


ORDER FORM	16th January 2004
Jay Fit System	
	Failure to use an order form for a Jay product order may result in delay or wrong shipment

Please send all orders to:
Fax: +44 (0)1384 44 66 44
Tel: +44 (0)1384 44 66 22

Invoice to:
 Name:
 Street:
 Town:
 Postal Code:
 Country:
 Telephone: _____ Fax: _____

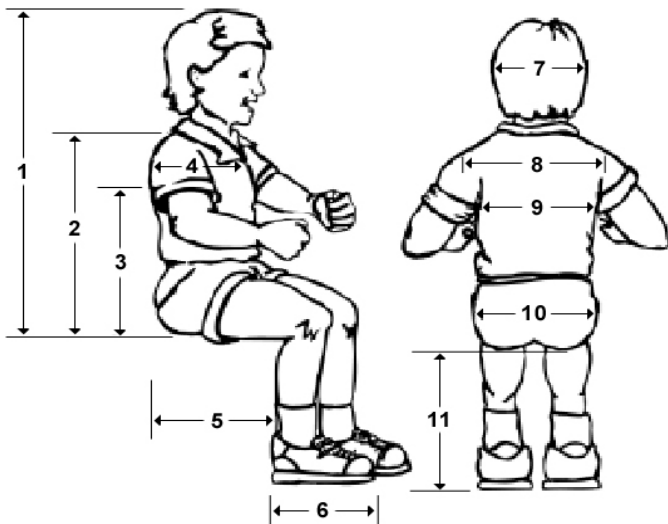
Ship to:
 Name:
 Street:
 Town:
 Postal Code:
 Country:
 Telephone: _____ Fax: _____

Order Date:
 Purchase Order (Repeat on all pages):
 Number Required:

Marked for:
 Sunrise Order No:

Please fill boxes, do not tick = Standard = Option

N/C = No Cost Option Std = Standard



Client Measurements

Inches	cm	
		1 Top of head to sea
		2 Top of shoulder to sea
		3 Underarm to sea
		4 Trunk depth
		5 Actual sitting depth
		6 Foot length
		7 Width of head
		8 Shoulder width
		9 Chest width
		10 Hip width
		11 Left lower leg length
		12 Right lower leg length

Wheelchair Information

Manufacturer	
Model:	
Frame width:	
Seat depth:	
Back height/style:	

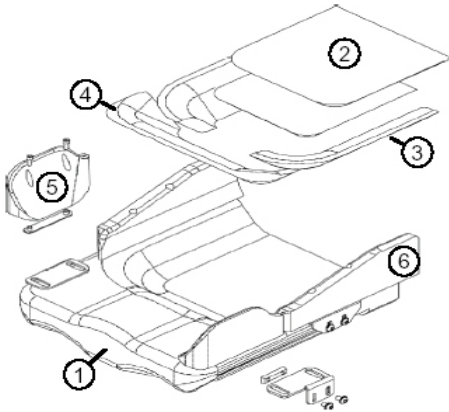
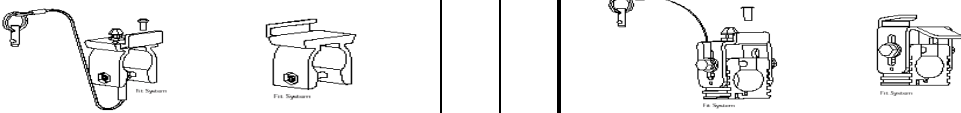
Client Information

Age:	
Diagnosis:	
Height:	
Weight:	

Notes: _____

Jay Fit System

Purchase Order (Repeat on all pages):

	£	€		£	€	TOTAL												
ADJUSTABLE CONTOUR SEAT (Includes set of anterior well reducers*, one pair of lateral well reducers & inner cover)																		
Caution: Ensure specification includes seat width/depth, outer cover and seat attaching hardware																		
																		
<p>*No. of anterior well reducers in sets by seat depth</p> <table border="1" style="width:100%; border-collapse: collapse;"> <thead> <tr> <th>Seat depth</th> <th>Anterior well reducers</th> </tr> </thead> <tbody> <tr> <td>8" - 12"</td> <td>2</td> </tr> <tr> <td>9" - 14"</td> <td>3</td> </tr> <tr> <td>11" - 16"</td> <td>3</td> </tr> <tr> <td>13" - 18"</td> <td>4</td> </tr> <tr> <td>15" - 20"</td> <td>4</td> </tr> </tbody> </table>							Seat depth	Anterior well reducers	8" - 12"	2	9" - 14"	3	11" - 16"	3	13" - 18"	4	15" - 20"	4
Seat depth	Anterior well reducers																	
8" - 12"	2																	
9" - 14"	3																	
11" - 16"	3																	
13" - 18"	4																	
15" - 20"	4																	
SEAT WIDTH & DEPTH (Seat width is 1" narrower than frame width) ① (Please mark two boxes)																		
<input type="checkbox"/> Frame width 10" Seat depth: <input type="checkbox"/> 8" - 12" <input type="checkbox"/> 9" - 14" <input type="checkbox"/> Frame width 12" Seat depth: <input type="checkbox"/> 8" - 12" <input type="checkbox"/> 9" - 14" <input type="checkbox"/> 11" - 16" <input type="checkbox"/> Frame width 14" Seat depth: <input type="checkbox"/> 9" - 14" <input type="checkbox"/> 11" - 16" <input type="checkbox"/> 13" - 18"	365	594	<input type="checkbox"/> Frame width 16" Seat depth: <input type="checkbox"/> 11" - 16" <input type="checkbox"/> 13" - 18" <input type="checkbox"/> 15" - 20" <input type="checkbox"/> Frame width 18" Seat depth: <input type="checkbox"/> 11" - 16" <input type="checkbox"/> 13" - 18" <input type="checkbox"/> 15" - 20"	365	594	405	659											
OUTER COVER (Please mark one box)																		
<input type="radio"/> Air exchange (Black only) <input type="checkbox"/> Incontinent - Black <input type="checkbox"/> Incontinent - Red	Std N/C 20	Std N/C 33	<input type="checkbox"/> Incontinent - Blue <input type="checkbox"/> Incontinent - Pink <input type="checkbox"/> Incontinent - Purple	20 20 20	33 33 33													
SEAT ATTACHING HARDWARE KITS (Please select one kit & one tube diameter)																		
<input type="checkbox"/> Adjustable drop hooks Tube Diameter: <input type="checkbox"/> 7/8" or 3/4" <input type="checkbox"/> 1" <input type="checkbox"/> Standard quick mount Tube Diameter: <input type="checkbox"/> 7/8" or 3/4" <input type="checkbox"/> 1"	30	49	<input type="checkbox"/> Adjustable quick mount Tube Diameter: <input type="checkbox"/> 7/8" or 3/4" <input type="checkbox"/> 1"	90	146	120	195											
																		
WELL INSERTS (Each layer is 1/2" thick, total well depth 1 1/2") (Please provide total cost in Total Column) ②																		
		Polyurethane Foam			Conform													
Top	<input type="checkbox"/> Soft	<input type="checkbox"/> Medium	<input type="checkbox"/> Firm	<input type="checkbox"/> Conform														
Middle	<input type="checkbox"/> Soft	<input type="checkbox"/> Medium	<input type="checkbox"/> Firm	<input type="checkbox"/> Conform														
Bottom	<input type="checkbox"/> Soft	<input type="checkbox"/> Medium	<input type="checkbox"/> Firm	<input type="checkbox"/> Conform														
<input type="checkbox"/> Polyurethane foam (See table above)	16 ea	26 ea	<input type="checkbox"/> Conform (See table above)	24 ea	39 ea													
Well Options:																		
<input type="checkbox"/> Fluid pad	140	228	<input type="checkbox"/> Additional anterior well reducers (Pair) ④	24	39													
<input type="checkbox"/> Additional lateral well reducers (Pair) ③	48	78	<input type="checkbox"/> No well inserts	N/C	N/C													
ADJUSTABLE CONTOUR LATERAL SUPPORTS																		
<input type="checkbox"/> Adjustable contour lateral <u>thigh</u> supports (Pair) ⑤ Fixed Brackets: <input type="checkbox"/> 0" - 1" Inset OR <input type="checkbox"/> 1/2" Offset - 1/2" Inset Contour Pads: <input type="checkbox"/> 2" Height OR <input type="checkbox"/> 3" Height			95	155	<input type="checkbox"/> Adjustable contour lateral <u>pelvic</u> supports (Pair) ⑥ Fixed Brackets: <input type="checkbox"/> 0" - 1" Inset OR <input type="checkbox"/> 1/2" Offset - 1/2" Inset Contour Pads: <input type="checkbox"/> 2" Height OR <input type="checkbox"/> 3" Height		95	155										
Width between lateral thigh supports by bracket			Width between lateral pelvic supports by bracket															
Frame width	0" - 1" Inset	1/2" Offset - 1/2" Inset	Frame width	0" - 1" Inset	1/2" Offset - 1/2" Inset													
10"	8.5" - 6.5"	9.5" - 7.5"	10"	6.75" - 5.75"	7.75" - 6.75"													
12"	10.5" - 8.5"	11.5" - 9.5"	12"	8.75" - 7.75"	9.75" - 8.75"													
14"	12.5" - 10.5"	13.5" - 11.5"	14"	10.75" - 9.75"	11.75" - 10.75"													
16"	14.5" - 12.5"	15.5" - 13.5"	16"	12.75" - 11.75"	13.75" - 12.75"													
18"	16.5" - 14.5"	17.5" - 15.5"	18"	14.75" - 13.75"	15.75" - 14.75"													

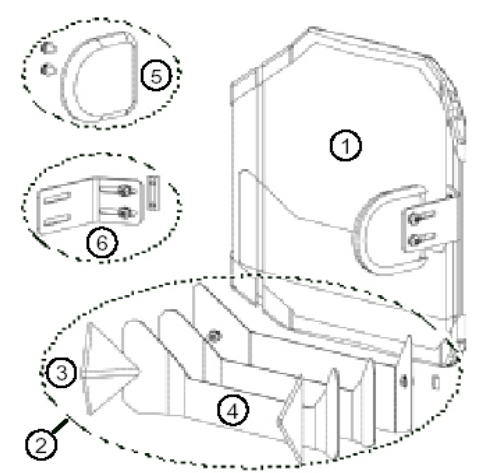
Purchase Order (Repeat on all pages):

	£	€		£	€	TOTAL
ANTERIOR PELVIC SUPPORTS (Hip belt) (Please mark one box if applicable)						
Side Squeeze Buckle (Non padded):			Aircraft Lift Latch:			
<input type="checkbox"/> Strap width 1"	32	52	<input type="checkbox"/> Strap width 2" (Non padded)	89	145	
<input type="checkbox"/> Strap width 1 1/2"	37	60	<input type="checkbox"/> Strap width 2" (Quad loop)	100	163	
<input type="checkbox"/> Strap width 2"	42	68	<input type="checkbox"/> Strap width 2" (Padded)	121	197	
Dual Adjustable Side Squeeze Buckle (Padded):						
<input type="checkbox"/> Strap width 1"	69	112				
<input type="checkbox"/> Strap width 1 1/2"	79	129				
<input type="checkbox"/> Strap width 2"	89	145				
FLIP-DOWN MEDIAL THIGH SUPPORTS (Abductors - Include flip down bracket, pads and cover)						
Pad Size (please mark one box):			Cover Colour (please mark one box):			
<input type="checkbox"/> 3" (H) x 4" (L)	150	244	<input type="checkbox"/> Black	Std	Std	
<input type="checkbox"/> 3" (H) x 6" (L)	150	244	<input type="checkbox"/> Red	10	16	
<input type="checkbox"/> 4" (H) x 6" (L)	150	244	<input type="checkbox"/> Blue	10	16	
<input type="checkbox"/> 4" (H) x 8" (L)	150	244	<input type="checkbox"/> Pink	10	16	
			<input type="checkbox"/> Purple	10	16	
ADDITIONAL COMPONENTS						
ADDITIONAL SEAT OUTER COVERS (mark one box if applicable)						
<input type="checkbox"/> Air exchange (Black only)	50	81	<input type="checkbox"/> Incontinent (Pink)	70	114	
<input type="checkbox"/> Incontinent (Black)	50	81	<input type="checkbox"/> Incontinent (Purple)	70	114	
<input type="checkbox"/> Incontinent (Red)	70	114				
<input type="checkbox"/> Incontinent (Blue)	70	114				
ADDITIONAL MEDIAL THIGH SUPPORT COVER (mark one box if applicable)						
<input type="checkbox"/> Additional cover	42	68	Cover Colour (please mark one box):			
			<input type="checkbox"/> Black	Std	Std	
			<input type="checkbox"/> Red	10	16	
			<input type="checkbox"/> Blue	10	16	
			<input type="checkbox"/> Pink	10	16	
			<input type="checkbox"/> Purple	10	16	
ADDITIONAL SEAT ATTACHING HARDWARE KITS (Please select one kit & one tube diameter)						
<input type="checkbox"/> Adjustable drop hooks	30	49	Tube Diameter:			
<input type="checkbox"/> Standard quick mount	90	146	<input type="checkbox"/> 7/8" or 3/4"			
<input type="checkbox"/> Adjustable quick mount	120	195	<input type="checkbox"/> 1"			

Caution: Ensure specification includes seat width/depth, outer cover and seat attaching hardware

Sub-total Price:	£	€
-------------------------	---	---

Purchase Order (Repeat on all pages):

		£	€			£	€	TOTAL
ADJUSTABLE CONTOUR BACK (Includes foam insert and cover)								
Caution: Ensure specification includes back width/height, outer cover and seat attaching hardware								
								
BACK WIDTH & DEPTH (Back width is 1" narrower than frame width) ① (Please mark two boxes)								
<input type="checkbox"/> Frame width 10" Back height: <input type="checkbox"/> 10" <input type="checkbox"/> 12" <input type="checkbox"/> 14"	365	594	<input type="checkbox"/> Frame width 16" Back height: <input type="checkbox"/> 14" <input type="checkbox"/> 16" <input type="checkbox"/> 18"	365	594			
<input type="checkbox"/> Frame width 12" Back height: <input type="checkbox"/> 12" <input type="checkbox"/> 14" <input type="checkbox"/> 16"	365	594	<input type="checkbox"/> Frame width 18" Back height: <input type="checkbox"/> 14" <input type="checkbox"/> 16" <input type="checkbox"/> 18"	405	659			
<input type="checkbox"/> Frame width 14" Back height: <input type="checkbox"/> 12" <input type="checkbox"/> 14" <input type="checkbox"/> 16"	365	594	<input type="checkbox"/> Frame width 18" Back height: <input type="checkbox"/> 20" <input type="checkbox"/> 22"					
<input type="checkbox"/> 18" <input type="checkbox"/> 20"			<input type="checkbox"/> 14" <input type="checkbox"/> 16" <input type="checkbox"/> 18"					
<input type="checkbox"/> 18" <input type="checkbox"/> 20"			<input type="checkbox"/> 20" <input type="checkbox"/> 22"					
OUTER COVER (Please mark one box)								
<input type="checkbox"/> Air exchange (Black only)	N/C	N/C	<input type="checkbox"/> Incontinent - Blue	20	33			
<input type="radio"/> Incontinent - Black	Std	Std	<input type="checkbox"/> Incontinent - Pink	20	33			
<input type="checkbox"/> Incontinent - Red	20	33	<input type="checkbox"/> Incontinent - Purple	20	33			
CUSTOM EMBROIDERY (12 letter limit, n/a with air exchange covers) (Select one colour if applicable)								
<input type="checkbox"/> Name: _____	45	73	<input type="checkbox"/> Blue Stitching	N/C	N/C			
Colour:			<input type="checkbox"/> Pink Stitching	N/C	N/C			
<input type="checkbox"/> Black Stitching	N/C	N/C	<input type="checkbox"/> Purple Stitching	N/C	N/C			
<input type="checkbox"/> Red Stitching	N/C	N/C	<input type="checkbox"/> Green Stitching	N/C	N/C			
			<input type="checkbox"/> Yellow Stitching	N/C	N/C			
BACK ATTACHING HARDWARE KITS (Please select one kit & two tube diameters)								
<input type="checkbox"/> Adjustable hooks	30	49	Upper Tube Diameter:					
<input type="checkbox"/> Adjustable quick mount (Transit approved for Zippie TS ONLY)	120	195	<input type="checkbox"/> 3/4" <input type="checkbox"/> 7/8" <input type="checkbox"/> 1"					
			Lower Tube Diameter:					
			<input type="checkbox"/> 3/4" <input type="checkbox"/> 7/8" <input type="checkbox"/> 1"					
LATERAL/POSTERIOR PELVIC SUPPORT KIT (Please provide total cost in Total Column)								
<input type="checkbox"/> Lateral/posterior pelvic support kit (Kit includes mounting plate, narrow and wide posterior contour strip and choice of a pair of large or small lateral pyramids) ②	35	57	Additional Lateral Pyramids: ③					
Lateral Pyramids (please mark one box if applicable):			<input type="checkbox"/> Small (Pair)	19	31			
<input type="checkbox"/> Small <input type="checkbox"/> Large			<input type="checkbox"/> Large (Pair)	19	31			
			Additional Posterior Contour Strips: ④					
			<input type="checkbox"/> Narrow	19	31			
			<input type="checkbox"/> Wide	19	31			

