

Invoice to:  
Name:  
Street:  
Town: Postal code:  
E-Mail:  
Tel: Fax:

Deliver to:  
Name:  
Street:  
Town: Postal code:  
E-Mail:  
Tel: Fax:

Order date:  
Purchase order:  
Number required:



Marked for:  
Sunrise order no:

All Sunrise Medical wheelchairs and powerchairs are compatible with **JAY** cushions and backrests, including our new range of J3 backrests launching in summer 2008



Visit [www.jay3seating.eu](http://www.jay3seating.eu) or contact your local ASM for more information

- = Standard
- = Cost option
- L = Extended delivery time
- = No cost option

**Customer service fax number 01384 446644**

**Max. user weight: 140 kg**

**USER WEIGHT**  kg

Mandatory information to ensure correct configuration

Detail of options are now available in the NEW accessory brochure  
**Part. no.: SOP- 054001**

**Please consult our colour catalogue, to review your colour choice at the end of the order form**

The max user weight is 140kg; however options: Platform footplates (2102) and suspension (5184), are not compatible with 140kg (see page 3).

**Basic price £ 1,265 € 2,027**

**CLIENT MEASUREMENT**

**Seat width in cm**

	30	32	34	36	38	40	42	44	46	48	50
30	○	○	○	○	○	○	○	□	□	□	□
32	○	○	○	○	○	○	○	□	□	□	□
34	○	○	○	○	○	○	○	□	□	□	□
36	○	○	○	○	○	○	○	□	□	□	□
38	○	○	○	○	○	○	○	□	□	□	□
40	○	○	○	○	○	○	○	□	□	□	□
42	○	○	○	○	○	○	○	□	□	□	□
44	□	□	□	□	□	□	□	□	□	□	□
46	□	□	□	□	□	□	□	□	□	□	□
48	□	□	□	□	□	□	□	□	□	□	□
50	□	□	□	□	□	□	□	□	□	□	□

**Max weight 115 kg:  
until SW 42 and SD 42**

**Max weight 140 kg:  
from SW 44 and SD 44**

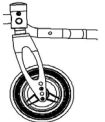
Please note the procedure of the measurement at the back

All measurements are in cm and without cushion

**Upcharge:**  
reinforced **£27.00**  
for 140 kg **€ £43.00**

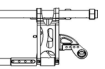
**Front seat height in cm**

		Fork	30	32	33	34	35	36	37	38	40	41	42	43	44	45	46	47	48	49	50	51	52	53	54	55	56	57			
Front Castor	3"	72mm																													
		118mm																													
	138mm	Your rear seat height can only be between 0 cm and 13 cm below your front seat height:																													
	4"	118mm	i.e. rear seat height CANNOT be above front seat height																												
	138mm	i.e. rear seat height CANNOT be more than 13 cm below front seat height																													
5"	118mm	. More info, see first back page																													
	138mm	. More info, see first back page																													
6"	118mm	. More info, see first back page																													
	138mm	. More info, see first back page																													



**Rear seat height in cm**

		Wheels	30	32	33	34	35	36	37	38	39	40	41	42	43	44	45	46	47	48	49	50	51	52	53	54	55	56	
Rear wheel	22"																												
	24"																												
	26"																												




# QUICKIE NEON FIXED FRONT

● = Standard    ○ = No cost option    □ = Cost option

£

€

SEAT UPHOLSTERY							
<b>Seat sling</b>		<i>(with pad)</i>			Accessory Brochure page		
3002	● 1 Utility bag				1.02		4
3006	□ With two utility bags	<i>(only from SW 38 cm)</i>			£31	€ 49	4
3005	□ Catheter bag	<i>(only from SW 34 cm)</i>			£53	€ 85	4
3001	○ Without seat sling				-£23	-€ 37	
<b>For JAY Seating, see Jay order form</b>							
<b>Seat cushion with cover, black</b>							
3026	a) Foam composite	Thickness:	□ 3 cm	□ 5 cm	<i>(medium)</i>	£36	€ 57
3027	b) Latex	Thickness:	□ 5 cm	□ 8 cm	<i>(very soft)</i>	£36	€ 57
<b>Seat cushion with water resistant / breathable cover</b>							
3028	a) Foam composite	Thickness:	□ 3 cm	□ 5 cm	<i>(medium)</i>	£71	€ 116
3029	b) Latex	Thickness:	□ 5 cm	□ 8 cm	<i>(very soft)</i>	£71	€ 116
3010	□ Solid seat padded					£105	€ 170
1404	Medical lamb skin (1)	□ 10 (35x85 cm)	□ 12 (40x85 cm)	□ 14 (45x85 cm)		£105	€ 170
<b>Seat accessories</b>							
4049	□ Positioning belt with lock					£26	€ 41
3003	□ Spare cushion cover with zipper					£28	€ 44
<p>All Sunrise Medical wheelchairs and powerchairs are compatible with <b>JAY</b> cushions and backrests, including our new range of J3 backrests launching in summer 2008</p> <p>Visit <a href="http://www.jay3seating.eu">www.jay3seating.eu</a> or contact your local ASM for more information</p> 							
<b>BACKREST</b>							
<b>Backrest (range)</b>	<b>25 - 30</b>	<b>30 - 35</b>	<b>35 - 40</b>	<b>40 - 47.5</b>			
<b>Back height set at (cm)</b>	○ 25	○ 30	○ 35	○ 40			
	○ 27.5	○ 32.5	○ 37.5	○ 42.5			
	○ 30	○ 35	○ 40	○ 45			

<b>Backrest frame</b>							
4017	○ Fixed, non angle adjustable (90°), non folding backrest	<b>(2)</b>					6
4018	○ Non folding angle adjustable		<i>(74° to 102° adjustable)</i>	<i>(-16° to +12°)</i>			6
4029	○ Foldable, angle adjustable		<i>(74° to 102° adjustable)</i>	<i>(-16° to +12°)</i>			7
4020	□ Seat depth growth (max 5 cm)		<i>(max. user weight: 70 kg)</i>	<i>(not with 90° fixed back 4017)</i>	£65	€ 108	11
<b>Backrest frame accessories</b>							
4037	□ Stabilizing bar		<i>(not in combination with 4051, 4054 &amp; 4024)</i>			£49	€ 80
4041	□ Folding stabilizer bar	<b>(3)</b>	<i>(not in combination with 4051, 4054 &amp; 4024)</i>			£71	€ 116
<b>Push handles</b>							
4054	○ Without push handles						
4051	○ Short						9
4022	○ Long						9
4024	□ Fold-down push handles	<b>(4)</b>	<i>(only up from BH 32,5 cm)</i>			£79	€ 128
4034	□ Height-adjustable push handles	<b>(5)</b>			£105	€ 170	9
4043	□ JAY Hardware height adj. Push handles	<b>(5)</b>			£105	€ 170	11
<b>Backrest upholstery</b>							
4032	○ Tension Adjustable backrest upholstery						8
4038	□ Tension Adjustable backrest with vented material		<i>(only in black)</i>			£61	€ 99
4031	□ Without back upholstery				-£23	-€ 37	
4025	□ Solid back, padded, suspended via back tube				£105	€ 171	8
<b>Headrest</b>							
4027	□ Headrest		<i>(not in combination with 4054, 4024, 4037, 4041 &amp; 4051)</i>			£114	€ 186
<b>Back upholstery accessories</b>							
4035	□ Back cushion foam composite		<i>(Thickness 3cm ;medium density)</i>			£61	€ 99
4036	□ Back cushion latex with cover		<i>(Thickness 5cm;very soft density)</i>			£61	€ 99

(1) : colour: black

(2): not in combination with seat growth (4020) and tubular padded armrest (4262)

(3): not with SW 30 - 36cm;

(4): from BH 30 cm; not with Headrest (4027); Height adj. Pushhandles (4034); stabilizing bar (4037)

(5): from BH 30 cm; problem can occur with safety belt with lock (4029)

NEONFF-EN-UK-04.02.2008-Rev 3a

For more information  
visit our webpage  
[www.sunrisemedical.com](http://www.sunrisemedical.com)

Price List Page: 50

# QUICKIE NEON FIXED FRONT

● = Standard    ○ = No cost option    □ = Cost option

£      €

ARMREST AND SIDEGUARDS					
Armrest <i>(choose only one option)</i>				Accessory Brochure page	
4246	<input type="checkbox"/>	Quad release for height adjustable armrest	£15	€ 24	13
4265	<input type="checkbox"/>	Padded armrest Quickie style (1)	£63	€ 103	13
4213	<input type="checkbox"/>	Fixed height armrest without pad (2)	£89	€ 145	12
4214	<input type="checkbox"/>	Fixed height armrest pad short (2)	£89	€ 145	12
4216	<input type="checkbox"/>	Height adjustable armrest pad short (2)	£110	€ 180	12
4217	<input type="checkbox"/>	Height adjustable armrest pad long (2)	£110	€ 180	12
4264	<input type="checkbox"/>	Single post armrest height adjustable Quickie style	£105	€ 171	13
Sideguards					
4229	<input type="checkbox"/>	Straight sideguard aluminium	£138	€ 223	14
4238	<input type="checkbox"/>	Straight sideguard aluminium with fender <i>(not in combination with rear height 35 - 38 cm with 24")</i>	£149	€ 243	14
4232	<input type="checkbox"/>	Straight sideguard carbon fibre with fender <i>(not in combination with rear height 35 - 38 cm with 24")</i>	£194	€ 316	14
4209	<input type="checkbox"/>	Therapy table, slide-on for SW 38 - 48 cm <i>(only for armrests with pad)</i>	£78	€ 125	
4263	<input type="checkbox"/>	Plastic sideguards detachable <i>(Quickie style)</i>	£101	€ 164	15
Sideguards options and accessories					
4225		Therapy table, flip-down for SW 34 - 50 cm <i>(only for height adjustable armrests with pad)</i>	£107	€ 174	
		Attachment: <input type="checkbox"/> right-hand <input type="checkbox"/> left-hand			
4233	<input type="checkbox"/>	Slide back option, straight aluminium <i>(sideguards only) (only with 4229 &amp; 4238)</i>	£40	€ 65	15

LEGREST & FOOTPLATES															
Footplates															
2131		Platform footrest angle & depth adjustable <i>(LLL from 37 - 48 cm)</i>			20										
	<input type="checkbox"/>	Aluminium board in frame colour <i>(not available SW 30cm)</i>	£40	€ 65	20										
	<input type="checkbox"/>	Composite footboard black													
2160	<input type="checkbox"/>	Auto - folding footboard <i>(LLL from 33 - 48 cm)</i>	£152	€ 248	20										
2133	<input type="checkbox"/>	Foot positioning plate <i>(only in combination with 2131, 2102 &amp; 2160)</i>	£37	€ 60	20										
2119	<input type="checkbox"/>	Platform footrest, aluminium <i>(angle and depth adjustable with horizontal calf strap)</i>	£84	€ 135	18										
2117	<input type="checkbox"/>	Platform footrest, aluminium with swing away mechanism <i>(only with 2119)</i>	£84	€ 135											
2102		High Mounted platform footplate (3) <i>(high mounted for lower leg length between 22 - 40 cm)</i>													
	<input type="checkbox"/>	Aluminium board in frame colour <i>(from SW36cm with 0 inset and SW40cm with 2 inset)</i>	£108	€ 176											
	<input type="checkbox"/>	Composite footboard black <i>(From SW32cm with 0 inset and SW36cm with 2 inset)</i>	£103	€ 166											
Lower leg length (LLL) <i>(Attention: LLL has to be 2,5 cm lower than seat height front)</i>															
<input type="checkbox"/>	22	<input type="checkbox"/>	23	<input type="checkbox"/>	24	<input type="checkbox"/>	25	<input type="checkbox"/>	26	<input type="checkbox"/>	27	<input type="checkbox"/>	28	<input type="checkbox"/>	29
<input type="checkbox"/>	30	<input type="checkbox"/>	31	<input type="checkbox"/>	32	<input type="checkbox"/>	33	<input type="checkbox"/>	34	<input type="checkbox"/>	35	<input type="checkbox"/>	36	<input type="checkbox"/>	37
<input type="checkbox"/>	38	<input type="checkbox"/>	39	<input type="checkbox"/>	40	<input type="checkbox"/>	41	<input type="checkbox"/>	42	<input type="checkbox"/>	43	<input type="checkbox"/>	44	<input type="checkbox"/>	45
<input type="checkbox"/>	46	<input type="checkbox"/>	47	<input type="checkbox"/>	48	<input type="checkbox"/>	49	<b>All measurements are in cm</b>							

FRAME					
<input type="checkbox"/>	Standard folding frame				
1270	<input type="checkbox"/>	Frame angle UK 85° (EU 95°)			17
1241	<input type="checkbox"/>	Frame angle UK 75° (EU 105°)			17
1280		Frame inset <i>(please refer to the frame inset table)</i>			17
	<input type="checkbox"/>	0 cm (up to 46cm only)			17
	<input type="checkbox"/>	2 cm (from 34cm only)			17

AXLE PLUG AND CENTER OF GRAVITY (COG) <i>(all measurements are in cm) (choose only one option)</i>						
Choose only one of the 4 choices <b>(bold number shows factory presetting)</b>						
(axle plate position)	A	B	C	D (4)		
5237	<b>Short</b>	<input type="checkbox"/> 7	<input type="checkbox"/> 9	<input type="checkbox"/> 11	<input type="checkbox"/> 13	21
5238	<b>Standard</b>	<input type="checkbox"/> 2; <b>3</b> ; 4	<input type="checkbox"/> 4; <b>5</b> ; 6	<input type="checkbox"/> 6; <b>7</b> ; 8	<input type="checkbox"/> 8; <b>9</b> ; 10	21
5235	<b>Amputee</b>	<input type="checkbox"/> 1; -1; -3	<input type="checkbox"/> 3; <b>1</b> ; -1	<input type="checkbox"/> 5; <b>3</b> ; 1	<input type="checkbox"/> 7; <b>5</b> ; 3	£103    € 171    21
5234	<b>Handbike (X)</b>	<input type="checkbox"/> 2	<input type="checkbox"/> <b>4</b>	<input type="checkbox"/> 6	<input type="checkbox"/> 8	£168    € 274    21
5184	<b>Suspension (XX)</b>	<input type="checkbox"/> 2	<input type="checkbox"/> <b>4</b>	<input type="checkbox"/> 6	<input type="checkbox"/> 8	£269    € 450    21
	<b>Weight range</b>	<input type="checkbox"/> less 45 kg	<input type="checkbox"/> 45 - 86 kg	<input type="checkbox"/> 86 -115 kg		21
<i>(X) pls choose camber for both axles (not available 30-32cm and 48-50cm SW) (all measurements are in cm)</i>						
<i>(XX) Not in combination with drumbreak; Anti tip, tip assist, travel wheels Please pick customer's weight, if suspension is chosen</i>						

(1):	<b>not in combination with BH 25 - 30 cm; not with Fixed, non angle adj., non folding backrest (4017)</b>	For more information visit our webpage <a href="http://www.sunrisemedical.com">www.sunrisemedical.com</a> Price List Page: 51
(2):	<b>swing back, detachable. Not in combination with back height 25 - 30 cm and SD 30 - 36 cm</b>	
(3):	<b>Angle and depth adjustable; max user weight 75kg</b>	
(4):	<b>not in combination with fixed height/ adjustable armrest without/ short/ long (4213; 4214; 4216; 4217)</b>	
NEONFF-EN-UK-04.02.2008-Rev 3a		

# QUICKIE NEON FIXED FRONT

● = Standard    ○ = No cost option    □ = Cost option

£

€

Frame accessories <i>(choose either tip assist or anti- tip tubes, not both)</i>				Accessory Brochure page		
<b>Tip assist (step tube)</b>						
1230	<input type="checkbox"/>	Left <input type="checkbox"/> Right	<i>(price each)</i>	£17	€ 30	35
1205	<input type="checkbox"/>	Crutch holder with Velcro	<i>(only in combination with 1230)</i>	£40	€ 63	34
<b>Anti-tip tubes, swing-away</b>						
1244	<input type="checkbox"/>	Left <input type="checkbox"/> Right	<i>(price each, not with 1247)</i>	£52	€ 85	34
1244	<input type="checkbox"/>	Pair	<i>(not with 1247)</i>	£104	€ 170	34
1247	<input type="checkbox"/>	Transit wheel	<i>(not with 1244, 1230)</i>	£118	€ 193	35
1281	<input type="checkbox"/>	Frame protection		£39	€ 63	35

FORK <i>(compare with your choice on the first page)</i>							
● Fork							
5854	<input type="checkbox"/>	Castor pin lock	<i>(only with fork 118 mm)</i>	£48	€ 79		
5826	<input type="checkbox"/>	Quick release axle for castors	<i>(see seat height chart on page 6 for no gos)</i>	£130	€ 212		

STANDARD CASTOR <i>(compare with your choice on the first page)</i>							
5812	<input type="radio"/>	Solid				24	
5823	<input type="radio"/>	Soft solid	<i>(only for 6")</i>			25	
5838	<input type="radio"/>	Pneumatic	<i>(only for 7")</i>			24	
<b>Light ups</b>							
5850	<input type="checkbox"/>	Solid	<i>(only for 3" and 4")</i>	£39	€ 63	25	
<b>Castor with aluminium rim</b>							
5852	<input type="checkbox"/>	Solid	<i>(only for 4" and 5")</i>	£48	€ 79	25	

REAR WHEELS <i>(compare with your choice on the first page; choose only one wheel type)</i>							
5171	<input type="radio"/>	Straight spoked	<i>(pair) (not with 26")</i>			26	
5172	<input type="radio"/>	Cross spoked	<i>(pair)</i>			26	
5137	<input type="radio"/>	Design wheel	<i>(pair) (not with 22")</i>			27	
5140	<input type="radio"/>	Light weight wheel	<i>(pair) (not with 20")</i>			27	
5159	<input type="checkbox"/>	Spinergy wheels (1)	<i>(pair) (not with 20" &amp; 22")</i>	£295	€ 423	27	
5154	<input type="checkbox"/>	Rear wheel with drum brake (2)	<i>(pair) (only 22" &amp; 24" and not with 2" camber)</i>	£217	€ 354		
5162	<input type="checkbox"/>	Mountain Bike wheel	<i>(only with 24", mountainbike tyres &amp; aluminium rim, black coated)</i>	£198	€ 323		
5162	<input type="checkbox"/>	Additional mountain bike wheel pair	<i>(only with 24" &amp; mountainbike tyres )</i>	£298	€ 485		

TYRES <i>Not available for Mountain Bike Wheels (choose only one tyre type)</i>							
5125	<input type="radio"/>	Standard slick				28	
5124	<input type="radio"/>	Standard profile	<i>(only 22" &amp; 24")</i>			28	
5118	<input type="radio"/>	Light weight	<i>(only light weight wheel; 24" only)</i>			28	
5168	<input type="radio"/>	24" Solid tyres (3)				28	
5233	<input type="radio"/>	22" x 13 / 8" puncture-proof (3)				28	
5167	<input type="checkbox"/>	24" Two grip "down town"		£56	€ 91	29	
5164	<input type="checkbox"/>	24" Marathon plus evolutionm (puncture resistant)		£47	€ 77	29	

HANDRIM <i>Not available for Mountain Bike or Spinergy wheels</i>							
5142	<input type="radio"/>	Aluminium silver anodized				30	
5144	<input type="radio"/>	Aluminium silver powdercoated				30	
5183	<input type="checkbox"/>	Coloured aluminium pushrim. colour code: .....	(3)	£38	€ 62	30	
5174	<input type="radio"/>	Stainless steel				30	
5122	<input type="checkbox"/>	Titanium	<i>(not with 22" wheels)</i>	£111	€ 181	30	
5121	<input type="checkbox"/>	Titanium clear powdercoated	<i>(not with 22" wheels)</i>	£111	€ 181	30	
5120	<input type="checkbox"/>	Supergrip	<i>(Not on lightweight wheels &amp; only 24" wheels)</i>	£139	€ 225	30	
5163	<input type="checkbox"/>	Vertical projection pushrim	<i>(Not on lightweight wheels &amp; only 24" wheels)</i>	£133	€ 215		
Hand rim mounting ● Standard = 17mm    ○ Wide = 27mm (3)							
○ Close = 7mm <i>(only with stainless steel)</i>							
5178	<input type="checkbox"/>	Handrim cover	<i>(only 22" and 24")</i>	£55	€ 90		

WHEEL CAMBER <i>(choose only one option)</i>							
5161	<input type="radio"/>	0°	Handbike axle camber setting ○ 0° (4)				
5161	<input type="radio"/>	2° <i>(not with drum brake)</i>	○ 2° (4)				
5161	<input type="radio"/>	4°	○ 4° (4)				

NEONFF-EN-UK-04.02.2008-Rev 3a

- (1): *not in combination with spokeguard (18 spokes (black); only alum.; hard anodized handrim)*  
 (2): *for care person, quick- release axle*  
 (3): *not with light weight wheel (5140)*  
 (4): *(Std axle =0 deg, handbike (HB) =2 deg)(std axle =2 deg, HB =0 or 4 deg)(std axle = 4 deg, HB =2 deg)*

For more information  
 visit our webpage  
[www.sunrisemedical.com](http://www.sunrisemedical.com)

**Please follow measuring method:**

The following method is recommended on the basis of extensive practical experience. Deviations are possible in individual instances

**Seat width:**

**a) For the user:**

Allow space of sideguard to pass vertically between hip and sideguard on each side (approx. 1 - 2 cm altogether).

**b) On the wheelchair:**

From outside frame tube to outside frame tube

**Seat depth:**

**a) For the user:**

When sitting upright: leave space for 2-3 fingers between front edge of seat upholstery and back of knee (approx. 3-6 cm). Care must be taken with adjustable upholstery.

**b) On the wheelchair:**

From back tube to front of seat upholstery.

**Back height:**

**a) For the user:**

Measured from the seat, including cushion, to **no more** than one finger (1 - 2 cm) below the lower shoulderblade.

**Important!** The back height depends on the degree of disability.

**b) On the wheelchair:**

From seat tube to front edge of backrest upholstery.

**Note:** The user's ability to sit upright has a major influence on the back height and it can therefore differ considerably.

**Lower leg length:**

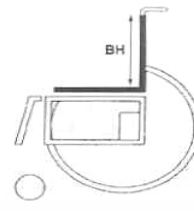
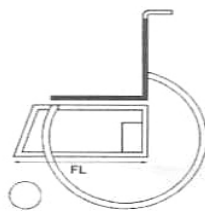
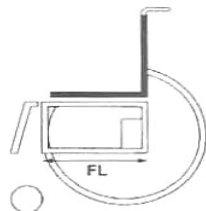
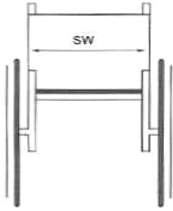
**a) For the user:**

With legs angled at right angles, from back of knee to bottom of shoe sole.

**b) On the wheelchair:**

From front of seat to top of footrest.

**Remember:** to include the cushion height



**Overall width:**

Overall width:

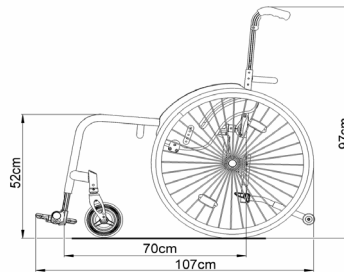
Max overall height 97 cm  
Max overall length 107 cm

**Overall width with 24"**

For 0° camber: SW+20 cm  
For 2° camber: SW+22 cm  
For 4° camber: SW+28 cm  
With drum brake +2 cm

**26"**

SW+20 cm  
SW+26 cm  
SW+32 cm



Setting of the chair above is: SD 38 cm and 24" wheel

**Weights:**

Minimum weight: approx 9.7 kg

**Folded size:**

with rear wheels approx. 29 cm  
without rear wheels approx. 25 cm

Possible seat height settings. **IMPORTANT: measured without seat cushion!**

**NEON front seat height matrix**

NEON Front seat height matrix in cm				
Std chair 40 x 40 cm, 0° camber, 6 cm CoG				
3" solid	72 mm	41	(1)	
	72 mm	42	(1)	
3" solid	118 mm	45	(1)	
	118 mm	46		
	118 mm	47		
	138 mm	47	(1)	
	138 mm	48		
4" solid	118 mm	44	(1)	
	118 mm	45		
	118 mm	46	(1)	
	118 mm	47		
	118 mm	48		
	138 mm	46	(1)	
	138 mm	47		
	138 mm	48	(1)	
5" solid	118 mm	47	(1)	
	118 mm	48		
	118 mm	49		
	138 mm	48	(1)	
	138 mm	49		
6" soft solid	118 mm	49	(1)	
	118 mm	50		
	138 mm	49	(1)	
	138 mm	50		
	138 mm	51		

NEON rear seat height matrix					
in cm					
Rear wheel size					
	20"	22"	24"	26"	
min	30 cm	32 cm	35 cm	37 cm	
max	43 cm	45 cm	48 cm	50 cm	

**NOTES:**

Max seat height difference rear to front is 13 cm.  
No negative seat angle is possible

**Please note that the matrix is based on a standard configuration**

**Std chair 40 x 40 cm, 0° camber, 6 cm CoG**

**Seat angle of 8°**

All changes in the configuration might change the seat heights.  
Manufacturing tolerances of +/- 1 cm

Please note seat height limitations for the aluminium sideguard with fender and the carbon fiber with fender:

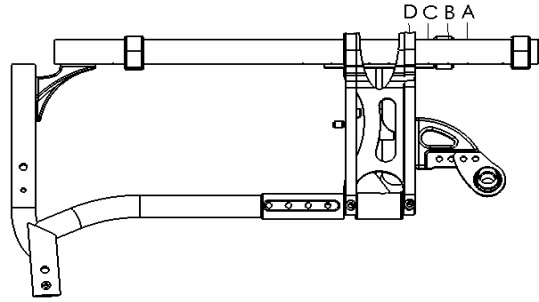
- 22" rear wheels and rear seat are not possible heights lower than 36 cm
- 24" rear wheels and rear seat are not possible heights lower than 38 cm
- 26" rear wheels and rear seat heights lower than 40 cm are not possible

**Frame inset table**

Seat width		30	32	34	36	38	40	42	44	46	48	50
Inset												
0 cm		24	26	28	30	32	34	36	38	40	n.a	n.a
2cm		n.a	n.a	24	26	28	30	32	34	36	38	40

(1) not possible with quick release castor fork

## Center Of Gravity (COG)



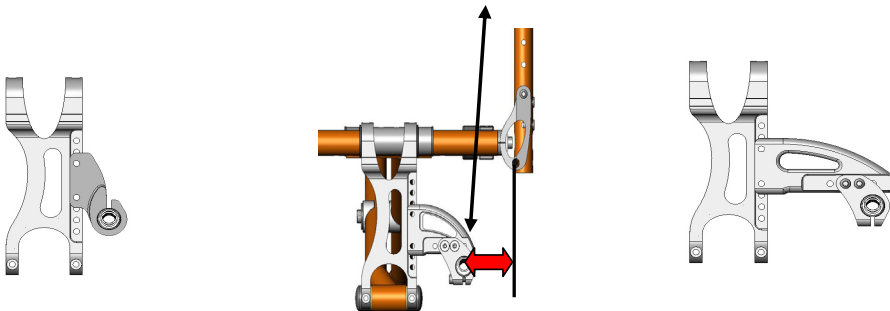
Measurement are taken from: Back tube to the middle of the axle

(axle plate position)		very stable	stable	active	very active
		A	B	C	D*
5237	<b>Short</b>	7 cm	9 cm	11 cm	13 cm
5238	<b>Standard</b>	2; <b>3</b> ; 4 cm	4; <b>5</b> ; 6 cm	6; <b>7</b> ; 8 cm	8; <b>9</b> ; 10 cm
5235	<b>Amputee</b>	1; -1; -3 cm	3; <b>1</b> ; -1 cm	5; <b>3</b> ; 1 cm	7; <b>5</b> ; 3 cm
5234	<b>Handbike</b>				
5184	<b>Suspension</b>	2 cm	4 cm	6 cm	8 cm
	<b>Weight range</b>	0 - 45kg	45 - 86 kg	86 - 115 kg	

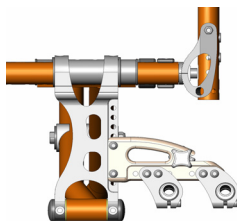
(Position B and the bold numbers are taken as standard if nothing was chosen)

(Position D\* is not possible with fixed/adjustable height armrest)

All measurements are in cm



e.g.: Position B is equivalent to 5cm center of gravity



Handbike axle - please make sure the camber is chosen (page 4.)

# QUICKIE NEON FIXED FRONT

● = Standard    ○ = No cost option    □ = Cost option

£

€

Spoke guard						Accessory Brochure page			
5131	<input type="checkbox"/>	Transparent	<i>(only available in 22", 24" &amp; 26")</i>			£73	€ 119		
5127	<input type="checkbox"/>	Rotation	5128 <input type="checkbox"/> Graphic	5129 <input type="checkbox"/> Bibbo	<i>(only available in 22" &amp; 24")</i>		£73	€ 119	31
5130	<input type="checkbox"/>	Fantasy	5134 <input type="checkbox"/> Galactica	5135 <input type="checkbox"/> Cheese	<i>(only available in 22" &amp; 24")</i>		£73	€ 119	31


WHEEL LOCKS						<i>(choose only one option)</i>		
6009	<input type="radio"/>	Standard wheel lock						32
6008	<input type="checkbox"/>	Knee lever wheel lock				£34	€ 55	32
6005	<input type="checkbox"/>	Grade aid for high mount wheelback				£49	€ 80	33
6004	<input type="radio"/>	Scissor wheel lock	<i>(available from SD 40 cm)</i>					33
6003	<input type="radio"/>	C-wheel lock						33
6010		One arm wheel lock with extension	<input type="checkbox"/> left	<input type="checkbox"/> right		£148	€ 241	
Wheel lock accessories								
6016	<input type="checkbox"/>	Extension for knee lever wheel lock, slip-on, swing-away	<i>(only on 6008)</i>			£26	€ 41	32

ACCESSORIES								
● Tool kit								
1402	<input type="checkbox"/>	High pressure pump				£47	€ 77	36
1403	<input type="checkbox"/>	Air pump				£7	€ 11	36
4006	<input type="checkbox"/>	Back pack				£36	€ 58	36
1405	<input type="checkbox"/>	Net back bag				£14	€ 22	37
2118	<input type="checkbox"/>	Bag caddy	<i>(not with platform footplates 2102)</i>			£36	€ 58	37

COLOURS									
	Frame	Fork (3)	Handrim (1)	Hub/rim (2)		Frame	Fork (3)	Handrim (1)	Hub/rim (2)
		£29 € 46	£38 € 59	£105 € 163			£29 € 46	£38 € 59	£105 € 163
1	White Ral 9010	<input type="radio"/>	<input type="checkbox"/>	<input type="checkbox"/>	16	<b>Matt Marine</b>	<input type="checkbox"/> £58 € 81	<input type="checkbox"/>	<input type="checkbox"/>
2	Brilliant Silver	<input type="radio"/>	<input type="checkbox"/>	<input type="checkbox"/>	18	<b>Illusion Lapis</b>	<input type="checkbox"/> £84 € 117	<input type="checkbox"/>	<input type="checkbox"/>
3	<b>Matt Silver</b>	<input type="checkbox"/> £58 € 81	<input type="checkbox"/>	<input type="checkbox"/>	19	Brilliant purple	<input type="radio"/>	<input type="checkbox"/>	<input type="checkbox"/>
4	Silver	<input type="radio"/>	<input type="checkbox"/>	<input type="checkbox"/>	20	<b>Matt purple</b>	<input type="checkbox"/> £58 € 81	<input type="checkbox"/>	<input type="checkbox"/>
5	Silver Moon	<input type="radio"/>	<input type="checkbox"/>	<input type="checkbox"/>	21	Red Ruby	<input type="radio"/>	<input type="checkbox"/>	<input type="checkbox"/>
6	Sun Yellow	<input type="radio"/>	<input type="checkbox"/>	<input type="checkbox"/>	22	Brilliant red	<input type="radio"/>	<input type="checkbox"/>	<input type="checkbox"/>
7	Brilliant Lime	<input type="radio"/>	<input type="checkbox"/>	<input type="checkbox"/>	23	<b>Matt red</b>	<input type="checkbox"/> £58 € 81	<input type="checkbox"/>	<input type="checkbox"/>
8	<b>Matt Lime</b>	<input type="checkbox"/> £58 € 81	<input type="checkbox"/>	<input type="checkbox"/>	24	Tutti Fruitti Orange	<input type="radio"/>	<input type="checkbox"/>	<input type="checkbox"/>
9	Candy Teal	<input type="radio"/>	<input type="checkbox"/>	<input type="checkbox"/>	25	Amethyst Fantasy	<input type="radio"/>	<input type="checkbox"/>	<input type="checkbox"/>
10	<b>Matt Candy Teal</b>	<input type="checkbox"/> £58 € 81	<input type="checkbox"/>	<input type="checkbox"/>	27	Graphite metallic	<input type="radio"/>	<input type="checkbox"/>	<input type="checkbox"/>
12	Forest green	<input type="radio"/>	<input type="checkbox"/>	<input type="checkbox"/>	28	Platinum metallic	<input type="radio"/>	<input type="checkbox"/>	<input type="checkbox"/>
13	<b>Flip flop bluegreen</b>	<input type="checkbox"/> £84 € 117	<input type="checkbox"/>	<input type="checkbox"/>	29	Black (RAL 9005)	<input type="radio"/>	<input type="checkbox"/>	<input type="checkbox"/>
14	Blue	<input type="radio"/>	<input type="checkbox"/>	<input type="checkbox"/>	30	<b>Mystery</b>	<input type="checkbox"/> £84 € 117	<input type="checkbox"/>	<input type="checkbox"/>
15	Brilliant Marine	<input type="radio"/>	<input type="checkbox"/>	<input type="checkbox"/>					
					(1) Design and Universal wheels	(2) Only with Universal wheels		(3) Not available with QR fork	

Upholstery colour		<i>(vented only in black)</i>	
Black	<input type="radio"/>		
Red	<input type="radio"/>		
Dark blue	<input type="radio"/>		
Purple	<input type="radio"/>		
Blue	<input type="radio"/>		
Signal pink	<input type="radio"/>		

**Comments for special build:**



<b>Neon Fixed- front - Basic Price</b>	£1,265	€ 2,027
Option price	£	€
Packaging and transport	NA	NA
Exclusive VAT	NA	NA
VAT.	£	€
<b>Total Price</b>	£	€

