



Invoice to:
Name:
Street:
Town: Postal code:
E-Mail:
Tel: Fax:

Deliver to:
Name:
Street:
Town: Postal code:
E-Mail:
Tel: Fax:

Order date:
Purchase order:
Number required:



Marked for:
Sunrise order no:

All Sunrise Medical wheelchairs and powerchairs are compatible with **JAY** cushions and backrests, including our new range of J3 backrests launching in summer 2008

JAY

Visit www.jay3seating.eu or contact your local ASM for more information

- = Standard
- = Cost option
- L = Extended delivery time
- = No cost option

Customer service fax number 01384 446644

Max. user weight: 140 kg

USER WEIGHT kg

Mandatory information to ensure correct configuration

Detail of options are now available in the NEW accessory brochure
Part. no.: SOP-054001.01

Please consult our colour catalogue to review your colour choice at the end of the order form

The max user weight is 140kg; however options: platform footplates (2102) and suspension (5184), are not compatible with 140kg (see page 3).

Basic price £1,265 € 2,027

CLIENT MEASUREMENT

Seat width in cm

		30	32	34	36	38	40	42	44	46	48	50
Seat depth in cm	34	<input type="radio"/>	<input type="radio"/>	<input type="radio"/>	<input type="radio"/>	<input type="radio"/>	<input type="radio"/>	<input type="radio"/>	<input type="checkbox"/>	<input type="checkbox"/>	<input type="checkbox"/>	<input type="checkbox"/>
	36	<input type="radio"/>	<input type="radio"/>	<input type="radio"/>	<input type="radio"/>	<input type="radio"/>	<input type="radio"/>	<input type="radio"/>	<input type="checkbox"/>	<input type="checkbox"/>	<input type="checkbox"/>	<input type="checkbox"/>
	38	<input type="radio"/>	<input type="radio"/>	<input type="radio"/>	<input type="radio"/>	<input type="radio"/>	<input type="radio"/>	<input type="radio"/>	<input type="checkbox"/>	<input type="checkbox"/>	<input type="checkbox"/>	<input type="checkbox"/>
	40	<input type="radio"/>	<input type="radio"/>	<input type="radio"/>	<input type="radio"/>	<input type="radio"/>	<input type="radio"/>	<input type="radio"/>	<input type="checkbox"/>	<input type="checkbox"/>	<input type="checkbox"/>	<input type="checkbox"/>
	42	<input type="radio"/>	<input type="radio"/>	<input type="radio"/>	<input type="radio"/>	<input type="radio"/>	<input type="radio"/>	<input type="radio"/>	<input type="checkbox"/>	<input type="checkbox"/>	<input type="checkbox"/>	<input type="checkbox"/>
	44	<input type="checkbox"/>	<input type="checkbox"/>	<input type="checkbox"/>	<input type="checkbox"/>	<input type="checkbox"/>	<input type="checkbox"/>	<input type="checkbox"/>	<input type="checkbox"/>	<input type="checkbox"/>	<input type="checkbox"/>	<input type="checkbox"/>
	46	<input type="checkbox"/>	<input type="checkbox"/>	<input type="checkbox"/>	<input type="checkbox"/>	<input type="checkbox"/>	<input type="checkbox"/>	<input type="checkbox"/>	<input type="checkbox"/>	<input type="checkbox"/>	<input type="checkbox"/>	<input type="checkbox"/>
	50	<input type="checkbox"/>	<input type="checkbox"/>	<input type="checkbox"/>	<input type="checkbox"/>	<input type="checkbox"/>	<input type="checkbox"/>	<input type="checkbox"/>	<input type="checkbox"/>	<input type="checkbox"/>	<input type="checkbox"/>	<input type="checkbox"/>

Max weight 115 kg:
until SW 42 and SD 42
Max weight 140 kg:
from SW 44 and SD 44
Please note the procedure of the measurement at the back
All measurements are in cm and without cushion

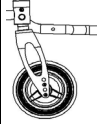
Upcharge:
reinforced
for 140 kg

Front seat height in cm

		Fork	30	32	33	34	35	36	37	38	40	41	42	43	44	45	46	47	48	49	50	51	52	53	54	55	56	57															
Front Castor	3"	118mm	<div style="border: 1px solid black; padding: 5px;"> <p>Your rear seat height can only be between 0 cm and 13 cm below your front seat height:</p> <p>i.e. rear seat height CANNOT be above front seat height</p> <p>i.e. rear seat height CANNOT be more than 13 cm below front seat height</p> <p>More info, see first back page</p> </div>													<input type="radio"/>	<input type="radio"/>	<input type="radio"/>	<input type="radio"/>	<input type="radio"/>	<input type="radio"/>	<input type="radio"/>	<input type="radio"/>	<input type="radio"/>	<input type="radio"/>	<input type="radio"/>	<input type="radio"/>	<input type="radio"/>	<input type="radio"/>	<input type="radio"/>	<input type="radio"/>	<input type="radio"/>	<input type="radio"/>	<input type="radio"/>	<input type="radio"/>	<input type="radio"/>	<input type="radio"/>	<input type="radio"/>	<input type="radio"/>	<input type="radio"/>	<input type="radio"/>	<input type="radio"/>	<input type="radio"/>
		138mm														<input type="radio"/>	<input type="radio"/>	<input type="radio"/>	<input type="radio"/>	<input type="radio"/>	<input type="radio"/>	<input type="radio"/>	<input type="radio"/>	<input type="radio"/>	<input type="radio"/>	<input type="radio"/>	<input type="radio"/>	<input type="radio"/>	<input type="radio"/>	<input type="radio"/>	<input type="radio"/>	<input type="radio"/>	<input type="radio"/>	<input type="radio"/>	<input type="radio"/>	<input type="radio"/>	<input type="radio"/>	<input type="radio"/>	<input type="radio"/>	<input type="radio"/>	<input type="radio"/>	<input type="radio"/>	<input type="radio"/>
		174mm														<input type="radio"/>	<input type="radio"/>	<input type="radio"/>	<input type="radio"/>	<input type="radio"/>	<input type="radio"/>	<input type="radio"/>	<input type="radio"/>	<input type="radio"/>	<input type="radio"/>	<input type="radio"/>	<input type="radio"/>	<input type="radio"/>	<input type="radio"/>	<input type="radio"/>	<input type="radio"/>	<input type="radio"/>	<input type="radio"/>	<input type="radio"/>	<input type="radio"/>	<input type="radio"/>	<input type="radio"/>	<input type="radio"/>	<input type="radio"/>	<input type="radio"/>	<input type="radio"/>	<input type="radio"/>	<input type="radio"/>
	4"	118mm														<input type="radio"/>	<input type="radio"/>	<input type="radio"/>	<input type="radio"/>	<input type="radio"/>	<input type="radio"/>	<input type="radio"/>	<input type="radio"/>	<input type="radio"/>	<input type="radio"/>	<input type="radio"/>	<input type="radio"/>	<input type="radio"/>	<input type="radio"/>	<input type="radio"/>	<input type="radio"/>	<input type="radio"/>	<input type="radio"/>	<input type="radio"/>	<input type="radio"/>	<input type="radio"/>	<input type="radio"/>	<input type="radio"/>	<input type="radio"/>	<input type="radio"/>	<input type="radio"/>	<input type="radio"/>	<input type="radio"/>
		138mm														<input type="radio"/>	<input type="radio"/>	<input type="radio"/>	<input type="radio"/>	<input type="radio"/>	<input type="radio"/>	<input type="radio"/>	<input type="radio"/>	<input type="radio"/>	<input type="radio"/>	<input type="radio"/>	<input type="radio"/>	<input type="radio"/>	<input type="radio"/>	<input type="radio"/>	<input type="radio"/>	<input type="radio"/>	<input type="radio"/>	<input type="radio"/>	<input type="radio"/>	<input type="radio"/>	<input type="radio"/>	<input type="radio"/>	<input type="radio"/>	<input type="radio"/>	<input type="radio"/>	<input type="radio"/>	<input type="radio"/>
		174mm														<input type="radio"/>	<input type="radio"/>	<input type="radio"/>	<input type="radio"/>	<input type="radio"/>	<input type="radio"/>	<input type="radio"/>	<input type="radio"/>	<input type="radio"/>	<input type="radio"/>	<input type="radio"/>	<input type="radio"/>	<input type="radio"/>	<input type="radio"/>	<input type="radio"/>	<input type="radio"/>	<input type="radio"/>	<input type="radio"/>	<input type="radio"/>	<input type="radio"/>	<input type="radio"/>	<input type="radio"/>	<input type="radio"/>	<input type="radio"/>	<input type="radio"/>	<input type="radio"/>	<input type="radio"/>	<input type="radio"/>
	5"	118mm														<input type="radio"/>	<input type="radio"/>	<input type="radio"/>	<input type="radio"/>	<input type="radio"/>	<input type="radio"/>	<input type="radio"/>	<input type="radio"/>	<input type="radio"/>	<input type="radio"/>	<input type="radio"/>	<input type="radio"/>	<input type="radio"/>	<input type="radio"/>	<input type="radio"/>	<input type="radio"/>	<input type="radio"/>	<input type="radio"/>	<input type="radio"/>	<input type="radio"/>	<input type="radio"/>	<input type="radio"/>	<input type="radio"/>	<input type="radio"/>	<input type="radio"/>	<input type="radio"/>	<input type="radio"/>	<input type="radio"/>
		138mm														<input type="radio"/>	<input type="radio"/>	<input type="radio"/>	<input type="radio"/>	<input type="radio"/>	<input type="radio"/>	<input type="radio"/>	<input type="radio"/>	<input type="radio"/>	<input type="radio"/>	<input type="radio"/>	<input type="radio"/>	<input type="radio"/>	<input type="radio"/>	<input type="radio"/>	<input type="radio"/>	<input type="radio"/>	<input type="radio"/>	<input type="radio"/>	<input type="radio"/>	<input type="radio"/>	<input type="radio"/>	<input type="radio"/>	<input type="radio"/>	<input type="radio"/>	<input type="radio"/>	<input type="radio"/>	<input type="radio"/>
		174mm														<input type="radio"/>	<input type="radio"/>	<input type="radio"/>	<input type="radio"/>	<input type="radio"/>	<input type="radio"/>	<input type="radio"/>	<input type="radio"/>	<input type="radio"/>	<input type="radio"/>	<input type="radio"/>	<input type="radio"/>	<input type="radio"/>	<input type="radio"/>	<input type="radio"/>	<input type="radio"/>	<input type="radio"/>	<input type="radio"/>	<input type="radio"/>	<input type="radio"/>	<input type="radio"/>	<input type="radio"/>	<input type="radio"/>	<input type="radio"/>	<input type="radio"/>	<input type="radio"/>	<input type="radio"/>	<input type="radio"/>
	6"	118mm														<input type="radio"/>	<input type="radio"/>	<input type="radio"/>	<input type="radio"/>	<input type="radio"/>	<input type="radio"/>	<input type="radio"/>	<input type="radio"/>	<input type="radio"/>	<input type="radio"/>	<input type="radio"/>	<input type="radio"/>	<input type="radio"/>	<input type="radio"/>	<input type="radio"/>	<input type="radio"/>	<input type="radio"/>	<input type="radio"/>	<input type="radio"/>	<input type="radio"/>	<input type="radio"/>	<input type="radio"/>	<input type="radio"/>	<input type="radio"/>	<input type="radio"/>	<input type="radio"/>	<input type="radio"/>	<input type="radio"/>
		138mm														<input type="radio"/>	<input type="radio"/>	<input type="radio"/>	<input type="radio"/>	<input type="radio"/>	<input type="radio"/>	<input type="radio"/>	<input type="radio"/>	<input type="radio"/>	<input type="radio"/>	<input type="radio"/>	<input type="radio"/>	<input type="radio"/>	<input type="radio"/>	<input type="radio"/>	<input type="radio"/>	<input type="radio"/>	<input type="radio"/>	<input type="radio"/>	<input type="radio"/>	<input type="radio"/>	<input type="radio"/>	<input type="radio"/>	<input type="radio"/>	<input type="radio"/>	<input type="radio"/>	<input type="radio"/>	<input type="radio"/>
		174mm														<input type="radio"/>	<input type="radio"/>	<input type="radio"/>	<input type="radio"/>	<input type="radio"/>	<input type="radio"/>	<input type="radio"/>	<input type="radio"/>	<input type="radio"/>	<input type="radio"/>	<input type="radio"/>	<input type="radio"/>	<input type="radio"/>	<input type="radio"/>	<input type="radio"/>	<input type="radio"/>	<input type="radio"/>	<input type="radio"/>	<input type="radio"/>	<input type="radio"/>	<input type="radio"/>	<input type="radio"/>	<input type="radio"/>	<input type="radio"/>	<input type="radio"/>	<input type="radio"/>	<input type="radio"/>	<input type="radio"/>
7"	118mm	<input type="radio"/>	<input type="radio"/>	<input type="radio"/>	<input type="radio"/>	<input type="radio"/>	<input type="radio"/>	<input type="radio"/>	<input type="radio"/>	<input type="radio"/>	<input type="radio"/>	<input type="radio"/>	<input type="radio"/>	<input type="radio"/>	<input type="radio"/>	<input type="radio"/>	<input type="radio"/>	<input type="radio"/>	<input type="radio"/>	<input type="radio"/>	<input type="radio"/>	<input type="radio"/>	<input type="radio"/>	<input type="radio"/>	<input type="radio"/>	<input type="radio"/>	<input type="radio"/>	<input type="radio"/>	<input type="radio"/>														
	138mm	<input type="radio"/>	<input type="radio"/>	<input type="radio"/>	<input type="radio"/>	<input type="radio"/>	<input type="radio"/>	<input type="radio"/>	<input type="radio"/>	<input type="radio"/>	<input type="radio"/>	<input type="radio"/>	<input type="radio"/>	<input type="radio"/>	<input type="radio"/>	<input type="radio"/>	<input type="radio"/>	<input type="radio"/>	<input type="radio"/>	<input type="radio"/>	<input type="radio"/>	<input type="radio"/>	<input type="radio"/>	<input type="radio"/>	<input type="radio"/>	<input type="radio"/>	<input type="radio"/>	<input type="radio"/>	<input type="radio"/>														
	174mm	<input type="radio"/>	<input type="radio"/>	<input type="radio"/>	<input type="radio"/>	<input type="radio"/>	<input type="radio"/>	<input type="radio"/>	<input type="radio"/>	<input type="radio"/>	<input type="radio"/>	<input type="radio"/>	<input type="radio"/>	<input type="radio"/>	<input type="radio"/>	<input type="radio"/>	<input type="radio"/>	<input type="radio"/>	<input type="radio"/>	<input type="radio"/>	<input type="radio"/>	<input type="radio"/>	<input type="radio"/>	<input type="radio"/>	<input type="radio"/>	<input type="radio"/>	<input type="radio"/>	<input type="radio"/>	<input type="radio"/>														

Rear seat height in cm

		Wheels	30	32	33	34	35	36	37	38	39	40	41	42	43	44	45	46	47	48	49	50	51	52	53	54	55	56	
Rear wheel	20"	<input type="radio"/>	<input type="radio"/>	<input type="radio"/>	<input type="radio"/>	<input type="radio"/>	<input type="radio"/>	<input type="radio"/>	<input type="radio"/>	<input type="radio"/>	<input type="radio"/>	<input type="radio"/>	<input type="radio"/>	<input type="radio"/>	<input type="radio"/>	<input type="radio"/>	<input type="radio"/>	<input type="radio"/>	<input type="radio"/>	<input type="radio"/>	<input type="radio"/>	<input type="radio"/>	<input type="radio"/>	<input type="radio"/>	<input type="radio"/>	<input type="radio"/>	<input type="radio"/>	<input type="radio"/>	<input type="radio"/>
	22"	<input type="radio"/>	<input type="radio"/>	<input type="radio"/>	<input type="radio"/>	<input type="radio"/>	<input type="radio"/>	<input type="radio"/>	<input type="radio"/>	<input type="radio"/>	<input type="radio"/>	<input type="radio"/>	<input type="radio"/>	<input type="radio"/>	<input type="radio"/>	<input type="radio"/>	<input type="radio"/>	<input type="radio"/>	<input type="radio"/>	<input type="radio"/>	<input type="radio"/>	<input type="radio"/>	<input type="radio"/>	<input type="radio"/>	<input type="radio"/>	<input type="radio"/>	<input type="radio"/>	<input type="radio"/>	<input type="radio"/>
	24"	<input type="radio"/>	<input type="radio"/>	<input type="radio"/>	<input type="radio"/>	<input type="radio"/>	<input type="radio"/>	<input type="radio"/>	<input type="radio"/>	<input type="radio"/>	<input type="radio"/>	<input type="radio"/>	<input type="radio"/>	<input type="radio"/>	<input type="radio"/>	<input type="radio"/>	<input type="radio"/>	<input type="radio"/>	<input type="radio"/>	<input type="radio"/>	<input type="radio"/>	<input type="radio"/>	<input type="radio"/>	<input type="radio"/>	<input type="radio"/>	<input type="radio"/>	<input type="radio"/>	<input type="radio"/>	<input type="radio"/>
	26"	<input type="radio"/>	<input type="radio"/>	<input type="radio"/>	<input type="radio"/>	<input type="radio"/>	<input type="radio"/>	<input type="radio"/>	<input type="radio"/>	<input type="radio"/>	<input type="radio"/>	<input type="radio"/>	<input type="radio"/>	<input type="radio"/>	<input type="radio"/>	<input type="radio"/>	<input type="radio"/>	<input type="radio"/>	<input type="radio"/>	<input type="radio"/>	<input type="radio"/>	<input type="radio"/>	<input type="radio"/>	<input type="radio"/>	<input type="radio"/>	<input type="radio"/>	<input type="radio"/>	<input type="radio"/>	<input type="radio"/>



QUICKIE NEON SWING AWAY

● = Standard ○ = No cost option □ = Cost option

£ €

SEAT UPHOLSTERY				£	€		
Seat sling			(with pad)			Accessory Brochure Page	
3002	●	1 Utility bag				4	
3006	□	With two utility bags	(only from SW 38 cm)	£31	€ 49	4	
3005	□	Catheter bag	(only from SW 34 cm)	£53	€ 85	4	
3001	○	Without seat sling		-£23	-€ 37		
For JAY Seating, see Jay order form							
Seat cushion with cover, black							
3026	a)	Foam composite	Thickness: □ 3 cm □ 5 cm	(medium)	£36	€ 57	5
3027	b)	Latex	Thickness: □ 5 cm □ 8 cm	(very soft)	£36	€ 57	5
Seat cushion with water resistant / breathable cover							
3028	a)	Foam composite	Thickness: □ 3 cm □ 5 cm	(medium)	£71	€ 116	5
3029	b)	Latex	Thickness: □ 5 cm □ 8 cm	(very soft)	£71	€ 116	5
3010	□	Solid seat padded			£105	€ 170	4
1404		Medical lamb skin(1)	□ 10 (35x85 cm) □ 12 (40x85 cm) □ 14 (45x85 cm)		£105	€ 170	5
Seat accessories							
4049	□	Positioning belt with lock			£26	€ 41	11
3003	□	Spare cushion cover with zipper			£28	€ 44	

All Sunrise Medical wheelchairs and powerchairs are compatible with **JAY** cushions and backrests, including our new range of **J3** backrests launching in summer 2008

Visit www.jay3seating.eu or contact your local ASM for more information

JAY®

BACKREST					
Backrest (range)	25 - 30	30 - 35	35 - 40	40 - 47.5	
Back height set at (cm)	○ 25	○ 30	○ 35	○ 40	
	○ 27.5	○ 32.5	○ 37.5	○ 42.5	
	○ 30	○ 35	○ 40	○ 45	○ 47.5

Backrest frame				£	€	
4017	○	Fixed, non angle adjustable (90°), non folding backrest	(2)			6
4018	○	Angle adjustable	(74° to 102° adjustable) (-16° to +12°)			6
4029	○	Foldable, angle adjustable	(74° to 102° adjustable) (-16° to +12°)			7
4020	□	Seat depth growth	(max. user weight: 70 kg) (not with 90° fixed back 4017)	£65	€ 108	11

Backrest frame accessories				£	€	
4037	□	Stabilizing bar	(not in combination with 4051, 4054 & 4024)	£49	€ 80	10
4041	□	Folding stabilizer bar	(3) (not in combination with 4051, 4054 & 4024)	£71	€ 116	10

Push handles				£	€	
4054	○	Without push handles				
4051	○	Short				9
4022	○	Long				9
4024	□	Fold-down push handles	(4) (only from BH 32.5cm and above)	£79	€ 128	9
4034	□	Height-adjustable push handles	(5)	£105	€ 170	9
4043	□	JAY Hardware height adj. push handles	(5)	£105	€ 170	11

Backrest upholstery				£	€	
4032	○	Adjustable backrest upholstery				8
4038	□	Adjustable backrest with vented material	(only in black)	£61	€ 99	8
4031	□	Without back upholstery		-£23	-€ 37	
4025	□	Solid back, padded, suspended via back tube		£105	€ 171	8

Headrest				£	€	
4027	□	Headrest	(not in combination with 4054, 4024, 4037, 4041 & 4051)	£114	€ 186	10

Back upholstery accessories				£	€	
4035	□	Back cushion foam composite	(Thickness: 3 cm) (medium)	£61	€ 99	11
4036	□	Back cushion latex with cover	(Thickness: 5 cm) (very soft)	£61	€ 99	11

- (1) : colour: black
 (2): not in combination with seat growth (4020) and tubular padded armrest (4262)
 (3): not with SW 30 - 36cm
 (4): from BH 32.5 cm; not with Headrest (4027); Height adj. Pushhandles (4034); stabilizing bar (4037)
 (5): from BH 30 cm; problem can occur with safety belt with lock (4029)

For more information
 visit our webpage
www.sunrisemedical.com

QUICKIE NEON SWING AWAY

● = Standard ○ = No cost option □ = Cost option

£ €

ARMREST AND SIDEGUARDS					
Armrest				Accessory Brochure Page	
<i>(choose only one option)</i>					
4246	○	Quad release for height adjustable armrest	£15	€ 24	13
4265	□	Padded armrest Quickie style (1)	£63	€ 103	13
4213	□	Fixed height armrest without pad (2)	£89	€ 145	12
4214	□	Fixed height armrest pad short (2)	£89	€ 145	12
4216	□	Height adjustable armrest pad short (2)	£110	€ 180	12
4217	□	Height adjustable armrest pad long (2)	£110	€ 180	12
4264	□	Single post armrest height adjustable Quickie style	£105	€ 171	13

Sideguards					
4229	□	Straight sideguard aluminium	£138	€ 223	14
4238	□	Straight sideguard aluminium with fender (not in combination with rear height 35 - 38 cm with 24")	£149	€ 243	14
4232	□	Straight sideguard carbon fibre with fender (not in combination with rear height 35 - 38 cm with 24")	£194	€ 316	14
4209	□	Therapy table, slide-on for SW 38 - 48 cm (only for armrests with pad)	£78	€ 125	
4263	□	Plastic sideguards detachable (Quickie style)	£101	€ 164	15

Sideguards options and accessories					
4225		Therapy table, flip-down for SW 34 - 50 cm (only for height adjustable armrests with pad)	£107	€ 174	
		Attachment: □ right-hand □ left-hand			
4233	□	Slide back option, straight aluminium (sideguards only) (only with 4229 & 4238)	£40	€ 65	15

LEGREST & FOOTPLATES					
	○	Sopor style legrest (75°) (LLL only possible between 37 - 50 cm)			16
	○	Quickie style legrest (LLL 34 - 47 cm) □ 70° □ 90°			16
Elevating legrest (min. SW = 36; min. SD = 40; min. LLL = 36)					
2128	□	Pair (not in combination with 2120 & 2119)	£230	€ 373	17
2129	□	Right elevating, left divided footrest	£114	€ 186	
2130	□	Left elevating, right divided footrest	£114	€ 186	
Footplates					
2100	○	Flip- up footplates (composite, non - angle adjustable) (SW 32 - 50 cm; LLL 34-50cm)			18
2122	○	Angle adjustable footplates (composite) (SW36-50cm; LLL 34-50cm)			18
2120	□	Divided footplates, aluminium (LLL 35-50cm; angle and depth adjustable, c/w calf strap)	£54	€ 87	18
2102		High Mount Footplates (aluminium) (high mounted for lower leg length between 22 - 34 cm)	£100	€ 160	
	□	Platform □ Divided (Max user weight 75kgs - Divided only from SW 34 cm)			
2119	□	Platform footrest, aluminium (LLL 35-50cm angle and depth adjustable with horizontal calf strap)	£84	€ 135	18

Lower leg length (LLL)		(Attention: LLL has to be 2,5 cm lower than seat height front)									
○ 22	○ 23	○ 24	○ 25	○ 26	○ 27	○ 28	○ 29				
○ 30	○ 31	○ 32	○ 33	○ 34	○ 35	○ 36	○ 37				
○ 38	○ 39	○ 40	○ 41	○ 42	○ 43	○ 44	○ 45				
○ 46	○ 47	○ 48	○ 50	All measurements in this table are in cm							

FRAME				
Standard folding frame				
F16 attachment (4)			(F16 attachment order form)	see F16 form

AXLE PLUG AND CENTER OF GRAVITY (COG)						(all measurements are in cm)		(choose only one option)	
Choose only one of the 4 choices (bold number shows factory presetting)									
(axle plate position)		A	B	C	D (5)				
5237	Short	○ 7	○ 9	○ 11	○ 13				
5238	Standard	○ 2; 3; 4	○ 4; 5; 6	○ 6; 7; 8	○ 8; 9; 10				
5235	Amputee	□ 1; -1; -3	□ 3; 1; -1	□ 5; 3; 1	□ 7; 5; 3	£105	€ 171	21	
5234	Handbike (X)	□ 2	□ 4	□ 6	□ 8	£171	€ 274	21	
5184	Suspension (XX)	□ 2	□ 4	□ 6	□ 8	£274	€ 450	21	
Weight range		○ less 45 kg	○ 45 - 86 kg	○ 86 -115 kg					

(X) pls choose camber for both axles (all measurements are in cm)
 (XX) Not in combination with drumbrake; Anti tip, tip assist, travel wheels Please pick customer's weight, if suspension is chosen

OF-NEONSA-EN-UK-04.02.2008-Rev3	
(1): not in combination with BH 25 - 30 cm; not with Fixed, non angle adj., non folding backrest (4017)	For more information visit our webpage www.sunrisemedical.com Price List Page: 43
(2): swing back, detachable. Not in combination with back height 25 - 30 cm and SD 30 - 36 cm	
(3): 22 - 40 cm angle and depth adjustable; max user weight 75kg	
(4): only with: 24" wheels; 0° camber; platform footrest. no quick release casters; no anti tips; no crutchholder; no transit wheels (please check with customer service)	
(5): not in combination with fixed height/adjustable armrest without/ short/ long (4213; 4214; 4216; 4217)	

QUICKIE NEON SWING AWAY

● = Standard ○ = No cost option □ = Cost option

			£	€	
Frame accessories <i>(choose either tip assist or anti-tip tubes, not both)</i>					Accessory Brochure Page
Tip assist (step tube)					
1230	□	Left □ Right	£17	€ 30	35
1205	□	Crutch holder with Velcro <i>(only in combination with 1230)</i>	£40	€ 63	34
Anti-tip tubes, swing-away					
1244	□	Left □ Right <i>(not with 1247)</i>	£52	€ 85	34
1244	□	Pair <i>(not with 1247)</i>	£105	€ 170	34
1247	□	Transit wheel <i>(not with 1244, 1230)</i>	£118	€ 193	35
1281	□	Frame protection	£39	€ 63	35

FORK <i>(compare with your choice on the first page)</i>					
● Fork					
5854	□	Castor pin lock <i>(only with fork 118 mm)</i>	£48	€ 79	
5826	□	Quick release axle for castors <i>(see seat height chart for no gos)</i>	£130	€ 212	

STANDARD CASTOR <i>(compare with your choice on the first page)</i>					
5812	○	Solid			24
5823	○	Soft solid <i>(only for 6")</i>			25
5838	○	Pneumatic <i>(only for 7")</i>			24
Light ups					
5850	□	Solid <i>(only for 3" and 4")</i>	£39	€ 63	25
Castor with aluminium rim					
5852	□	Solid <i>(only for 4" and 5")</i>	£47	€ 77	

REAR WHEELS <i>(compare with your choice on the first page; choose only one wheel type)</i>					
<i>NOTE: for users with higher user weight than 100 kg, we recommend cross spoked wheels</i>					
5171	○	Straight spoked <i>(pair) (not with 26")</i>			26
5172	○	Cross spoked <i>(pair)</i>			26
5137	○	Design wheel <i>(pair) (not with 20" & 22")</i>			27
5140	○	Light weight wheel <i>(pair) (not with 20")</i>			27
5159	□	Spinergy wheels (1) <i>(pair) (not with 20" & 22")</i>	£295	€ 423	27
5154	□	Rear wheel with drum brake (2) <i>(pair) (only 22" & 24" and not with 2" camber)</i>	£217	€ 354	
5162	□	Mountain Bike wheel <i>(only with 24", mountainbike tyres & aluminium rim, black coated)</i>	£198	€ 323	
5162	□	Additional mountain bike wheel pair <i>(only with 24" & mountainbike tyres.)</i>	£298	€ 485	

TYRES <i>(Not available with Mountain Bike Wheels; choose only one tyre type)</i>					
5125	○	Standard slick			28
5124	○	Standard profile <i>(only 22" & 24")</i>			28
5118	○	Light weight <i>(only light weight wheel; 22" and 24")</i>			28
5168	○	24" Solid tyres (3)			28
5233	○	22" x 13 / 8" puncture-proof (3)			28
5167	□	24" Two grip "down town"	£56	€ 91	29
5164	□	24" Marathon plus evolution (puncture resistant)	£47	€ 77	29

HANDRIM <i>(Not available with Mountain Bike or Spinergy Wheels)</i>					
5142	○	Aluminium silver anodized			30
5144	○	Aluminium silver powdercoated			30
5173	○	Aluminium black powdercoated (3) <i>(not 20" wheel)</i>			30
5183	□	Coloured aluminium pushrim. colour code: (3) <i>(not 20" wheel)</i>	£38	€ 62	30
5174	○	Stainless steel			30
5122	□	Titanium <i>(not with 20" & 22" wheels)</i>	£111	€ 181	30
5121	□	Titanium clear powdercoated <i>(not with 20" & 22" wheels)</i>	£111	€ 181	30
5120	□	Supergrip <i>(Not with Lightweight wheels; only 24" wheels)</i>	£139	€ 225	30
5163	□	Vertical projection pushrim <i>(Not with Lightweight wheels; only 24" wheels)</i>	£133	€ 215	
Hand rim mounting ● Standard = 17mm ○ Wide = 27mm (3)					
512	○	Close = 7mm <i>(only with stainless steel)</i>			
5178	□	Handrim cover <i>(only 22" and 24")</i>	£55	€ 90	

WHEEL CAMBER <i>(choose only one option)</i>					
5161	○	0°	Handbike axle camber setting	○	0° (4)
5161	○	2° <i>(not with drum brake)</i>		○	2° (4)
5161	○	4°		○	4° (4)

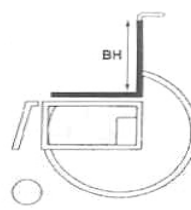
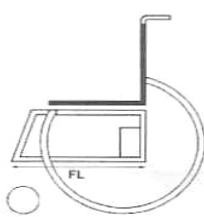
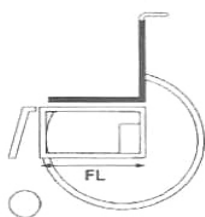
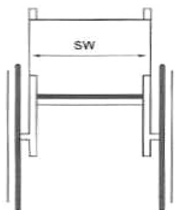
(1): not in combination with spokeguard (18 spokes (black); only alum.; hard anodized handrim)
(2): for care person, quick-release axle
(3): not with light weight wheel (5140)
(4): (Std axle = 0 deg, handbike (HB) = 2 deg)(std axle = 2 deg, HB = 0 or 4 deg)(std axle = 4 deg, HB = 2 deg)

For more information
 visit our webpage
www.sunrisemedical.com

Please follow measuring method:

The following method is recommended on the basis of extensive practical experience. Deviations are possible in individual instances

- | | | | |
|--|--|--|---|
| <p>Seat width:</p> <p>a) For the user:
Allow space of sideguard to pass vertically between hip and sideguard on each side (approx. 1 - 2 cm altogether).</p> <p>b) On the wheelchair:
From outside frame tube to outside frame tube</p> | <p>Seat depth:</p> <p>a) For the user:
When sitting upright: leave space for 2-3 fingers between front edge of seat upholstery and back of knee (approx. 3-6 cm). Care must be taken with adjustable upholstery.</p> <p>b) On the wheelchair:
From back tube to front of seat upholstery.</p> | <p>Back height:</p> <p>a) For the user:
Measured from the seat, including cushion, to no more than one finger (1 - 2 cm) below the lower shoulderblade.</p> <p>Important! The back height depends on the degree of disability.</p> <p>b) On the wheelchair:
From seat tube to upper edge of backrest upholstery.</p> <p>Note: The user's ability to sit upright has a major influence on the back height and it can therefore differ considerably.</p> | <p>Lower leg length:</p> <p>a) For the user:
With legs angled at right angles, from back of knee to bottom of shoe sole.</p> <p>b) On the wheelchair:
From front of seat to top of footrest.</p> <p>Remember: to include the cushion height</p> |
|--|--|--|---|



Overall width:

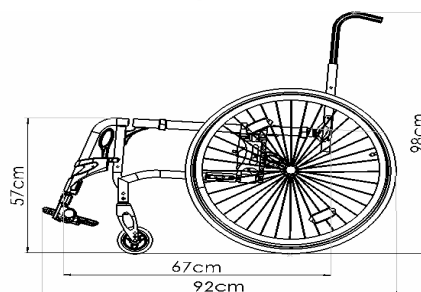
Overall width:			
Max overall height	98 cm	For 0° camber: SW+20 cm	SW+20 cm
Max overall length	92 cm	For 2° camber: SW+22 cm	SW+26 cm
		For 4° camber: SW+28 cm	SW+32 cm
		With drum brake +2 cm	

Weights:

Minimum weight:
approx 9.7 kg

Folded size:

with rear wheels approx. 29 cm
without rear wheels approx. 25 cm



Setting of the chair above is: SD 38 cm and 24" wheel

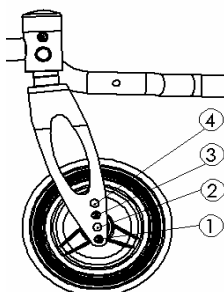
Possible seat height settings. **IMPORTANT: measured without seat cushion!**

NEON front seat height matrix

Std chair 40 x 40 cm, 0° camber, 6 cm CoG, Seat angle 8°

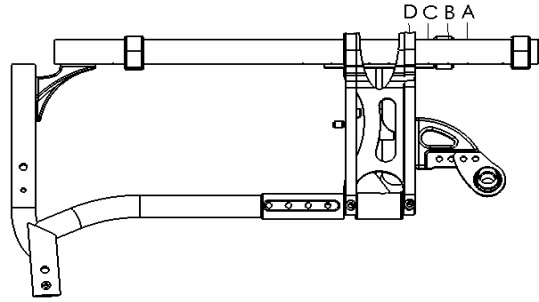
Fork	Position	3"	4"	5"	6"soft	7"
118	3	X	44	X	X	X
	2	44	45	47	X	X
	1	46	47	48	48	X
with black spacer (1)		47	48	49	49	X
138	3	X	46	47	48	X
	2	46	47	48	50	51
	1	47	48	49	51	52
with black spacer (1)		48	49	50	52	53
174	4	X	X	49	50	52
	3	X	49	50	51	53
	2	47	51	52	53	55
	1	48	52	53	54	56
with black spacer (1)		49	53	54	55	57

NEON rear seat height matrix					
in cm					
Rear wheel size					
	20"	22"	24"	26"	
min	30 cm	32 cm	35 cm	37 cm	
max	43 cm	45 cm	48 cm	50 cm	



All changes in the configuration might change the seat heights.
Manufacturing tolerances of +/- 1 cm
(1) Quick release caster fork not possible in combination with the black Spacer

Center Of Gravity (COG)



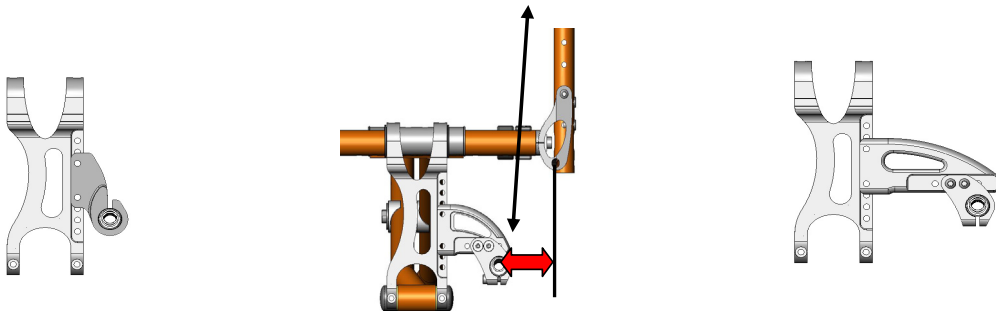
Measurement are taken from: Back tube to the middle of the axle

(axle plate position)		very stable	stable	active	very active
		A	B	C	D*
5237	Short	7 cm	9 cm	11 cm	13 cm
5238	Standard	2; 3 ; 4 cm	4; 5 6 cm	6; 7 ; 8 cm	8; 9 ; 10 cm
5235	Amputee	1; -1 ; -3 cm	3; 1 ; -1 cm	5; 3 ; 1 cm	7; 5 ; 3 cm
5234	Handbike				
5184	Suspension	2 cm	4 cm	6 cm	8 cm
	Weight range	0 - 45kg	45 - 86kg	86 -115kg	

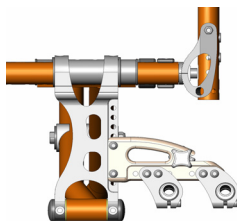
(Position B and the bold numbers are taken as standard if nothing was chosen)

(Position D* is not possible with fixed/adjustable height armrest)

All measurements are in cm



e.g.: Position B is equivalent to 5cm center of gravity



Handbike axle - please make sure the camber is chosen (page 4.)

QUICKIE NEON SWING AWAY

● = Standard ○ = No cost option □ = Cost option

					£	€	Accessory Brochure Page
Spoke guard							
5131	□	Transparent	<i>(only available in 22", 24" & 26")</i>		£73	€ 119	
5127	□	Rotation 5128	□	Graphic 5129	□	Bibbo <i>(only available in 22" & 24")</i>	31
5130	□	Fantasy 5134	□	Galactica 5135	□	Cheese <i>(only available in 22" & 24")</i>	31

WHEEL LOCKS					<i>(choose only one option)</i>		
6009	○	Standard wheel lock					32
6008	□	Knee lever wheel lock (High Mount)			£34	€ 55	32
6004	○	Scissor wheel lock			<i>(available from SD 40 cm)</i>		
6005	□	Grade aid for high mount wheelback			£49	€ 80	33
6010		One arm wheel lock with extension	□	left	□	right	33
6003	○	C-wheel lock					
Wheel lock accessories							
6016	□	Extension for knee lever wheel lock, slip-on, swing-away			<i>(only on 6008)</i>		
					£26	€ 41	32


ACCESSORIES							
● Tool kit							
1402	□	High pressure pump			£47	€ 77	36
1403	□	Air pump			£7	€ 11	36
4006	□	Back pack			£36	€ 58	36
1405	□	Net back bag			£14	€ 22	37
2118	□	Bag caddy			<i>(not with platform footplates 2102)</i>		
					£36	€ 58	37

COLOURS									
	Frame	Fork (3)	Handrim (1)	Hub/rim (2)		Frame	Fork (3)	Handrim (1)	Hub/rim (2)
		£29 € 46	£38 € 59	£105 € 163			£29 € 46	£38 € 59	£105 € 163
1	White Ral 9010	○	□	□	16	Matt Marine	□ £58 € 81	□	□
2	Brilliant Silver	○	□	□	18	Illusion Lapis	□ £84 € 117	□	□
3	Matt Silver	□ £58 € 81	□	□	19	Brilliant Purple	○	□	□
4	Silver	○	□	□	20	Matt Purple	□ £58 € 81	□	□
5	Silver Moon	○	□	□	21	Red Ruby	○	□	□
6	Sun Yellow	○	□	□	22	Brilliant Red	○	□	□
7	Brilliant Lime	○	□	□	23	Matt Red	□ £58 € 81	□	□
8	Matt Lime	□ £58 € 81	□	□	24	Tutti Fruitti Orange	○	□	□
9	Candy Teal	○	□	□	25	Amethyst Fantasy	○	□	□
10	Matt Candy Teal	□ £58 € 81	□	□	27	Graphite Metallic	○	□	□
12	Forest Green	○	□	□	28	Platinum Metallic	○	□	□
13	Flip Flop Blue/Green	□ £84 € 117	□	□	29	Black (RAL 9005)	○	□	□
14	Blue	○	□	□	30	Mystery	□ £84 € 117	□	□
15	Brilliant Marine	○	□	□					

(1) Design and Universal only (2) Only with Universal wheels (3) Not available with QR fork

Upholstery colour		<i>(vented only in black)</i>	
Black	○		
Red	○		
Dark blue	○		
Purple	○		
Blue	○		
Signal pink	○		

Comments for special build:



Neon Swing-away - Basic Price	£1,265	€ 2,027
Option price	£	€
Packaging and transport	NA	NA
Exclusive VAT	NA	NA
VAT.	£	€
Total Price	£	€

