

**ORDER FORM**

**4th February 2008**

**Quickie® TI**



Failure to use an order form for a Quickie chair order may result in delay or wrong shipment

Please send all orders to:  
Fax: +44 (0)1384 44 66 44  
Tel: +44 (0)1384 44 66 66

Please ask for details on how to order on line @  
**tcom.sunrisemedical.co.uk**

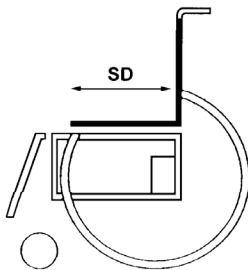


**Sunrise Medical Ltd**  
High Street, Wollaston, West Midlands, DY8 4PS, England  
www.sunrisemedical.com orders@sunmed.co.uk

### Standard features:

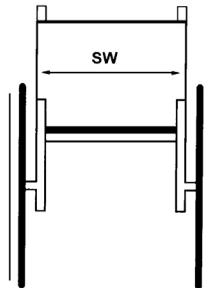
- ◆ Titanium frame colour
- ◆ Choice of frame width and length
- ◆ Choice of front and rear seat heights
- ◆ Choice of 3 frame angles 70°, 80° and 85°
- ◆ Choice of footrest inset angles
- ◆ Titanium angle adjustable, fixed height backrest
- ◆ Choice of rear wheel axle spacing
- ◆ 24" spoked rear wheels with aluminium handrims
- ◆ Choice of camber angle
- ◆ Pneumatic rear tyres
- ◆ Quick release axles
- ◆ High mount scissor wheel locks
- ◆ Centre point of gravity preset
- ◆ Tubular footrest
- ◆ Choice of 3", 4" or 5" castors
- ◆ Weight from 7.2kg
- ◆ Maximum user weight limit 113kg (18st)

### How to measure:



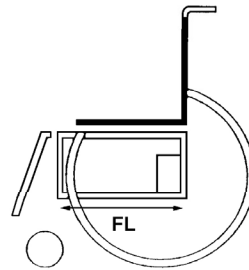
**Seat Depth**

From front of seat sling to back of seat sling



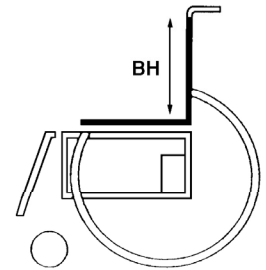
**Seat Width**

From outside seat rail tube to outside seat rail tube



**Frame Length**

From outside rear frame to outside front frame



**Back Height**

From seat sling to top of backrest sling

All Sunrise Medical wheelchairs and powerchairs are compatible with **JAY** cushions and backrests, including our new range of **J3** backrests launching in summer 2008

Visit [www.jay3seating.eu](http://www.jay3seating.eu) or contact your local ASM for more information


**JAY**®

### Guarantee:

Lifetime on frame, and axles. 1 year on other components. For further details, please refer to guarantee policy.

### Prices:

All prices are in Pounds Sterling and Euros and exclude VAT. For latest issue, please refer to [www.sunrisemedical.com](http://www.sunrisemedical.com). Please consult Sunrise Medical with any queries you may have.

<b>ORDER FORM</b>	<b>4th February 2008</b>
<b>Quickie® TI</b>	
	Failure to use an order form for a Quickie chair order may result in delay or wrong shipment

Please send all orders to:  
**Fax:** +44 (0)1384 44 66 44  
**Tel:** +44 (0)1384 44 66 66

Please ask for details on how to order on line @  
**tcom.sunrisemedical.co.uk**

Invoice to:  
 Name:  
 Street:  
 Town:  
 Postal Code:  
 Country:  
 Telephone:                      Fax:

Ship to:  
 Name:  
 Street:  
 Town:  
 Postal Code:  
 Country:  
 Telephone:                      Fax:

Order Date:  
 Purchase Order (Repeat on all pages):  
 Number Required:

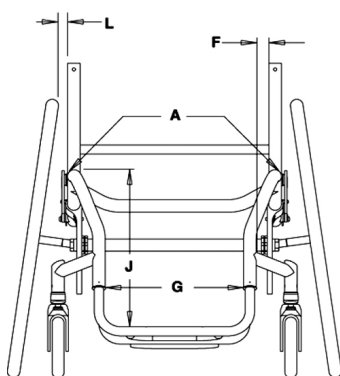
Marked for:  
 Sunrise Order No:

Please fill boxes, do not tick     = Standard     = Option    N/C = No Cost Option    Std = Standard

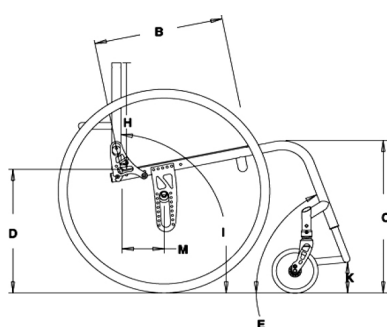
	£	€		£	€	TOTAL
<b>MODEL (Standard)</b>						
<input checked="" type="radio"/> Quickie TI Titanium	Std	Std				
<b>FRAME COLOUR (Standard)</b>						
<input checked="" type="radio"/> Titanium	Std	Std				
<b>FRAME WIDTH (Mark one box)</b>						
<input type="radio"/> Frame width 13" (33cm)	Std	Std	<input type="radio"/> Frame width 17" (43cm)	Std	Std	
<input type="radio"/> Frame width 14" (35.5cm)	Std	Std	<input type="radio"/> Frame width 18" (45.5")	Std	Std	
<input type="radio"/> Frame width 15" (38cm)	Std	Std				
<input type="radio"/> Frame width 16" (40.5cm)	Std	Std				
<b>FRAME LENGTH (Mark one box)</b>						
<input type="radio"/> Seat depth 14" (35.5cm)	Std	Std	<input type="radio"/> Seat depth 17" (43cm)	Std	Std	
<input type="radio"/> Seat depth 15" (38cm)	Std	Std	<input type="radio"/> Seat depth 18" (45.5cm)	Std	Std	
<input type="radio"/> Seat depth 16" (40.5cm)	Std	Std	<input type="radio"/> Seat depth 19" (48cm)	Std	Std	
<b>FRONT SEAT HEIGHT (Mark one box)</b>						
<input type="radio"/> Front seat height 16" (40.5cm) (1, 2)	Std	Std	<input type="radio"/> Front seat height 18.5" (47cm) (1)	Std	Std	
<input type="radio"/> Front seat height 16.5" (42cm) (1, 2)	Std	Std	<input type="radio"/> Front seat height 19" (48cm) (1)	Std	Std	
<input type="radio"/> Front seat height 17" (43cm) (1)	Std	Std	<input type="radio"/> Front seat height 19.5" (49.5cm) (1)	Std	Std	
<input type="radio"/> Front seat height 17.5" (44.5cm) (1)	Std	Std	<input type="radio"/> Front seat height 20" (51cm) (1)	Std	Std	
<input type="radio"/> Front seat height 18" 45.5cm) (1)	Std	Std				
<b>REAR SEAT HEIGHT (Mark one box)</b>						
<input type="radio"/> Rear seat height 14" (35.5cm) (1)	Std	Std	<input type="radio"/> Rear seat height 17" (43cm) (1)	Std	Std	
<input type="radio"/> Rear seat height 14.5" (37cm) (1)	Std	Std	<input type="radio"/> Rear seat height 17.5" (44.5cm) (1)	Std	Std	
<input type="radio"/> Rear seat height 15" (38cm) (1)	Std	Std	<input type="radio"/> Rear seat height 18" (45.5cm) (1)	Std	Std	
<input type="radio"/> Rear seat height 15.5" (39cm) (1)	Std	Std	<input type="radio"/> Rear seat height 18.5" (47cm) (1)	Std	Std	
<input type="radio"/> Rear seat height 16" (40.5cm) (1)	Std	Std	<input type="radio"/> Rear seat height 19" (48cm) (1)	Std	Std	
<input type="radio"/> Rear seat height 16.5" (42cm) (1)	Std	Std				
<b>FRAME ANGLE (Mark one box)</b>						
<input type="radio"/> Frame angle 70°	Std	Std	<input type="radio"/> Frame angle 85° (6)	Std	Std	
<input type="radio"/> Frame angle 80° (6)	Std	Std				
<b>FRAME INSET (See diagram for instructions) (Mark one box)</b>						
<input type="radio"/> Frame inset 0" (Footrest width = frame width -2")	Std	Std	<input type="radio"/> Frame inset 2" (Footrest width = frame width -6") (3)	Std	Std	
<input type="radio"/> Frame inset 1" (Footrest width = frame width -4")	Std	Std				
<b>SEAT TYPE (Mark one cushion and sling choice)</b>						
<b>Cushion:</b>			<b>Sling:</b>			
<input type="checkbox"/> Cushion 2" / 5 cm	36	58	<input type="checkbox"/> Omit sling upholstery	-17	-28	
<b>BACKREST (Mark one type and choices underneath)</b>						
<b>Type:</b>			<b>Type:</b>			
<input type="radio"/> Titanium folding	Std	Std	<input type="checkbox"/> Aluminium folding	N/C	N/C	
<input type="checkbox"/> Titanium non-folding	N/C	N/C	<b>Back Height (Mark one box):</b>			
<b>Back Height (Mark one box):</b>			<input type="checkbox"/> 11" - 14" (28cm - 35.5cm)	N/C	N/C	
<input type="checkbox"/> 10" (25.5cm)	N/C	N/C	<input type="checkbox"/> 12" - 16" (30.5cm - 40.5cm)	N/C	N/C	
<input type="checkbox"/> 11" (28cm)	N/C	N/C	<input type="checkbox"/> 14" - 18" (35.5cm - 45.5cm)	N/C	N/C	
<input type="checkbox"/> 12" (30.5cm)	N/C	N/C	<input type="checkbox"/> 16" - 20" (40.5cm - 51cm)	N/C	N/C	
<input type="checkbox"/> 13" (33cm)			<b>Back Rest Options:</b>			
<input type="checkbox"/> 14" (35.5cm)			<input type="checkbox"/> Standard upholstery (22)	N/C	N/C	
<input type="checkbox"/> 15" (38cm)			<input type="checkbox"/> Adjustable upholstery (9)	76	123	
<b>Back Rest Options:</b>			<input type="checkbox"/> Fold-down push handles (21)	50	82	
<input type="checkbox"/> Standard upholstery (22)	N/C	N/C	<input type="checkbox"/> Omit back upholstery (9)	-21	-34	
<input type="checkbox"/> Adjustable upholstery (9)	76	123				
<input type="checkbox"/> Fold-down push handles (21)	50	82				
<input type="checkbox"/> Omit back upholstery (9)	-21	-34				

Purchase Order (Repeat on all pages):

	£	€		£	€	TOTAL
<b>FOOTRESTS (Mark one box)</b>						
<input type="checkbox"/> Titanium tubular (5)	N/C	N/C	<input type="checkbox"/> Titanium tubular with flared side cover (5, 6)	39	63	
<input type="checkbox"/> Titanium tubular long (5)	N/C	N/C	<input type="checkbox"/> Titanium tubular with flared side cover long (5, 6)	39	63	
<input type="checkbox"/> Titanium tubular with flat cover (5)	N/C	N/C	<input type="checkbox"/> Aluminium platform footrest (5)	39	63	
<input type="checkbox"/> Titanium tubular with flat cover long (5)	N/C	N/C				
<b>ADAPTIVE PLATFORM SPACER (Mark one box)</b>						
<input type="checkbox"/> 2" Spacer (7)	91	149	<input type="checkbox"/> 6" Spacer (7)	91	149	
<input type="checkbox"/> 4" Spacer (7)	91	149				
<b>ARMRESTS (Mark one box)</b>						
<input type="checkbox"/> Padded swing-away armrests (23)	101	164				
<b>CASTORS (Mark one box)</b>						
<input type="checkbox"/> 3" Micro	N/C	N/C	<input type="checkbox"/> 4" Micro light-ups	37	60	
<input type="checkbox"/> 4" Low profile polyurethane	N/C	N/C	<input type="checkbox"/> 5" Low profile polyurethane (24)	N/C	N/C	
<input type="checkbox"/> 3" Micro light-ups	39	63				
<b>REAR WHEEL AXLE SPACING (Mark one box)</b>						
<input type="checkbox"/> 3/4" (8)	N/C	N/C	<input type="checkbox"/> 1 1/4"	N/C	N/C	
<input type="checkbox"/> 1" (25)	N/C	N/C	<input type="checkbox"/> 1 1/2"	N/C	N/C	
<b>REAR WHEEL SIZE (Mark one box)</b>						
<input type="radio"/> 24" Spoke wheel (540) (14)	Std	Std	<input type="checkbox"/> 24" QP Heat-treated basketball wheel (16)	204	331	
<input type="checkbox"/> 26" Spoke wheel (590) (15)	N/C	N/C	<input type="checkbox"/> 26" QP Heat-treated tennis wheel (17)	204	331	
<input type="checkbox"/> 24" QP Tennis wheel (540) (14)	188	306	<input type="checkbox"/> 26" QP Heat-treated basketball wheel (17)	204	331	
<input type="checkbox"/> 24" QP Basketball wheel (540) (14)	188	306	<input type="checkbox"/> 24" Spinergy wheel (540) Yellow spokes (18)	368	598	
<input type="checkbox"/> 26" QP Tennis wheel (590) (15)	204	331	<input type="checkbox"/> 24" Spinergy wheel (540) Black spokes (18)	368	598	
<input type="checkbox"/> 26" QP Basketball wheel (590) (15)	204	331	<input type="checkbox"/> 24" Spinergy wheel (559) Black spokes (18)	368	598	
<input type="checkbox"/> 24" QP Heat-treated tennis wheel (32h) (559) (16)	204	331	<input type="checkbox"/> 26" Spinergy wheel (590) Yellow spokes (18)	368	598	
<input type="checkbox"/> 24" QP Heat-treated tennis wheel (36h) (559) (16)	204	331	<input type="checkbox"/> 26" Spinergy wheel (590) Black spokes (18)	368	598	
<b>REAR WHEEL TYRES (Mark one box)</b>						
<input type="radio"/> Pneumatic	Std	Std	<input type="checkbox"/> Turbo tread	N/C	N/C	
<input type="checkbox"/> Pneumatic airless insert (10, 19)	N/C	N/C	<input type="checkbox"/> Kevlar tyre	N/C	N/C	
<input type="checkbox"/> High pressure clincher	N/C	N/C	<input type="checkbox"/> Latex tubular	N/C	N/C	
<b>HANDRIMS (Mark one box)</b>						
<input type="radio"/> Aluminium anodised	Std	Std	<input type="checkbox"/> Omit handrims	N/C	N/C	
<input type="checkbox"/> Plastic coated	53	85				
<b>CENTRE OF GRAVITY PRESET (Mark one box)</b>						
<input type="radio"/> 1/2" (11)	N/C	N/C	<input type="checkbox"/> 3"	N/C	N/C	
<input type="checkbox"/> 1" (11)	N/C	N/C	<input type="checkbox"/> 3 1/2"	N/C	N/C	
<input type="checkbox"/> 1 1/2"	N/C	N/C	<input type="checkbox"/> 4" (12)	N/C	N/C	
<input type="checkbox"/> 2"	N/C	N/C	<input type="checkbox"/> 4 1/2" (12)	N/C	N/C	
<input type="checkbox"/> 2 1/2"	N/C	N/C				
<b>AXLES (Mark one box)</b>						
<input type="radio"/> Quick-release axles	N/C	N/C	<input type="checkbox"/> Quad quick-release axles	61	99	
<input type="checkbox"/> Quick-release titanium axles (13)	93	152	<input type="checkbox"/> Quad quick-release titanium axles (13)	149	243	
<b>CAMBER (Mark one box)</b>						
<input type="radio"/> 0°	N/C	N/C	<input type="checkbox"/> 4°	N/C	N/C	
<input type="checkbox"/> 2°	N/C	N/C	<input type="checkbox"/> 8°	N/C	N/C	
<b>WHEEL LOCKS (Mark one box and options if required)</b>						
<input type="radio"/> High mount scissor (26)	N/C	N/C	<b>Wheel Lock Options:</b>			
<input type="checkbox"/> High mount push	N/C	N/C	<input type="checkbox"/> Do not mount	N/C	N/C	
<input type="checkbox"/> High mount pull	N/C	N/C	<input type="checkbox"/> Omit wheel lock	N/C	N/C	
<b>REAR ANTI-TIP (Mark one box)</b>						
<input type="checkbox"/> Rear anti-tip	45	73				
<b>ACCESSORIES (Optional)</b>						
<b>Back Pack:</b>			<b>Side Guard:</b>			
<input type="checkbox"/> Back pack adult	36	58	<input type="checkbox"/> Plastic (Regular)	101	164	
<input type="checkbox"/> Back pack kids	36	58	<input type="checkbox"/> Plastic (Kids)	101	164	
<b>Seat Pouch:</b>	36	58	<input type="checkbox"/> Fabric (Regular) (9)	36	58	
<input type="checkbox"/> Seat pouch	36	58	<input type="checkbox"/> Fabric (Kids) (9)	36	58	
<b>Spoke Guard:</b>	36	58	<input type="checkbox"/> Aluminium flip-up	138	224	
<input type="checkbox"/> Spoke guard (Clear) (27)	68	111	<input type="checkbox"/> Aluminium flip-up with fender guards (28)	149	243	
			<b>Miscellaneous:</b>			
			<input type="checkbox"/> Caddy	36	58	
			<input type="checkbox"/> Optional rear cross tube	N/C	N/C	
<b>Base Price:</b>		<b>£ 2,310</b>	<b>€ 3,758</b>			
<b>Options:</b>		<b>£</b>	<b>€</b>			
<b>Total Price:</b>		<b>£</b>	<b>€</b>			



<b>A Seat Width</b>	Measure from outside of seat tube to the opposite seat tube.
<b>F Inset</b>	Measure from the seat width - in from both sides (Taper). (0 inset) no taper, (1 inset) 1" taper on both sides, (2 inset) 2" taper on both sides.
<b>G Footrest</b>	Measurement from inside of front frame to inside of opposite front frame. To determine your footrest width, use this formula: <b>Footrest width = Seat width - (Tubing from both sides + Inset from both sides)</b>
<b>J Seat to Footrest</b>	Measure from the top of seat tube, at the rear of the bend, to the top rear of footrest. Recommended 2" shorter than front seat height. (Note: Footrest is preset 2" from floor).
<b>L Rear Wheel Spacing</b>	Measured from outside of back post to inside top of rear wheel.



<b>B Seat Depth</b>	Measure from front of the back post to the front edge of the seat upholstery.
<b>C Front Seat Height</b>	Measure from top of seat tube, at beginning of bend, to the floor.
<b>D Rear Seat Height (Adjustable)</b>	Measure from top of seat tube in the rear of the frame to the floor.
<b>E Frame Angle</b>	Measure from frame front to floor.
<b>H Seat Back Height</b>	Measure from the top of the back post to the top of the seat tube.
<b>I Back Angle</b>	Measured from front of back post to floor. (Angle is factory preset to approx. 90° with 12° adjustability).
<b>K Footrest Height (Adjustable)</b>	Footrest height is factory set to 2" from the floor.
<b>M Centre of Gravity (Adjustable)</b>	Measure from front of back post at the seat tube to the centre of the rear axle.

Front Seat Height 5" Increments	Rear Seat Height 5" Increments	Footrest Adjustability Range (From Sling - Without Cushion)	Footrest Adjustability Range - Long (From Sling - Without Cushion)
20"	19" - 16.5"	17.25" - 14.25"	18.59" - 15.59"
19.5"	18.5" - 16"	16.75" - 13.75"	18.09" - 15.09"
19"	18" - 15.5"	16.25" - 13.25"	17.59" - 14.59"
18.5"	17.5" - 15"	15.75" - 12.75"	17.09" - 14.09"
18"	17" - 14.5"	15.25" - 12.25"	16.59" - 13.59"
17.5"	16.5" - 14"	14.75" - 11.75"	16.09" - 13.09"
17"	16" - 13.5"	14.25" - 11.25"	15.59" - 12.59"
16.5"	15.5" - 13"	13.75" - 11.75"	15.09" - 13.09"
16"	15" - 12.5"	13.25" - 11.25"	14.59" - 12.59"

### FOOTNOTES:

<p><b>1</b> Tailed Rear Seat Height = Front Seat Height - 1"; Shortest Rear Seat Height = Front Seat Height - 3.5" (Minimum of 1" - Maximum of 3.5" front to rear seat angle within the options available).</p> <p><b>2</b> Not available with 5" castor</p> <p><b>3</b> Not available with 13" seat width</p> <p><b>5</b> Footrests are factory set at 2" (5cm) from the ground</p> <p><b>6</b> Not available with 0" inset or 5" castors and 1" inset</p> <p><b>7</b> Only available with platform footrest</p> <p><b>8</b> Not available with 0° &amp; 2° camber</p> <p><b>9</b> Fabric Sideguards are not available on the Adjustable Backrest or in conjunction with Omit Back Upholstery</p> <p><b>10</b> Not available with Quickie Performance wheel options</p> <p><b>11</b> Not available with folding backrest or height adjustable folding backrest</p> <p><b>12</b> Possible interference of front castors with rear wheels</p> <p><b>13</b> Only available with Quickie Performance wheel options, not available with Spinergy Wheels</p>	<p><b>14</b> Not available with Turbo Tread Tyres</p> <p><b>15</b> Not available with Pneumatic Airless Inserts, Kevlar or Turbo Tread Tyres</p> <p><b>16</b> Only available with Turbo Tread or latex Tubular Tyres</p> <p><b>17</b> Only available with Turbo Tread Tyres</p> <p><b>18</b> Only available with High Pressure Clincher</p> <p><b>19</b> Only available with 24" (540) wheels</p> <p><b>20</b> 11" - 14" Back height not available</p> <p><b>21</b> Only available with adjustable upholstery or omit back upholstery</p> <p><b>22</b> Not available with fold down push handles</p> <p><b>23</b> Not available with 3/4" or 1" axle spacing</p> <p><b>24</b> Not available with 0° inset on 80° or 85° frame</p> <p><b>25</b> Not available with 0° inset</p> <p><b>26</b> Not recommended with 14" or 15" seat depths, wheel lock arm does not completely recess under frame</p> <p><b>27</b> Not available with Spinergy wheels</p> <p><b>28</b> Only available with high mount scissor wheel locks</p>
---	--

## SECTION A

### Quickie TI Titanium Standard Chair Weights:

		Width					
		13	14	15	16	17	18
Depth	14	16.38	16.51	16.64	16.77	16.9	17.03
	15	16.51	16.64	16.77	16.9	17.03	17.16
	16	16.64	16.77	16.9	17.03	17.16	17.29
	17	16.77	16.9	17.03	17.16	17.29	17.42
	18	16.9	17.03	17.16	17.29	17.42	17.55
	19	17.03	17.16	17.29	17.42	17.55	17.68

#### Standard Chair Weight Includes:

Tubular footrest without plate  
 Small fork  
 4" Castors  
 24" High pressure clinchers  
 Fixed titanium backrest  
 Backrest upholstery  
 Seat sling with hardware & seat rails  
 Medium axle plate

## SECTION B

Component	Weight (lbs)	Component	Weight (lbs)
Standard Chair Weight (Refer to section A Chart)		<b>Axles (Pair)</b>	
Addition to Standard Weight		Steel Axles	0.000
Subtraction from Standard Weight		Titanium Axles	-0.100
<b>Seating</b>		Omit Axles	-0.500
No Cushion	0.000	Quad Quick Release Axles - Titanium	0.000
2" Cushion	1.261	Quad Quick Release Axles - Steel	0.150
Omit Seat Sling	-0.395	<b>Handrims (Pair)</b>	
<b>Back Type</b>		24" Aluminium Handrim Anodised	0.000
Titanium Non-folding	0.000	26" Aluminium Handrim Anodised	0.100
Titanium Folding	0.123	24" Plastic Coated Handrim	1.100
Aluminium Height Adjustable Back	0.817	26" Plastic Coated Handrim	1.350
<b>Push Handles (Pair)</b>		Omit Handrims	-2.050
Bolt-on Push Handles	1.532	<b>Wheel Locks (Pair)</b>	
Fixed Height Fold-down Push Handles	1.685	High Mount Push Wheel Locks	0.640
Height Adjustable Fold-down Push Handles	1.685	High Mount Pull Wheel Locks	0.640
Integral Push Handles	0.750	High Mount Scissors	0.680
<b>Back Upholstery</b>		<b>Wheel Lock Clamps (Pair)</b>	
Standard Back Upholstery	0.000	Short Clamp	0.280
Adjustable Back Upholstery	1.350	Long Clamp	0.600
Omit Back Upholstery	-0.870	<b>Rear Wheels (Pair) With Aluminium Handrims</b>	
<b>Armrests (Pair)</b>		24" QP Basketball	-0.050
Armrests	2.600	24" QP Heat Treated Basketball	-0.050
<b>Footrests</b>		24" QP Heat Treated Tennis (32h)	-0.230
Tubular with Leg Strap	0.000	24" QP Heat Treated Tennis (36h)	-0.200
Platform Footrest (12w)	1.075	24" QP Tennis	-0.050
Flared (12w)	0.211	24" Spinerger (540)	-0.750
Flat Cover (12w)	0.114	24" Spinerger (559)	-0.550
Omit Leg Strap	-0.145	24" Spoke	0.000
<b>Adaptive Platform Spacers (Pair)</b>		26" QP Heat Treated Tennis (36h)	1.350
2" Spacers	0.162	26" QP Tennis (36h)	1.350
4" Spacers	0.344	26" QP Basketball	1.450
6" Spacers	0.508	26" QP Heat Treated Basketball	1.450
<b>Castor Wheels (Pair)</b>		26" Spoke Wheel	0.450
3" Micro Lighted	-0.040	26" Spinerger (590)	-0.190
4" Composite	0.000	<b>Accessories</b>	
4" Micro Lighted	0.330	Back Pack - Adult	0.450
5" Composite	0.340	Back Pack - Kids	0.250
5" Soft Roll Tyre	1.410	Seat Pouch	0.020
<b>Axle Plates (Pair)</b>		Spoke Guard	1.700
Small (14" - 15" Rear Seat Height)	0.162	Rear Anti-tips (Pair)	0.944
Medium (16" - 17" Rear Seat Height)	0.344	Caddy	0.500
Large (18" - 19" Rear Seat Height)	0.508	<b>Side Guards (Pair)</b>	
Total Weight (Total weights from above)		Aluminium side guard large	2.200
To determine chair weight, add weights from section A & B		Aluminium side guard small	1.640
		Fabric Sides Guard Kids	0.200
		Fabric Sides Guard Regular	0.250
		Plastic Sides Guard Regular	1.840
		Plastic Side Guards Kids	1.550
		Total Weight (Total weights from above)	Total Weight

**Please Note:** The following weights are approximations only.  
 There can be a variance of +/- 0.5lbs.

