



# QUICKIE Argon

● = Standard    ○ = No cost option    □ = Cost option

		£	€	
<b>SEAT UPHOLSTERY</b>				
<b>Seat sling</b>				Accessory Brochure page
	(with pad)			
3002	● 1 Utility bag			
3006	□ With two utility bags			
	(only from SW 36 cm)	£29	€ 48	4
3005	□ Catheter bag			
	(only from SW 32 cm)	£53	€ 85	4
3001	□ Without seat sling	-£23	-€ 37	
<b>For JAY Seating, see Jay order form</b>				
<b>Seat cushion with cover, black</b>				
3026	a) Foam composite Thickness:	□ 3 cm    □ 5 cm	(medium)	£36    € 58    5
3027	b) Latex Thickness:	□ 5 cm    □ 8 cm	(very soft)	£36    € 58    5
<b>Seat cushion with water resistant / breathable cover</b>				
3028	a) Foam composite Thickness:	□ 3 cm    □ 5 cm	(medium)	£71    € 117    5
3029	b) Latex Thickness:	□ 5 cm    □ 8 cm	(very soft)	£71    € 117    5
<b>Seat accessories</b>				
4049	□ Positioning belt with lock	£25	€ 41	11
3003	□ Spare cushion cover with zipper	£27	€ 44	11

All Sunrise Medical wheelchairs and powerchairs are compatible with **JAY** cushions and backrests, including our new range of **J3** backrests launching in summer 2008



Visit [www.jay3seating.eu](http://www.jay3seating.eu) or contact your local ASM for more information

<b>BACKREST</b>				
<b>Backrest (range)</b>	<b>25 - 30</b>	<b>30 - 35</b>	<b>35 - 40</b>	<b>40 - 45</b>
<b>Back height set at (cm)</b>	○ 25 ○ 27.5 ○ 30	○ 30 ○ 32.5 ○ 35	○ 35 ○ 37.5 ○ 40	○ 40 ○ 42.5 ○ 45
<b>Backrest frame</b>				
4018	○ Fixed back, angle adjustable		(74° to 102° adjustable)	(-16° to +12°)    6
4029	○ Foldable, angle adjustable		(74° to 102° adjustable)	(-16° to +12°)    7
4016	□ Double locking back		(for folding angle adjustable backrest)	£21    € 34    7
4020	□ Seat depth growth			£66    € 108    11
<b>Push handles</b>				
4054	○ Without push handles			
4022	○ Long			9
4024	□ Fold-down push handles		(not possible with back height 25 - 32.5 cm)	£79    € 128    9
4034	□ Height adjustable push handles			£105    € 171    9
4043	□ JAY Hardware height adj. push handles			£105    € 171    11
<b>Backrest upholstery</b>				
4032	○ Adjustable backrest upholstery			8
4038	□ Adjustable backrest with vented material			£61    € 99    8
4031	□ Without back upholstery			-£23    -€ 37

# QUICKIE ARGON

● = Standard    ○ = No cost option    □ = Cost option

£

€

ARMREST AND SIDEGUARDS					
Armrest		<i>(choose only one option)</i>		Accessory Brochure page	
4262	<input type="checkbox"/> Padded armrest Quickie style	(1)	£63	€ 103	13
4264	<input type="checkbox"/> Single post armrest height adjustable Quickie style		£105	€ 171	13
<b>Sideguards</b>					
4229	<input type="checkbox"/> Straight sideguard aluminium		£138	€ 224	14
4238	<input type="checkbox"/> Straight sideguard aluminium with fender	<i>(not in combination with rear height 35 - 38 cm with 24")</i>	£149	€ 243	14
4232	<input type="checkbox"/> Straight sideguard carbon fibre with fender	<i>(not in combination with rear height 35 - 38 cm with 24")</i>	£194	€ 316	14
4263	<input type="checkbox"/> Plastic detachable sideguards	(2)	£101	€ 164	15
	<input type="checkbox"/> Omit Side Guards/Armrests		std	std	
<b>Sideguards options and accessories</b>					
4233	<input type="checkbox"/> Slide back option, straight aluminium sideguards only	<i>(only with 4229 &amp; 4238)</i>	£40	€ 65	15

LEGREST & FOOTPLATES						
Footplates						
2106	● Tubular footrest	<i>(in SW 30 &amp; 32 cm only 3" &amp; 4" castors available)</i>	<i>(LLL 34 - 48 cm)</i>		19	
2105	<input type="checkbox"/> Tubular footrest with flat cover	<i>(in SW 30 &amp; 32 cm only 3" &amp; 4" castors available)</i>	<i>(LLL 34 - 48 cm)</i>	£42	€ 68	19
2101	<input type="checkbox"/> Platform footrest angle and depth adjustable	(6)	<i>(SW 30 &amp; 32 cm only 3" &amp; 4" castors)</i>	£64	€ 104	19
2133	<input type="checkbox"/> Foot positioning plate		<i>(only in combination with 2101 &amp; 2102)</i>	£39	€ 63	20
2120	<input type="checkbox"/> Divided footplates	(3)	<i>(LLL 38 - 48 cm)</i>	£71	€ 117	18
2102	<input type="checkbox"/> Platform footplates, aluminium		<i>(high mounted for lower leg length between 22 - 38cm)</i>	£71	€ 117	18

Lower leg length (LLL)		<i>(Attention: LLL has to be 2.5 cm lower than seat height front)</i>					
<input type="radio"/> 22	<input type="radio"/> 23	<input type="radio"/> 24	<input type="radio"/> 25	<input type="radio"/> 26	<input type="radio"/> 27	<input type="radio"/> 28	<input type="radio"/> 29
<input type="radio"/> 30	<input type="radio"/> 31	<input type="radio"/> 32	<input type="radio"/> 33	<input type="radio"/> 34	<input type="radio"/> 35	<input type="radio"/> 36	<input type="radio"/> 37
<input type="radio"/> 38	<input type="radio"/> 39	<input type="radio"/> 40	<input type="radio"/> 41	<input type="radio"/> 42	<input type="radio"/> 43	<input type="radio"/> 44	<input type="radio"/> 45
<input type="radio"/> 46	<input type="radio"/> 47	<input type="radio"/> 48					

**All measurements are in cm**

FRAME					
5803	<input type="radio"/> Fixed castor housing standard frame				
1270	<input type="radio"/> Frame angle 85° (EU 95°)				17
1241	<input type="radio"/> Frame angle 75° (EU 105°)				17
1280	Frame inset	<i>(each side of the frame)</i>	<i>(please refer to the frame inset table)</i>		
	<input type="radio"/> 0 cm				17
	<input type="radio"/> 2 cm	<i>(From 30cm seat widths only)</i>			17
	<input type="radio"/> 4 cm	<i>(From 36cm seat widths only)</i>			17

AXLE PLUG AND CENTRE OF GRAVITY (COG)					
Choose only one of the 8 choices		<i>(all measurements are in cm)</i>			<i>(choose only one option)</i>
<b>(measured in cm from front of back post)</b>					
<input type="radio"/>	2.00 cm				
<input type="radio"/>	3.20 cm				
<input type="radio"/>	4.40 cm				
<input type="radio"/>	5.60 cm				
<input type="radio"/>	6.80 cm				
<input type="radio"/>	8.00 cm				
<input type="radio"/>	9.20 cm				
<input type="radio"/>	10.40 cm				
5234	<input type="checkbox"/> Handbike	(4)	£171	€ 278	21
5184	<input type="checkbox"/> Suspension	(5)	£276	€ 449	21
	Weight range	<input type="radio"/> less 45 kg	<input type="radio"/> 45 - 86 kg	<input type="radio"/> 86 - 115 kg	
<i>Please pick customer's weight, if suspension is chosen</i>					<i>(all measurements are in cm)</i>

(1):	<b>not possible with back height 25 - 30 cm</b>	For more information visit our webpage <a href="http://www.sunrisemedical.com">www.sunrisemedical.com</a> OF-ARGON-EN-UK-04.02.2008-Rev5 Price List Page: 89
(2):	<b>seat width will be 1 cm smaller between the sideguards</b>	
(3):	<b>available with inset 0 cm from SW 32 cm, inset 2 cm from SW 36 cm, inset 4 cm from SW 40 cm</b>	
(4):	<b>please choose camber for both axles</b>	
(5):	<b>not in combination with anti tip, tip assist, travel wheels</b>	
(6):	<b>lower leg length 34-38cm</b>	

# QUICKIE ARGON

● = Standard    ○ = No cost option    □ = Cost option

		£	€	
<b>Frame accessories</b> <i>(choose either tip assist or anti-tip tubes, not both)</i>				
<b>Tip assist (step tube)</b>				Accessory Brochure page
1230	□ Left	£18	€ 29	<b>35</b>
1230	□ Right	£18	€ 29	<b>35</b>
1205	□ Crutch holder with Velcro <i>(only in combination with 1230)</i>	£40	€ 65	<b>34</b>
<b>Anti-tip tubes, swing-away</b>				
1244	□ Left	£53	€ 85	<b>34</b>
1244	□ Right	£53	€ 85	<b>34</b>
1244	□ Pair	£106	€ 170	<b>34</b>
1245	□ Quickie style anti tip tubes pluggable <i>(pair)</i>	£46	€ 76	<b>34</b>
1247	□ Transit wheel	£119	€ 193	<b>35</b>

<b>FORK</b> <i>(compare with your choice on the first page)</i>				
● Fork				
5854	□ Castor pin lock <i>(only with fork 118 mm)</i>	£50	€ 80	

<b>STANDARD CASTOR</b> <i>(compare with your choice on the first page)</i>				
5812	○ Solid			<b>24</b>
5823	○ Soft solid <i>(only for 6")</i>			<b>25</b>
5838	○ Pneumatic <i>(only for 7")</i>			<b>24</b>
<b>Light ups</b>				
5850	□ Solid <i>(only for 3" and 4")</i>	£39	€ 63	<b>25</b>
<b>Castor with aluminium rim</b>				
5852	□ Solid <i>(only for 4" and 5")</i>	£48	€ 79	<b>25</b>

<b>REAR WHEELS</b> <i>(compare with your choice on the first page; choose only one wheel type)</i>				
<i>NOTE: for users with higher user weight than 100 kg, we recommend cross spoked wheels</i>				
5171	○ Straight spoked <i>(pair) (not with 26")</i>			<b>26</b>
5172	○ Cross spoked <i>(pair)</i>			<b>26</b>
5137	○ Design wheel <i>(pair) (not with 22")</i>			<b>27</b>
5140	○ Light weight wheel <i>(pair)</i>	Std	Std	<b>27</b>
5159	□ Spinergy wheels <b>(1)</b> <i>(pair) (not with 22")</i>	£295	€ 423	<b>27</b>
5162	□ Mountain bike wheel <i>(only with 24", mountain bike tyres &amp; aluminium rim, black coated)</i>	£198	€ 323	
5162	□ Additional mountain bike wheel pair <i>(only with 24" &amp; mountain bike tyres)</i>	£298	€ 485	

<b>TYRES</b> (Not required for Mountain Bike wheels) <i>(choose only one tyre type)</i>				
5125	○ Standard slick			<b>28</b>
5124	○ Standard profile <i>(only 22" &amp; 24")</i>			<b>28</b>
5118	○ Light weight Inova <i>(only 24")</i>			<b>28</b>
5168	○ 24" Solid tyres <i>(Not available with lightweight wheels)</i>			<b>28</b>
5233	○ 22" x 1 3/8" puncture-proof <i>(Not available with lightweight wheels)</i>			<b>28</b>
5167	□ 24" Two grip "down town"	£56	€ 90	<b>29</b>
5164	□ 24" Marathon plus evolution (puncture resistant)	£49	€ 80	<b>29</b>

<b>HANDRIM</b> (Not required for Mountain Bike or Spinergy wheels)				
5142	○ Aluminium silver anodized <i>(only with light weight wheel)</i>			<b>30</b>
5144	○ Aluminium silver powdercoated <i>(only with 24" light weight wheel)</i>			<b>30</b>
5173	○ Aluminium black powdercoated <b>(2)</b> <i>(not with 22" or lightweight wheels)</i>			<b>30</b>
5183	□ Coloured aluminium pushrim. colour code: ..... <b>(2)</b> <i>(not with 22" or lightweight wheels)</i>	£38	€ 62	<b>30</b>
5174	○ Stainless steel <i>(not with 26" wheels)</i>			<b>30</b>
5122	□ Titanium <i>(not with 22" wheels)</i>	£111	€ 181	<b>30</b>
5121	□ Titanium clear powdercoated <i>(not with 22" wheels)</i>	£111	€ 181	<b>30</b>
5120	□ Supergrip <i>(only 24" wheels)</i>	£139	€ 226	
5163	□ Vertical projection pushrim <i>(only 24" wheels and not with light weight wheel)</i>	£132	€ 215	
Hand rim mounting ● Standard = 17mm    ○ Wide = 27mm <b>(2)</b>				
○ Close = 7mm <i>(only with stainless steel)</i>				
5178	□ Handrim cover <i>(only 22" and 24" and not with projections)</i>	£55	€ 89	

<b>WHEEL CAMBER</b> <i>(choose only one option)</i>				
5161	○ 0°	Handbike axle camber setting	○ 0° <b>(3)</b>	
5161	○ 3°		○ 3° <b>(3)</b>	
5161	○ 6°		○ 6° <b>(3)</b>	
5161	○ 9°		○ 9°	

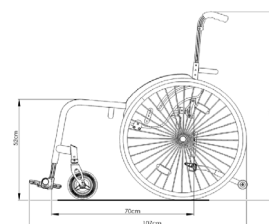
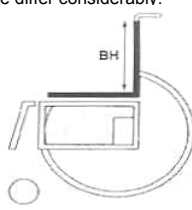
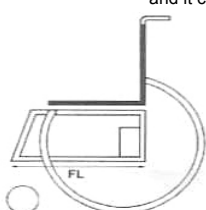
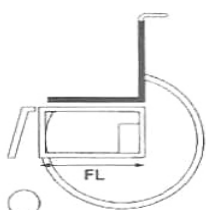
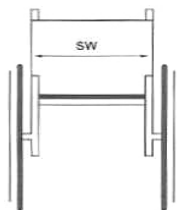
(1): not available with spokeguards  
 (2): not with light weight wheel (5140)  
 (3): handbike camber cannot be less than your std wheel camber

For more information  
 visit our webpage  
[www.sunrisemedical.com](http://www.sunrisemedical.com)

**Please follow measuring method:**

The following method is recommended on the basis of extensive practical experience. Deviations are possible in individual instances

- |   |  |   |  |
|---|--|---|--|
| <p><b>Seat width:</b></p> <p><b>a) For the user:</b><br/>Allow space between sideguard and between hip on each side of the chair (approx. 1 - 2 cm altogether).</p> <p><b>b) On the wheelchair:</b><br/>From outside frame tube to outside frame tube</p> | <p><b>Seat depth:</b></p> <p><b>a) For the user:</b><br/>When sitting upright: leave space for 2-3 fingers between front edge of seat upholstery and back of knee (approx. 3-6 cm). Care must be taken with adjustable upholstery.</p> <p><b>b) On the wheelchair:</b><br/>From back tube to front of seat upholstery.</p> | <p><b>Back height:</b></p> <p><b>a) For the user:</b><br/>Measured from the seat, including cushion, to be <b>no more</b> than one finger (1 - 2 cm) below the lower shoulderblade.<br/><b>Important!</b> The back height depends on the degree of disability.</p> <p><b>b) On the wheelchair:</b><br/>From seat tube to upper edge of backrest upholstery.<br/><b>Note:</b> The user's ability to sit upright has a major influence on the back height and it can therefore differ considerably.</p> | <p><b>Lower leg length:</b></p> <p><b>a) For the user:</b><br/>With legs angled at right angles, from back of knee to bottom of shoe sole.</p> <p><b>b) On the wheelchair:</b><br/>From front of seat to top of footrest.<br/><b>Remember:</b> to include the cushion height</p> |
|---|--|---|--|



<b>Overall width:</b>	<b>Overall width with:</b>	24"	26"
Overall width:	For 0° camber:	SW+22cm	SW+22cm
Max overall height 97 cm	For 3° camber:	SW+24cm	SW+28cm
Max overall length 107 cm	For 6° camber:	SW+30cm	SW+34cm
	For 9° camber:	SW+36cm	SW+40cm
	each with handrim distance std		

**Weights:**  
Minimum weight:  
approx 9.3 kg

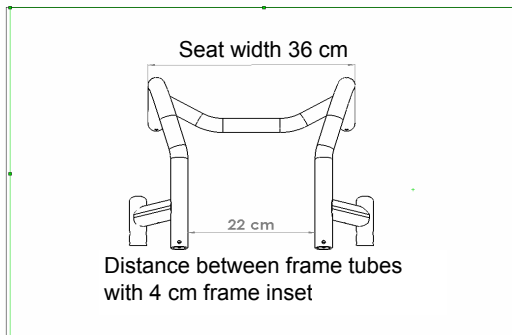
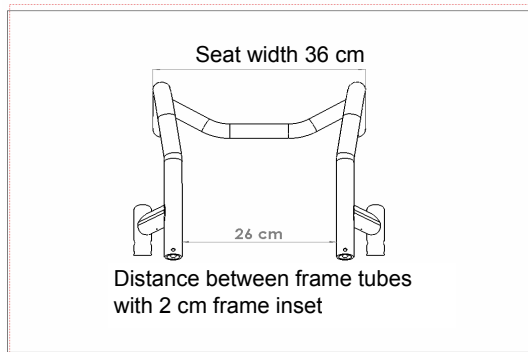
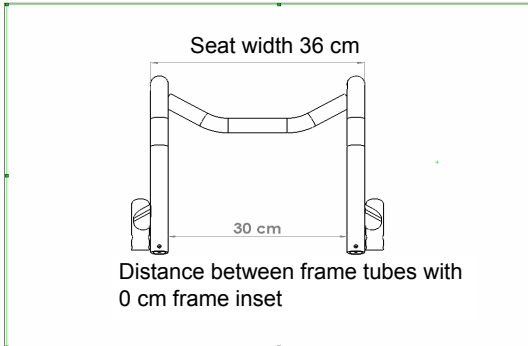
Please note that the matrix is based on a std configuration  
**Std chair 40 x 40 cm, 3° camber, 5.60 cm CoG**  
**Seat angle of 8°**  
All changes in the configuration might change the seat heights.  
Manufacturing tolerances of +/- 1 cm  
**NOTES:**  
Max seat height difference rear to front is 13 cm.  
A negative seat angle is possible  
**Please note that the matrix is based on a standard configuration**

**Possible seat height settings. IMPORTANT: measured without seat cushion!**

Argon - fixed front frame						
Type of caster	Type of fork	Seat height at front in cm	Seat height at rear in cm			
			22"	24"	26"	
3" solid	72 mm	41	33 - 41	35 - 41	n.a.	
	72 mm	42	33 - 42	35 - 42	42	
3" solid	118 mm	45	33 - 45	35 - 45	42 - 45	
	118 mm	46	33 - 45	35 - 46	42 - 46	
	118 mm	47	34 - 45	35 - 47	42 - 47	
	138 mm	47	34 - 45	35 - 47	42 - 47	
	138 mm	48	35 - 45	35 - 47	42 - 48	
	138 mm	49	36 - 45	36 - 47	42 - 49	
4" solid	118 mm	44	33 - 44	35 - 44	42 - 44	
	118 mm	45	33 - 45	35 - 45	42 - 45	
	118 mm	46	33 - 45	35 - 46	42 - 46	
	118 mm	47	34 - 45	35 - 47	42 - 47	
	118 mm	48	35 - 45	35 - 47	42 - 48	
	138 mm	46	33 - 45	35 - 46	42 - 46	
	138 mm	47	34 - 45	35 - 47	42 - 47	
	138 mm	48	35 - 45	35 - 47	42 - 48	
	138 mm	49	36 - 45	36 - 47	42 - 49	
	138 mm	50	37 - 45	37 - 47	42 - 49	
5" solid	118 mm	47	34 - 45	35 - 47	42 - 47	
	118 mm	48	35 - 45	35 - 47	42 - 48	
	118 mm	49	36 - 45	36 - 47	42 - 49	
	138 mm	48	35 - 45	35 - 47	42 - 48	
	138 mm	49	36 - 45	36 - 47	42 - 49	
	138 mm	50	37 - 45	37 - 47	42 - 49	
	138 mm	51	38 - 45	38 - 47	42 - 49	
6" soft solid	118 mm	49	36 - 45	36 - 47	42 - 49	
	118 mm	50	37 - 45	37 - 47	42 - 49	
	138 mm	49	36 - 45	36 - 47	42 - 49	
	138 mm	50	37 - 45	37 - 47	42 - 49	
	138 mm	51	38 - 45	38 - 47	42 - 49	
	138 mm	52	39 - 45	39 - 47	42 - 49	

## Frame inset table

Seat width	28 cm	30 cm	32 cm	34 cm	36 cm	38 cm	40 cm	42 cm	44 cm	46 cm	48 cm	50cm
Inset												
0 cm	22	24	26	28	30	32	34	36	38	40	42	44
2cm	n.a	n.a	22	24	26	28	30	32	34	36	38	40
4cm	n.a	n.a	n.a	n.a	22	24	26	28	30	32	34	36



# QUICKIE ARGON

● = Standard    ○ = No cost option    □ = Cost option

		£	€	
<b>Spoke guard</b>				Accessory Brochure page
5131	<input type="checkbox"/> Transparent <small>(only available in 22", 24" &amp; 26")</small>	£74	€ 120	
5127	<input type="checkbox"/> Rotation    5128 <input type="checkbox"/> Graphic    5129 <input type="checkbox"/> Bibbo <small>(only available in 22" &amp; 24")</small>	£74	€ 120	31
5130	<input type="checkbox"/> Fantasy    5134 <input type="checkbox"/> Galactica    5135 <input type="checkbox"/> Cheese <small>(only available in 22" &amp; 24")</small>	£74	€ 120	31


<b>WHEEL LOCKS</b>		<small>(choose only one option)</small>		
6009	<input type="radio"/> Standard wheel lock			32
6008	<input type="checkbox"/> Knee lever wheel lock (high mount wheel lock)	£34	€ 55	32
6004	<input type="radio"/> Scissor wheel lock <small>(available from SD 40 cm)</small>	£0	€ 0	33
<b>Wheel lock accessories</b>				
6016	<input type="checkbox"/> Extension for knee lever wheel lock, slip-on, swing-away <small>(only on 6008)</small>	£25	€ 41	32
6005	<input type="checkbox"/> Grade aid for high mount wheelback	£49	€ 80	33

<b>ACCESSORIES</b>				
● Tool kit				
1402	<input type="checkbox"/> High pressure pump	£47	€ 77	36
1403	<input type="checkbox"/> Air pump	£6	€ 11	36
4006	<input type="checkbox"/> Back pack	£36	€ 58	36
1405	<input type="checkbox"/> Net back bag	£14	€ 22	37
2118	<input type="checkbox"/> Bag caddy <small>(not with platform footplates 2102)</small>	£36	€ 58	37

<b>COLOURS</b>											
		Frame	Fork	Handrim (1)	Hub/rim (2)			Frame	Fork	Handrim (1)	Hub/rim (2)
			£29 € 46	£38 € 59	£105 € 163				£29 € 46	£38 € 59	£105 € 163
1	White Ral 9010	<input type="radio"/>	<input type="checkbox"/>	<input type="checkbox"/>	<input type="checkbox"/>	16	<b>Matt Marine</b>	<input type="checkbox"/> £58 € 81	<input type="checkbox"/>	<input type="checkbox"/>	<input type="checkbox"/>
2	Brilliant Silver	<input type="radio"/>	<input type="checkbox"/>	<input type="checkbox"/>	<input type="checkbox"/>	18	<b>Illusion Lapis</b>	<input type="checkbox"/> £84 € 117	<input type="checkbox"/>	<input type="checkbox"/>	<input type="checkbox"/>
3	<b>Matt Silver</b>	<input type="checkbox"/> £58 € 81	<input type="checkbox"/>	<input type="checkbox"/>	<input type="checkbox"/>	19	Brilliant Purple	<input type="radio"/>	<input type="checkbox"/>	<input type="checkbox"/>	<input type="checkbox"/>
4	Silver	<input type="radio"/>	<input type="checkbox"/>	<input type="checkbox"/>	<input type="checkbox"/>	20	<b>Matt Purple</b>	<input type="checkbox"/> £58 € 81	<input type="checkbox"/>	<input type="checkbox"/>	<input type="checkbox"/>
5	Silver Moon	<input type="radio"/>	<input type="checkbox"/>	<input type="checkbox"/>	<input type="checkbox"/>	21	Red Ruby	<input type="radio"/>	<input type="checkbox"/>	<input type="checkbox"/>	<input type="checkbox"/>
6	Sun Yellow	<input type="radio"/>	<input type="checkbox"/>	<input type="checkbox"/>	<input type="checkbox"/>	22	Brilliant Red	<input type="radio"/>	<input type="checkbox"/>	<input type="checkbox"/>	<input type="checkbox"/>
7	Brilliant Lime	<input type="radio"/>	<input type="checkbox"/>	<input type="checkbox"/>	<input type="checkbox"/>	23	<b>Matt Red</b>	<input type="checkbox"/> £58 € 81	<input type="checkbox"/>	<input type="checkbox"/>	<input type="checkbox"/>
8	<b>Matt Lime</b>	<input type="checkbox"/> £59 € 81	<input type="checkbox"/>	<input type="checkbox"/>	<input type="checkbox"/>	24	Tutti Fruitti Orange	<input type="radio"/>	<input type="checkbox"/>	<input type="checkbox"/>	<input type="checkbox"/>
9	Candy Teal	<input type="radio"/>	<input type="checkbox"/>	<input type="checkbox"/>	<input type="checkbox"/>	25	Amethyst Fantasy	<input type="radio"/>	<input type="checkbox"/>	<input type="checkbox"/>	<input type="checkbox"/>
10	<b>Matt Candy Teal</b>	<input type="checkbox"/> £58 € 81	<input type="checkbox"/>	<input type="checkbox"/>	<input type="checkbox"/>	27	Graphite Metallic	<input type="radio"/>	<input type="checkbox"/>	<input type="checkbox"/>	<input type="checkbox"/>
12	Forest Green	<input type="radio"/>	<input type="checkbox"/>	<input type="checkbox"/>	<input type="checkbox"/>	28	Platinum Metallic	<input type="radio"/>	<input type="checkbox"/>	<input type="checkbox"/>	<input type="checkbox"/>
13	<b>Flip Flop Blue/Green</b>	<input type="checkbox"/> £84 € 117	<input type="checkbox"/>	<input type="checkbox"/>	<input type="checkbox"/>	29	Black (RAL 9005)	<input type="radio"/>	<input type="checkbox"/>	<input type="checkbox"/>	<input type="checkbox"/>
14	Blue	<input type="radio"/>	<input type="checkbox"/>	<input type="checkbox"/>	<input type="checkbox"/>	30	<b>Mystery</b>	<input type="checkbox"/> £84 € 117	<input type="checkbox"/>	<input type="checkbox"/>	<input type="checkbox"/>
15	Brilliant Marine	<input type="radio"/>	<input type="checkbox"/>	<input type="checkbox"/>	<input type="checkbox"/>	<b>(1) Design and Universal wheels only      (2) Only with Universal wheels</b>					

<b>Upholstery colour</b>		<small>(vented only in black)</small>
Black	<input type="radio"/>	
Red	<input type="radio"/>	
Dark blue	<input type="radio"/>	
Purple	<input type="radio"/>	
Blue	<input type="radio"/>	
Signal pink	<input type="radio"/>	

**Comments for special build:**



<b>Argon - Basic Price</b>	£1,470	€ 2,348
Option price	£	€
Packaging and transport	NA	NA
Exclusive VAT	NA	NA
VAT.	£	€
<b>Total Price</b>	£	€

