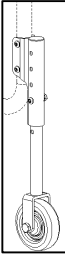
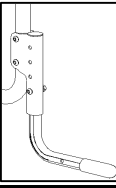
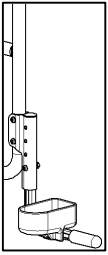
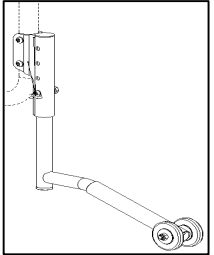
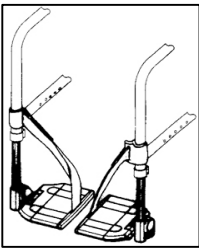
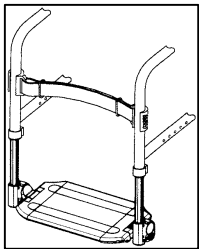
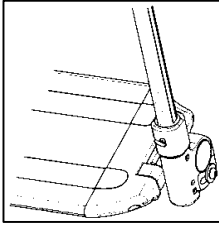
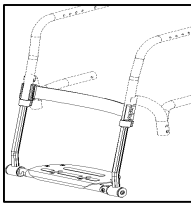
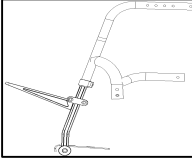



Quickie® EasyMax

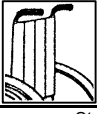
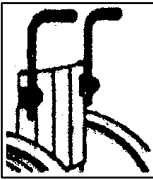

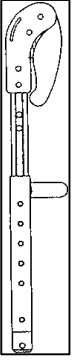
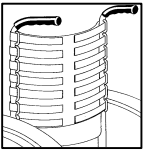
Please ask for details on how to order on line @
tcom.sunrisemedical.co.uk

Purchase Order (Repeat on all pages):

FRAME												
Transit wheels (1247) (Cannot be used in combination with tip-tube, crutch holder or swing-away anti-tip tube)		Tip-tube (1230) Mounting <input type="checkbox"/> Right <input type="checkbox"/> Left		Crutch Holder (1205) (only in combination with tip-tube)		Swing-away Anti-tip tube (1244) (Cannot be used in combination with tip-tube or transit wheels) Mounting <input type="checkbox"/> Right <input type="checkbox"/> Left						
<input type="checkbox"/> PR 119	€193	<input type="checkbox"/> PC 18	€29	<input type="checkbox"/> PR 36	€58	<input type="checkbox"/> PC 40	€65	<input type="checkbox"/> PC 53	€85	<input type="checkbox"/> PR 105	€171	

FOOTREST											
Footrest divided, Aluminium, angle-adjustable, with calf-strap Diagonal (2120)		Footboard, straight Aluminium, angle-adjustable, with calf-strap Horizontal (2119)		Swing-away mechanism for footboard (2117) ← Only in combination with a footboard (2119)		Lightweight footboard straight aluminium angle adjustable with calf-strap (2131) (Not in combination with Swing-away mech (2117)) Min. LLL= 36 cm (14")		Caddy (2118) Min. LLL = 36 cm (14")		Footrest side positioning plates (2133) Only in combination with lightweight footboard	
<input type="checkbox"/> PR 30	€50	<input type="checkbox"/> PC Std		<input type="checkbox"/> PC 84	€137	<input type="checkbox"/> PC 87	€142	<input type="checkbox"/> PR 36	€58	<input type="checkbox"/> PR 29	€48
										Tubular footrest (2111) Angle adjustable	

SEAT												
<input type="checkbox"/> Seat upholstery (3002) <input type="checkbox"/> Without seat upholstery (3001)	Seat cushion a) Medium Foam (3026) Thickness <input type="checkbox"/> 3 cm (1") <input type="checkbox"/> 5 cm (2") with std cover		seat cushion b) Soft Latex (3027) Thickness <input type="checkbox"/> 3 cm (1") <input type="checkbox"/> 5 cm (2") with std cover		Seat cushion GORTEX a) Medium Foam (3026) Thickness <input type="checkbox"/> 3 cm (1") <input type="checkbox"/> 5 cm (2") with water resistant cover		seat cushion GORTEX b) Very Soft Latex (3027) Thickness <input type="checkbox"/> 3 cm (1") <input type="checkbox"/> 5 cm (2") with water resistant cover		Additional seat cushion cover only with zipper, black(3003)			
	-£17	-€28	PC 36	58	PC 71	116	PC 71	116	PC 71	116	<input type="checkbox"/> PC 22	€36


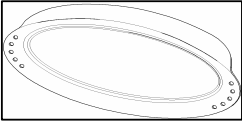
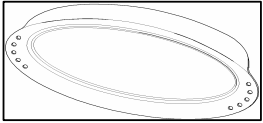
BACKREST														
Backrest standard (4005)		Adjustable upholstery with air exchange cover (4038) (Only possible in black)	Fixed push handles (4022) <input type="checkbox"/> P Std			Fixed push handles with short handles (without hand grip cover)			Height adjustable Push handles (4034) (Push handle height adjustment is limited in combination with rearward lumbar bend) (4040) (Not in combination with Half Folding Backrest)		Half-folding backrest (4023) (Not in combination with fold-down or height adjustable push handles)		Fold-down push handles (4024) (If backrest is between 27.5cm & 32.5cm this option is not available in combination with Std Upholstery, Half folding back, Lumbar Bend, Angle adj. Back or flip-up armrests)	
<input type="checkbox"/> Std			<input type="checkbox"/> 61	€99	<input type="checkbox"/> PR N/C		<input type="checkbox"/> PR 105	€171	<input type="checkbox"/> PR 71	€116	<input type="checkbox"/> PR 79	€128		
Adjustable upholstery with nylon cover (4032)														
<input type="checkbox"/> N/C														
Without upholstery (4031)														
<input type="checkbox"/>	-£21	-€34												

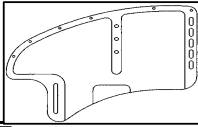
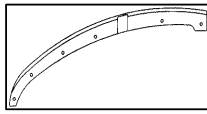
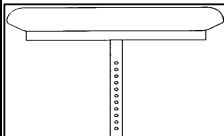
Lumbar bend (4040) (Recommended for use with adjustable upholstery) <input type="checkbox"/> 5° forward <input type="checkbox"/> 10° forward <input type="checkbox"/> 5° backward	Hip belt with lock (4049)	Angle adjustable back (1236) -9° to +9° in 3° increments (pre-settings 3° forwards) (not available with: std upholstery (4005), sideguard (4229), armrest (4262) or half-folding (4023)) (Back height 27.5cm - 32.5cm is not available in combination with height adj. push handles and fold down push handles)											
<input type="checkbox"/> 37	€60	<input type="checkbox"/> 25	€41									<input type="checkbox"/> 101	€164

Quickie® EasyMax

Purchase Order (Repeat on all pages):

Please ask for details on how to order on line @
tcom.sunrisemedical.co.uk








SIDE GUARD			
Aluminium sideguard, with cold protection (4243)  <input type="checkbox"/> Cold protection <input type="checkbox"/> Mounted <input type="checkbox"/> Separate	Side guard with fender (aluminium) with cold protection (4238)  <input type="checkbox"/> Cold protection <input type="checkbox"/> Mounted <input type="checkbox"/> Separate	Flip-up mechanism for sideguard (4233) (only in combination with sideguard aluminium (4243) and fender guard (4238))	Side guard with fender (CARBON) cold protection (4232)  <input type="checkbox"/> Cold protection <input type="checkbox"/> Mounted <input type="checkbox"/> Separate
<input type="checkbox"/> PC 138 €224	<input type="checkbox"/> PC 149 €243	<input type="checkbox"/> PC 40 €65	<input type="checkbox"/> PR 194 €316

SIDE GUARDS & ARMRESTS			
Armrest, flip-up, screw-on (4262) from BH 35cm (14") (Not in combination with std backrest/lumbar bend, height adjustable push handles and angle adjustable back)	Aluminium sideguard, with cold protection (4229) (Not in combination with 4233 and 1236) 	← Both of these options can be combined with aluminium sideguard as desired →	Clothing guard, composite riveted (4228)  Armrest, height adjustable, screw-on (4227) (Only in combination with aluminium sideguard (4229)) 
<input type="checkbox"/> PR 50 €82	<input type="checkbox"/> PR 81 €132	<input type="checkbox"/> PR 40 €65	<input type="checkbox"/> PR 50 €82

REAR WHEEL			
Design wheel: <input type="checkbox"/> 24" Radial spoked (5137)	Lightweight wheel: <input type="checkbox"/> 24" MBL Straight spoked (5139) (No puncture proof tyres possible. Only in combination with titanium, stainless steel and aluminium silver clear coated pushrims)	24" Mountain bike wheel (5162) (Only available with mountain bike tyres and always with aluminium handrim, black) (Not available with spokeguards)	24" Mountain bike wheel additional pair (Only available with mountain bike tyres and always with aluminium handrim, black) (Not available with spokeguards)
PR Std	<input type="checkbox"/> PR	N/C N/C	<input type="checkbox"/> 198 €323 298 €485

Tyres: <input type="checkbox"/> 1" Slicks/ pneumatic (5125) Std <input type="checkbox"/> 1" Profiled/ pneumatic (5124) N/C <input type="checkbox"/> 1" Slicks/ puncture-proof (5168) N/C <input type="checkbox"/> 1" Profiled/ pneumatic lightweight tyre (5118) N/C (Only in combination with MBL lightweight wheel) <input type="checkbox"/> Two grip Downtown(5167) 34 €55 <input type="checkbox"/> Marathon Plus Evolution 24" 49 €80	Handrim: <input type="checkbox"/> Aluminium, silver clear anodised (5142)* N/C <input type="checkbox"/> Aluminium, silver clear-coated (5144)* N/C *(Only in combination with MBL lightweight wheel)* <input type="checkbox"/> Aluminium, black (5173) Std <input type="checkbox"/> Stainless steel, polished (5174) N/C <input type="checkbox"/> Titanium, clearcoated (5121) 111 €181 <input type="checkbox"/> Titanium, blank (5122) 111 €181 <input type="checkbox"/> Supergrip foamed (5120) 139 €226	Handrim mounting: (-) Distance between rim and handrim in mm <input type="checkbox"/> Mounting wide (27) N/C <input type="checkbox"/> Standard mounting close (17) Std <input type="checkbox"/> Mounting super close (7) 58 €94 (Only possible on stainless steel handrim)
PR	PR	PR

0° camber with quick release wheels	24" handrim cover (Not suitable for titanium handrim)	Adaptor for variable camber adjustment (5161) Camber <input type="checkbox"/> 1° <input type="checkbox"/> 2° <input type="checkbox"/> 3° <input type="checkbox"/> 4°
PR Std	<input type="checkbox"/> 72 €118	PR 18 €29

SPOKE GUARDS						
<input type="checkbox"/> Clear (5131) (22", 24" or 26")	<input type="checkbox"/> Fantasy (5130) (22" and 24" only)	<input type="checkbox"/> Bibbo (5129) (22" and 24" only)	<input type="checkbox"/> Rotation (5127) (22" and 24" only)	<input type="checkbox"/> Grafik (5128) (22"/24" only)	<input type="checkbox"/> Cheese (5135) (22" and 24" only)	<input type="checkbox"/> Galactica (5127) (22"/24" only)
						
74 €120	74 €120	74 €120	74 €120	74 €120	74 €120	74 €120

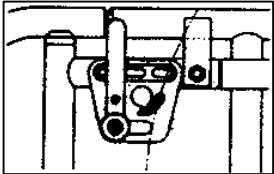
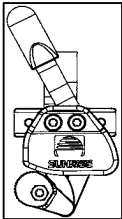
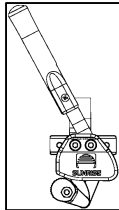
Quickie® EasyMax

Purchase Order (Repeat on all pages):

Please ask for details on how to order on line @

tcom.sunrisemedical.co.uk

CASTOR				SPECIAL DEPARTMENT			
Seat height in cm", see possible wheel combinations on page 2 Front: _____ (Standard 50cm/20") Rear: _____ (Standard 46cm (18"))	Castor:		Fork:		Specials are available on this product		
	<input type="checkbox"/> 4" solid rubber (5820) N/C	<input type="checkbox"/> 5" solid rubber (5822) Std	<input type="checkbox"/> Rigid axle	Std			
<input type="checkbox"/> 6" soft (5823) N/C	Adjustment kit for front seat height (5849)						
<input type="checkbox"/> 4" Light-up wheel (5815)	PR	39	€63	<input type="checkbox"/> PR	29	€48	<input type="checkbox"/> Please refer to Specials order form

BRAKE			
Standard wheel lock (6009) 	Knee lever brake (6008) 	Extension for Knee lever brake foldable (6016) 	S Brake (6004) (not available on SA Easymax or short frame 38-42cm)
PR Std	<input type="checkbox"/> PR 42 €68	<input type="checkbox"/> PR 25 €41	PR Std

EASY^{max} - Lightweight Wheelchair Part. No. 765 900 000	Basic price	£	1,335	€	2,172
	Options	£		€	
	Total Price	£		€	

FOOTNOTES:

1 The -2.5cm (1") and +2.5cm (1") are measured from the back height chosen from the back height section

Purchase Order (Repeat on all pages):

Please follow measuring method:

The following method is recommended on the basis of extensive practical experience. Deviations are possible in individual instances.

Seat width:

a) For the user:

Allow space of sideguard to pass vertically between hip and sideguard on each side (approx. 1 - 2 cm altogether).

b) On the wheelchair:

From outside frame tube to outside frame tube

Seat depth:

a) For the user:

When sitting upright: leave space for 2-3 fingers between front edge of seat upholstery and back of knee (approx. 3-6 cm). Care must be taken with adjustable upholstery.

b) On the wheelchair:

From back tube to front of seat upholstery.

Back height:

a) For the user:

Measured from the seat, including cushion, to **no more** than one finger (1 - 2 cm) below the lower shoulderblade.

Important! The back height depends on the degree of disability.

b) On the wheelchair:

From seat tube to upper edge of backrest upholstery.

Note: The user's ability to sit upright has a major influence on the back height and it can therefore differ considerably.

Lower leg length:

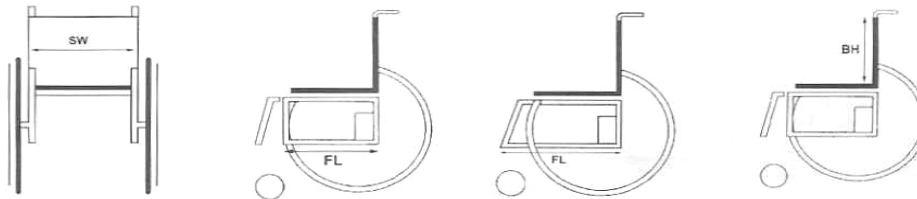
a) For the user:

With legs angled at right angles, from back of knee to bottom of shoe sole.

b) On the wheelchair:

From front of seat to top of footrest.

Remember: to include the cushion height



Fork Position:

Possible position for castor 6" Soft Only - Position 1 (..... Position)
 Possible position for castor 5" - Position 1 and 2 (..... Position)
 Possible position for castor 4" - Position 1, 2 and 3 (All Positions)

Weights:

Footrests	0,80 kg
Sideguards carbon	0,14 kg
Sideguards aluminium	0,41 kg
Design wheel with steel handrim	2,30 kg
DT wheel with aluminium handrim (silver coated)	1,80 kg
Wheelchair without sideguards, footrest and rear wheels	6,40 kg

LLL max:

Determined by front seat height -25mm foot clearance

22.5cm (9")

Frame:

29cm (11.5")

Basis short frame

Frame length without footrest short 563 mm (22")

Frame length without footrest long 613 mm (24")

Folded size:

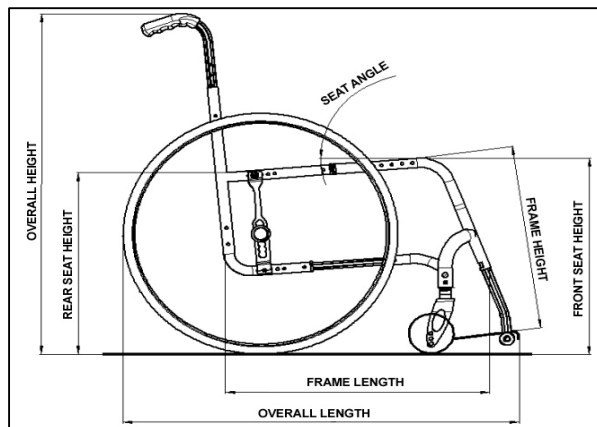
Without rear wheels

With rear wheels

Total width:

With Design wheels handrim mounting close included:

SW + 17 cm (7")



Possible seat height settings: Attention: measured without seat cushion

	Frame with integrated footrest	
	Front SH (cm)	Rear SH (cm)
Castor 6"	50cm	44cm, 45cm, 46cm, 47cm
	51cm	44cm, 45cm, 47cm, 48cm, 50cm
	52cm	45cm, 47cm, 48cm, 50cm
	53cm	47cm, 48cm, 50cm
Castor 5"	48cm	43cm, 45cm, 46cm, 47cm
	49cm	43cm, 44cm, 46cm, 47cm
	50cm	43cm, 44cm, 46cm, 47cm, 48cm, 49cm
	51cm	44cm, 45cm, 46cm, 47cm, 48cm, 49cm, 50cm
Castor 4"	52cm	47cm, 48cm, 50cm
	46cm	43cm, 45cm
	47cm	43cm, 45cm, 46cm
	48cm	43cm, 44cm, 45cm, 46cm, 48cm
	49cm	43cm, 44cm, 45cm, 46cm, 47cm
	50cm	43cm, 44cm, 46cm, 48cm, 49cm
	51cm	47cm, 48cm, 50cm

	Frame with swing-away footrest	
	Front SH (cm)	Rear SH (cm)
Castor 6"	48cm	42cm, 43cm, 44cm, 45cm
	49cm	42cm, 43cm, 44cm, 45cm, 47cm
	50cm	43cm, 45cm, 47cm, 48cm
Castor 5"	47cm	42cm, 43cm, 44cm, 46cm
	48cm	42cm, 44cm, 46cm, 47cm
	49cm	42cm, 43cm, 45cm, 46cm, 48cm
Castor 4"	46cm	43cm, 45cm
	47cm	43cm, 44cm, 46cm
	48cm	42cm, 44cm, 46cm

