


<b>ORDER FORM</b>	<b>4th February 2008</b>
<b>Quickie® Youngster 3</b>	
	Failure to use an order form for a Quickie chair order may result in delay or wrong shipment

Please send all orders to:  
**Fax:** +44 (0)1384 44 66 44  
**Tel:** +44 (0)1384 44 66 66

Please ask for details on how to order on line @  
**tcom.sunrisemedical.co.uk**

Invoice to:  
 Name:  
 Street:  
 Town:  
 Postal Code:  
 Country:  
 Telephone: \_\_\_\_\_ Fax: \_\_\_\_\_

Ship to:  
 Name:  
 Street:  
 Town:  
 Postal Code:  
 Country:  
 Telephone: \_\_\_\_\_ Fax: \_\_\_\_\_

Order Date:  
 Purchase Order (Repeat on all pages):  
 Number Required:

Marked for:  
 Sunrise Order No:

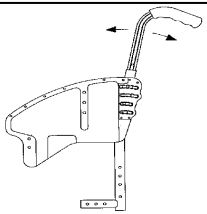
<b>Base Price</b>	<b>£1,100</b>	<b>€1,790</b>
-------------------	---------------	---------------

Part. No. 840 900 000, Light metal finish.  
 R = Right, L = Left, PC = piece, PR = Pair, £/€ = Price for options  
 N/C = No Cost Option, Std = Standard  
 Measurements may vary +/- 0,5 cm

- ◆ **Maximum user weight limit 75kg (12st)**
- ◆ **5 Year warranty**

BASIC MEASUREMENTS						
<b>Please note the procedure of measurement at the back</b>						
<b>Standard seat width (SW):</b> <input type="checkbox"/> 22cm <input type="checkbox"/> 24cm <input type="checkbox"/> 26cm <input type="checkbox"/> 28cm <input type="checkbox"/> 30cm <input type="checkbox"/> 32cm <input type="checkbox"/> 34cm <input type="checkbox"/> 36cm <input type="checkbox"/> 38cm <input type="checkbox"/> 40cm <b>Seat depth (SD) (Short Frame):</b> <input type="checkbox"/> 24cm <input type="checkbox"/> 26cm <input type="checkbox"/> 28cm <input type="checkbox"/> 30cm <b>Seat depth (SD) (Long frame):</b> <input type="checkbox"/> 30cm <input type="checkbox"/> 32cm <input type="checkbox"/> 34cm <input type="checkbox"/> 36cm <input type="checkbox"/> 38cm <input type="checkbox"/> 40cm <b>Back height (BH):</b> <input type="checkbox"/> 25cm <input type="checkbox"/> 30cm <input type="checkbox"/> 35cm <input type="checkbox"/> 40cm (Adjustable +/- 2.5cm)	<b>Lightweight package:</b> <input type="checkbox"/> Lightweight rear wheel (with aluminium handrim and slick pneumatic tyres). Plus lightweight carbon fibre look sideguard.	<b>Lower Leg Length (LLL):</b> <input type="checkbox"/> Long, min. 10cm, max. 45cm (without seat cushion)  LLL <input type="text" value="....."/> cm  <b>Attention: max. LLL = SH - 2,5 cm (1")</b>	<table border="1"> <tr> <td></td> <td>£243</td> <td>€395</td> </tr> </table>		£243	€395
	£243	€395				

FRAME COLOUR		COLOUR OPTIONS				
<b>Gloss Finish:</b> <input type="radio"/> 1 White Ral 9010 <input type="radio"/> 15 Brilliant Marine <input type="radio"/> 2 Brilliant Silver <input type="radio"/> 19 Brilliant Purple <input type="radio"/> 4 Silver <input type="radio"/> 21 Red Ruby <input type="radio"/> 5 Silver Moon <input type="radio"/> 22 Brilliant Red <input type="radio"/> 6 Sun Yellow <input type="radio"/> 24 Tutti Frutti Orange <input type="radio"/> 7 Brilliant Lime <input type="radio"/> 26 Silver Texture <input type="radio"/> 9 Candy Teal <input type="radio"/> 27 Graphite Metallic <input type="radio"/> 12 Forest Green <input type="radio"/> 28 Platinum Metallic <input type="radio"/> 14 Blue <input type="radio"/> 29 Black	<b>Matt Finish:</b> <input type="checkbox"/> 3 Matt Silver <input type="checkbox"/> 8 Matt Lime <input type="checkbox"/> 10 Matt Candy Teal <input type="checkbox"/> 16 Matt Marine <input type="checkbox"/> 20 Matt Purple <input type="checkbox"/> 23 Matt Red  <b>Special Finish:</b> <input type="checkbox"/> 13 Flip Flop Blue/Green <input type="checkbox"/> 18 Illusion Lapis <input type="checkbox"/> 25 Amethyst Fantasy <input type="checkbox"/> 30 Mystery	<b>Upholstery Colour:</b> <input type="checkbox"/> Nylon 26 Black <input type="checkbox"/> Nylon 30 Red <input type="checkbox"/> Nylon 31 Dark blue <input type="checkbox"/> Nylon 39 Purple <input type="checkbox"/> Nylon 40 Blue <input type="checkbox"/> Nylon 41 Signal Pink  <b>NOTE:</b> Vented upholstery only available in black	<input type="checkbox"/> Universal Hub/rim Colour _____ (Please note the no. of colour here) <table border="1"> <tr> <td></td> <td>£105</td> <td>€163</td> </tr> </table> <input type="checkbox"/> Handrim Colour (5813) (Only 24" Aluminium, colour coated 214) _____ (Please note the no. of colour here)		£105	€163
	£105	€163				
Std	£84	€117	Std	£29	€47	

FRAME						
<input type="checkbox"/> Straight frame (1271)  Std	<input type="checkbox"/> Adjustable fixed angle backrest (1236) (Only in combination with sideguard 4224 & 1111)  <input type="checkbox"/> 87° <input type="checkbox"/> 90° <input type="checkbox"/> 95° <input type="checkbox"/> 100° <input type="checkbox"/> 105°		<b>Seat Depth Enlargement:</b> <input type="checkbox"/> Increases seat depth by 5cm allowing better COG adjustment when used in combination with seat shells (8500)	<b>Recine Back:</b> <input type="checkbox"/> Special Build only For seat depths 28cm and above Infinite back recline from -3° to 27°  Price includes sideguard - no clothing guard or transit brackets available (Additional lead time of 10 working days) SB1388		
Std	£105	€171	£156	€255	£331	€538

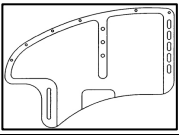
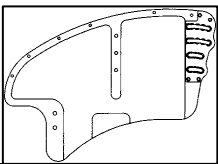
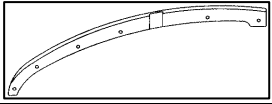
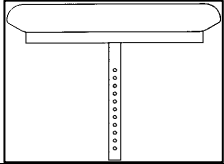

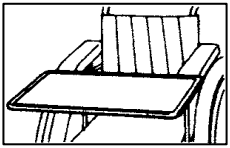


# Quickie® Youngster 3

Purchase Order (Repeat on all pages):

Please ask for details on how to order on line @  
**tcom.sunrisemedical.co.uk**

BACKREST (Continued)										
<input type="checkbox"/> Foam back cushion with cover (4035)  Thickness: 3 Hardness: Medium		<input type="checkbox"/> Latex back cushion with cover (4036)  Thickness: 5 Hardness: Very soft		<input type="checkbox"/> Padded solid back suspended via backtube (4025)  (Seat depth is reduced by approx 3cm)		<input type="checkbox"/> Safety belt with lock (4049)  24      €39  <input type="checkbox"/> Net, black (1405)		<input type="checkbox"/> Jay Fit belt (Order with cushion and a minimum 26cm seat width)  <input type="checkbox"/> 90° attachment (seat rail mounted) <input type="checkbox"/> 45° attachment (backrest frame mounted)		
49	€80	49	€80	105	€171	14	€22	34	€55	

SIDEGUARDS & ARMRESTS										
<input type="checkbox"/> Straight aluminium sideguard with cold protection (4229) 		<input type="checkbox"/> Aluminium sideguard for fixed angle adjustable back with cold protection (4224) 		<input type="checkbox"/> Lightweight carbon fibre look sideguard with integrated clothing guard (4234)  (Not in combination with 4228, 4229 or 4227)		<input type="checkbox"/> Composite clothing composite riveted guard (4228) (Must be ordered with either 4229 or 4224) 		<input type="checkbox"/> Height adjustable armrest short, screw-on (4227) (must be ordered with 4229 or 4224) 		
81	€132	92	€150	130	€212	39	€63	50	€82	
<input type="checkbox"/> Height adjustable armrest long, screw-on (4227) (must be ordered with 4229 or 4224) 		<input type="checkbox"/> Composite fender, screw-on, back (4241)  (Not in combination with 4228)		<input type="checkbox"/> Height adjustable tray table (4242) (Includes armrest 4227) 		<input type="checkbox"/> Flip-down therapy table (4225) (For seat widths 26 - 36cm)  (Only in combination with 4227)  <b>Attachment:</b> <input type="checkbox"/> Right <input type="checkbox"/> Left				
50	€82	128	€208	82	€133	113	€185			

REAR WHEELS											
<b>Rear wheel size:</b>  <input type="checkbox"/> 22" Quick release axle <input type="checkbox"/> 24" Quick release axle  (Not with short frame)		<b>Rear wheel type:</b>  <input type="checkbox"/> Cross spoked (5172)  <input type="checkbox"/> Straight spoked (5171) (24" only)		<input type="checkbox"/> Rear wheel with drum brakes for companion, quick release axle (5154)  (Cross spoked) (No colour coat possible) (No one arm drive)		<input type="checkbox"/> Lightweight wheel (5140)  (540g weight saving excluding handrims) Available in 22" & 24" and comes with aluminium handrim (5175) and slickpneumatic tyres (5120)		<input type="checkbox"/> One-arm drive with quick-release axle (5176) <input type="checkbox"/> Right <input type="checkbox"/> Left  (One-arm brake not inc.) (No colour coat, no camber adjustment, no drumbrakes) (Only with cross-spoked rear wheels) (Min seat width 28cm)			
	Std		Std	228	€371	132	€215	607	€987		
<b>Tyre type:</b>  <input type="checkbox"/> 1" Pneumatic slick (5125)  <input type="checkbox"/> 1" Pneumatic profiled (5124)		<input type="checkbox"/> 24" x 1" Puncture proof slick (5168)  <input type="checkbox"/> 22" x 1 3/8" Puncture proof (5233)		<b>Handrims (Standard attachment close (17mm):</b> <input type="checkbox"/> 24" Aluminium black powder coated (5173) <input type="checkbox"/> 22" anodised silver (5123) <input type="checkbox"/> 22" & 24" polished stainless steel (5174) <input type="checkbox"/> 24" Titanium (5122) <input type="checkbox"/> 24" Titanium clear powder coated (5121) <input type="checkbox"/> 22" & 24" Suregrip foamed (5120) <input type="checkbox"/> 22" & 24" Projection (5163) <input type="checkbox"/> Distant attachment (27mm) (5143) <input type="checkbox"/> Super close attachment (24" S/steel only) (5122)				<input type="checkbox"/> Handrim cover (5178)  <input type="checkbox"/> 22" <input type="checkbox"/> 24"			
	N/C		N/C								
						58	0	€94			
								58	€94		

**NOTE:** Aluminium handrims become hot as a result of extensive friction

# Quickie® Youngster 3

Please ask for details on how to order on line @







[tcom.sunrisemedical.co.uk](http://tcom.sunrisemedical.co.uk)

Purchase Order (Repeat on all pages):

## REAR WHEELS (Continued)

<input type="checkbox"/> High pressure pump - 0 - 14 bar (1402)	<input type="checkbox"/> Air pump (1403)	<input type="checkbox"/> Adaptor for variable camber adjustment (5161)	
		<input type="checkbox"/> 1° <input type="checkbox"/> 2° <input type="checkbox"/> 3° <input type="checkbox"/> 4°	
43	€70	6	€10
		30	€50
			1.05

## SPOKE GUARDS

<input type="checkbox"/> Fantasy (5130)	<input type="checkbox"/> Bibbo (5129)	<input type="checkbox"/> Rotation (5127)	<input type="checkbox"/> Grafik (5128)	<input type="checkbox"/> Transparent (5131)	<input type="checkbox"/> Galactica (5134)	<input type="checkbox"/> Cheese (5135)
						
74	€120	74	€120	74	€120	74
						€120


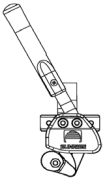
## FRONT CASTORS

<b>Castor:</b> <input type="checkbox"/> 4" Solid rubber (5820) <input type="checkbox"/> 5" Solid rubber (5822) <input type="checkbox"/> 6" Solid rubber (5821) <input type="checkbox"/> 6" Pneumatic (5839) <input type="checkbox"/> 6" Soft (5823)	<b>Castor fork:</b> <input type="checkbox"/> Short - 118mm (5806) <input type="checkbox"/> Medium - 138mm (5807) <input type="checkbox"/> Long - 147mm (5808)
Std	
<b>Light up castors:</b> <input type="checkbox"/> 4" Solid (5815)	
39	€63
	Std

## SEAT HEIGHT

<b>Front seat height:</b> <input type="checkbox"/> _____ cm (See seat height matrix) (Height may vary by +/- 5mm and are subject to correct selection of castor and castor fork)	<b>Rear seat height:</b> <input type="checkbox"/> _____ cm (See seat height matrix) (Height may vary by +/- 5mm and are subject to correct selection of rear wheel size)
<b>TRANSIT BRACKETS</b>	
<input type="checkbox"/> Designed to be compliant with ISO 7176 Part 19 dynamic test requirements (x4 brackets)	
	116

## WHEEL LOCKS

<input type="checkbox"/> High mount wheel lock (6008)		<input type="checkbox"/> Extension for high mount wheel lock (6016)	
	Std	Pair	24
			€39

Quickie Youngster 3 Wheelchair Part. No. 840 900 000	Basic price	£	1,110	€	1,806
	Options	£		€	
	Total Price	£		€	

# Quickie® Youngster 3

Purchase Order (Repeat on all pages):

Please ask for details on how to order on line @  
**tcom.sunrisemedical.co.uk**

## Please follow measuring method:

The following method is recommended on the basis of extensive practical experience. Deviations are possible in individual instances.

### Seat width:

#### a) For the user:

Allow space of sideguard to pass vertically between hip and sideguard on each side (approx. 1 - 2 cm altogether).

#### b) On the wheelchair:

From outside frame tube to outside frame tube

### Seat depth:

#### a) For the user:

When sitting upright: leave space for 2-3 fingers between front edge of seat upholstery and back of knee (approx. 3-6 cm). Care must be taken with adjustable upholstery.

#### b) On the wheelchair:

From back tube to front of seat upholstery.

### Back height:

#### a) For the user:

Measured from the seat, including cushion, to **no more** than one finger (1 - 2 cm) below the lower shoulderblade.  
**Important!** The back height depends on the degree of users ability.

#### b) On the wheelchair:

From seat tube to upper edge of backrest upholstery.  
**Note:** The user's ability to sit upright has a major influence on the back height and it can therefore differ considerably.

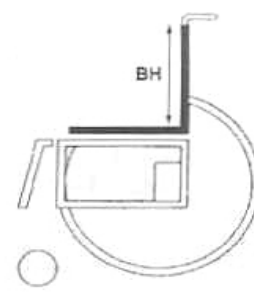
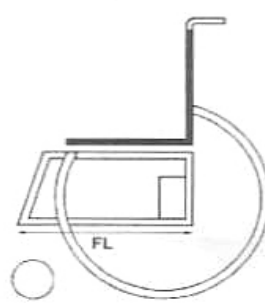
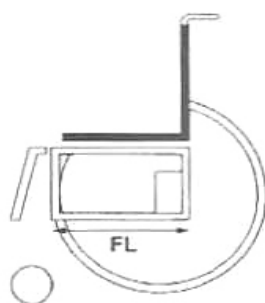
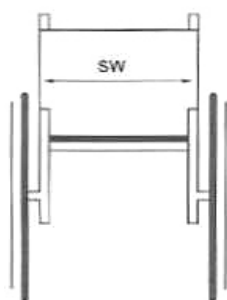
### Lower leg length:

#### a) For the user:

With legs angled at right angles, from back of knee to bottom of shoe sole.

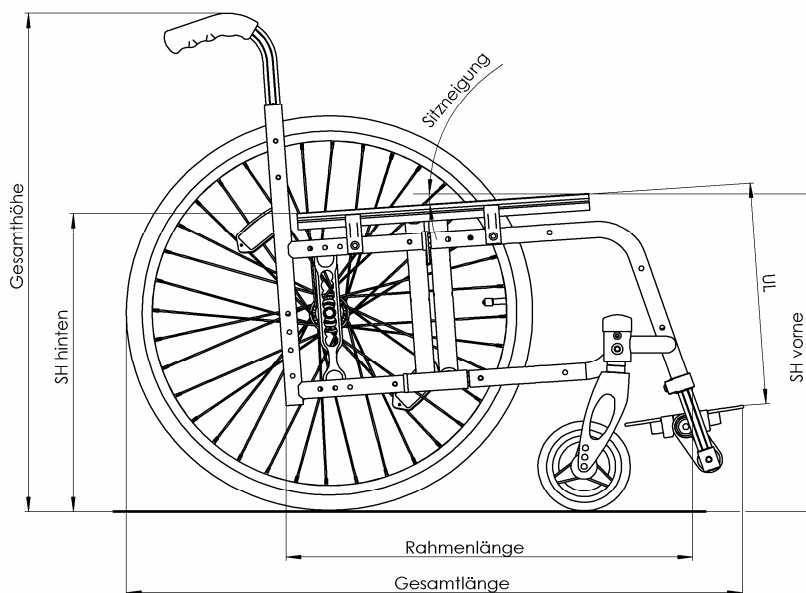
#### b) On the wheelchair:

From front of seat to top of footrest.  
**Remember:** to include the cushion height



## Straight, Fixed and Variable Abduction Frame:

- Aluminum frame with integrated footrest
- Seat Depth 24 cm - 30 cm (short frame) 22" rear wheel
- Seat Depth 30 cm - 40 cm (long frame) 22" or 24" rear wheel
- Abduction frame if wanted
- Seat angle 4°
- Backrest as requested.
- Each degree of extra rear wheel camber would increase total chair width by 1 cm
- Sideguard as requested
- Position of rear wheel
- 2 hole from back of the frame
- 3 position from the top of the frame
- Handrims in close position
- Camber from 0 to 4 degrees as requested
- Castors as requested
- Weight 7.7 kg without sideguard + footrest
- Total Width: with wheels + handrims position close (seat width + 20 cm)  
e.g. seat width 30 cm + 20 cm = 50 cm
- Folder Size: - with wheels approx 30 cm  
- without rearwheels approx 24 cm

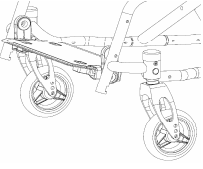


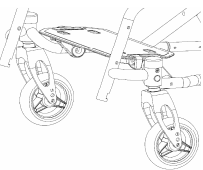
# Quickie® Youngster 3

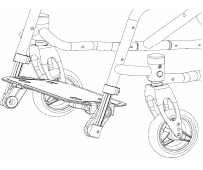
Please ask for details on how to order on line @  
**tcom.sunrisemedical.co.uk**

Purchase Order (Repeat on all pages):

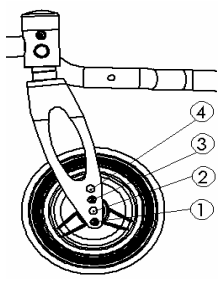
## Youngster 3 - Lower Leg Length (LLL) Matrix:

Footrest Position 1 (Mounted to hanger)	Fork Position	4" Castor				5" Castor				6" Castor				
		F/rest clamp (S)		F/rest clamp (L)		F/rest clamp (S)		F/rest clamp (L)		F/rest clamp (S)		F/rest clamp (L)		
		Min LLL	Max LLL	Min LLL	Max LLL	Min LLL	Max LLL	Min LLL	Max LLL	Min LLL	Max LLL	Min LLL	Max LLL	
	Castor Fork Short (118mm)	3	14	26	12	28	x	x	x	x	x	x	x	x
		2	14	26	12	28	14	26	12	28	x	x	x	x
	1	14	26	12	28	14	26	12	28	13	25	10	28	
Castor Fork Medium (138mm)	3	13	26	11	29	13	26	11	29	x	x	x	x	
	2	13	26	11	29	13	26	11	29	13	26	11	29	
	1	13	26	11	29	13	26	11	29	13	26	11	29	
Castor Fork Long (174mm)	4	x	x	x	x	13	25	11	29	13	25	11	29	
	3	13	25	11	29	13	25	11	29	13	25	11	29	
	2	13	25	11	29	13	25	11	29	13	25	11	29	
1	13	25	11	29	13	25	11	29	13	25	11	29		

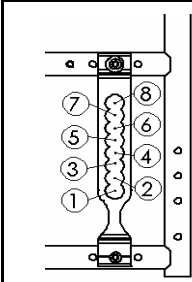
Footrest Position 2 (Mounted to base frame)	Fork Position	4" Castor				5" Castor				6" Castor			
		F/rest clamp (S)		F/rest clamp (L)		F/rest clamp (S)		F/rest clamp (L)		F/rest clamp (S)		F/rest clamp (L)	
		Min LLL	Max LLL	Min LLL	Max LLL	Min LLL	Max LLL	Min LLL	Max LLL	Min LLL	Max LLL	Min LLL	Max LLL
	Castor Fork Short (118mm)	3	18	26	15	26	x	x	x	x	x	x	x
		2	18	28	15	27	18	26	15	27	x	x	x
	1	18	28	15	28	18	28	15	27	18	26	14	26
Castor Fork Medium (138mm)	3	18	28	15	28	18	28	15	27	x	x	x	x
	2	18	28	15	29	18	28	15	28	18	26	15	26
	1	18	28	15	30	18	28	15	29	18	28	15	28
Castor Fork Long (174mm)	4	x	x	x	x	17	28	14	29	17	28	14	27
	3	17	28	14	31	17	28	14	29	17	28	14	29
	2	17	28	14	31	17	28	14	31	17	28	14	30
1	17	28	14	31	17	28	14	31	17	28	14	31	

Footrest Position 3 (Mounted via extension tube)	Fork Position	4" Castor				5" Castor				6" Castor			
		F/rest clamp (S)		F/rest clamp (L)		F/rest clamp (S)		F/rest clamp (L)		F/rest clamp (S)		F/rest clamp (L)	
		Min LLL	Max LLL	Min LLL	Max LLL	Min LLL	Max LLL	Min LLL	Max LLL	Min LLL	Max LLL	Min LLL	Max LLL
	Castor Fork Short (118mm)	3	29	32	26	29	x	x	x	x	x	x	x
		2	29	34	26	30	28	32	26	32	x	x	x
	1	29	35	26	32	28	34	26	32	29	36	26	32
Castor Fork Medium (138mm)	3	29	35	27	32	28	34	26	32	x	x	x	x
	2	29	37	27	35	28	36	26	33	29	37	26	34
	1	29	39	27	35	28	38	26	35	29	37	26	34
Castor Fork Long (174mm)	4	x	x	x	x	28	40	26	35	28	38	26	34
	3	28	40	26	35	28	42	26	36	28	39	26	35
	2	28	43	26	37	28	43	26	37	28	39	26	36
1	28	43	26	42	28	45	26	37	28	39	26	36	

## Youngster 3 - Seat Height Matrix:

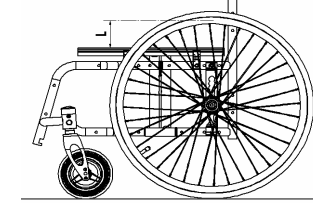
Front seat height (cm) with different caster sizes				
	Fork Position	Caster Size		
		4"	5"	6"
Castor Fork Short (118mm)	3	38	x	x
	2	39	41	x
	1	40.5	42	42.5
Castor Fork Med (138mm)	3	40	41	43
	2	41.5	42.5	44
	1	42.5	43.5	x
Castor Fork Long (174mm)	4	x	43	44.5
	3	43.5	44.5	45.5
	2	44.5	46.5	47
1	46.5	47.5	48	

**NOTE** TBA

Back seat height (cm) with rear wheels 22" & 24"			
	Axle Plate Position	Rear Wheel	
		22"	24"
8	35.5	x	
7	37	x	
6	38	41	
5	40	42.5	
4	41.5	43.5	
3	43	44.5	
2	44	x	
1	45.5	47	

**NOTE** Measurement with 1" tyres without cushion.  
X = Not possible

## Length (in mm) between seat rail and middle of the hand rim

	Axle Plate Position	Front Seat Height		Length L (See Diagrams)	
		Rear Wheel Size		Rear Wheel Size	
		22"	24"	22"	24"
8	35.5	x	14	x	
7	37	x	13	x	
6	38	41	11.5	14.5	
5	40	42.5	10	13	
4	41.5	43.5	9	12	
3	43	44.5	8	10.5	
2	44	45.5	6.5	9.5	
1	45.5	47	5	8	

**NOTE** Without cushion  
X = Not possible