

The *Jay Fit System* can help everyone *sit tall in the saddle*.



The *Jay Fit System*

Modular adjustable contour seating. For Katie and her team of rehab professionals, the Jay Fit System is an effective way to give her the customized seating and positioning options she needs. Versatile, easy-to-use hardware makes growing the system simple. Ischial bridge technology accommodates change without sacrificing pelvic positioning.



Plus, the adjustable contour back features many lateral support options and unique posterior support. With all that and more, the Jay Fit System can keep everyone, including cowgirls like Katie, sitting tall in the saddle.

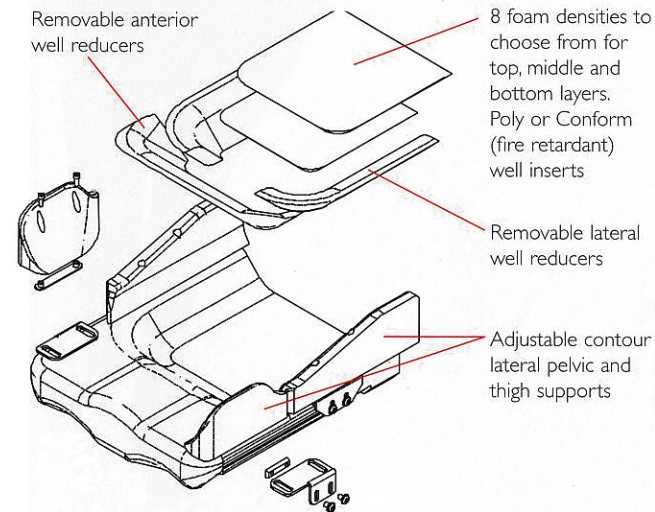


Jay Fit System

The Jay Fit System was developed to accommodate a child's growth as well as their changing functional seating needs. It meets the clinical needs of a broad range of clients by incorporating positioning concepts from both the Jay and Cozy product lines in an innovative way. The Jay Fit System is the premier seating system available today, offering children an effective clinical intervention early in life for improved function later in life. The system is available for frame widths from 10" to 16" and seat depths from 8" to 20" with room to grow.



Jay Fit Adjustable Contour Seat



The Jay Fit System adjustable contour seat fills the gap where other molded and custom contour seating systems fall short. Its numerous foam density options and removable anterior and lateral well reducers allow you to fit and grow the system correctly. In addition, by providing more contact surface, the Jay Fit adjustable contour seat reduces tone and improves stability, benefits linear planar seating systems are not able to offer. And, the Jay Fit's single-action cable release mechanism makes seat removal and reattachment a snap, while still providing solid, stable attachment.

Jay Fit Adjustable Contour Back

The Jay Fit contour back also promotes a child's independence and comfort through upper body stability and proper positioning. The system's lateral/posterior pelvic supports allow you to control the contours of the back to position the top and back of the pelvis like a therapist's hands. The system's shoulder harness guides offer precise positioning of any over-the-shoulder strap support, and the universal headrest mounting plate allows for easy attachment of all popular headrests. The back's attaching hardware options provide a wide range of adjustment in both depth and angle for just the right fit.

