

Deliver to:
 Name:
 Street:
 Town: Postal code:
 E-Mail:
 Tel: Fax:

Order date:
 Purchase order:

Deliver to:
 Name:
 Street:
 Town: Postal code:
 E-Mail:
 Tel: Fax:

Marked for:

Base Price
£2,755

Fax number: +44 (0)845 605 66 89
 Email: orders@sunmed.co.uk
 Max User Weight 85Kg
Crash tested and Passed



Part No. 843900001-000 PQR01

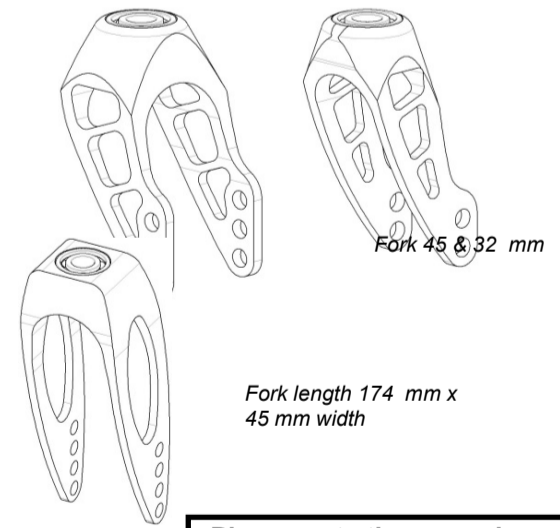
CLIENT MEASUREMENT

		Seat width in cm									
		22	24	26	28	30	32	34	36	38	40
Seat depth in cm	24	<input type="radio"/>	<input type="radio"/>	<input type="radio"/>	<input type="radio"/>	<input type="radio"/>	<input type="radio"/>	<input type="radio"/>	<input type="radio"/>	<input type="radio"/>	<input type="radio"/>
	26	<input type="radio"/>	<input type="radio"/>	<input type="radio"/>	<input type="radio"/>	<input type="radio"/>	<input type="radio"/>	<input type="radio"/>	<input type="radio"/>	<input type="radio"/>	<input type="radio"/>
	28	<input type="radio"/>	<input type="radio"/>	<input type="radio"/>	<input type="radio"/>	<input type="radio"/>	<input type="radio"/>	<input type="radio"/>	<input type="radio"/>	<input type="radio"/>	<input type="radio"/>
	30	<input type="radio"/>	<input type="radio"/>	<input type="radio"/>	<input type="radio"/>	<input type="radio"/>	<input type="radio"/>	<input type="radio"/>	<input type="radio"/>	<input type="radio"/>	<input type="radio"/>
	30	<input type="radio"/>	<input type="radio"/>	<input type="radio"/>	<input type="radio"/>	<input type="radio"/>	<input type="radio"/>	<input type="radio"/>	<input type="radio"/>	<input type="radio"/>	<input type="radio"/>
	32	<input type="radio"/>	<input type="radio"/>	<input type="radio"/>	<input type="radio"/>	<input type="radio"/>	<input type="radio"/>	<input type="radio"/>	<input type="radio"/>	<input type="radio"/>	<input type="radio"/>
	34	<input type="radio"/>	<input type="radio"/>	<input type="radio"/>	<input type="radio"/>	<input type="radio"/>	<input type="radio"/>	<input type="radio"/>	<input type="radio"/>	<input type="radio"/>	<input type="radio"/>
	36	<input type="radio"/>	<input type="radio"/>	<input type="radio"/>	<input type="radio"/>	<input type="radio"/>	<input type="radio"/>	<input type="radio"/>	<input type="radio"/>	<input type="radio"/>	<input type="radio"/>
	38	<input type="radio"/>	<input type="radio"/>	<input type="radio"/>	<input type="radio"/>	<input type="radio"/>	<input type="radio"/>	<input type="radio"/>	<input type="radio"/>	<input type="radio"/>	<input type="radio"/>
	40	<input type="radio"/>	<input type="radio"/>	<input type="radio"/>	<input type="radio"/>	<input type="radio"/>	<input type="radio"/>	<input type="radio"/>	<input type="radio"/>	<input type="radio"/>	<input type="radio"/>

+ 2 cm Short frame
 Long frame
 + 4 cm Depth growth only available on long frame
 Straight frame starting at 26cm

Your rear seat height can only be between 0 cm and 12 cm below your front seat height:
 i.e. rear seat height CANNOT be above front seat height
 i.e. rear seat height CANNOT be more than 12 cm below front seat height
 - More info, see first back page
 4" & 5" solid, 4" & 5" soft roll and 5" & 6" soft solid are only available with a 45 mm fork

		Front seat height in cm													
		Fork (length x width)	37	38	39	40	41	42	43	44	45	46	47	48	50
Front Castor	4"	111 mm x 45 mm	<input type="radio"/>	<input type="radio"/>	<input type="radio"/>	<input type="radio"/>	<input type="radio"/>	<input type="radio"/>	<input type="radio"/>	<input type="radio"/>	<input type="radio"/>	<input type="radio"/>	<input type="radio"/>	<input type="radio"/>	<input type="radio"/>
		123 mm x 45 mm (3) (5)	<input type="radio"/>	<input type="radio"/>	<input type="radio"/>	<input type="radio"/>	<input type="radio"/>	<input type="radio"/>	<input type="radio"/>	<input type="radio"/>	<input type="radio"/>	<input type="radio"/>	<input type="radio"/>	<input type="radio"/>	<input type="radio"/>
		111 mm x 32 mm	<input type="radio"/>	<input type="radio"/>	<input type="radio"/>	<input type="radio"/>	<input type="radio"/>	<input type="radio"/>	<input type="radio"/>	<input type="radio"/>	<input type="radio"/>	<input type="radio"/>	<input type="radio"/>	<input type="radio"/>	<input type="radio"/>
		138 mm x 45 mm (1)	<input type="radio"/>	<input type="radio"/>	<input type="radio"/>	<input type="radio"/>	<input type="radio"/>	<input type="radio"/>	<input type="radio"/>	<input type="radio"/>	<input type="radio"/>	<input type="radio"/>	<input type="radio"/>	<input type="radio"/>	<input type="radio"/>
		174 mm x 45 mm (1) (2)	<input type="radio"/>	<input type="radio"/>	<input type="radio"/>	<input type="radio"/>	<input type="radio"/>	<input type="radio"/>	<input type="radio"/>	<input type="radio"/>	<input type="radio"/>	<input type="radio"/>	<input type="radio"/>	<input type="radio"/>	<input type="radio"/>
5"	111 mm x 45 mm	<input type="radio"/>	<input type="radio"/>	<input type="radio"/>	<input type="radio"/>	<input type="radio"/>	<input type="radio"/>	<input type="radio"/>	<input type="radio"/>	<input type="radio"/>	<input type="radio"/>	<input type="radio"/>	<input type="radio"/>	<input type="radio"/>	
	123 mm x 45 mm (3) (5)	<input type="radio"/>	<input type="radio"/>	<input type="radio"/>	<input type="radio"/>	<input type="radio"/>	<input type="radio"/>	<input type="radio"/>	<input type="radio"/>	<input type="radio"/>	<input type="radio"/>	<input type="radio"/>	<input type="radio"/>	<input type="radio"/>	
	111 mm x 32 mm	<input type="radio"/>	<input type="radio"/>	<input type="radio"/>	<input type="radio"/>	<input type="radio"/>	<input type="radio"/>	<input type="radio"/>	<input type="radio"/>	<input type="radio"/>	<input type="radio"/>	<input type="radio"/>	<input type="radio"/>	<input type="radio"/>	
	138 mm x 45 mm (1)	<input type="radio"/>	<input type="radio"/>	<input type="radio"/>	<input type="radio"/>	<input type="radio"/>	<input type="radio"/>	<input type="radio"/>	<input type="radio"/>	<input type="radio"/>	<input type="radio"/>	<input type="radio"/>	<input type="radio"/>	<input type="radio"/>	
	174 mm x 45 mm (1) (2)	<input type="radio"/>	<input type="radio"/>	<input type="radio"/>	<input type="radio"/>	<input type="radio"/>	<input type="radio"/>	<input type="radio"/>	<input type="radio"/>	<input type="radio"/>	<input type="radio"/>	<input type="radio"/>	<input type="radio"/>	<input type="radio"/>	
6"	111 mm x 45 mm	<input type="radio"/>	<input type="radio"/>	<input type="radio"/>	<input type="radio"/>	<input type="radio"/>	<input type="radio"/>	<input type="radio"/>	<input type="radio"/>	<input type="radio"/>	<input type="radio"/>	<input type="radio"/>	<input type="radio"/>	<input type="radio"/>	
	123 mm x 45 mm (3) (5)	<input type="radio"/>	<input type="radio"/>	<input type="radio"/>	<input type="radio"/>	<input type="radio"/>	<input type="radio"/>	<input type="radio"/>	<input type="radio"/>	<input type="radio"/>	<input type="radio"/>	<input type="radio"/>	<input type="radio"/>	<input type="radio"/>	
	138 mm x 45 mm (1)	<input type="radio"/>	<input type="radio"/>	<input type="radio"/>	<input type="radio"/>	<input type="radio"/>	<input type="radio"/>	<input type="radio"/>	<input type="radio"/>	<input type="radio"/>	<input type="radio"/>	<input type="radio"/>	<input type="radio"/>	<input type="radio"/>	
	174 mm x 45 mm (1) (2)	<input type="radio"/>	<input type="radio"/>	<input type="radio"/>	<input type="radio"/>	<input type="radio"/>	<input type="radio"/>	<input type="radio"/>	<input type="radio"/>	<input type="radio"/>	<input type="radio"/>	<input type="radio"/>	<input type="radio"/>	<input type="radio"/>	



		Rear seat height in cm																
		Wheels	32	33	34	35	36	37	38	39	40	41	42	43	44	45	46	47
Rear wheel	20" (4)	<input type="radio"/>	<input type="radio"/>	<input type="radio"/>	<input type="radio"/>	<input type="radio"/>	<input type="radio"/>	<input type="radio"/>	<input type="radio"/>	<input type="radio"/>	<input type="radio"/>	<input type="radio"/>	<input type="radio"/>	<input type="radio"/>	<input type="radio"/>	<input type="radio"/>	<input type="radio"/>	<input type="radio"/>
	22"	<input type="radio"/>	<input type="radio"/>	<input type="radio"/>	<input type="radio"/>	<input type="radio"/>	<input type="radio"/>	<input type="radio"/>	<input type="radio"/>	<input type="radio"/>	<input type="radio"/>	<input type="radio"/>	<input type="radio"/>	<input type="radio"/>	<input type="radio"/>	<input type="radio"/>	<input type="radio"/>	<input type="radio"/>
	24"	<input type="radio"/>	<input type="radio"/>	<input type="radio"/>	<input type="radio"/>	<input type="radio"/>	<input type="radio"/>	<input type="radio"/>	<input type="radio"/>	<input type="radio"/>	<input type="radio"/>	<input type="radio"/>	<input type="radio"/>	<input type="radio"/>	<input type="radio"/>	<input type="radio"/>	<input type="radio"/>	<input type="radio"/>

- Please note the procedure of the measurement is from the back
 - All measurements are in cm and without a cushion

(1) Aluminium rim only (2) only grey available (3) fork compatible with additional drive (4) only Proton wheels/Right Run/Steel Handrim
 (5) Not available with Carbotexture Fork

										£	
SEAT UPHOLSTERY											
Seat sling											
YNG020101	<input type="radio"/>	1 Utility bag								(Std default option)	
YNG020102	<input type="checkbox"/>	With two utility bags								(only from SW 34 cm)	£73
YNG020103	<input type="checkbox"/>	One utility bag and one catheter bag								(only from SW 34 cm)	£115
YNG020104	<input type="radio"/>	Without seat sling									
For JAY Seating, see JAY order form											
Seat cushion with cover, black											
a) Foam composite		Thickness:	YNG020201	<input type="checkbox"/>	3cm	YNG020203	<input type="checkbox"/>	5cm	(medium)	£89	
b) Latex		Thickness:	YNG020202	<input type="checkbox"/>	5cm				(very soft)	£89	
Seat accessories											
YNG020301	<input type="checkbox"/>	Positioning belt with lock									£58
YNG020303	<input type="checkbox"/>	JAY Fit belt 90° attachment				(attached to the seat rail)	(starts with SW 26; use with cushion only)				£84
YNG020304	<input type="checkbox"/>	JAY Fit belt 45° attachment				(attached to the seat rail)	(starts with SW 26; use with cushion only)				
BACKREST											
Backrest (range)		22.5 - 27.5	27.5 - 32.5	32.5 - 37.5	37.5 - 42.5						
Back height set at (cm)		<input type="radio"/> 22.5	<input type="radio"/> 27.5	<input type="radio"/> 32.5	<input type="radio"/> 37.5						
		<input type="radio"/> 25	<input type="radio"/> 30	<input type="radio"/> 35	<input type="radio"/> 40						
		<input type="radio"/> 27.5	<input type="radio"/> 32.5	<input type="radio"/> 37.5	<input type="radio"/> 42.5						
Backrest frame											
YNG030101	<input type="radio"/>	Standard: Non angle adjustable (90°), non folding backrest									
YNG030102	<input type="checkbox"/>	Angle adjustable								(Only in combination with side guard YNG040202)	£255
		<input type="checkbox"/> 87°	<input type="checkbox"/> 90°	<input type="checkbox"/> 95°	<input type="checkbox"/> 100°	<input type="checkbox"/> 105°					
		<input type="checkbox"/> Built-4-Me Option: Reclining back								(For seat depth 30 cm and above)	£740
		Infinite back recline from -3° to +20°; price includes side guard, no fender available (2)								(additional 10 day lead time)	
Push handles											
YNG030201	<input type="radio"/>	Without push handles								(not in combination with half folding back)	
YNG030203	<input type="radio"/>	Long									
YNG030204	<input type="checkbox"/>	123 mm x 45 mm (3) (5)								(only up from BH 32,5 cm)	£182
YNG030205	<input type="checkbox"/>	Height-adjustable push handles								(only up from BH 30 cm)	£255
YNG030206	<input type="checkbox"/>	Height-adjustable push handles side angled								(not in combination with drum brakes)	£302
YNG030207	<input type="checkbox"/>	JAY Hardware with height adj. push handles								(only up from BH 30 cm)	£250
123 mm x 45 mm (3) (5)											
YNG030316	<input type="radio"/>	EXO Backrest sling, synthetic fibre, padded, adjustable, 1 accessory bag, black (Evo Exo Version)									
		Colour, binding tape:	<input type="radio"/> Black	<input type="radio"/> Orange	<input type="radio"/> Silver	<input type="radio"/> Red	<input type="radio"/> Blue				
YNG030317	<input type="checkbox"/>	EXO PRO Backrest, synthetic fibre, padded, adj., breathable spacer fabric, 1 accessory bag, black (Evo Exo Version)								£203	
		Colour, binding tape:	<input type="radio"/> Black	<input type="radio"/> Orange	<input type="radio"/> Silver	<input type="radio"/> Red	<input type="radio"/> Blue				
YNG030305	<input type="radio"/>	123 mm x 45 mm (3) (5)									
Headrest											
YNG030401	<input type="checkbox"/>	Medium	YNG030402	<input type="checkbox"/>	Large					£271	
YNG030403	<input type="checkbox"/>	Stabiliser bar									£203

(1): starting with SW 32; reduces the seat depth by approx 1cm because of the padding

(2): not in combination with Safari wheel lock; Seat depth enlargement (5 cm); Standard backrest upholstery

(5) Not available with Carbotexture Fork

		£
ARMREST AND SIDE GUARDS		
Armrest		
YNG040101	<input type="checkbox"/> Armrest height adjustable, short, screw-on	(only with YNG040201, YNG040202 and YNG040211) £125
Side guards		
YNG040201	<input type="checkbox"/> Straight side guard aluminium with cloth protection	£198
YNG040202	<input type="checkbox"/> Aluminium side guard for angle adjustable back at fixed angles with cloth protection	£229
YNG040203	<input type="checkbox"/> Lightweight carbonfibre look side guard with integrated clothing guard (1)	£323
YNG040211	<input type="checkbox"/> Straight side guard aluminium with fender (Pair) - Tool height adj armrest possible	£323
YNG040212	<input type="checkbox"/> Straight side guard aluminium with fender (Pair) for Safari wheel lock	£323
YNG040205	<input type="checkbox"/> Plastic side guards detachable (Quickie style)	(Quickie style) £240
Side guards options and accessories		
YNG040210	<input type="radio"/> Mud Guard	(only with YNG040201 and YNG040202)
YNG040204	<input type="checkbox"/> Fender, composite, screw-on, back	(only with YNG040201 and YNG040202) £99
YNG040206	<input type="checkbox"/> Height adjustable tray table, slide-on for SW 22-36cm (not 38 & 40cm)	£203
Therapy table flip-down for SW 26-40cm		£281
Attachment: YNG040207 <input type="checkbox"/> right-hand YNG040208 <input type="checkbox"/> left-hand		
LEGREST & FOOTPLATES		
Platform footrest, angle adjustable (only in position 3 - page 6/9)		(LLL 30 - 45cm)
YNG050102	<input type="radio"/> Composite board	(Abduction frame SW 26 - 40; Std 30 - 40) (depth adjustable)
YNG050103	<input type="checkbox"/> Carbon board	(depth adjustable) £437
YNG050115	<input type="checkbox"/> Foot positioning plate	£99
YNG050106	<input type="radio"/> Platform footrest "Youngster 3"	(SW 38 & 40 with abduction is supplied w aluminium board)
YNG050107	<input type="checkbox"/> Locking system for platform footrest	£78
YNG050108	<input type="checkbox"/> Swing Away mechanism	(not with Platform footrest, angle adjustable) £198
YNG050111	<input type="radio"/> Divided platform "Youngster 3" - composite	(not in SW 22cm)
Locking system for divided footrest		
YNG050112	<input type="checkbox"/> Right attachment	£78
YNG050113	<input type="checkbox"/> Left attachment	£78
YNG050114	<input type="checkbox"/> Lock for divided footrest (Right and left)	£151
YNG050101	<input type="radio"/> Divided platform footrest Alu "Youngster3"	(starts w abdu frame SW 26, Std SW 30cm)
Clamp for platform footrest "Youngster3"		(not with Platform footrest, angle adjustable)
YNG050116	<input type="radio"/> Short (90mm)	YNG050117 <input checked="" type="radio"/> Long (121mm) (Std if nothing else selected)
Lower leg length (LLL) (Attention: LLL has to be 2,5 cm lower than seat height front)		
<input type="radio"/> 17	<input type="radio"/> 18	<input type="radio"/> 19
<input type="radio"/> 20	<input type="radio"/> 21	<input type="radio"/> 22
<input type="radio"/> 23	<input type="radio"/> 24	<input type="radio"/> 25
<input type="radio"/> 26	<input type="radio"/> 27	<input type="radio"/> 28
<input type="radio"/> 29	<input type="radio"/> 30	<input type="radio"/> 31
<input type="radio"/> 32	<input type="radio"/> 33	<input type="radio"/> 34
<input type="radio"/> 35	<input type="radio"/> 36	<input type="radio"/> 37
<input type="radio"/> 38	<input type="radio"/> 39	<input type="radio"/> 40
<input type="radio"/> 41	<input type="radio"/> 42	<input type="radio"/> 43
<input type="radio"/> 44	All measurements are in cm	
FRAME (with smart and nice folding fixation and frame protection for the rear frame end and the axle plate)		
YNG010101	<input type="radio"/> 1 Standard folding frame (straight)	(from SW 26 - 40 cm)
YNG010102	<input type="radio"/> Abduction folding frame	(from SW 22 - 40 cm)
Seat depth enlargement (5cm) (all measurements are in cm)		
YNG010201	<input type="checkbox"/> Seat depth enlargement (50 mm) (2) (3) (4)	£380
1 Increases seat depth by 50 mm allowing better COG adjustment when used in combination with seat shells		(only in combination with adjustable upholstery)

(1): not with combination cloth protection, armrest & plastic sideguard

(2): not with Safari wheel-lock

(3): only with YNG040201 & YNG040202

(4): not with mud guard

		£
Frame accessories		<i>(choose either tip assist or anti-tip tubes, not both)</i>
Tip assist (step tube)		
YNG010301	<input type="checkbox"/> Left	YNG010302 <input type="checkbox"/> Right
YNG010305	<input type="checkbox"/> Pair	
YNG010303	<input type="checkbox"/> Crutch holder with Velcro	<i>(only in combination with tip assist)</i>
Anti-tip tubes, swing-away		
YNG010306	<input type="checkbox"/> Left	YNG010307 <input type="checkbox"/> Right <input type="checkbox"/> Right
YNG010308	<input type="checkbox"/> Pair	
FORK		
<i>(compare with your choice on the first page)</i>		
YNG080101	<input checked="" type="radio"/> Fork Carbotecture® (4)	
YNG090093	<input type="checkbox"/> Fork for power add ons, 123x45 mm	<i>(only in black)</i>
CASTORS		
<i>(compare with your choice on the first page)</i>		
Standard		
YNG080201	<input type="radio"/> Solid	<i>(for 45 mm fork version only) (only for 4" & 5")</i>
YNG080202	<input type="radio"/> Soft solid	<i>(for 45 mm fork version only, not available with 111x45) (only for 5" & 6")</i>
Castor with aluminium rim		
YNG080204	<input type="checkbox"/> Solid Aluminium	<i>(only for 4" and 5")</i>
YNG080205	<input type="checkbox"/> Soft roll	<i>(for 45 mm fork version only) (only for 4" and 5")</i>
REAR WHEELS		
YNG070101	<input type="radio"/> Straight spoked	<i>(only 22")</i>
YNG070102	<input type="radio"/> Cross spoked	<i>(pair) (only 22" & 24")</i>
YNG070103	<input type="radio"/> Design wheel	<i>(pair) (only 24")</i>
YNG070104	<input type="radio"/> Lightweight wheel (2)	<i>(pair) (only 22" & 24")</i>
YNG070105	<input type="checkbox"/> Proton wheel (super light weight) (2)	<i>(pair)</i>
YNG070111	<input type="checkbox"/> Drum brake wheels for attendant person	<i>(pair) (only 22" & 24")</i>
YNG070106	<input type="checkbox"/> Mountain Bike wheel	<i>(only with 24", mountain bike tyres & aluminium rim, black coated)</i>
YNG070107	<input type="checkbox"/> Additional mountain bike wheel pair	<i>(only with 24" & mountain bike tyres)</i>
One-arm drive with quick-release axle, one-arm brake not included (3)		
YNG070108	<input type="checkbox"/> Left	YNG070109 <input type="checkbox"/> Right
		£1,498
TYRES		
<i>(choose only one tyre type)</i>		
YNG070201	<input type="radio"/> Right Run	
YNG070202	<input type="radio"/> Solid tyres (1)	<i>(only 22" & 24", not available with Safari wheel locks)</i>
YNG070203	<input type="radio"/> Schwalbe One (Slight puncture resistance)	<i>(only 24")</i>
YNG070205	<input type="checkbox"/> Marathon plus evolution (puncture proof)	<i>(only 24")</i>
HANDRIM		
<i>Not available for Mountain Bike or Spinergy wheels</i>		
YNG070301	<input type="radio"/> Aluminium silver anodized	(2)
YNG070302	<input type="radio"/> Aluminium silver powdercoated	(2)
YNG070303	<input type="checkbox"/> Coloured aluminium pushrim. colour code:	<i>(see page 5)</i>
YNG070304	<input type="radio"/> Stainless steel	<i>(only 22" & 24")</i>
YNG070305	<input type="checkbox"/> Titanium	<i>(only 22" & 24")</i>
YNG070306	<input type="checkbox"/> Titanium clear powdercoated	<i>(only 22" & 24")</i>
YNG070307	<input type="checkbox"/> Supergrip	<i>(only 22" & 24" and not available with lightweight wheels)</i>
YNG070308	<input type="checkbox"/> Maxgrepp	<i>(only 22" & 24")</i>
Hand rim mounting	YNG070401 Standard = 17mm	YNG070402 <input type="radio"/> Wide = 27mm
	YNG070403 <input type="radio"/> Close = 7mm	<i>(only with 24" stainless steel)</i>
YNG070309	<input type="checkbox"/> Handrim cover	<i>(only 22" & 24")</i>
WHEEL CAMBER		
<i>(choose only one option)</i>		
YNG070501	<input type="radio"/> 0°	YNG070504 <input type="radio"/> 3°
YNG070502	<input type="radio"/> 1°	YNG070505 <input type="radio"/> 4°
Not available with Carbotecture Fork		
Quick release axle		
YNG070506	<input type="radio"/> Std	
YNG070507	<input type="checkbox"/> Quad	£146

- (1): not with Lightweight and Proton (2): not with handrim mounting wide for Lightweight and Proton wheels
(3): no colour coat, no camber adjustment, no drum brakes. Only with cross-spoked rear wheel available min. SW = 28
(4): Not available with 123 x 45 Fork Size

						£					
SPOKE GUARDS						(only available in 22 & 24")					
YNG070601	<input type="checkbox"/>	Transparent	YNG070614	<input type="checkbox"/>	Galactica	YNG070632	<input type="checkbox"/>	Space	£167		
YNG070604	<input type="checkbox"/>	Princess	YNG070617	<input type="checkbox"/>	Pirates						
YNG070605	<input type="checkbox"/>	Happy Lions	YNG070619	<input type="checkbox"/>	Graffiti	(see Spoke Guard brochure)					
YNG070606	<input type="checkbox"/>	Monkeys	YNG070620	<input type="checkbox"/>	Basketball						
YNG070607	<input type="checkbox"/>	Oriental	YNG070621	<input type="checkbox"/>	Flying water						
YNG070608	<input type="checkbox"/>	Superhero	YNG070623	<input type="checkbox"/>	Zebra						
YNG070609	<input type="checkbox"/>	Hot Wheels	YNG070626	<input type="checkbox"/>	Jungle Fever						
YNG070610	<input type="checkbox"/>	Pool	YNG070628	<input type="checkbox"/>	Feather						
YNG070611	<input type="checkbox"/>	Silk	YNG070630	<input type="checkbox"/>	Chrome wheel						
YNG070612	<input type="checkbox"/>	Tiger	YNG070631	<input type="checkbox"/>	Basketball 2						
WHEEL LOCKS						(choose only one option)					
YNG060101	<input type="radio"/>	Standard wheel lock									
		Knee lever wheel lock									
YNG060104	<input type="checkbox"/>	angled to the inside	YNG060102	<input type="checkbox"/>	angled to the outside	£78					
YNG060105	<input type="radio"/>	Safari wheel lock (Wheel lock integrated into side guard)									
YNG060106	<input type="checkbox"/>	Attendant wheel lock with Safari wheel lock				(incl. YNG060105) £193					
YNG060107	<input type="radio"/>	Drum brake (for care person, quick-release axle, not available with attendant wheel lock)				(only 22" & 24")					
Wheel lock accessories											
YNG060201	<input type="checkbox"/>	Extension for knee lever wheel lock, slip-on, swing-away				(only on knee lever wheel lock) £58					
ACCESSORIES											
	<input type="checkbox"/>	Tool kit									
YNG090101	<input type="checkbox"/>	High pressure pump				£99					
YNG090102	<input type="checkbox"/>	Air pump				£21					
YNG090103	<input type="checkbox"/>	Back pack				£84					
YNG090105	<input type="checkbox"/>	Impact guard				£89					
YNG090107	<input type="checkbox"/>	Mobile phone bag				£63					
COLOUR											
		Handrim	Hub/rim		Handrim	Hub/rim					
		£84	£240		£84	£240					
01 Matte Black	<input type="radio"/>	<input type="checkbox"/>	<input type="checkbox"/>	12 Royal Blue	<input type="radio"/>	<input type="checkbox"/>					
02 Gloss Black	<input type="radio"/>	<input type="checkbox"/>	<input type="checkbox"/>	13 Brilliant Ocean	<input type="radio"/>						
03 Metallic Shadow	<input type="radio"/>	<input type="checkbox"/>		14 Scarlet Noir	<input type="radio"/>						
04 Starlight White	<input type="radio"/>	<input type="checkbox"/>		15 Red Pepper	<input type="radio"/>	<input type="checkbox"/>					
05 Silver Ore	<input type="radio"/>	<input type="checkbox"/>		16 Cherry Lustre	<input type="radio"/>	<input type="checkbox"/>					
06 Storm Gray	<input type="radio"/>	<input type="checkbox"/>		17 Turbo Green	<input type="radio"/>						
07 Desert Tan	<input type="radio"/>	<input type="checkbox"/>		18 Pink Power	<input type="radio"/>						
08 Desert Sage	<input type="radio"/>	<input type="checkbox"/>		19 Satin Rose	<input type="radio"/>						
09 Salute Green	<input type="radio"/>	<input type="checkbox"/>		20 Mystic Purple	<input type="radio"/>						
10 Velvet Sapphire	<input type="radio"/>	<input type="checkbox"/>		21 Solar Orange	<input type="radio"/>						
11 Midnight Blue	<input type="radio"/>	<input type="checkbox"/>		22 Velocity Yellow	<input type="radio"/>						
Frame Stickers			Anodised colour package for fork and axle plate								
YNG100550	<input type="radio"/>	Black	YNG100551	<input type="radio"/>	Silver	YNG090507	<input type="radio"/>	Silver Matt	YNG090509	<input type="radio"/>	Black
Zippie Youngster 3 - Base Price								£2,755			
Option price								£			
Total Price								£			

Please follow measuring method:

The following method is recommended on the basis of extensive practical experience.
Deviations are possible in individual instances

Seat width:

a) For the user:

Allow space of side guard to pass vertically between hip and side guard on each side (approx. 1 - 2 cm altogether).

b) On the wheelchair:

From outside frame tube to outside frame tube

Seat depth:

a) For the user:

When sitting upright: leave space for 2-3 fingers between front edge of seat upholstery and back of knee (approx. 3-6 cm). Care must be taken with adjustable upholstery.

b) On the wheelchair:

From back tube to front of seat upholstery.

Back height:

a) For the user:

Measured from the seat, including cushion, to **no more** than one finger (1 - 2 cm) below the lower shoulder blade.

Important! The back height depends on the degree of disability.

b) On the wheelchair:

From seat tube to upper edge of backrest upholstery.

Note: The user's ability to sit upright has a major influence on the back height and it can therefore differ considerably.

Lower leg length:

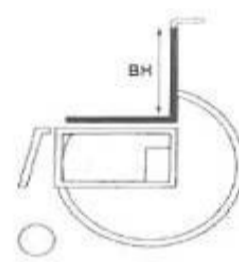
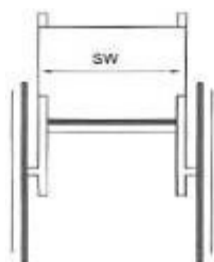
a) For the user:

With legs angled at right angles, from back of knee to bottom of shoe sole.

b) On the wheelchair:

From front of seat to top of footrest.

Remember: to include the cushion height



Overall width:

Overall width: 70 cm
Max overall height 97 cm
Max overall length 107 cm

Overall width with 24"

For 0° camber: SW+20
For camber: each degree is adding approx 1 cm
With drum brake +2 cm

Weights:

Minimum weight:
approx 8.5 kg

Folded size:

with rear wheels approx. 30 cm
without rear wheels approx. 24 cm
123 mm x 45 mm (3) (5)

NOTES:

Max seat height difference rear to front is 12 cm.
No negative seat angle is possible
Manufacturing tolerances of +/- 1 cm

123 mm x 45 mm (3) (5)

- Aluminium frame with integrated footrest
- Seat Depth 24 cm - 30 cm (short frame) 22" rear wheel
- Seat Depth 30 cm - 40 cm (long frame) 22" or 24" rear wheel
- Abduction frame if wanted
- Seat angle 4°
- Backrest as requested.
- Each degree of extra rear wheel camber would increase total chair width by 1 cm

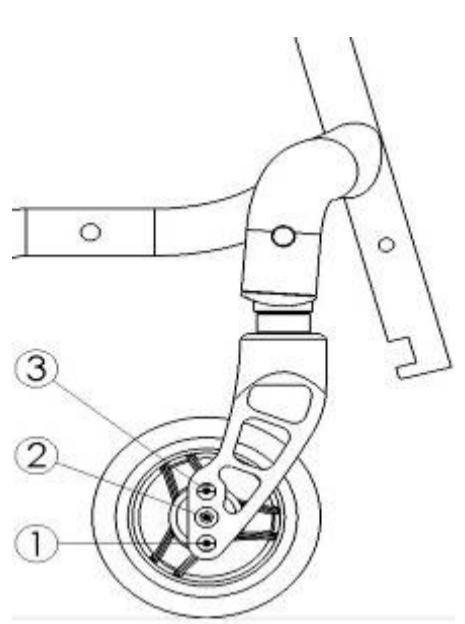
- Side guard as requested
- Position of rear wheel
- 2 hole from back of the frame
- 3 position from the top of the frame
- Handrim in close position
- Camber from 0 to 4 degrees as requested
- Castors as requested
- Weight 7.7 kg without side guard + footrest

123 mm x 45 mm (3) (5)

(5) Not available with Carbotexture Fork

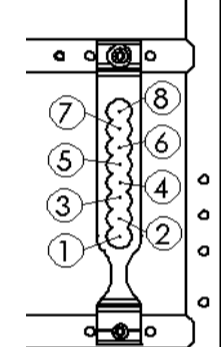
YOUNGSTER 3 Seat heights and lower leg length

Seat height matrix - front seat height (in cm)

	Fork Position	Castor size			
		4"	5"	6"	
	Fork (32/98 mm)	2 1	38 40	X 41	X X
	Fork (32/111 mm)	2 1	40 41	41 42	X X
	Fork (45/111 mm)	3 2 1	39 40 41	X 41 42	X X 43
	Fork (45/123)	3 2 1	40 41 42	41 42 44	X 43 45
	Fork (45/138 mm)	3 2 1	42 43 44	43 44 45	43 45 46
	Fork (45/174 mm)	4 3 2 1	X 44 46 47	45 46 47 48	46 47 48 50

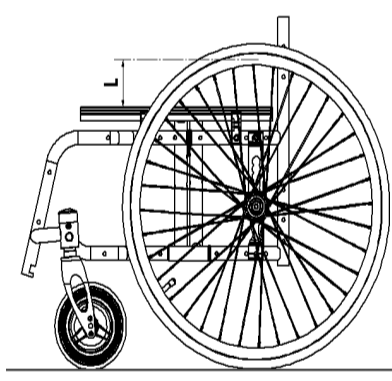
Details:
 * SH-details with 10 mm spacer between fork and frame - spacer could be mounted underneath the fork => reduced SH - 10 mm
 * without cushion
 * without seat angle (0°)
 * X = No Go
 * 1 Not available with 5" soft rolls

Seat height back (in cm) with rear wheels 20, 22 and 24"

	Axle plate position	rear wheel size		
		20"	22"	24"
	8	32	35.5	X
	7	33	37	X
	6	35	38	41
	5	X	40	42.5
	4	X	41.5	43.5
	3	X	43	44.5
	2	X	44	45.5
	1	X	45.5	47

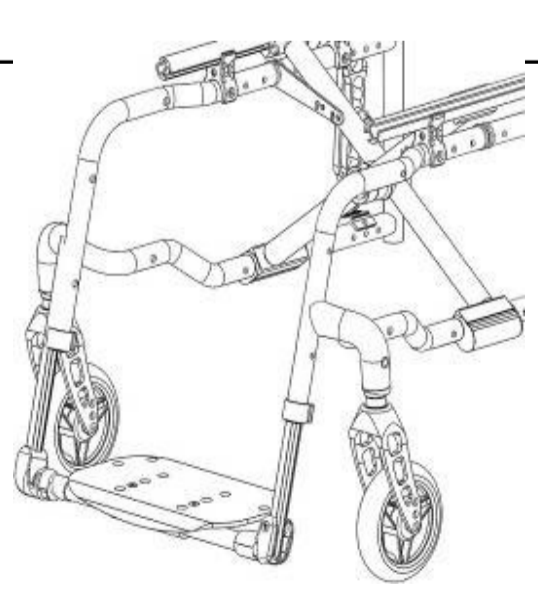
Details
 *measurements made with 1"-tyres
 * without seat angle (0°)
 * without cushion 123 mm x 45 mm (3) (5)
 * X = No Go
 * without camber (0°)

Distance between seat and handrim (outside tube)

	Axle plate position	rear wheel size		
		20"	22"	24"
	8	12.5	14	X
	7	11	13	X
	6	10	11.5	14.5
	5	X	10	13
	4	X	9	12
	3	X	8	10.5
	2	X	6.5	9.5
	1	X	5	8

Details
 * without cushion
 * without camber (0°)
 * X = No Go

Y3-LLL matrix; platform footrest, angle adjustable

	Fork position	4"-Castor		5"-Castor		6"-Castor		
		30	34	X	X	X	X	
	(5) Not available with Carbotexture Fork	2	30	34	X	X	X	X
	Fork 111 mm	1	30	35	X	X	X	X
		3	30	34	X	X	X	X
		2	30	35	X	X	X	X
	Fork 123 mm	1	30	36	X	X	X	X
		3	30	35	X	X	X	X
		2	30	36	X	X	X	X
	Fork 138 mm	1	30	38	30	39	X	X
		3	30	36	X	X	X	X
		2	30	38	30	39	X	X
	Fork 174 mm	1	30	39	30	40	X	X
		4	X	X	30	40	X	X
3		30	40	30	41	30	34	
		2	30	41	30	43	30	43
		1	30	42	30	44	30	45

Y3-platform footrest "Youngster 3" style

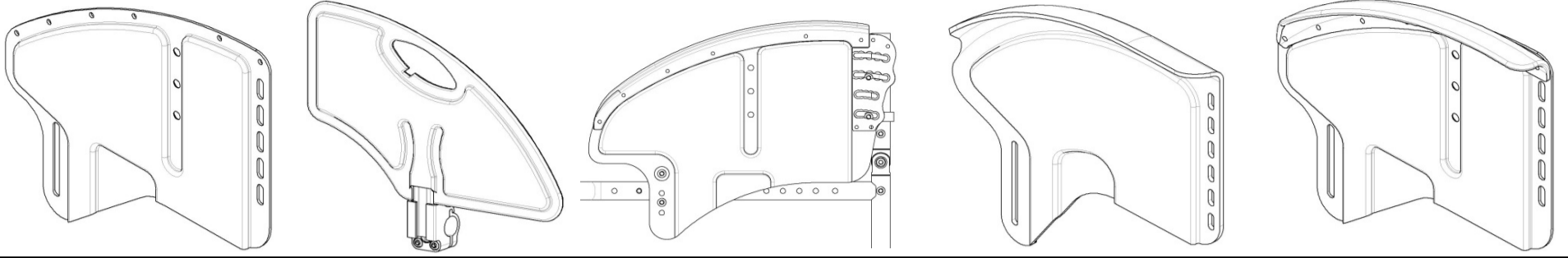
Footplate position 1	Fork position	4"-Castor				5"-Castor				6"-Castor			
		Clamp short		Clamp long		Clamp short		Clamp long		Clamp short		Clamp long	
		min. LLL	max. LLL	min. LLL	max. LLL	min. LLL	max. LLL	min. LLL	max. LLL	min. LLL	max. LLL	min. LLL	max. LLL
Fork 98 mm	2	15	26	12	29	X	X	X	X	X	X	X	X
	1	15	26	12	29	15	26	12	29	X	X	X	X
Fork 111 mm	3	15	26	12	29	X	X	X	X	X	X	X	X
	2	15	26	12	29	15	26	12	29	X	X	X	X
Fork 123 mm	1	15	26	12	29	15	26	12	29	15	26	12	29
	3	15	26	12	29	15	26	12	29	15	26	X	X
	2	15	26	12	29	15	26	12	29	15	26	12	29
Fork 138 mm	1	15	26	12	29	15	26	12	29	15	26	12	29
	3	15	26	12	29	15	26	12	29	15	26	12	29
	2	15	26	12	29	15	26	12	29	15	26	12	29
Fork 174 mm	1	15	26	12	29	15	26	12	29	15	26	12	29
	4	X	X	X	X	15	26	12	29	15	26	12	29
	3	15	26	12	29	15	26	12	29	15	26	12	29
	2	15	26	12	29	15	26	12	29	15	26	12	29

Footplate position 2	Fork position	4"-Castor				5"-Castor				6"-Castor			
		Clamp short		Clamp long		Clamp short		Clamp long		Clamp short		Clamp long	
		min. LLL	max. LLL	min. LLL	max. LLL	min. LLL	max. LLL	min. LLL	max. LLL	min. LLL	max. LLL	min. LLL	max. LLL
Fork 98 mm	2	14	24	11	26	X	X	X	X	X	X	X	X
	1	14	24	11	26	14	24	11	26	X	X	X	X
Fork 111 mm	3	14	24	11	26	X	X	X	X	X	X	X	X
	2	14	24	11	26	14	24	11	26	X	X	X	X
Fork 123 mm	1	14	24	11	26	14	24	11	26	14	24	11	26
	3	14	24	11	26	14	24	11	26	14	24	X	X
	2	14	24	11	26	14	24	11	26	14	24	11	26
Fork 138 mm	1	14	24	11	26	14	24	11	26	14	24	11	26
	3	14	24	11	26	14	24	11	26	14	24	11	26
	2	14	24	11	26	14	24	11	26	14	24	11	26
Fork 174 mm	1	14	24	11	26	14	24	11	26	14	24	11	26
	4	X	X	X	X	14	24	11	26	14	24	11	26
	3	14	24	11	26	14	24	11	26	14	24	11	26
	2	14	24	11	26	14	24	11	26	14	24	11	26

123 mm x 45 mm (3) (5)

Footplate position 3	Fork position	4"-Castor				5"-Castor				6"-Castor			
		Clamp short		Clamp long		Clamp short		Clamp long		Clamp short		Clamp long	
		min. LLL	max. LLL	min. LLL	max. LLL	min. LLL	max. LLL	min. LLL	max. LLL	min. LLL	max. LLL	min. LLL	max. LLL
Fork 98 mm	2	25	35	22	35	X	X	X	X	X	X	X	X
	23 mm x 45 mm (3) (5)	25	36	22	36	25	35	22	38	X	X	X	X
Fork 111 mm	3	25	36	22	36	X	X	X	X	X	X	X	X
	2	25	37	22	37	25	35	22	38	X	X	X	X
Fork 123 mm	1	25	38	22	38	25	37	22	39	25	35	22	38
	3	25	37	22	35	25	35	22	38	X	X	X	X
	23 mm x 45 mm (3) (5)	25	38	22	36	25	37	22	40	25	35	22	38
Fork 138 mm	1	25	39	22	39	25	41	22	41	25	36	22	40
	3	25	36	22	39	25	36	22	40	25	35	22	38
	2	25	40	22	40	25	40	22	41	25	37	22	40
Fork 174 mm	1	25	41	22	42	25	41	22	42	25	39	22	42
	4	X	X	X	X	25	42	22	42	25	38	22	42
	3	25	42	22	42	25	43	22	43	25	41	22	44
	2	25	43	22	43	25	44	22	44	25	45	22	45
	1	25	44	22	44	25	46	22	46	25	47	22	47

ARMREST AND SIDEGUARDS



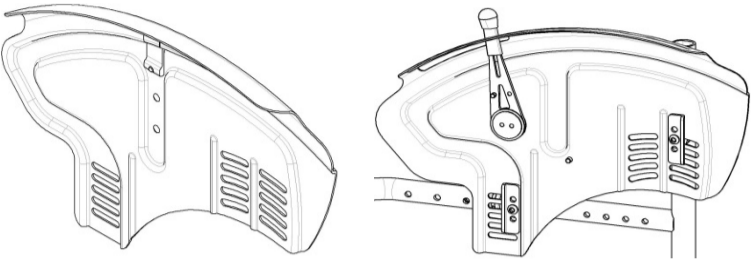
YNG040201

YNG040205

YNG040202

YNG040203

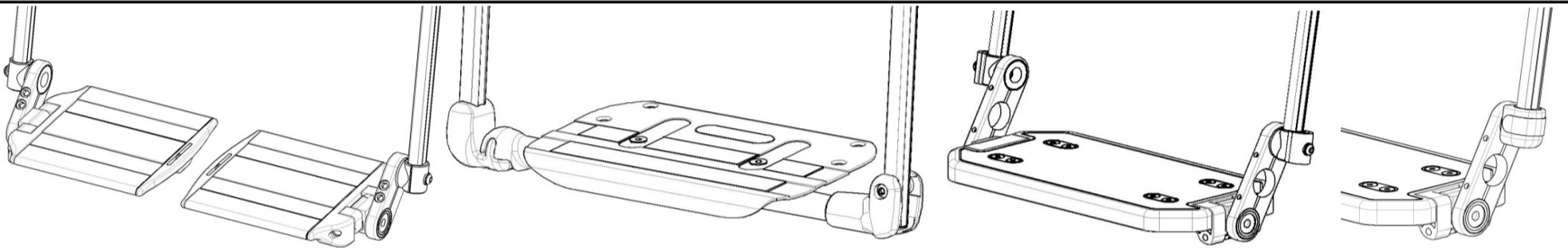
YNG040204



YNG040211

YNG040212

LEGREST & FOOTPLATES

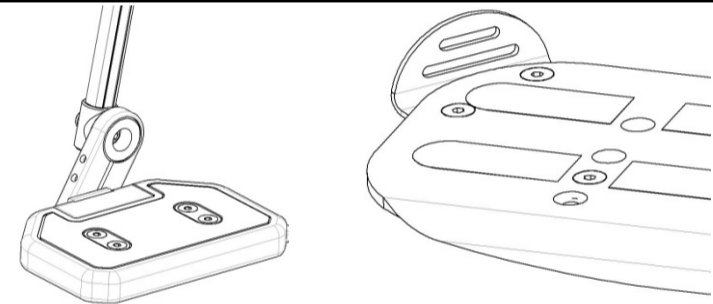


YNG050101

YNG050102 / YNG050103

YNG050106

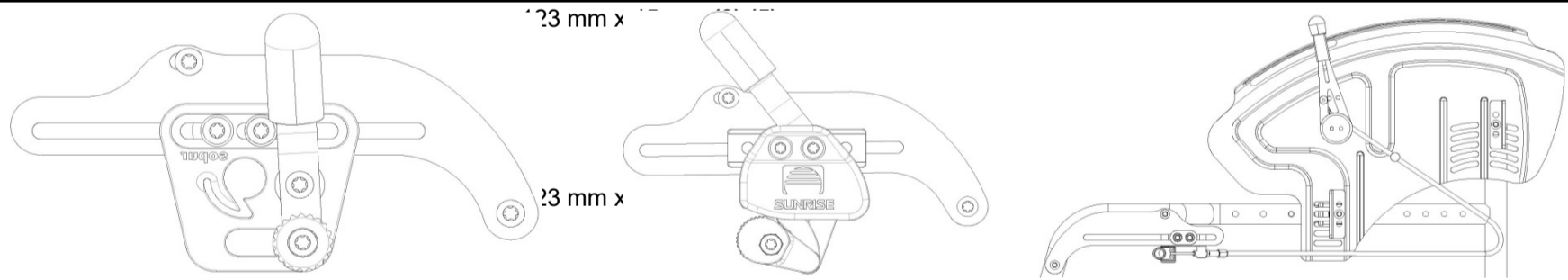
YNG050108



YNG050111

YNG050115

WHEEL LOCKS



YNG060101

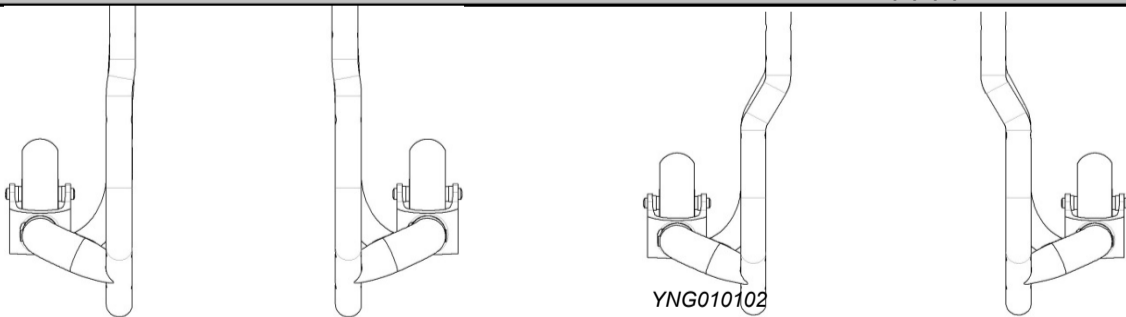
YNG060102

YNG060105

FRAME 123 mm x 45 mm (3) (5)

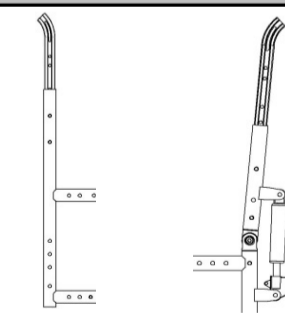
BACKREST

Seat depth growth



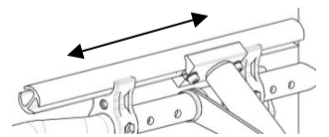
YNG010101

YNG010102
YNG010102



YNG030101

B4me



YNG010201
YNG010201

(5) Not available with Carbotexture Fork