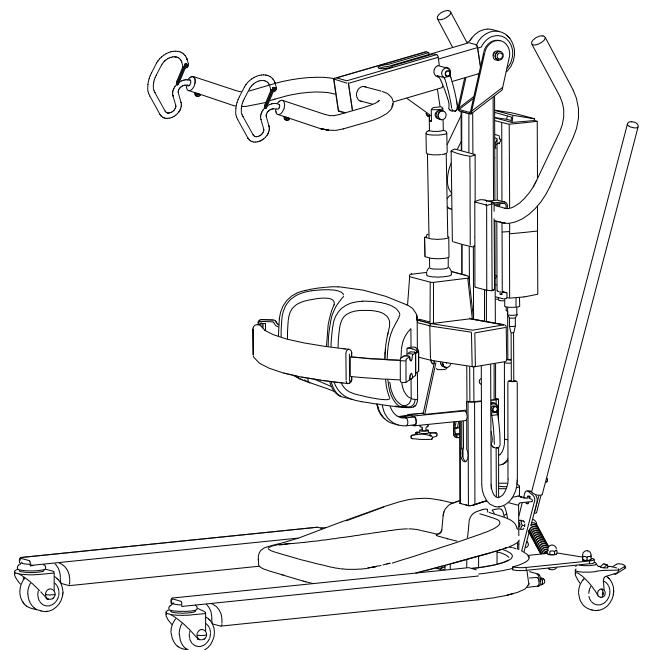
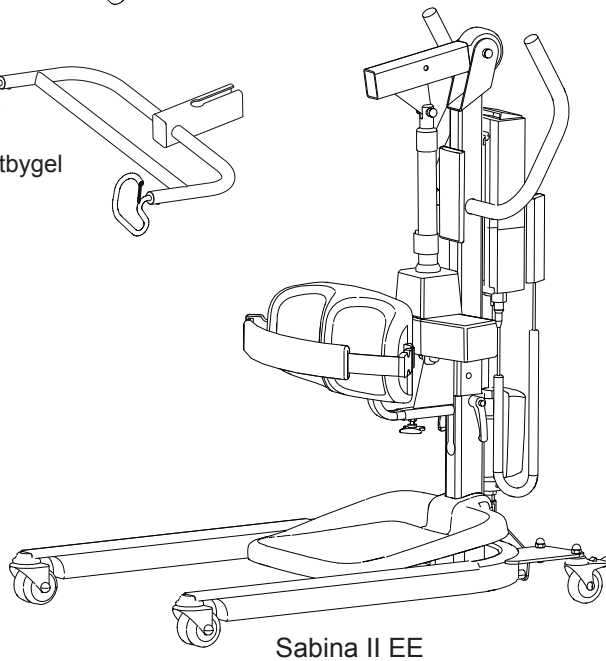
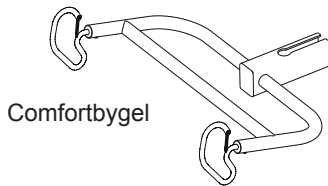
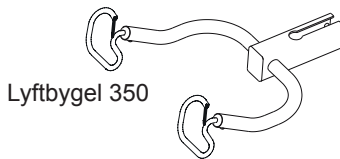


Applies to the following models:

Sabina II EE Prod. No. 2020003
Sabina II EM Prod. No. 2020004



Product Description

The Sabina sit-to-stand lift is especially designed for people who have difficulty in standing up on their own from a seated position.

Sabina is intended for use with patients who are able to actively participate in the raising motion. When standing, they can be moved to a wheelchair or to a toilet; this gives them standing practice in connection with the transfer.

There are two different sling bar options for Sabina, as well as many different sit-to-stand vests. The patient's overall mobility determines the choice of sling bar and sit-to-stand vest.

In this document, the person being lifted is referred to as the patient, and the person helping is referred to as the caregiver.

△ is a warning triangle used for situations which require extra care and attention.

The Sabina equipped with the Comfort SlingBar combined with the Liko ComfortVest provides an especially gentle lifting action without putting pressure under the arms. This combination is suitable for those who are especially sensitive to pressure under the arms, such as people who are paralyzed on one side.

For patients with poor balance, we recommend Sabina SideSupport, which provides the patient with extra lateral stability during the raising motion, as well as in the standing position. Sabina can also, to a limited extent, be used for passive lifting of a patient sitting in a sling.

IMPORTANT!

Read the instruction guide for both the patient lift and lifting accessories before use. Lifting and transferring a person always involves a certain level of risk. It is important to completely understand the contents of the instruction guide. The equipment should be used by trained personnel only. Please contact Liko/Hill-Rom in the event of any uncertainties or questions.

Table of Contents

Safety Instructions	2
Definitions	3
Technical Data	3
Measurement	4
Assembly	5
Operation	7
Charging the Batteries	8
Maximum Load	9
Recommended Lifting Accessories	9
Using Sabina to Assist Users into a Standing Position	10
Using Sabina in Passive Lifting Situations	13
Simple Troubleshooting	15
Inspection and Maintenance	16

△NOTE!

This instruction guide contains important information for users of the product. All those who use the product should review and completely understand the contents of the instruction guide. Remember to keep the instruction guide in a place where it is always available to those using the product.

Safety Instructions

Before using the first time make sure that:

- the lift is assembled in accordance with the assembly instructions
- the lifting accessories are properly attached to the lift
- the batteries have been charged for at least 6 hours
- you have read the instruction guides for the lift and lifting accessories
- personnel using the lift are trained of the correct operation and use of the lift.

Before lifting, always make sure that:

- the lifting accessories are not damaged
- the lifting accessory is selected appropriately in terms of type, size, material and design with regard to the patient's needs
- the lifting accessory is correctly and safely applied to the patient in order to avoid bodily injury
- the lifting accessory is correctly applied to the sling bar
- the sling bar latches are intact. Missing or damaged latches must always be replaced with new ones;
- the sit-to-stand vest's/sling's straps are properly connected to the sling bar hooks when the straps have been fully extended but before the patient is lifted from the underlying surface.
- as a caregiver assure that the patient not are at risk of falling forward or to any side during lifting.

△ **After use, store the lift in forward direction towards a wall and out of reach of unauthorized!**

△ **Never leave a patient unattended in Sabina!**



Sabina II EM and Sabina II EE have been tested by accredited testing institutes, and comply with the requirements for MDD Class 1 products (MDD 93/42/EEC).

Sabina II EM and Sabina II EE comply with the requirements of EN ISO 10535:2006, IEC 60601-1, EN 60601-1-2, ANSI/AAMI ES60601-1 and CAN/CSA C22.2 no 60601-1.

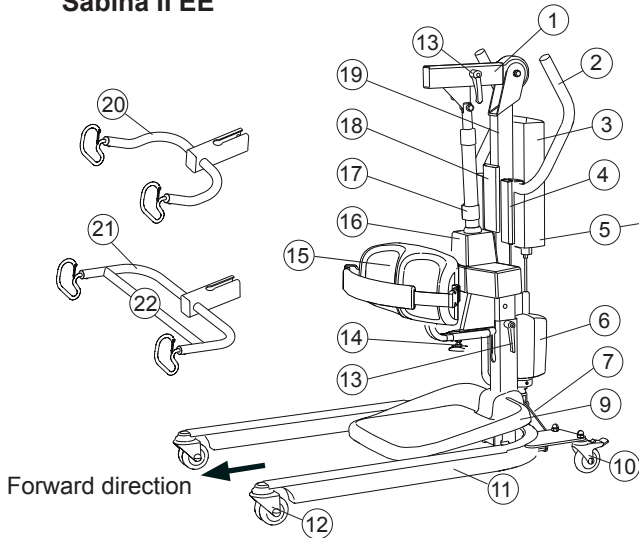
△ **Under no circumstances must the lift be modified. Please contact Liko/Hill-Rom for more information.**

Particular care must be taken when using strong sources of potential disturbance, such as diathermy, etc, so that cables are not positioned on or near the lift. If you have questions, please consult the responsible assistive-device technician or the supplier.

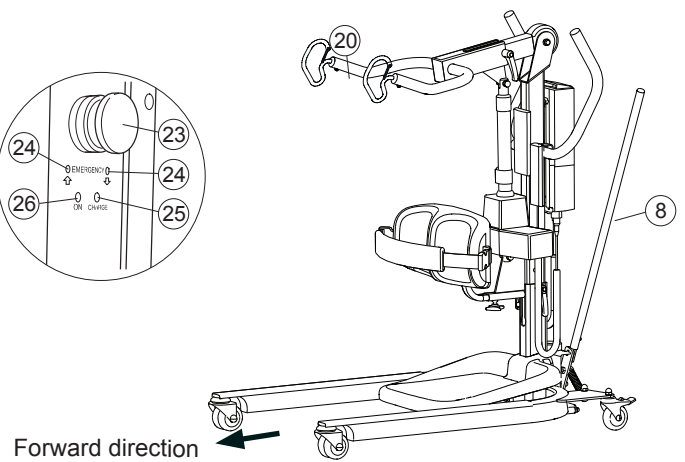
The lift should not be used in areas where flammable mixtures may occur, for example in areas where flammable goods are stored.

Definitions

Sabina II EE



Sabina II EM



- | | |
|---|---|
| <ul style="list-style-type: none"> 1. Lift arm 2. Handles 3. Battery 4. Hand control 5. Control box with emergency stop 6. Motor for base-width adjustment (EE) 7. Decal: shows risk of crushing against the floor (EE) 8. Lever for base-width adjustment (EM) 9. Foot rest (removable) 10. Rear wheels fitted with brake 11. Base 12. Front steering wheels 13. Locking handles 14. Wheel for lower leg support adjustment 15. Lower leg support with calf strap | <ul style="list-style-type: none"> 16. Lift motor 17. Mechanical emergency lowering 18. Holder for quick reference guide with colourcode for sling sizes 19. Lift mast 20. SlingBar 350 21. Comfort SlingBar 22. Cross bar (only Comfort sling bar) 23. Emergency stop 24. Electrical emergency lowering/raising 25. Indicator lamp, charging (Charge = charging) 26. Indicator lamp, charging (ON = switched on) 27. Lifting hook 28. Latches |
|---|---|

Technical Data

- Maximum load:** Active lifting: 200 kg (440 lbs)
Passive lifting: 150 kg (330 lbs)
- Material:** Powder-painted steel.
- Weight:** Total: 45,2 kg (100 lbs)
Heaviest removable part: 22,7 kg (50 lbs)
- Wheels:** Standard front: 75 mm twin wheel.
Standard back: 75 mm individual wheel fitted with brake
- Foot rest:** Removable.
- Lower-leg support:** Adjustable in terms of height and depth. Removable.
- Turning diameter:** 1180 mm (46.5 inch.)
- Emergency lowering device:** Mechanical and electrical.
- Lifting interval:** SlingBar 350: 825 mm (32.5 inch.)
Comfort SlingBar: 785 mm (30.9 inch.)
- Lifting Speed (without load):** SlingBar 350: 54 mm/s (2.13 inch./s)
Comfort SlingBar: 47 mm/s (2.1 inch./s)
- Maximum noise output:** 46 dB(A)
- Protection class:** IP X4

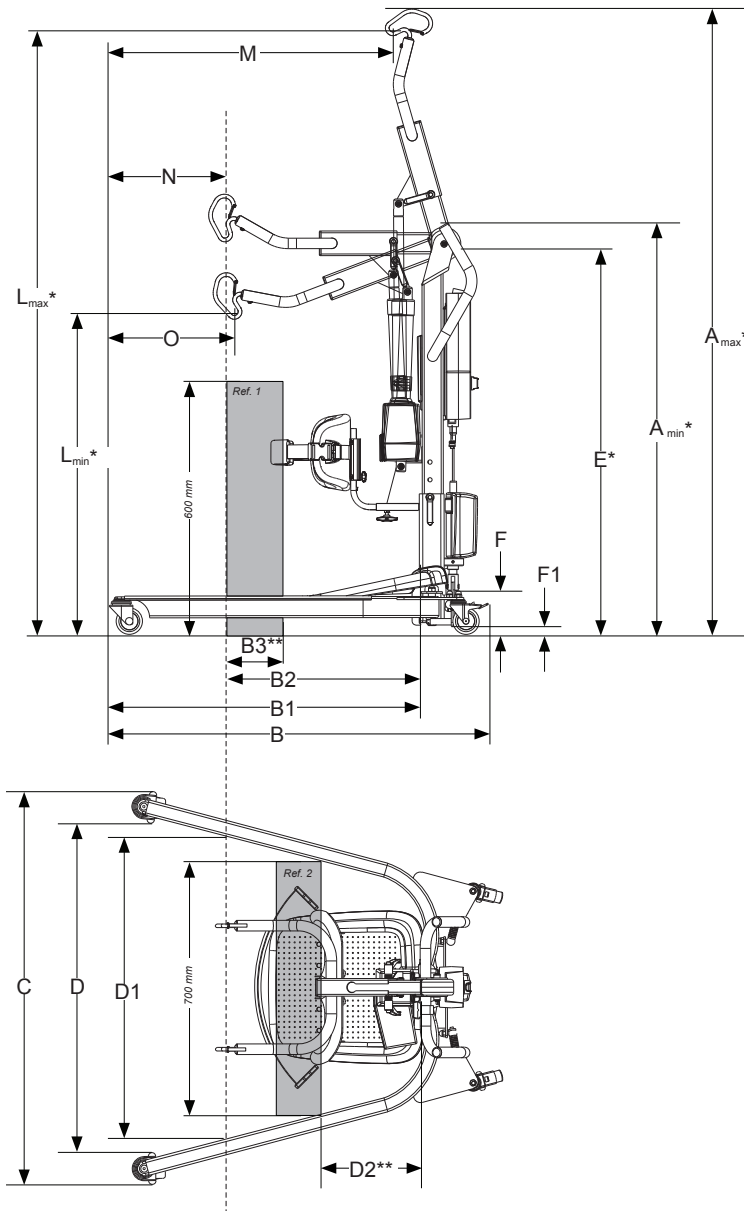
- Operating forces of controls:** 2.4 N
- Intermittent operation:** Int. Op 10/90, active operation max 2 min. Only 10% of a given length of time may be active, yet no more than 2 min.
- Batteries:** 2 x 12 V 2.9 Ah. Valve-regulated lead-acid gel-type batteries. New batteries are provided by the supplier.
- Battery charger:** Built-in charger for 100-240 VAC, 50-60 Hz, max 400 mA.
- Lift motor:** 24 V 9,2 A, permanent magnetic motor with mechanical safety mechanism.
- Motor base:** 24 V, 5 A, permanent magnetic motor.

The device is intended for use indoors.

Type B, in accordance with the electrical shock protection class.

Class II equipment.

Measurement



Measurements

(mm.)

Sabina II EE / EM	A _{min} *	A _{max} *	B	B1	B2	B3	C	D	D1	D2**	E*	F	F1	L _{max} *	L _{min} *	M	N	O
SlingBar 350	1050	1770	1060	870	590	190	690-1115	530-1005	915	210	900-1000	107	22	1725	800	790	280	310
Comfort SlingBar	1050	1750	1060	870	555	150	690-1115	530-1005	900	210	900-1000	107	22	1695	810	790	315	340

(inch.)

Sabina II EE / EM	A _{min} *	A _{max} *	B	B1	B2	B3	C	D	D1	D2**	E*	F	F1	L _{max} *	L _{min} *	M	N	O
SlingBar 350	41.3	69.6	41.7	34.2	23.2	7.5	27.2-44.9	20.9-39.5	36.0	8.2	35.4-39.3	4.2	0.9	67.9	31.5	31.1	11.0	12.2
Comfort SlingBar	41.3	68.9	41.7	34.2	21.8	5.9	27.2-44.9	20.9-9.5	35.4	8.2	35.4-39.3	4.2	0.9	66.7	31.8	31.1	12.4	13.4

* Different measurements depending on the height-setting position, please see "Assembly", p. 5. Note! The measurements are based on the lift being equipped with standard wheels. When changing wheels, check that the lift still achieves desired lifting height.

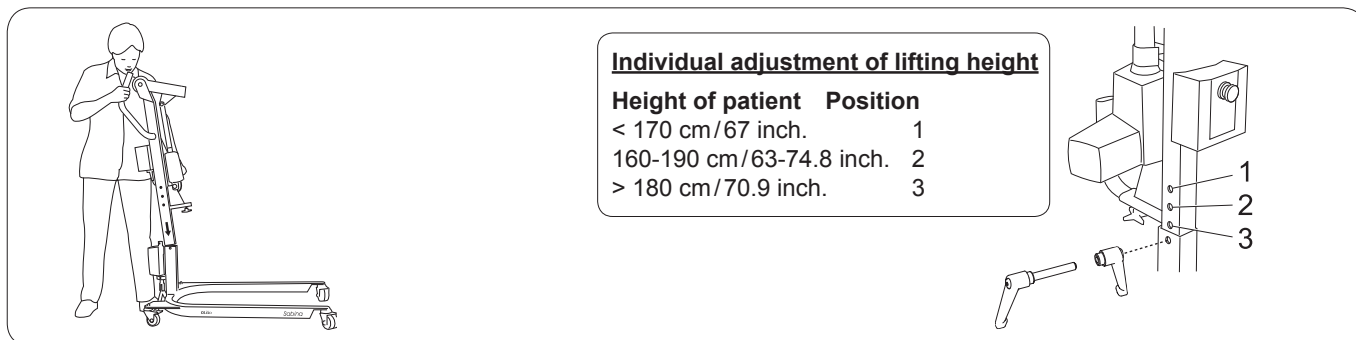
** Reference measurement according to Standard EN ISO 10535:2006.

Assembly

Before assembly, make sure you have the following parts:

- Lift mast with lift arm, control box, lift motor
- Sling bar with safety latches and locking handles
- Hand control with cable
- Battery incl. holder for the charging cable
- Base with locking handles (incl. motor for base-width adjustment, Sabina II EE)
- Lever for base-width adjustment (Sabina II EM)
- Foot rest and frame for the foot rest
- Lower leg support
- Bag containing instruction guide, charger connector cable, extension cord and quick reference guide.

NOTE! Sabina II EM is always supplied with SlingBar 350. For Sabina II EE, the sling bar is supplied separately, either as SlingBar 350 or the Comfort SlingBar. We show the Sabina with Comfort SlingBar in this description.

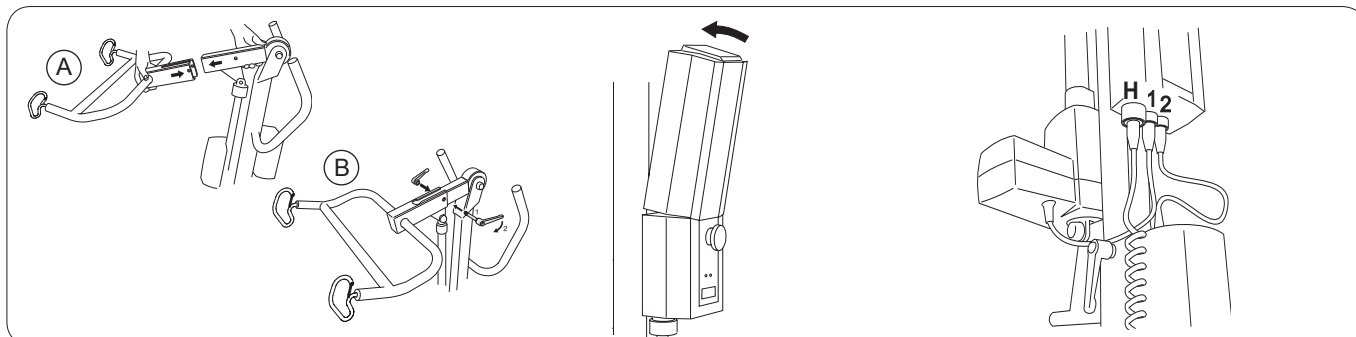


Individual adjustment of lifting height

Height of patient	Position
< 170 cm/67 inch.	1
160-190 cm/63-74.8 inch.	2
> 180 cm/70.9 inch.	3

1. Remove the locking handle from the base. Place the lift mast in the foot of the base.

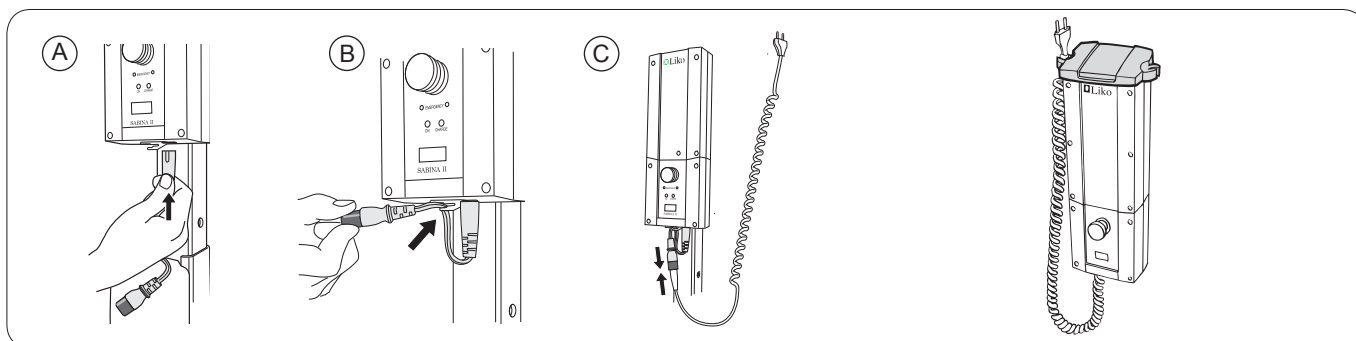
2. With the lift mast, the lifting height may be adjusted to three different levels. Choose one of the three holes depending on the height of the patient; the distance between holes is 5 cm/2 inch. (see illustration above). Secure the lift mast in the base with the included locking handle.



3. A) Remove the locking handle from the lift arm. Slide the sling bar onto the lift arm with the opening on the lifting hooks facing upward (see illustration). B) Attach the locking handle and tighten.

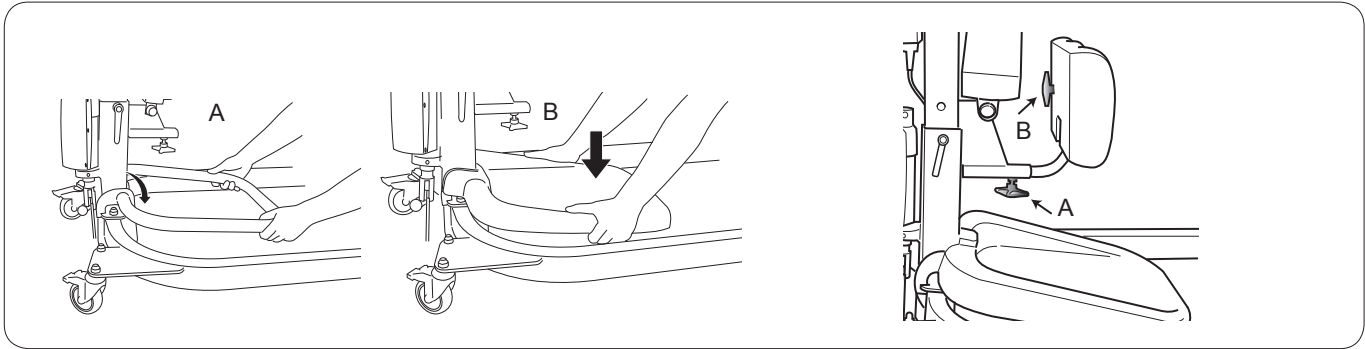
4. Place the battery in the control box. Make sure that the battery is secured (a click will be heard).

5. Connect the cables as follows:
 - 1. cable, lift motor.
 - 2. cable, motor for base-width adjustment (only Sabina II EE).
 - H. cable, hand control.



6. A) Connect the charger cable to the socket under the control box. B) Attach the connector cable to the strain relief system. C) Plug the charger cable into the connector cable.

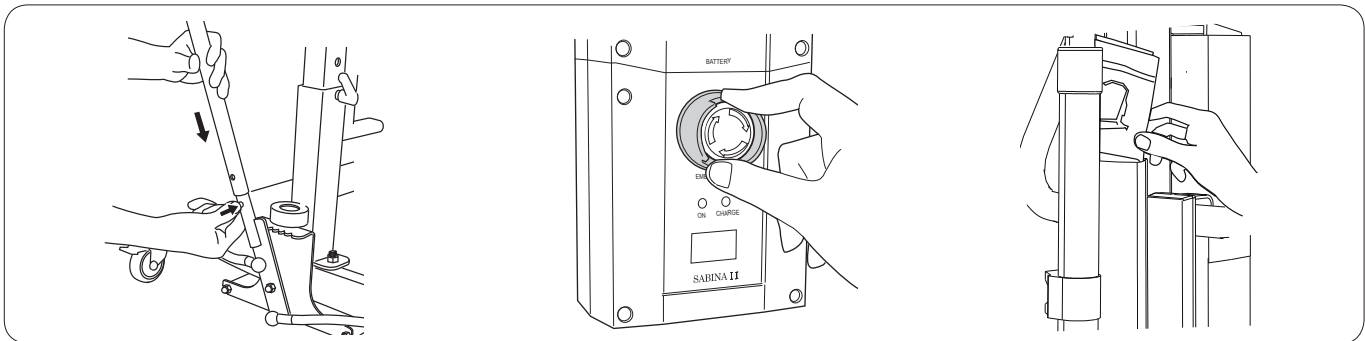
7. Install the holder for the charging cable: Hook it on the front edge of the battery and push down on the back until you hear a clicking sound.



8. A) Put the frame for the foot rest over the lift mast's bracket to the base. Make sure the frame is securely in place.

B) Push the footrest into the frame.

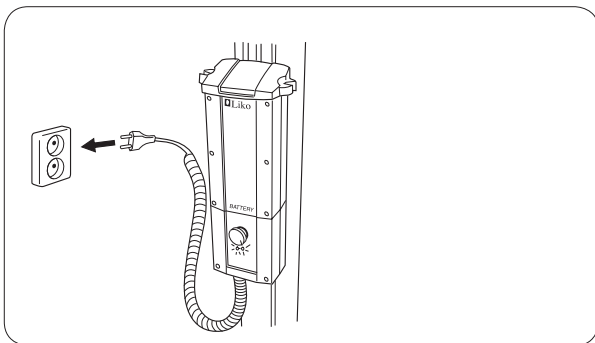
9. Install the lower leg support on the lift mast. Loosen wheel A in order to adjust the distance to the patient's lower legs. Loosen wheel B in order to adjust the height setting. After adjustment, lock wheels A and B.



10. Install the lever for base-width adjustment (only Sabina II EM): Push in the catch on the lift and put the lever in place. Rotate the lever to the right position (a clicking sound will be heard).

11. Release the emergency stop by turning the button in the direction indicated by the arrows on the button.

12. Place the quick reference guide in the holder on the lift mast.

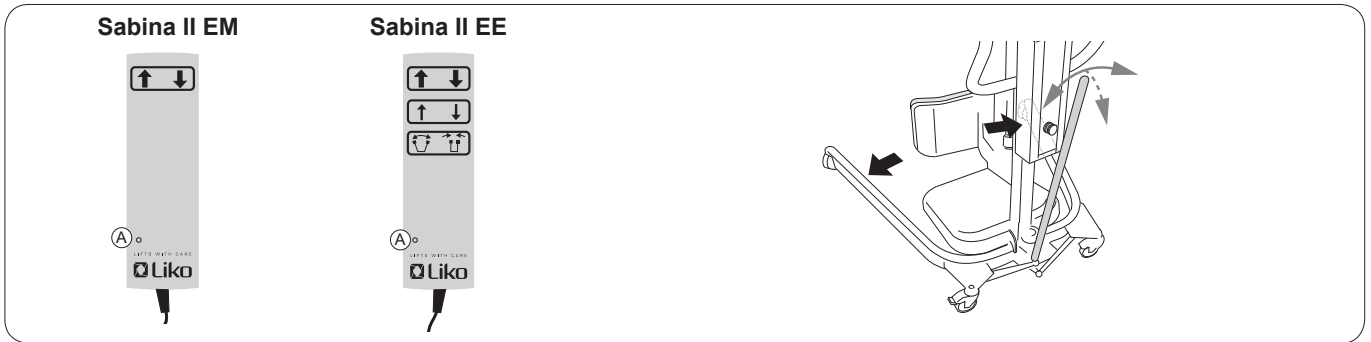


13. Before the first use, the lift's battery should be charged for at least 6 hours. For detailed instructions, see "Charging the Batteries", p. 8.

After assembly, make sure that:

- the motion of the lift arm corresponds to the buttons on the hand control
- the emergency lowering device works (mechanically and electrically)
- the base-width adjustment works
- the wheel brakes are working
- the indicator lamps on the front of the control box illuminate during charging.

Operation

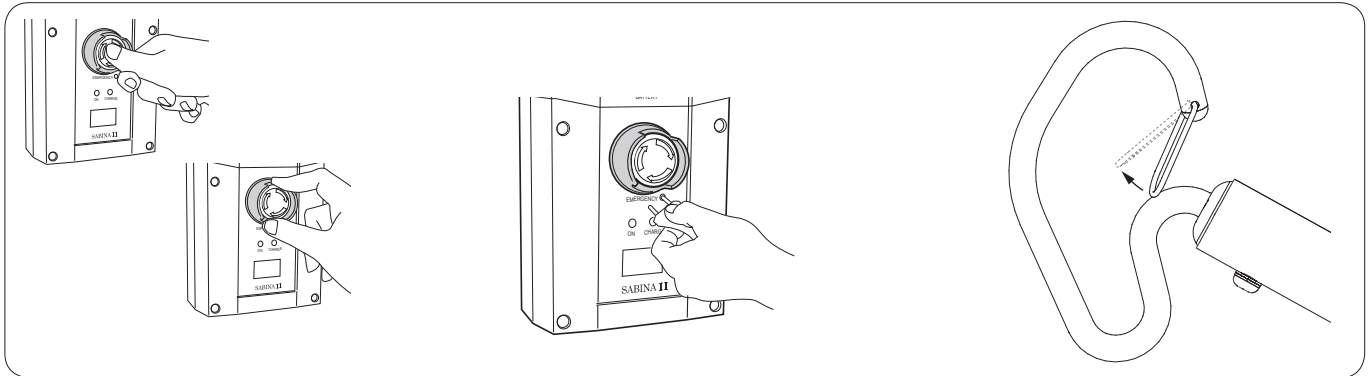


Hand control

Indicator lamp (A) - charge the battery of the lift!
 The lifting motion is operated with the push buttons on the hand control. The direction in which the arrows are pointing applies when the hand control is held as shown in the picture.
 To raise or lower the lift arm, press or . The lifting motion stops as soon as the push button is released.
 The hand control on Sabina II EE also has the following functions: lower lifting speed (thinner arrows) and electrical base-width adjustment and .

Manual base-width adjustment (Sabina EM)

Base-width adjustment is done by pushing the lever backwards out of the blocked position and sideways to adjust the width. When the lever is released, the position is blocked.



Emergency stop

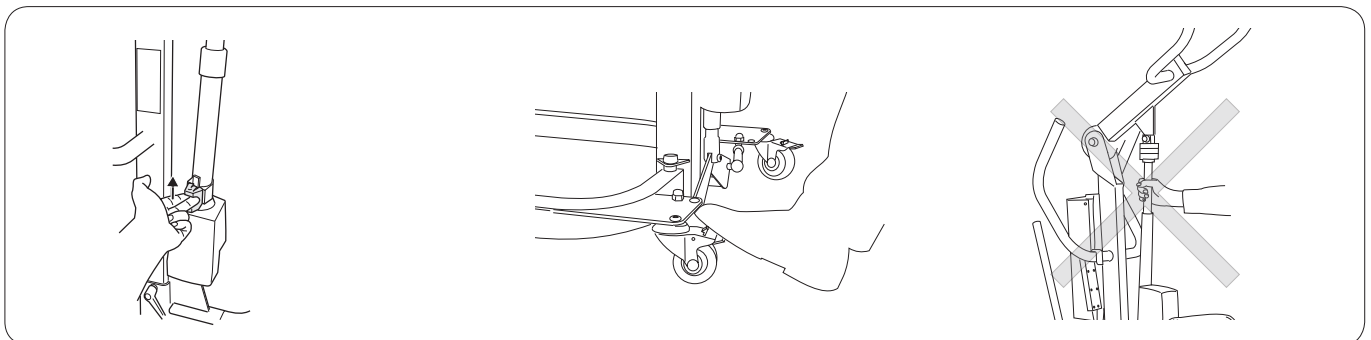
Activate: Press the red button on the control box.
Reset: Turn the button in the direction shown by the arrows until the button springs out.

Electrical emergency lowering/raising

Use a narrow object to push the buttons inside the labelled holes on the control box.
⚠ The object used to press must not be sharp, since this may cause damage on the control box!

Installation of latches

After installation, check that the latch locks and moves freely in the sling bar hook.



Mechanical emergency lowering

Pull the red emergency lowering control straight upwards. Mechanical emergency lowering only works when the lift arm is under load, i.e. when a patient is standing/sitting in the lift. The lowering motion is slightly delayed.

Locking the wheels

The rear wheels can be locked to prevent rotating and turning. To lock the wheels, push down the lock pedal with your foot. To unlock the wheels, push on the raised button at the wheel. During passive/active lifting, the wheels should be unlocked so that the lift can be moved to the patient's centre of gravity.

⚠ Never move the lift by pulling on the actuator!

Charging the Batteries

Indications for charging the battery

In the event of low battery voltage, a signal from the control box will sound. At the same time, an indicator on the hand control will illuminate. When this happens, the battery must be charged as soon as possible. However, there is sufficient power for a few more lifts. There is a display on the control box indicating current battery capacity. When all fields are black, the battery is fully charged. When the symbol (🔋) is displayed, the battery must be re-charged as soon as possible.

Battery charging and maintenance

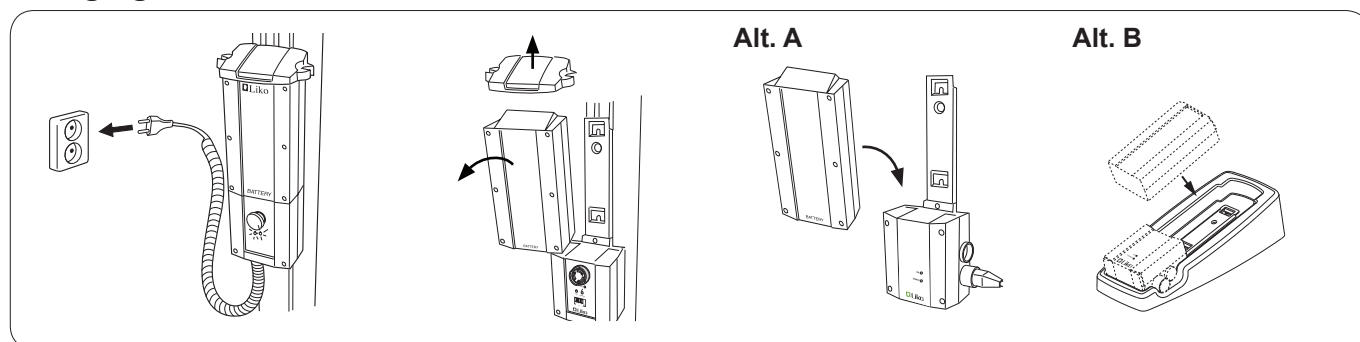
To get maximum life time, it is important to charge the battery regularly. We recommend charging after use of the lift or every night. Batteries are fully charged after approx. 6 hours. When the battery is fully charged, the charger is switched off automatically. If the lift is not used every day, we recommend connecting the lift to the charger, or pushing in the emergency stop after use, in order to turn off the current and save the battery. Ensure that the battery is fully charged before pushing the emergency stop.

NOTE! The lift cannot be charged with the emergency stop engaged.

NOTE! When charging, a yellow indicator lamp on the control box will illuminate. The yellow lamp turns off when the battery is fully charged. If the lamp has not turned off after 8 hours of charging, the battery probably needs to be replaced. Stop charging and replace the battery.

⚠ **Never charge batteries in a wet area.**

Charging



Built-in charger (standard.):

Connect the charger cable to a socket (100-240 V AC). Make sure that both indicator lamps on the charger are illuminated. The yellow lamp indicates that charging is taking place, while a green lamp indicates that power is being supplied to the charger. If the charger cable is beginning to stretch, it should be replaced in order to minimize the risk of the cable getting stuck and breaking.

Wall-mounted charger or table charger:

Detach the holder for the charger cable. Remove the battery from the control box by releasing the blocking bolt on top of the battery.

Alt. A. Place the battery on the wall-mounted charger. Plug the charger into a socket (100-240 V AC). Make sure that both indicator lamps on the charger are illuminated. The yellow lamp indicates that charging is taking place, while a green lamp indicates that power is being supplied to the charger.

Alt. B. Place the battery on the charger in the table charger housing. Plug the charger into a socket (100-240 V AC). Make sure that both indicator lamps on the charger are illuminated. The yellow lamp indicates that charging is taking place, while a green lamp indicates that power is being supplied to the charger.

NOTE! The lift cannot be used when the charger cable is plugged into a socket.



Sabina II EM and Sabina II EE comply with the Directive 2002/96/EC on waste electrical and electronic equipment. Old batteries are to be deposited at the nearest recycling facility in accordance with local regulations or given to personnel authorized by Liko/Hill-Rom.

Maximum Load

Different maximum loads may apply to different products on the assembled lift unit: lift, sling bar, sit-to-stand vest and any other accessories used. For the assembled lift unit, including accessories, the maximum load is always the lowest maximum load rating for any of the components. Check the markings on the lift and lifting accessories, contact your Liko/Hill-Rom representative if you have any questions.

Recommended Lifting Accessories

△ Using other lifting accessories than those recommended below may induce risk.

Below is a description of recommended lifting accessories for Sabina II. Study also the instruction guide for respective sit-to-stand vest/sling or lifting accessory for further guidance.

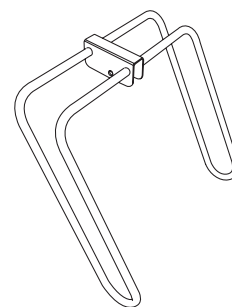
Contact your Liko/Hill-Rom representative or visit www.liko.com for advice and information on Liko's product range.

Sabina SideSupport

Sabina SideSupport is an accessory for patients with reduced lateral stability.

Prod. No. 2027101: can be used with Sabina II with a split lift arm (ser. no. \geq 402794).

Prod. No. 2027100: can be used with earlier Sabina models with a fixed (not split) lift arm (ser. no. \leq 402793).

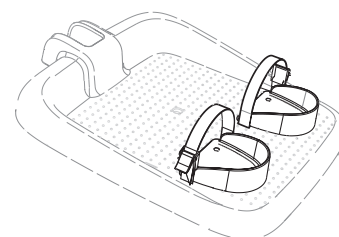


Heel Support Sabina

Heel supports are used if the patient's feet need to be fixed to the foot rest. Foot straps are included.

△ Be aware of any decreased mobility and/or the risk of hyperextension of the knee joints when using Sabina Heel Support.

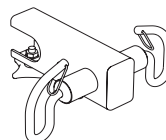
Prod. No. 2027011



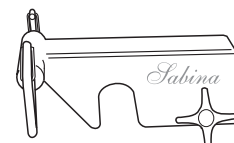
SeatStrap SlingBar

Prod. No. 2027007: can be used with Sabina II.

Prod. No. 2027006: can be used with earlier Sabina models, but can also be used with Sabina II.



Prod. No. 2027007

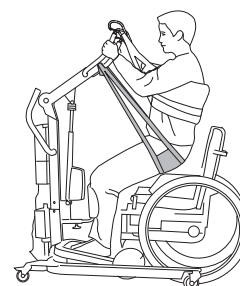


Prod. No. 2027006

Sabina SeatStrap

The SeatStrap is an accessory that facilitates the first part of the raising motion. The SeatStrap is connected to a SeatStrap SlingBar, which helps the patient move the seat up when raising. In standing position, the SeatStrap can be easily disconnected so that it is not in the way when, e.g., going to the toilet.

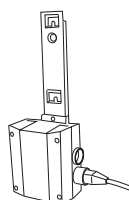
Prod. No. 3591115



Battery charger, wall-mounted

or for use with a table charger housing

Prod. No. 2004106



Extra battery

Prod. No. 2006106

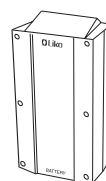
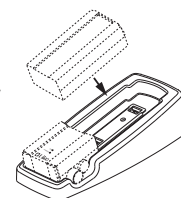


Table charger housing

excl. charger and battery

Prod. No. 2107103

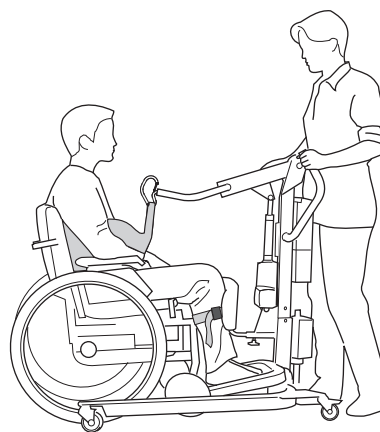
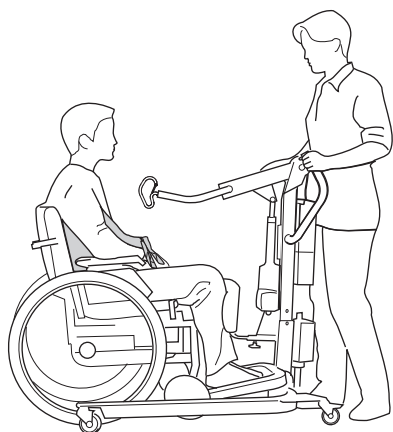


Using Sabina to Assist Users into a Standing Position

There are two different sling bar options available for Sabina, as well as many different sit-to-stand vests. The patient's overall mobility determines which sling bar and sit-to-stand vest to use. Carefully read the instruction guide for the lifting accessories used. Before using Sabina, it is important to make an individual setting of the lifting height, see page 5.

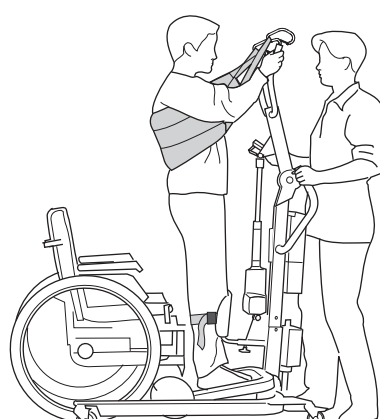
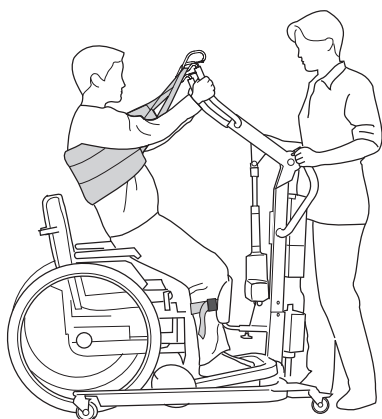
Raising a person with active lifting using Sabina with SlingBar 350

For this sling bar, we recommend Liko SupportVest mod. 91 or Liko SafetyVest mod. 93, 94. When using SlingBar 350, the patient has the arms outside the sling. SlingBar 350 in combination with SafetyVest mod. 93, 94 gives the patient extra support in the standing-up situation. Below please find a description of the use of the SupportVest mod. 91. See the instruction guide for the respective sit-to-stand vest for more information.



1. Place the SupportVest around the patient according to the vest's instruction guide. Place Sabina in front of the patient and adjust the width of the base. Place the feet in the middle of the foot rest with the lower legs parallel to the lower leg support. Adjust the height and depth of the lower leg support as needed for comfortable support below the kneecap.

2. Connect the vest's straps to the sling bar's hooks. Tighten the calf strap.



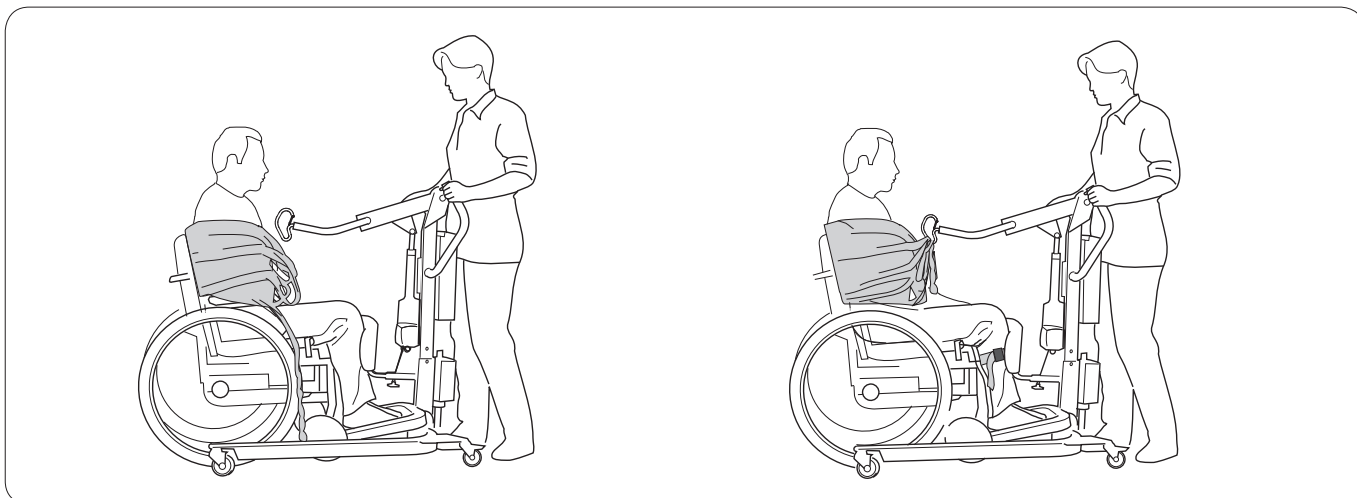
3. Raise the sling bar about 10–20 cm (4–8 in). The patient grabs the sling bar. Continue the lifting procedure. If the patient leans backwards, the raising will be made easier, preventing the vest from sliding up. The height to which the lift should proceed varies from person to person.

△ Before the patient is lifted from the underlying surface, but after the straps have been fully extended, make sure the straps are properly connected to the sling bar.

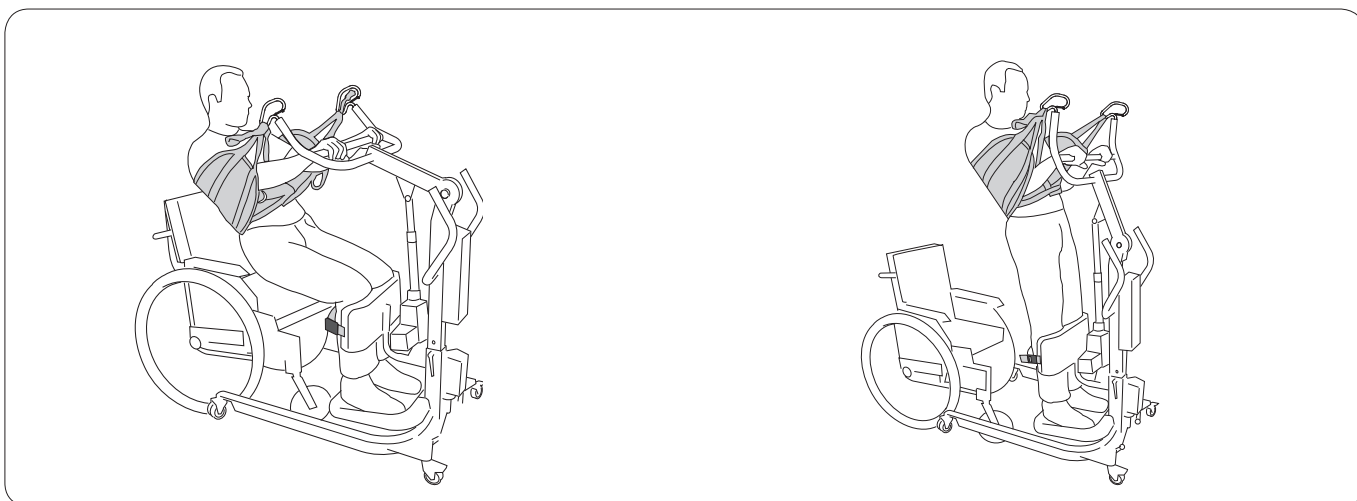
4. For a more upright position, continue the lifting motion to the uppermost position. The raising motion can be experienced as unpleasant for the person not used to it. Remember that Sabina II EE has two different speeds. For maximum comfort, the lift mast should be affixed to the base in the best possible of the three fastening holes. See page 5.

Raising a person with active lifting using Sabina with the Comfort SlingBar

For this sling bar, we recommend Liko ComfortVest mod. 95. This combination is suitable for people who are especially sensitive to pressure under the arms, such as people who are paralyzed on one side. The ComfortVest is designed to lift behind the back and on the outside of the arms. The Comfort SlingBar can also, to a limited extent, be used with Liko SafetyVest mod. 93 and 94, especially for larger patients. Below is a description of how to use ComfortVest mod. 95. See the instruction guide for the respective sit-to-stand vest for more information.



1. Place the ComfortVest around the patient according to the vest's instruction guide. Place Sabina in front of the patient. Adjust the width of the base. Place the feet in the middle of the foot rest with the lower legs parallel to the lower-leg support. Adjust the height and depth of the lower-leg support as needed for comfortable support below the kneecap.
2. Connect the vest's straps to the sling bar's hooks. Tighten the calf strap.

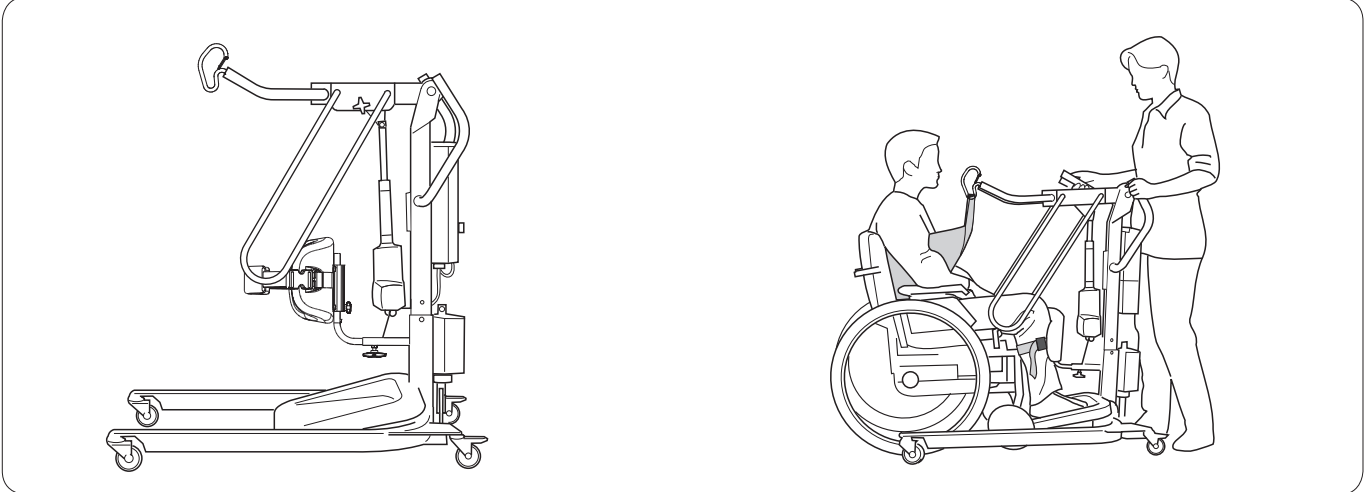


3. Raise the sling bar about 10–20 cm (4-8 in). The patient grabs the sling bar. Continue the lifting procedure. If the patient leans backwards, the raising will be made easier, preventing the vest from sliding up. The height to which the lift should proceed varies from person to person.
△ Before the patient is lifted from the underlying surface, but after the straps have been fully extended, make sure the straps are properly connected to the sling bar.
4. For a more upright position, continue the lifting motion to the uppermost position. The raising motion can be experienced as unpleasant for the person not used to it. Remember that Sabina II EE has two different speeds. For maximum comfort, the lift mast should be affixed to the base in the best possible of the three fastening holes. See page 5.

Raising a person with active lifting using Sabina with Sabina SideSupport.

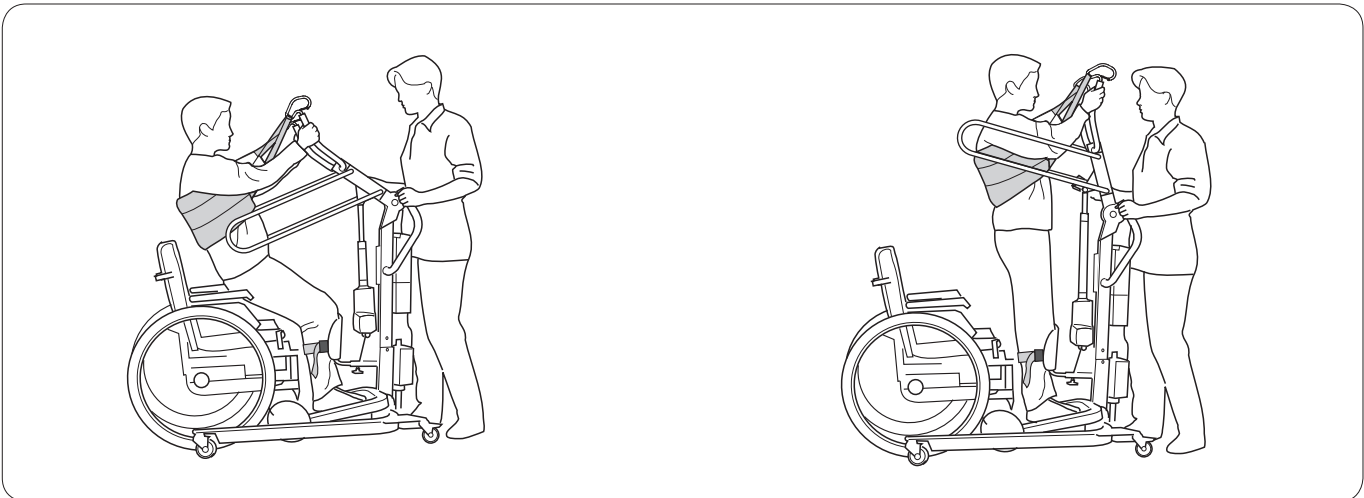
Sabina SideSupport is an accessory intended for use by patients with diminished lateral balance. See "Recommended Lifting Accessories," page 9. There are two different sling bar options for Sabina SideSupport, and a variety of sit-to-stand vests. The patient's overall mobility determines the choice of sling bar and sit-to-stand vests. Please carefully study the instruction guide for the accessories to be used. How to use SupportVest mod. 91 with SlingBar 350 is described below.

Follow the instructions on page 11. This section includes supplementary information.



1. Mount the SideSupport onto Sabina in accordance with the SideSupport's assembly instructions.

2. Place the SupportVest around the patient in accordance with the vest's instruction guide. Connect the vest's straps to the sling bar's hooks. Tighten the calf strap.



3. Raise the sling bar about 10–20 cm (4-8 in). The patient grabs the sling bar. Continue the lifting procedure. If the patient leans backwards, the raising will be made easier, preventing the vest from sliding up. The SideSupport provides good support in the half-standing position and prevents lateral motion.

△ Before the patient is lifted from the underlying surface, but after the straps have been fully extended, make sure the straps are properly connected to the sling bar.

4. Continue the raising motion to the height desired. The SideSupport provides good support in the standing position.

Problems while helping a patient get to his feet

The patient does not reach a sufficiently upright position - what is to be done?

Sometimes this is due to the patient's state of health or mobility: weakened musculature, lack of strength and/or diminished mobility in hip or knee joints. In order to get the best possible use out of Sabina, there are some things to keep in mind:

- 1 Connect the vest's inner strap loop (B) to the sling bar hooks. 

- 2 Raise the lift mast to achieve higher lifting height. See adjustment of lifting height, page 5.

- 3 Try a smaller vest size. A smaller vest means a shorter distance to the hooks and a more upright standing position.

The patient has a hard time participating in the first part of the raising motion - what is to be done?

Sabina SeatStrap is an accessory meant for patients who need extra help with raising the seat during the first part of the raising motion. For more information, see "Recommended Lifting Accessories," page 9, or read the instruction guide for Sabina SeatStrap.

Using Sabina in Passive Lifting Situations

For passive lifting, we recommend a sling model that does not restrict the lifting height too much. Adjustment on a case-by-case basis is always important to functionality and security. The patient's overall mobility determines the choice of sling model and sling bar. Remember that the maximum load for passive lifting is reduced from 200 kg (440 lbs) to 150 kg (330 lbs); this is due to the fact that during passive lifting, the foot rest does not bear any of the load.

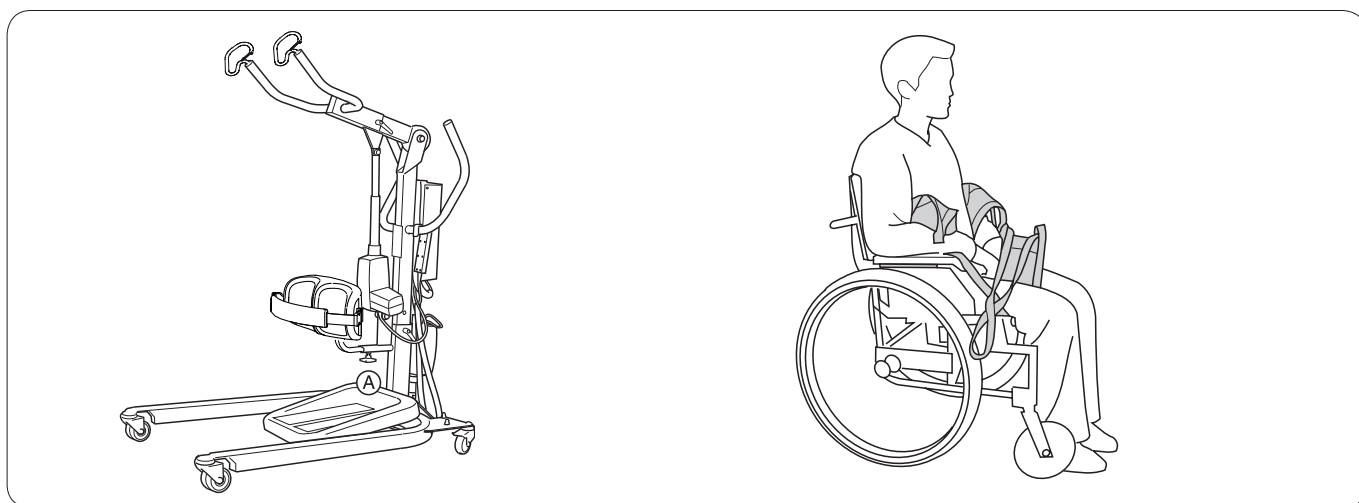
Sabina with SlingBar 350 (bar width 350 mm)

For this sling bar, we recommend Liko OriginalSling mod. 10 and 11, Liko HygieneSling mod. 40, 41, 45 and 46, as well as the Liko Straps.

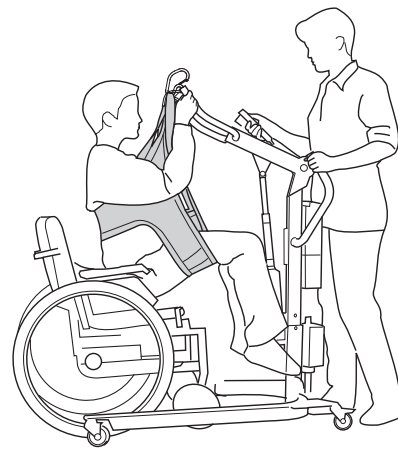
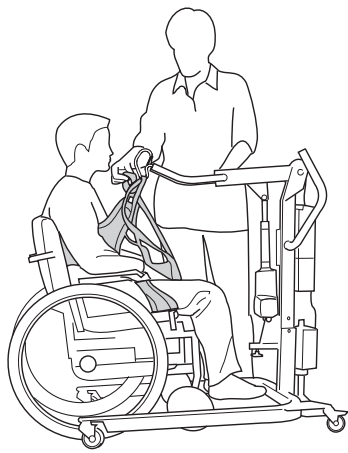
Sabina with Comfort SlingBar (bar width 600 mm)

For this sling bar, we recommend Liko UniversalSling mod. 00 and 02, as well as Liko OriginalSling mod. 10 and 11. See the respective instruction guide for the sling model for more information or contact Liko for further guidance.

Passive lifting using Sabina with SlingBar 350



1. Disassemble the lower leg support: Unscrew screw A. Pull out the lower leg support. Remove the foot rest: Grab the front edge of the frame. Fold it up and lift it off the base.
2. Apply suitable sling according to the sling's instruction guide. Above Liko HygieneSling mod. 40 is applied.



3. Advance the lift. Connect the sling's suspension loops to the sling bar's hooks. The height setting of the lift mast may have to be adjusted, see page 5.
△ Before the patient is lifted from the underlying surface, but after the sling's straps have been fully extended, make sure the straps are properly connected to the sling bar.

4. Raise the sling bar to the lowest height necessary to perform the transfer.
△ Make sure that the lifting motion is not so high that the patient gets too close to the lift mast!

△ NOTE!

Lifting seated persons with Sabina cannot replace lifting procedures for sitting persons using traditional mobile lifts, e.g. using Viking, Uno, Golvo or LikoLight. The function is intended as a temporary solution when the patient cannot manage an active raising motion using Sabina. If the need for passive lifting persists, we recommend that you switch to one of the lifts mentioned above.

Simple Troubleshooting

**The lift does not go up/down.
Base width adjustment does not work (in/out).**



1. Check that the emergency stop has not been engaged
2. Make sure that the cables to the control box are connected correctly.
3. Make sure that the charging cable is not connected to a socket.
4. Check the battery voltage.
5. Check that the battery's contact plates are not defective or broken.
6. *If the lift still does not work properly, please contact Liko/Hill-Rom.*

The charger doesn't work.



1. Check that the emergency stop has not been engaged
2. Check that the battery's contact plates are not defective or broken.
3. *If the lift still does not work properly, please contact Liko/Hill-Rom.*

The lift is stuck in a high position.



1. Check that the emergency stop has not been engaged
2. Use the selected electrical emergency lowering device to lower the patient onto a firm surface.
3. Use the selected mechanical emergency lowering device to lower the patient onto a firm surface.
4. Check the battery voltage.
5. *If the problem remains, please contact Liko/Hill-Rom.*

If you hear unusual sounds.



Contact Liko/Hill-Rom.

Inspection and Maintenance

Care and Maintenance

For trouble-free use, certain details should be checked each day the lift is used:

- Inspect the lift and check to make sure that there is no external damage.
- Check the functionality of the locking handles.
- Check the functionality of the latches.
- Check the raising, lowering and the base-width adjustment.
- Check to make sure that the emergency lowering (both electrical and mechanical) works.
- Charge the batteries each day the lift is used and make sure the charger works.

When necessary, clean the lift with a moist cloth, using warm water or disinfectant.

NOTE! Do not use cleaning agents that contain phenol or chlorine, since these can damage aluminium and plastic materials.

△ **The lift should not be exposed to running water.**

Service

Sabina should be periodically inspected at least once a year.

△ **Periodic inspection, repair and maintenance should be performed only in accordance with the Liko Service Manual and by personnel authorized by Liko and using original Liko spare parts.**

Service Agreement

Liko offers the opportunity to enter into service contracts for the maintenance and regular inspection of your Liko product.

Expected Life Time

The product has an expected life time of 10 years when correctly handled, serviced and periodically inspected in accordance with Liko's instructions.

Transport and Storage

During transportation, or when the lift is not to be used for a long time, the emergency stops should be engaged. The environment where the lift is transported and stored should have a temperature of 10–40 °C (50–104 °F) and a relative humidity of 30 to 75 %. The air pressure should be 700–1060 hPa.

Recycling

For instructions on how to recycle your Liko product, please visit our website: www.liko.com.

Product Changes

Liko's products undergo continuous development, which is why we reserve the right to make product changes without prior notice. Contact your Liko/Hill-Rom representative for advice and information about product upgrades.

Design and Quality by Liko in Sweden

Liko is quality certified in accordance with ISO 9001 and its equivalent for the medical device industry, ISO 13485. Liko is also certified in accordance with environmental standard ISO 14001.



A  Company

www.liko.com

Manufacturer:

Liko AB
Nedre vägen 100
SE-975 92 Luleå
Sweden
info@liko.se