

Sara Stedy

Parts List



CE

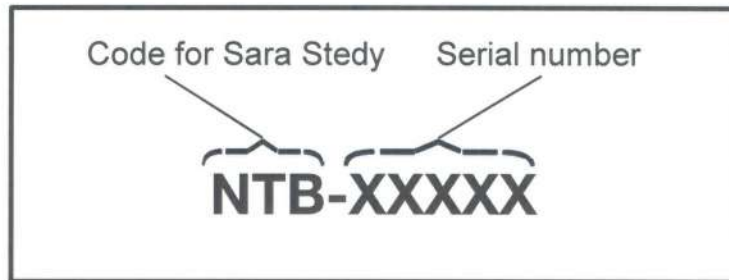
Serial Number Information

Before ordering spare parts, study the exploded view closely and make sure that you are familiar with all the spare parts involved.

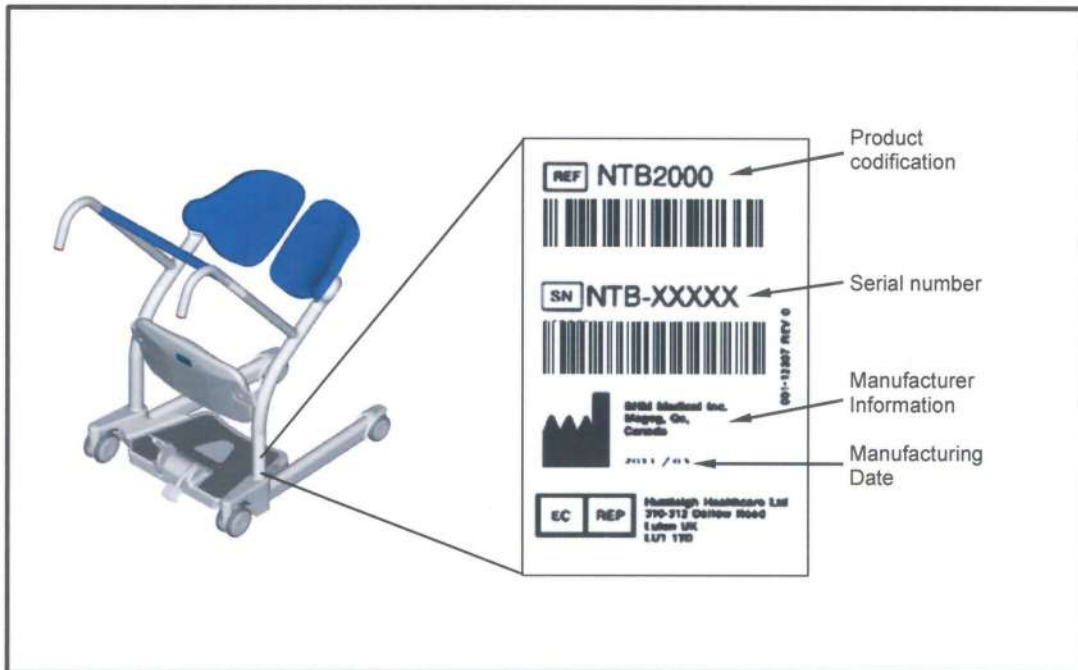
Before contacting the ArjoHuntleigh Parts Sales department, always have the following information at hand:

- Correct name of the product (see Product Identification Label below).
- The serial number of the product (see Product Identification Label below).

Serial Number Codification

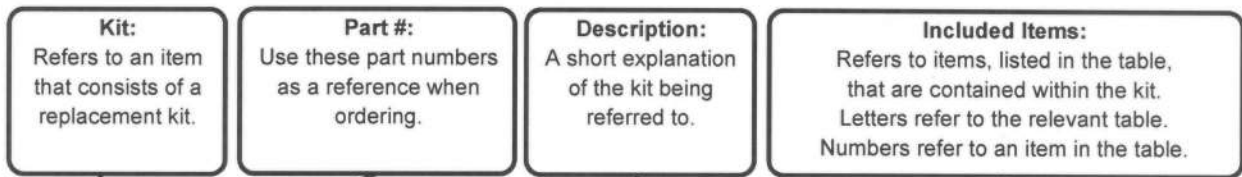


Product Identification Label



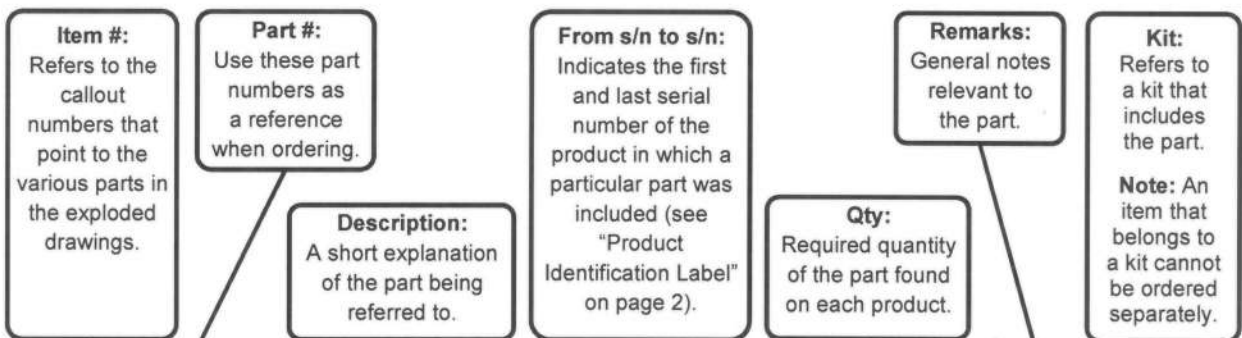
Modifications made to the equipment without ArjoHuntleigh's express acknowledgement will invalidate supplier's product liability.

How to Read Parts List Tables



A **REPLACEMENT KITS TABLE**

Item	Part #	Description	Included Items
K1	700-00001	FIRST REPLACEMENT KIT	B2
K2	700-00002	SECOND REPLACEMENT KIT	B6-B7
K3	700-00003	THIRD REPLACEMENT KIT	B1, B3-B4
K5	700-00004	FOURTH REPLACEMENT KIT	B5

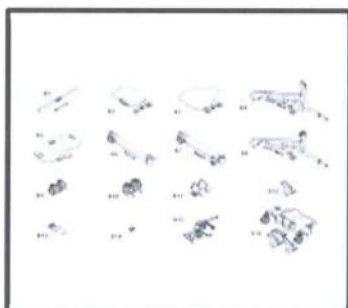


B **PARTS DETAIL TABLE**

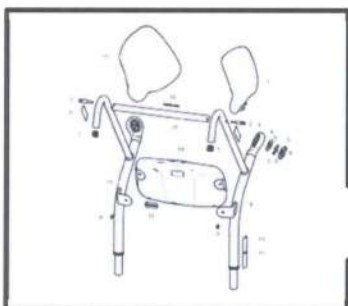
Item	Part #	Description	From s/n	To s/n	Qty	Remarks	Kit
1	001-00001	FIRST PART			2		K3
2	001-00002	SECOND PART			2		K1
3	001-00003	THIRD PART			2		K3
4	001-00004	FOURTH PART			1		K3
5	001-00005	FIFTH PART			2		K4
6	001-00006	SIXTH PART			8		K2
7	001-00007	SEVENTH PART			2		K2

Content

Part Designation.....	5
A – Replacement Kits.....	5
B - Chassis.....	6
C – Base Assembly.....	8



A – Replacement Kits, page 5



B - Chassis, page 6



C – Base Assembly, page 8



Parts Designations

A – Replacement Kits

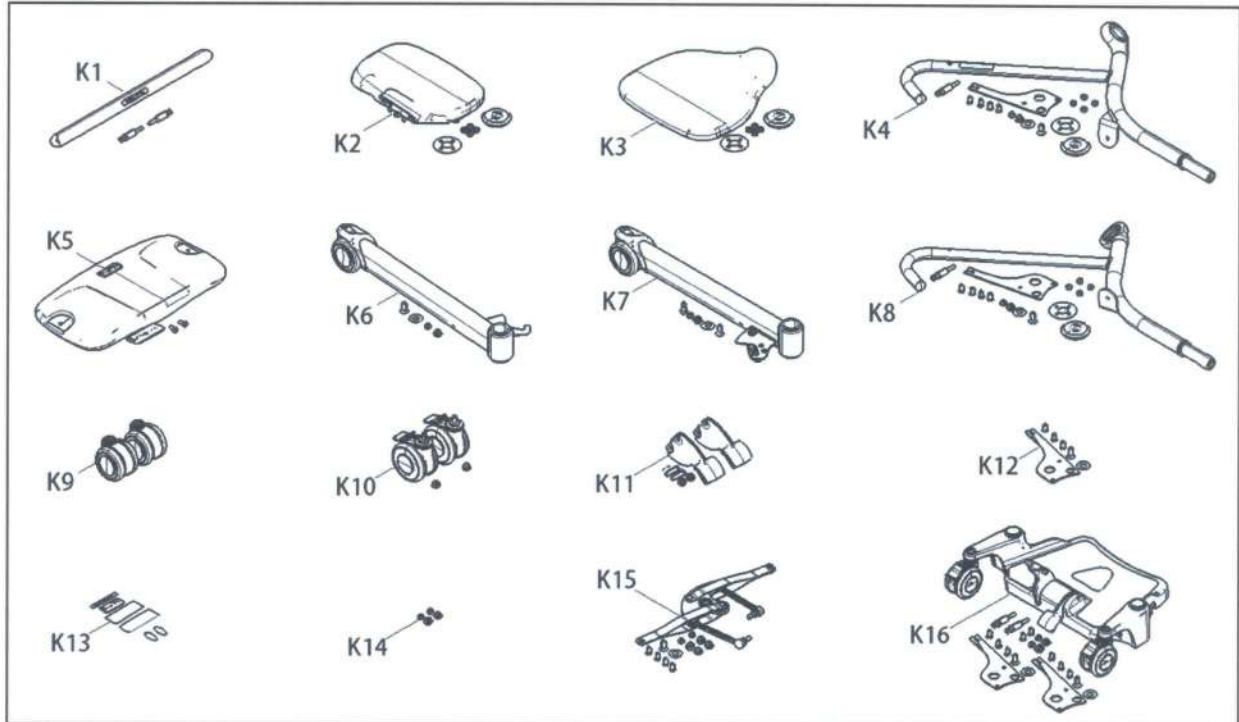
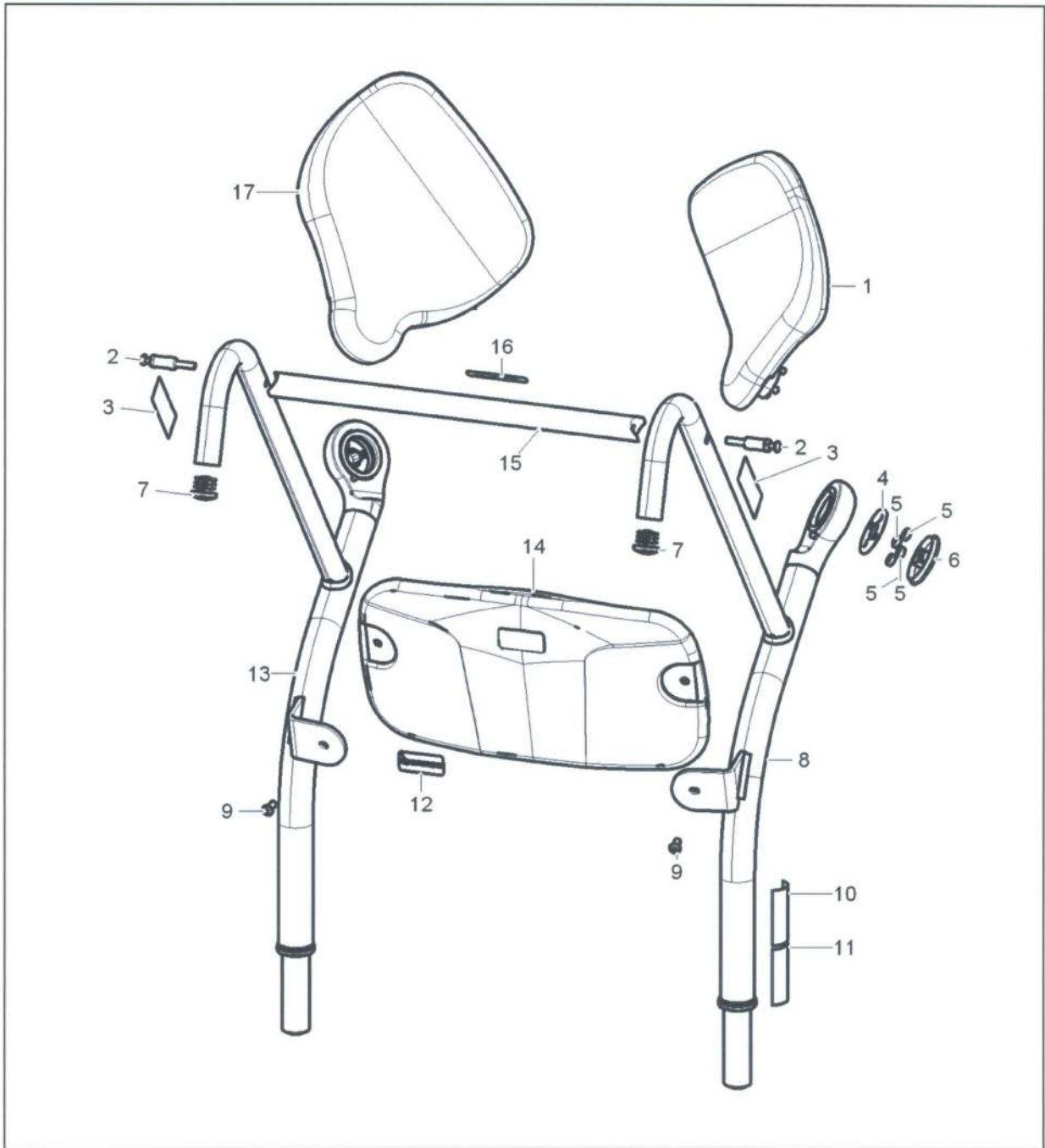


Figure 1

A		REPLACEMENT KITS	
Item	Part #	Description	Included Items
K1	700-12353	HANDLE BAR REPLACEMENT KIT	B2, B15-B16
K2	700-12371	LEFT SEAT REPLACEMENT KIT	B4-B6, B17
K3	700-12370	RIGHT SEAT REPLACEMENT KIT	B1, B4-B6
K4	700-12347	RIGHT HANDLE REPLACEMENT KIT	B2-B9, C12-C15, C17-C18
K5	700-12343	KNEEPAD REPLACEMENT KIT	B9, B12, B14
K6	700-12389	LEFT LEG REPLACEMENT KIT	C12-C16, C19-C20
K7	700-12330	RIGHT LEG REPLACEMENT KIT	C12-C15, C19-C25
K8	700-12348	LEFT HANDLE REPLACEMENT KIT	B2-B7, B9, B13, C12-C15, C17-C18
K9	700-00089	FRONT CASTOR REPLACEMENT KIT	C19
K10	700-00087	REAR CASTOR REPLACEMENT KIT	C4-C5
K11	700-12333	PEDAL REPLACEMENT KIT	C4, C6-C8
K12	700-12327	UNION PLATE REPLACEMENT KIT	C12-C13, C17-C18
K13	700-12324	SARA STEDY LABEL REPLACEMENT KIT	B3, B12, B16, C20
K14	700-12384	ADJUSTMENT CAM REPLACEMENT KIT	C14-C15
K15	700-12395	LEG OPENNING MECHANISM REPLACEMENT KIT	C4, C9-C15, C18
K16	700-12325	BASE REPLACEMENT KIT	B2, B9, C1-C15, C17-C18

Parts Designations

B - Chassis



2Figure 2

Parts Designations

B		CHASSIS					
Item	Part #	Description	From s/n	To s/n	Qty	Remarks	Kit
1		SEAT CUSHION ASSY, SARA STEDY, RIGHT			1		K3
2		LIFT KNOB			2		
3		LABEL, CLIP INSTRUCTION, VERTICAL			2		
4		SEAT RING			2		K2, K3
5		NUT M8 ZINC AHESIVE			8		
6	200-12360	SEAT CAP			2		
7	200-12397	TUBE PLUG 31.75MM			2		
8		HANDLE, SARA STEDY, RIGHT			1		K4
9		SCREW M8 X 16 BUTTON ZINC ADHESIVE			2		
10		SARA STEDY SWL LABEL			1	NOT REPLACEABLE	
11		SARA STEDY CSA STICKER			1	NOT REPLACEABLE	
12		LABEL ARJOHUNTLEIGH (L) 62X27.5			1		
13		HANDLE, SARA STEDY, LEFT			1		K8
14		KNEEPAD CUSHION ASSY, SARA STEDY			1		K5
15		CROSS BAR, SARA STEDY			1		K1
16		STICKER, SARA STEDY			1		K13
17		SEAT CUSHION ASSY, SARA STEDY, LEFT			1		K2

Parts Designations

C – Base Assembly

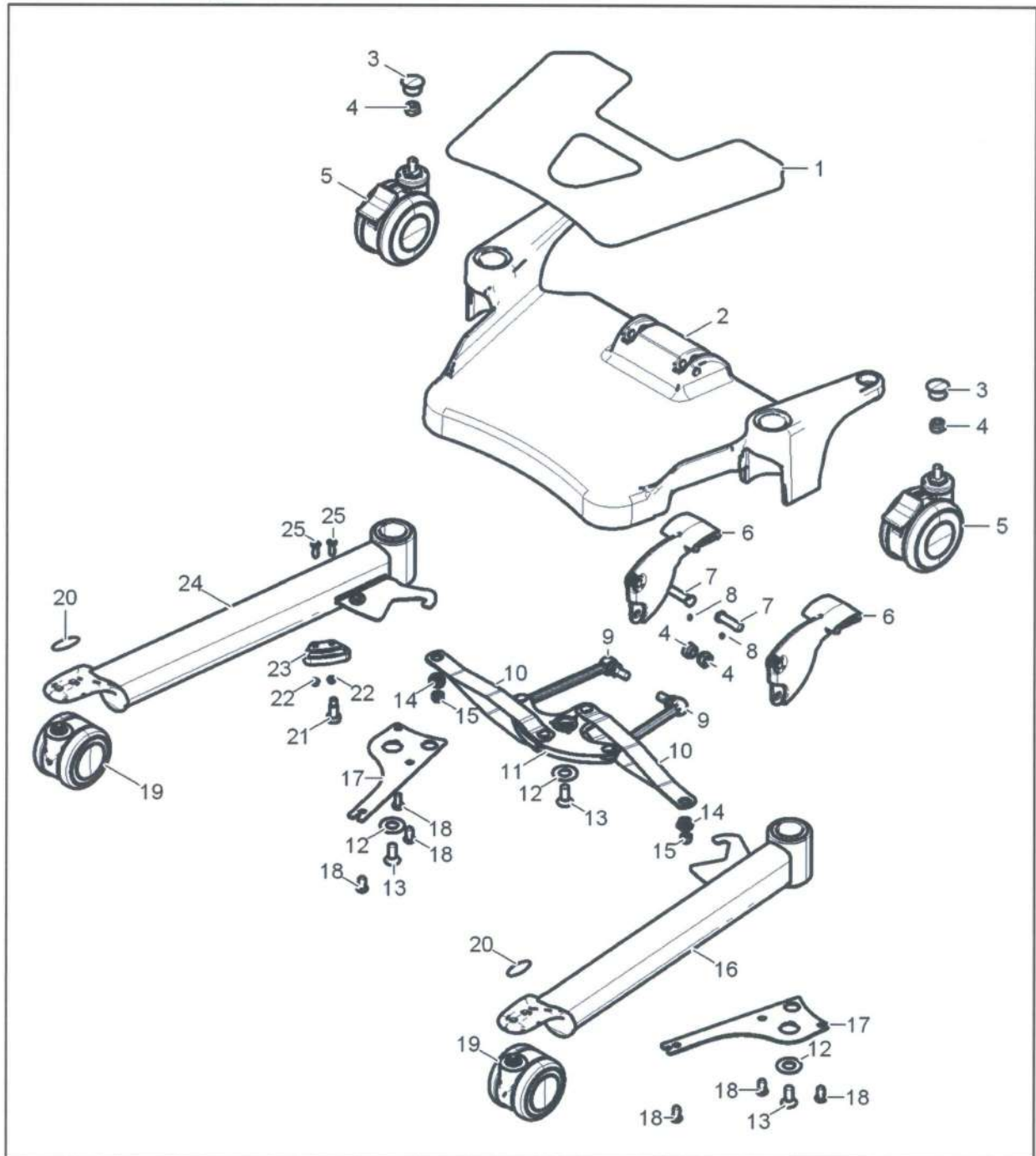


Figure 3

001-12337-EN rev. 0

Parts Designations

C							
BASE ASSEMBLY							
Item	Part #	Description	From s/n	To s/n	Qty	Remarks	Kit
1	700-12326	CARPET, SARA STEDY			1		
2		BASE, SARA STEDY			1		K16
3	200-12329	CAP PLASTIC M10 BOLT			2		
4		LOCKNUT M10 ZINC			4		
5		WHEEL, Ø100mm, TOTAL LOCK, LT GREY			2		K10
6		PEDAL			2		K11
7		PEDAL AXIS			2		K11
8		SETSCREW M6 X 16 CONE POINT SS			1		
9	200-12312	DOUBLE JOINT ASSEMBLY			2		K15
10		LINK TO LEG ASSY			2		K15
11		LEG MOVEMENT MAIN PLATE			2		K15
12		FLAT WASHER W/COUNTER SINK M10			3		K12
13		SCREW M10 X 25 ZP FLAT ADHESIVE			3		
14	4	ADJUSTMENT CAM			2		K14
15	000.03800	LOCKNUT M8 ZINC			2		
16		LEG ASSY, SARA STEDY, LEFT			1		K6
17	203-12327	UNION PLATE			2		K12
18		SCREW M8 X 16 BUTTON ZINC ADHESIVE			8		
19		WHEEL, Ø86mm, SWIVEL, LT GREY			2		K9
20	001-12302	STICKER, LEG CASTOR TIP			2		K13
21	200-12395	PIN LEG PIVOT LOCK			1		K7
22		LOCKNUT M5 ZINC			2		
23	200-12394	LOCK, LEG PIVOT			1		K7
24		LEG ASSY, SARA STEDY, RIGHT			1		K7
25		SCREW M5 X 20 FLAT SS			2		

ARJOHUNTLEIGH

GETINGE GROUP

GETINGE GROUP is a leading global provider of products and systems that contribute to quality enhancement and cost efficiency within healthcare and life sciences. We operate under the three brands of **ArjoHuntleigh**, **GETINGE** and **MAQUET**. **ArjoHuntleigh** focuses on patient mobility and wound management solutions. **GETINGE** provides solutions for infection control within healthcare and contamination prevention within life sciences. **MAQUET** specializes in solutions, therapies and products for surgical interventions and intensive care.

® and ™ are trademarks belonging to the ArjoHuntleigh group of companies.
© BHM Medical Inc. 2011

As our policy is one of continuous development we reserve the right to modify designs and specifications without prior notice.

www.ArjoHuntleigh.com



BHM Medical Inc.
2001 Tanguay
Magog (Quebec) J1X 5Y5
CANADA
Phone: +1 819-868-0441
E-mail: info@bhm-medical.com