

Item Price - £1570.00	Order no.:  -----
-----------------------	-------------------------

## Avantgarde CLT Active wheelchair

Article number: 480F64=10000\_K



<input type="checkbox"/> Provide estimate only	<input type="checkbox"/> Order	
Billing address/customer number		
Delivery address		
Sales person	Name	
	..... Date      Signature	
By placing the order, you agree to comply with the instructions for use/service manuals for accessories and products of other manufacturers when combining them with an Ottobock product, in addition to the instructions for use/service manuals of the respective Ottobock products. Also you confirm to have read, understood and accepted, our general terms and conditions. In addition, you agree, upon placing an order, to conduct your own conformity assessment or approval in accordance with national requirements if and when you implement modifications or attachments that do not meet the specifications of Ottobock instructions for use/service manuals.		

### Standard equipment

- Aluminium tube frame with double cross brace
- Choice of frame offsets
- Single-panel aluminium leg support
- Adaptable back upholstery
- Carbon or aluminium side panels
- Fixed leg support holders
- Different rear wheel position settings are possible
- Rear wheels with quick-release axles
- Knee lever wheel lock
- Calf strap

Folding, max. user weight 100 kg/220 lbs

Model			
	<input type="checkbox"/>	CLT, different settings are possible	£1570.00
MA 07	<input type="checkbox"/>	CLT, fix welded	£1780.00

Seat measurements in cm*										
Seat width SW	<input type="checkbox"/> 32	<input type="checkbox"/> 34	<input type="checkbox"/> 36	<input type="checkbox"/> 38	<input type="checkbox"/> 40	<input type="checkbox"/> 42	<input type="checkbox"/> 44	<input type="checkbox"/> 46	<input type="checkbox"/> 48	<input type="checkbox"/> 50
Seat depth SD	<input type="checkbox"/> 36	<input type="checkbox"/> 38	<input type="checkbox"/> 40	<input type="checkbox"/> 42	<input type="checkbox"/> 44	<input type="checkbox"/> 46	<input type="checkbox"/> 48	<input type="checkbox"/> 50	<input type="checkbox"/> 52	

Anterior seat height in cm*										
<input type="checkbox"/> 39	<input type="checkbox"/> 40	<input type="checkbox"/> 41	<input type="checkbox"/> 42	<input type="checkbox"/> 43	<input type="checkbox"/> 44	<input type="checkbox"/> 45	<input type="checkbox"/> 46	<input type="checkbox"/> 47		
<input type="checkbox"/> 48	<input type="checkbox"/> 49	<input type="checkbox"/> 50	<input type="checkbox"/> 51	<input type="checkbox"/> 52	<input type="checkbox"/> 53	<input type="checkbox"/> 54	<input type="checkbox"/> 55			

\* see wheelchair measurements on the next page

The number codes contained in this order form are not intended to be used as article numbers for spare parts orders.  
Please use the spare parts catalogue for spare parts orders.

Information

Anterior seat height	Caster wheels																						
	4"				5"				5.5"				6"				7"						
													Pneum. tyres/ solid rubber				Soft casters						
	Fork length																						
short		long		short		long		short		long		short		long		short		long		short		long	
S	F	S	F	S	F	S	F	S	F	S	F	S	F	S	F	S	F	S	F	S	F	S	F
39.0	A					A																	
40.0	A					A																	
41.0	A	A				A																	
42.0		A				A																	
43.0		A		A		A					A												
44.0						A									A								
45.0	A		A						A						A								A
46.0									A														A
47.0																							A
48.0		A																			A		
49.0		A																					
50.0		A	A	A				A															
51.0			A	A		A	A					A			A								
52.0			A	A				A	A			A			A								
53.0								A	A			A			A			A					A
54.0												A			A								A
55.0																					A		A

Caster axle: **S** = threaded axle **F** = Froglegs

A – An adapter is installed in order to achieve this anterior seat height

The values indicated are rounded values which have been theoretically determined. Max. deviation of 1 cm. The anterior seat height depends on the selected wheel size, caster fork and mounting position. Please refer to the seat height table!

Specified without seat cushion at 0° seat inclination.

Horizontal position of the rear wheel attachment device: see sketch.

The posterior seat height (PSH) depends on the selected wheel size and mounting position in the rear wheel attachment device. Please refer to the seat height table!



Wheelchair measurements\*

1 Anterior seat height (ASH)  
= ground to top of seat upholstery

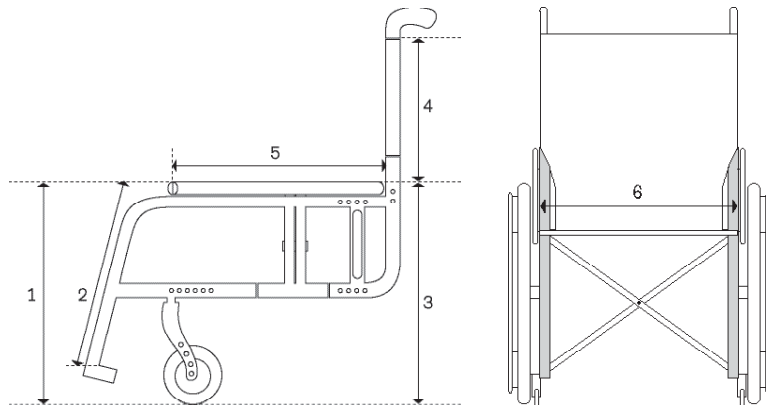
2 Lower leg length (LL)  
= top of seat upholstery to top of footplate  
(without seat cushion)

3 Posterior seat height (PSH)  
= ground to top of seat upholstery

4 Back height (BH)  
= top of seat tube (crossbrace) to top of back upholstery

5 Seat depth (SD)  
= front of seat upholstery to back tube

6 Seat width (SW)  
= outside edge of frame tube to outside edge of frame tube



\* This information will help to support user-oriented settings and product development. Ottobock guarantees the confidential and purely internal use of these data. A manufacturing tolerance of 10 mm applies to all measurements.

Front frame type			
MA 01	<input type="checkbox"/>	70°	Inclusive
MA 02	<input type="checkbox"/>	70°, 2 cm offset (from SW 34 cm)	Inclusive
MA 03	<input type="checkbox"/>	80°	Inclusive
MA 04	<input type="checkbox"/>	80°, 2 cm offset (from SW 34 cm)	Inclusive
MA 05	<input type="checkbox"/>	90°, without leg support	Inclusive

Frame accessories (for CLT with different setting possibilities)			
MA 50	<input type="checkbox"/>	Transport wheels	£147.00
MA 51	<input type="checkbox"/>	Tip-assist, right	£41.00
MA 52	<input type="checkbox"/>	Tip-assist, left	£41.00
MA 55	<input type="checkbox"/>	Anti-tipper, right	£86.00
MA 56	<input type="checkbox"/>	Anti-tipper, left	£86.00
MA 57	<input type="checkbox"/>	Crutch holder with tip-assist, right	£47.00
MA 58	<input type="checkbox"/>	Crutch holder with tip-assist, left	£47.00

Caster wheels		(dimensions in mm)	
MF 02	<input type="checkbox"/>	4" solid rubber, grey	(100 × 32) Inclusive
MF 21	<input type="checkbox"/>	4" luminous caster	(100 × 24) £41.00
MF 35	<input type="checkbox"/>	4" soft caster, aluminium	(100 × 38) £112.00
MF 03	<input type="checkbox"/>	5" solid rubber, grey	(125 × 32) Inclusive
MF 36	<input type="checkbox"/>	5" soft caster, aluminium	(125 × 38) £112.00
MF 04	<input type="checkbox"/>	5.5" soft caster, grey	(140 × 40) Inclusive
MF 05	<input type="checkbox"/>	6" pneumatic, grey	(150 × 30) Inclusive
MF 06	<input type="checkbox"/>	6" solid rubber, grey	(155 × 33) Inclusive
MF 37	<input type="checkbox"/>	6" soft caster, aluminium	(150 × 38) £112.00
MF 07	<input type="checkbox"/>	7" pneumatic, grey	(180 × 45) (long caster fork) Inclusive
MF 08	<input type="checkbox"/>	7" solid rubber, grey	(175 × 40) (long caster fork) Inclusive

Caster fork			
MF 80	<input type="checkbox"/>	Caster fork, long	Inclusive
MF 81	<input type="checkbox"/>	Caster fork, short	Inclusive

Caster axle			
MF 90	<input type="checkbox"/>	Caster forks with threaded axles	Inclusive
MX 30	<input type="checkbox"/>	Froglegs, suspension caster forks	£288.00

Posterior seat height in cm								
<input type="checkbox"/> 36	<input type="checkbox"/> 37	<input type="checkbox"/> 38	<input type="checkbox"/> 39	<input type="checkbox"/> 40	<input type="checkbox"/> 41	<input type="checkbox"/> 42	<input type="checkbox"/> 43	
<input type="checkbox"/> 44	<input type="checkbox"/> 45	<input type="checkbox"/> 46	<input type="checkbox"/> 47	<input type="checkbox"/> 48	<input type="checkbox"/> 49	<input type="checkbox"/> 50	<input type="checkbox"/> 51	

Rear wheel size			
MG 01	<input type="checkbox"/>	22"	Inclusive
MG 02	<input type="checkbox"/>	24"	Inclusive
MG 00	<input type="checkbox"/>	25"	Inclusive

Rear wheel camber				
Model with different setting possibilities:	<input type="checkbox"/> 0°	<input type="checkbox"/> 2°	<input type="checkbox"/> 3°	<input type="checkbox"/> 4°
Fix welded model:	<input type="checkbox"/> 0°	<input type="checkbox"/> 2.5°		

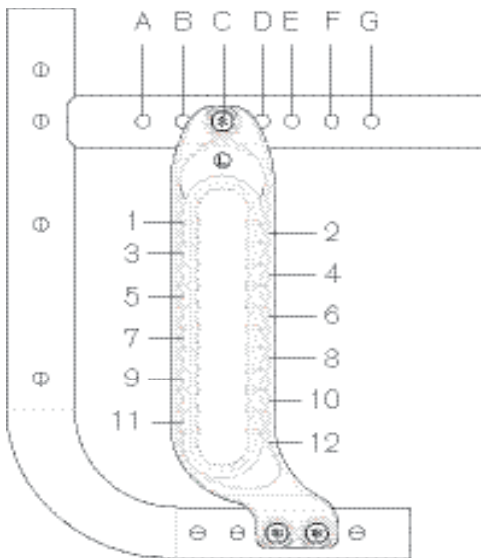
Information

Seat height table  
Posterior seat height in cm  
(for CLT with different setting possibilities)

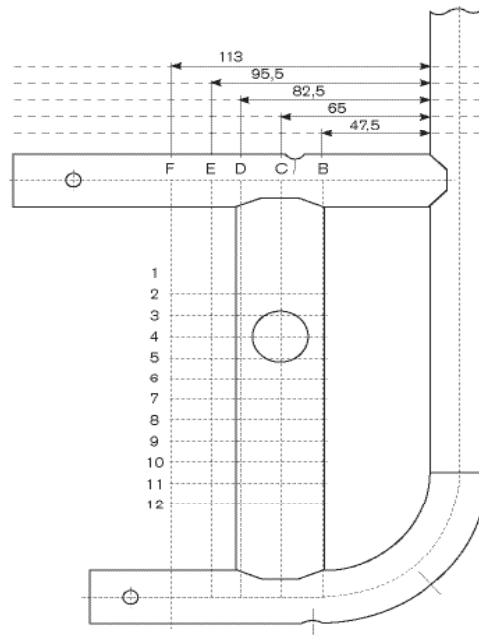
Rear wheel size	Setting range
22"	36 – 47
24"	38 – 49
25"	40 – 51

Seat height table  
Posterior seat height in cm  
(for fix welded CLT)

Free mounting positions	Rear wheel size		
	22"	24"	25"
1	36	38	40
2	37	39	41
3	38	40	42
4	39	41	43
5	40	42	44
6	41	43	45
7	42	44	46
8	43	45	47
9	44	46	48
10	45	47	49
11	46	48	50
12	47	49	51



From position E, the rear wheel adapter must be turned around – right side to the left side and left side to the right side.



To be able to make use of the entire seat height range, a caster wheel adapter is installed at the factory, if necessary, according to the desired (anterior) seat height.

Note: All values are theoretically determined values at 0° seat inclination.

**Horizontal rear wheel position**
 A\*    B    C    D    E    F    G\*

\*Positions A and G are only available on the CLT with different setting possibilities

Rear wheel rim		22"	24"	25"	
MG 06	<input type="checkbox"/> Hollow rims	•	•	•	Inclusive
MG 10	<input type="checkbox"/> Spinergy SPOX		•	•	£391.00
MG 11	<input type="checkbox"/> Spinergy LX	•	•	•	£571.00
MG 15	<input type="checkbox"/> Infinity Ultralight (not available in combination with PU tyres)	•	•	•	Inclusive

Tyres		22"	24"	25"	
MG 31	<input type="checkbox"/> Schwalbe RightRun, fine tread, 1"	•	•	•	Inclusive
MG 32	<input type="checkbox"/> Schwalbe HS 288, coarse tread, 1"	•	•		Inclusive
MG 33	<input type="checkbox"/> Schwalbe DownTown, asymmetrical tread, 1", black		•		Inclusive
MG 37	<input type="checkbox"/> Schwalbe Marathon Plus Evolution, 1", puncture-proof	•	•	•	£28.00

Push rings		22"	24"	25"	
MG 50	<input type="checkbox"/> Aluminium, black coated	•	•	•	Inclusive
MG 52	<input type="checkbox"/> Aluminium, silver anodised, high	•	•	•	£8.00
MG 53	<input type="checkbox"/> Aluminium, silver anodised, low	•	•		£8.00
MG 54	<input type="checkbox"/> Aluminium, rubber-coated	•	•	•	£89.00
MG 56	<input type="checkbox"/> Stainless steel, polished, high	•	•	•	£41.00
MG 57	<input type="checkbox"/> Stainless steel, polished, low	•	•		£40.00
MG 58	<input type="checkbox"/> Titanium, polished	•	•	•	£280.00
MG 61	<input type="checkbox"/> The Surge		•	•	£213.00
MG 62	<input type="checkbox"/> MaxGrepp Original	•	•	•	£243.00
MG 63	<input type="checkbox"/> Curve L (anodised)		•	•	£279.00
MG 64	<input type="checkbox"/> Curve L Grip		•	•	£302.00
MX 27	<input type="checkbox"/> Natural fit, regular grip (wide mounting position only)		•	•	£160.00

Mounting			
MG 70	<input type="checkbox"/> Narrow		Inclusive
MG 71	<input type="checkbox"/> Wide		Inclusive

Wheelbase extension including wheel lock adapter			
MG 86	<input type="checkbox"/> Version only for long wheelbase		£135.00
MG 82	<input type="checkbox"/> Version with second axle		£192.00
MG 46	<input type="checkbox"/> Without		Inclusive

Quick-release axle system			
MG 27	<input type="checkbox"/> Quick-release axle		Inclusive
MG 28	<input type="checkbox"/> Quick-release axle with Tetra release		£94.00

Rear wheel accessories			
MG 84	<input type="checkbox"/> Silicone push ring cover 24"		£57.00
MG 87	<input type="checkbox"/> High-pressure air pump, 14 bar		£113.00
MG 88	<input type="checkbox"/> Airman pump, battery-operated		£92.00

Seat height table

Posterior seat height in cm with wheelbase extension

Axle position	Rear wheel size		
	22"	24"	25"
1	37	39	40
2	40	42	42
3	42	44	45
4	46	46	48
5	47	49	50

Seat height table

Posterior seat height in cm with shock absorber system

Axle position	Rear wheel size		
	22"	24"	25"
1	40	42	43
2	42	44	45
3	44	46	47
4	46	48	49
5	48	50	51

Shock absorber (for CLT with different setting possibilities)			
MG 97	<input type="checkbox"/>	Damping "soft" (up to 60 kg)	£280.00
MG 98	<input type="checkbox"/>	Damping "medium" (61 kg – 100 kg)	£280.00
Wheel locks			
MH 01	<input type="checkbox"/>	Knee lever wheel lock, long lever	Inclusive
MH 02	<input type="checkbox"/>	Knee lever wheel lock, short lever	Inclusive
MH 05	<input type="checkbox"/>	OutFront scissor wheel lock	£223.00
MH 13	<input type="checkbox"/>	Knee lever wheel lock, reinforced, long lever	£262.00
MH 15	<input type="checkbox"/>	Knee lever wheel lock, reinforced, short lever	£262.00
MH 21	<input type="checkbox"/>	Knee lever wheel lock, long lever, folding	Inclusive
MH 22	<input type="checkbox"/>	Knee lever wheel lock, short lever, folding	Inclusive
Wheel lock accessories			
MH 10	<input type="checkbox"/>	Wheel lock lever extension for knee lever wheel lock	£20.00
Back height in cm (see wheelchair measurements on page 2)			
<input type="checkbox"/> 25 <input type="checkbox"/> 27.5 <input type="checkbox"/> 30 <input type="checkbox"/> 32.5 <input type="checkbox"/> 35 <input type="checkbox"/> 37.5 <input type="checkbox"/> 40 <input type="checkbox"/> 42.5 <input type="checkbox"/> 45 <input type="checkbox"/> 47.5 <input type="checkbox"/> 50			
Back system			
MD 01	<input type="checkbox"/>	Back tubes, height-adjustable, straight	Inclusive
MD 09	<input type="checkbox"/>	Back tubes, height-adjustable, with lumbar curve – for BH 35 cm and up	Inclusive
MD 10	<input type="checkbox"/>	Back angle-adjustable in 6° increments (-15° to +9°) for CLT with different setting possibilities for BH 30 cm and up	£185.00
MD 12	<input type="checkbox"/>	Fixed welded back, angled at top of seat tube for welded CLT <input type="checkbox"/> 0° <input type="checkbox"/> -5° <input type="checkbox"/> -10° <input type="checkbox"/> -15° <input type="checkbox"/> custom (one-off production)	£75.00
Back upholstery			
MD 05	<input type="checkbox"/>	High-frequency welded, adaptable using hook-and-loop straps	Inclusive
MD 03	<input type="checkbox"/>	Sewn, adaptable using hook-and-loop straps	£44.00
MD 06	<input type="checkbox"/>	Without	Inclusive
MD 72	<input type="checkbox"/>	Adaptable, breathable with spacer fabric	£54.00
Push handles for CLT with different setting possibilities			
MD 51	<input type="checkbox"/>	Long	Inclusive
MD 50	<input type="checkbox"/>	Short	Inclusive
MD 52	<input type="checkbox"/>	Telescoping, long	£107.00
MD 53	<input type="checkbox"/>	Telescoping, short	£87.00
MD 55	<input type="checkbox"/>	Height-adjustable/removable	£107.00
MD 56	<input type="checkbox"/>	Fold-down (from BH 30 cm) (also available for fixed welded back)	£86.00
MD 59	<input type="checkbox"/>	Without	Inclusive

Information



MA 55/56 Anti-tipper



MA 51/52 Tip-assist



MA 57/58 Crutch holder



MA 50 Transport wheels



MA 60 Frame pad



MB 03 Single-panel leg support



MB 06 Tube leg support



MB 08 Anti-skid footplate



MB 73 Adjustable lateral heel blocks



MC 15 Seat upholstery with storage compartments



MC 14 Adaptable upholstery



MD 56 Fold-down push handles



MD 52 Telescoping push handles



MD 55 Push handles, height-adjustable/removable



MD 50 Fixed push handles



Side panels			
ME 01	<input type="checkbox"/>	Side panel, fixed, with protection against the cold*	Inclusive
ME 02	<input type="checkbox"/>	Clothing protector, fixed, with protection against the cold*	£55.00
ME 04	<input type="checkbox"/>	Clothing protector, fixed, carbon	Inclusive
ME 05	<input type="checkbox"/>	Side panel with armrest, short* <sup>1)</sup>	£236.00
ME 06	<input type="checkbox"/>	Side panel with armrest, long* <sup>1)</sup>	£236.00
ME 11	<input type="checkbox"/>	Plug-on side panel with armrest	£49.00
*Aluminium side panels			
<sup>1)</sup> Restricts the lowest height setting of the push handles when combined with height-adjustable, removable push handles (MD 55).			

Side panel accessories			
ME 50	<input type="checkbox"/>	Armrest, padded, height-adjustable, swing-away <sup>1)</sup> <input type="checkbox"/> short <input type="checkbox"/> long	£213.00
ME 60	<input type="checkbox"/>	Tray	£192.00
<sup>1)</sup> Restricts the lowest height setting of the push handles when combined with height-adjustable, removable push handles (MD 55).			

Seat upholstery			
MC 13	<input type="checkbox"/>	Nylon upholstery, two-piece	Inclusive
MC 14	<input type="checkbox"/>	Nylon upholstery, adaptable	£74.00
MC 15	<input type="checkbox"/>	Seat upholstery with storage compartments	£29.00
MC 06	<input type="checkbox"/>	Without	Inclusive

Seat cushions			
MC 01	<input type="checkbox"/>	Seat cushion, standard <input type="checkbox"/> 3 cm <input type="checkbox"/> 5 cm	£71.00
MC 02	<input type="checkbox"/>	Cubic Foam seat cushion (thickness 5 cm)	£76.00
MC 05	<input type="checkbox"/>	Evolight seat cushion (thickness 6 cm)	£143.00
MC 09	<input type="checkbox"/>	Contour Gel cushion (wedge shape)	£170.00
MC 20	<input type="checkbox"/>	Terra seat cushion (thickness 10 cm)	£149.00
MC 21	<input type="checkbox"/>	Terra Aquos seat cushion (thickness 10 cm)	£168.00
MC 22	<input type="checkbox"/>	Terra Flair seat cushion (thickness 10 cm)	£310.00
MC 23	<input type="checkbox"/>	Cloud cushion (thickness 10 cm)	£416.00
MC 24	<input type="checkbox"/>	Advantage cushion (thickness 10 cm)	£403.00
MC 25	<input type="checkbox"/>	Z-Flo cushion (thickness 7 cm)	£171.00

Lower leg length in cm (without seat cushion) (see wheelchair measurements on page 2)	
Lower leg length (LL) in cm ..... (available setting range 16 – 51 cm)	

Leg support bar options			
MB 40	<input type="checkbox"/>	Short (LL 32 cm – 40 cm)	Inclusive
MB 41	<input type="checkbox"/>	Medium (LL 41 cm – 50 cm)	Inclusive
MB 42	<input type="checkbox"/>	Long (LL > 47 cm)	Inclusive

Information



ME 02 Clothing protector



ME 01 Standard side panels



ME 06 Side panels with armrest



ME 50 Padded armrests



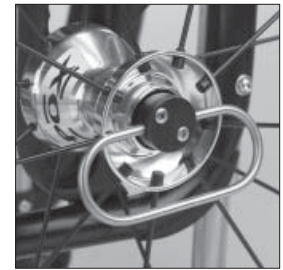
MX 30 Froglegs suspension fork



MH 01 Knee lever wheel lock, folding



MH 10 Wheel lock lever extension



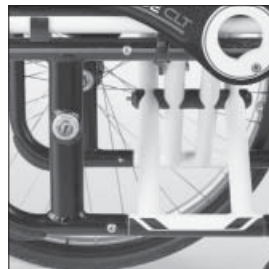
MG 28 Tetra release



MG 86 Wheelbase extension



MG 97-99 Shock absorber



Fixed welded version

Leg supports		
MB 01	<input type="checkbox"/>	Single-panel leg support, angle-adjustable, 12.5 cm deep (for LL 32 cm and up) <span style="float: right;">Inclusive</span>
MB 07	<input type="checkbox"/>	Single-panel leg support, angle-adjustable, 12.5 cm deep, anti-slip (for LL 32 cm and up) <span style="float: right;">£35.00</span>
MB 03	<input type="checkbox"/>	Single-panel leg support, angle-adjustable, 16 cm deep (for LL 32 cm and up) <span style="float: right;">£41.00</span>
MB 08	<input type="checkbox"/>	Single-panel leg support, angle-adjustable, 16 cm deep, anti-slip (for LL 32 cm and up) <span style="float: right;">£65.00</span>
MB 06	<input type="checkbox"/>	Leg support, angle-adjustable (for lower leg lengths from 32 cm) <span style="float: right;">£45.00</span>
MB 20	<input type="checkbox"/>	Single-panel leg support for short lower leg length (16 – 31 cm) <span style="float: right;">£93.00</span>
MB 99	<input type="checkbox"/>	Without <span style="float: right;">Inclusive</span>

Leg support accessories		
MB 70	<input type="checkbox"/>	Locking device for single-panel leg support <span style="float: right;">£67.00</span>
MB 73	<input type="checkbox"/>	Adjustable lateral heel blocks <span style="float: right;">£47.00</span>
MB 74	<input type="checkbox"/>	Plastic plate for tube leg support <span style="float: right;">£48.00</span>

Other accessories		
MZ 51	<input type="checkbox"/>	Lap belt with metal buckle <span style="float: right;">£52.00</span>
MZ 52	<input type="checkbox"/>	Tool kit <span style="float: right;">£32.00</span>
MZ 59	<input type="checkbox"/>	Pocket for mobile phone <span style="float: right;">£16.00</span>

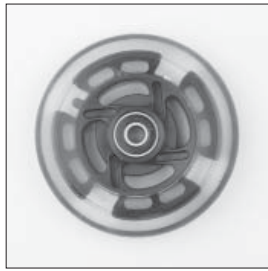
Please also use the order forms for wheelchair accessories 647F312 and 647F346.

Spoke protectors		
MG 90	<input type="checkbox"/>	Spoke protector, transparent <span style="float: right;">£96.00</span>
MG 100	<input type="checkbox"/>	Spoke protector, Graphic decor <span style="float: right;">£165.00</span>
MG 101	<input type="checkbox"/>	Spoke protector, Miracle decor <span style="float: right;">£165.00</span>
MG 102	<input type="checkbox"/>	Spoke protector, Network decor <span style="float: right;">£165.00</span>
MG 103	<input type="checkbox"/>	Spoke protector, Robots decor <span style="float: right;">£165.00</span>
MG 104	<input type="checkbox"/>	Spoke protector, Spectrum decor <span style="float: right;">£165.00</span>

Information



MF 02 4" solid rubber  
caster



MF 21 4" luminous caster



MF 35 4" soft caster



MF 03 5" solid rubber  
caster



MF 36 5" soft caster



MF 04 5.5" soft caster



MF 06 6" solid rubber  
caster



MF 05 6" pneumatic  
caster



MF 37 6" soft caster



MF 08 7" solid rubber  
caster



MF 07 7" pneumatic  
caster



MG 10 Spinerigy SPOX



MG 06 Hollow rim



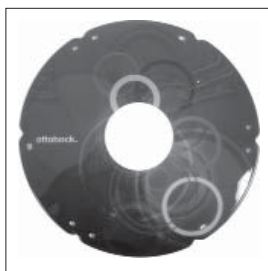
MG 15 Infinity Ultralight



MG 11 Spinerigy LX



MG 100 Graphic



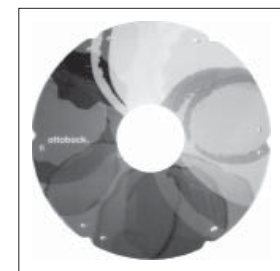
MG 101 Miracle



MG 102 Network



MG 103 Robots



MG 104 Spectrum

Frame colours			
001	<input type="checkbox"/>	Brilliant silver	Inclusive
002	<input type="checkbox"/>	Anthracite metallic	Inclusive
003	<input type="checkbox"/>	Jet black RAL 9005	Inclusive
004	<input type="checkbox"/>	Ice blue	Inclusive
005	<input type="checkbox"/>	Sparkle light orange	Inclusive
009	<input type="checkbox"/>	Vinho sparkle	Inclusive
010	<input type="checkbox"/>	Marine blue	Inclusive
012	<input type="checkbox"/>	Sky blue	Inclusive
013	<input type="checkbox"/>	Jet black RAL 9005 matte	Inclusive
014	<input type="checkbox"/>	Candy red	Inclusive
021	<input type="checkbox"/>	Sparkle granny smith	Inclusive
023	<input type="checkbox"/>	White RAL 9016	Inclusive
027	<input type="checkbox"/>	Shimano matte	Inclusive
032	<input type="checkbox"/>	Pure metal blue	£308.00
033	<input type="checkbox"/>	Pure metal green	£308.00
034	<input type="checkbox"/>	Pure metal bronze	£308.00
035	<input type="checkbox"/>	Pure metal red	£308.00

Special accessories			
MA 60	<input type="checkbox"/>	Frame pad <input type="checkbox"/> long <input type="checkbox"/> short	£41.00
MZ 40	<input type="checkbox"/>	Track adjustment tool	£24.00
MZ 58	<input type="checkbox"/>	Bag for rear wheels	£79.00
MZ 65	<input type="checkbox"/>	User-activated lighting	£24.00
MZ 89	<input type="checkbox"/>	Protection for quick-release-axle	£4.00
MZ 93	<input type="checkbox"/>	Wheelchair backpack	£36.00
MZ 92	<input type="checkbox"/>	Wheel blades (mini-skier for caster wheels)	£320.00

Special accessories			
24817.001	<input type="checkbox"/>	Special colour two-layer coating	POA
24817.000	<input type="checkbox"/>	Special colour single-layer coating	POA
40244.000	<input type="checkbox"/>	Fold-down push handles for BH 25 cm, 27.5 cm	POA

Once printed this document is an uncontrolled version. Always check the download centre on our website ensure you have the most up to date version of this document.