

JAY[®]

ZIP BACK

JAY[®] ZIP[™] Back

Important Consumer Information

NOTE: This manual contains important instructions that must be passed on to the user of this product. Please do not remove this manual before delivery to the end user.

SUPPLIER: This manual must be given to the user of this product.

USER: Before using this product, read this entire manual and save for future reference.

WARRANTY REGISTRATION: To validate the warranty on this product, please complete and return the postcard attached to the enclosed instruction and warranty booklet.

Owner's Manual

JAY[®] ZIP[™] Rücken

Wichtige Informationen für den Benutzer

HINWEIS: Dieses Handbuch enthält wichtige Informationen, die an den Benutzer dieses Produkts weitergeleitet werden müssen. Bitte entfernen Sie dieses Handbuch vor der Auslieferung an den Endbenutzer nicht.

FACHHÄNDLER: Dieses Handbuch muss dem Benutzer des Produkts ausgehändigt werden.

BENUTZER: Vor dem Gebrauch des Rollstuhls lesen Sie bitte das gesamte Handbuch, und bewahren Sie es für zukünftigen Bedarf auf.

GARANTIEREGISTRIERUNG: Damit die Garantie für dieses Produkt gültig wird, füllen Sie bitte die Postkarte im beigefügten Anleitungs- und Garantieheft aus und senden Sie sie an uns zurück.

Gebrauchsanweisung

JAY[®] ZIP[™] Rugleuning

Belangrijke informatie voor consumenten

OPMERKING: Deze gebruikershandleiding bevat belangrijke instructies die aan de gebruiker van dit product moeten worden doorgegeven. Verwijder deze gebruikershandleiding niet voordat het product aan de eindgebruiker is geleverd.

LEVERANCIER: Deze gebruikershandleiding moet aan de gebruiker van dit product worden gegeven.

GEBRUIKER: Lees voordat u het product gebruikt, deze gebruikershandleiding helemaal door. Bewaar de handleiding goed, zodat u hem in de toekomst ook kunt naslaan.

Handleiding



Respaldo JAY[®] ZIP[™]

Información importante para el consumidor

NOTA: Este manual contiene instrucciones importantes que deben ser transmitidas al usuario del producto. No extraiga este manual antes de la entrega al usuario final.

DISTRIBUIDOR: Debe entregar este manual al usuario del producto.

USUARIO: Antes de utilizar este producto, lea atentamente el manual completo.

REGISTRO DE GARANTÍA: Para validar la garantía de este producto, complete y envíe la postal adjunta al manual de instrucciones y cuadernillo con la garantía.

Manual del Usuario

Encosto JAY[®] ZIP[™]

Informação importante para o consumidor

AVISO: Este manual contém instruções importantes que devem ser transmitidas ao utilizador deste produto. Não remova este manual antes de o entregar ao utilizador final.

FORNECEDOR: Este manual deve ser entregue ao utilizador deste produto.

UTILIZADOR: Antes de usar este produto, leia todo o manual e guarde-o para referência futura.

REGISTO DA GARANTIA: Para validar a garantia deste produto, preencha e envie o postal anexado às instruções e livro da garantia incluídos.

Manual do Utilizador

Dossier JAY[®] ZIP[™]

Informations importantes pour l'utilisateur

REMARQUE : ce manuel comporte d'importantes informations à transmettre impérativement à l'utilisateur du produit. Veuillez ne pas retirer ce manuel avant la livraison à l'utilisateur final.

REVENDEUR : Ce manuel doit être remis à l'utilisateur du fauteuil roulant.

UTILISATEUR : Avant d'utiliser ce produit, lisez attentivement ce manuel dans son intégralité et conservez-le pour pouvoir vous y référer ultérieurement.

INSCRIPTION CONCERNANT LA GARANTIE : Afin de valider la garantie de ce produit, veuillez remplir et retourner la carte jointe au mode d'emploi et au livret de garantie.

Manuel de l'utilisateur

Schienale JAY[®] ZIP[™]

Importanti informazioni per l'utente

AVVISO: questo manuale contiene importanti istruzioni che devono essere comunicate all'utente di questo prodotto. Si prega di non rimuovere il manuale prima della consegna all'utente.

RIVENDITORE: questo manuale va consegnato all'utente del prodotto.

UTENTE: prima di usare il prodotto, leggere attentamente tutte le sezioni del manuale e conservarlo per riferimento futuro.

GARANZIA: per la garanzia di questo prodotto, si prega di conservare la prova d'acquisto del prodotto.

Manuale d'uso

JAY[®] ZIP[™] Ryggstöd

Viktig konsumentinformation

OBS: Denna manual innehåller viktiga instruktioner som måste delges användaren av denna produkt. Vänligen avlägsna ej denna manual före leveransen till slutanvändaren.

LEVERANTÖR: Denna manual måste överlämnas till den som ska använda produkten.

ANVÄNDARE: Innan du använder denna produkt, vänligen läs manualen och spara den sedan för framtida behov.

GARANTI REGISTRERING: För att bekräfta garantin för denna produkt, fyll i och skicka det bifogade vykortet som medföljer instruktionen och garantihäftet.

Bruksanvisning

JAY[®] ZIP[™] -rygg

Viktig kundeinformasjon

MERK: Denne bruksanvisningen inneholder viktige instruksjoner som må gis til brukeren av dette produktet. Bruksanvisningen må ikke fjernes før produktet leveres til sluttbrukeren.

LEVERANDØR: Denne bruksanvisningen må gis til brukeren av dette produktet.

BRUKER: Les igjennom hele bruksanvisningen før du bruker dette produktet, og ta vare på den for fremtidig bruk.

REGISTRERING AV GARANTI: For å aktivere garantien for dette produktet, fyll ut og send inn postkortet som er festet til brukerveiledningen og garantiheftet.

Zádová opěrka JAY[®] ZIP[™]

Důležité informace pro zákazníka

UPOZORNĚNÍ: Tato příručka obsahuje informace, které je nutno předat uživateli tohoto výrobku. Neodstraňujte tuto příručku před dodáním vozíku koncovému uživateli.

DODAVATEL: Tuto příručku je nutno dát uživateli tohoto výrobku.

UŽIVATEL: Před použitím tohoto výrobku si přečtěte celou příručku a uložte si ji pro použití v budoucnu.

REGISTRACE ZÁRUKY: Pro potvrzení záruky, prosím, vyplňte a zpět odešlete poštovní lístek připojený k přiloženým pokynům záruční knížky.

Oparcie JAY[®] ZIP[™]

Ważne informacje dla klienta

UWAGA: niniejszy podręcznik zawiera ważne instrukcje, które należy przekazać użytkownikowi produktu. Niniejszego podręcznika nie należy usuwać przed dostarczeniem użytkownikowi końcowemu.

DOSTAWCA: niniejszy podręcznik należy przekazać użytkownikowi produktu.

UŻYTKOWNIK: Przed rozpoczęciem korzystania z produktu należy przeczytać niniejszy podręcznik w całości i zachować go w celu korzystania w przyszłości.

REJESTRACJA GWARANCJI: Aby nadać ważność gwarancji na ten produkt, należy wypełnić i odesłać do nas kartę dołączoną do instrukcji i karty gwarancyjnej.

Opierka JAY[®] ZIP[™]

Dôležité informácie pre zákazníkov

OZNÁMENIE: Tento manuál obsahuje dôležité pokyny, ktoré musia byť podané užívateľovi tohto výrobku. Neodstráňte prosím tento manuál predtým ako bude doručený konečnému užívateľovi.

DODÁVATEĽ: Táto príručka musí byť odovzdaná užívateľovi tohto výrobku.

POUŽÍVATEĽ: Pred použitím výrobku, si prečítajte celú príručku a nechajte si ju do budúcnosti.

ZAREGISTROVANIE ZÁRUKY: Pre potvrdenie záruky na tento výrobok vyplňte korešpondenčný lístok, ktorý je prílohou brožúry s pokynmi a zárukami.

JAY[®] KIDS[™] Ryg

Vigtige forbrugeroplysninger

BEMÆRK: Denne vejledning indeholder vigtige anvisninger, som skal være tilgængelige for brugeren af produktet. Vejledningen må derfor ikke fjernes, men skal leveres til slutbrugeren sammen med produktet.

FORHANDLER: Denne vejledning skal gives videre til brugeren af produktet.

BRUGER: Sørg for at læse hele denne vejledning, inden du anvender produktet, og gem vejledningen til senere brug.

GARANTI REGISTRERING: For at bekræfte dette produkts garanti, bedes du udfylde og returnere det postkort, der er fastgjort til den vedlagte garantibrochure.

Bruksanvisning

Uživatelská příručka

Instrukcja użytkowania

Príručka užívateľa

Brugervejledning

ENGLISH	5	SVENSKA	55
Introduction	6	Inledning	55
Maintenance And Cleaning	7	Underhåll Och Rengöring	56
Fitting The Back To The Chair	8	Montering Av Ryggstöd På Stolen	57
Installation	9	Installation	58
Adjustment	10	Justering	59
Transit Safety	11	Transportsäkerhet	60
Removal And Replacement	12	Borttagning Och Omplacering	61
Warranty	12	Garanti	61
DEUTSCH	13	NORSK	62
Einführung	13	Innledning	62
Pflege Und Reinigung	14	Vedlikehold Og Rengjøring	63
Montage Des Rückens An Den Rollstuhl	15	Montere Ryggen På Stolen	64
Montage	16	Montering	65
Einstellung	17	Justering	66
Transportsicherheit	18	Sikkerhet Under Transport	67
Entfernen Und Ersatz	19	Demontering Og Montering	68
Garantie	19	Garanti	68
NEDERLANDS	20	ČESKY	69
Inleiding	20	Úvod	69
Onderhoud En Reiniging	21	Údržba A Čištění	70
Bevestigen Van De Rugleuning Aan De Stoel	22	Montáž Zádové Opěrky Na Invalidní Vozík	71
Montage	23	Instalace	72
Aanpassing	24	Seřízení	73
Veiligheid Tijdens Transport	25	Bezpečnost Při Přepravě	74
Verwijdering En Vervanging	26	Odstranění A Výměna	75
Garantie	26	Záruka	75
ESPAÑOL	27	WERSJA POLSKA	76
Introducción	27	Wprowadzenie	76
Mantenimiento Y Limpieza	28	Konserwacja I Czyszczenie	77
Colocación Del Respaldo En La Silla	29	Montowanie Oparcia Do Wózka	78
Instalación	30	Montaż	79
Seguridad En Tránsito	32	Regulacja	80
Retirada Y Nueva Colocación	33	Bezpieczeństwo Transportu	81
Garantía	33	Demontaż I Wymiana	82
FRANÇAIS	34	Gwarancja	82
Introduction	34	SLOVENSKY	83
Entretien Et Nettoyage	35	Úvod	83
Montage Du Dossier Sur Le Fauteuil	36	Údržba A Čistenie	84
Installation	37	Inštalácia Opierky Chrbta Na Vozík	85
Réglage	38	Inštalácia	86
Sécurité À Bord D'un Véhicule	39	Nastavenie	87
Retrait Et Remplacement	40	Bezpečnosť Pri Preprave	87
Garantie	40	Demontáž A Výměna	87
PORTUGUÊS	41	Záruka	87
Introdução	41	DANSK	88
Manutenção E Limpeza	42	Indledning	88
Instalar O Encosto Da Cadeira	43	Vedligeholdelse Og Rengøring	89
Instalação	44	Montering Af Ryggen På Kørestolen	90
Ajustamento	45	Montering	91
Segurança Durante A Condução	46	Justering	92
Remoção E Substituição	47	Sikkerhed Ved Transport	93
Garantia	47	Aftagning Og Genmontering	94
ITALIANO	48	Garanti	94
Introduzione	48		
Manutenzione E Pulizia	49		
Montaggio Dello Schienale Sulla Carrozzina	50		
Installazione	51		
Regolazione	52		
Sicurezza Dello Schienale In Caso Di Trasporto Su Un Veicolo A Motore	53		
Rimozione E Posizionamento	54		
Garanzia	54		

⚠ WARNING

Sunrise Medical recommends that a clinician such as a doctor or therapist experienced in seating and positioning be consulted to determine if a ZIP Back is appropriate.
 Backs should only be installed by an authorized Sunrise Medical supplier.

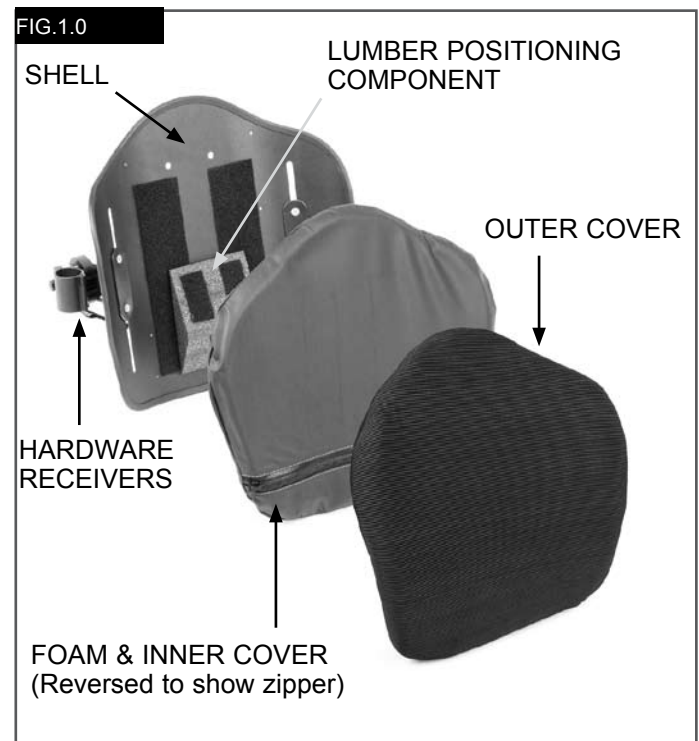
THE JAY ZIP Back (Fig.1.0)

The JAY ZIP Back is designed to provide the important benefits of a proper back support for a wide variety of pediatric users.
 It is designed to provide simple, comfortable and effective support to help maximize function and increase sitting tolerance. In addition, it is light-weight, durable and easy to use.

Maximum user weight: 75kg

⚠ WARNINGS

- Installing a back support on a wheelchair may affect the center of gravity of the wheelchair and may cause the wheelchair to tip backwards potentially resulting in injury.
- Always assess for the potential need for anti-tippers or amputee axle adapter brackets to be added to the wheelchair to help increase stability.
- Do not use the back to push or lift wheelchair. Improper use may cause the back to unexpectedly detach from the wheelchair.
- Do not use the back handle to lift wheelchair. It is intended only for back removal.



MAINTENANCE

- Sunrise recommends that all fasteners be checked for wear, such as loose bolts or broken components every 6 months.
- Loose fasteners should be tightened according to the installation instructions.
- All fasteners should be tightened to torque specifications as stated in the hardware installation section.
- Contact your authorized Sunrise Medical supplier immediately to replace any broken components.

⚠ WARNING

- Do not continue to use the system after identifying loose or broken components.

NOTE: A wrench has been included with the back for your convenience.

EASY CLEANING (Fig.2.0)

⚠ CAUTION

When disassembling the back for cleaning, note the position of the Velcro® Lumbar Positioning Components for correct reassembly.

To clean back cover

Remove cover by detaching Velcro.
 Detach cover from back shell.
 Locate zipper on bottom of the cover and unzip.
 Remove foam with inner cover and turn cover inside out.
 Zip cover closed to avoid snagging.
 Machine wash in warm water (60°C).
 Drip or tumble dry on low heat.

⚠ CAUTION

- Do not dry clean covers or use industrial washers and dryers to clean cover.
- Do not steam autoclave.
- Do not bleach.
- Reinsert the foam with inner cover into the cover.

NOTE: The base has two layers of foam. When reinserting the foam, ensure that the thinner, firmer, light grey foam is facing the shell and the softer foam is facing the user.
 Once the foam is secured inside the cover, zip cover closed.

To clean back shell and Inner Cover

Shell and inner cover may be wiped clean with soap and water.

No other maintenance should be required.






To clean positioning components

Positioning components can be wiped clean with soap and water.

⚠ CAUTION

- Do not immerse positioning components underwater.

If you have any additional questions regarding cleaning procedures, please contact your authorized Sunrise Medical dealer.

FIG.2.0 LAUNDRY CARE SYMBOLS	
	Machine wash in warm water (60° C)
	Only non-chlorine bleach, when needed
	Drip dry
	Do not iron
	Do not dry clean

DETERMINING COMPATIBILITY

Wheelchair Types

The ZIP Back is designed to be compatible with most wheelchairs with the following exceptions:

⚠ WARNING

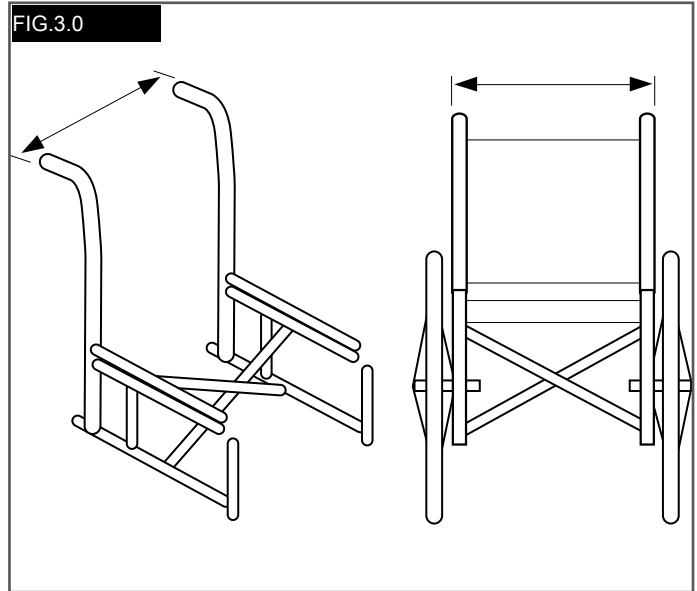
- Wheelchairs that are angularly adjustable, recline or tilt and result in a back angle greater than 60 degrees from the vertical should not be used.
- Use with these types of wheelchairs may cause the back to accidentally disconnect from the wheelchair resulting in a fall and the potential for serious injury.

Wheelchair Dimensions

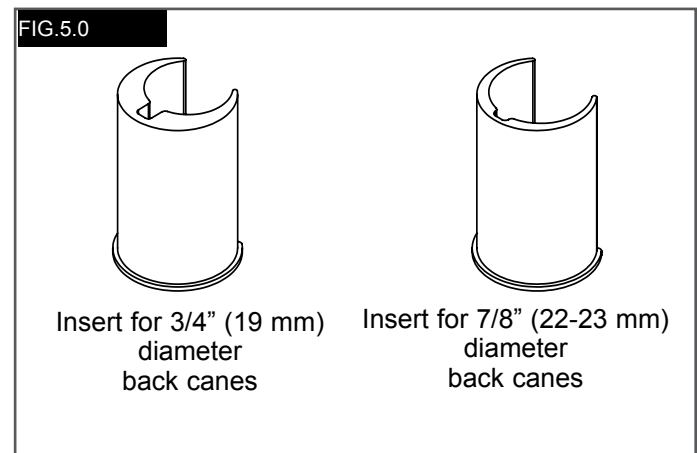
The JAY ZIP Back is designed to replace the wheelchair’s sling upholstery. Prior to installation determine if the wheelchair used has compatible back canes, by measuring the width between your back canes as seen in Figure 3.0. Using that measurement, check Figure 4.0 to determine if the back will fit your chair. Next check that the back canes are a compatible diameter. The ZIP Back hardware can be mounted on wheelchair back canes that measure in diameter 3/4”,(19mm), (with insert), 7/8”, (22-23mm), (with insert) or 1”, (25-25.5mm), (no insert). (Figure 5.0).

⚠ CAUTION

If you cannot determine that the back canes are compatible, please contact your authorized Sunrise Medical provider or Sunrise Medical customer service.



ZIP Back Width* (all contours)	Width of back canes from outside to outside of the tubes (Fig. 3.0)			
	Minimum width Inch	mm	Maximum width Inch	mm
8" (20 cm)	7.875	20.00	9.125	23.18
10" (25 cm)	9.875	25.00	11.125	28.26
12" (30 cm)	11.875	30.16	13.125	33.34
14" (35 cm)	13.875	35.24	15.125	38.42



INSTALLING THE MOUNTING HARDWARE

Please read the following instructions before beginning installation.

To install the JAY ZIP Back, begin without the user in the wheelchair.

Once the back has been installed and minor adjustments are needed the user can be seated back in the wheelchair.

Tool required (included) 10mm wrench



Hardware Installation Instructions (Fig. 6.0)

- Remove the existing wheelchair back according to the wheelchair manufacturer's instructions.
- Visually determine the desired location of the receivers on the wheelchair's back canes.
- The mounting hardware should be at approximately equal heights on each back post and parallel to the seat frame.
- Higher locations on the back canes are generally better.

Attach the hardware receivers.

- Loosen the clamp screws (A) with the enclosed 10 mm wrench. NOTE— For large tube diameters, clamp screws may have to be removed completely.
- Attach and align receiver to the wheelchair back canes.
- Hand tighten clamp screws (A).

NOTE: Receivers may require additional lateral adjustment to ensure proper alignment.

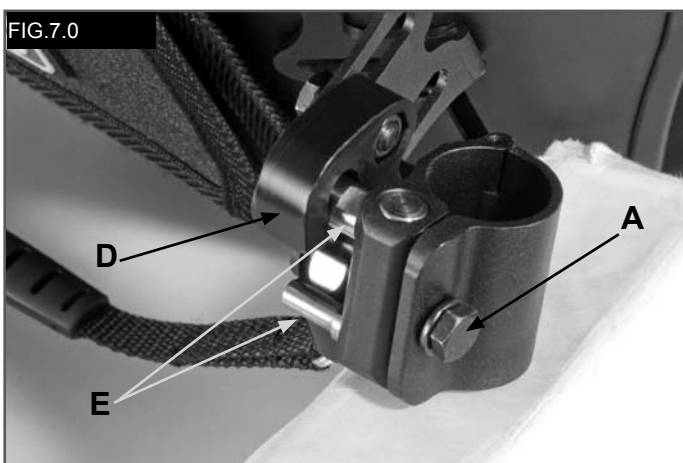
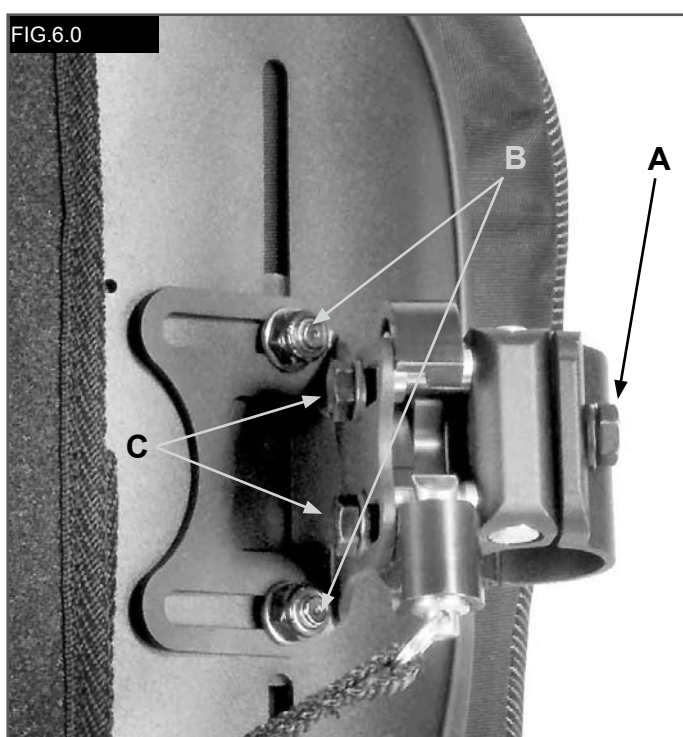
Attaching and Aligning the Back Shell (Figs.6.0-7.0)

- Loosen bracket nuts (B) and mounting pin bolts (C) using 10mm wrench until hardware can move easily in all directions.
- Attach the ZIP Back to the hardware receivers by inserting left and right mounting hooks (D) in the left and right receivers (E).
- Locate back to the approximate location, relative to both chair and user.
- Tighten bolts on the inside of the mounting hooks (D).
- The recommended torque specification is 100 - 110 inlbs. (11.3 - 12.4 Nm). NOTE— Back depth and angle may require additional adjustment to ensure proper fit to the user.
- Tighten bracket nuts (B). The recommended torque specification is 75 - 85 in-lbs. (8.5 - 9.3 Nm).

NOTE: Back height may require additional adjustment to ensure proper fit to the user.

- Test the back release by pulling down on the back release handle and removing the back off the chair. (See Removal and Replacement section for further details.)
- Proper alignment of the mounting hardware and back is achieved when smooth attachment and release can be easily done.
- If proper alignment has not been achieved, adjust the components until they are properly aligned.
- Once properly aligned, tighten the hardware receiver clamp screws.

NOTE: The recommended torque specification is:
75 - 85 in-lbs (8.5 - 9.3 Nm).



ADJUSTING JAY ZIP HEIGHT, DEPTH AND ANGLE

With the user in the chair, modify the back height, depth, and angle to meet the unique requirements of the user.

⚠ WARNING

- Do not have the user apply full pressure on the back as it is not fully tightened to the full torque requirements.

Height Adjustment (Fig. 8.0)

- With the user in the chair, identify the desired height of the back.
- Once identified, have the user remove pressure from the back by leaning or sliding partially forward if possible to allow the adjustment to take place.
- Loosen the bracket nuts (B) and adjust the height of the back shell to required position.
- Securely tighten the bracket nuts (B).
- The recommended torque specification is 75-85 in-lbs. (8.5 - 9.3 Nm).

NOTE: After height adjustment is complete, check that the width was not inadvertently changed when tightening the nuts.

Depth/Angle Adjustment (Fig. 8.0)

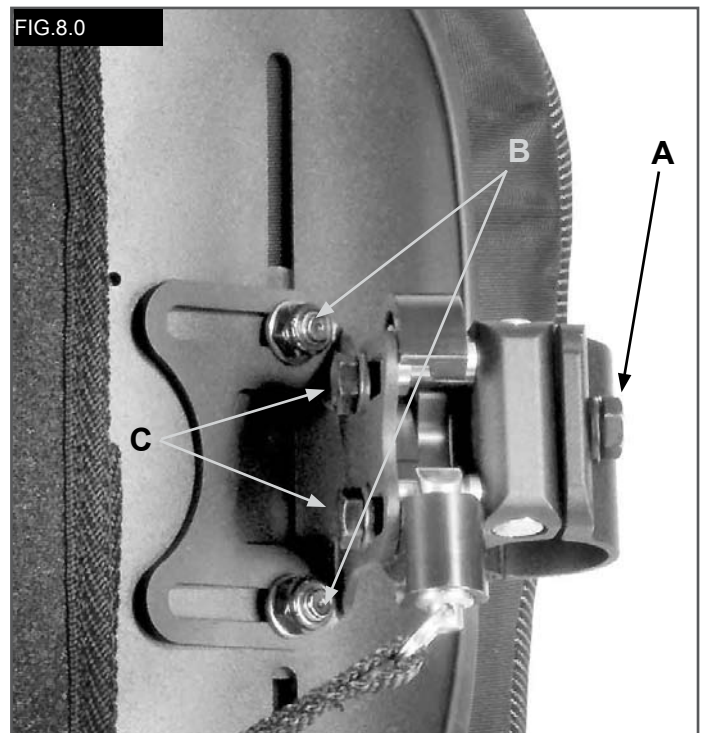
The hardware allows for 1.6", (40.5mm) of anterior depth adjustment, 3", (76.2mm) with reversing hardware.

- To adjust back depth and angle loosen left and right bolts (C) on bracket slots.
- Adjust depth and/or angle and securely tighten.
- The recommended torque specification is 100-110 in-lbs. (11.3 - 12.4 Nm).
- Ensure that none of the depth adjustment nuts (C) will slip or rotate.

⚠ WARNING

Ensure that all hardware has been properly tightened when all adjustments have been completed and that the Back is ready for use.

FIG.8.0



BACK TRANSIT SAFETY

This back has been dynamically tested for use on a wheelchair transported in a motor vehicle. Please follow all installation, use and maintenance instructions within this manual as well as the transit instructions listed below.

⚠ WARNINGS

- If possible and feasible, the rider should transfer to the Original Equipment Manufacturer vehicle seat and use the vehicle restraints.
- The distance between the top of the user's shoulder and the top of the back shell should not exceed 3" (7.6 cm).
- The wheelchair must be labelled as appropriate for use as a seat in a motor vehicle, dynamically tested to the performance requirements of ISO Standard 7176-19 and installed, used and maintained according to the manufacturer's instructions.
- If the original wheelchair seat was replaced, the new seat must be approved for wheelchair transit, installed and used as indicated in the manufacturer's instructions.
- The Wheelchair Tie down and Occupant Restraint System (WTORS) should be compatible with the specific wheelchair, used as indicated in the manufacturer's instructions and should comply with the performance requirements of ISO Standard 10542.
- The wheelchair must be forward facing during transport.
- In order to reduce the potential of injury to vehicle occupants wheelchair-mounted accessories such as trays and non essential equipment should be removed and secured separately.
- This product is intended for use by users ranging in weight from 10 to 75kg.
- Postural support devices such as pelvic positioning belts, anterior trunk supports or postural supports such as lateral trunk supports should not be relied on for occupant restraint in a moving vehicle unless they are labelled as conforming to ISO Standard 16840-4.
- Alterations or substitutions should not be made to the structure, parts or components, without consulting the manufacturer.
- **FAILURE TO HEED THESE WARNINGS COULD CAUSE SEVERE INJURY TO THE WHEELCHAIR RIDER OR OTHERS.**

REMOVAL AND REPLACEMENT**Removal**

Following installation and adjustment, the back can be easily removed from the wheelchair if necessary. To remove, pull down on back handle, rotate up, then remove from the hardware receivers.

Proper reattachment after removal

To reattach the back to the hardware receivers, pull down on cord, insert back into receivers, and rotate down.

⚠ WARNING

If you are uncertain if you have heard the locking "click", pull up on the back to ensure that it has been securely locked.

24 MONTH LIMITED WARRANTY

Each JAY ZIP Back is carefully inspected and tested to provide peak performance. Every JAY ZIP Back is guaranteed to be free from defects in materials and workmanship for a period of 24 months from the date of purchase, provided normal use. Should a defect in materials or workmanship occur within 24 months from the original date of purchase, Sunrise Medical will, at its option, repair or replace it without charge. This warranty does not apply to punctures, tears or burns, nor to the back's removable cover. Claims and repairs should be processed through the nearest authorized supplier.

Except for express warranties made herein, all other warranties, including implied warranties of merchantability and warranties of fitness for a particular purpose are excluded. There are not warranties which extend beyond the description on the face hereof. Remedies for breach of express warranties herein are limited to repair or replacement of the goods. In no event shall damages for breach of any warranty include any consequential damages or exceed the cost of non-conforming goods sold.

! WARNUNG

Sunrise Medical empfiehlt, bezüglich der Eignung des ZIP Rückens Klinikpersonal wie einen Arzt oder Therapeuten mit Erfahrung mit Sitzsystemen und Positionierung zu Rate zu ziehen.

Rücken sollten nur von einem autorisierten Sunrise Medical Fachhändler angebaut werden.

Der JAY ZIP Rücken (Fig. 1.0)

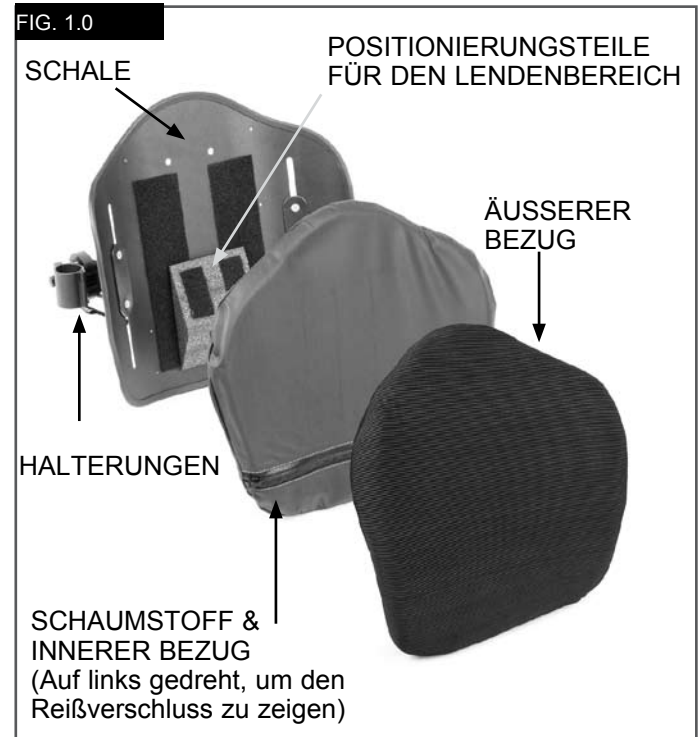
Der JAY ZIP Rücken wurde entwickelt, um einem breiten Spektrum von pädiatrischen Benutzern die wichtigen Vorteile einer guten Rückenunterstützung anzubieten.

Er ist als eine einfache, komfortable und effektive Stütze für maximale Funktion und erhöhte Sitztoleranz ausgelegt. Dazu ist er leicht, langlebig und einfach zu bedienen.

Maximales Körpergewicht des Fahrers: 75 kg

! WARNUNGEN

- Durch die Montage einer Rückenstütze an einem Rollstuhl kann sich der Schwerpunkt des Rollstuhls verlagern. Das kann dazu führen, dass der Rollstuhl nach hinten kippt, was Verletzungen nach ziehen kann.
- Beurteilen Sie in jedem Fall, ob Sicherheitsräder oder Achsenadapter für Amputierte am Rollstuhl angebracht werden müssen, um die Stabilität zu erhöhen.
- Schieben oder heben Sie den Rollstuhl nicht am Rücken. Der unsachgemäße Gebrauch kann dazu führen, dass sich der Rücken unerwartet vom Rollstuhl löst.
- Benutzen Sie niemals den Gurt zum Schieben des Rollstuhls. Er ist nur zum Abnehmen des Rückens bestimmt.



WARTUNG

- Sunrise empfiehlt, alle Verbindungselemente alle 6 Monate auf Abnutzungserscheinungen wie z.B. lose Schrauben oder defekte Bauteile zu überprüfen.
- Lose Verbindungselemente sollten gemäß der Montageanleitung festgezogen werden.
- Sämtliche Halterungen müssen gemäß den entsprechenden Angaben mit dem richtigen Drehmoment angezogen werden.
- Wenden Sie sich zum Auswechseln von defekten Bauteilen sofort an Ihren autorisierten Sunrise Medical Händler.

⚠️ WARNUNG

- Wenn lose oder defekte Bauteile festgestellt wurden, das System nicht weiter verwenden.

HINWEIS: Mit dem Rücken wird ein Schraubenschlüssel mitgeliefert.

EINFACHE REINIGUNG (Fig. 2.0)

⚠️ VORSICHT

Wenn Sie den Rücken zur Reinigung abnehmen, merken Sie sich die Position der Velcro® Positionierungsteile für den Lendenbereich, damit alles wieder richtig eingebaut wird.

Reinigung des Rückenbezugs

Entfernen Sie den Bezug, indem Sie den Klettverschluss öffnen und ziehen Sie ihn von der Rückenschale.

Öffnen Sie den Reißverschluss unten am Bezug. Nehmen Sie den Schaumstoff mit dem inneren Bezug heraus und drehen Sie den Bezug auf links. Ziehen Sie den Reißverschluss zu, damit nichts hängen bleiben kann.

Normalwaschgang (60° C)

Nass aufhängen oder auf niedriger Stufe im Trockner trocknen.

⚠️ VORSICHT

- Überzüge dürfen nicht chemisch gereinigt oder in einer gewerblichen Waschmaschine gewaschen oder getrocknet werden.
- Nicht im Autoklav reinigen.
- Nicht bleichen.
- Setzen Sie den Schaumstoff mit dem inneren Bezug wieder in den Bezug ein.

BITTE BEACHTEN SIE: Die Unterlage besteht aus zwei Schaumstofflagen. Beim Wiedereinsetzen des Schaumstoffs darauf achten, dass der dünnere, festere Schaumstoff zur Schale und der weichere Schaumstoff zum Benutzer zeigt.

Wenn sich der Schaumstoff wieder im Bezug befindet, schließen Sie den Reißverschluss.

So reinigen Sie die Rückenschale und den inneren Bezug

Die Schale und der innere Bezug können mit Wasser und Seife sauber gewischt werden. Es ist sonst keine Wartung erforderlich.

Reinigung der Haltevorrichtungen

Haltevorrichtungen können mit Wasser und Seife gereinigt werden.

⚠️ VORSICHT

- Tauchen Sie die Haltevorrichtungen nicht ins Wasser.

Falls Sie weitere Fragen zur Reinigung haben, wenden Sie sich bitte an Ihren Sunrise Medical Fachhändler.

FIG. 2.0	REINIGUNGSSYMBOL
	Normalwaschgang (60° C)
	Nur chlorfreie Bleichmittel, bei Bedarf
	Nass aufhängen
	Nicht bügeln
	Nicht für den Trockner geeignet

BESTIMMEN DER KOMPATIBILITÄT

Rollstuhltypen

Der ZIP Rücken ist so ausgelegt, dass er mit den meisten Arten von Rollstühlen kompatibel ist mit den folgenden Ausnahmen:

⚠️ WARNUNG

- Für Rollstühle, bei denen der Rückenwinkel und die Sitzneigung so verstellt werden können, dass der Rückenwinkel über 60 Grad zur Senkrechten beträgt, sollte er nicht verwendet werden.
- Bei Verwendung mit diesen Arten von Rollstühlen kann sich der Rücken unabsichtlich vom Rollstuhl lösen, was zu Stürzen und unter Umständen zu schweren Verletzungen führen kann.

Maße des Rollstuhls

Der JAY ZIP Rücken ersetzt die Rückenbespannung des Rollstuhls.

Überprüfen Sie vor dem Einbau, ob der Rollstuhl über ein geeignetes Rückenrohr verfügt. Messen Sie dazu die Breite zwischen den Rückenrohren, wie in Fig. 3.0 gezeigt.

Überprüfen Sie dann anhand der Maße in Fig. 4.0, ob der Rücken auf Ihren Rollstuhl passt.

Als nächstes überprüfen Sie, dass der Durchmesser der Rückenrohre kompatibel ist.

Die Halterung des ZIP Rückens kann auf Rückenrohre von Rollstühlen montiert werden, die einen Durchmesser von 3/4" (19 mm) (mit Einsatz), 7/8" (22-23 mm) (mit Einsatz) oder 1" (25-25,5 mm) (ohne Einsatz) aufweisen. (Fig. 5.0).

⚠️ VORSICHT

Wenn Sie nicht feststellen können, ob die Rückenrohre kompatibel sind, wenden Sie sich an Ihren autorisierten Sunrise Medical Händler oder den Kundenservice von Sunrise Medical.

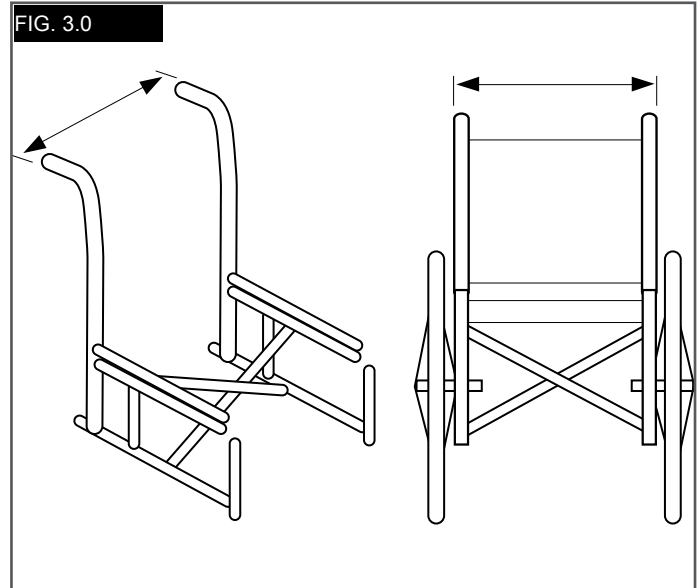
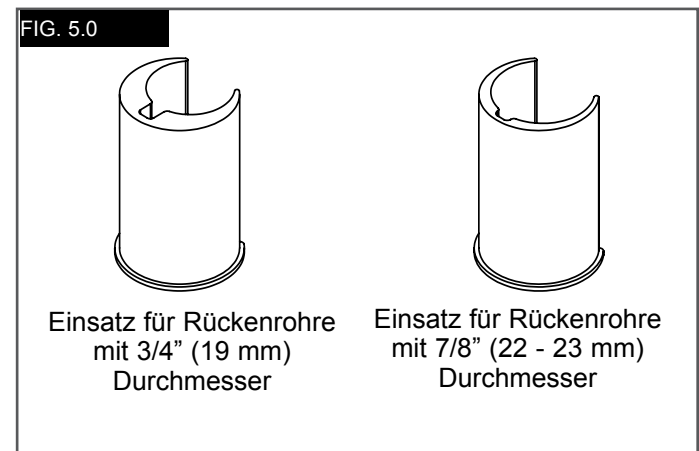


FIG. 4.0 Breite der Rückenrohre von Außenseite zu Außenseite der Rohre (Fig. 3.0)

ZIP Rückenbreite* (alle Konturen)	Mindestbreite		Maximale Breite	
	Zoll	mm	Zoll	mm
8" (20 cm)	7,875	20,00	9,125	23,18
10" (25 cm)	9,875	25,00	11,125	28,26
12" (30 cm)	11,875	30,16	13,125	33,34
14" (35 cm)	13,875	35,24	15,125	38,42



MONTAGE DER HALTERUNG

Bitte lesen Sie folgende Anweisungen gründlich durch, bevor Sie mit dem Einbau beginnen.

Den Einbau des JAY ZIP Rückens beginnen Sie ohne den Benutzer im Rollstuhl.

Nachdem der Rücken angebracht ist, kann der Nutzer wieder im Rollstuhl Platz nehmen, um kleinere Anpassungen vornehmen zu können.

Benötigtes Werkzeug (wird mitgeliefert) 10mm Schraubenschlüssel



Anbringen der Halterungen (Fig. 6.0)

- Entfernen Sie die vorhandenen Rücken gemäß den Herstelleranweisungen.
- Legen Sie die Position der Halterungen für den Rücken an den Rückenrohren fest.
- Sie sollten sich an beiden Seiten auf gleicher Höhe befinden und parallel zum Sitzrahmen.
- Eine Position weiter oben an den Rückenrohren ist in der Regel vorteilhafter.

Bringen Sie die Halterungen an

- Lösen Sie die Klemmschrauben (A) mit dem beiliegenden Schlüssel. HINWEIS – Für Rohre mit größerem Durchmesser müssen die Klemmschrauben möglicherweise komplett entfernt werden.
- Bringen Sie die Halterungen an den Rückenrohren an und richten Sie diese aus.
- Ziehen Sie die Klemmschrauben (A) nach.

HINWEIS: Die Aufnahmen müssen unter Umständen noch einmal seitlich verschoben werden, damit sie richtig ausgerichtet sind.

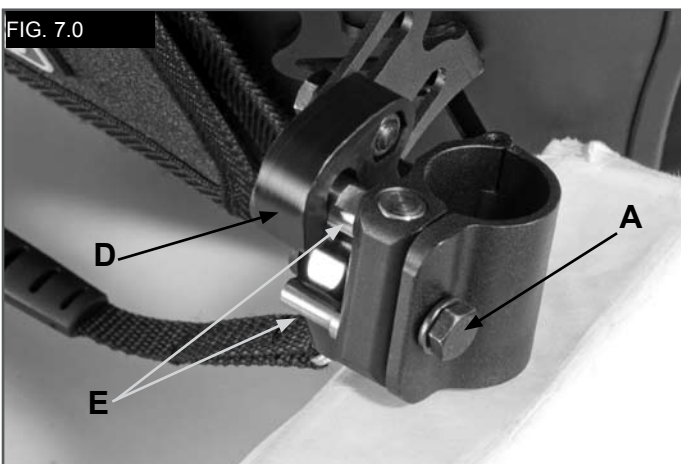
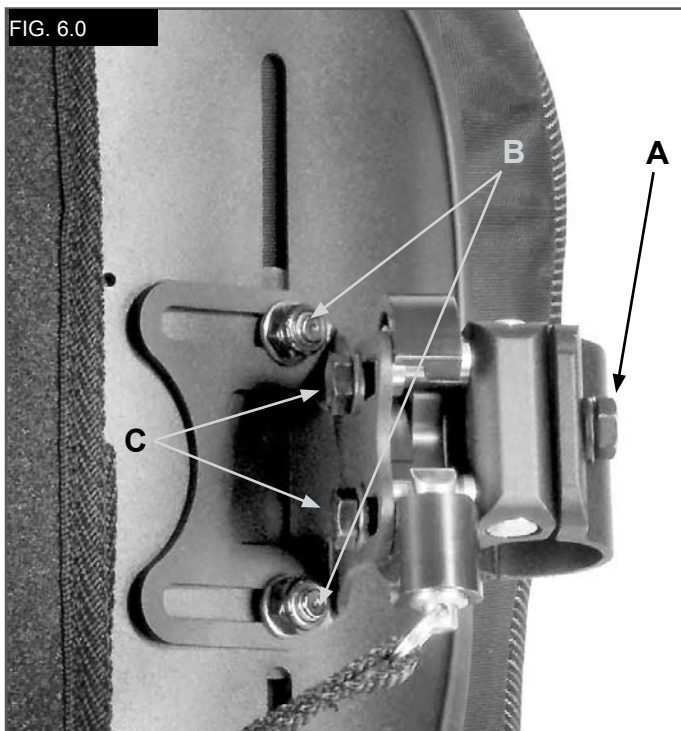
Befestigen und Ausrichten der Rückenschale (Fig. 6.0-7.0)

- Lockern Sie die Muttern (B) an der Halteplatte und die Schrauben der Befestigungsstifte (C) mit dem 10 mm Schraubenschlüssel, bis sich die Halterung leicht in alle Richtungen drehen lässt.
- Setzen Sie den ZIP Rücken in die Halterungen ein, indem Sie den linken und rechten Montagehaken (D) in die linke und rechte Aufnahme schieben (E).
- Bringen Sie den Rücken in die richtige Position, passend für Benutzer und Stuhl.
- Ziehen Sie die Schrauben an der Innenseite der Montagehaken (D) fest.
- Das empfohlene Drehmoment beträgt 100 - 110 inlbs. (11,3 - 12,4 Nm). HINWEIS– Möglicherweise muss der Rücken noch an die Bedürfnisse des Benutzers angepasst werden.
- Ziehen Sie die Klammermutter (B) fest. Das empfohlene Drehmoment beträgt 75 - 85 in-lbs. (8,5 - 9,3 Nm).

HINWEIS: Die Rückenhöhe muss eventuell noch an die Bedürfnisse des Benutzers angepasst werden.

- Überprüfen Sie die Rückenentriegelung, indem Sie den Verschlusshebel nach unten drücken und den Rücken vom Stuhl abnehmen. (Weitere Informationen finden Sie im Abschnitt Entfernen und Ersatz.)
- Die Halterungen sind richtig positioniert, wenn sich der Rücken leicht einhängen und aushängen lässt.
- Wenn er nicht richtig ausgerichtet ist, bringen Sie die Teile in die richtige Position.
- Sobald die Halterungen richtig positioniert sind, ziehen Sie die Klemmschrauben der Halterungen fest.

HINWEIS: Das empfohlene Drehmoment beträgt: 75 - 85 in-lbs (8,5 - 9,3 Nm).



HÖHE, TIEFE UND WINKEL DES JAY ZIP VERSTELLEN

Stellen Sie die Höhe, Tiefe und den Winkel des Rückens auf die individuellen Bedürfnisse des Benutzers ein, während dieser im Rollstuhl sitzt.

⚠️ WARNUNG

- Achten Sie darauf, dass sich der Benutzer nicht anlehnt, da der Rücken noch nicht richtig befestigt ist.

Höheneinstellung: (Fig. 8.0)

- Bringen Sie den Rücken auf die gewünschte Höhe, während sich der Benutzer im Rollstuhl befindet.
- Der Benutzer sollte nun den Druck von dem Rücken nehmen, indem er sich etwas nach vorn beugt, damit der Rücken eingestellt werden kann.
- Lösen Sie die Klammermuttern (B) und stellen Sie den Rücken auf die gewünschte Höhe ein.
- Ziehen Sie die Klammermuttern (B) fest an,
- Das empfohlene Drehmoment beträgt 75 - 85 in-lbs. (8.5 - 9.3 Nm).

HINWEIS: Wenn die Höhenverstellung abgeschlossen ist, überprüfen Sie, dass beim Anziehen der Muttern nicht aus Versehen auch die Breite verstellt wurde.

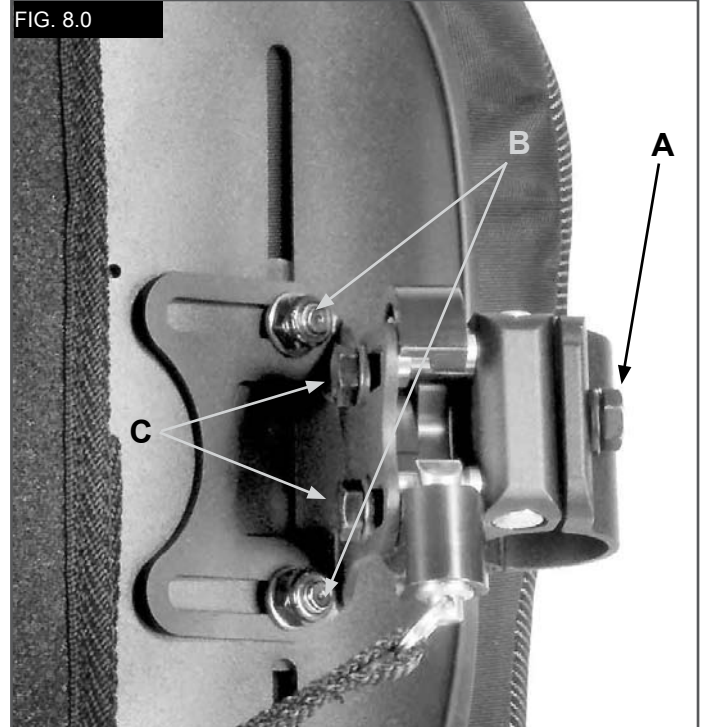
Tiefen-/Winklereinstellung (Fig. 8.0)

Mit der Halterung kann die Tiefe vorne um 1,6" (40,5mm) verstellt werden, mit der umkehrbaren Halterung um 3" (76,2mm).

- Zum Verstellen von Rückentiefe und -winkel lockern Sie die linke und rechte Schraube (C) in den Öffnungen der Halteplatte.
- Ziehen Sie nach Einstellung der Tiefe und des Winkels die Muttern fest an.
- Das empfohlene Drehmoment beträgt 100 - 110 in-lbs. (11,3 - 12,4 Nm).
- Achten Sie darauf, dass die Tiefeneinstellmuttern (C) nicht verrutscht oder verdreht werden.

⚠️ WARNUNG

Achten Sie darauf, dass alle Halterungen ordnungsgemäß festgezogen sind, wenn alle Einstellungen abgeschlossen sind und dass der Rücken einsatzbereit ist.



TRANSPORTSICHERHEIT

Der Rücken wurde für die Benutzung an einem Rollstuhl, der in einem Kraftfahrzeug transportiert wird, dynamisch getestet.

Bitte befolgen Sie alle in diesem Handbuch beschriebenen Anweisungen bzgl. Einbau, Benutzung und Wartung sowie die unten aufgeführten Transporthinweise.

WARNUNGEN

- Wenn möglich sollte der Benutzer den Fahrzeugsitz sowie die Sicherheitsgurte des Fahrzeugs benutzen.
- Der Abstand zwischen der Schulterhöhe des Benutzers und der Oberkante der Rückenschale sollte nicht mehr als 7,6 cm (3") betragen.
- Der Rollstuhl muss als geeigneter Sitz in einem Kraftfahrzeug gekennzeichnet sein und dynamisch gemäß den Anforderungen der ISO Norm 7176-19 getestet worden sein. Er muss entsprechend den Herstelleranweisungen installiert, benutzt und gewartet werden.
- Wenn der Originalsitz ausgetauscht wurde, muss der neue Sitz den Transportvorschriften für Rollstühle entsprechen und gemäß den Herstelleranweisungen installiert und benutzt werden.
- Der Rollstuhl muss für das Anbringen von Kraftknoten geeignet sein, gemäß den Herstelleranweisungen benutzt werden und den Leistungsanforderungen gemäß ISO 10542 entsprechen.
- Beim Transport muss der Rollstuhl nach vorne gerichtet sein.
- Um die Verletzungsgefahr für die Fahrzeuginsassen zu verringern, sollten am Rollstuhl befestigte Gegenstände wie Therapietische und nicht unbedingt erforderliche Objekte abgenommen und sicher befestigt werden.
- Dieses Produkt ist für Benutzer mit einem Körpergewicht von 10 bis 75 kg ausgelegt.
- Haltevorrichtungen, wie Beckengurte, vordere oder seitliche Rumpfstütze sind ungeeignet, um den Rollstuhlbenutzer zu sichern, außer sie sind zertifiziert gemäß ISO 16840-4.
- Rahmen, Teile oder Komponenten sollten nicht ohne Rückfragen beim Hersteller verändert oder ersetzt werden.
- **EINE MISSACHTUNG DIESER ANWEISUNGEN KANN ZU ERNSTEN VERLETZUNGEN DES ROLLSTUHLBENUTZERS ODER ANDERER PERSONEN FÜHREN.**

ENTFERNEN UND ERSATZ**Entfernen**

Nach Einbau und Einstellen kann der Rücken bei Bedarf leicht vom Rollstuhl abgenommen werden. Ziehen Sie zum Abnehmen den Rückengriff nach unten, drehen Sie ihn nach oben und nehmen Sie ihn dann von den Halterungen ab.

Ordnungsgemäßes Anbringen nach dem Abnehmen

Ziehen Sie zum Wiederanbringen des Rückens am Seil nach unten, setzen Sie ihn wieder in die Aufnahmen ein und drehen Sie ihn nach unten.

⚠️ WARNUNG

Wenn Sie sich nicht sicher sind, ob Sie das Klickgeräusch beim Verriegeln gehört haben, ziehen Sie den Rücken nach oben, um sicherzustellen, dass er sicher arretiert ist.

GARANTIE

24 MONATE EINGESCHRÄNKTE GARANTIE

Alle JAY ZIP Rücken werden einer sorgfältigen Inspektion und Prüfung unterzogen, um die Höchstleistung zu gewährleisten.

Wir gewährleisten für einen Zeitraum von 24 Monaten ab dem Kaufdatum für alle JAY ZIP Rücken, dass sie bei normalem Gebrauch frei von Material- und Herstellfehlern sind. Sollte innerhalb von 24 Monaten ab dem Erstkaufdatum ein Material- oder Herstellungsfehler auftreten, wird dieser nach dem Ermessen von Sunrise Medical entweder repariert oder das Teil wird ersetzt.

Diese Garantie gilt nicht für Einstiche, Risse oder Verbrennungen sowie den abnehmbaren Bezug des Rückens.

Garantieansprüche müssen dem zuständigen, autorisierten Fachhändler gemeldet werden, der auch die Reparatur in die Wege leitet.

Außer den hier ausdrücklichen genannten Garantien sind alle anderen Gewährleistungen, einschließlich der Marktfähigkeit oder Gebrauchstauglichkeit, ausgeschlossen.

Es gibt keine Garantien, die über das hier Aufgeführte hinausreichen.

Der einzige Anspruch auf die ausdrücklich gegebenen Garantien

gilt für die Reparatur oder den Ersatz der Ware.

Die Garantie erstreckt sich auf keinen Fall auf Folgeschäden und der Garantieanspruch darf den Verkaufspreis der unter die Garantie fallenden Produkte auf keinen Fall übersteigen.

⚠ WAARSCHUWING

Sunrise Medical adviseert overleg met een klinisch medicus, bijvoorbeeld een arts of een therapeut gespecialiseerd in zitten en positioneren, om te bepalen of een ZIP rugleuning geschikt is.

Rugleuningen mogen uitsluitend door een erkende Sunrise Medical leverancier worden bevestigd.

De JAY ZIP Rugleuning (Fig. 1.0)

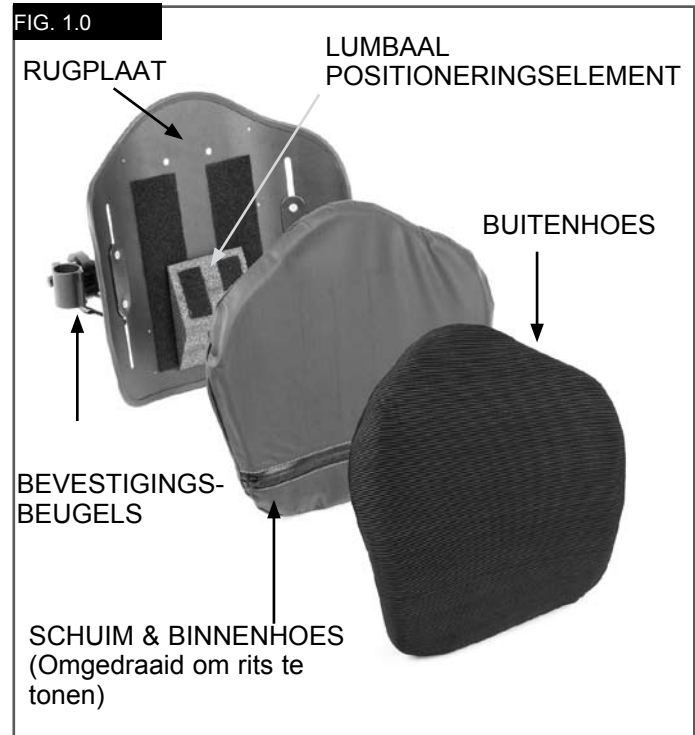
De Jay ZIP Rugleuning is speciaal ontworpen om een goede rugondersteuning voor uiteenlopende jonge gebruikers te bieden. Goede ondersteuning is van groot belang voor jonge gebruikers.

De leuning is ontwikkeld om eenvoudige, comfortabele en effectieve steun te bieden om de functie te optimaliseren en de zittolerantie te vergroten. Daarnaast is hij lichtgewicht, duurzaam en gebruiksvriendelijk.

Max. gebruikersgewicht: 75 kg

⚠ WAARSCHUWINGEN

- Het monteren van een rugleuning op de rolstoel kan het zwaartepunt van de rolstoel veranderen. Hierdoor bestaat de kans dat de rolstoel achterover kantelt, wat tot letsel kan leiden.
- Controleer altijd of er voorzieningen getroffen moeten worden om te voorkomen dat de rolstoel kantelt, of dat er aangepaste beugels voor mensen met een amputatie gemonteerd moeten worden, om de stabiliteit van de rolstoel te vergroten.
- Gebruik de rugleuning niet om de rolstoel op te tillen of te duwen. Door onjuist gebruik kan de rugleuning onverwachts losraken van de rolstoel.
- Gebruik de hendel aan de achterzijde niet om de rolstoel op te tillen. Deze hendel is uitsluitend bedoeld om de rugleuning te verwijderen.



ONDERHOUD

- Sunrise adviseert alle bevestigingsmaterialen ieder half jaar te controleren op slijtage, zoals losse schroeven of gebroken onderdelen.
- Loszittende bevestigingsmaterialen dienen aangedraaid te worden volgens de montage-instructies.
- Alle bevestigingen moeten worden aangedraaid volgens de specificatie die in de montagehandleiding wordt gegeven.
- Neem direct contact op met uw geautoriseerde Sunrise Medical dealer om gebroken onderdelen te vervangen.

⚠ WAARSCHUWING

- Gebruik het systeem niet nadat u hebt vastgesteld dat er loszittende of gebroken onderdelen zijn.

OPMERKING: Voor uw gemak is een moersleutel bijgevoegd bij de rugleuning.

GEMAKKELIJK TE REINIGEN (Fig. 2.0)

⚠ OPGELET

Wanneer u de rugleuning losmaakt om te reinigen, let dan goed op de plaats van het Velcro® klittenband bij de lumbale positioneringselementen, zodat deze later weer op de juiste wijze worden vastgemaakt.

Om de rugleuning te reinigen:

Maak de hoes los door het klittenband los te maken. Haal de hoes van de rugplaat.
 Maak de rits aan de onderzijde van de hoes los. Verwijder het schuim met de binnenhoes en draai de hoes binnenstebuiten. Sluit de rits, om te voorkomen dat het klittenband zich aan andere materialen hecht.
 Machinewasbaar in warm water (60°C)
 Laten uitdruipen of op lage temperatuur in de droogtrommel stoppen.

⚠ OPGELET

- Reinig de hoes niet door middel van chemische reiniging of in industriële was- of droogmachines.
- Reinig de hoes niet door middel van stomen.
- Niet bleken.
- Steek het schuim met de binnenhoes weer in de buitenhoes.

LET OP: De basis bestaat uit twee schuimlagen. Let erop wanneer u het schuim weer terug plaatst, dat het dunnere, stijve lichtgrijze schuim naar de rugplaat is gericht en dat het zachtere schuim naar de gebruiker toe wordt bevestigd.
 Nadat het schuim goed in de hoes zit, sluit u de rits.

Om de rugplaat en de binnenhoes te reinigen

De rugplaat en de binnenhoes kunnen worden gereinigd met water en zeep.
 Er is geen ander onderhoud noodzakelijk.






Om de positioneringselementen te laten drogen

Positioneringselementen kunnen worden gereinigd met water en zeep.

⚠ OPGELET

- Dompel de positioneringselementen niet onder water.

Neem contact op met de geautoriseerde Sunrise Medical dealer als u nog vragen heeft met betrekking tot de reinigingsvoorschriften.

FIG. 2.0	WASVOORSCHRIFTEN	
	Machinewasbaar in warm water (60°C)	
	Alleen bleken zonder chloor, wanneer noodzakelijk	
	Laten uitdruipen	
	Niet strijken	
	Niet chemisch reinigen	

COMPTABILITEIT

Rolstoeltypes

De ZIP Rugleuning is zodanig ontwikkeld dat hij op de meeste rolstoelen gebruikt kan worden. Bij de volgende rolstoelen kan hij echter niet worden gebruikt:

⚠ WAARSCHUWING

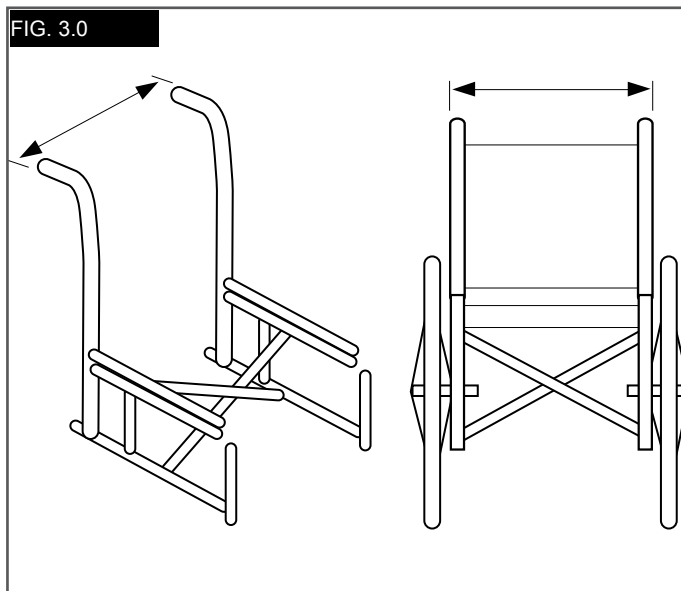
- Rolstoelen met een verstelbaar hoekbereik, achteruit kantelen of kantelen, waarbij de rughoek groter is dan 60 graden vanuit de verticale lijn.
- Wanneer de JAY ZIP Rugleuning op dit soort rolstoelen wordt gebruikt, kan de rugleuning losraken van de rolstoel. Dit kan leiden tot een val van de rolstoelgebruiker met mogelijk ernstig letsel.

Afmetingen van de rolstoel

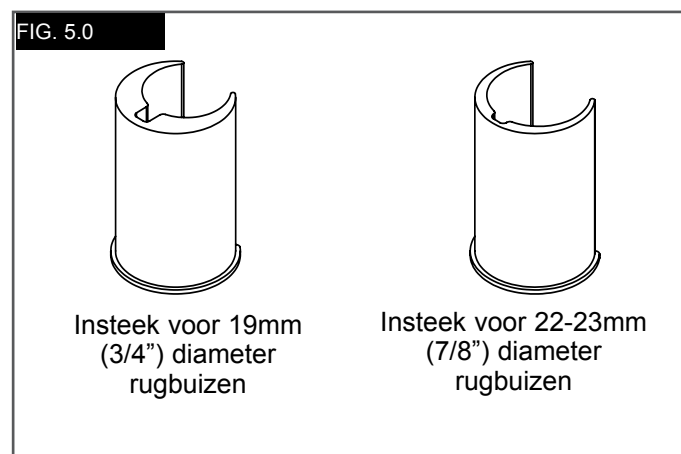
De JAY ZIP Rugleuning is ontwikkeld om de bekleding van de rolstoel te vervangen. Bepaal voor bevestiging of de rolstoel die wordt gebruikt, qua rugbuizen overeen komt. Dit doet u door de breedte tussen de rugbuizen te meten, zoals getoond in afbeelding 3,0. Controleer vervolgens aan de hand van die meting in tabel 4,0 of de rugleuning op uw rolstoel past. Controleer vervolgens of de diameter van de rugbuizen past. De ZIP Rugleuning bevestigingsbeugels kunnen worden bevestigd op rolstoelbuizen met een diameter van 19mm (3/4"), (met insteek), 22-23mm (7/8"), (met insteek) of 25-25,5mm (1"), (zonder insteek). (Fig. 5.0).

⚠ OPGELET

Indien u niet kunt vaststellen of de rugbuizen qua diameter overeenstemmen, neem dan contact op met uw erkende Sunrise Medical dealer of met de klantenservice van Sunrise Medical.



Breedte ZIP Rugleuning* (alle omtrekken)	Breedte van de rugbuizen van buitenzijde tot buitenzijde van de buizen (Fig. 3.0)			
	Minimale breedte Inch	mm	Maximale breedte Inch	mm
8" (20 cm)	7,875	20,00	9,125	23,18
10" (25 cm)	9,875	25,00	11,125	28,26
12" (30 cm)	11,875	30,16	13,125	33,34
14" (35 cm)	13,875	35,24	15,125	38,42



INSTALLEREN VAN DE BEVESTIGINGSBEUGELS

Lees onderstaande gebruiksaanwijzing door voor u met het installeren begint.

De JAY ZIP Rugleuning moet in eerste instantie worden gemonteerd zonder gebruiker in de rolstoel.

Wanneer de rugleuning is gemonteerd, kunnen kleine aanpassingen worden gedaan terwijl de gebruiker in de rolstoel zit.

Vereiste gereedschappen (bijgesloten) 10mm moersleutel



Instructies montage bevestigingsmateriaal (Fig. 6.0)

- Verwijder de bestaande rugleuning van de rolstoel volgens de instructies van de leverancier.
- Kijk op welke hoogte de beugels op de rugbuizen van de rolstoel gemonteerd moeten worden.
- De bevestigingsmaterialen moeten ongeveer op gelijke hoogte bevestigd worden op beide buizen aan de achterzijde en parallel aan het frame van de zitting.
- Een hogere plaats op de rugbuizen is doorgaans beter.

Bevestig de bevestigingsbeugels.

- Maak de klemmen los (A) met de bijgeleverde 10 mm moersleutel. LET OP: bij buizen met een grote diameter is het wellicht noodzakelijk de klemmen helemaal te verwijderen
- Bevestig de beugel en breng deze in lijn met de rugbuizen van de rolstoel.
- Draai de klemmen handmatig aan (A).

LET OP: beugels moeten later wellicht lateraal worden aangepast zodat ze goed in lijn zijn.

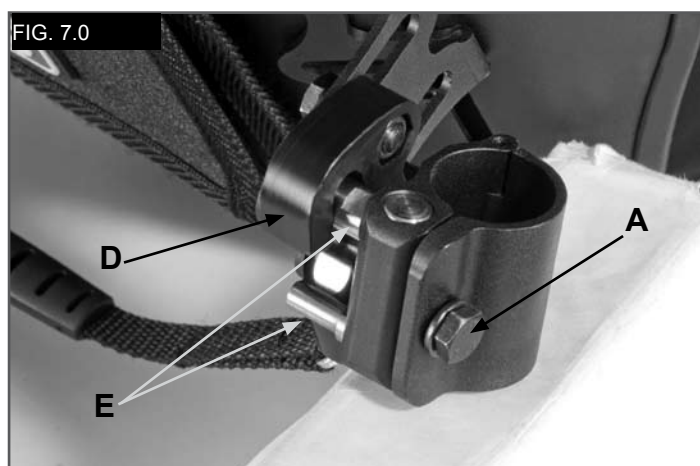
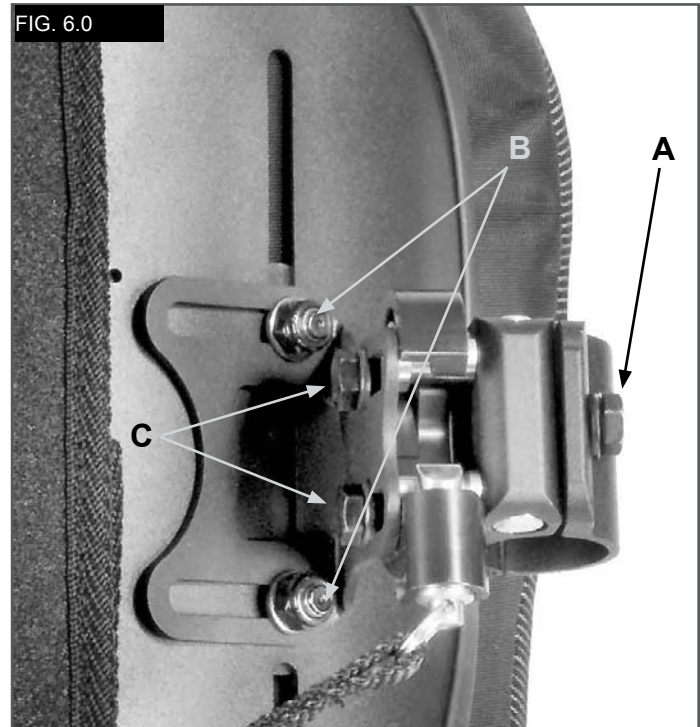
Bevestigen en uitlijnen van de rugplaat (Figuren 6.0 - 7.0)

- Maak de schroeven van de beugel (B) en de bevestigingspen (C) los met behulp van de 10mm moersleutel totdat alle materialen gemakkelijk in alle richtingen kunnen bewegen.
- Bevestig de ZIP Rugleuning aan de beugels door de linker- en rechterbevestigingshaken (D) in de linker- en rechterbeugel (E) te plaatsen.
- Plaats de rugplaat bij benadering op de juiste plaats ten opzichte van de stoel en gebruiker.
- Draai de bouten aan de binnenzijde van de bevestigingshaken aan (D).
- De aanbevolen draaikracht is volgens de specificatie 100 - 110 in-lbs. (11,3 - 12,4 Nm). LET OP – de hoek en diepte van de rugsleuning moet wellicht nog aangepast worden om optimale pasvorm voor de gebruiker te garanderen.
- Draai de bout (B) vast. De aanbevolen draaikracht is volgens de specificatie 75 - 85 in-lbs. (8,5 - 9,3 Nm).

LET OP: hoogte van de rugleuning moet wellicht nog aangepast worden om optimale pasvorm voor de gebruiker te garanderen.

- Test of de rugleuning losgemaakt kan worden door de hendels naar beneden te duwen en de rugleuning van de stoel te verwijderen. (Kijk verder in de instructies voor verwijderen en vervangen).
- De bevestigingsmaterialen en de rugleuning zijn goed uitgelijnd zodat de rugleuning makkelijk bevestigd en verwijderd kan worden.
- Als de uitlijning nog niet juist is, pas dan de onderdelen zodanig aan tot een goede uitlijning is bereikt.
- Wanneer alles goed uitgelijnd is, draait u de schroeven van de beugelklem strak aan.

LET OP: De aanbevolen draaikracht is volgens de specificatie: 75 - 85 in-lbs (8,5 - 9,3 Nm).



AANPASSEN JAY ZIP HOOGTE, DIEPTE EN HOEK

Pas de hoogte, diepte en hoek van de rugleuning aan terwijl de gebruiker in de stoel zit. Zo wordt de stoel volledig aan de persoonlijke vereisten van de gebruiker aangepast.

⚠ WAARSCHUWING

- Laat de gebruiker niet met het volle gewicht tegen de rugleuning aanleunen, omdat deze nog niet helemaal volgens de torque-specificaties is aangedraaid.

Aanpassing hoogte (Fig. 8.0)

- Stel, met de gebruiker in de stoel, de optimale hoogte van de rugleuning vast.
- Laat de gebruiker gedeeltelijk naar voren glijden of leunen als de optimale hoogte is vastgesteld, zodat de rugleuning aangepast kan worden.
- Maak de bout los (B) en pas de hoogte van de rugplaat aan op de gewenste positie.
- Draai de bout (B) nu stevig vast.
- De aanbevolen draaikracht is volgens de specificatie 75 - 85 in-lbs. (8,5 - 9,3 Nm).

LET OP: Controleer, na het aanpassen van de hoogte of de breedte niet per ongeluk is veranderd bij het aandraaien van de bouten.

Aanpassingen diepte/hoek (Fig. 8.0)

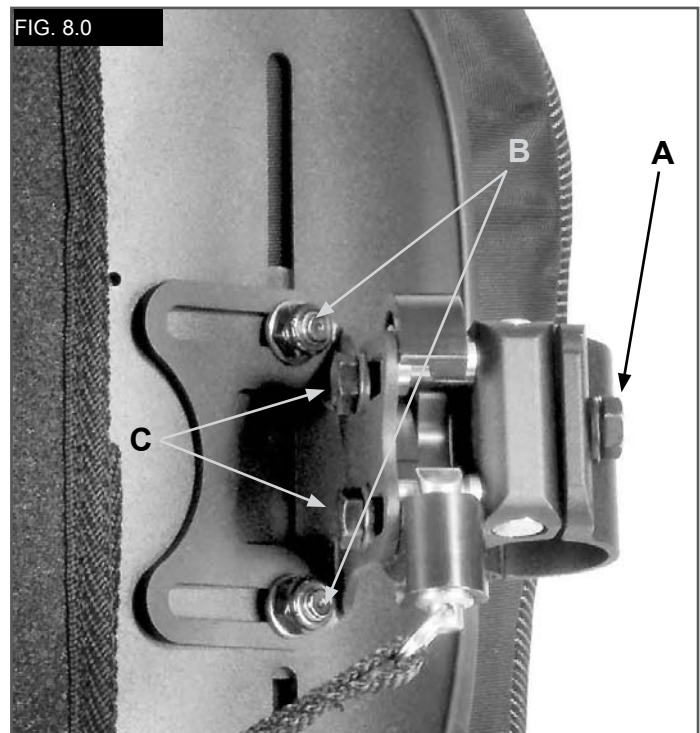
De rugleuning kan 40,5mm (1,6") dieper worden afgesteld, en 76,2mm (3") door de bevestigingsbeugels om te draaien.

- Om de diepte en hoek van de rugleuning aan te passen, draait u de linker- en rechterbout (C) op de gleuven in de beugel los.
- Verstel de diepte en/of hoek en draai de bouten weer goed aan.
- De aanbevolen draaikracht is volgens de specificatie 100 - 110 in-lbs. (11,3 - 12,4 Nm).
- Controleer of geen van de bouten waarmee de diepte wordt veresteld (C) doordraaien.

⚠ WAARSCHUWING

Controleer of alle bevestigingsbeugels goed zijn vastgedraaid wanneer de aanpassingen zijn uitgevoerd en de rugleuning klaar is voor gebruik.

FIG. 8.0



VEILIGHEID VERVOER RUGLEUNING

Deze rugleuning is dynamisch getest voor gebruik op een rolstoel tijdens transport in een motorvoertuig. Volg de gebruiksaanwijzing voor montage, gebruik en onderhoud in deze handleiding nauwkeurig op, evenals de onderstaande gebruiksaanwijzingen voor vervoer.

⚠ WAARSCHUWINGEN

- Indien mogelijk moet de gebruiker worden overgeplaatst in de originele stoel zoals af fabriek geleverd en de veiligheidsgordel van het voertuig gebruiken.
- De afstand tussen de bovenkant van de schouder van de gebruiker en de bovenkant van de rugleuning mag niet meer dan 7,6 cm (3") zijn.
- De rolstoel moet aangemerkt zijn zoals van toepassing voor gebruik als zitplaats in een motorvoertuig, dynamisch getest volgens de prestatie-eisen ISO 7176-19, en dient te zijn gemonteerd, gebruikt en onderhouden volgens instructies van de fabrikant.
- Indien de originele rolstoelzitting vervangen is, moet de nieuwe rolstoelzitting goedgekeurd zijn voor rolstoelvervoer en gemonteerd en gebruikt zoals aangegeven in de gebruiksaanwijzing van de fabrikant.
- Het systeem om de rolstoel en gebruiker van de rolstoel vast te zetten, het WTORS, moet gecombineerd kunnen worden met de specifieke rolstoel, worden gebruikt zoals aangegeven in de gebruiksaanwijzing van de fabrikant en moet overeenkomen met de vereisten zoals gesteld in ISO Standaard 10542.
- De rolstoel moet tijdens transport in voorwaartse richting staan.
- Om de kans op verwondingen tijdens transport bij gebruikers van de rolstoel te verkleinen, dienen aan de rolstoel bevestigde accessoires, zoals werkbladen en niet-essentiële apparatuur, verwijderd en afzonderlijk bewaard te worden.
- Dit product is bedoeld voor gebruikers in gewicht variërend van 10 kg tot 75 kg.
- Positionerende ondersteunende middelen, zoals heupgordels, rompsteunen aan achterzijde of positionerende steunmiddelen zoals laterale rompsteunen, zijn niet bedoeld om de gebruiker op zijn plaats te houden in een bewegend voertuig, tenzij ze zijn aangemerkt conform ISO Standaard 16840-4.
- Zonder overleg met de fabrikant mogen geen wijzigingen of toevoegingen worden gemaakt aan het frame, onderdelen of elementen.
- **WANNEER MEN ZICH NIET HOUDT AAN DEZE INSTRUCTIES KAN DIT ERNSTIGE VERWONDINGEN TOT GEVOLG HEBBEN VOOR DE GEBRUIKER VAN DE ROLSTOEL EN/OF ANDEREN.**

VERWIJDERING EN VERVANGING**Verwijdering**

Na installatie en aanpassing, kan de rugleuning ook weer eenvoudig worden verwijderd.

Om de rugleuning te verwijderen, duwt u de hendel op de achterzijde naar beneden, trekt u de rugleuning omhoog en verwijdert u de rugleuning van de bevestigingsbeugels.

Opnieuw installeren na verwijdering

Om de rugleuning weer aan de beugels te bevestigen, trekt u het koord naar beneden, steekt u de rugleuning in de beugels en duwt u de rugleuning naar beneden.

⚠ WAARSCHUWING

Als u er niet zeker van bent dat u de vergrendelende "klik" heeft gehoord, trek dan de rugleuning omhoog om te garanderen dat hij zeker is vergrendeld.

24 MAANDEN BEPERKTE GARANTIE

Elk JAY ZIP Rugleuning wordt zorgvuldig gecontroleerd en getest om optimale prestaties te leveren.

Iedere JAY ZIP Rugleuning is gegarandeerd vrij van materiaal- en fabricagefouten voor een termijn van 24 maanden, vanaf de datum van aankoop, bij normaal gebruik. Mocht zich onverhoopt toch een materiaal- of fabricagefout voordoen binnen 24 maanden na de oorspronkelijke aankoopdatum, dan wordt het kussen door Sunrise Medical, naar keuze van Sunrise Medical, kosteloos gerepareerd of vervangen.

Deze garantie is niet van toepassing op gaten, slijtage of brandplekken en is evenmin van toepassing op de verwijderbare hoes.

Claims en reparaties dienen plaats te vinden via de dichtstbijzijnde geautoriseerde leverancier.

Met uitzondering van de expliciete garanties die hierbij worden gesteld, zijn alle overige garanties, inclusief de garantie dat het product geschikt is voor het doel waarvoor het wordt aangeschaft, uitgesloten.

Er zijn geen garanties die zich verder uitstrekken dan de beschrijving die hier wordt gegeven.

Genoegdoening voor schending van expliciet hierin gestelde garanties

zijn beperkt tot reparatie of vervanging van de producten. Schadevergoeding voor schending van garanties omvat in geen geval vervolgschade en is nooit hoger dan de aanschafprijs van de producten die niet voldoen.

⚠ ADVERTENCIA

Sunrise Medical recomienda consultar con un médico o un terapeuta experimentado en posicionamiento para determinar si es apropiada la utilización del Respaldo ZIP.

Solo un distribuidor autorizado de Sunrise Medical puede instalar los respaldos.

EL Respaldo JAY ZIP (Fig. 1.0)

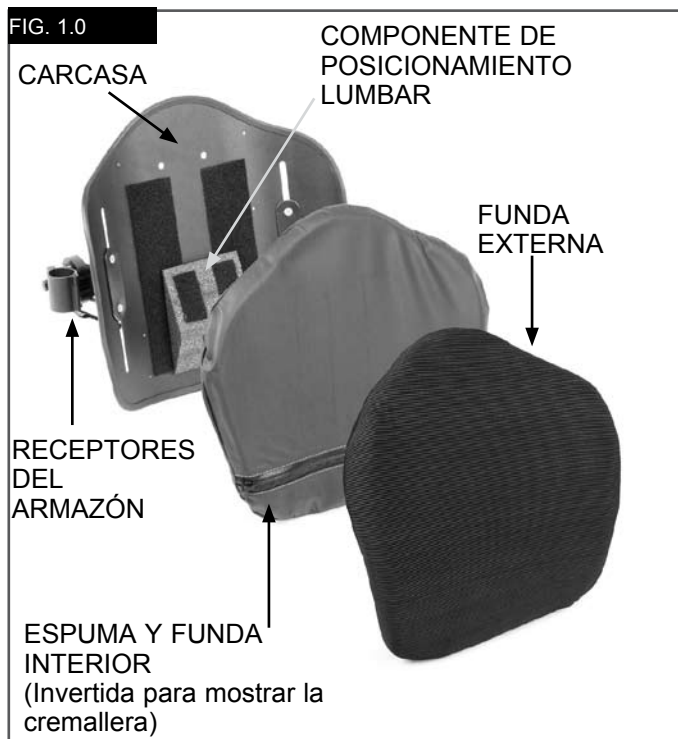
El Respaldo JAY ZIP está diseñado para brindar los beneficios de un apoyo posterior adecuado para una amplia variedad de usuarios pediátricos.

Por su diseño, brinda un apoyo simple, cómodo y efectivo, que ayuda a maximizar el movimiento y a aumentar la tolerancia en posición sentada. Asimismo, es de peso liviano, durable y resulta fácil de usar.

Peso máximo del usuario: 75 kg

⚠ ADVERTENCIAS

- Instalar un respaldo en la silla de ruedas puede afectar el centro de gravedad de la misma y provocar que la silla de ruedas vuelque hacia atrás, con posibilidad de causar lesiones.
- Evalúe siempre la necesidad de instalar en la silla de ruedas anti-vuelcos o soportes de adaptación de ejes para amputados, a fin de aumentar la estabilidad.
- No utilice el respaldo para empujar o levantar la silla de ruedas. Un uso inapropiado puede provocar que el respaldo se desprenda inesperadamente de la silla de ruedas.
- No utilice la empuñadura del respaldo para levantar la silla de ruedas. Esta empuñadura sólo está diseñada para la extracción del respaldo.



MANTENIMIENTO

- Sunrise recomienda que verifique cada seis meses todos los anclajes para detectar signos de desgaste, tornillos flojos o componentes rotos.
- Los tornillos flojos deben ajustarse según las instrucciones de instalación.
- Todas las abrazaderas deben ajustarse de acuerdo con las especificaciones de ajuste, según lo estipulado en la sección de instalación del sistema de fijaciones.
- Comuníquese con su distribuidor autorizado de Sunrise Medical inmediatamente para reemplazar cualquier componente dañado.

⚠ ADVERTENCIA

- Suspenda el uso del sistema si identifica algún componente flojo o roto.

NOTA: Hemos incluido una llave con el respaldo para su comodidad.

FÁCIL DE LIMPIAR (Fig. 2.0)

⚠ PRECAUCIÓN

Al desmontar el respaldo para realizar la limpieza, tenga en cuenta la posición de los componentes de posicionamiento lumbar con Velcro® para volver a colocarlos correctamente.

Para limpiar la funda del respaldo

Retire la funda despegando el Velcro. Separe la funda de la estructura del respaldo. Localice el cierre de la parte inferior de la funda y ábralo. Extraiga la espuma con la funda interior y dé vuelta la funda de dentro hacia fuera. Cierre la cremallera de la funda y evite que se enganche. Lavar a máquina en agua tibia (60° C) Seque al natural o a máquina a baja temperatura.

⚠ PRECAUCIÓN

- No limpie las fundas en tintorería ni use lavadoras y secadoras industriales.
- No las meta en autoclave de vapor.
- No use cloro.
- Vuelva a colocar la espuma con la funda interior dentro de la funda principal.

NOTA: La base contiene dos capas de espuma. Al volver a colocar la espuma, procure que la capa más delgada y firme, de color gris claro apunte a la carcasa, mientras que la espuma más mullida debe apuntar al usuario.

Una vez que la espuma esté perfectamente colocada dentro de la funda, cierre la cremallera para finalizar.

Para limpiar la carcasa posterior y la funda interior

La carcasa y la funda interior se pueden limpiar utilizando un paño humedecido con agua y jabón. No se requiere ningún otro mantenimiento.

Para limpiar los componentes de posicionamiento

Los componentes de posicionamiento pueden limpiarse con agua y jabón.

⚠ PRECAUCIÓN

- No sumerja los componentes de posicionamiento en agua.

Si tiene dudas acerca del procedimiento de limpieza, comuníquese con un distribuidor autorizado de Sunrise Medical.


SÍMBOLOS PARA EL CUIDADO EN EL LAVADO	
	Lavar a máquina en agua tibia (60° C)
	Utilizar sólo lejía sin cloro, en casos necesarios
	Secar al natural
	No planchar
	No lavar en seco

FIG. 2.0

COMPATIBILIDAD

Tipos de sillas de ruedas

El Respaldo ZIP está diseñado para ser compatible con la mayoría de las sillas de ruedas con las siguientes excepciones:

⚠ ADVERTENCIA

- No deben utilizarse sillas de ruedas que sean ajustables angularmente, reclinables o basculantes, y que lleguen a un ángulo mayor de 60 grados.
- Utilizar estos tipos de silla de ruedas puede hacer que el respaldo se suelte accidentalmente de la silla de ruedas, provocando una caída y una posible lesión.

Dimensiones de sillas de ruedas

El Respaldo JAY ZIP está diseñado para sustituir la tapicería de la parte posterior de la silla de ruedas. Antes de la instalación, determine si la silla de ruedas utilizada consta de tubos de respaldo compatibles; para comprobarlo, mida la anchura los tubos, tal como se ve en la Figura 3.0.

Con esa medida, consulte la Figura 4.0 que aparece a continuación para ver si los tubos posteriores son de la anchura correcta.

Después, compruebe que los tubos del respaldo son de un diámetro compatible.

Las piezas de ajuste del Respaldo ZIP pueden colocarse en los tubos del respaldo de la silla de ruedas que tengan un diámetro de 19 mm (3/4") (con añadido), 22-23 mm (7/8") (con añadido) o 25-25,5 mm(1") (sin añadido). (Fig. 5.0).

⚠ PRECAUCIÓN

Si no puede determinar que los tubos del respaldo sean compatibles, póngase en contacto con su distribuidor autorizado de Sunrise Medical o con el servicio de atención al cliente de Sunrise Medical.

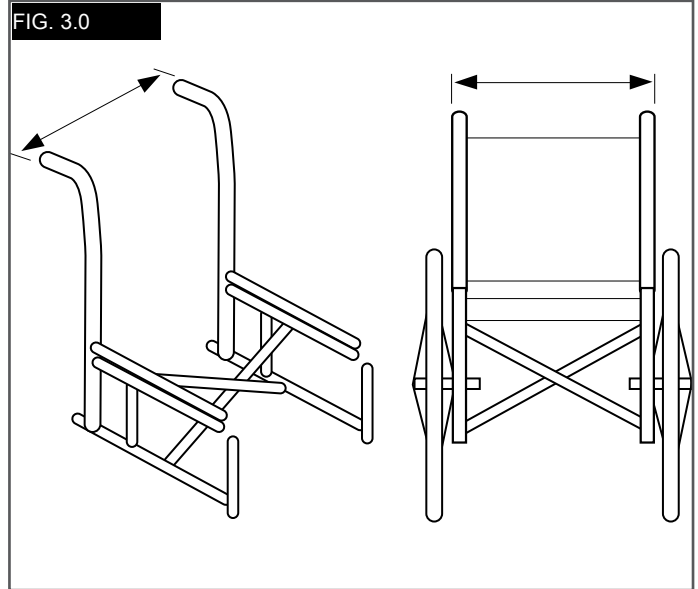
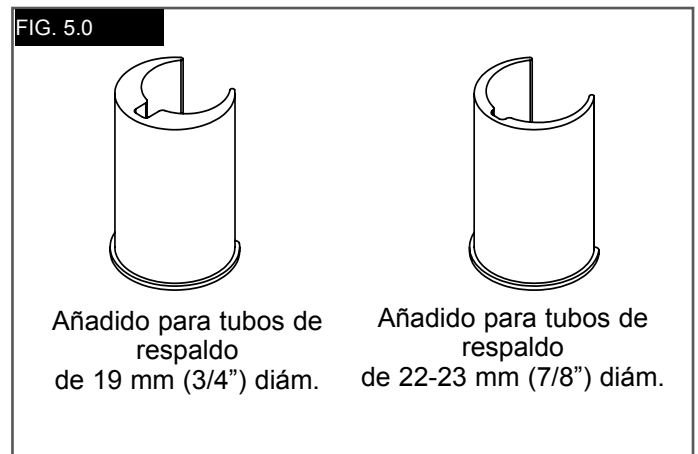


FIG. 4.0		Anchura de los tubos del respaldo medidos desde las caras externas de los tubos (Fig. 3.0)			
Anchura del Respaldo ZIP* (todos los contornos)	Anchura mínima Pulgadas mm	Anchura máxima Pulgadas mm			
8" (20 cm)	7,875	20,00	9,125	23,18	
10" (25 cm)	9,875	25,00	11,125	28,26	
12" (30 cm)	11,875	30,16	13,125	33,34	
14" (35 cm)	13,875	35,24	15,125	38,42	



INSTALACIÓN DE LAS PIEZAS DEL SISTEMA DE FIJACIÓN Y MONTAJE

Por favor lea las siguientes instrucciones antes de dar comienzo a la instalación.

Para instalar el Respaldo JAY ZIP, comience sin el usuario en la silla.

Una vez que el respaldo está instalado, y sólo se necesitan hacer pequeños ajustes, el usuario podrá volver a sentarse en la silla de ruedas.

**Herramienta necesaria (incluida)
Llave de 10 mm**



Instrucciones para la instalación de las piezas de fijación (Fig. 6.0)

- Retire el respaldo existente de la silla de ruedas siguiendo las instrucciones del fabricante.
- Determine visualmente la ubicación deseada de los receptores en los tubos del respaldo de la silla de ruedas.
- Las piezas del sistema de fijación deben estar montadas a una altura equidistante en cada tubo posterior y paralelas al armazón del asiento.
- Cuanto más alta la ubicación de los tubos del respaldo, mejor.

Inserte los receptores del armazón.

- Afloje los tornillos de la abrazadera (A) con la llave de 10 mm incluida. **NOTA:** Para tubos de mayor diámetro, quizá sea necesario extraer totalmente los tornillos de la abrazadera.
- Inserte y alinee el receptor a los tubos del respaldo de la silla de ruedas.
- Ajuste los tornillos de la abrazadera a mano (A).

NOTA: Es posible que los receptores necesiten ajuste lateral adicional para garantizar la alineación apropiada.

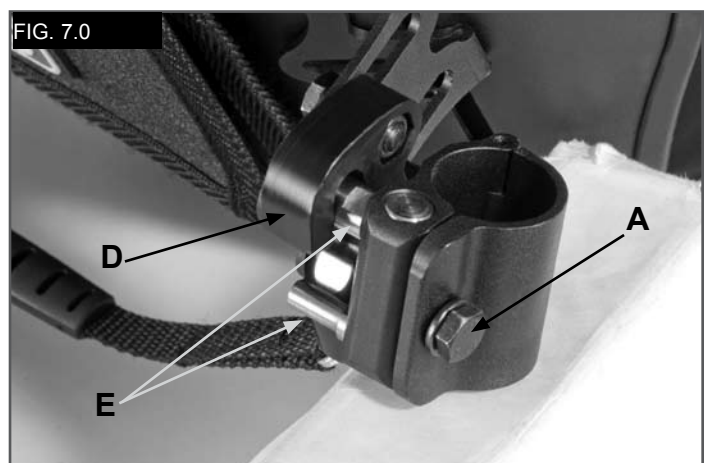
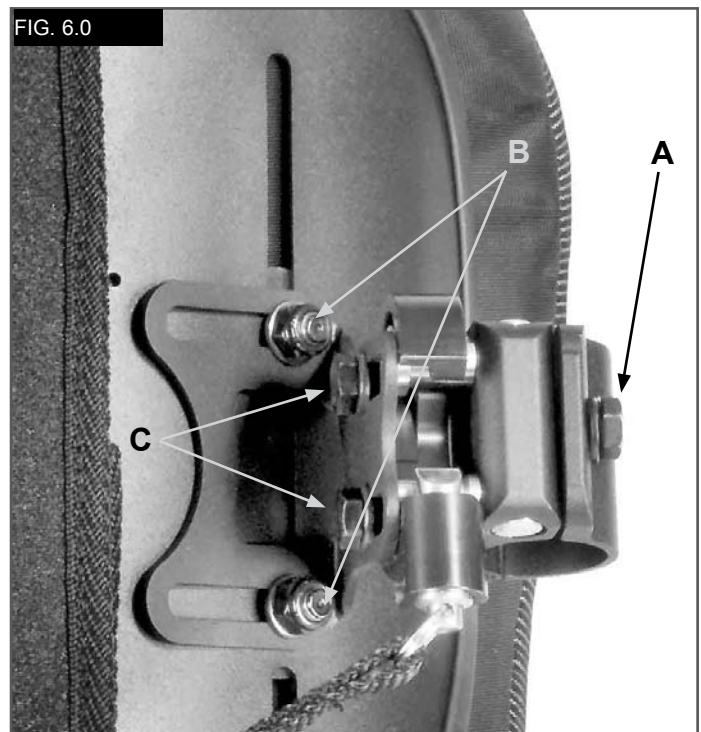
Inserción y alineación de la carcasa del respaldo (Figs. 6.0-7.0)

- Afloje las tuercas de los soportes (B) y los tornillos del pasador de montaje (C) utilizando la llave de 10 mm hasta que las piezas del sistema de fijación se deslicen fácilmente en todas direcciones.
- Inserte el respaldo ZIP en los receptores del sistema de fijación colocando los ganchos de montaje izquierdo y derecho (D) en los receptores izquierdo y derecho (E).
- Coloque el respaldo en la posición deseada aproximada, en relación con el usuario y con la silla.
- Ajuste los tornillos en el interior de los ganchos de montaje (F).
- La torsión de ajuste recomendada es de entre 100 y 110 pulg-lbs. (11,3 - 12,4 Nm). **NOTA-** Es posible que la profundidad y el ángulo del respaldo necesiten un ajuste adicional para garantizar una posición adecuada para el usuario.
- Ajuste las tuercas del soporte (B). La torsión de ajuste recomendada es de entre 75 y 85 pulg-lbs. (8,5 - 9,3 Nm).

NOTA: Es posible que la altura del respaldo necesite un ajuste adicional para garantizar una posición adecuada para el usuario.

- Compruebe el sistema de extracción del respaldo tirando de la palanca de extracción del respaldo y separando el respaldo de la silla. (Para más información, consulte la sección Retirada y nueva colocación).
- La alineación de las piezas de ajuste, montaje y respaldo será correcta si la instalación y la liberación pueden realizarse fácilmente.
- Si no se ha conseguido una alineación apropiada, ajuste los componentes hasta que queden correctamente alineados.
- Una vez bien alineados, ajuste los tornillos de la abrazadera del receptor.

NOTA: La torsión de ajuste recomendada es de entre: 75 y 85 pulg-lbs (8,5 - 9,3 Nm).



AJUSTE DE JAY ZIP EN ALTURA, PROFUNDIDAD Y ÁNGULO

Con el usuario en la silla, modifique la altura, profundidad y ángulo del respaldo hasta lograr la ubicación deseada del usuario.

⚠ ADVERTENCIA

- No permita que el usuario ejerza demasiada presión sobre el respaldo, ya que no está apretado totalmente según las especificaciones de torsión.

Ajuste de la altura (Fig. 8.0)

- Con el usuario sentado en la silla, seleccione la altura deseada del respaldo.
- Una vez seleccionada, solicite al usuario que aligere la presión sobre el respaldo, incorporándose o deslizándose parcialmente hacia delante, para poder llevar a cabo el ajuste final.
- Afloje las tuercas del soporte (B) y ajuste la altura de la estructura del respaldo en la posición deseada.
- Ajuste con firmeza las tuercas del soporte (B).
- La torsión de ajuste recomendada es de entre 75 y 85 pulg-lbs. (8,5 - 9,3 Nm).

NOTA: Cuando haya completado el ajuste de altura, compruebe que la anchura no se haya modificado inadvertidamente al ajustar las tuercas.

Ajuste de ángulo y profundidad (Fig. 8.0)

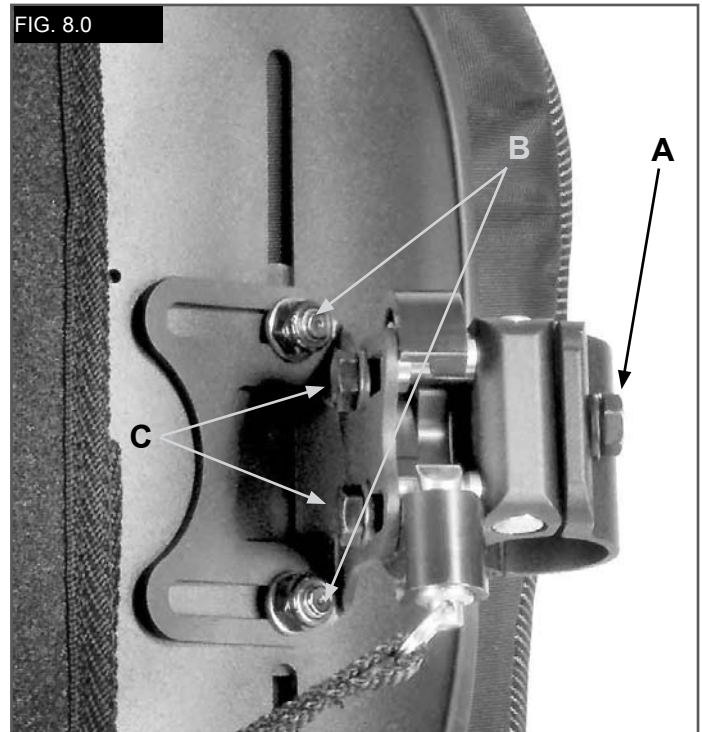
Las piezas de fijación permiten un ajuste de profundidad anterior de 40,5 mm (1.6"); 76,2 mm (3") con piezas de fijación inversas.

- Para ajustar la profundidad y ángulo del asiento, afloje los tornillos izquierdo y derecho (C) en las ranuras del soporte.
- Ajuste la altura y/o el ángulo y fíjelos con firmeza.
- La torsión de ajuste recomendada es de entre 100 y 110 pulg-lbs. (11,3 - 12,4 Nm).
- Compruebe que ninguna de las tuercas de ajuste de profundidad (C) se deslicen o roten.

⚠ ADVERTENCIA

Compruebe que las piezas de fijación estén ajustadas correctamente una vez que todos los ajustes se hayan completado y el respaldo esté listo para ser utilizado.

FIG. 8.0



SEGURIDAD EN TRÁNSITO DEL RESPALDO

Este respaldo ha sido probado dinámicamente para su utilización en una silla de ruedas transportada en un vehículo a motor.

Siga todas las instrucciones de instalación, uso y mantenimiento que se incluyen en este manual además de las instrucciones de transporte citadas a continuación.

⚠ ADVERTENCIAS

- Si fuera posible y viable, el usuario de la silla debe ser transferido al asiento propio del vehículo y utilizar los elementos de fijación del mismo vehículo.
- La distancia entre la parte superior del hombro del usuario y la parte superior de la carcasa del respaldo no debe exceder los 7,6 cm (3").
- La silla de ruedas debe contener la especificación de uso apropiado como asiento en un vehículo de motor, y debe estar dinámicamente probada según los requisitos de rendimiento de prueba de la norma ISO 7176-19. Además, debe ser instalada, usada y mantenida según las instrucciones del fabricante.
- Si el asiento original de la silla de ruedas fue reemplazado, el nuevo asiento debe contar con la aprobación para sillas de ruedas en vehículos de transporte. Además debe ser instalado y usado según las instrucciones del fabricante.
- El sistema de sujeción de seguridad en vehículos de transporte (WTORS) debe ser compatible con la silla de ruedas, debe cumplir con los requisitos de rendimiento de la norma ISO 10542 y debe ser usado según las instrucciones del fabricante.
- La silla de ruedas debe ser ubicada mirando hacia delante durante el transporte.
- Para reducir el riesgo de lesiones potenciales en los ocupantes del vehículo, los accesorios opcionales que se montan en la silla de ruedas, tales como bandejas o equipamiento no esencial, deben extraerse y guardarse en un sitio seguro para el transporte.
- Este producto está diseñado para ser utilizado por usuarios cuyo peso varíe entre los 10 y los 75 kg.
- No deben considerarse como sistemas de sujeción de seguridad los dispositivos de soporte postural, tales como cinturones de posicionamiento pélvicos, soporte torácico o demás soportes posturales, como los torácicos laterales para un vehículo en movimiento, a menos que cumplan con la norma ISO 16840-4.
- No se deben efectuar alteraciones ni sustituciones en la estructura, piezas o componentes sin antes consultar con el fabricante.
- **SI NO SIGUE ESTAS ADVERTENCIAS, PUEDE PROVOCAR LESIONES GRAVES AL USUARIO DE LA SILLA DE RUEDAS O DEMÁS PASAJEROS.**

EXTRACCIÓN Y REINSTALACIÓN**Extracción**

Habiendo explicado los pasos para la instalación y el ajuste, también puede extraer fácilmente el respaldo de la silla de ruedas de ser necesario.

Para ello, tire del respaldo hacia abajo, rote hacia arriba y, a continuación, separe el respaldo de los receptores del armazón.

Reinstalación apropiada tras la extracción

Para volver a colocar el respaldo en los receptores del armazón, tire del cordón, inserte el respaldo en los receptores y rote hacia abajo.

⚠ ADVERTENCIA

Si no está seguro de haber escuchado el "clic", tire hacia arriba del respaldo para comprobar que este ha quedado colocado correctamente.

GARANTÍA LIMITADA DE 24 MESES

Cada Respaldo JAY ZIP es inspeccionado y probado cuidadosamente para proporcionar el mejor servicio. Cada Respaldo JAY ZIP está garantizado contra defectos de materiales o de mano de obra por un período de 24 meses a partir de la fecha de compra, si se usa de manera normal. En caso de presentarse defectos en los materiales o mano de obra dentro del período de 24 meses a partir de la fecha de compra original, Sunrise Medical a su criterio lo reparará o reemplazará sin cargo alguno.

Esta garantía no se aplica a los pinchazos, rupturas o quemaduras, ni a la funda extraíble del respaldo.

Las reclamaciones y reparaciones serán procesadas a través del distribuidor autorizado más cercano.

Con excepción de las garantías expresas aquí establecidas, se excluyen todas las demás garantías, incluyendo las garantías implícitas de comercialización y las garantías de idoneidad para un propósito en particular.

No existe ninguna garantía que se extienda fuera de la descripción aquí establecida.

Los remedios por violaciones de las garantías expresas aquí establecidas se encuentran limitadas a la reparación o reemplazo de los bienes.

Los daños por violación de cualquier garantía en ningún caso incluirán ningún daño consecuencial ni excederá el costo de los bienes vendidos fuera de especificaciones.

⚠ AVERTISSEMENT

Sunrise Medical recommande de consulter un médecin ou un thérapeute spécialisé dans l'assise et le positionnement afin de déterminer si le dossier ZIP est approprié pour l'utilisateur.

Les dossiers doivent impérativement être installés par un fournisseur Sunrise Medical agréé.

Le dossier JAY ZIP (Fig. 1.0)

Le dossier JAY ZIP est conçu pour fournir les avantages incontournables d'un bon support dorsal au plus grand nombre d'utilisateurs pédiatriques.

Il a été conçu pour fournir un support simple, confortable et efficace afin d'optimiser la fonction et d'accroître la tolérance d'assise. En outre, il est léger, durable et facile à utiliser.

Poids maximum de l'utilisateur : 75 kg

⚠ AVERTISSEMENTS

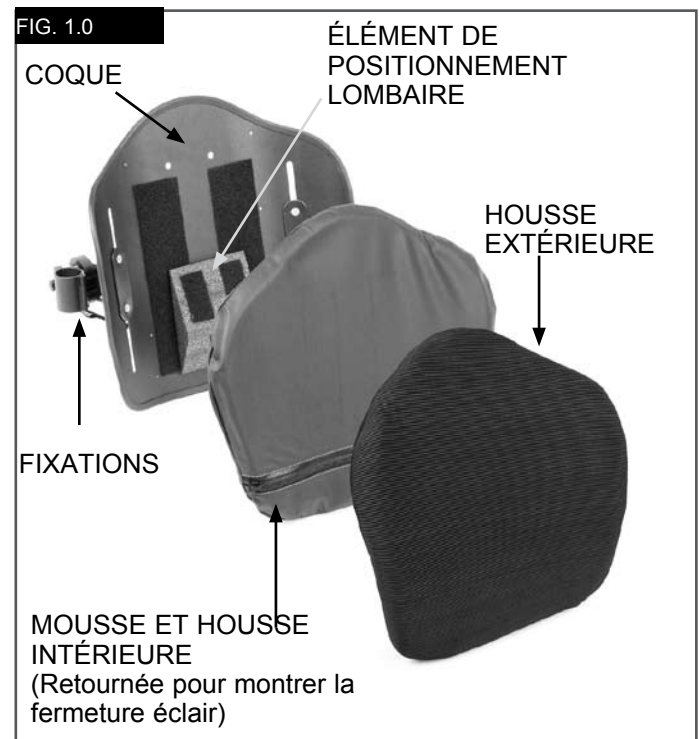
L'installation d'un support dorsal sur un fauteuil roulant peut avoir une incidence sur son centre de gravité.

Cela pourrait faire basculer le fauteuil en arrière et éventuellement entraîner des blessures.

Toujours tester la stabilité du fauteuil et, si nécessaire, ajouter des roulettes anti-bascule ou des supports d'adaptateur d'axe pour les personnes à qui il manque un membre.

Ne pas utiliser le dossier pour pousser ou soulever le fauteuil car le dossier pourrait se détacher accidentellement du fauteuil.

Ne pas utiliser la poignée du dossier pour soulever le fauteuil. Celle-ci sert au retrait du dossier.



Entretien

- Sunrise recommande de vérifier toutes les attaches tous les 6 mois afin de déceler toute trace d'usure, comme des boulons desserrés ou des pièces cassées.
- Les attaches desserrées doivent être resserrées en respectant les consignes fournies dans le mode d'emploi.
- Toutes les attaches doivent être resserrées selon les couples de serrage indiqués au chapitre Montage des fixations.
- Contacter immédiatement un fournisseur Sunrise Medical agréé pour le remplacement d'une pièce cassée.

⚠ AVERTISSEMENT

- Arrêter d'utiliser le dispositif après avoir identifié des pièces desserrées ou cassées.

REMARQUE : Par souci de commodité, une clé est fournie avec le dossier.

Nettoyage Facile (Fig. 2.0)**⚠ ATTENTION**

Lors du désassemblage du dossier pour le nettoyer, veuillez noter la position des éléments de positionnement lombaire Velcro® afin de réassembler le dossier correctement.

Nettoyage de la housse du dossier

Détachez la bande Velcro afin de dégager la housse. Retirez la housse de la coque du dossier. Repérez la fermeture Eclair au bas de la housse et ouvrez-la.

Retirez la mousse avec la housse intérieure et retournez la housse. Refermez la fermeture Eclair pour éviter les accrocs.

Lavez en machine à l'eau tiède (60°C).

Laissez sécher à l'air libre ou dans un sèche-linge à basse température.

⚠ ATTENTION

- Pas de nettoyage à sec, ni de lavage ou séchage industriel de la housse.
- Ne pas placer la housse dans une autoclave.
- Pas d'eau de Javel.
- Réinsérez la mousse avec sa housse intérieure dans la housse.

REMARQUE : La base est composée de deux couches de mousse. Lors de la réinsertion de la mousse, veuillez à bien placer la mousse gris clair plus mince et plus ferme tournée vers la coque et la mousse plus molle vers l'utilisateur.

Une fois la mousse placée à l'intérieur de la housse, refermez la fermeture Eclair.

Nettoyage de la coque du dossier et de la housse intérieure

La coque et la housse intérieure peuvent être nettoyées à l'aide d'un chiffon et d'eau savonneuse.

Le dossier ne devrait normalement pas nécessiter plus d'entretien.

Nettoyage des éléments de positionnement

Les éléments de positionnement peuvent être nettoyés à l'eau savonneuse.

⚠ ATTENTION

- N'immergez pas les éléments de positionnement dans l'eau.

Pour toute autre question sur les procédures de nettoyage, contactez votre revendeur Sunrise Medical.






SYMBOLES DE NETTOYAGE	
	Lavez en machine à l'eau tiède (60°C).
	Si nécessaire, n'utilisez que des agents non chlorés de blanchiment
	Laissez sécher naturellement
	Ne pas repasser
	Pas de nettoyage à sec

FIG. 2.0

Compatibilité**Types de fauteuils roulants**

Le dossier ZIP est conçu pour être compatible avec la majorité des fauteuils roulants à l'exception des modèles suivants :

⚠ AVERTISSEMENT

- Fauteuils à dossier réglable en angle, inclinable et à inclinaison d'assise, résultant en un angle d'inclinaison du dossier supérieur à 60° par rapport à la verticale.
- L'utilisation du dossier avec ces types de fauteuils roulants présente le risque de le voir se détacher accidentellement du fauteuil et de causer une chute et des blessures graves.

Les dimensions du fauteuil

Le dossier JAY ZIP est conçu pour remplacer la toile de dossier d'un fauteuil roulant.

Avant le montage, déterminez si le fauteuil roulant utilisé possède des montants compatibles en mesurant la largeur entre les montants de dossier, comme indiqué sur la Figure 3.0.

À l'aide de cette mesure, consultez la Figure 4.0 afin de déterminer si le dossier est compatible avec votre fauteuil.

Vérifiez ensuite que le diamètre des montants est compatible.

Les éléments du dossier ZIP peuvent être fixés sur des montants mesurant 19 mm de diamètre (avec bague), 22-23 mm (avec bague) ou 25-25,5 mm (sans bague). (Fig. 5.0).

⚠ ATTENTION

Si vous ne parvenez pas à déterminer la compatibilité des montants du dossier de votre fauteuil, contactez votre revendeur Sunrise Medical agréé ou le service clients Sunrise Medical.

FIG. 3.0

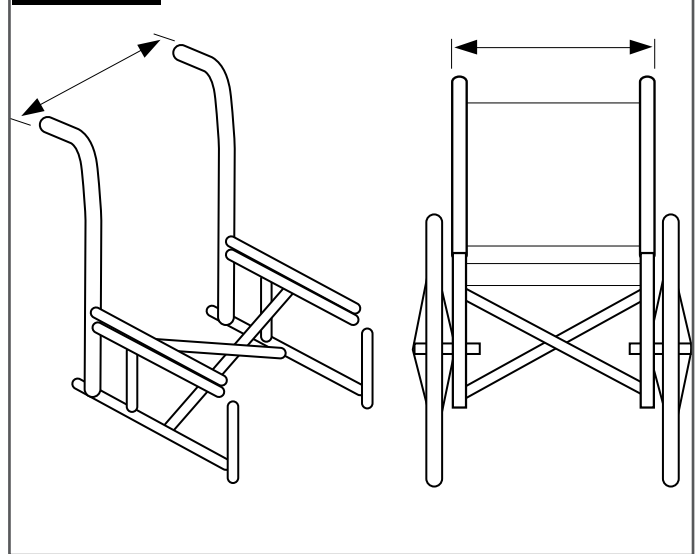
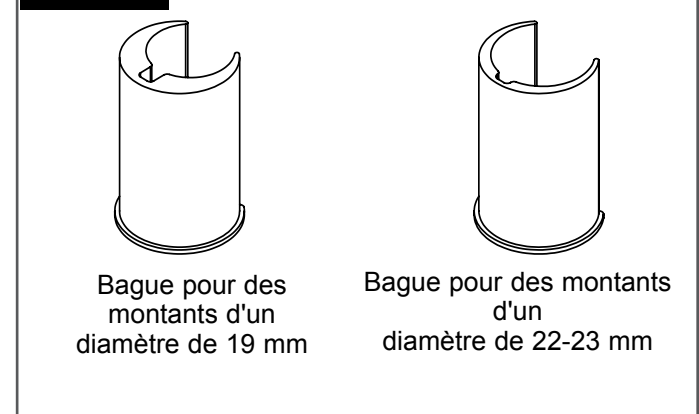


FIG. 4.0

		Largeur entre les montants du dossier à partir des parties extérieures des montants (Fig. 3.0)			
Largeur du dossier ZIP* (tous types de galbes)	Largeur minimale		Largeur maximale		
	Pouces	mm	Pouces	mm	
8" (20 cm)	7,875	20,00	9,125	23,18	
10" (25 cm)	9,875	25,00	11,125	28,26	
12" (30 cm)	11,875	30,16	13,125	33,34	
14" (35 cm)	13,875	35,24	15,125	38,42	

FIG. 5.0



Bague pour des montants d'un diamètre de 19 mm

Bague pour des montants d'un diamètre de 22-23 mm

Installation Des Éléments De Fixation

Veillez lire les consignes suivantes avant de procéder au montage.

Commencez le montage du dossier JAY ZIP sans que l'utilisateur ne soit assis dans le fauteuil.

Une fois le dossier installé, vous pouvez procéder aux divers petits réglages avec l'utilisateur installé dans le fauteuil.

Outil requis (fourni) Clé de 10 mm



Consignes relatives au montage des fixations (Fig. 6.0)

- Ôtez le dossier d'origine du fauteuil en suivant les consignes du fabricant.
- Déterminez visuellement l'emplacement des fixations sur les montants du dossier du fauteuil.
- Les fixations doivent être situées approximativement à la même hauteur sur chaque montant et parallèlement au cadre du siège.
- En général, il est préférable de placer les fixations relativement haut sur les montants.

Placez les fixations.

- Desserrez les vis de serrage (A) à l'aide de la clé de 10 mm. REMARQUE : si le diamètre des montants est important, il sera éventuellement nécessaire d'enlever complètement les vis de serrage.
- Placez et alignez les fixations sur les montants du dossier du fauteuil.
- Serrez les vis de serrage (A) à la main.

REMARQUE : il s'avèrera peut-être nécessaire de régler les fixations également latéralement pour être sûr qu'elles sont bien alignées.

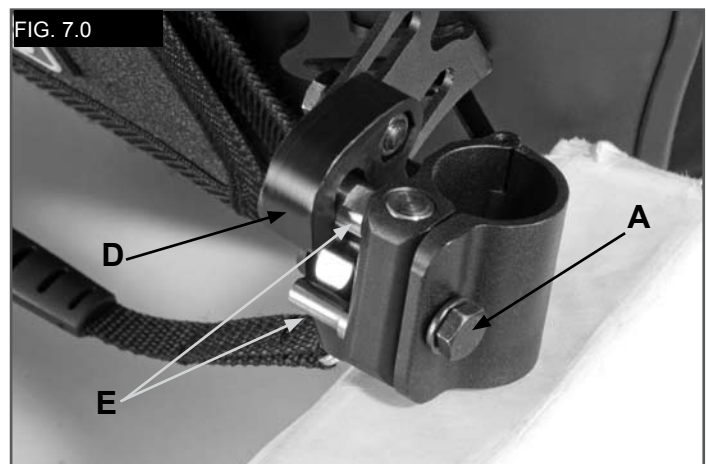
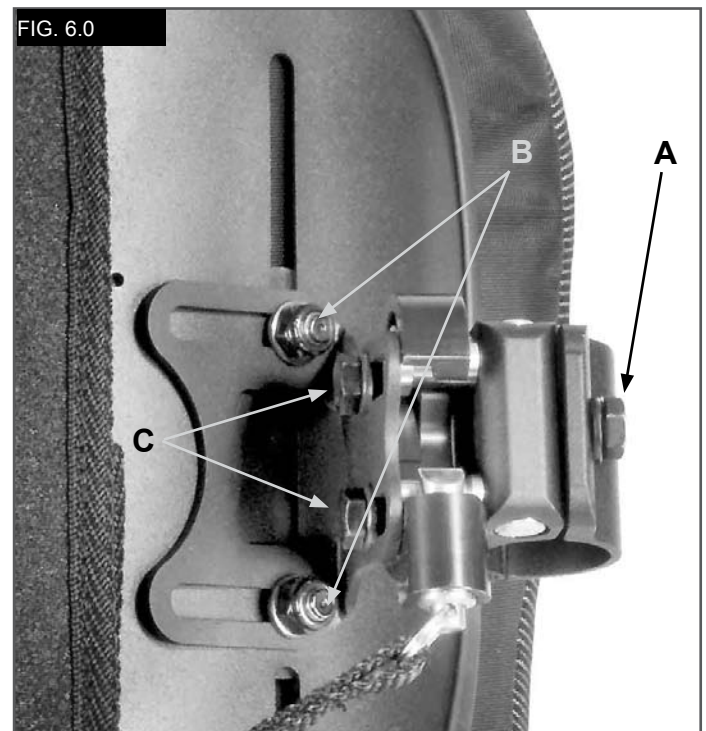
Fixation et alignement de la coque du dossier (Figs. 6.0-7.0)

- Desserrez les boulons des fixation (B) et les goupilles (C) à l'aide de la clé de 10 mm jusqu'à ce que les fixations puissent bouger facilement dans toutes les directions.
- Fixez le dossier ZIP aux fixations en insérant les crochets de fixation (D) gauche et droit (D) dans les fixations (E) gauche et droite.
- Placez le dossier dans sa position approximative, en fonction du fauteuil et de l'utilisateur.
- Serrez les boulons sur l'intérieur des crochets de fixation (D).
- Le couple de serrage recommandé est de 11,3 - 12,4 Nm. REMARQUE : vous devrez éventuellement régler la profondeur et l'inclinaison du dossier pour optimiser le confort de l'utilisateur.
- Serrez les écrous de la plaque de support (B). Le couple de serrage recommandé est de 8,5 - 9,3 Nm.

REMARQUE : vous devrez éventuellement régler la hauteur du dossier pour optimiser le confort de l'utilisateur.

- Essayez de retirer le dossier en appuyant sur la poignée de libération du dossier et en retirant le dossier du fauteuil. (Pour de plus amples informations, reportez-vous à la section Retrait et remplacement.)
- Si vous parvenez à installer et à libérer le dossier sans forcer, c'est que l'alignement entre la fixation et le dossier est bon.
- En cas de mauvais alignement, procédez au réglage des éléments jusqu'à ce qu'ils soient bien alignés.
- Lorsque l'alignement est correct, serrez les vis de serrage des fixations.

REMARQUE : Le couple de serrage recommandé est de 8,5 - 9,3 Nm.



Réglage De La Hauteur, De La Profondeur Et De L'angle Du Dossier Jay

Après avoir installé l'utilisateur dans son fauteuil, modifiez la hauteur, la profondeur et l'angle du dossier afin de répondre aux besoins spécifiques de l'utilisateur.

⚠ AVERTISSEMENT

- Demandez à l'utilisateur de ne pas complètement s'appuyer contre le dossier car celui-ci n'est pas encore serré aux couples de serrage requis.

Réglage de la hauteur (Fig. 8.0)

- Après avoir installé l'utilisateur dans son fauteuil, déterminez la hauteur requise du dossier.
- Une fois la hauteur déterminée, demandez à l'utilisateur de se dégager délicatement du dossier en se penchant ou en glissant légèrement vers l'avant, de sorte à pouvoir procéder au réglage.
- Desserrez les écrous de la plaque de support (B) et réglez la coque du dossier à la hauteur désirée.
- Resserrez les écrous de la plaque (B).
- Le couple de serrage recommandé est de 8,5 - 9,3 Nm.

REMARQUE : Une fois la hauteur réglée, vérifiez que la largeur n'ait pas été modifiée par inadvertance lors du serrage des boulons.

Réglage de la profondeur et de l'angle d'inclinaison (Fig. 8.0)

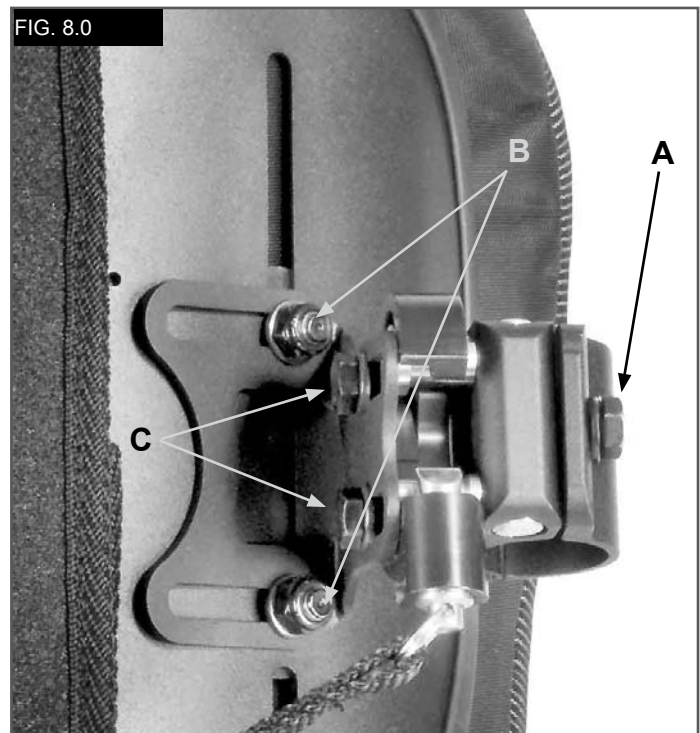
Les fixations permettent d'ajuster la profondeur antérieure de 40,5 mm, et 76,2 mm en retournant les fixations.

- Pour régler la profondeur et l'angle du dossier, desserrez les boulons gauche et droite (C) des rainures de fixation.
- Réglez la profondeur et/ou l'angle d'inclinaison, puis resserrez les écrous.
- Le couple de serrage recommandé est de 11,3 - 12,4 Nm.
- Assurez-vous qu'aucun écrou de réglage de la profondeur (C) ne puisse glisser ou pivoter.

⚠ AVERTISSEMENT

Vérifiez le bon serrage de toutes les fixations une fois que les réglages sont terminés et que le dossier est prêt à l'emploi.

FIG. 8.0



Sécurité À Bord D'un Véhicule Motorisé

Ce dossier a subi des tests dynamiques pour une utilisation sur un fauteuil roulant transporté à bord d'un véhicule motorisé.

Veuillez suivre toutes les instructions relatives à l'installation, à l'utilisation et à l'entretien, énoncées ci-dessous.

AVERTISSEMENTS

- Dans la mesure du possible, l'utilisateur doit prendre place dans le siège du véhicule et utiliser la ceinture de sécurité du véhicule.
- La distance entre le haut des épaules de l'utilisateur et le haut de la coque du dossier ne doit pas dépasser 7,6 cm.
- Le fauteuil roulant doit porter une étiquette d'homologation attestant qu'il peut être utilisé comme siège dans un véhicule motorisé ; il doit avoir subi un test dynamique conformément aux exigences de la norme ISO Standard 7176-19 ; et il doit avoir été installé, utilisé et entretenu conformément aux instructions du fabricant.
- Si le siège d'origine du fauteuil roulant a été remplacé, le nouveau siège doit être homologué pour le transport à bord d'un véhicule, avoir été installé et être utilisé conformément aux instructions du fabricant.
- Le système d'attache du fauteuil roulant et le système de retenue de l'occupant doivent être compatibles avec le fauteuil roulant utilisé ; ils doivent être utilisés conformément aux instructions du fabricant et doivent être conformes aux exigences de performance de la norme ISO 10542.
- Le fauteuil doit toujours faire face à la route pendant le transport.
- Afin de réduire le risque de blessure pour les occupants du véhicule, les accessoires fixés au fauteuil, tels que des tablettes et des équipements secondaires, doivent être retirés et rangés séparément de manière sûre.
- Ce produit est conçu pour une utilisation par des personnes pesant entre 10 et 75 kg.
- Les dispositifs de maintien postural, comme les sangles de positionnement du bassin ou les supports antérieurs ou latéraux pour le tronc, ne doivent tenir lieu de dispositif de retenue de l'occupant lors du transport à bord d'un véhicule en déplacement, à moins d'avoir été clairement identifiés comme conformes à la norme ISO 16840-4.
- Ne modifiez et ne remplacez pas la structure, les pièces ou les composants du fauteuil, sans avoir préalablement demandé l'avis du fabricant.
- **LE NON-RESPECT DES INSTRUCTIONS ÉNONCÉES PEUT EXPOSER LES OCCUPANTS DU VÉHICULE ET TOUTE AUTRE PERSONNE À DE GRAVES BLESSURES.**

Retrait Et Remplacement**Retrait**

Après l'avoir installé et l'avoir réglé, le dossier peut s'enlever facilement du fauteuil, en cas de besoin. Pour le retirer, appuyez sur la poignée du dossier en la faisant tourner vers le haut, puis retirez les fixations.

Réinstallation du dossier

Pour réinstaller le dossier sur les fixations, tirez sur la corde, insérez le dossier dans les fixations et faites tourner.

⚠ AVERTISSEMENT

Si vous n'êtes pas sûr d'avoir entendu le « click » de verrouillage, tirez sur le dossier afin de vérifier qu'il est installé de manière sûre.

Garantie Limitée De 24 Mois

Chaque dossier JAY ZIP est inspecté et testé avec grand soin pour fournir une performance optimale. Tous les dossiers JAY ZIP sont garantis contre les défauts de matériaux et de fabrication pour une période de 24 mois à compter de la date d'achat et en cas d'utilisation normale. Si un défaut de matériau ou de fabrication venait à apparaître au cours des 24 premiers mois à compter de la date d'achat d'origine, Sunrise Medical pourra, à sa discrétion, le réparer ou le remplacer gratuitement.

Cette garantie ne s'applique pas aux trous, déchirures ou brûlures, ni à la housse amovible du dossier.

Les réclamations et réparations doivent être effectuées auprès de votre fournisseur agréé le plus proche.

Outre les garanties expresses décrites dans le présent document, toutes les autres garanties, y compris les garanties tacites de commercialité et les garanties de conformité à une fin particulière, sont exclues.

Aucune garantie ne s'étend au-delà des présentes dispositions.

Les recours pour non-respect des garanties expresses décrites sont limités à la réparation ou au remplacement de la marchandise.

En aucun cas, les dédommagements pour non-respect de la garantie ne comprendront des dommages et intérêts indirects, ni ne dépasseront les coûts du matériel non conforme vendu.

⚠ AVISO

A Sunrise Medical recomenda que um clínico, tal como um médico ou terapeuta experiente em assentos e posicionamento, seja consultado para determinar se um encosto ZIP é apropriado.

Os encostos só devem ser instalados por um fornecedor Sunrise Medical autorizado.

O encosto JAY ZIP (Fig. 1.0)

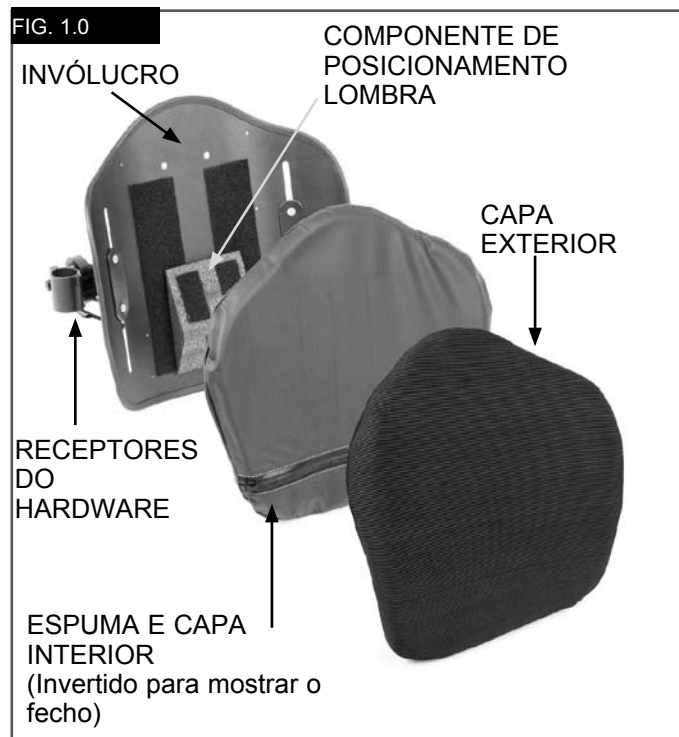
O encosto JAY ZIP foi concebido para oferecer os benefícios importantes de um suporte de costas correcto para uma enorme variedade de utilizadores pediátricos.

Foi criada para oferecer apoio simples, confortável e eficaz para ajudar a maximizar a sua funcionalidade e a aumentar a tolerância de posição sentada. Para além disso, é leve, durável e de fácil utilização.

Peso Máximo do Utilizador: 75 kg

⚠ AVISOS

- A instalação de um suporte de encosto numa cadeira de rodas pode afectar o centro de gravidade da cadeira de rodas e pode fazer com que a cadeira de rodas tombe, possivelmente causando ferimentos.
- Verifique sempre se é necessário instalar na cadeira de rodas dispositivos anti-queda ou de suportes para o adaptador de eixo de amputados para ajudar a aumentar a estabilidade.
- Não empurre ou levante a cadeira de rodas segurando o encosto. A utilização incorrecta pode soltar acidentalmente o encosto da cadeira de rodas.
- Não use o manípulo traseiro para levantar a cadeira de rodas. Destina-se apenas para remover o encosto.



MANUTENÇÃO

- A Sunrise recomenda que inspeccione todos os dispositivos de fixação de 6 em 6 meses para determinar se estão desgastados, se têm parafusos soltos ou componentes partidos.
- Os acessórios de fixação soltos devem ser apertados de acordo com as instruções de instalação.
- Todos os acessórios de fixação devem ser apertados segundo as especificações na secção de instalação do hardware.
- Contacte o seu agente Sunrise Medical autorizado imediatamente para substituir qualquer peça partida.

⚠ AVISO

- Não continue a usar o sistema depois de identificar peças partidas ou soltas.

NOTA: Foi incluída uma chave com o encosto para sua conveniência.

LIMPEZA FÁCIL (Fig. 2.0)

⚠ CUIDADO

Quando desmontar o encosto para limpar, memorize a posição dos componentes de posicionamento lombar Velcro® para montar correctamente.

Para limpar a cobertura do encosto

Remova a cobertura, separando o Velcro.
 Remova a capa da cobertura traseira.
 Localize o fecho no fundo da capa e abra.
 Remova a espuma com a capa interior e vire a capa do avesso. Feche o fecho da cobertura para evitar prender.
 Lavagem à máquina em água quente (60° C)
 Pendure ou seque num torno com aquecimento baixo.

⚠ CUIDADO

- Não limpe a seco as capas ou use produtos de lavagem e de secagem industrial para limpar a capa.
- Não use autoclave de vapor.
- Não use lixívia.
- Insira de novo a espuma na capa interior com a capa.

NOTA: A base tem duas camadas de espuma. Quando inserir de novo a espuma, verifique se a espuma mais fina, firme e cinzenta clara está virada para o invólucro e se a espuma mais macia está virada para o utilizador. Quando a espuma estiver dentro da capa, feche o fecho.

Para limpar o invólucro do encosto e capa interior

O invólucro e capa interior podem ser limpos com sabão e água.
 Não é necessário qualquer outro tipo de manutenção.

Para limpar os componentes de posicionamento

Os componentes de posicionamento podem ser limpos com água e sabão.

⚠ CUIDADO

- Não coloque os componentes de posicionamento debaixo de água.

Se tiver outras questões sobre a limpeza, contacte o seu fornecedor Sunrise Medical autorizado.






SÍMBOLOS DE LIMPEZA	
	Lavagem à máquina em água quente (60° C)
	Apenas branqueamento sem cloro, quando necessário
	Pendurar
	Não passar a ferro
	Não secar

FIG. 2.0

DETERMINAR A COMPATIBILIDADE

Tipos de cadeiras de rodas

O encosto ZIP foi concebido para ser compatível com a maioria das cadeiras de rodas com as seguintes excepções:

⚠ AVISO

- Cadeiras de todas com ângulos, reclinção ou inclinação ajustável, cujo ajuste do ângulo do encosto seja superior a 60 graus a partir da vertical.
- A utilização do encosto nestes tipos de cadeiras de rodas pode fazer com o encosto se solte acidentalmente da cadeira de rodas, causando uma queda e ferimentos potencialmente graves.

Dimensões da Cadeira de Rodas

O encosto JAY ZIP foi concebido para substituir o encosto da cadeira de rodas.

Antes de instalar, determine se a cadeira de rodas usada

tem varetas traseiras compatíveis, medindo a largura entre as suas varetas traseiras como indica na Figura 3.0.

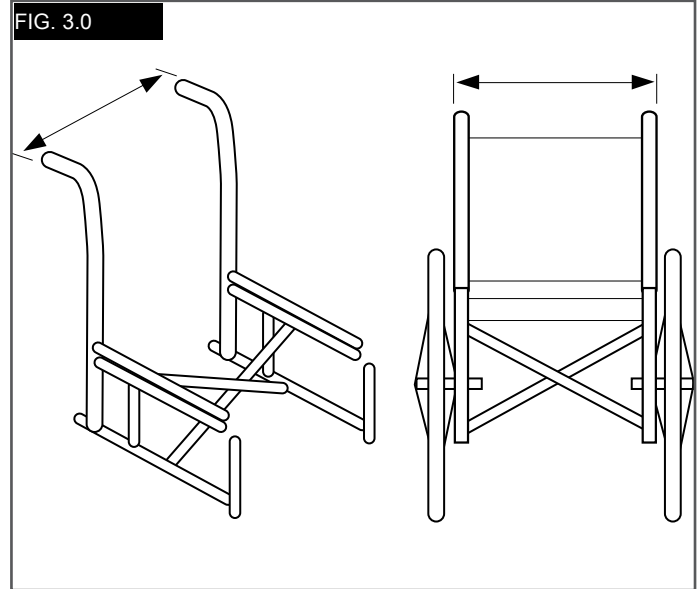
Com esse medição, verifique a Figura 4.0 para determinar se o encosto encaixa na sua cadeira.

De seguida, confirme se as barras traseiras têm diâmetro compatível.

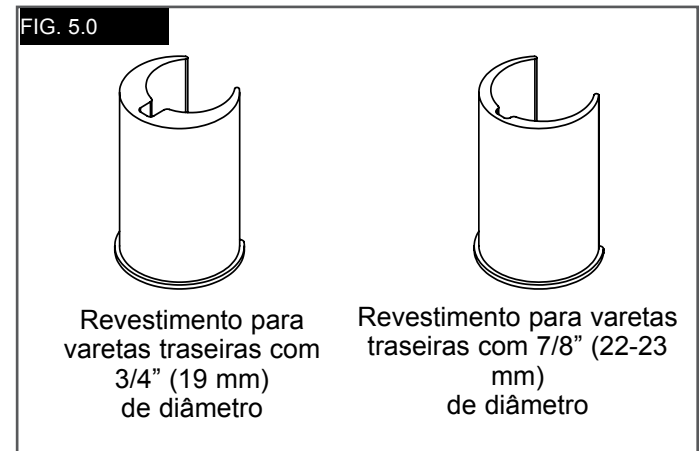
O hardware do encosto ZIP pode ser montado nas varetas traseiras da cadeira de rodas com 3/4", (19mm) de diâmetro, (com revestimento), 7/8", (22-23mm), (com revestimento) ou 1", (25-25,5mm), (sem revestimento). (Fig. 5.0).

⚠ CUIDADO

Se não conseguir determinar se as barras traseiras são compatíveis contacte o seu fornecedor autorizado pela Sunrise Medical ou o serviço de assistência Sunrise Medical.



Largura do encosto ZIP* (todos os contornos)	Largura das varetas traseiras do exterior para o exterior dos tubos (Fig. 3.0)			
	Largura mínima polegada mm		Largura máxima polegada mm	
8" (20 cm)	7,875	20,00	9,125	23,18
10" (25 cm)	9,875	25,00	11,125	28,26
12" (30 cm)	11,875	30,16	13,125	33,34
14" (35 cm)	13,875	35,24	15,125	38,42



Revestimento para varetas traseiras com 3/4" (19 mm) de diâmetro

Revestimento para varetas traseiras com 7/8" (22-23 mm) de diâmetro

INSTALAR O HARDWARE DE MONTAGEM

Leia as seguintes instruções antes de começar a instalação.

Para instalar o encosto JAY ZIP, comece sem o utilizador na cadeira de rodas.

Quando instalar o encosto e se fôr necessário efectuar pequenos ajustamentos, pode sentar o utilizador na cadeira de rodas.

Ferramenta necessária (incluída)

Chave de 10mm



Instruções de instalação do hardware (Fig. 6.0)

- Remova o encosto existente da cadeira de rodas de acordo com as instruções do fabricante.
- Determine visualmente a localização pretendida dos receptores das barras traseiras da cadeira de rodas.
- O hardware de montagem deve ter uma altura aproximadamente igual a cada barra traseira e ficar paralelo à estrutura do assento.
- As posições mais elevadas nas barras traseiras são, geralmente, melhores.

Fixe os receptores de hardware.

- Desaperte os parafusos de fixação (A) com a chave de 10 mm fornecida. NOTA - Para tubos de grande diâmetro, poderá ser necessário remover completamente os parafusos.
- Fixe e alinhe o receptor às barras traseiras da cadeira de rodas.
- Aperte manualmente os parafusos de fixação (A).

NOTA: Poderá ser necessário efectuar ajustamentos adicionais nos receptores para garantir o alinhamento correcto.

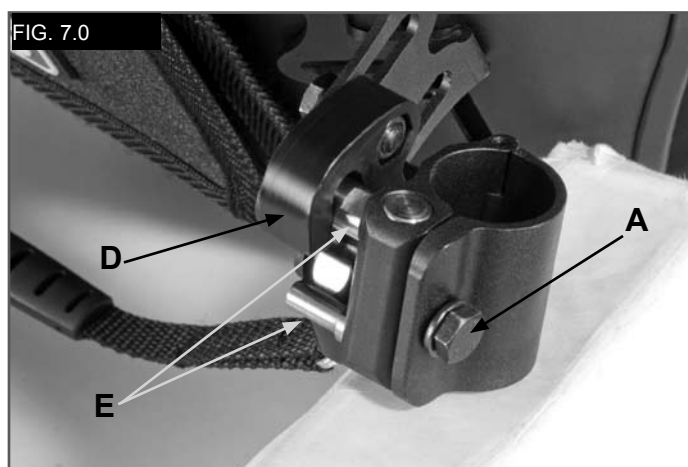
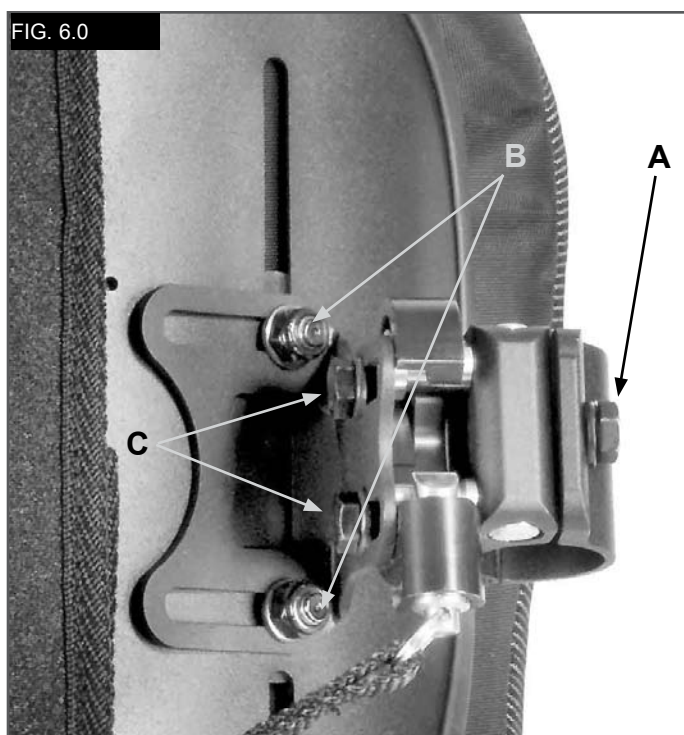
Fixação e alinhamento do invólucro traseiro (Fig. 6.0-7.0)

- Desaperte as porcas do suporte (B) e parafusos do pino de fixação (C) com a chave de 10mm até o hardware poder ser movido facilmente em todas as direcções.
- Fixe o encosto ZIP Back aos receptores de hardware inserindo os ganchos de fixação esquerdo e direito (D) nos receptores esquerdo e direito (E).
- Determinar a posição aproximada do encosto, relativa tanto à cadeira como ao utilizador.
- Aperte os parafusos no interior dos ganchos de fixação (D).
- A força de torção recomendada é 100 - 110 in-lbs. (11,3 - 12,4 Nm). NOTA - Poderá ser necessário ajustar a altura e ângulo do encosto para garantir a melhor posição para o utilizador.
- Aperte as porcas do suporte (B). A força de torção recomendada é 75 - 85 in-lbs. (8,5 - 9,3 Nm).

NOTA: Poderá ser necessário ajustar a altura do encosto para garantir a melhor posição para o utilizador.

- Teste a libertação do encosto empurrando para baixo a alavanca de desbloqueio do encosto e removendo o encosto da cadeira. (Ver secção Remoção e Substituição para mais informações.)
- O alinhamento correcto do hardware de montagem e do encosto é obtido quando efectuar a fixação e libertação suave do encosto.
- Se não tiver atingido o alinhamento correcto, ajuste os componentes até estarem correctamente alinhados.
- Depois de alinhados, aperte os parafusos de fixação do receptor de hardware.

NOTA: A força de torção recomendada é: 75 - 85 in-lbs (8,5 - 9,3 Nm).



AJUSTAR A ALTURA, PROFUNDIDADE E ÂNGULO DO JAY ZIP

Com o utilizador na cadeira, modifique a altura, profundidade e ângulo do encosto para satisfazer os requisitos únicos do utilizador.

⚠ AVISO

- O utilizador não deve aplicar o seu peso total no encosto porque ainda não foi completamente apertado segundo os requisitos de torção.

Ajustamento da altura (Fig. 8.0)

- Com o utilizador na cadeira, determine a altura pretendida do encosto.
- Quando estiver determinada a altura, o utilizador deve remover o seu peso do Encosto inclinándose ou movendo-se parcialmente para a frente, se possível, para permitir ajustar o encosto.
- Desaperte as porcas do suporte (B) e ajuste a altura da cobertura do encosto para a posição pretendida.
- Aperte com firmeza as porcas do suporte (B).
- A força de torção recomendada é 75 - 85 in-lbs. (8,5 - 9,3 Nm).

NOTA: Depois de concluir os ajustamentos de altura, verifique se a largura não foi inadvertidamente alterada quando apertar as porcas.

Ajustamentos de Profundidade/Ângulo (Fig. 8.0)

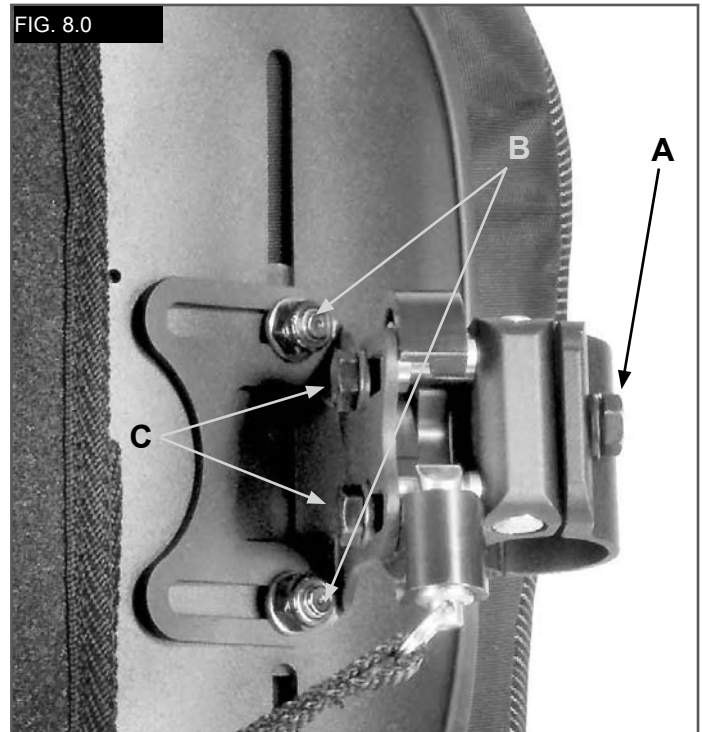
O hardware permite um ajustamento de profundidade anterior de 1,6", (40,5mm), 3", (76,2mm) com hardware com inversão.

- Para ajustar a profundidade e ângulo do encosto, desaperte os parafusos esquerdo e direito (C) nas ranhuras do suporte.
- Ajuste a profundidade e/ou ângulo e aperte firmemente.
- A força de torção recomendada é 100 - 110 in-lbs. (11,3 - 12,4 Nm).
- Assegure-se que nenhuma das porcas de ajustamento de profundidade (C) escorrega ou roda.

⚠ AVISO

Verifique se todo o hardware foi apertado correctamente quando todos os ajustamentos forem concluídos e que o encosto está pronto a ser usado.

FIG. 8.0



SEGURANÇA DO ENCOSTO EM VIAGEM

Este encosto foi dinamicamente testado para ser usado numa cadeira de rodas transportada num veículo motorizado.

Respeite todas as instruções de instalação, utilização e manutenção deste manual assim como as instruções de trânsito apresentadas em baixo.

⚠ AVISOS

- Se possível e viável, o utilizador deve passar para o assento do veículo de Equipamento Original do Fabricante e usar o cinto de segurança.
 - A distância entre o topo do ombro do utilizador e o topo do invólucro do encosto não deve ser superior a 3" (7,6 cm).
 - A cadeira de rodas deve ser identificada como sendo apropriada para utilização como veículo motorizado, dinamicamente testada segundo os requisitos de desempenho da Norma ISO 7176-19 e instalada, usada e mantida de acordo com as instruções do fabricante.
 - Se o assento original da cadeira de rodas, o novo assento deve ser aprovada para trânsito, instalada e usada como indicado nas instruções do fabricante.
- O sistema Wheelchair Tiedown and Occupant Restraint (WTORS) [Retenção da Cadeira de Rodas e Restrição do Ocupante] deve ser compatível com a cadeira de rodas específica, usado como indicado nas instruções do fabricante e deve respeitar os requisitos de desempenho da Norma ISO 10542.
 - A cadeira de rodas deve estar virada para a frente durante o transporte.
 - Para reduzir o risco de ferimentos nos ocupantes do veículo, os acessórios montados na cadeira de rodas, como tabuleiros e equipamento não essencial, devem ser removidos e guardados em separado.
 - Este produto destina-se a ser usado por utilizadores com pesos entre 10 e 75 kg.
 - Os dispositivos de suporte postural tais como cintos de posicionamento pélvico, suportes anteriores do tronco ou suportes posturais tais como suportes laterais do tronco, não devem ser usados para prender o ocupante num veículo em movimento excepto quando identificados como sendo compatíveis com a Norma ISO 16840-4.
 - A estrutura, peças ou componentes não devem ser alterados ou substituídos, sem autorização do fabricante.
 - **O NÃO CUMPRIMENTO DESTES AVISOS PODERÁ RESULTAR EM FERIMENTOS GRAVES PARA O CONDUTOR DA CADEIRA DE RODAS E OUTROS.**

REMOÇÃO E SUBSTITUIÇÃO**Remoção**

Após a instalação e ajustamento, o encosto pode ser facilmente removido da cadeira de rodas, se necessário. Para remover, puxe a alavanca do encosto para baixo, rode para cima e remova os receptores de hardware.

Reinstalação correcta depois da remoção

Para fixar de novo o encosto nos receptores de hardware, puxe o cabo para baixo, insira de novo nos receptores e rode para baixo.

⚠ AVISO

Se não tiver a certeza de ter ouvido o estalo de encaixe, puxe o encosto para cima para se certificar de que ficou fixado em segurança.

GARANTIA

GARANTIA LIMITADA DE 24 MESES

Cada encosto JAY ZIP foi cuidadosamente inspeccionado e testado para oferecer os melhores resultados.

Cada encosto JAY ZIP tem garantia que cobre os defeitos de materiais e de fabrico durante um período de 24 meses a partir da data de compra, em condições de utilização normal. Caso ocorram defeitos de material e de fabrico durante os 24 meses a contar da data de compra original, a Sunrise Medical pode, se assim o entender, repará-la ou substituí-la gratuitamente.

Esta garantia não se aplica a furos, rasgões ou queimaduras futuras, nem à capa removível do encosto.

As reclamações e reparações devem ser processadas através do fornecedor autorizado mais próximo.

Excepto no caso de garantias expressas nesta documentação, todas as restantes garantias, incluindo garantias implícitas de exploração comercial e garantias de aplicação com objectivos específicos são excluídas. Não existem garantias que sejam mais abrangentes que a descrição nesta documentação. Reclamações pela violação das garantias expressas nesta documentação estão limitadas à reparação ou substituição de peças. Em caso algum, os danos causados pela violação de qualquer garantia incluirão danos consequentes ou excedem o custo de peças sem conformidade.

⚠ AVVERTENZA

Sunrise Medical raccomanda di rivolgersi ad un medico, un terapeuta o un tecnico della riabilitazione esperto in sistemi di seduta e di postura per determinare l'idoneità all'uso di uno Schienale ZIP.

Gli schienali devono essere montati da un rivenditore autorizzato Sunrise Medical.

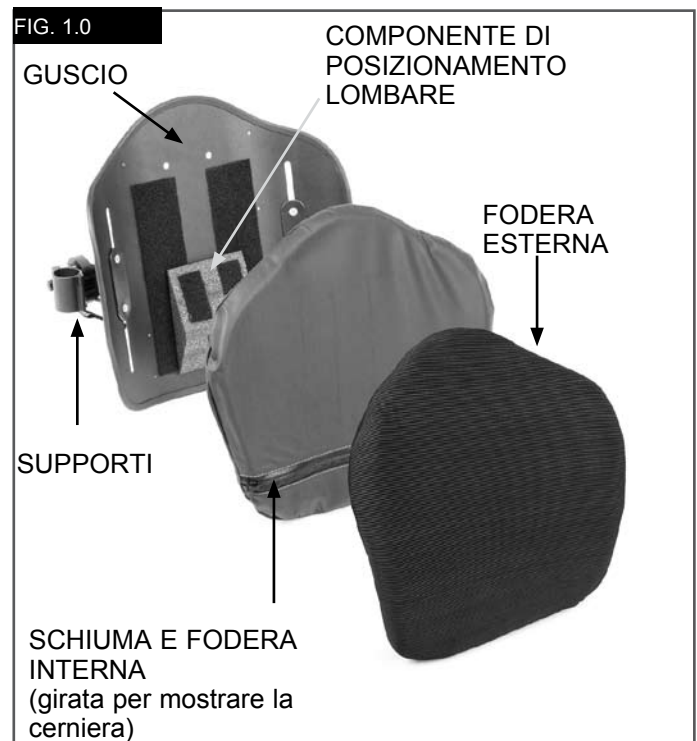
Schienale JAY ZIP (Fig.1.0)

Lo schienale JAY ZIP è stato sviluppato per offrire un corretto sostegno della schiena agli utenti pediatrici. Ideato per fornire un supporto semplice, comodo ed efficace, favorisce la funzionalità e aumenta la tolleranza alla posizione seduta. Inoltre, è leggero, resistente e facile da usare.

Portata massima: 75 kg

⚠ AVVERTENZE

- L'uso di un supporto per la schiena su una carrozzina può modificarne il centro di gravità facendola ribaltare all'indietro e causando lesioni all'utente.
- Valutare sempre la necessità di aggiungere dispositivi antiribaltamento o prolunghe per amputati per aumentare la stabilità della carrozzina.
- Non usare lo Schienale per spingere o sollevare la carrozzina, Se viene utilizzato in modo scorretto, lo schienale potrebbe staccarsi inavvertitamente dalla carrozzina.
- Non usare la maniglia dello Schienale per sollevare la carrozzina, poiché serve solo per la rimozione dello schienale.



MANUTENZIONE

- Sunrise raccomanda di controllare ogni 6 mesi tutti i dispositivi di fissaggio e di assicurarsi che non siano logori, che i bulloni non siano allentati o che i componenti non siano rotti.
- Stringere i dispositivi di fissaggio allentati secondo le istruzioni per l'installazione.
- Stringere i dispositivi di fissaggio secondo le coppie di serraggio specificate nella sezione relativa al montaggio dei supporti.
- Se è necessario sostituire dei componenti rotti, contattare immediatamente il fornitore Sunrise Medical autorizzato.

⚠ AVVERTENZA

- Se un componente è allentato o rotto, non utilizzare più il sistema.

NOTA: Lo schienale è provvisto di una chiave per facilitare le operazioni di montaggio e regolazione.

FACILE PULIZIA (Fig. 2.0)**⚠ ATTENZIONE**

Quando si smonta lo schienale per pulirlo, prendere nota della posizione dei componenti per il posizionamento lombare in Velcro® per rimontarli poi correttamente.

Pulizia della fodera dello schienale

Staccare il velcro per rimuovere la fodera.

Staccare la fodera dal guscio dello schienale.

Aprire la cerniera situata nella parte inferiore della fodera.

Rimuovere la schiuma con la fodera interna e rivoltare la fodera. Richiudere la fodera con la cerniera per evitare che si attorcigli.

Lavare in lavatrice in acqua calda (60 °C)

Asciugare all'aria o in asciugatrice a bassa temperatura.

⚠ ATTENZIONE

- Non lavare la fodera a secco, né utilizzare lavatrici ed asciugatrici industriali.
- Non sterilizzare in autoclave a vapore.
- Non candeggiare.
- Inserire la schiuma con la fodera interna nella fodera esterna.

NOTA: la base ha due strati in schiuma. Quando si inserisce la schiuma, assicurarsi che lo strato di schiuma più sottile e più rigido, di colore grigio chiaro, sia rivolto verso il guscio e che lo strato più morbido sia rivolto verso l'utente.

Dopo aver fissato la schiuma all'interno della fodera, chiudere con la cerniera.

Pulizia del guscio e della fodera interna dello schienale

Il guscio e la fodera interna possono essere puliti con acqua e sapone.

Non dovrebbe essere necessaria alcuna altra manutenzione.

Pulizia dei componenti per il posizionamento

I componenti per il posizionamento possono essere puliti con acqua e sapone.

⚠ ATTENZIONE

- Non immergerli nell'acqua.

Se si hanno domande sulle procedure di pulizia, contattare il fornitore Sunrise Medical autorizzato.



SIMBOLI PER IL LAVAGGIO	
	Lavare in lavatrice in acqua calda (60 °C)
	Se necessario, smacchiare utilizzando solamente prodotti non a base di cloro.
	Asciugare all'aria
	Non stirare
	Non lavare a secco.

FIG. 2.0

COMPATIBILITÀ CON LA CARROZZINA**Tipi di carrozzina**

Lo schienale JAY ZIP è stato progettato per essere compatibile con la maggior parte delle carrozzine, con le seguenti eccezioni:

⚠ AVVERTENZA

- carrozzine con schienale ad angolazione regolabile, reclinabili o basculanti che raggiungano un'angolazione maggiore di 60 gradi rispetto all'asse verticale.
- L'uso dello schienale con questi tipi di carrozzina può provocare il distacco accidentale dello schienale, con conseguente caduta e rischio di gravi lesioni.

Dimensioni della carrozzina

Lo schienale JAY ZIP è stato progettato per sostituire il telo schienale della carrozzina.

Prima del montaggio controllare che i montanti dello schienale siano compatibili. A questo scopo misurare la distanza tra i montanti come illustrato nella figura 3.0.

Consultare la figura 4.0 per determinare se è possibile usare lo schienale con la carrozzina.

Quindi controllare che i montanti siano di diametro compatibile.

I supporti dello schienale JAY ZIP possono essere montati su montanti di diametro di 19 mm (3/4") (con inserto), 22-23 mm (7/8") (con inserto) o 25-25,5 mm (1") (senza inserto). (Fig. 5.0).

⚠ ATTENZIONE

In caso di difficoltà nel determinare la compatibilità dei montanti dello schienale rivolgetevi ad un fornitore autorizzato oppure al servizio clienti di Sunrise Medical.

FIG. 3.0

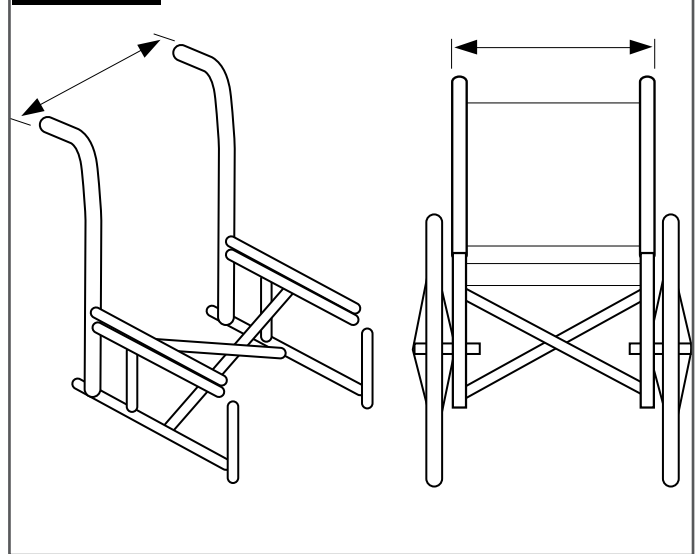
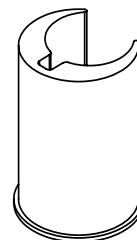


FIG. 4.0

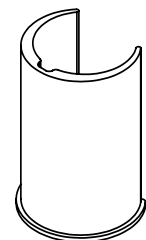
Distanza tra i montanti, da parte esterna a parte esterna (Fig. 3.0)

Larghezza dello schienale ZIP* (tutte le sagome)	Larghezza minima " mm		Larghezza massima " mm	
	8" (20 cm)	7,875	20,00	9,125
10" (25 cm)	9,875	25,00	11,125	28,26
12" (30 cm)	11,875	30,16	13,125	33,34
14" (35 cm)	13,875	35,24	15,125	38,42

FIG. 5.0



Inserto per montanti dello schienale di 19 mm (3/4") di diametro



Inserto per montanti dello schienale di 22-23 mm (7/8") di diametro

INSTALLAZIONE DEI SUPPORTI PER IL MONTAGGIO

Prima di procedere con il montaggio, leggere bene le istruzioni.

Installare lo schienale JAY ZIP senza l'utente seduto sulla carrozzina.

Se, dopo il montaggio, fosse necessario apportare alcune modifiche di piccola entità, l'utente può rimanere seduto in carrozzina.

Utensili necessari (inclusi)

Chiave da 10 mm



Istruzioni per il montaggio dei supporti (Fig. 6.0)

- Rimuovere lo schienale secondo le istruzioni del produttore della carrozzina.
- Determinare la posizione sui montanti dello schienale dove si desidera montare i supporti.
- I supporti devono essere montati più o meno alla stessa altezza su ogni montante e parallelamente al telaio del sedile.
- Si consiglia di posizionare i supporti sulla parte alta dei montanti.

Come montare i supporti

- Allentare le viti di fermo (A) con la chiave da 10 mm inclusa. NOTA- per i montanti di diametro maggiore rimuovere completamente le viti di fermo.
- Fissare e allineare il supporto al montante dello schienale.
- Stringere le viti di fermo a mano (A).

NOTA: per un allineamento corretto potrebbe essere necessario regolare ulteriormente i supporti lateralmente.

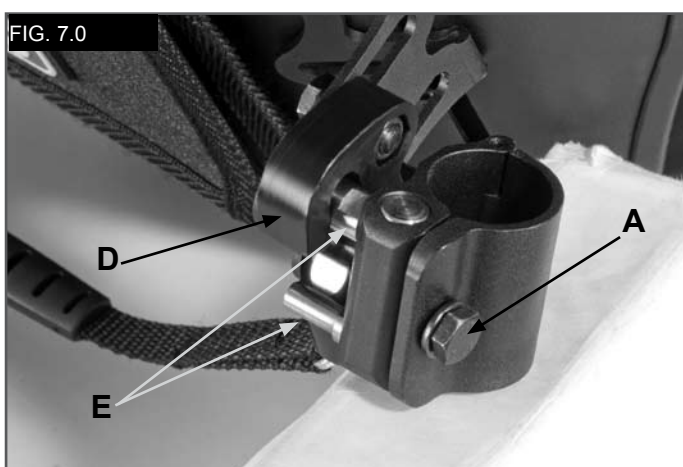
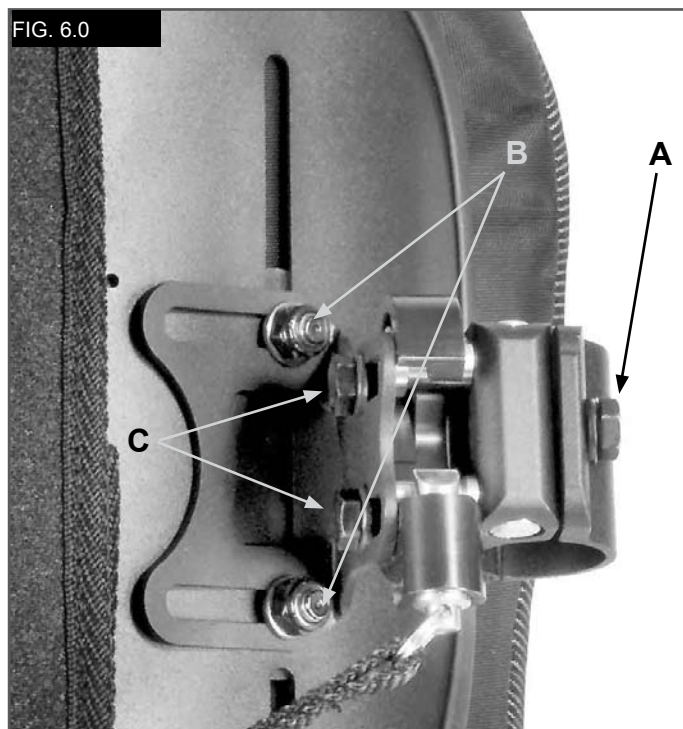
Montaggio e allineamento del guscio dello schienale (Figg.6.0-7.0)

- Allentare i dadi della staffa (B) e i dadi del perno di montaggio (C) con la chiave da 10 mm fino a quando il supporto non si muove liberamente in tutte le direzioni.
- Fissare lo schienale ZIP inserendo i ganci di montaggio destro e sinistro (D) nei rispettivi supporti (E).
- Determinare la posizione, rispetto alla carrozzina e all'utente, in cui si desidera montare lo schienale.
- Stringere i dadi sulla parte interna dei ganci di montaggio (D)
- secondo la coppia di serraggio consigliata di 100 - 110 in-lbs. (11,3 - 12,4 Nm). **NOTA** - Per garantire il massimo comfort, potrebbe essere necessario regolare ulteriormente la profondità e l'angolo dello schienale.
- Stringere i dadi della staffa (B) secondo la coppia di serraggio consigliata di 75 - 85 in-lbs. (8,5 - 9,3 Nm).

NOTA: per garantire il massimo comfort, potrebbe essere necessario regolare ulteriormente l'altezza dello schienale.

- Provare a rimuovere lo schienale. A questo scopo spingere la maniglia di sblocco verso il basso e staccare lo schienale dalla carrozzina. (Per ulteriori informazioni, vedere la sezione relativa alla rimozione e al posizionamento.)
- Se i supporti e lo schienale sono allineati correttamente, lo schienale può essere montato e rimosso facilmente.
- Se i componenti non sono allineati correttamente, effettuare nuovamente la regolazione.
- Dopo avere completato l'allineamento, stringere le viti di fermo dei supporti.

NOTA: la coppia di serraggio consigliata è: 75 - 85 in-lbs (8,5 - 9,3 Nm).



REGOLAZIONE DELL'ALTEZZA, DELLA PROFONDITÀ E DELL'ANGOLO DI JAY ZIP

Con l'utente seduto sulla carrozzina modificare l'altezza, la profondità e l'angolo dello schienale a seconda dei requisiti specifici dell'utente.

⚠ AVVERTENZA

- Chiedere all'utente di non applicare pressione in quanto lo schienale non è ancora stato stretto completamente secondo i requisiti di serraggio.

Regolazione dell'altezza (Fig. 8.0)

- Con l'utente seduto sulla carrozzina determinare a che altezza si desidera regolare lo schienale.
- Quindi chiedere all'utente di non applicare pressione e di sporgersi o scivolare parzialmente in avanti, se possibile, per consentire la regolazione dello schienale.
- Allentare i dadi della staffa (B) e spostare il guscio dello schienale all'altezza desiderata.
- Stringere bene i dadi della staffa (B)
- secondo la coppia di serraggio consigliata di 75-85 in-lbs (8,5 - 9,3 Nm).

NOTA: dopo avere regolato l'altezza, verificare che la larghezza non sia stata inavvertitamente cambiata stringendo i dadi.

Regolazione della profondità e dell'angolo (Fig. 8.0)

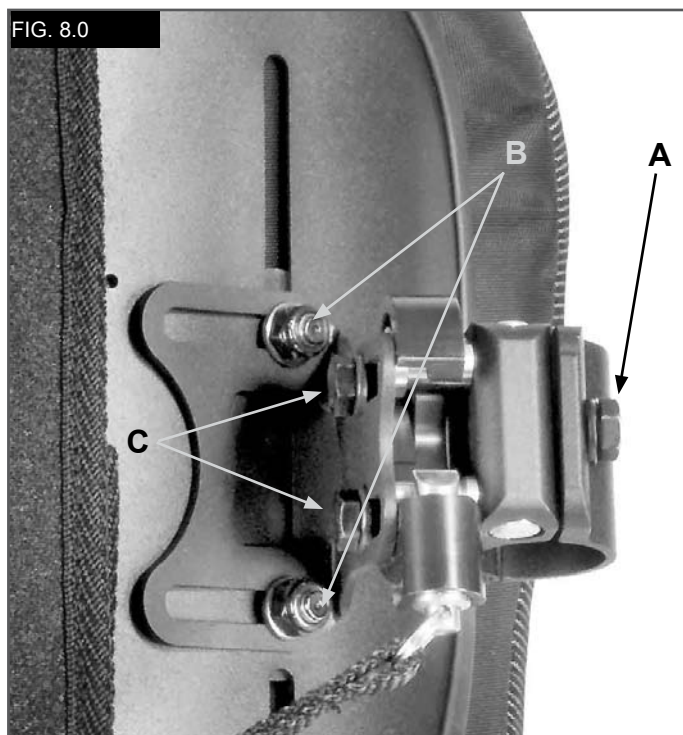
La profondità del supporto può essere regolata di 40,5 mm in avanti (76,2 mm con un supporto reversibile).

- Per regolare la profondità e l'angolo, allentare i dadi destro e sinistro (C) sulle scanalature della staffa.
- Regolare la profondità e/o l'angolo, quindi stringere bene i dadi
- secondo la coppia di serraggio consigliata di 100-110 in-lbs (11,3 - 12,4 Nm).
- Assicurarsi che nessuno dei dadi di regolazione della profondità (C) scivoli o giri.

⚠ AVVERTENZA

Dopo avere apportato le regolazioni desiderate, assicurarsi che i supporti siano ben stretti e lo schienale sia pronto per l'uso.

FIG. 8.0



SICUREZZA DELLO SCHIENALE IN CASO DI TRASPORTO SU UN VEICOLO A MOTORE

Questo schienale è stato sottoposto a prova dinamica per l'uso in un veicolo a motore.

Seguire le istruzioni per il montaggio, l'uso e la manutenzione fornite nel presente manuale, nonché le istruzioni per il transito riportate di seguito.

⚠ AVVERTENZE

- Se è possibile, l'utente deve trasferirsi sul sedile del veicolo ed usare il relativo sistema di ritenuta.
- La distanza tra la parte superiore della spalla dell'utente e la parte superiore dello schienale non deve superare 7,6 cm (3").
- La carrozzina deve essere etichettata per l'uso come sedile in un veicolo a motore, sottoposta a una prova dinamica secondo i requisiti delle prestazioni dello standard ISO 7176-19 e montata, usata e mantenuta in base alle istruzioni del produttore.
- Se il sedile originale della carrozzina è stato sostituito, il nuovo sedile deve essere approvato per il transito in carrozzina, montato e usato secondo le istruzioni del produttore.
- I WTORS (Sistemi di ritenuta che permettono all'utente di rimanere seduto in carrozzina anche nel caso di transito su veicolo a motore) devono essere compatibili con la carrozzina specifica, usati secondo le istruzioni del produttore e conformi ai requisiti delle prestazioni dello standard ISO 10542.
- Durante il trasporto la carrozzina deve essere rivolta in avanti.
- Per ridurre le potenziali lesioni agli occupanti del veicolo, gli accessori montati sulla carrozzina, quali tavolino e apparecchiatura non essenziale, devono essere rimossi e fissati separatamente.
- Questo prodotto è inteso per l'uso da parte di utenti che pesino tra 10 e 75 kg.
- Non usare i dispositivi per il supporto posturale, ad esempio le cinture pelviche oppure i sostegni anteriori o laterali del tronco, come sistemi di ritenuta in un veicolo in movimento a meno che non siano conformi allo standard ISO 16840-4.
- Non effettuare alterazioni o sostituzioni sulla struttura, sulle parti o sui componenti, senza aver prima consultato il produttore.
- **SE NON CI SI ATTIENE ALLE ISTRUZIONI RIPORTATE SOPRA, SI POSSONO CAUSARE LESIONI GRAVI A SE STESSI O AD ALTRE PERSONE.**

RIMOZIONE E POSIZIONAMENTO**Rimozione**

Dopo l'installazione e la regolazione, lo schienale potrà essere facilmente rimosso dalla carrozzina se necessario.

Per rimuovere lo schienale, abbassare la maniglia, ruotare lo schienale verso l'alto e rimuoverlo dai supporti.

Riposizionamento corretto dopo la rimozione

Per riattaccare lo schienale ai supporti, tirare il cordino, inserire lo schienale nelle staffe e ruotarlo verso il basso.

⚠ AVVERTENZA

Se non si è sicuri di avere udito lo scatto di blocco, sollevare lo schienale per verificare che sia bloccato saldamente in posizione.

GARANZIA LIMITATA DI 24 MESI

Tutti gli schienali JAY ZIP vengono attentamente esaminati e sottoposti a prove per garantirne le prestazioni ottimali.

Tutti gli schienali JAY ZIP sono garantiti privi di difetti di materiale e fabbricazione per un periodo 24 mesi dalla data di acquisto, in condizioni di utilizzo normale.

Qualora si dovesse riscontrare un difetto di materiale o di fabbricazione nei 24 mesi successivi alla data di acquisto originale, Sunrise Medical effettuerà, a propria discrezione, la riparazione o la sostituzione gratuita.

La presente garanzia non copre forature, strappi o bruciature, né la fodera estraibile dello schienale.

La riparazione o la sostituzione delle parti in garanzia saranno eseguite da un tecnico o da un rivenditore autorizzato Sunrise Medical.

Ad eccezione delle garanzie esplicite riportate nel presente manuale, sono escluse tutte le altre garanzie, comprese le garanzie implicite di commerciabilità e le garanzie di idoneità per scopi specifici.

Non esistono garanzie che vadano oltre la descrizione riportata nella presente garanzia.

L'unico rimedio in caso di violazione delle garanzie esplicite definite nel presente manuale

è la riparazione o la sostituzione della merce.

In nessun caso i danni risultanti dalla violazione della garanzia includeranno gli eventuali danni conseguenti o supereranno il costo della merce non conforme venduta.

! VARNING

Sunrise Medical rekommenderar att en kliniker, t.ex. en läkare eller terapeut med erfarenhet av sitsar och sittställningar kontaktas för att avgöra om en ZIP Ryggstöd är lämpligt.

Ryggstöd bör endast installeras av en auktoriserad Sunrise Medical leverantör.

JAY ZIP Ryggstöd (Fig. 1.0)

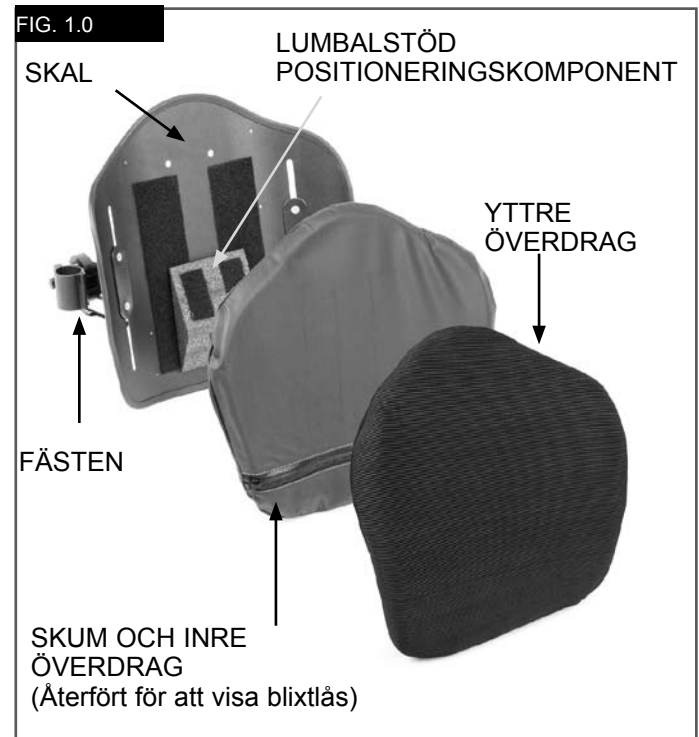
JAY ZIP Ryggstöd är utformat för att ge de viktiga fördelar som erbjuds med ett ordentligt ryggstöd för barn.

Det är utformat för att ge enkelt, bekvämt och effektivt stöd som bidrar till att fungera i vardagen så att brukaren kan sitta längre perioder. Det är lätt, mycket hållbart och enkelt att använda.

Max brukarvikt: 75 kg

! VARNINGAR

- Montering av ryggstöd på en rullstol kan påverka rullstolens tyngdpunkt och kan leda till att den tippar bakåt med risk för ev. personskada.
- Undersök alltid om det finns behov av tippskydd eller behov av amputationsblock vilket skulle kunna förbättra stabiliteten.
- Använd inte ryggstödet för att putta eller lyfta rullstolen. Felaktig användning kan få ryggstödet att oväntat lossa från rullstolen.
- Använd inte rygghandtaget för att lyfta rullstolen. Det är endast avsett för avlägsnande av ryggstödet.



Underhåll

- Sunrise rekommenderar att alla fästanordningar kontrolleras med avseende på slitage hos exempelvis lösa bultar eller trasiga komponenter var 6:e månad.
- Lösa fästanordningar bör spännas enligt installationsinstruktioner.
- Alla beslag ska dras åt med, i monteringsanvisningarna, angivet moment.
- Kontakta omedelbart din auktoriserade Sunrise Medical-leverantör om någon del är trasig och behöver bytas ut.

⚠ VARNING

- Använd inte hjälpmedel som du konstaterat har lösa eller trasiga delar.

OBS: En skiftnyckel ingår med ryggstödet.

Enkel Rengöring (Fig. 2.0)**⚠ VIKTIGT**

Vid demontering av ryggstödet för rengöring, observera läget för de kardborrefästa lumbalstöd (positioneringsdelarna) för korrekt återmontering.

Rengöring av ryggdynans överdrag

Avlägsna överdraget genom att dra isär kardborren.

Lossa överdraget från ryggskalet.

Leta upp och öppna blixtlåset i överdragets botten.

Avlägsna skum med det inre överdraget och vänd överdraget med avigsidan utåt. Dra för säkerhets skull igen dragkedjan för att undvika revor.

Maskintvätta i varmt vatten (60° C)

Droptorka eller tumla torrt på låg värme.

⚠ VIKTIGT

- Överdraget får inte kemtvättas eller rengöras i industriella tvätt- och torkmaskiner.
- Autoklavera inte med ånga.
- Använd inte blekmedel.
- Sätt tillbaka skummet med det inre överdraget i överdraget.

OBS: Basen har två skumlager. Vid återisättning av skummet, säkerställ att det tunnare, fastare, ljusa grå skummet är vänt mot skalet och att det mjukare skummet är vänt mot brukaren.

När skummet är säkrat i överdraget, stängs det med blixtlåset.

Att Rengöra Ryggskal Och Det Inre Överdraget

Skalet och inre överdrag kan rengöras med tvål och vatten.

Det krävs ej något ytterligare underhåll.

Rengöring Av Positioneringskomponenter

Positioneringskomponenter kan torkas rena med trasa och tvål & vatten.

⚠ VIKTIGT

- Doppa inte positioneringskomponenter i vatten.

Om du har ytterligare frågor om rengöringsprocedurer, kontakta er hjälpmedelscentral.





TVÄTTSYMBOLER	
	Maskintvätta i varmt vatten (60° C)
	Endast klorfritt blekmedel, vid behov
	Droptorka
	Stryk inte
	Kemtvätta inte

FIG. 2.0

Fastställande Av Kompatibilitet**Rullstolstyper**

ZIP Ryggstöd är konstruerat för att vara kompatibelt med de flesta rullstolar med följande undantag:

⚠ VARNING

- Rullstolar, som är justerbara i vinkel, fälls tillbaka eller tiltas med ett resultat där ryggstödsvinkeln blir större än 60 grader, skall ej användas.
- Användning av sådana typer av rullstolar kan leda till att ryggstödet av en händelse lossnar från rullstolen och resulterar i fall och risk för allvarlig personskada.

Rullstolsdimensioner

JAY ZIP Ryggstöd är konstruerat för att ersätta rullstolens hängmatterygg.

Bestäm före installation om rullstolen som används har passande ryggrör, genom att mäta bredden mellan dina ryggrör som ses i figur 3.0.

Med den mätningen, kontrollera figur 4.0 för att bestämma om ryggstödet passar din rullstol.

Kontrollera därefter om ryggrören har jämförbar diameter.

ZIP Ryggstöds beslag kan monteras på rullstolens ryggrör som mäter i diameter (3/4"), 19 mm, (med inlägg), (7/8"), 22-23 mm, (med inlägg) eller (1"), 25-25,5 mm, (inget inlägg). (Fig. 5.0).

⚠ VIKTIGT

Om du inte kan fastställa att ryggrören är kompatibla skall kontakt tas med auktoriserad återförsäljare av Sunrise Medical eller med deras kundservice: Sunrise Medical Customer Service.

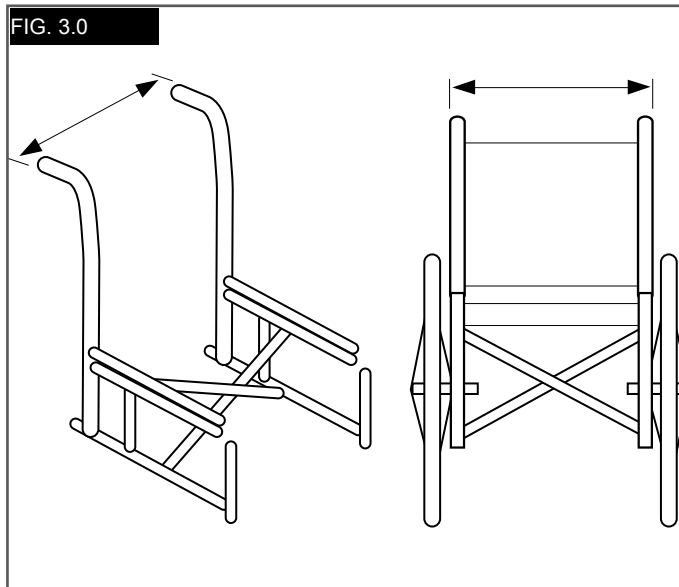
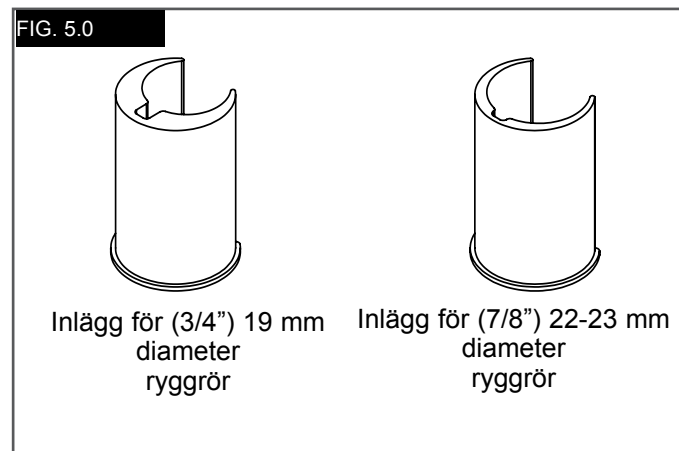


FIG. 4.0		Bredd på ryggrören från utsidan till utsidan av rören (Fig. 3.0)			
ZIP Ryggstöd bredd* (alla konturer)	Min. bredd tum	mm	Max. bredd tum	mm	
(8") 20 cm	7,875	20,00	9,125	23,18	
(10") 25 cm	9,875	25,00	11,125	28,26	
(12") 30 cm	11,875	30,16	13,125	33,34	
(14") 35 cm	13,875	35,24	15,125	38,42	



Installation Av Beslag

Läs följande instruktioner innan montering påbörjas. För att installera JAY ZIP Ryggstöd, börja utan brukaren i rullstolen.

När monteringen är klar och smärre injusteringar behövs kan brukaren sättas tillbaka i rullstolen.

Verktyg krävs (ingår) 10mm skiftnyckel



Instruktioner för montering av beslag (Fig. 6.0)

- Demontera rullstolens befintliga ryggstöd enligt tillverkarens instruktioner.
- Fastställ önskad placering för fästena på stolens ryggrör.
- Beslagen bör vara på omkring samma höjd på varje ryggstolpe och parallellt med ramen.
- Högre placering på ryggrören är generellt bättre.

Montera fästena

- Lossa tvingskruvarna (A) med medföljande 10 mm skiftnyckel. OBS – För grövre rördiametrar kan tvingskruvarna behöva skruvas ur helt.
- Montera och rikta upp fästena på ryggrören.
- Handdra tvingskruvarna (A).

OBS: Fästena kan behöva ytterligare lateral justering för att säkerställa korrekt uppriktning.

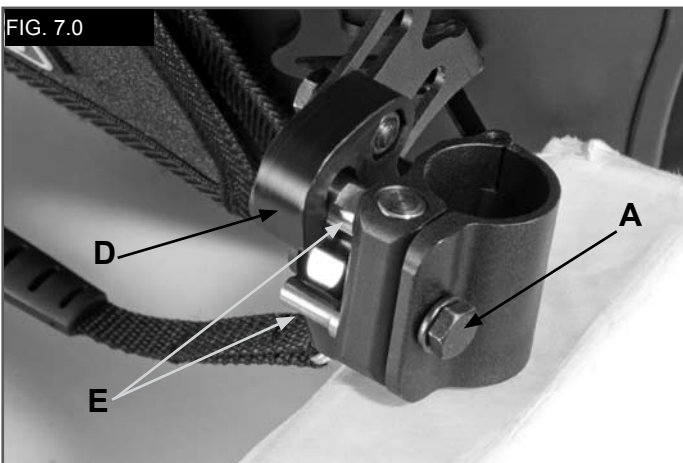
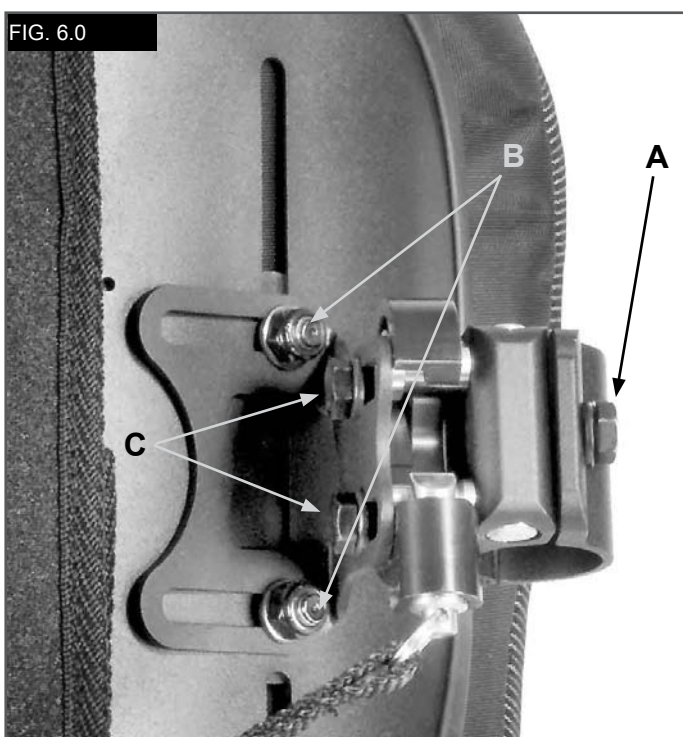
Montering och justering av ryggskal (Fig. 6.0-7.0)

- Lossa muttrarna (B) och montera pinnbultarna (C) genom att använda en 10 mm skiftnyckel tills fästena kan röra sig enkelt i alla riktningar.
- Fäst ZIP Ryggstöd till fästena genom att sätta in vänster och höger monteringshakar (D) på vänster och höger fästen (E).
- Sätt ryggstödet på plats.
- Dra åt bultarna på insidan av monteringshakarna (D).
- Rekommenderat åtdragningsmoment är is 100 - 110 in-lbs. (11,3 - 12,4 Nm). OBS– Ryggstödet djup och vinkel kan behöva ytterligare justering för att säkerställa korrekt anpassning för användaren.
- Handdra muttrarna (B). Rekommenderat åtdragningsmoment är 75 - 85 in-lbs. (8,5 - 9,3 Nm).

OBS: Ryggstödshöjden kan kräva ytterligare justering för att säkerställa korrekt anpassning för användaren.

- Testa ryggutlösningen genom att dra ryggutlösningshandtaget nedåt och ta bort ryggstödet från stolen. (Se avsnittet om borttagande och utbyte för mer information.)
- Korrekt uppriktning av fästena och ryggstöd är uppnått när friktionsfri anslutning och utlösning lätt kan utföras.
- Om korrekt uppriktning inte har uppnåtts, justera komponenterna tills de är korrekt uppriktade.
- När korrekt uppriktning uppnåtts, dra åt alla skruvar.

OBS: Rekommenderat åtdragningsmoment är: 75 - 85 in-lbs (8,5 - 9,3 Nm).



Justering Av Jay ZIP Höjd, Djup Och Vinkel

När brukaren är i stolen, justera ryggstödet höjd, djup och vinkel för att uppfylla brukarens unika behov.

⚠ VARNING

- Låt inte användaren anlägga fullt tryck på ryggstödet, eftersom det inte ännu är åtdraget med fullt moment.

Höjdjustering (Fig. 8.0)

- Fastställ önskad höjd för ryggstödet med användaren sittande i stolen.
- När rätt höjd hittats, be brukaren om möjligt luta sig något framåt för att lätta trycket på stödet så att justering kan utföras.
- Lossa muttrarna (B) och justera höjden för ryggskålet till önskat läge.
- Dra åt muttrarna (B) ordentligt.
- Rekommenderat åtdragningsmoment är 75 - 85 in-lbs. (8,5 - 9,3 Nm).

OBS: När höjdjusteringen är avklarad, kontrollera att bredden inte oavsiktligt ändras när muttrarna dras åt.

Justering av djup/vinkel (Fig. 8.0)

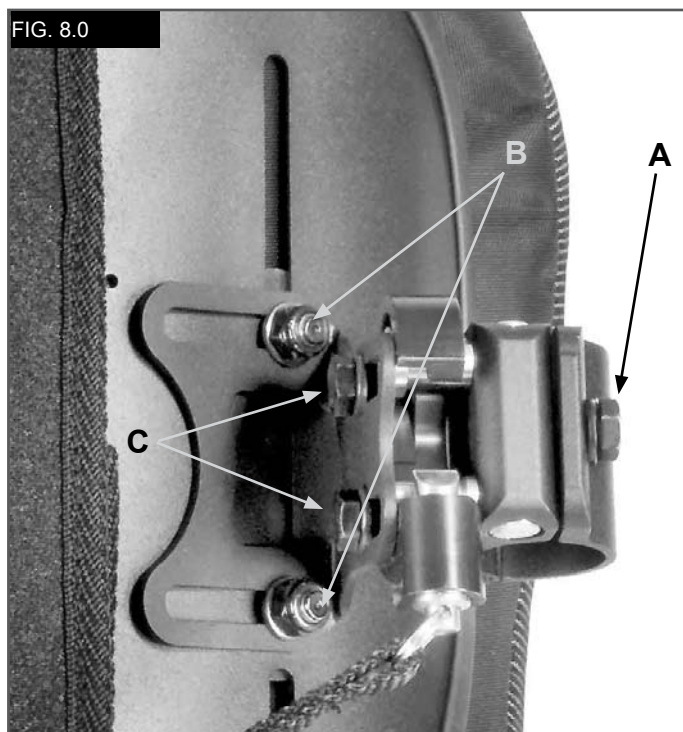
Beslagen tillåter (1,6"), 40,5 mm främre djupjustering, (3"), 76,2 mm med vända fästen.

- För att justera ryggstödet djup och vinkel lossa på vänster och höger bultar (C) på fästet.
- Justera djup och/eller vinkel och dra åt ordentligt.
- Rekommenderat åtdragningsmoment är 100 - 110 in-lbs. (11,3 - 12,4 Nm).
- Säkerställ att ingen av djupjusteringsmuttrarna (C) glider eller roterar.

⚠ VARNING

Säkerställ att alla beslag har dragits åt ordentligt när alla justeringar har avslutats och ryggstödet är klart för användning.

FIG. 8.0



Ryggstöd: Transportsäkerhet

Ryggstödet har testats dynamiskt för användning på en rullstol som transporteras i ett motorfordon. Följ alla anvisningar för montering, användning och underhåll i denna handbok liksom transportinstruktionerna nedan.

⚠ VARNINGAR

- Avståndet mellan övre delen av brukarens skuldra och den övre delen av ryggskalet får inte överskrida (3") 7,6 cm.
- Avståndet mellan övre delen av brukarens skuldra och den övre delen av ryggskalet får inte överskrida (3") 7,6 cm.
- Rullstolen måste vara märkt som lämpad för bruk som säte i ett motorfordon, dynamiskt testad, uppfyllande prestandakraven i ISO Standard 7176-19 samt vara monterad och underhållen enligt tillverkarens instruktioner.
- Om det ursprungliga rullstolssätet ersatts måste det nya vara godkänt för transport i fordon, samt vara monterat och användas enligt tillverkarens instruktioner.
- Rullstolens system för fästande och användarsäkerhet ska vara kompatibelt med den specifika rullstolen, användas som angivet i tillverkarens instruktioner och ska uppfylla kraven i ISO Standard 10542.
- Rullstolen måste vara vänd framåt under transport.
- För att reducera skaderisken för fordonets brukare bör monterade tillbehör såsom brickor och icke nödvändig utrustning avlägsnas och förvaras separat.
- Produkten är avsedd för användning av brukare med vikt från 10 till 75 kg.
- Hållningsstöd som höftpositioneringsbälten, främre bälstöd osv. ska inte användas som säkrande av en användare i ett fordon i rörelse, annat än om de är märkta som uppfyllande ISO Standard 16840-4.
- Förändringar av struktur, delar eller komponenter skall inte utföras utan samråd med tillverkaren.
- **UNDERLÅTENHET ATT FÖLJA DESSA VARNINGAR KAN LEDA TILL ALLVARLIGA PERSONSKADOR HOS RULLSTOLENS BRUKARE ELLER ANDRA.**

Borttagning Och Omplacering**Avlägsna**

Efter montering och justering kan ryggstödet enkelt avlägsnas från rullstolen vid behov. För att avlägsna ryggstödet, dra handtaget bakåt, rotera uppåt, och avlägsna sedan från fästena.

Sätta tillbaka ryggstödet korrekt efter borttagning

För att sätta tillbaka ryggen i fästena, dra snöret nedåt, sätt tillbaka ryggstödet i fästena och rotera ner.

⚠ VARNING

Om du är osäker på om du har hört låsningen "klicka", dra uppåt på ryggstödet för att se till att det har blivit säkert låst.

24 Månaders Begränsad Garanti

Varje JAY ZIP Ryggstöd är noggrant inspekterat och testat för att ge högsta prestanda. Varje JAY ZIP Ryggstöd är garanterat fritt från defekter i material och utförande under en period på 24 månader från inköpsdatum, vid normal användning. Om en brist i material eller utförande skulle uppstå inom 24 månader från det ursprungliga inköpsdatumet så kommer Sunrise Medical, efter eget val, att reparera eller ersätta dynan kostnadsfritt. Denna garanti gäller ej punktering, förslitning eller brännmärken och gäller ej för ryggstödsöverdraget. Krav och reparationer ska skötas av närmaste behöriga hjälpmedelscentral.

Förutom de uttryckliga garantier som angivits i detta dokument så gäller inga påstådda garantier för säljbarhet, inga garantier för lämplighet för ett visst ändamål och inga andra garantier. Garantin gäller ej utöver beskrivningen i detta dokument. Köparens enda kompensation vid brott mot de uttryckliga garantier som beskrivs i detta dokument är att varan repareras eller ersätts. Skadestånd vid brott mot någon garanti kan under inga omständigheter innefatta några följdskador eller överstiga kostnaden för den felaktiga varan.

⚠ ADVARSEL

Sunrise Medical anbefaler at du rådfører deg med en lege eller en terapeut som har erfaring med rullestolseter og sittestillinger, for å finne ut om en ZIP-rygg vil være egnet for ditt bruk.
Ryggen skal kun monteres av en autorisert Sunrise Medical-forhandler.

JAY ZIP-rygg (Fig.1.0)

JAY ZIP-ryggen er konstruert til å gi brukeren viktige funksjoner for støtte av ryggen for barn med en rekke forskjellige behov.

Den gir naturlig, komfortabel og effektiv støtte for å maksimere stolens funksjon og øke sittekomforten. I tillegg er ryggen lett, slitesterk og lettånvendig.

Maksimal brukervekt: 75 kg

⚠ ADVARSLER

- Montering av en ryggstøtte kan påvirke rullestolens tyngdepunkt. Dette kan gjøre at stolen tipper bakover, som igjen kan føre til personskaade.
- Du bør derfor alltid vurdere bruk av tippesikringer eller amputasjonsbraketter på rullestolen for å øke dens stabilitet.
- Ikke skyv eller løft rullestolen ved bruk av ryggen. Feil bruk kan gjøre at ryggen plutselig løsner fra rullestolen.
- Ikke løft rullestolen ved bruk av håndtaket på ryggen. Det er kun ment til å demontere ryggen.



VEDLIKEHOLD

- Sunrise anbefaler at alle festeanordninger kontrolleres for slitasje, slik som løse bolter eller skadde komponenter, hver 6. måned.
- Løse festeanordninger skal strammes i henhold til monteringsinstruksjonene.
- Alle festebraketter må strammes i henhold til spesifikasjonene beskrevet i avsnittet om montering av festebraketter.
- Ta kontakt med Sunrise Medical umiddelbart for å skifte ut eventuelt skadde komponenter.

⚠ ADVARSEL

- Du må ikke fortsette å bruke utstyret dersom du oppdager løse eller skadde komponenter.

MERK: Ryggen leveres med en skiftenøkkel for enkel montering/demontering.

ENKEL RENGJØRING (Fig. 2.0)**⚠ ADVARSEL**

Når ryggen tas fra hverandre for å rengjøres, legg merke til plasseringen av lumbaldelene med borrelås, slik at du setter sammen ryggen på riktig måte igjen.

Vaske ryggtrekket

Ta av trekket ved å åpne borrelåsen.

Fjern trekket fra ryggskallet.

Finn glidelåsen nederst på trekket, og åpne den.

Ta ut skumdelen med det innvendige trekket, og vring deretter trekket. Lukk trekket for å unngå at det henger seg fast.

Maskinvask i varmt vann (60 °C)

La trekket lufttørke på naturlig måte eller i trommel på lav varme.

⚠ ADVARSEL

- Trekket skal ikke kjemisk renses, eller vaskes eller tørkes i industrimaskin.
- Trekket må ikke dampes i trykkoker/autoklaveres.
- Trekket må ikke blekes.
- Legg skumdelen med det innvendige trekket tilbake i det ytre trekket.

MERK: Basen har to lag med skum. Når du setter tilbake skumdelen, pass på at den tynne og faste lysgrå skumdelen ligger mot skallet, og at den myke skumdelen peker opp mot brukeren.

Når skumputen er på plass i trekket, lukk glidelåsen.

Rengjøre ryggskallet og det innvendige trekket

Skallet og det innvendige trekket kan tørkes rent med såpe og vann.

Det er ikke nødvendig med annet vedlikehold enn dette.

Rengjøre delene.

Delene kan vaskes med såpevann.

⚠ ADVARSEL

- Legg ikke delene i vann.

Hvis du har spørsmål angående rengjøring av stolen, vennligst ta kontakt med din Sunrise Medical-kontakt.

VASKEANVISNINGER	
	Maskinvask i varmt vann (60 °C)
	Kun klorfritt blekemiddel.
	Lufttørkes
	Må ikke strykes
	Må ikke renses

FIG. 2.0

FASTSETTE KOMPATIBILITET**Rullestoltyper**

ZIP-ryggen er konstruert til å passe de fleste rullestoler med følgende unntak:

⚠ ADVARSEL

- Ryggen skal ikke brukes på rullestoler som er vinkeljusterbare, med vippe- og tiltfunksjon hvor vinkelen på ryggen vil overstige 60 grader.
- Hvis ryggen brukes på disse rullestoltypene, kan den falle av ved et uhell. Dette kan igjen gjøre at brukeren faller ut av stolen og pådrar seg personskader.

Rullestoldimensjoner

JAY ZIP-ryggen er konstruert til å erstatte rullestolens ryggstøtte.

Før ryggen monteres må du kontrollere om rullestolen er utstyrt med

kompatible ryggør. Du kan gjøre dette ved å måle avstanden mellom ryggørene, slik vist i Fig. 3.0.

Kontroller dette målet med spesifikasjonene i Figur 4.0 for å avgjøre om ryggen vil passe i rullestolen.

Kontroller at ryggørene har en kompatibel diameter.

Festene for ZIP-ryggen kan monteres på ryggør med en diameter på 3/4" (19 mm) (med innlegg), 7/8" (22-23 mm) (med foring) eller 1" (25-25,5 mm) (uten innlegg). (Fig. 5.0).

⚠ ADVARSEL

Hvis du ikke kan avgjøre om ryggørene er kompatible, ta kontakt med din autoriserte Sunrise Medical-forhandler eller Sunrise Medicals kundesenter.

FIG. 3.0

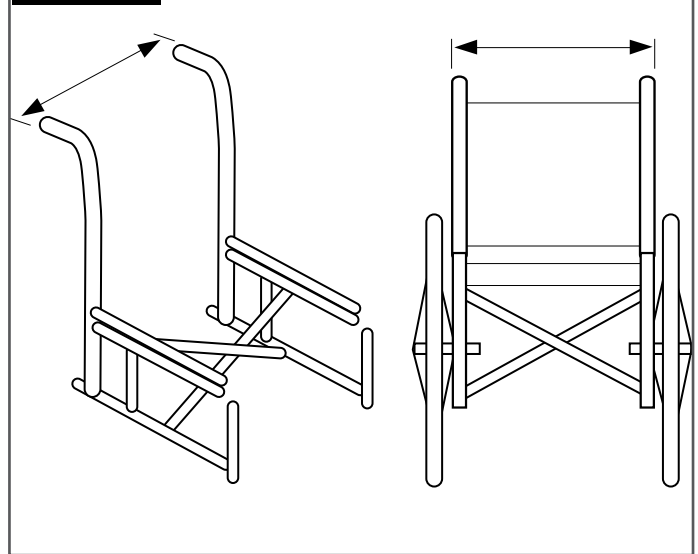
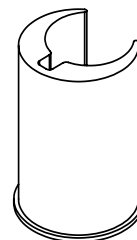


FIG. 4.0

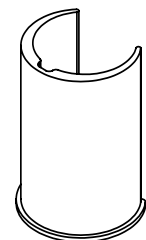
Bredde på ryggør fra rørenes ytterkanter (Fig. 3.0)

ZIP-rygg med* (alle modeller)	Minimal bredde		Maksimal bredde	
	Tommer	mm	Tommer	mm
8" (20 cm)	7,875	20,00	9,125	23,18
10" (25 cm)	9,875	25,00	11,125	28,26
12" (30 cm)	11,875	30,16	13,125	33,34
14" (35 cm)	13,875	35,24	15,125	38,42

FIG. 5.0



Innlegg for ryggør med
3/4" (19 mm)
diameter



Innlegg for ryggør med
7/8" (22-23 mm)
diameter

MONTERE FESTENE

Les igjennom følgende instruksjoner før du monterer ryggen.

Monter JAY ZIP-ryggen når brukeren ikke sitter i stolen. Når ryggen er montert og det er nødvendig å finjustere den, kan brukeren sette seg tilbake i rullestolen.

Nødvendig verktøy (inkludert)
10 mm skiftenøkkel



Instruksjoner for montering av festene (Fig. 6.0)

- Demonter den nåværende ryggen på rullestolen i henhold til produsentens spesifikasjoner.
- Avgjør (visuelt) i hvilken høyde du ønsker å montere festebrakettene på rullestolens ryggør.
- Festene skal plasseres i samme høyde på hver av ryggørerne, parallelt med seterammen.
- Det er generelt bedre å montere festene høyere opp på ryggørerne, fordi det er enklere å justere høyden ved å skyve ryggen nedover.

Fest brakettene.

- Løsne klemmeskruene (A) med den medfølgende 10 mm skiftenøkkelen. MERK – På rør med stor diameter, kan det være nødvendig å ta klemmeskruene helt av.
- Fest og tilpass brakettene på stolens ryggør.
- Stram klemmeskruene (A) for hånd.

MERK: Det kan være nødvendig å justere brakettene sideveis for best mulig tilpasning.

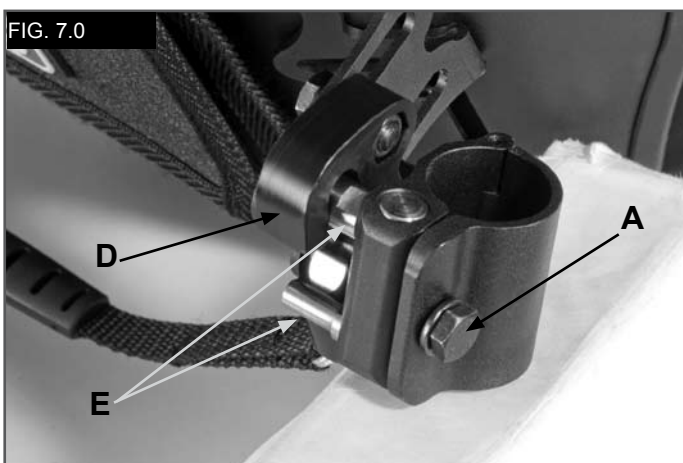
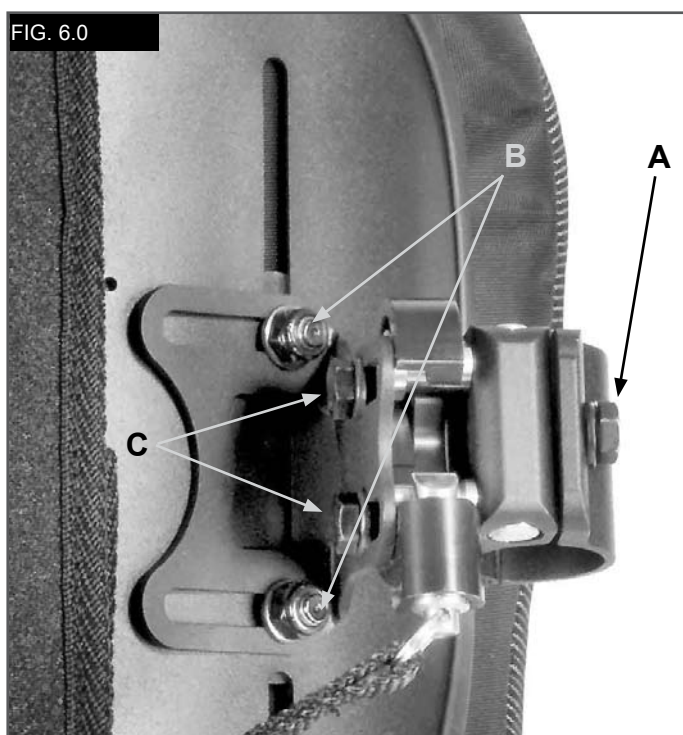
Feste og juster ryggskallet (Fig. 6.0 - 7.0)

- Løsne brakettmutterne (B) og festeboltene (C) ved bruk av den 10 mm skiftenøkkelen, til festene lett kan flyttes i alle retninger.
- Fest ZIP-ryggen til festebrakettene ved å skyve de høyre og venstre festekrokene (D) inn i de høyre og venstre festebrakettene (E).
- Sett ryggen i beste stilling i forhold til både rullestolen og brukeren.
- Stram boltene på innsiden av festekrokene (D).
- Det anbefalte dreiemomentet er 11,3 - 12,4 Nm. MERK - Det kan være nødvendig å justere dybden og vinkelen på ryggen ytterligere for å gjøre den mest mulig komfortabel for brukeren.
- Stram brakettmutterne (B). Det anbefalte dreiemomentet er 8,5 - 9,3 Nm.

MERK: Det kan være nødvendig å justere høyden på ryggen ytterligere for å sikre optimal tilpasning for brukeren.

- Kontroller ryggens utløsermekanisme ved å skyve utløserspaken nedover og ta ryggen av stolen. (Se avsnittet om montering og demontering for ytterligere informasjon).
- Festebrakettene er riktig montert når ryggen lett kan tas av og på stolen.
- Hvis ryggen ikke er riktig montert må du justere festene til de er riktig stilt inn.
- Når festene er riktig justert, strammer du til klemmeskruene på braketten.

MERK: Det anbefalte dreiemomentet er 8,5 - 9,3 Nm.



JUSTERE HØYDEN, DYBDEN OG VINKELN PÅ JAY ZIP-RYGGEN

Når brukeren sitter i stolen, juster ryggens høyde, dybde og vinkel for å oppnå best mulig sittestilling for brukeren.

⚠ ADVARSEL

- Fordi ryggen ikke er strammet til med det nødvendige tiltrekkingsmomentet, må du ikke la brukeren lene seg tilbake med full tyngde.

Justere høyden (Fig. 8.0)

- Juster ryggen til ønsket høyde mens brukeren sitter i stolen.
- Når ønsket høyde er oppnådd, må du be brukeren lene eller skyve seg litt forover i setet, slik at ryggen kan justeres.
- Skru opp brakettmutrene (B) og juster høyden på ryggskallet til ønsket stilling.
- Stram brakettmutrene (B) forsvarlig.
- Det anbefalte dreiemomentet er 8,5 - 9,3 Nm.

MERK: Når høyden er justert, kontroller at bredden ikke har blitt endret ved et uhell under stramming av mutrene.

Dybde-/vinkeljustering (Fig. 8.0)

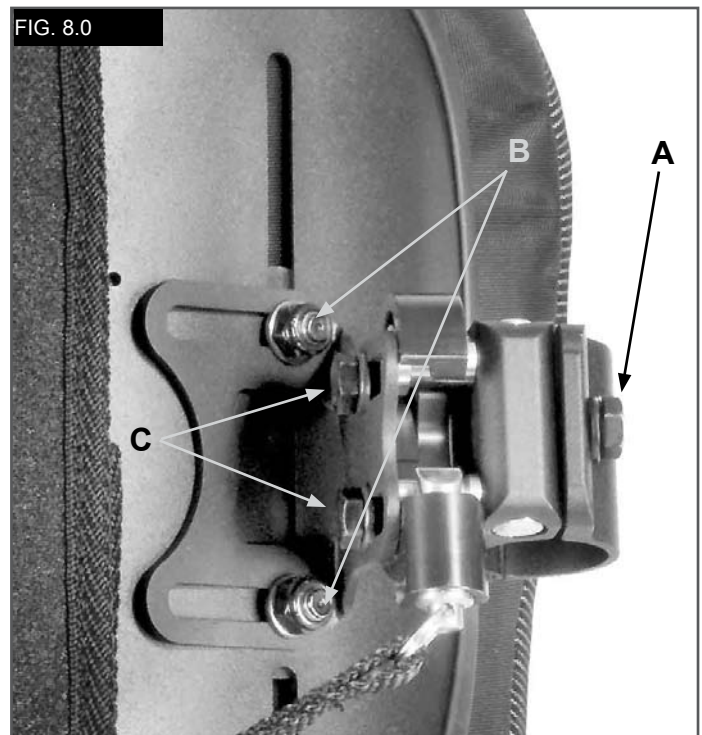
Festene gir en fremre dybdejustering på 1,6" (40,5 mm) og 3" (76,2 mm) med reverserende fester.

- For å justere ryggens dybde og vinkel, løsne de høyre og venstre boltene (C) på brakettsporene.
- Juster dybden og/eller vinkelen, og stram mutrene forsvarlig til.
- Det anbefalte dreiemomentet er 11,3 - 12,4 Nm.
- Forsikre deg om at ingen av dybdejusteringsmutrene (C) kan skli eller rotere.

⚠ ADVARSEL

Forsikre deg om at alle festene er forsvarlig strammet når du har utført alle justeringene og ryggen er klar til bruk.

FIG. 8.0



TRANSPORTSIKKERHET FOR RYGG

Ryggen er dynamisk testet for bruk på en rullestol som transporteres i et kjøretøy.

Du må følge alle instruksjonene som er oppgitt i denne brukerveiledningen angående montering, bruk og vedlikehold, samt transportinstruksjonene beskrevet nedenfor.

⚠ ADVARSLER

- Brukeren skal forflyttes til et bilsete og bruke bilens sikkerhetsbelte, så langt det lar seg gjøre.
- Avstanden mellom den øvre delen på brukerens skulder og den øvre delen på ryggskallet skal ikke overstige 3" (7,6 cm).
- Rullestolen må være merket og godkjent for bruk som et sete i en bil, dynamisk testet i henhold til kravene i ISO-standard 7176-19, samt installeres, brukes og vedlikeholdes i henhold til produsentens instruksjoner.
- Hvis det originale rullestolsetet erstattes, må det nye setet være godkjent for transport, samt installeres og brukes i henhold til produsentens instruksjoner.
- Rullestolens festesystem og brukerens sikkerhetssystem skal være kompatibelt med den bestemte rullestolen, brukes i henhold til produsentens instruksjoner, samt overholde ytelseskravene i ISO-standard 10542.
- Rullestolen må alltid peke forover i bilens kjøreretning under transport.
- For å redusere faren for personskade til rullestolebrukeren, må utstyr som er festet til stolen, slik som brett og ikke vesentlig utstyr, tas av stolen og oppbevares separat i kjøretøyet.
- Dette produktet er egnet for brukere med en kroppsvekt på mellom 10 og 75 kg.
- Sittestillingsutstyr slik som hoftebelter, sidestøtter eller brystseleer mm vil ikke gi tilstrekkelig sikkerhet for brukeren under transport i et kjøretøy, med mindre slikt utstyr er merket som i overensstemmelse med ISO-standard 16840-4.
- Du må ikke endre rullestolens konfigurasjon, deler eller komponenter uten først å rådføre deg med leverandøren.
- **HVIS DISSE ADVARSLERNE IKKE OVERHOLDES, KAN DET FØRE TIL ALVORLIGE PERSONSKADER FOR RULLESTOLBRUKEREN OG ANDRE PERSONER.**

MONTERING OG DEMONTERING**Demontering**

Om nødvendig, kan ryggen lett tas av rullestolen ved å følge instruksjonene for montering og demontering av ryggen.

For å ta av ryggen, skyv håndtaket på ryggen ned, vri det opp og trekk deretter ryggen ut av brakettene.

Riktig montering etter demontering av ryggen

For å feste ryggen til brakettene, trekk snoren ned, sett ryggen i brakettene og vri håndtaket ned.

⚠ ADVARSEL

Hvis du ikke hørte et "klikk", trekk ryggen opp for å forvise om at den er forsvarlig låst på plass.

GARANTI

2 ÅRS BEGRENSET GARANTI

Hver JAY ZIP-rygg er nøye kontrollert og testet for å gi maksimal ytelse.

JAY ZIP-ryggen leveres med en

to års garanti mot material- og produksjonsfeil fra kjøpedatoen ved normal bruk av produktet. Dersom det oppstår en fabrikkasjons- eller materialfeil i løpet av 2 år fra den opprinnelige kjøpsdatoen, vil Sunrise Medical etter skjønn reparere eller erstatte puten uten omkostninger for kunden.

Garantien gjelder ikke punkteringer,

rifter, brennmerker eller ryggens avtakbare trekk.

Eventuelle krav eller reparasjoner skal gjøres gjennom din autoriserte forhandler.

Med unntak av de bestemte garantiene som er beskrevet her, skal ingen andre garantier, inkludert indirekte garantier om salgbarhet eller egnethet for et bestemt formål, gjelde.

Ingen andre garantier enn de som er beskrevet her skal gjelde.

Ved et eventuelt brudd på de bestemte garantiene som er beskrevet her, skal den eneste erstatningen være å reparere eller erstatte produktet.

Ved et eventuelt brudd på disse garantiene, skal ikke erstatningen under noen omstendigheter inkludere følgeskader eller overstige prisen på produktene som er solgt.

! VAROVÁNÍ

Společnost Sunrise Medical doporučuje, konzultovat se zdravotníkem, jako je například doktor nebo terapeut, se zkušenostmi při usazování a polohování pacienta ve vozíku, zda je Zádová opěrka ZIP BACK vhodná. Zádová opěrka by měla být instalována autorizovaným dodavatelem společnosti Sunrise Medical.

JAY ZIP Back (Obr. 1.0)

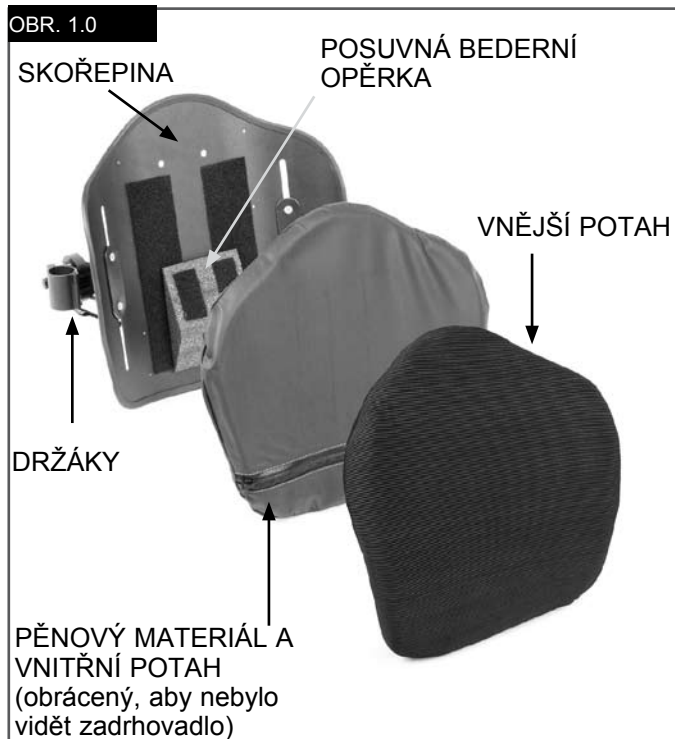
Zádová opěrka pro děti JAY ZIP Back je navržena tak, aby poskytovala důležitý prospěch jako řádná opora zad u široké škály dětských uživatelů.

Poskytuje jednoduchou, komfortní a efektivní oporu pro maximalizaci funkce a zvýšení tolerance sezení. Kromě toho je lehký, trvanlivý a snadno se používá.

Maximální hmotnost uživatele: 75 kg

! VAROVÁNÍ

- Instalace zádové opěrky na invalidní vozík může ovlivnit těžiště invalidního vozíku a může způsobit převrácení vozíku dozadu, což může mít za následek vznik úrazu.
- Vždy zvažte, zda není potřeba použít jistící kolečka proti překlopení nebo adaptéry pro pacienty s amputovanými končetinami a přimontovat je na invalidní vozík pro zvýšení jeho stability.
- Nepoužívejte zádovou opěrku pro tlačení nebo zvedání invalidního vozíku. Nesprávné použití může mít za následek neočekávané oddělení zádové opěrky od invalidního vozíku.
- Nepoužívejte držadlo zádové opěrky pro zvedání invalidního vozíku. Je určena pouze k odstranění zádové opěrky.



ÚDRŽBA

- Sunrise doporučuje kontrolu všech upevňovacích prvků, zda nejsou opotřebované jedenkrát za 6 měsíců, např. zda nejsou povolené šrouby nebo rozbité komponenty.
- Uvolněné upevňovací prvky je třeba dotáhnout podle pokynů pro instalaci.
- Všechny upevňovací prvky je třeba dotáhnout na krouticí moment podle specifikací uvedených v oddíle o instalaci držáků.
- V případě rozbití jakéhokoliv komponentu kontaktujte neprodleně svého autorizovaného dodavatele za účelem výměny.

VAROVÁNÍ

- Po nalezení uvolněných nebo rozbitých komponent systém nadále nepoužívejte.

POZNÁMKA: Pro vaše pohodlí byl k opěradlu přiložen klíč na utahování šroubů.

SNADNÉ ČIŠTĚNÍ (Obr. 2.0)

POZOR

Když rozkládáte opěrku z důvodu čištění, zapamatujte si kvůli správnému opětovnému sestavení pozici bederní opěrky.

Čištění potahu zádové opěrky

Sejměte potah uvolněním suchých zipů.

Sejměte potah ze skořepiny zádové opěrky.

Nalezněte zip na spodku potahu a otevřete jej.

Vyjměte pěnový materiál s vnitřním potahem a obraťte povlak naruby. Zavřete zip, aby se nezatrhl.

Perte v pračce v teplé vodě (60° C).

Odstředte nebo sušte v sušičce při nízké teplotě.

POZOR

- Potah nenechávejte chemicky čistit ani prát a sušit v průmyslových pračkách a sušičkách.
- Neautoklávejte jej parou.
- Nebělte.
- Vraťte pěnový materiál s vnitřním potahem zpět do potahu.

POZNÁMKA: Základna má dvě vrstvy pěnového materiálu. Když vkládáte pěnový materiál zpět, ujistěte se, že je tenčí tužší světle šedá pěna směrem ke skořepině a měkčí pěna směrem k uživateli. Po zajištění pěnové vložky v potahu zavřete zip.

Čištění skořepiny zádové opěrky a vnitřního potahu
Skořepina a vnitřní potah mohou být otřeny mýdlovou vodou.

Žádná jiná údržba není zapotřebí.

Čištění polohovacích komponent






Polohovací komponenty lze vyčistit dočista s použitím vody a mýdla.

POZOR

- Neponořujte polohovací komponenty pod vodu.

Pokud máte jakékoli další otázky k postupům čištění, obraťte se na svého autorizovaného dodavatele Sunrise Medical.

SYMBOLY PRO PRANÍ A ÚDRŽBU TEXTILIÍ

	Perte v pračce v teplé vodě (60° C)
	Bělte jinými prostředky než chlórem, v případě potřeby
	Nechejte okapat do sucha
	Nežehlete
	Nečistěte chemicky

OBR. 2.0

URČENÍ KOMPATIBILITY

Typy invalidních vozíků

Dětská zádová opěrka ZIP BACK je navržena tak, aby byla kompatibilní s většinou invalidních vozíků mimo následující výjimky:

VAROVÁNÍ

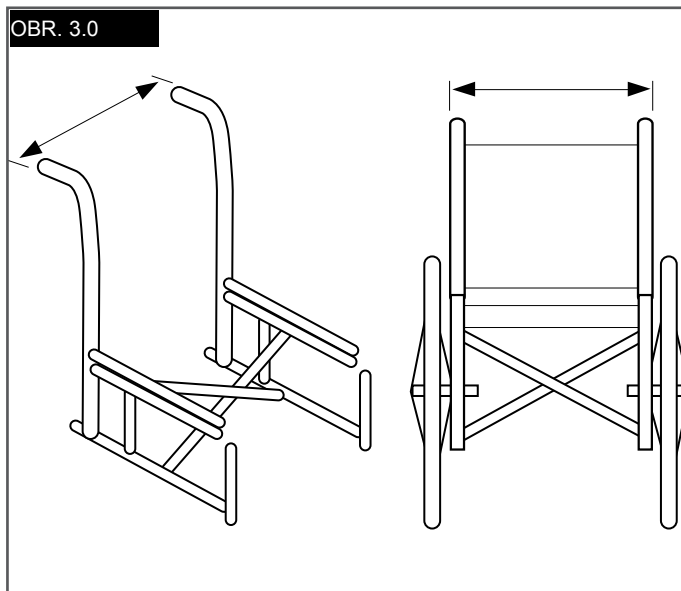
- Invalidní vozíky, které jsou úhlově nastavitelné, lze je naklánět a naklápět a úhel je pak větší než 60 stupňů vzhledem k vertikále, by se neměly používat.
- Při použití invalidních vozíků těchto typů může dojít k nechtěnému odpojení zádové opěrky od invalidního vozíku s následkem pádu a možností závažného zranění.

Rozměry invalidního vozíku

Dětské Zádová opěrka JAY ZIP Back je navržena jako náhrada za potah zad invalidního vozíku. Před instalací zjistěte, zda má invalidní vozík kompatibilní zadní trubky měřením šířky mezi zadními trubkami, jak je znázorněno na obrázku 3.0. Pomocí tohoto měření, viz obrázek 4.0 určete, zda bude zádová opěrka pasovat na Váš vozík. Pak zkontrolujte, zda mají trubky kompatibilní průměr. Držáky zádové opěrky ZIP Back mohou být namontovány na zadní trubky o průměru 19mm (s vložkou), 22-23mm (s vložkou) nebo 25-25,5mm (bez vložky). (Obr. 5.0).

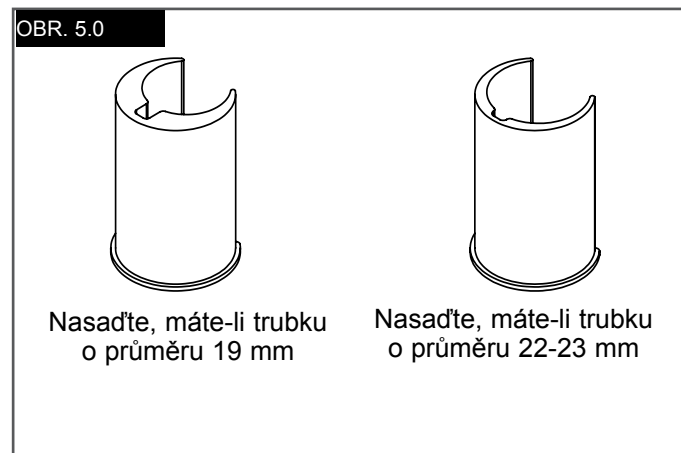
POZOR

Pokud nemůžete určit, zda jsou trubky zádové opěrky kompatibilní, obraťte se, prosím, na svého autorizovaného dodavatele Sunrise Medical nebo na služby zákazníkům Sunrise Medical.



OBR. 4.0

Šířka zádové opěrky ZIP Back* (všechny tvary)	Šířka trubek zádové opěrky od vnější strany trubek k vnější straně trubek (Obr. 3.0)			
	Minimální šířka palců mm		Maximální šířka palců mm	
8" (20 cm)	7,875	20,00	9,125	23,18
10" (25 cm)	9,875	25,00	11,125	28,26
12" (30 cm)	11,875	30,16	13,125	33,34
14" (35 cm)	13,875	35,24	15,125	38,42



INSTALACE UPEVNŮVACÍCH DRŽÁKŮ

Před zahájením instalace si přečtěte následující pokyny.

Při instalaci dětské zádové opěrky JAY ZIP Back začněte bez uživatele v invalidním vozíku. Po instalaci zádové opěrky, když jsou zapotřebí drobné úpravy, může se uživatel opět usadit v invalidním vozíku.

**Je potřeba náradí (součástí dodávky)
10 mm klíč**



Pokyny k instalaci držáků (Obr. 6.0)

- Odstraňte z invalidního vozíku stávající zádovou opěrku podle pokynů výrobce invalidního vozíku.
- Vizualně určete požadované umístění držáků na trubkách zádové opěrky invalidního vozíku.
- Namontované držáky by měl být na zadním sloupku v přibližně stejné výšce a paralelně s rámem sedadla.
- Vyšší umístění na zadních trubkách je obecně lepší.

Nasazení držáků.

- Přiloženým 10 mm klíčem povolte upínací šroub (A). **UPOZORNĚNÍ** – Pro velké průměry trubek je možné upínací šrouby odstranit úplně.
- Nasadte držáky na trubky zádové opěrky invalidního vozíku a vyrovnejte je.
- Dotáhněte ručně upínací šrouby (A).

UPOZORNĚNÍ: Držáky mohou vyžadovat další boční nastavení, aby bylo zajištěno správné vyrovnaní.

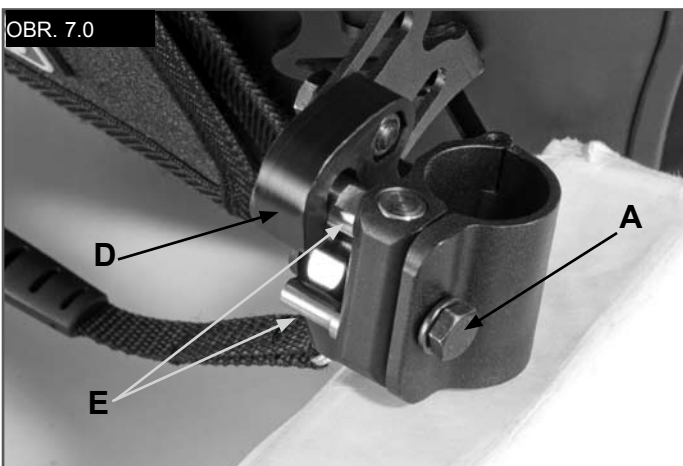
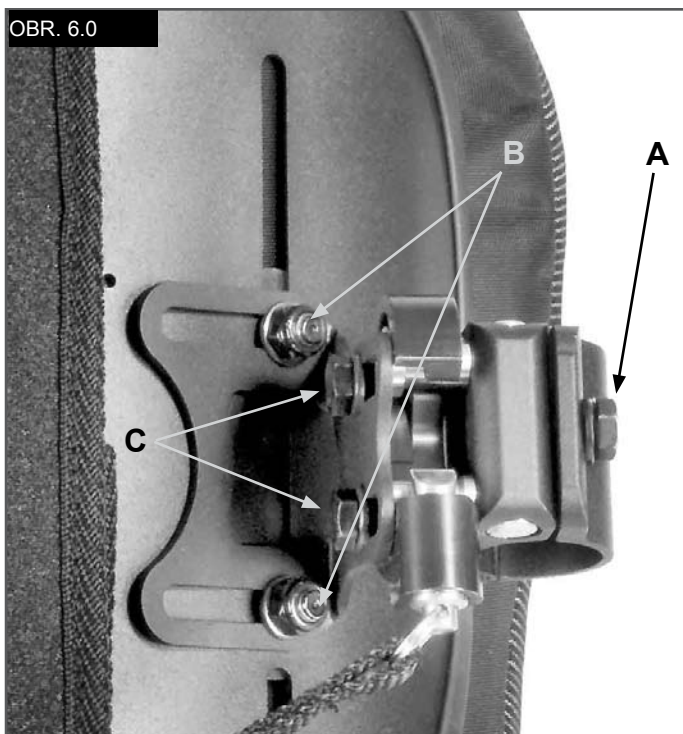
Přípevnění a vyrovnaní skořepiny zádové opěrky (Obr. 6.0-7.0)

- Pomocí 10 mm klíče povolte matky (B) závěsné čepy (C) tak, aby se mohl držák pohybovat lehčeji v obou směrech.
- Zádová opěrka ZIP BACK nasadíte zaháknutím levého a pravého upevňovacího háku (D) na levý a pravý držák (E).
- Umístěte zádovou opěrku vhodným způsobem vzhledem k invalidnímu vozíku i uživateli.
- Utáhněte šrouby na vnitřních stranách montážních háků (D).
- Doporučená specifikace krouticího momentu je 100 - 110 inlbs. (11,3 - 12,4 Nm). **UPOZORNĚNÍ** – Hloubka a úhel zádové opěrky budou možná vyžadovat další nastavení, aby vyhovovaly uživateli.
- Dotáhněte matice konzoly (B). Doporučená specifikace krouticího momentu je 75 - 85 in-lbs. (8,5 - 9,3 Nm).

UPOZORNĚNÍ: Výška zádové opěrky může vyžadovat nastavení, aby vyhovovala uživateli.

- Zatáhnutím uvolňovací rukojeti dolů vyzkoušejte uvolnění a sejmутí zádové opěrky z vozíku. (Další podrobnosti naleznete v oddíle Sejmутí a výměna.)
- Správné vyrovnaní upevňovacího držáku a zádové opěrky dosáhnete, pokud lze snadno a hladce Zádová opěrka připevnit a uvolnit.
- Pokud nebylo dosaženo správného vyrovnaní, seřiďte součásti tak, aby byly vyrovnány správně.
- Po dosažení správného vyrovnaní dotáhněte upínací šrouby držáku.

UPOZORNĚNÍ: Doporučená specifikace krouticího momentu je: 75 - 85 in-lbs (8,5 - 9,3 Nm).



NASTAVENÍ VÝŠKY, HLOUBKY A ÚHLU zádové opěrky JAY ZIP

S uživatelem usazeným ve vozíku nastavte výšku, hloubku a úhel tak, aby vyhovoval jeho požadavkům.

⚠ VAROVÁNÍ

- Uživatel by se neměl o zádovou opěrku opírat naplno, protože není vše plně dotaženo podle požadavků na krouticí moment.

Nastavení výšky (Obr. 8.0)

- Určete požadovanou výšku zádové opěrky s uživatelem sedícím na vozíku.
- Po určení výšky by měl uživatel uvolnit tlak působící na zádovou opěrku nakloněním nebo posunutím částečně dopředu, pokud je to možné, aby bylo možné provést nastavení.
- Povolte matice konzoly (B) a nastavte výšku skořepiny do požadované polohy.
- Bezpečně dotáhněte matice konzoly (B).
- Doporučená specifikace krouticího momentu je 75-85 in-lbs. (8,5 - 9,3 Nm).

POZNÁMKA: Poté, co bude dokončeno nastavení výšky, zkontrolujte, zda nebyla při utahování šroubů nechtěně změněna šířka.

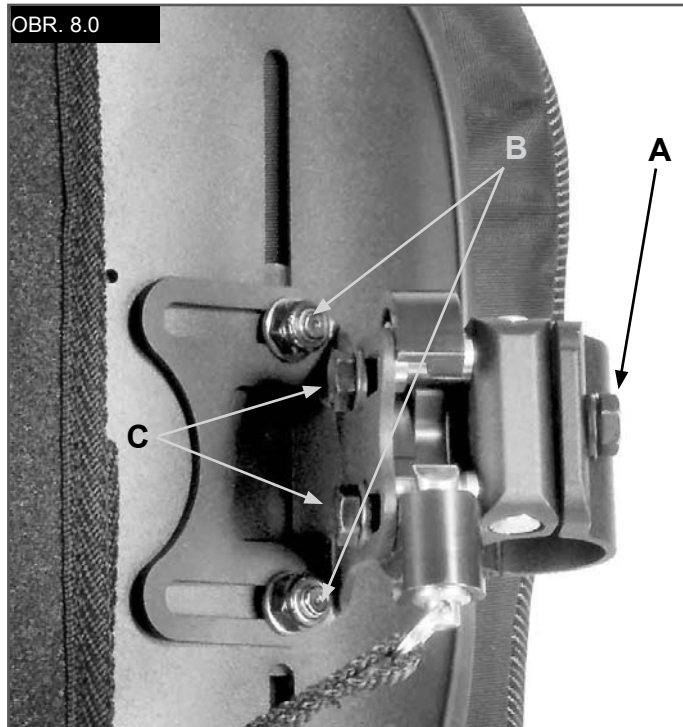
Nastavení hloubky/úhlu (Obr. 8.0)

Držáky umožňují nastavení hloubky směrem dopředu do 40,5 mm a 76,2 mm s reverzním držákem.

- Pro nastavení hloubky a úhlu uvolněte levý a pravý šroub (C) na konzolu.
- Nastavte hloubku a/nebo úhel a bezpečně dotáhněte.
- Doporučená specifikace krouticího momentu je 100-110 in-lbs. (11,3 - 12,4 Nm).
- Zkontrolujte, zda se matice pro nastavení hloubky (C) nesmeskovájí nebo neotáčí.

⚠ VAROVÁNÍ

Po dokončení celého seřízení držáků se ujistěte, že bylo vše řádně dotaženo a zádová opěrka je připravena k použití.



BEZPEČNOST zádová opěrka PŘI PŘEPRAVĚ

Toto zádová opěrka prošlo zátěžovými testy pro použití na invalidním vozíku během transportu v motorovém vozidle.

Dodržujte, prosím, všechny pokyny k použití a údržbě, uvedené v této příručce, a pokyny pro přepravu uvedené níže.

⚠ VAROVÁNÍ

- Pokud je to možné a proveditelné, uživatel by se měl přesunout na sedadlo vozidla a použít bezpečnostní pásy.
- Vzdálenost mezi vrškem ramen uživatele a vrškem zádové opěrky by neměla přesáhnout 7,6 cm.
- Invalidní vozík musí být patřičně označen jako vhodný k použití jako sedadlo v motorovém vozidle, dynamicky testován podle požadavků na výkon normy ISO 7176-19, a nainstalován, používán a podrobován údržbě podle pokynů výrobce.
- Pokud bylo originální sedadlo invalidního vozíku nahrazeno, nové sedadlo musí být schváleno pro přepravu invalidního vozíku, nainstalováno a používáno podle pokynů výrobce.
- Zádržné systémy pro invalidy (WTORS-The Wheelchair Tie down and Occupant Restraint System) by měly být kompatibilní s určitým invalidním vozíkem, měly by být použity tak, jak je udáno v pokynech výrobce a měly by být v souladu s požadavky na provoz podle standardu ISO 10542.
- Invalidní vozík musí při přepravě směřovat dopředu.
- Aby bylo sníženo nebezpečí zranění osob přepravovaných ve vozidle, mělo by být příslušenství invalidního vozíku, jako jsou koše a vybavení, které není nezbytné, odstraněno a zabezpečeno odděleně.
- Tento výrobek je určen pro uživatele o hmotnosti 10 až 75 kg.
- Na zařízení pro oporu polohy, jako jsou pánevní polohovací pásy, přední opory trupu nebo opory polohy jako boční opory polohy by nemělo být spoléháno jako na zádržný systém uživatele v jedoucím vozidle, pokud nejsou označena, že splňují požadavky normy ISO 16840-4.
- Na konstrukci, součástech nebo komponentách by neměly být prováděny změny bez konzultace s výrobcem.
- **NERESPEKTOVÁNÍ TĚCHTO VAROVÁNÍ MŮŽE ZPŮSOBIT ZÁVAŽNÉ ZRANĚNÍ UŽIVATELE INVALIDNÍHO VOZÍKU NEBO JINÝCH OSOB**

ODSTRANĚNÍ A VÝMĚNA**ODSTRANĚNÍ**

Po instalaci a nastavení lze zádová opěrka v případě potřeby snadno sejmout z invalidního vozíku. Pro odstranění zatáhněte uvolňovací rukojeť zádové opěrky dolů, otočte jej nahoru a poté jej sejměte z držáků.

Správné opětovné nasazení po sejmutí

Pro nasazení zpět do držáků zatáhněte za pásek směrem dolů, nasadte zpět na držáky a otočte opěradlem dolů.

 VAROVÁNÍ

Nejste-li si jisti, že jste slyšeli zapadnutí zámku, zatáhněte za zádovou opěrku směrem nahoru a ujistěte se, že je řádně zaklesnuto.

ZÁRUKA**OMEZENÁ ZÁRUKA 24 MĚSÍCŮ**

Každá dětská zádová opěrka JAY ZIP Back je pečlivě prohlédnuta a testována, aby byl zajištěn špičkový provoz.

Ručíme za to, že žádná zádová opěrka JAY ZIP Back nebude mít, při normálním provozu, vady na materiálu ani vady zpracování po 24 měsících od data koupě. Pokud dojde k vadě materiálů nebo zpracování do 24 měsících od data koupě, společnost Sunrise Medical výrobek bezplatně opraví nebo vymění, dle svého rozhodnutí.

Tato záruka se nevztahuje na propíchnutí, natržení nebo propálení ani na snímatelný potah zádové opěrky.

Reklamáce vyřizuje a opravy zajišťuje nejbližší autorizovaný dodavatel.

Kromě záruk, které jsou zde výslovně uvedeny, jsou vyloučeny veškeré ostatní záruky, včetně odvozených záruk na prodejnost a záruk vhodnosti k určitému účelu. Neexistují žádné záruky nad rámec záruk, které jsou zde popsány.

Náhrady za porušení záruk, které jsou zde výslovně uvedeny, jsou omezeny na opravu nebo výměnu tohoto zboží.

V žádném případě nekryje záruka na škody žádné následné škody nebo překročení nákladů při prodeji nevyhovujícího zboží.

! OSTRZEŻENIE

Firma Sunrise Medical zaleca, aby opiekun kliniczny, np. lekarz czy terapeuta, doświadczony w osadzaniu i pozycjonowaniu sprawdził i określił, czy oparcie jest odpowiednie.

Oparcia powinny być montowane jedynie przez autoryzowanego dostawcę Sunrise Medical.

Oparcie JAY ZIP (Rys. 1.0)

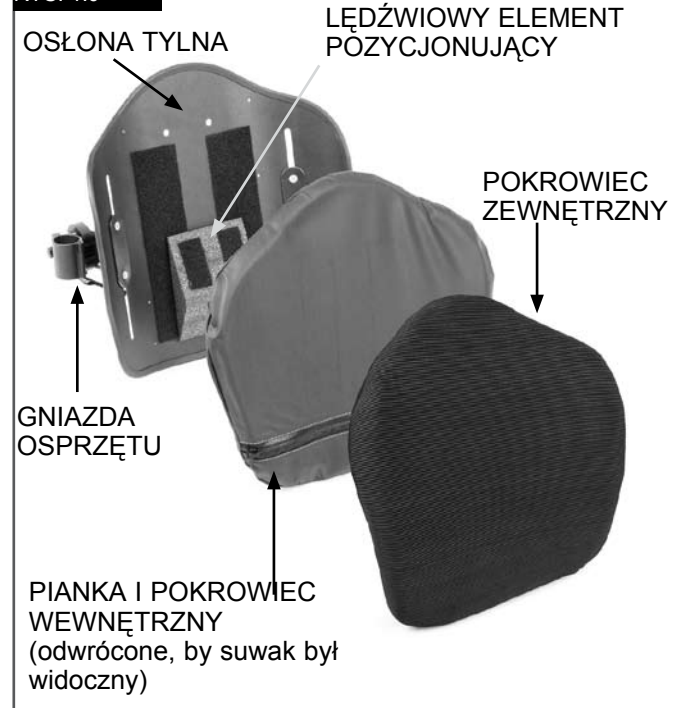
Oparcie JAY ZIP powstało z myślą o zapewnieniu właściwego wsparcia pleców dla szerokiego grona pediatrycznych użytkowników wózków inwalidzkich. Zostało zaprojektowane, aby zapewnić prostą, komfortową i efektywną możliwość maksymalizowania funkcjonalności oraz zwiększenia tolerancji siedzenia. Dodatkowo jest lekkie, wytrzymałe i łatwe w użyciu.

Dopuszczalna waga użytkownika: 75 kg

! OSTRZEŻENIA

- Zainstalowanie oparcia pleców może wpłynąć na zmianę środka ciężkości wózka, a także spowodować przewrócenie się go do tyłu, co grozi odniesieniem obrażeń.
- Należy zawsze ocenić potencjalną potrzebę stosowania w wózku układów zapobiegających przez przewróceniem się lub wsporników łącznika osi dla osób z amputowanymi kończynami, zwiększających stabilność.
- Nie używać oparcia do popychania lub podnoszenia wózka. Niewłaściwe użycie może spowodować niespodziewane odłączenie oparcia od wózka.
- Nie używać uchwytu oparcia do podnoszenia wózka. Uchwyt jest przeznaczony jedynie do demontażu oparcia.

RYS. 1.0



KONSERWACJA

- Sunrise zaleca, aby co 6 miesięcy sprawdzać zużycie wszystkich elementów mocujących, na przykład poluzowanie śrub lub uszkodzenie elementów.
- Luźne elementy mocujące należy ponownie zamocować zgodnie z instrukcją.
- Wszystkie elementy mocujące należy dokręcić stosując moment obrotowy wskazany w sekcji instalacji osprzętu.
- W celu wymiany uszkodzonych elementów należy natychmiast skontaktować się z autoryzowanym dostawcą firmy Sunrise Medical.

⚠ OSTRZEŻENIE

- Nie należy kontynuować użytkowania po stwierdzeniu poluzowania lub uszkodzenia elementów.

UWAGA: Dla wygody do oparcia dołączony został klucz.

ŁATWE CZYSZCZENIE (Rys. 2.0)**⚠ PRZESTROGA**

Podczas demontażu oparcia na potrzeby czyszczenia, należy zwrócić uwagę na położenie rzepów w celu prawidłowego wykonania ponownego montażu.

Czyszczenie pokrowca oparcia

Należy zdjąć pokrowiec poprzez odłączenie rzepa.

Odłączyć pokrowiec od tylnej osłony.

Zlokalizować zamek błyskawiczny w dolnej części pokrowca i rozpiąć.

Wyjąć piankę z wewnętrznego pokrowca i odwrócić pokrowiec na lewą stronę. Zapiąć zamek błyskawiczny, aby zapobiec ścieraniu.

Prać w pralce w ciepłej wodzie (60°C).

Suszyć na sznurku lub w suszarce przy niskiej temperaturze.

⚠ PRZESTROGA

- Nie czyścić chemicznie ani nie używać do czyszczenia pokrowców prałek i suszarek przemysłowych.
- Nie czyścić parą w autoklawie.
- Nie wybielać.
- Piankę w wewnętrznym pokrowcu ponownie włożyć do pokrowca zewnętrznego.

UWAGA: Podstawa posiada dwie warstwy pianki. Podczas ponownego wkładania pianki należy upewnić się, że cieńsza, twardsza, jasnoszara pianka sąsiaduje z osłoną, a miękka znajduje się od strony użytkownika. Gdy pianka zostanie zabezpieczona wewnątrz pokrowca, zapiąć zamek błyskawiczny.

Czyszczenie osłony tylnej i wewnętrznego pokrowca

Osłonę i wewnętrzny pokrowiec można czyścić wodą z mydłem.

Inne metody konserwacji nie są wymagane.

Czyszczenie elementów pozycjonujących

Elementy pozycjonujące można czyścić wodą z mydłem.

⚠ PRZESTROGA

- Nie zanurzać elementów pozycjonujących w wodzie.

W razie jakichkolwiek dodatkowych pytań dotyczących procedur czyszczenia należy skontaktować się z autoryzowanym sprzedawcą firmy Sunrise Medical.

WSKAZÓWKI DOTYCZĄCE PRANIA

	Prać w pralce w ciepłej wodzie (60°C).
	Tylko bezchlorowy wybielacz, jeśli jest niezbędny
	Suszyć na sznurku
	Nie prasować
	Nie czyścić chemicznie

RYS. 2.0

OKREŚLAJĄCA ZGODNOŚĆ**Typy wózka**

Oparcie ZIP jest kompatybilne z większością modeli wózków, z następującymi wyjątkami:

⚠ OSTRZEŻENIE

- Oparcia nie należy stosować w wózkach z regulacją kąta, rozkładanych lub odchylanych, w których odchylenie oparcia od pionu przekracza 60 stopni.
- Użycie oparcia w tych typach wózków może spowodować przypadkowe odłączenie oparcia od wózka, skutkujące upadkiem i możliwością doznania poważnych obrażeń.

Wymiary wózka

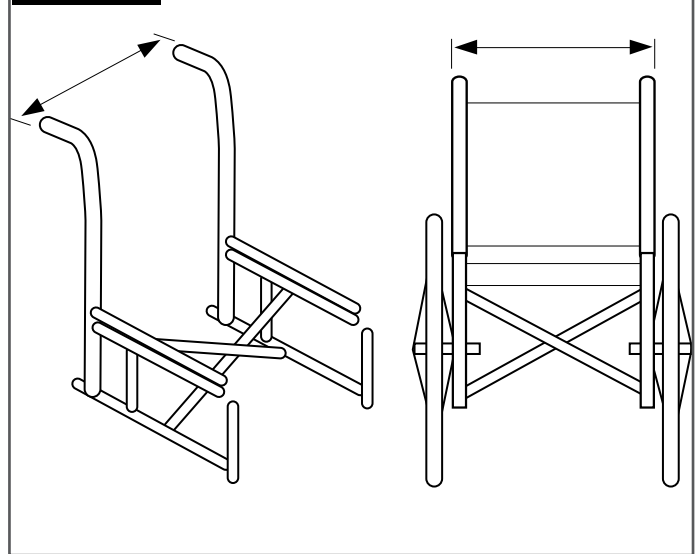
Oparcie JAY ZIP zastępuje tapicerkę oparcia wózka. Przed montażem należy określić, czy używany wózek posiada kompatybilne rurki tylne poprzez zmierzenie szerokości pomiędzy nimi, jak pokazano na Rys. 3.0. Uzyskany pomiar należy porównać z tabelą 4.0, aby określić, czy oparcie będzie pasowało do wózka. Następnie należy sprawdzić kompatybilność średnicy rurek tylnych.

Osprzęt oparcia ZIP można zamontować na prętach tylnych o średnicy 19 mm (z wkładką), 22-23 mm (z wkładką) lub 23-25,5 mm (bez wkładki). (Rys. 5.0).

⚠ PRZESTROGA

W przypadku problemów z określeniem czy rurki tylne są kompatybilne należy skontaktować się z autoryzowanym dostawcą lub biurem obsługi klienta firmy Sunrise Medical.

RYS. 3.0

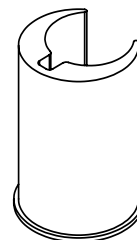


RYS. 4.0

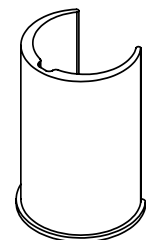
Szerokość prętów tylnych od krawędzi zewnętrznej do krawędzi zewnętrznej (Rys. 3.0)

Szerokość oparcia ZIP* (wszystkie kontury)	Minimalna szerokość		Maksymalna szerokość	
	cale	mm	cale	mm
8" (20 cm)	7,875	20,00	9,125	23,18
10" (25 cm)	9,875	25,00	11,125	28,26
12" (30 cm)	11,875	30,16	13,125	33,34
14" (35 cm)	13,875	35,24	15,125	38,42

RYS. 5.0



Wkładka dla prętów tylnych o średnicy 19 mm



Wkładka dla prętów tylnych o średnicy 22-23 mm

INSTALACJA OSPRZĘTU MONTAŻOWEGO

Przed rozpoczęciem instalacji należy przeczytać niniejszą instrukcję.

Najlepiej rozpocząć instalację oparcia JAY ZIP, gdy użytkownik nie przebywa na wózku.

Gdy oparcie zostanie zamontowane i niezbędne są drobne regulacje, użytkownik może powrócić na wózek.

**Wymagane narzędzia (dołączone do zestawu):
Klucz 10 mm**



Instrukcja instalacji osprzętu (Rys. 6.0)

- Należy zdemontować używane oparcie wózka zgodnie z instrukcją producenta.
- Wzrokowo określić pożądaną pozycję gniazd na rurkach tylnych wózka.
- Osprzęt powinien znajdować się na równiej wysokości na obu tylnych słupkach oraz równolegle do ramy siedziska.
- Z założenia lepsze jest wyższe położenie na rurkach tylnych.

Zamontować gniazda osprzętu.

- Poluzować śruby zacisku (A) przy użyciu załączonego klucza 10 mm. UWAGA – Przy większej średnicy rurki śruby zacisku mogą wymagać całkowitego usunięcia.
- Zamontować i wyrównać gniazdo z rurkami tylnymi wózka.
- Ręcznie dokręcić śruby zacisku (A).

UWAGA: Gniazda mogą wymagać dodatkowo bocznych regulacji, aby osiągnąć właściwe ustawienie.

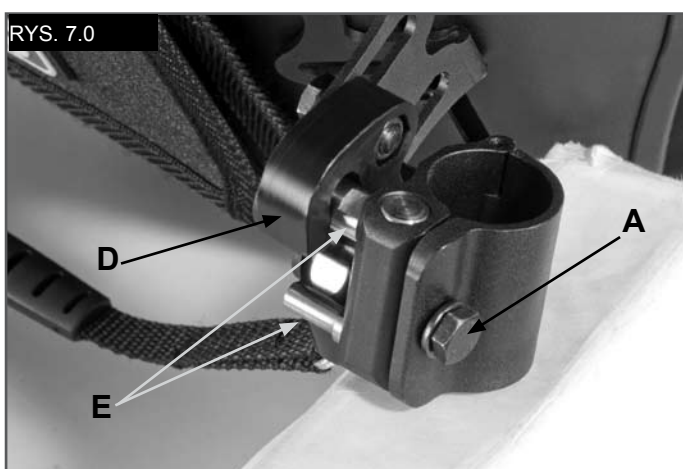
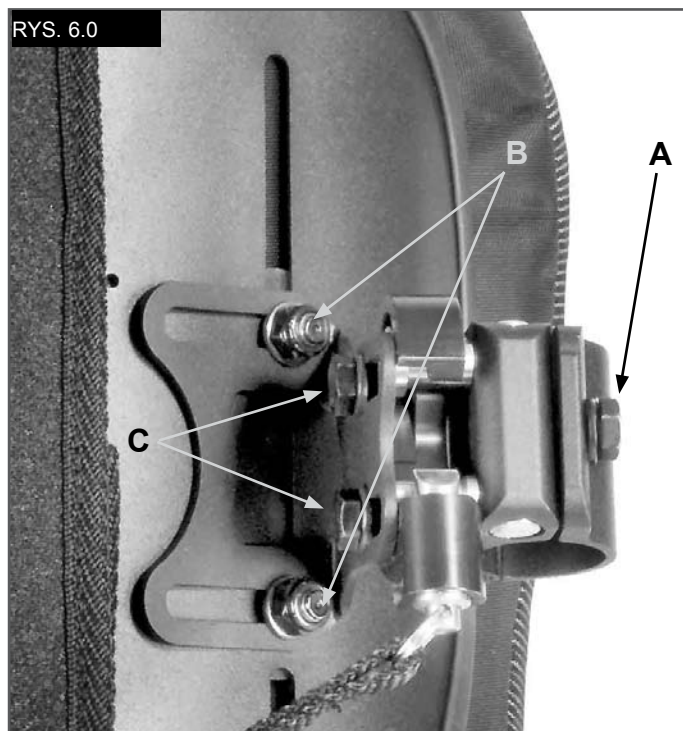
Montowanie i wyrównywanie osłony oparcia (Rys. 6.0-7.0)

- Poluzować nakrętki wspornika (B) i nakrętki sworznia mocującego (C) za pomocą klucza 10 mm, aż osprzęt da się łatwo poruszać we wszystkich kierunkach.
- Zamontować oparcie ZIP w gniazdach osprzętu, wkładając lewe i prawe haczyki mocujące (D) w lewe i prawe gniazdo (E).
- Umieścić oparcie w przybliżonym położeniu, zarówno względem wózka jak i użytkownika.
- Dokręcić śruby po wewnętrznej stronie haczyków mocujących (D).
- Zalecane ustawienia momentu obrotowego w zakresie 11,3 - 12,4 Nm. UWAGA – Głębokość i kąt oparcia mogą wymagać dodatkowej regulacji, celem osiągnięcia właściwego dopasowania do użytkownika.
- Dokręć nakrętki (B) wsporników. Zalecane ustawienia momentu obrotowego w zakresie 8,5 - 9,3 Nm.

UWAGA: Wysokość oparcia może wymagać dodatkowej regulacji, celem osiągnięcia właściwego dopasowania do użytkownika.

- Sprawdzić mechanizm zwalniania oparcia poprzez pociągnięcie do dołu uchwyty zwalniania i zdjęcie oparcia z wózka. (Dalsze informacje znajdują się w rozdziale Demontaż i wymiana.)
- Ustawienie osprzętu montażowego i oparcia jest właściwe gdy z łatwością można dokonać płynnego montażu i zwalniania.
- Jeśli nie udało się właściwie ustawić oparcia, należy regulować elementy do momentu ich prawidłowego ustawienia.
- Gdy ustawienie jest właściwe, należy dokręcić śruby zacisku gniazda osprzętu.

UWAGA: Zalecane ustawienia momentu obrotowego w zakresie 8,5 - 9,3 Nm.



REGULACJA WYSOKOŚCI, GŁĘBOKOŚCI I KĄTA NACHYLENIA OPARCIA JAY ZIP

Ustalić właściwą wysokość, głębokość i kąt nachylenia oparcia na potrzeby użytkownika, gdy znajduje się na wózku.

⚠ OSTRZEŻENIE

- Nie wolno naciskać pełną siłą na oparcie, dopóki nie zostanie ono całkowicie dokręcone do wymaganego momentu obrotowego.

Regulacja wysokości (Rys. 8.0)

- Określić żądaną wysokość oparcia gdy użytkownik znajduje się na wózku.
- Gdy ustawienia zostaną określone, użytkownik powinien zaprzestać nacisku na oparcie poprzez pochylenie lub częściowe przesunięcie się do przodu w celu umożliwienia regulacji.
- Należy poluzować nakrętki wspornika (B) i ustawić wysokość tylnej osłony.
- Mocno dokręcić nakrętki wspornika (B).
- Zalecane ustawienia momentu obrotowego w zakresie 8,5 - 9,3 Nm.

UWAGA: Po dokonaniu regulacji wysokości sprawdzić, czy szerokość nie została przypadkowo zmieniona podczas przykręcania nakrętek.

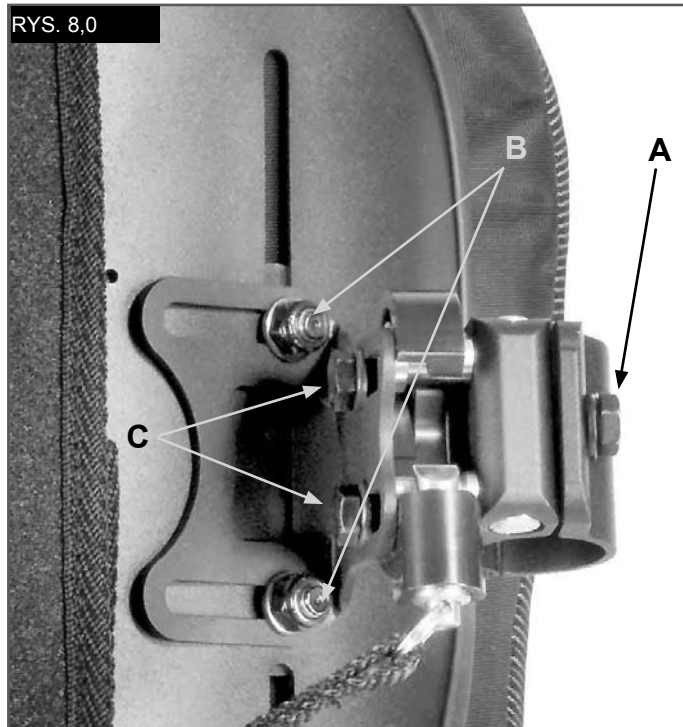
Regulacja głębokości/kąta (Rys. 8.0)

Osprzęt umożliwia regulację przedniej głębokości o 40,5 mm (76,2 mm, jeśli użyty zostanie osprzęt odwrócony).

- Aby wyregulować głębokość i kąt oparcia, należy poluzować lewe i prawe śruby (C) w gniazdach wspornika.
- Wyregulować głębokość i/lub kąt i mocno dokręcić.
- Zalecane ustawienia momentu obrotowego w zakresie 11,3 - 12,4 Nm.
- Należy upewnić się, że żadna z nakrętek regulacji głębokości (C) nie ześlizgnie się ani nie obróci.

⚠ OSTRZEŻENIE

Po dokonaniu wszystkich regulacji, należy upewnić się, że cały osprzęt został właściwie dokręcony i że oparcie jest gotowe do użytkowania.



BEZPIECZEŃSTWO TRANSPORTU OPARCIA

Oparcie zostało przetestowane dynamicznie pod kątem użytkownika w pojazdach silnikowych.

Należy stosować wszystkie instrukcje dotyczące montażu, używania i konserwacji zawarte w niniejszym podręczniku, a także instrukcje dotyczące transportu opisane poniżej.

⚠ OSTRZEŻENIA

- Jeśli to możliwe i osiągalne, należy przenieść użytkownika na fotel zamontowany fabrycznie w pojeździe, powinien on także używać pasów bezpieczeństwa pojazdu.
- Odległość pomiędzy górną częścią ramienia użytkownika i górną częścią osłony tylnej nie powinna przekraczać 7,6 cm.
- Wózek musi być oznakowany jako odpowiedni do użytkownika w postaci siedzenia w pojeździe silnikowym, przetestowany dynamicznie pod kątem parametrów wymaganych przez normy ISO 7176-19 i zmontowany, używany i konserwowany zgodnie z instrukcją producenta.
- Jeśli oryginalne siedzisko wózka zostało wymienione, nowe siedzisko musi spełniać wymagania dotyczące transportu wózka oraz być zamontowane i używane zgodnie ze wskazaniami zawartymi w instrukcji producenta.
- System mocowania wózka i pasów bezpieczeństwa pasażera (WTORS) powinien być kompatybilny z określonym typem wózka, użytkowany zgodnie ze wskazaniami zawartymi w instrukcji producenta, a także powinien być zgodny z parametrami wymaganymi przez normy ISO 10542.
- Podczas transportu wózek musi być skierowany przodem do kierunku jazdy.
- W celu zmniejszenia potencjalnych obrażeń pasażerów pojazdu, akcesoria zamontowane do wózka, takie jak odchylane stoliki i zbędny sprzęt, powinny być zdemontowane i zabezpieczone osobno.
- Produkt przeznaczony jest do użytku przez osoby ważące od 10 kg do 75 kg.
- Urządzenia do wsparcia postawy, takie jak biodrowe pasy pozycjonujące, przednie wsparcie tułowia lub środki wsparcia postawy, takie jak boczne wsparcie tułowia, nie powinny być stosowane do zabezpieczenia użytkownika w poruszającym się pojeździe, o ile nie zostały oznaczone jako spełniające normy ISO 16840-4.
- Nie wolno dokonywać żadnych zmian ani zastąpień struktury, części lub elementów, bez konsultacji z producentem.
- **NIESTOSOWANIE SIĘ DO TYCH OSTRZEŻEŃ MOŻE SKUTKOWAĆ POWAŻNYMI OBRAŻENIAMI UŻYTKOWNIKA I INNYCH OSÓB.**

DEMONTAŻ I WYMIANA**Demontaż**

Po montażu i regulacji, w razie konieczności oparcie można łatwo zdemontować z wózka.

W celu zdjęcia oparcia, należy pociągnąć uchwyt oparcia w dół, obrócić oparcie, a następnie wyjąć je z gniazd osprzętu.

Prawidłowe ponowne zamontowanie po demontażu

Aby ponownie przymocować oparcie do gniazd osprzętu, należy pociągnąć w dół przewód, zamontować oparcie na gniazdach i obrócić w dół.

⚠ OSTRZEŻENIE

W razie braku pewności, czy słychać było kliknięcie blokujące, należy pociągnąć oparcie za pomocą uchwytu celem upewnienia się, że zostało bezpiecznie zablokowane.

GWARANCJA**24 MIESIĄCE GWARANCJI**

Celem zapewnienia najlepszego działania, każde oparcie JAY ZIP jest dokładnie kontrolowane i testowane.

Każde oparcie JAY ZIP posiada gwarancję jakości wykonania oraz

braku defektów materiałowych na okres 24 miesięcy normalnego użytkowania, licząc od daty zakupu. W razie wystąpienia defektów materiałów lub jakości wykonania w ciągu 24 miesięcy od daty zakupu, firma Sunrise Medical nieodpłatnie dokona naprawy lub wymiany.

Gwarancja ta nie obejmuje przebić, rozdarć czy nadpaleń, również na zdejmowanym pokrowcu oparcia.

Reklamacje i naprawy powinny być przeprowadzane przez najbliższego autoryzowanego dostawcę.

Nie udziela się żadnych innych gwarancji niż wyraźnie wymienione w niniejszym dokumencie, w tym dorozumianych gwarancji przydatności handlowej i gwarancji przydatności do określonego celu. Nie obowiązują żadne gwarancje przekraczające opisany tu zakres.

Prawa związane z naruszeniem niniejszych wyraźnych gwarancji są ograniczone do naprawy lub wymiany towarów.

Zobowiązania wynikające z naruszenia gwarancji w żadnym wypadku nie obejmują szkód wynikowych, ani nie przekraczają ceny sprzedanych, niezgodnych z wymaganiami towarów.

! UPOZORNENIE

Spoločnosť Sunrise Medical odporúča poradiť sa s klinickým pracovníkom, ako je napríklad lekár alebo terapeut so skúsenosťami v oblasti sedenia a polohovania, ktorý rozhodne, či je opierka ZIP vhodná. Opierky by mal inštalovať len autorizovaný dodávateľ spoločnosti Sunrise Medical.

Opierka JAY ZIP (Obr. 1.0)

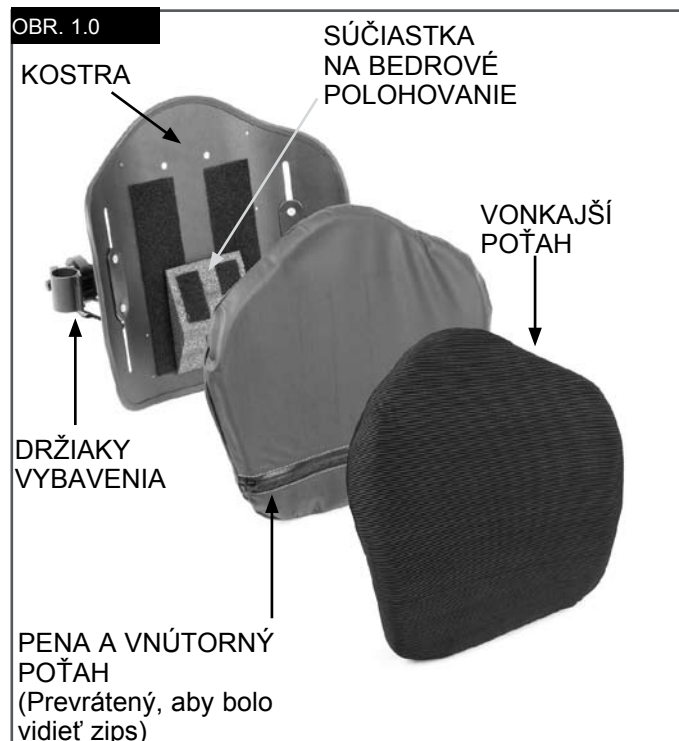
Opierka JAY ZIP je určená na zabezpečenie správnej opory chrbta a ponúka dôležité výhody pre širokú škálu používateľov v pediatrii.

Je určená na poskytovanie jednoduchej, pohodlnej a účinnej opory, ktorá maximalizuje funkčnosť a zvyšuje znášanlivosť sedenia. Okrem toho je ľahká, trvác a ľahko sa používa.

Maximálna hmotnosť používateľa: 75 kg

! VÝSTRAHY

- Po nainštalovaní opierky chrbta na invalidný vozík sa môže zmeniť ťažisko invalidného vozíka. To môže spôsobiť prevrátenie vozíka dozadu a prípadné následné zranenie.
- Na zvýšenie stability invalidného vozíka u osôb po amputácii vždy zvážte prípadnú potrebu použitia koliesok proti preklopeniu alebo adaptérových konzol pre osi.
- Opierku chrbta nepoužívajte na tlačenie alebo dvíhanie invalidného vozíka. Nesprávne používanie môže spôsobiť nečakané odpojenie opierky chrbta od invalidného vozíka.
- Na dvíhanie invalidného vozíka nepoužívajte rukoväť opierky chrbta. Tá je určená len na vyberanie opierky chrbta.



ÚDRŽBA

- Spoločnosť Sunrise odporúča, aby ste každých 6 mesiacov skontrolovali prípadné opotrebovanie všetkých upevňovacích prvkov, napr. uvoľnené skrutky, alebo zlomené súčasti.
- Uvoľnené upevňovacie prvky je potrebné utiahnuť podľa pokynov na inštaláciu.
- Všetky upevňovacie prvky by ste mali utiahnuť v súlade so špecifikovaným ťahovacím momentom uvedeným v časti o inštalácii držiakov.
- Ak potrebujete vymeniť zlomenú súčiastku, kontaktujte autorizovaného dodávateľa spoločnosti Sunrise Medical.

⚠ UPOZORNENIE

- Systém nepoužívajte, ak ste zistili, že má uvoľnené, alebo zlomené súčiastky.

POZOR: S opierkou je pre uľahčenie dodávaný aj kľúč.

JEDNODUCHÉ ČISTENIE (Obr. 2.0)**⚠ POZOR**

Pri demontovaní opierky z dôvodu čistenia dávajte pozor na polohu bedrových polohovacích súčiastok na suchý zips Velcro®, aby ste ich pri opätovnej inštalácii dali na správne miesto.

Čistenie poťahu opierky

Rozpojte suchý zips a odoberte poťah.

Poťah oddelte od chrbtovej kostry.

Na spodku poťahu nájdite zips a otvorte ho.

Vyberte penu s vnútorným poťahom a poťah prevráťte naruby. Poťah zatvorte zipsom, aby sa neroztrhol.

Prat' v automatickej práčke v teplej vode (60° C)

Nechajte ho voľne uschnúť, alebo ho vysušte v sušičke na nízkej teplote.

⚠ POZOR

- poťahy sa nepokúšajte čistiť v čistiarni, nepoužívajte priemyselné čističe ani sušičky.
- Nedávajte do pary - autoklávu.
- Nebielte.
- Vložte späť penu s vnútorným poťahom do poťahu.

POZOR: Na spodnej časti sú dve vrstvy peny. Pri opätovnom zakladaní peny vložte tenšiu, pevnejšiu, svetlosivú penu smerom ku kostre a mäkkšiu penu smerom k používateľovi.

Keď je pena zaistená v poťahu, poťah zatvorte zipsom.

Čistenie chrbtovej kostry a vnútorného poťahu

Kostru a vnútorný poťah utrite mydlovou vodou.

Nie je potrebná žiadna ďalšia údržba.

Čistenie polohovacích súčiastok






Polohovacie súčiastky vyčistíte tak, že ich utriete mydlovou vodou.

⚠ POZOR

- Polohovacie súčiastky neponárajte pod vodu.

Ak máte ďalšie otázky týkajúce sa postupov čistenia, kontaktujte autorizovaného predajcu spoločnosti Sunrise Medical.

SYMBOLY NA ČISTENIE

	Prat' v automatickej práčke v teplej vode (60° C)
	Len bielidlá neobsahujúce chlór, podľa potreby
	Vyvesiť mokré a nechať vysušiť
	Nežehliť
	Nečistiť chemicky

OBR. 2.0

URČENIE KOMPATIBILITY**Typy invalidných vozíkov**

Opierka ZIP je kompatibilná s väčšinou invalidných vozíkov okrem nasledujúcich výnimiek:

⚠ UPOZORNENIE

- Nemala by sa používať pri invalidných vozíkoch s nastaviteľným uhlom sklonu, ktorých chrbtový uhol je väčší ako 60° od vertikálnej osi.
- Pri použití s týmito typmi invalidných vozíkov môže dôjsť k náhodnému odpojeniu od vozíka s následným pádom a prípadným vážnym zranením.

Rozmery invalidného vozíka

Opierka JAY ZIP je určená ako náhrada čalúnenia s popruhmi na invalidnom vozíku.

Pred inštaláciou zistite, či má používaný invalidný vozík kompatibilné chrbtové tyče zmeraním šírky medzi nimi, ako je uvedené na Obrázku 3.0.

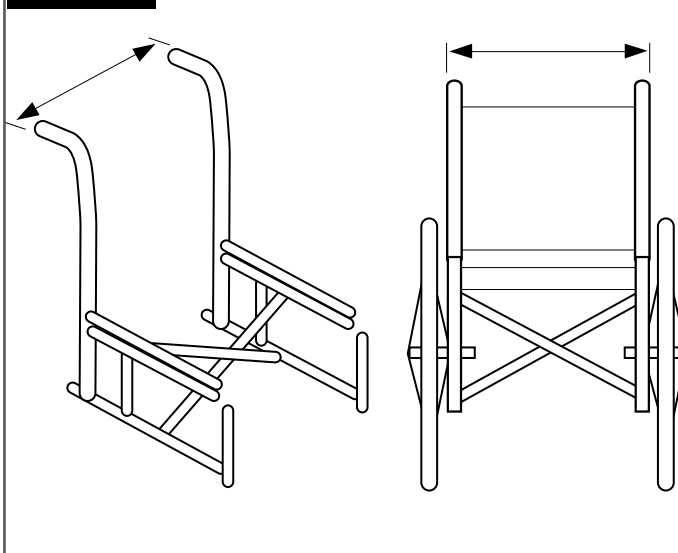
Pozrite si Obrázok 4.0 a na základe údajov merania rozhodnite, či bude opierka vyhovovať kreslu.

Potom skontrolujte vhodnosť priemeru chrbtových tyčí. Vybavenie opierky ZIP je možné namontovať na chrbtové tyče invalidného vozíka s priemerom 19 mm (s vložkou), 22-23 mm (s vložkou) alebo 25-25,5 mm (bez vložky). (Obr. 5.0).

⚠ POZOR

Ak neviete zistiť, či sú chrbtové tyče vhodné, kontaktujte prosím autorizovaného poskytovateľa, alebo zákaznícky servis spoločnosti Sunrise Medical.

OBR. 3.0

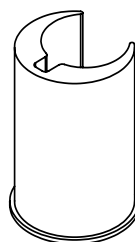


OBR. 4.0

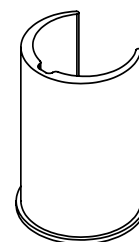
Šírka chrbtových tyčí od vonkajšej strany po vonkajšiu stranu rúrok (Obr. 3.0)

Šírka opierky ZIP* (všetky tvary)	Min. šírka palce mm		Max. šírka palce mm	
	8" (20 cm)	7,875	20,00	9,125
10" (25 cm)	9,875	25,00	11,125	28,26
12" (30 cm)	11,875	30,16	13,125	33,34
14" (35 cm)	13,875	35,24	15,125	38,42

OBR. 5.0



Vložka na priemer 19 mm chrbtové tyče



Vložka na priemer 22 - 23 mm chrbtové tyče

INŠTALÁCIA UPEVNŔOVACIEHO VYBAVENIA

Pred začatím inštalácie si prosím prečítajte tieto pokyny.

Opierku JAY ZIP začnite montovať bez používateľa v invalidnom vozíku.

Keď ste už nainštalovali opierku chrbta a potrebujete vykonať menšie nastavenia, môže sa do vozíka jeho užívateľ znovu posadiť.

Potrebné nástroje (dodané) 10 mm kľúč



Pokyny pre inštaláciu držiakov (Obr. 6.0)

- Opierku chrbta nachádzajúcu sa na invalidnom vozíku odstráňte podľa pokynov výrobcu vozíka.
- Pohľadom určite želanú polohu držiakov na chrbtových tyčiach invalidného vozíka.
- Upevňovacie súčiastky by mali byť na každom chrbtovom stĺpiku v približne rovnakej výške a paralelne s kostrou sedadla.
- Vyššie umiestnenie na chrbtových tyčiach býva všeobecne lepšie.

Držiaky upevnite.

- Uvoľnite upínaciu skrutku (A) pomocou dodaného 10 mm kľúča. POZOR – Ak má rúra veľký priemer, je možné, že bude treba upínacie skrutky úplne odstrániť.
- Držiaky upevnite na chrbtové tyče invalidného vozíka a vyrovnajte ich.
- Upínacie skrutky (A) utiahnite rukou.

POZOR: Je možné, že bude potrebné držiaky ďalej nastavovať do bokov, aby bola zabezpečená ich správna poloha.

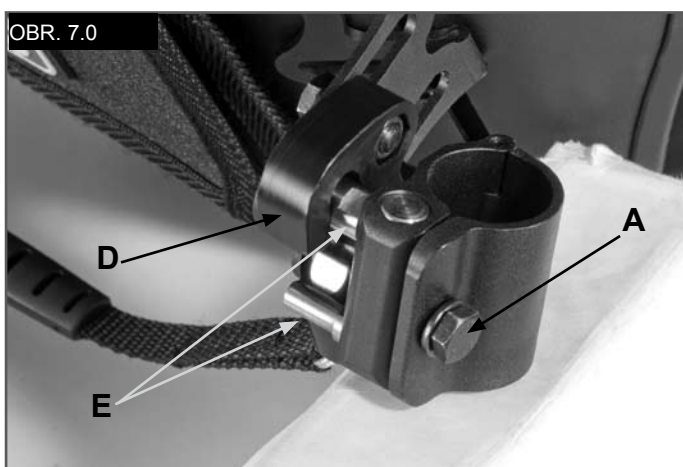
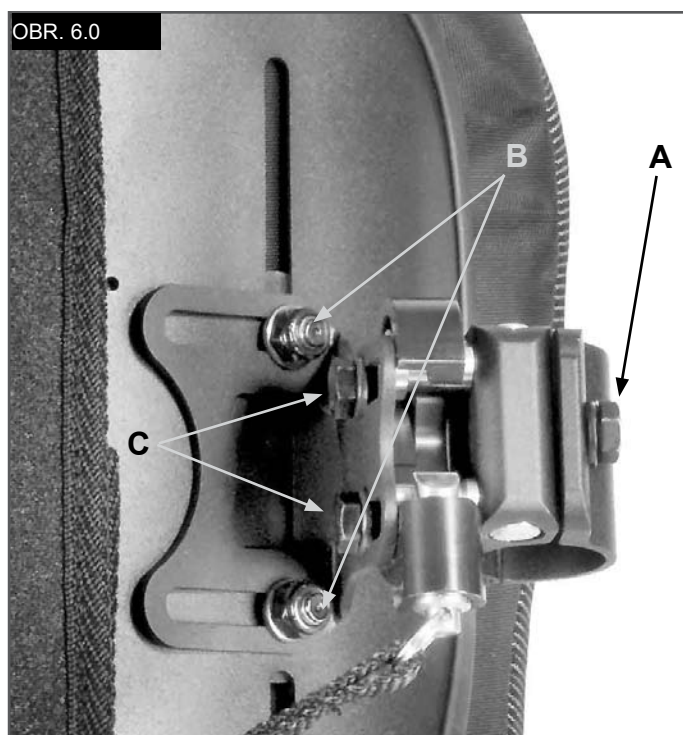
Pripevnenie a zarovnanie chrbtovej kostry (Obr. 6.0 - 7.0)

- Uvoľnite konzolové matice (B) a západky montážnych kolíkov (C) pomocou 10 mm kľúča, kým sa vybavenie nebude ľahko pohybovať vo všetkých smeroch.
- Pripevnite opierku ZIP k držiakom vybavenia vložení ľavého a pravého upevňovacieho háku (D) do ľavého a pravého držiaka (E).
- Opierku chrbta umiestnite do vhodnej polohy vzhľadom k vozíku a užívateľovi.
- Uťahnite skrutky na vnútornej strane upevňovacích hákov (D).
- Odporúča sa uťahovací moment 11,3 - 12,4 Nm. POZOR – Je možné, že hĺbku a uhol sklonu opierky chrbta budete musieť doladiť tak, aby vyhovovala užívateľovi.
- Dotiahnite matice na konzolách (B). Odporúča sa uťahovací moment 8,5 - 9,3 Nm.

POZOR: Je možné, že výšku opierky chrbta budete musieť doladiť tak, aby vyhovovala užívateľovi.

- Skontrolujte uvoľnenie opierky zatlačením na páčky na uvoľnenie opierky a vytiahnutím opierky z vozíka. (Ďalšie informácie nájdete v časti Demontáž a výmena.)
- Držiaky sa nachádzajú v správnej polohe vtedy, keď je možné opierku chrbta ľahko vložiť a vybrať.
- Ak sa nepodarilo dosiahnuť správnu polohu, nastavujte súčiastky, kým ju nedosiahnete.
- Keď sú držiaky v správnej polohe, utiahnite ich upínacie skrutky.

POZOR: Odporúča sa uťahovací moment: 8,5 - 9,3 Nm.



NASTAVENIE ZIPSU, VÝŠKY, HĽBKY A UHLA OPIERKY JAY

Výšku, hĺbku a uhol opierky upravte s používateľom vo vozíku, aby ste ju nastavili podľa individuálnych požiadaviek používateľa.

⚠ UPOZORNENIE

- Užívateľ by sa nemal o opierku chrbta ešte opierať plnou silou, pretože nie je utiahnutá podľa špecifikácií plným ťahovacím momentom.

Nastavenie výšky (Obr. 8.0)

- Zistíte želanú výšku opierky chrbta, keď je užívateľ vo vozíku.
- Keď ju zistíte, užívateľ by sa mal podľa možnosti nakloniť alebo posunúť trochu dopredu, aby na opierku chrbta J3 nevyvíjal tlak a umožnil tak jej nastavenie.
- Povoľte matice na konzolách (B) a upravte výšku chrbtovej kostry do želanej polohy.
- Bezpečne utiahnite matice na konzolách (B).
- Odporúča sa ťahovací moment 8,5 - 9,3 Nm.

POZOR: Po dokončení nastavenia výšky skontrolujte, či pri ťahovaní matíc nedošlo k neúmyselnej zmene šírky.

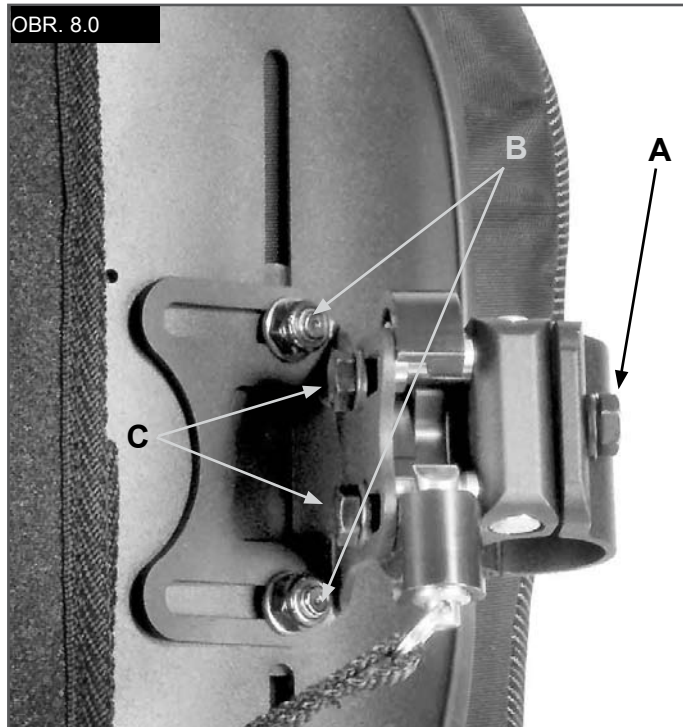
Nastavenie hĺbky/uhla (Obr. 8.0)

Vybavenie umožňuje nastavenie prednej hĺbky 40,5 mm a 76,2 mm na zadom vybavení.

- Ak chcete nastaviť hĺbku a uhol opierky, uvoľnite ľavú a pravú skrutku (C) v otvoroch na konzolách.
- Nastavte hĺbku a/alebo uhol a bezpečne ich utiahnite.
- Odporúča sa ťahovací moment 11,3 - 12,4 Nm.
- Dbajte na to, aby matice na nastavenie hĺbky (C) neskĺzli, alebo sa nepretočili.

⚠ UPOZORNENIE

Po dokončení všetkých nastavení sa presvedčte, že celé vybavenie bolo správne utiahnuté a opierka je pripravená na používanie.



BEZPEČNOSŤ OPIERKY CHRBTU PRI PREPRAVE

Používanie tejto opierky chrbta na invalidnom vozíku bolo dynamicky testované počas prepravy v motorovom vozidle.

Riadte sa prosím všetkými pokynmi na inštaláciu, používanie a údržbu uvedených v tomto návode, ako aj dole uvedenými pokynmi na prepravu.

⚠ VÝSTRAHY

- Ak je to možné, užívateľ by si mal presadnúť do originálneho sedadla vo vozidle od jeho výrobcu a používať bezpečnostné pásy vozidla.
- Vzďialenosť medzi hornou časťou pliec používateľa a hornou časťou kostry opierky nesmie presiahnuť 7,6 cm.
- Invalidný vozík musí byť označený ako vhodný na používanie vo funkcii sedačky v motorovom vozidle, požiadavky na jeho vlastnosti musia byť dynamicky otestované podľa normy ISO 7176-19 a musí byť nainštalovaný, používaný a udržiavaný v súlade s pokynmi výrobcu.
- Ak bolo pôvodné sedadlo invalidného vozíka vymenené, nové sedadlo musí spĺňať predpisy týkajúce sa prepravy invalidného vozíka, byť nainštalované a používať sa v súlade s pokynmi výrobcu.

- Systém WtOrs (z angl. Wheelchair tiedown and Occupant restraint system - systém upevnenia vozíka a zabezpečenia sediaceho) musí byť vhodný na použitie s invalidným vozíkom, používať sa podľa pokynov výrobcu a spĺňať požiadavky výkonu stanovené v smernici ISO 10542.
- Počas prepravy musí invalidný vozík smerovať dopredu.
- S cieľom minimalizovať možné zranenie používateľov vozidla, je potrebné príslušenstvo namontované na vozíku ako napríklad podnosy a vybavenie, ktoré nie je základné, odmontovať a samostatne zabezpečiť.
- Tento výrobok je určený pre používateľov s hmotnosťou od 10 do 75 kg.
- Zariadenia na podoprenie polohy, napr. pásy na polohovanie kostry, prostriedky na podoprenie prednej časti trupu alebo tela, napr. bočné prostriedky na podoprenie trupu, by sa nemali používať namiesto bezpečnostných pásov v pohybujúcom sa vozidle, ak nespĺňajú ustanovenia smernice ISO 16840-4.
- Kostra, súčasti ani komponenty zariadenia sa nesmú pozmeňovať ani vymieňať bez konzultácie s výrobcu.
- **NEDODRŽANIE TÝCHTO POKYNOV MÔŽE ZAPRÍČINIŤ VÁŽNE ZRANENIE UŽIVATEĽA INVALIDNÉHO VOZÍKA A ĎALŠÍCH OSÔB.**

DEMONTÁŽ A VÝMENA**Demontáž**

Po inštalácii a nastavení sa v prípade potreby dá opierka chrbta z invalidného vozíka ľahko demontovať.

Vyberiete ju stlačením páčky na opierke, otočením a zložením z držiakov.

Správne opätovné upevnenie opierky po vybratí

Ak chcete opierku znova pripevniť k držiakom, potiahnite šnúru, založte opierku na držiaku a otočte smerom dolu.

⚠ UPOZORNENIE

Ak si nie ste istí, či ste počuli zablokovacie kliknutie, opierku potiahnite, aby ste sa presvedčili, že je bezpečne zablokovaná.

OBMEDZENÁ 24-MESAČNÁ ZÁRUKA

Každá opierka JAY ZIP je podrobená dôslednej kontrole a skúške, aby bol zabezpečený jej maximálny výkon.

Na každú opierku JAY ZIP poskytujeme záruku na chyby materiálov alebo vyhotovenia na obdobie 24 mesiacov od dátumu kúpy, ak bude používaná za normálnych podmienok. Ak by sa vyskytli materiállové, alebo výrobné poruchy počas obdobia 24 mesiacov od pôvodného dátumu kúpy, Sunrise Medical ho bezplatne opraví, podľa možnosti, alebo vymení.

Táto záruka sa nevzťahuje na prepichnutie, roztrhnutie alebo prepálenie materiálu, ani na snímateľný poťah opierky chrbta.

Požiadavky a opravy by mali byť vykonané u najbližšieho autorizovaného dodávateľa.

Okrem expresných garancií, ktoré boli odvtedy vydané, všetky iné garancie, vrátane spomenutých garancií predaja a garancie spôsobilosti na konkrétne použitie sú vylúčené. Neexistujú žiadne garancie, ktoré pôsobia mimo práve uvedeného popisu.

Riešenie porušenia expresnej garancie sú limitované na opravu alebo na výmenu tovaru.

Náhrada škody vyplývajúca z porušenia záruky nezahŕňa v žiadnom prípade náhradu následných škôd, ani nepresahuje sumu za predaný nevhodný tovar.

⚠ ADVARSEL

Sunrise Medical anbefaler, at man rådfører sig med en terapeut eller læge, med erfaring i siddestilling og positionering for at afgøre, om en Kids Ryg er egnet til det påtænkte formål.

Ryggen bør kun monteres af en autoriseret Sunrise Medical-leverandør.

JAY Kids Ryg (Fig. 1.0)

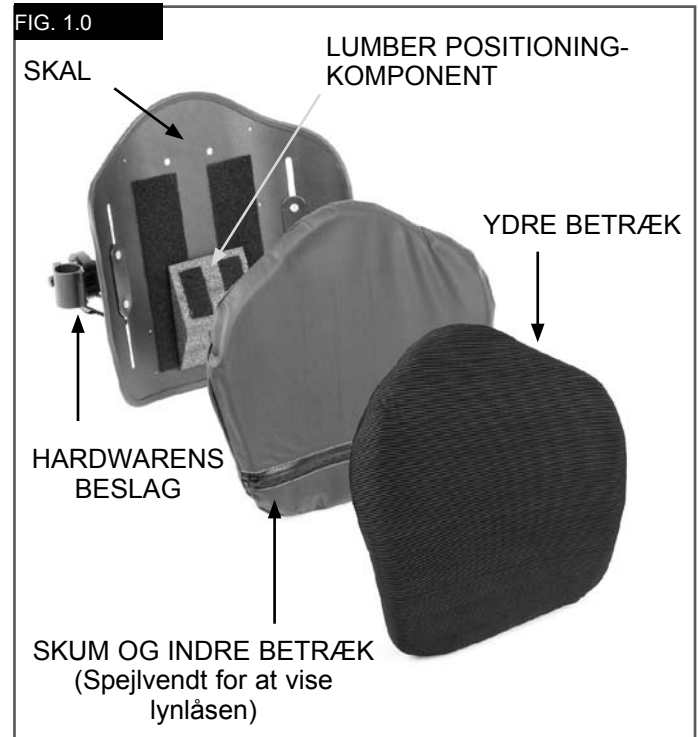
JAY Kids-Ryggen er designet til at give vigtige fordele for en korrekt rygstøtte for et bredt udvalg af pædiatriske brugere.

Det avancerede design har til formål at yde enkel, komfortabel og effektiv støtte, som giver maksimal funktionsevne og gør brugeren i stand til at sidde i kørestolen i længere tid ad gangen. Desuden betyder det slidstærke letvægtsdesign, at ryggen er let at anvende.

⚠ Maks. brugervægt: 75 kg

ADVARSLER

- Montering af en rygstøtte i en kørestol kan påvirke tyngdepunktet, så man risikerer, at kørestolen tipper bagover og forårsager personskader.
- Man bør derfor altid vurdere, om der er behov for at montere antitipstøtter eller amputationsakselplade for at opnå øget stabilitet.
- Brug ikke ryggen til at skubbe eller løfte kørestolen med. Forkert brug medfører risiko for, at ryggen pludselig glider fri af kørestolen.
- Brug ikke ryggens håndtag til at løfte kørestolen i. Håndtaget må kun bruges til at fjerne ryggen.



VEDLIGEHODELSE

- Sunrise anbefaler at alle fastgørelseselementer kontrolleres hver 6. måned for slitage, for eksempel løse bolte eller knækkede dele.
- Løse fastspændingselementer skal strammes ifølge monteringsvejledningerne.
- Alle fastspændingselementer skal spændes ifølge de tilspændingsmomenter, der er angivet i afsnittet om montering af beslag.
- Hvis det konstateres, at der findes løse eller ødelagte dele, må systemet ikke bruges,

⚠ ADVARSEL

- og du skal straks kontakte din autoriserede Sunrise Medical-forhandler for at få dem udskiftet.

BEMÆRK: Der følger en skruenøgle med ryggen for din bekvemmelighed.

NEM RENGØRING (Fig. 2.0)**⚠ VIGTIGT**

Når ryggen afmonteres for rengøring, bør du lægge mærke til Velcro® Lumbar Positioning-komponenterne for korrekt genmontering.

Rengøring af ryggens betræk

Betrækket fjernes ved at trække velcrostropperne fri.

Fjern betrækket fra ryglænskallen.

Find lynlåsen i bunden af betrækket, og lyn den op.

Fjern skummet med det indre betræk og vend det med vrangen ud. Lyn betrækket i for at undgå, at lynlåsen hænger fast i stoffet.

Maskinvask i varmt vand (60° C)

Dryptør eller brug tørretumbler på lav varme.

⚠ VIGTIGT

- Tåler ikke kemisk rens. Betrækket må ikke vaskes og/eller tørres i industrielle maskiner.
- Tåler ikke dampsterilisering (autoklave).
- Undgå blegning.
- Sæt skummet med det indre betræk tilbage i betrækket.

BEMÆRK: Underlaget har to skumlag. Når du genindsætter skummet, skal du sørge for at det tyndere, fastere lysegrå skum vender mod hylstret og det blødere skum vender mod brugeren.

Lyn lynlåsen helt i, når skumstykket ligger på plads i betrækket.

Sådan rengøres det bageste hylster og det inderste betræk

Hylstret og det indvendige betræk kan rengøres med sæbe og vand.

Yderligere vedligeholdelse er normalt ikke nødvendig.






Rengøring af positioneringskomponenter

Positioneringskomponenterne kan tørres af med vand og sæbe.

⚠ VIGTIGT

- Positioneringskomponenterne må ikke dyppes i vand.

Hvis du har yderligere spørgsmål om rengøring, kan du kontakte din autoriserede Sunrise Medical-forhandler.

FIG. 2.0	VASKESYMBOLER	
	Maskinvask i varmt vand (60° C)	
	Tåler blegning, men ikke med klor	
	Dryptørring	
	Undgå strygning	
	Tåler ikke kemisk rens	

SIKRING AF KOMPATIBILITET**Kørestolstyper**

Kids Ryggen er designet til at være kompatibelt med de fleste kørestole, med de følgende undtagelser:

⚠ ADVARSEL

- Kørestole med vinkeljustering, tilbagelænings- eller hældningsfunktion, som kan give en ryglænsvinkel på mere end 60 grader fra lodret position bør ikke anvendes med dette ryglæn.
- Montering på disse kørestolsstyper medfører risiko for, at ryggen pludselig glider fri af kørestolen, så brugeren kan falde ud og dermed pådrage sig alvorlige kvæstelser.

Kørestolens dimensioner

JAY Kids Ryggen er designet til at erstatte kørestolens rygpølstring.

Inden monteringen skal du afgøre, om den kørestol der bruges

har kompatible ryglænsrør, ved at måle bredden mellem ryglænsrørene, som vist på figur 3,0.

Ved hjælp af disse mål, tjek figur 4,0 for at afgøre om ryggen passer i din stol.

Derefter skal du kontrollere, om ryglænsrørene har den rette diameter.

Kids Ryg-hardwaren kan monteres på kørestolens ryglænsrør, som har diameter 3/4", (19mm), (med indlæg), 7/8", (22-23mm), (med indlæg) eller 1", (25-25,5mm), (uden indlæg). (Fig. 5.0).

⚠ VIGTIGT

Hvis du ikke kan afgøre, om ryglænsrørene er kompatible, bedes du kontakte din autoriserede Sunrise Medical-leverandør eller Sunrise Medicals kundeservice.

FIG. 3.0

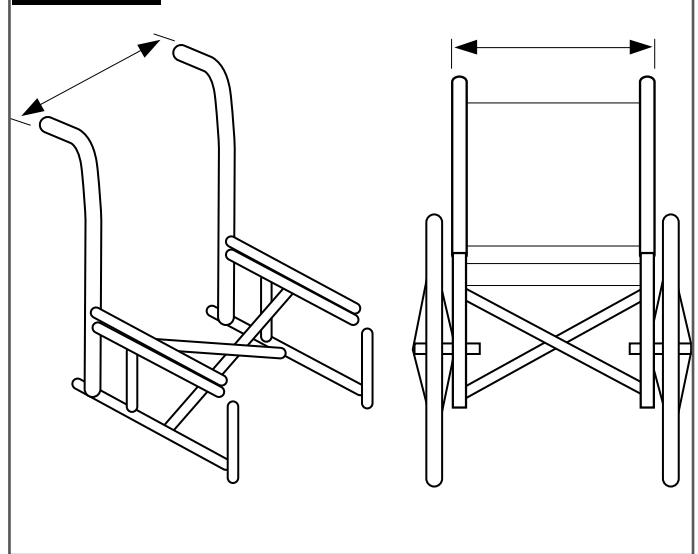
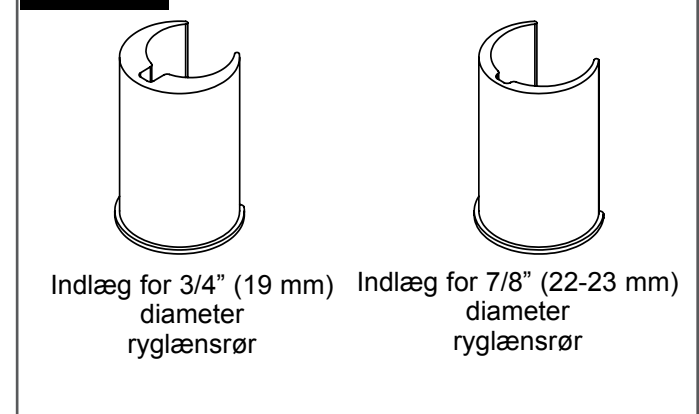


FIG. 4.0

Kids Ryg bredde* (alle konturer)	Ryglænsrørenes bredde fra ydersonen til rørenes yderside (Fig. 3.0)			
	Minimumsbredde Tommer mm			
8" (20 cm)	7,875	20,00	9,125	23,18
10" (25 cm)	9,875	25,00	11,125	28,26
12" (30 cm)	11,875	30,16	13,125	33,34
14" (35 cm)	13,875	35,24	15,125	38,42

FIG. 5.0



SÅDAN INSTALLERES MONTERINGEN HARDWARE

Inden monteringen bedes du læse alle anvisningerne i dette afsnit.

For at montere JAY Kids Ryggen, skal du starte uden at brugeren befinder sig i kørestolen.

Så snart ryggen er monteret og de nødvendige justeringer udført, kan brugeren sætte sig i kørestolen igen.

Nødvendigt værktøj (medfølger) 10mm skruenøgle



Monteringsanvisninger for beslag (Fig. 6.0)

- Afmonter kørestolens oprindelige ryg i henhold til fabrikantens vejledning.
- Se efter på kørestolens ryglænsrør for at fastslå, hvor beslagene bør placeres.
- Monteringshardwaren bør omtrentligt have den samme højde på hver ryg rør og parallelt til sæderammen.
- Generelt gælder det, at højere placeringer på ryglænsrørene fungerer bedst.

Sæt beslagene på.

- Løsgør bøjleskruerne (A) med den medfølgende 10 mm skruenøgle. BEMÆRK – Ved store rørdiameterer skal spændeskruerne muligvis fjernes helt.
- Fastgør og indstil beslagene på kørestolens ryglænsrør.
- Spænd spændeskruerne (A) med hånden.

BEMÆRK: Beslagene kræver muligvis yderligere sidejustering for at sikre, at de sidder korrekt i forhold til hinanden.

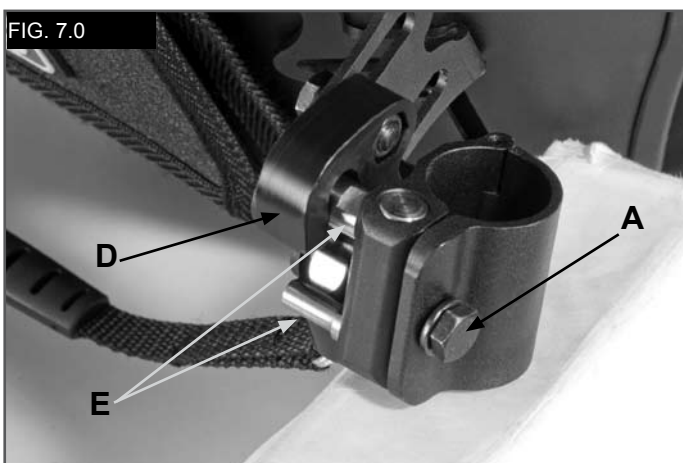
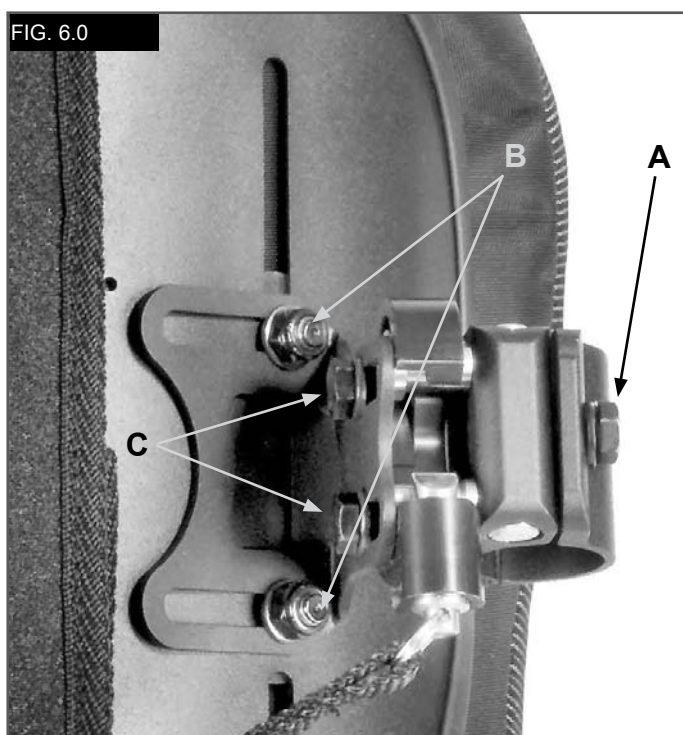
Fastgøring og justering af ryggen skal (Fig. 6.0 - 7.0)

- Løsgør bæremøtrikkerne (B) og monteringslåseboltene (C) ved hjælp af en 10mm skruenøgle, indtil hardwaren kan bevæge sig frit i alle retninger.
- Fastgør Kids Ryg til hardwarens holdere ved at indsætte de venstre og højre monteringskroge (D) i de venstre og højre holdere (E).
- Placér ryggen i den omtrentlige slutposition, både i forhold til kørestolen og brugeren.
- Stram boltene på indersiden af monteringskroge (D).
- Det anbefalede tilspændingsmoment er 11,3 - 12,4 Nm. BEMÆRK – Rygstøttens dybde og vinkel skal muligvis justeres yderligere for at sikre at den passer korrekt til klienten.
- Spænd bæremøtrikkerne (B). Det anbefalede tilspændingsmoment er 8,5 - 9,3 Nm.

BEMÆRK: Ryggens højde skal muligvis justeres yderligere for at sikre at den passer korrekt til brugeren.

- Test ryggen udløser ved at trække ryglænets udløserhåndtag tilbage, og ved at flytte stolens ryglæn tilbage. (Yderligere oplysninger findes i afsnittet "Aftagning og genmontering").
- Monteringsbeslagene og ryggen er justeret korrekt i forhold til hinanden, når ryglænet glider ubesværet af og på.
- Hvis den korrekte justering ikke er opnået, skal komponenterne justeres indtil de sidder korrekt.
- Når de sidder korrekt, spændes beslagenes spændeskruer fast.

BEMÆRK: Det anbefalede tilspændingsmoment er: 8,5 - 9,3 Nm.



JUSTERING AF JAY-ZIP HØJDE, DYBDE OG VINKEL

Med brugeren i stolen, skal du ændre ryggens højde, dybde og vinkel for at opfylde brugerens unikke krav.

⚠ ADVARSEL

- Brugeren må dog ikke lægge fuldt tryk på ryggen, da det endnu ikke er spændt helt til de krævede tilspændingsmomenter.

Højdejustering (Fig. 8.0)

- Mens brugeren sidder i kørestolen, skal ryggens ønskede højde fastslås.
- Når det er identificeret, skal du få brugeren til at fjerne trykket fra ryggen ved at få ham/hende til at læne sig eller glide delvis fremad, for at lade justeringen finde sted.
- Skru bæremøtrikkerne (B) løs, og justér højden på ryggens skal til den ønskede position.
- Spænd bæremøtrikkerne (B) forsvarligt.
- Det anbefalede tilspændingsmoment er 8,5 - 9,3 Nm.

BEMÆRK: Når højdejusteringen er færdig, skal du tjekke at bredden ikke uforvarende har ændret sig når du strammer møtrikkerne.

Justering af dybde/vinkel (Fig. 8.0)

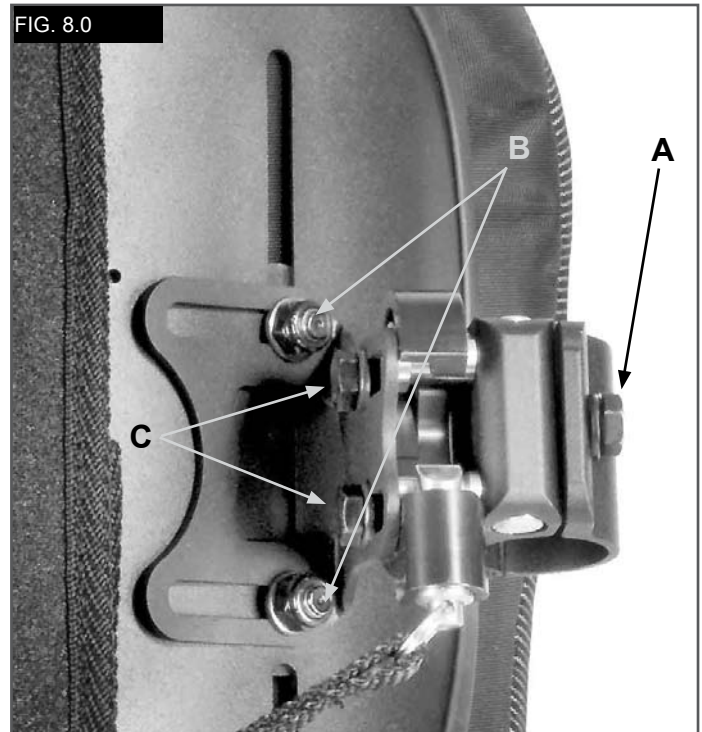
Hardwaren giver mulighed for en forreste dybdejustering på 1,6", (40,5mm), 3", (76,2mm) med reverserende hardware.

- For at justere ryglænets dybde og vinkel, løsgør de venstre og højre bolte (C) på beslagets huller.
- Justér dybden og/eller vinklen, og spænd møtrikkerne forsvarligt.
- Det anbefalede tilspændingsmoment er 11,3 - 12,4 Nm.
- Sørg for, at ingen af dybdejusteringsmøtrikkerne (C) kan glide eller dreje.

⚠ ADVARSEL

Sørg for at al hardwaren er blevet strammet korrekt når alle justeringer er blevet gennemført og at Ryglænet er klar til brug.

FIG. 8.0



SIKKERHED VED TRANSPORT AF RYGLÆNET

Dette ryglæn er blevet dynamisk testet for brug på en kørestol, der transporteres i et motorkøretøj. Du bedes følge alle instrukser angående montering, brug og vedligeholdelse i denne brugsanvisning såvel som den transportvejledning, der findes nedenfor.

⚠ ADVARSLER

- Hvis det er praktisk muligt, bør brugeren sidde i et af de faste sæder i køretøjet og anvende køretøjets sikkerhedsseler.
- Afstanden mellem toppen af brugerens skulder og toppen af det bageste hylster må ikke overskride 3" (7,6 cm).
- Kørestolen bør være mærket til brug som et sæde i et motorkøretøj, som er dynamisk testet i henhold til kravene til ydeevne angivet i DS/ISO-standard 7176-19, og den skal monteres, anvendes og vedligeholdes i henhold til fabrikantens vejledning.
- Hvis det originale sæde i kørestolen er udskiftet, skal det nye sæde være godkendt til transport af kørestole samt installeres og anvendes som angivet i fabrikantens vejledning.
- Kørestolens fastgøringsanordninger og selesystem (WTORS) bør være kompatibelt med den specifikke kørestol og anvendes som angivet i fabrikantens vejledning, og den bør opfylde kravene til ydeevne angivet i DS/ISO-standard 10542.
- Kørestolen skal vende fremad under transport.
- For at reducere mulige ulykker af bilens brugere, skal tilbehør der er monteret på kørestolen, som for eksempel bakker og unødvendigt udstyr, fjernes og fastspændes separat.
- Dette produkt er beregnet til brug af brugere, der vejer mellem 10 og 75 kg.
- Tilbehør til støtte af kropsholdningen såsom hofseseler, kropsstøtter og holdningsstøtteanordninger må ikke anvendes som den eneste form for fastspænding af kørestolsbrugeren under transport i et køretøj, medmindre udstyret er godkendt og mærket i henhold til DS/ISO-standard 16840-4.
- Der må ikke foretages ændringer eller udskiftninger af kørestolens konstruktionsmæssige komponenter, andre dele eller komponenter uden forudgående henvendelse til producenten.
- **HVIS DER IKKE TAGES HØJDE FOR DISSE ADVARSLER, KAN DET MEDFØRE ALVORLIGE PERSONSKADER PÅ KØRESTOLSBRUGEREN ELLER ANDRE.**

AFTAGNING OG GENMONTERING**Aftagning**

Efter udført montering eller justering kan ryggen nemt tages af kørestolen, hvis det er nødvendigt.

For at tage det af, tryk på ryggens håndtag, drej det opad, og tag det derefter af hardwarens holdere.

Korrekt genmontering efter aftagning

Sæt ryggen fast igen på hardwarens holdere, træk i snoren, sæt det tilbage i holderne, og drej det nedad.

⚠ ADVARSEL

Hvis du er i tvivl om at du har hørt låsen "klikke", træk i ryggen for at sørge for at det er blevet låst forsvarligt.

24 MÅNEDERS BEGRÆNSET GARANTI

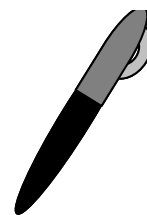
Hver eneste JAY Kids Ryg er blevet nøje efterset og afprøvet for at sikre, at det fungerer optimalt.

Hver eneste JAY Kids Ryg garanteres at være fri fra materiale- og fabrikationsfejl gældende i 24 måneder fra købsdato, forudsat at det anvendes på normal vis. Såfremt der opstår materiale eller fabrikationsfejl inden for 24 måneder fra den oprindelige købsdato, forpligter Sunrise Medical sig til, efter eget skøn, at reparere eller erstatte varen uden beregning.

Denne garanti omfatter ikke punkteringer, flænger, brændemærker eller ryglænets aftagelige betræk.

Erstatningskrav og reparationer skal ske gennem den nærmeste autoriserede forhandler.

Med undtagelse af udtrykkelige garantier fremsat i ovenstående er enhver anden garanti udelukket, herunder også stiltiende garantier for, at varen er salgbar samt formålssegnet. Garantien gælder ikke ud over det heri beskrevne. Godtgørelse for brud på den udtrykkelige garanti er begrænset til reparation eller udskiftning af varen. Under ingen omstændigheder skal skadeserstatning som følge af garantibrud omfatte følgetab eller overstige anskaffelsesprisen på den uacceptable solgte vare.





This product is manufactured to comply with the 'Medical Device Directive' 93/42/EEC.

Dieses Produkte wird in Konformität mit der 'Richtlinie für Medizinprodukte', 93/42/EEC, hergestellt.

Dit product is gemaakt om te voldoen aan de Richtlijn 93/42/EEG betreffende medische hulpmiddelen.

Este producto está fabricado cumpliendo con los requerimientos de las directivas sobre productos sanitarios 93/42/CEE.

Ce fauteuil a été fabriqué conformément à la directive 93/42/CEE relative aux dispositifs médicaux.

Este produto foi fabricado de acordo com a 'Directiva de Dispositivos Médicos' 93/42/EEC.

Denna produkt uppfyller kraven i direktivet för medicinsk utrustning, 93/42/EEC.

Questo prodotto è fabbricato in conformità ai requisiti della direttiva in materia dei dispositivi medici 93/42/CEE.

Dette produktet er produsert i samsvar med medisinsk utstyrdirektiv 93/42/EEC.

Dette produkt er fremstillet i henhold til kravene i EU-direktivet for medicinsk udstyr, 93/42/EØF.

Manufactured under one or more of the following patents plus other patents pending: U.S. Patent #

4,588,229; 4,660,238; 4,726,624; 4,761,843; 4,842,330; 5,018,790; 5,255,404; 5,352,023; 5,362,543; 5,369,829; 5,390,384; 5,395,162; 5,457,833; 5,490,299; 5,397,517; 5,687,436; 5,869,164 and other foreign patents.

Fabbricato in conformità ad uno o più dei seguenti brevetti e ad altri brevetti in attesa di approvazione: brevetti statunitensi n.

ed altri brevetti stranieri.

Tillverkad under en eller flera av följande patent samt andra sökta patent: USA patentnummer

samt andra utländska patent.

Hergestellt unter einem oder mehreren der folgenden Patente sowie unter anderen, erwarteten Patenten: U.S. Patent #

und anderen, ausländischen Patenten.

Sunrise Medical
North American Headquarters
2842 Business Park Avenue
Fresno, CA, 93727, USA
(800) 333-4000
(800) 300-7502
www.SunriseMedical.com



Sunrise Medical
Thorns Road
Brierley Hill
West Midlands
DY5 2LD
Phone: 0845 605 66 88
Fax: 0845 605 66 89
www.SunriseMedical.com



Sunrise Medical GmbH & Co. KG
Kahlbachring 2-4
69254 Malsch/Heidelberg
Deutschland
Tel.: +49 (0) 7253/980-400
Fax: +49 (0) 7253/980-111
www.SunriseMedical.de

www.SunriseMedical.de Sunrise
Medical S.L.
Poligono Bakiola, 41
48498 Arrankudiaga – Vizcaya
España
Tel.: +34 (0) 9 0214 24 34
Fax: +34 (0) 9 46 481575
www.SunriseMedical.es

ZAC de la Vrillonnerie
17 Rue Michael Faraday
37170 Chambray-Lès-Tours
France
Tel : 02 47 55 44 00
Fax : 02 47 55 44 03
www.SunriseMedical.fr

Sunrise Medical Srl
Via Riva 20, Montale
29100 Piacenza (PC)
Italy
Tel.: +39 (0) 05 23-57 3111
Fax: +39 (0) 05 23-570 60
www.SunriseMedical.com

Sunrise Medical A.G.
Lückhalde 14
3074 Muri bei Bern
Schweiz
Tel.: +41 (0) 31-958-38 38
Fax: +41 (0) 31-958-38 48
www.SunriseMedical.ch

G2 A/S
Graham Bells Vej 21-23 A
8200 Arhus N
Denmark
Tel.: +45 87 41 31 00
Fax: +45 87 41 31 31
www.G2.dk

Sunrise Medical AS
Dynamitveien 14B
1400 SKI
Norway
Tel.: +47 (0) 66963800
Fax: +47 (0) 66963838
www.SunriseMedical.com

Sunrise Medical AB
Box 9232
400 95 Göteborg
Sweden
Tel: +46 (0)31 748 37 00
Fax: +46 (0)31 748 37 37
www.SunriseMedical.com

Sunrise Medical B.V.
Groninghaven 18-20
3433 PE NIEUWEGEIN
The Netherlands
T: +31 (0)30 – 60 82 100
F: +31 (0)30 – 60 55 880
E: info@sunrisemedical.nl
www.SunriseMedical.nl

Sunrise Medical Pty. Ltd.
6 Healey Circuit, Huntingwood, NSW 2148,
Australia
Phone: 9678 6600,
Orders Fax: 9678 6655,
Admin Fax: 9831 2244.
www.SunriseMedical.com

Sunrise Medical Poland Sp. z o.o.
ul. Elektronowa 6,
94-103 Łódź
Polska
Telefon: + 48 42 209 36 67
Fax: + 48 42 209 35 23
E-mail: pl@sunrisemedical.de
Sunrise-Medical.pl

Sunrise Medical Canada Inc. -
Concord Head Office
237 Romina Drive, Unit 3
Concord, Ontario L4K 4V3
Canada
Telephone: (+1) 905 660 6704 (Administration)
Telephone 2: (+1) 888 703 9021 (Toll Free)
Fax: (+1) 905 660 2460 (Main)



©2011 Sunrise Medical (US) LLC

OM_Jay ZIP Back_Rev.2.0_EU_ML_10_08_2012

122962 Rev. A_Jay_ZIP_Back_om.Zip