

# International TiLite Twist Order Form

ALUMINUM RIGID, GROWABLE FRAME

Effective 10<sup>th</sup> April 2023 (New Items in Red)

Page 1 of 6

DEALER INFORMATION		RTS INFORMATION	
Dealer:	Account #:	RTS:	Phone:
PO:	Ordered By:	Email:	
Email:		SHIP TO INFORMATION	
Mark For:	User Weight:	Name:	Ship Via:
TiLite Sales Rep:		Address:	
<b>TiLite Information:</b>	Promo Code:	City:	State: Zip:
Ship Date:	Order #:	Phone:	Fax:

More options and frame modifications may be available through our Creative Mobility Division! Please contact customer service for details or [click here](#) to view options.

**Please Email to the Permobil Manual Customer Service Team at: [TiLite\\_Global\\_Support@Permobil.com](mailto:TiLite_Global_Support@Permobil.com)**

## FRAME STYLE

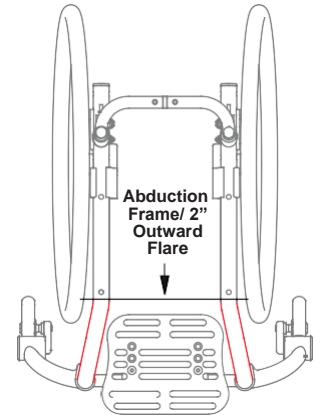
- TWFS2  **TiLite Twist** (Full Adjustability. Seat Width A Grows 2" and Seat Depth B Grows 3". 165 Pound Weight Limit.)..... **£2,578**
- TWFSW7  Abduction Frame with 2" Outward Flare (Requires a No Taper Footrest.)..... **£140**

## TRANSIT TIE-DOWN OPTION

- TWTTDO  Transit Tie-Down Option (Tested to WC-19. Consists of four Tie-Down Brackets. **Transit Option is not available with user weight less than 50 lbs.** Please refer to the Twist Transit Tie-Down Option Brochure for important information regarding the Transit Tie-Down Options.)..... **£183**

## FRAME FINISHES

- |                             |   |  |
|-----------------------------|---|--|
| <b>High Gloss Paint</b>     | <b>TWFF8</b> <input type="checkbox"/> <b>High Gloss Black</b> | TWFF10 <input type="checkbox"/> TiLite Red         |
|                             | TWFF29 <input type="checkbox"/> Neon Pink                     |  |
| <b>Metallic Paint</b>       | TWFF14 <input type="checkbox"/> Ocean Blue Metallic           | TWFF15 <input type="checkbox"/> Tangerine Metallic |
|                             | TWFF30 <input type="checkbox"/> Acid Green Metallic           |  |
| <b>Pearlescent Paint</b>    | TWFF17 <input type="checkbox"/> Midnight Blue Pearl           | TWFF18 <input type="checkbox"/> White Pearl        |
| <b>Matte Paint</b>          | TWFF19 <input type="checkbox"/> Black Lava                    | TWFF27 <input type="checkbox"/> Titanium Grey      |
| <b>Candy Paint</b>          | TWFF22 <input type="checkbox"/> Ruby Red                      | TWFF23 <input type="checkbox"/> Azure Blue         |
|                             | TWFF25 <input type="checkbox"/> Electric Plum                 |  |
| <b>Matte Textured Paint</b> | TWFF40 <input type="checkbox"/> Hyper Blue                    | TWFF41 <input type="checkbox"/> Flame Orange       |
|                             | TWFF42 <input type="checkbox"/> OD Green.....                 | <b>STD</b>   |



## COLOR ANODIZE PACKAGE

(Color Anodize Package includes: Caster Mount, Caster Fork, and Caster Caps. (If no anodize color is selected, the default will be black.)

- TWANO1 Black..... **STD**
- TWANO12 Gold**  **TWANO15 Green**  **TWANO13 Purple**  **TWANO14 Orange**
- TWANO10 Blue**  **TWANO11 Red**..... **£46**

## FRAME MEASUREMENTS

**SEAT WIDTH A** Measure from outside of seat tube at back post to the outside of the opposite seat tube at back post. Seat Width grows 2". All upholstery (except cushion) and components (except TiShaft Back Release Bar available at no charge upon request) needed to grow the Twist seat width are included.

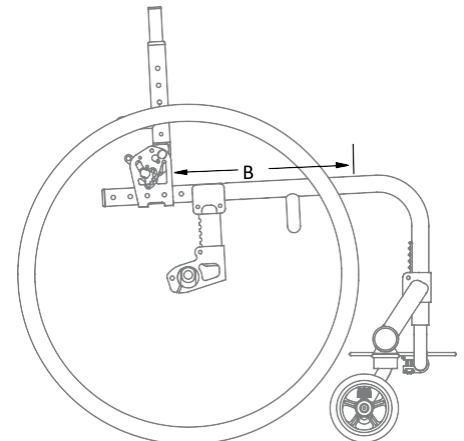
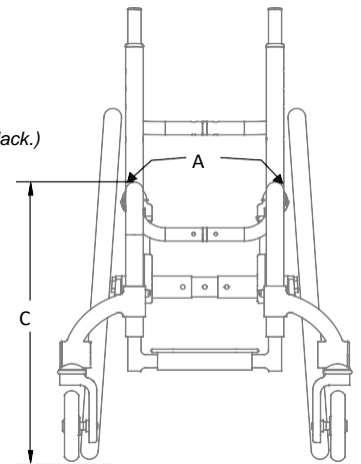
- TWSW5  8"-10"  9"-11"  10"-12"  11"-13"  12"-14"  13"-15"..... **STD**
- Default will be smallest Seat Width for selected range. Please use "Set at" for Seat Width other than default. Set at\_\_\_\_(Use 1" increments)

**SEAT DEPTH B** Measure from front of back post to the front edge of seat sling. Front edge of seat sling will be 1.5" from the beginning of the bend on No Taper and Tapered Frames, and 2" from the beginning of the bend on Abduction Frames. All Upholstery (except cushion) and components needed to grow the Twist seat depth are included. Seat Depth grows 3".

- TWSD4  8"-11" (Requires either 18" or 20" Rear Wheels.)  9"-12"  10"-13"  11"-14"  12"-15"  13"-16"..... **STD**
- Default will be shortest Seat Depth for selected range. Please use "Set at" for Seat Depth other than default. Set at\_\_\_\_(Use 1" increments)

**FRONT SEAT HEIGHT C** Measure from floor to top of seat tube at front edge of seat sling. Twist adjusts up and down in 1/2" increments. (2" Taper available with 12" - 15" or 13" - 16" Seat Depths B only. For 2" Taper Footrest width I add 1.5" to minimum Front Seat Height.)

- TWFSH1  13"  13.5"  14"  14.5"  15"  15.5"  16"  16.5"  17"  17.5"  18"  18.5"  19"  19.5"  20"..... **STD**



# International TiLite Twist Order Form

ALUMINUM RIGID, GROWABLE FRAME

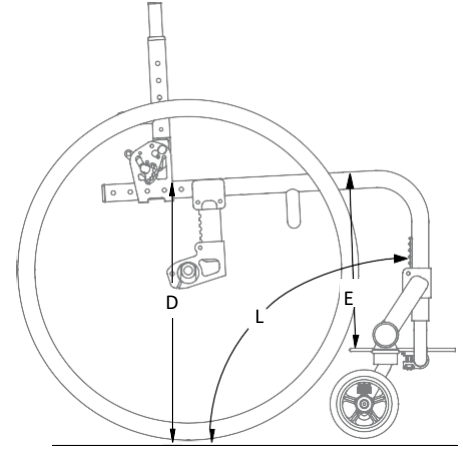
Effective April 10<sup>th</sup> 2023 (New Items in Red)

Page 2 of 6

## FRAME MEASUREMENTS

### FRONT SEAT HEIGHT C RANGES

Front Wheel Size	Front Seat Heights for 8"-11" Seat Depth B	Front Seat Heights for 9"-12" Seat Depth B	Front Seat Heights for 10"-13" Seat Depth B	Front Seat Heights for 11"-14" Seat Depth B	Front Seat Heights for 12"-15" Seat Depth B	Front Seat Heights for 13"-16" Seat Depth B
3"	13.0" - 14.5"	13.5" - 15.0"	13.0" - 16.0"	14.0" - 17.0"	14.5" - 17.5"	15.5" - 18.5"
3" Glide™	14.5" - 15.5"	15.0" - 16.5"	14.0" - 17.0"	15.0" - 18.0"	16.0" - 19.0"	16.5" - 19.5"
4"	13.5" - 15.0"	14.0" - 15.5"	13.5" - 16.5"	14.0" - 17.5"	15.0" - 18.0"	16.0" - 18.5"
4" Glide™	14.5" - 16.0"	15.5" - 17.0"	14.5" - 17.5"	15.5" - 18.5"	16.0" - 19.0"	17.0" - 20.0"
5"	N/A	N/A	14.0" - 17.0"	14.5" - 17.5"	15.5" - 18.5"	16.5" - 19.5"
5" Glide™	N/A	N/A	N/A	N/A	N/A	N/A



**REAR SEAT HEIGHT D** Measure from floor to top of seat tube at Back Post. Twist adjusts up and down in 1/2" increments.

TWRSH1  12"  12.5"  13"  13.5"  
 14"  14.5"  15"  15.5"  
 16"  16.5"  17"  17.5"  
 18"  18.5"  19"  19.5".....**STD**

### REAR SEAT HEIGHT RANGES

Rear Wheel Size	Rear Seat Heights D
18"	12" - 17"
20"	13" - 17.5"
22"	14" - 18.5"
24"	15" - 19.5"

**FRONT ANGLE L** Measure from frame front to floor.

TWFA1  70°  80°  90°.....**STD**

**SEAT TO FOOTREST E /FOOTRESTS** Measure from front edge of seat sling to top rear of footrest.

**Standard Footrests** Measurement must be at least 2" shorter than Front Seat Height C.

9"  9.5"  10"  10.5"  11"  11.5"  12"  12.5"  13"  13.5"  14"  14.5"  15"  15.5"  16"  16.5"  
 TWFTR3  Angle Adjustable Footrest.....**STD**  
 TWFTR24  Flip-Back Depth & Angle Adjustable Footrest (Not available when both 13" -15" Seat Width A and Abduction Frame/2"  
 Outward Flare are ordered.).....**£174**

**High Mount Footrests**

5"  5.5"  6"  6.5"  7"  7.5"  8"  8.5"  9"  9.5"  10"  10.5"  11"  11.5"  12"  12.5"  
 13"  
 TWFTR4  Angle Adjustable High Mount Footrest.....**£86**  
 TWFTR27  Flip-Back Depth & Angle Adjustable High Mount Footrest (Not available when both 13" -15" (33-38cm) Seat Width A  
 and Abduction Frame with 2" Outward Flare are ordered.).....**£260**

**SEAT TO FOOTREST E RANGES** (2" Taper available with 12" - 15" or 13" - 16" Seat Depths B only. Add 1.5" to minimum Seat to Footrest E Ranges with 2" Taper.)

Seat Depth B	3" Front Wheel		4" Front Wheel		5" Front Wheel	
	Standard Footrest	High Mount Footrest	Standard Footrest	High Mount Footrest	Standard Footrest	High Mount Footrest
8" - 11"	9.0" - 12.0"	5.0" - 8.0"	9.0" - 12.0"	5.0" - 8.0"	N/A	N/A
9" - 12"	10.0" - 13.0"	6.0" - 9.0"	10.0" - 13.0"	6.0" - 9.0"	N/A	N/A
10" - 13"	9.0" - 13.5"	5.0" - 9.5"	9.0" - 13.5"	5.0" - 9.5"	9.0" - 14.0"	5.0" - 10.0"
11" - 14"	10.0" - 14.5"	6.0" - 10.5"	10.0" - 14.5"	7.0" - 11.5"	10.0" - 15.0"	6.0" - 11.0"
12" - 15"	11.0" - 15.0"	7.0" - 11.5"	11.0" - 15.0"	8.0" - 12.5"	11.0" - 15.5"	7.0" - 12.0"
13" - 16"	12.0" - 16.0"	8.0" - 12.5"	12.0" - 16.0"	7.5" - 12.0"	12.0" - 16.5"	8.0" - 13.0"

**FOOTREST WIDTH I** Select one of the following options: No Taper or 2" Taper. Measure from inside of front frame tube to inside of opposite front frame tube.

TWFSW1  No Taper (2" Narrower than Seat Width A.).....**STD**  
 TWFSW4  2" Taper (4" Narrower than Seat Width A. Available with 12" - 15" or 13" - 16" Seat Depths B only. Add 1.5" to minimum Seat to Footrest E Ranges.).....**NCO**

# International TiLite Twist Order Form

ALUMINUM RIGID, GROWABLE FRAME

Effective April 10<sup>th</sup> 2023 (New Items in Red)

Page 3 of 6

## FRAME MEASUREMENTS

**FOOTREST WIDTH I** (Inside Measurement)

Seat Width A (Outside Measurement)	No Taper (2" Narrower than Seat Width A)	2" Taper (4" narrower than Seat Width A)
8"	6"	N/A
9"	7"	N/A
10"	8"	N/A
11"	9"	N/A
12"	10"	8"
13"	11"	9"

**SEAT BACK TYPE/PUSH HANDLES/SEAT BACK HEIGHT F** Measure from top of back post to top of seat tube at rear of frame.

### SEAT BACK TYPE

- TWSB1  Folding Aluminum Adjustable Height with  
TiShaft Aluminum Back Release Bar..... **STD**
- TWSB11  Seat Back that Locks when Folded..... **NCO**

### PUSH HANDLES

- TWSB6  Integrated Push Handles..... **NCO**
- TWSB7  Integrated Fold-Down Push Handles (Requires Tension Adjustable by Straps  
Back Upholstery.)..... **£98**
- TWSB8  Bolt-On Push Handles (Requires 12"-14" or 13"-15" Seat Width A range.)..... **£166**
- TWSB9  Bolt-On Height-Adjustable Push Handles (Requires 12"-14" or 13"-15" Seat  
Width A range.)..... **£285**
- TWSB20  Bolt-On Center Mount Height-Adjustable Push Handle
- Small 9.25"  Standard 14.25"  Tall 19.25"..... **£154**
- TWSB21  Stroller Handle..... **£180**

**SEAT BACK HEIGHT F** (Short Seat Back Height F not available with Flip Back Tubular Armrests.)

Push Handles (Selected Above)	Short	Medium	Tall	Set at: (Use 1/2" increments)
None/Bolt-On/Stroller	<input type="checkbox"/> 8.5"- 11.5"	<input type="checkbox"/> 12"- 16.5"	<input type="checkbox"/> 16.5"- 20.5"	Set at: _____
Integrated	<input type="checkbox"/> 10.5"- 12.5"	<input type="checkbox"/> 13.5"- 16.5"	<input type="checkbox"/> 17.5"- 20.5"	Set at: _____
Integrated Fold-Down	<input type="checkbox"/> 13"- 15.5"	<input type="checkbox"/> 14.5"- 19"	<input type="checkbox"/> 18.5"- 21"	Set at: _____

### AVAILABLE ON ALL BACKS

- TWSB22  Height Adjustable Backrest Rigidizer Bar..... **£131**

**SEAT BACK ANGLE G** Measure angle from front of back post to floor. 90° will be perpendicular to the floor. To approximate the angle from the back post to the seat, subtract 2 degrees from measurement G for every 1/2" of dump.

- TWSBA1  80°  83°  86°  89°  92°  95°  98°  101°..... **NCO**

**REAR WHEEL SPACING J** Measure from outside of seat back post to inside of rear

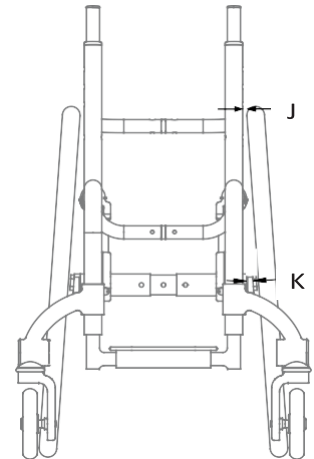
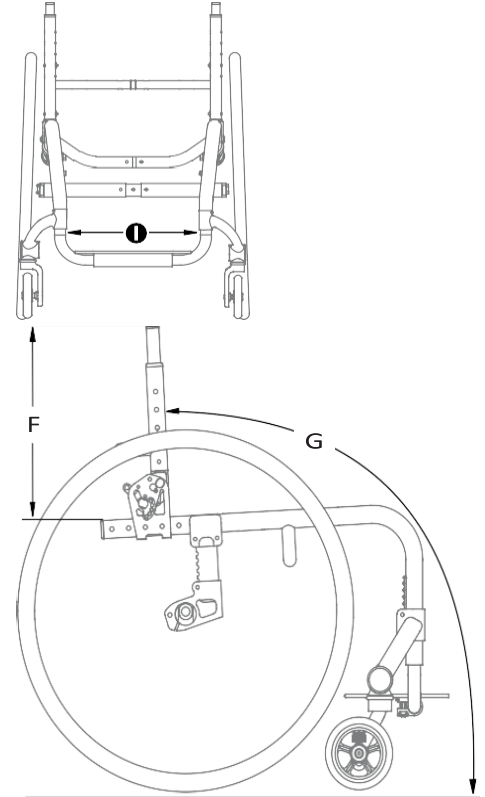
tire. 3/4" Rear Wheel Spacing not available with 0° or 2° Camber K.

Not all rear wheel spacing is available with all accessories.

- TWRWS1  .75"  1"  1.25"  1.5"  1.75"  2"..... **STD**
- TWCBR12  Adjustable Rear Wheel Spacing Camber Plugs..... **STD**
- TWCBR9  Additional Spacers to Increase Rear Wheel Spacing..... **NCO**

### CAMBER K/CAMBER TUBES

- TWCBR1  0°  2°  4°  6°  8°  12°..... **STD**
- TWCBR15  Aluminum Camber Tube..... **STD**



## CUSTOM CONFIGURATION OPTIONS

**FRONT WHEELS** (See Front Seat Height Ranges Chart on Page 2 for Front Seat Height C limitations.)

- TFWW24  3"x1.5" LiteSpeed Billet Aluminum Wheel w/Soft Roll Tire  Silver Hub **OR**  Black Hub..... **£148**
- TFWW14  4"x.75" Plastic Wheel w/Poly Tire (Not available with Slipstream Fork.)..... **NCO**
- TFWW3  4"x.75" Light-Up Micro-Caster (Not available with Slipstream Fork.)..... **£69**
- TFWW26  4"x1.5" LiteSpeed Plastic Wheel w/Soft Roll Tire..... **£81**
- TFWW27  4"x1.5" LiteSpeed Billet Aluminum Wheel w/Soft Roll Tire  Silver Hub **OR**  Black Hub..... **£157**
- TFWW6  5"x1" Plastic Wheel w/Poly Tire (Not available with 90° Front Angle L, Slipstream Fork.)..... **NCO**
- TFWW28  5"x1.5" LiteSpeed Plastic Wheel w/Soft Roll Tire (Not available with 90° Front Angle L.)..... **£81**
- TFWW30  5"x1.5" LiteSpeed Billet Aluminum Wheel w/Soft Roll Tire  Silver Hub **OR**  Black Hub (Not available with 90° Front  
Angle L.)..... **£174**

# International TiLite Twist Order Form

ALUMINUM RIGID, GROWABLE FRAME

Effective April 10<sup>th</sup> 2023 (New Items in Red)

Page 4 of 6

## PRECISION LOCK FRONT FORKS

TWFK1	<input type="checkbox"/> TiLite Standard Fork.....	STD
TWFK2	<input type="checkbox"/> TiLite Slipstream Single-Sided Fork.....	£166
TWGL1	<input type="checkbox"/> Out-Front Glide™ Suspension Fork (Black anodize only. Requires 14.5" minimum Front Seat Height C.).....	£410
	Rider's Weight: <input type="checkbox"/> 125 lbs. <input type="checkbox"/> 125-180 lbs.	
TWTS1	<input type="checkbox"/> Titanium Fork Stem.....	£46

## REAR WHEELS (See Rear Seat Height Ranges Chart on Page 2 for Rear Seat Height D limitations.)

TWRW14	TiLite SHADOW™.....	STD
	<input type="checkbox"/> 18"(400)	
	<input type="checkbox"/> 20"(451)	
	<input type="checkbox"/> 22"(501)	
	<input type="checkbox"/> 24"(540)	

TWRW7	Spinerger® SPOX <input type="checkbox"/> Black <input type="checkbox"/> Red <input type="checkbox"/> Blue <input type="checkbox"/> White.....	£493
	<input type="checkbox"/> 22"(501) - Std. Hub	
	<input type="checkbox"/> 24"(540) - Std. Hub	

TWRW8	Spinerger® LX <input type="checkbox"/> Black <input type="checkbox"/> Red <input type="checkbox"/> Blue <input type="checkbox"/> White <input type="checkbox"/> Bright Orange <input type="checkbox"/> Flamingo Pink <input type="checkbox"/> Purple.....	£719
	<input type="checkbox"/> 22"(501) - Std. Hub	
	<input type="checkbox"/> 24"(540) - Std. Hub	

TWRW9	New Spinerger Design Lab LX Wheels (If same color is selected, anodized hubs and rims match color anodized package on page 1. Available with black spokes only.) <input type="checkbox"/> Gold Anodize <input type="checkbox"/> Green Anodize <input type="checkbox"/> Blue Anodize <input type="checkbox"/> Red Anodize <input type="checkbox"/> Purple Anodize <input type="checkbox"/> Orange Anodize.....	£719
	<input type="checkbox"/> 22"(501) - Std. Hub	
	<input type="checkbox"/> 24"(540) - Std. Hub	

TWRW16	New Spinerger® Carbon Blade with 3k Weave Carbon Fiber.....	£1,091
	<input type="checkbox"/> 24"(540)	

TWRW17	X-Core Mag (Not available with Short Tabs, Quad Release Axles, Spoke Guards or Omit Handrims Option. Requires Aluminum Sliver Anodized Handrims).....	£94
	<input type="checkbox"/> 20"(451)	
	<input type="checkbox"/> 22"(501)	
	<input type="checkbox"/> 24"(540)	

## AXLES

TWAXL1	<input type="checkbox"/> Stainless Quick Release.....	STD
TWAXL2	<input type="checkbox"/> Titanium Quick Release.....	£223
TWAXL3	<input type="checkbox"/> Quad Release (Not available with Mag Rear Wheels.).....	£131

## PNEUMATIC REAR TIRES

TWRTR1	<input type="checkbox"/> Treaded.....	STD
TWRTR2	<input type="checkbox"/> Airless Inserts (Not available with 18" Rear Wheels.).....	£81
TWRTR4	<input type="checkbox"/> New MBL SpeedLite 20"(451), 22"(501), 24"(540).....	NCO
TWRTR8	<input type="checkbox"/> 24"(540) Schwalbe® Marathon Plus Evolution.....	£89
TWRTR9	<input type="checkbox"/> 24"(540) Schwalbe® Slick Tires.....	£89
TWRTR24	<input type="checkbox"/> 24"(540) Kenda® Kobra Knobby Tires.....	£76

## SOLID REAR TIRES

TWRTR22	<input type="checkbox"/> 18"(400), 20"(451), 22"(501) and 24"(540) Primo Express (Not available with Spinerger Carbon Blade Rear Wheels.).....	£94
TWRTR23	<input type="checkbox"/> 24"(540) Primo Active.....	£114

## HANDRIMS

### Handrims by OUT-FRONT®

TWRIM1	<input type="checkbox"/> Aluminum – Silver Anodized.....	STD
TWRIM21	<input type="checkbox"/> Aluminum – Black Anodized (Not available with 18" (400), or 20" (451) Rear Wheels.).....	£46
TWRIM12	<input type="checkbox"/> Titanium – Satin Finish (Not available with 18" (400) 20"(451) or 22"(501) Rear Wheels, or 24"(540) Knobby tires.).....	£388
The Natural-Fit® (Original, Larger Profile) (Not available with 18"(400) or 20"(451) Rear Wheels.)		
TWRIM14	<input type="checkbox"/> Standard Grip (Not available with Short Tabs or Spinerger Carbon Blade Rear Wheels.).....	£302
TWRIM15	<input type="checkbox"/> Super Grip (Not available with Short Tabs or Spinerger Carbon Blade Rear Wheels.).....	£341
TWRIM 16	<input type="checkbox"/> Without Thumb Grip.....	£282
The Natural-Fit® LT (Reduced Weight, Smaller Profile) (Not available with 18"(400) or 20"(451) Rear Wheels.)		
TWRIM17	<input type="checkbox"/> Standard Grip (Not available with Short Tabs or Spinerger Carbon Blade Rear Wheels.).....	£328
TWRIM18	<input type="checkbox"/> Super Grip (Not available with Short Tabs or Spinerger Carbon Blade Rear Wheels.).....	£375
TWRIM19	<input type="checkbox"/> Without Thumb Grip.....	£306
TWRIM10	<input type="checkbox"/> The Surge (All-In-One Oval with Gription™ Strip, Larger Profile) (Not available with 18"(400) or 20"(451) Rear Wheels.).....	£312
TWRIM11	<input type="checkbox"/> The Surge LT (All-In-One Oval with Gription™ Strip, Smaller Profile) (Not available with 18"(400) or 20"(451) Rear Wheels.).....	£337
TWRIM20	<input type="checkbox"/> Q-Grip (Exclusive High-Friction, Anti-Slip Coating) (Not available with 18"(400), 20"(451) Rear Wheels.).....	£285

### Additional Handrim Options

TWRIM5	<input type="checkbox"/> Plastic Coated – Black (Not available with 18" (400) Rear Wheels.).....	£111
TWRIM22	<input type="checkbox"/> Omit Handrims.....	NCO

### Tab Length

TWRIM7	<input type="checkbox"/> Long Tabs.....	STD
TWRIM8	<input type="checkbox"/> Short Tabs (Not available with Mag Rear Wheels or The Natural-Fit® Handrims with Thumb Grip.).....	£17

# International TiLite Twist Order Form

ALUMINUM RIGID, GROWABLE FRAME

Effective April 10<sup>th</sup> 2023 (New Items in Red)

Page 5 of 6

## CUSTOM CONFIGURATION OPTIONS

### WHEEL LOCKS

#### Wheel Locks by OUT-FRONT®

TWWLK7	<input type="checkbox"/> Compact Composite <u>Push</u> to Lock (Available with .75" to 1.5" Rear Wheel Spacing J only.)	NCO
TWWLK8	<input type="checkbox"/> Compact Composite <u>Pull</u> to Lock (Available with .75" to 1.5" Rear Wheel Spacing J only.)	NCO
TWWLK10	<input type="checkbox"/> Extension Handles for Composite Push/Pull to Lock	£69
TWWLK9	<input type="checkbox"/> Composite Scissor Lock	£124

#### Additional Wheel Locks

TWWLK11	<input type="checkbox"/> <b>New MBL Composite Scissor Lock</b>	<b>£124</b>
TWWLK3	Uni-Lock Set At: <input type="checkbox"/> Push <b>OR</b> <input type="checkbox"/> Pull	£140
TWWLK4	<input type="checkbox"/> Extension Handles for Uni-Lock	£69

### BACK UPHOLSTERY

TWBUP2	<input type="checkbox"/> Velcro Adjustable (Not available with Fold-Down Push Handles.)	STD
	Tension Adjustable by Straps (Required with Fold-Down Push Handles.)	
TWBUP3	<input type="checkbox"/> Padded Nylon	£94
TWBUP5	<input type="checkbox"/> AIR Breathable Upholstery (Not available with Ultrasuede or NiteLite Backrest Stripe.)	£166
TWUPC3	Ultrasuede Backrest Stripe <input type="checkbox"/> Black <input type="checkbox"/> Sapphire <input type="checkbox"/> Red Pepper <input type="checkbox"/> Burnt Orange <input type="checkbox"/> Ultraviolet <input type="checkbox"/> NiteLite Reflective (Not available with AIR Breathable Back Upholstery.)	£89
TWBUP0	<input type="checkbox"/> Omit Back Upholstery	NCO

### SEAT UPHOLSTERY

TWSUP1	<input type="checkbox"/> Tension Adjustable Bolt On (Black only.)	STD
TWSUP0	<input type="checkbox"/> Omit Seat Upholstery	NCO

### SEAT CUSHION (Want more seating options? [Click here](#) to view the new TiLite Seating Order Form.)

TWCSH2	<input type="checkbox"/> Comfort Curve Cushion (Stretch-Air cover)	£88
TWCSH23	<input type="checkbox"/> Comfort Embrace Zero Elevation Cushion (Comfort-Tek cover)	£295
TWCSH11	<input type="checkbox"/> ROHO® LOW PROFILE® Single Compartment Cushion	£612

### SIDE GUARDS

#### Aluminum

TWSDG2	<input type="checkbox"/> Rigid Removable <input type="checkbox"/> Xtra Small <b>OR</b> <input type="checkbox"/> Small <b>OR</b> <input type="checkbox"/> Std	£166
TWSDG3	<input type="checkbox"/> Quad Removable w/Hole <input type="checkbox"/> Small <b>OR</b> <input type="checkbox"/> Std	£174
<b>New 3k Weave Carbon Fiber</b>		
TWSDG7	<input type="checkbox"/> Rigid Removable <input type="checkbox"/> Small <b>OR</b> <input type="checkbox"/> Std	£260
TWSDG8	<input type="checkbox"/> Quad Removable w/Hole <input type="checkbox"/> Small <b>OR</b> <input type="checkbox"/> Std	£268
TWSDG12	<input type="checkbox"/> Fendered Removable	£384

#### Available on Aluminum and Carbon Fiber Non-Fendered Side Guards

TWSDG13	<input type="checkbox"/> Side Guards Custom Cut to Profile of Rear Wheels	£264
---------	---	------

### ARMRESTS (Desk Arms come with built-in Side Guards.)

TWARM1	<input type="checkbox"/> Swing Away Tubular	£180
TWARM4	<input type="checkbox"/> Flip Back Tubular (Not available with Short Seat Back Height or Velcro Adjustable Back Upholstery F.)	£264
TWARM2	<input type="checkbox"/> Removable Height Adjustable Pediatric Desk Arm with Rigid Side Guard (Requires 10" minimum Seat Depth B.)	£285
	<input type="checkbox"/> Standard Length Pad (10")	

#### Available Armrest Option

TWARM5	<input type="checkbox"/> Covered in Black Ultrasuede (Not available with Desk Arms)	£94
--------	---	-----

### UPPER BODY POSITIONING

TWUBP1	<input type="checkbox"/> Bodypoint® PivotFit™ Dynamic shoulder harness with cam buckle mounts, rear-pull	£180
	<input type="checkbox"/> Extra Small <input type="checkbox"/> Small	

### SEAT BELTS

TWBLT1	<input type="checkbox"/> Velcro Adjustable, Black Nylon Webbing	£38
TWBLT2	<input type="checkbox"/> Bodypoint® 2" Push-Button Buckle (Auto-Style.)	£86
TWBLT4	<input type="checkbox"/> Bodypoint® 1" Wide Push-Button Buckle Padded (Auto-Style.)	£157
TWBLT5	<input type="checkbox"/> Bodypoint® 1.5" Wide Push-Button Buckle Padded (Auto-Style.)	£148
TWBLT10	<input type="checkbox"/> Bodypoint® Optional Band Clamp Mounting Hardware	£17

### CALF STRAP

TWCLF2	Velcro Adjustable	£30
	<input type="checkbox"/> Small (Recommended for 9" - 12" Footrest Widths.)	
	<input type="checkbox"/> Medium (Recommended for 11" - 15" Footrest Widths.)	
TWCLF3	Bodypoint® Padded Velcro Adjustable	£89
	<input type="checkbox"/> Medium (Recommended for 12" - 15" Footrest Widths.)	
TWCLF1	<input type="checkbox"/> Buckle Adjustable, Black Nylon Webbing	£20
TWCLF15	Bodypoint® Ankle Huggers	
	<input type="checkbox"/> Xtra Small	
	<input type="checkbox"/> Small	£146

# International TiLite Twist Order Form

ALUMINUM RIGID, GROWABLE FRAME

Effective April 10<sup>th</sup> 2023 (New Items in Red)

Page 6 of 6

## CUSTOM CONFIGURATION OPTIONS

### BACKPACK

TWBCK3  Black Permobil Backpack..... £81

### SEAT POUCH

TWPCH3  Black Permobil Seat Pouch..... £46

### SPOKE GUARDS

TWGRD1  Clear with TiMotion Logo (Not available with Mag Rear Wheels or 18" Rear Wheels.)..... £111

### ANTI-TIPS

TWTIP1  Rear Aluminum - Black (Seat Widths A of 8" to 10", 9" to 11" or 10" to 12" will ship with the Center Mount Single Non-Swivel Caster (TWTIP6) at no additional cost when Black Aluminum (TWTIP1) is selected.)..... £137

TWTIP7  Black Aluminum Single..... £69  
Mount on  Left **OR**  Right..... NCO

TWTIP2  User Friendly Flip-up (Requires 12" to 14" or 13" to 15" Seat Widths A range.)..... £285

TWTIP8  User Friendly Flip up Single (Requires 12" to 14" or 13" to 15" Seat Widths A range.)..... £140  
Mount on  Left **OR**  Right..... NCO

TWTIP5  Center Mount Swivel Caster Anti-Tip..... £223

TWTIP6  Center Mount Non-Swivel Caster Anti-Tip..... £188

### ACCESSORIES

TWUEST1 Upper Extremity Support Tray  12" to 14" **OR**  13" to 15" Seat Widths A (Requires Armrests.)..... £243

TWMPCT2 Neoprene Impact Guards with Ultrasuede Stripe  Black..... £89

TWCH1  Crutch Holder..... £124

## GENERAL

More options and frame modifications may be available through our Creative Mobility Division! Please contact customer service for details or [click here](#) to view options.

Permobil manufactures TiLite manual wheelchairs in a wide variety of configurations to meet the varied needs of wheelchair users. The final selection of a particular model, its options and accessories, and its measurements rests solely with the wheelchair user and advising healthcare professional. These wheelchairs must be fitted by a qualified healthcare professional. HCPCS Codes are for reference purposes only. Actual coding and coverage varies by payer. Proper HCPCS coding is not a guarantee of payment. Please verify the appropriate payer's coverage policy.

Get the latest order forms at [permobilus.com](http://permobilus.com). Prices, standard features, options and accessories are subject to change without notice. All rights reserved. Trademarks are identified by symbols™ and ®. TiLite, TiFit, the TiLite logo, Ti, the Ti logo, and TiShaft are registered trademarks of TiSport, LLC and are licensed to Permobil. Permobil® is a registered trademark of Permobil. Adobe®, Acrobat®, Acrobat Professional® and Reader® are registered trademarks of Adobe Systems Inc. Bodypoint® is a registered trademark of Bodypoint Inc. Kenda® is a registered trademark of Kenda Rubber Industrial Co. Ltd. ROHO®, AGILITY®, Low Profile® and Quadro Select® are registered trademarks of ROHO Inc. Schwalbe® is a registered trademark of Ralf Bohle GmbH. The Natural-Fit® and Out-Front® are registered trademarks of Three Rivers Holdings, LLC. The ACTA-BACK®, ACTA-EMBRACE™, COMFORT-TEK™, COMPASS®, CURVE®, ELEMENTS®, and STRETCH AIR™ are registered trademarks of THE COMFORT COMPANY® and are licensed to Permobil. Q'Straint® is a registered trademark of Q'Straint Inc.

## NOTES

### QUOTE THIS CHAIR

If you are using Adobe Acrobat, this order form may be converted into a quote request or into an order by clicking one of the buttons (this feature is available exclusively to Permobil dealers and distributors). A Quote or an Order Confirmation will be sent to you within 24 hours.

### ORDER THIS CHAIR