

Invoice to:  
 Name:  
 Street:  
 Town: Postal code:  
 E-Mail:  
 Tel: Fax:

Deliver to:  
 Name:  
 Street:  
 Town: Postal code:  
 E-Mail:  
 Tel: Fax:

Order date:  
 Purchase order:

Marked for:

<b>Base Price</b>
<b>£2,390</b>

Fax number: +44 (0)845 605 66 89  
 Email: [orders@sunmed.co.uk](mailto:orders@sunmed.co.uk)  
 Max User Weight 65Kg

**Transit approved to ISO 7176-19**  
*(only when transit bracket option is selected)*

**Part No 062001-000 PQR01**

**CLIENT MEASUREMENT**

**Seat width in cm**

		22	24	26	28	30	32	34	36
Seat depth in cm	24	<input type="radio"/>	<input type="radio"/>	<input type="radio"/>	<input type="radio"/>	<input type="radio"/>	<input type="radio"/>	<input type="radio"/>	<input type="radio"/>
	26	<input type="radio"/>	<input type="radio"/>	<input type="radio"/>	<input type="radio"/>	<input type="radio"/>	<input type="radio"/>	<input type="radio"/>	<input type="radio"/>
	28	<input type="radio"/>	<input type="radio"/>	<input type="radio"/>	<input type="radio"/>	<input type="radio"/>	<input type="radio"/>	<input type="radio"/>	<input type="radio"/>
	30	<input type="radio"/>	<input type="radio"/>	<input type="radio"/>	<input type="radio"/>	<input type="radio"/>	<input type="radio"/>	<input type="radio"/>	<input type="radio"/>
	32	<input type="radio"/>	<input type="radio"/>	<input type="radio"/>	<input type="radio"/>	<input type="radio"/>	<input type="radio"/>	<input type="radio"/>	<input type="radio"/>
	34	<input type="radio"/>	<input type="radio"/>	<input type="radio"/>	<input type="radio"/>	<input type="radio"/>	<input type="radio"/>	<input type="radio"/>	<input type="radio"/>
	36	<input type="radio"/>	<input type="radio"/>	<input type="radio"/>	<input type="radio"/>	<input type="radio"/>	<input type="radio"/>	<input type="radio"/>	<input type="radio"/>
	38	<input type="radio"/>	<input type="radio"/>	<input type="radio"/>	<input type="radio"/>	<input type="radio"/>	<input type="radio"/>	<input type="radio"/>	<input type="radio"/>

Each seat width can be extended by 2 cm without extra parts

Please note the method of measurement is from the back. All measurements are in cm and without a cushion.

Only available with abduction frame

Each seat depth can be extended by 4 cm without extra parts

**Front seat height in cm**

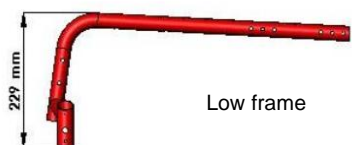
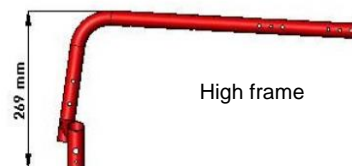
	Fork (length)	Frame:	36	37	38	39	40	41	42	43	44	45	46	47	48	
Front castor	3"	111 mm	Low	<input type="radio"/>	<input type="radio"/>	<input type="radio"/>	<input type="radio"/>	<input type="radio"/>	<input type="radio"/>	<input type="radio"/>	<input type="radio"/>	<input type="radio"/>	<input type="radio"/>	<input type="radio"/>	<input type="radio"/>	
		111 mm	High													
	4"	111 mm	Low		<input type="radio"/>		<input type="radio"/>	<input type="radio"/>	<input type="radio"/>	<input type="radio"/>						
		123 mm	Low				<input type="radio"/>	<input type="radio"/>	<input type="radio"/>	<input type="radio"/>						
		123 mm (1)	Low				<input type="radio"/>	<input type="radio"/>	<input type="radio"/>	<input type="radio"/>						
		111 mm	High					<input type="radio"/>	<input type="radio"/>	<input type="radio"/>	<input type="radio"/>	<input type="radio"/>	<input type="radio"/>	<input type="radio"/>	<input type="radio"/>	<input type="radio"/>
		123 mm	High							<input type="radio"/>	<input type="radio"/>	<input type="radio"/>	<input type="radio"/>	<input type="radio"/>	<input type="radio"/>	
		123 mm (1)	High							<input type="radio"/>	<input type="radio"/>	<input type="radio"/>	<input type="radio"/>	<input type="radio"/>	<input type="radio"/>	
	5"	111 mm	Low					<input type="radio"/>	<input type="radio"/>	<input type="radio"/>						
		123 mm	Low						<input type="radio"/>	<input type="radio"/>	<input type="radio"/>	<input type="radio"/>	<input type="radio"/>	<input type="radio"/>	<input type="radio"/>	<input type="radio"/>
		123 mm (1)	Low							<input type="radio"/>	<input type="radio"/>	<input type="radio"/>	<input type="radio"/>	<input type="radio"/>	<input type="radio"/>	
		111 mm	High								<input type="radio"/>	<input type="radio"/>	<input type="radio"/>	<input type="radio"/>	<input type="radio"/>	
123 mm		High									<input type="radio"/>	<input type="radio"/>	<input type="radio"/>	<input type="radio"/>		
123 mm (1)		High										<input type="radio"/>	<input type="radio"/>	<input type="radio"/>		
6"	111 mm	Low							<input type="radio"/>	<input type="radio"/>	<input type="radio"/>	<input type="radio"/>	<input type="radio"/>	<input type="radio"/>	<input type="radio"/>	
	123 mm	Low								<input type="radio"/>	<input type="radio"/>	<input type="radio"/>	<input type="radio"/>	<input type="radio"/>		
	123 mm (1)	Low									<input type="radio"/>	<input type="radio"/>	<input type="radio"/>	<input type="radio"/>		
	111 mm	High										<input type="radio"/>	<input type="radio"/>	<input type="radio"/>		
	123 mm	High											<input type="radio"/>	<input type="radio"/>		
	123 mm (1)	High												<input type="radio"/>		

Your rear seat height can only be between 0 cm and 13 cm below your front seat height:

i.e. rear seat height CANNOT be above front seat height

i.e. rear seat height CANNOT be more than 13 cm below front seat height

. More info, see first



**Rear seat height in cm**

	Wheels	29	30	31	32	33	34	35	36	37	38	39	40	41	42	43	44	45	46
Rear whe	20" (2)	<input type="radio"/>	<input type="radio"/>	<input type="radio"/>	<input type="radio"/>	<input type="radio"/>	<input type="radio"/>	<input type="radio"/>	<input type="radio"/>	<input type="radio"/>	<input type="radio"/>	<input type="radio"/>	<input type="radio"/>	<input type="radio"/>	<input type="radio"/>	<input type="radio"/>	<input type="radio"/>	<input type="radio"/>	<input type="radio"/>
	22"				<input type="radio"/>	<input type="radio"/>	<input type="radio"/>	<input type="radio"/>	<input type="radio"/>	<input type="radio"/>	<input type="radio"/>	<input type="radio"/>	<input type="radio"/>	<input type="radio"/>	<input type="radio"/>	<input type="radio"/>	<input type="radio"/>	<input type="radio"/>	<input type="radio"/>
	24"																<input type="radio"/>	<input type="radio"/>	<input type="radio"/>

(1) fork compatible with additional drive

(2) only with Proton wheels/Right Run tyres

							£
<b>SEAT UPHOLSTERY</b>							
<b>Seat sling</b>							
						(with pad)	
SIB020002	<input type="radio"/>	1 Utility bag				(Std default option)	
SIB020004	<input type="checkbox"/>	Utility bag and catheter bag				(only from SW 34 cm)	84
SIB020000	<input type="checkbox"/>	Without seat sling					
<b>Seat cushion with cover, black</b>							
	a)	Foam composite	Thickness:	<input type="checkbox"/> 3cm	<input type="checkbox"/> 5cm	(medium)	56
	b)	Latex	Thickness:	<input type="checkbox"/> 5cm	<input type="checkbox"/> 8cm	(very soft)	56
<b>Seat cushion with water resistant / breathable cover</b>							
	a)	Foam composite	Thickness:	<input type="checkbox"/> 3cm	<input type="checkbox"/> 5cm	(medium)	116
	b)	Latex	Thickness:	<input type="checkbox"/> 5cm	<input type="checkbox"/> 8cm	(very soft)	116
<b>Seat accessories</b>							
SIB090018	<input type="checkbox"/>	Positioning belt with lock					39
SIB020150	<input type="checkbox"/>	Spare cushion cover with zipper					42
<b>Backrest (range)</b>							
		<b>20 - 25</b>	<b>25 - 30</b>	<b>30 - 35</b>	<b>35 - 40</b>		
	<b>Back height set at (cm)</b>	<input type="radio"/> 20	<input type="radio"/> 25	<input type="radio"/> 30	<input type="radio"/> 35		
		<input type="radio"/> 22.5	<input type="radio"/> 27.5	<input type="radio"/> 32.5	<input type="radio"/> 37.5		
		<input type="radio"/> 25	<input type="radio"/> 30	<input type="radio"/> 35	<input type="radio"/> 40		
<b>BACKREST</b>							
<b>Backrest frame (4 cm seat depth growth built in)</b>							
SIB030015	<input type="radio"/>	Foldable, angle adjustable		(74° to 110° adjustable)		(-16° to +20°)	
SIB030102	<input type="checkbox"/>	Double locking back <b>(6)</b>	(not in combination with 1240)	(74° to 110° adjustable)		(-16° to +20°)	36
SIB030530	<input type="checkbox"/>	Relax position (+10°)				(not in combination with 4016)	164
<b>Push handles</b>							
SIB030200	<input type="radio"/>	Without push handles (rounded tube end)					
SIB030201	<input type="radio"/>	Std. push handles (long)					
SIB030203	<input type="checkbox"/>	Fold-down push handles <b>(1)</b>					134
SIB030204	<input type="checkbox"/>	Height-adjustable push handles <b>(6)</b>					179
SIB030201	<input type="checkbox"/>	Prepared for JAY Zip back				(not with Distance 20 mm for stabilising bar)	198
SIB030208	<input type="checkbox"/>	Push bar, height-adjustable, width and angle-adjustable				(not with SW 22)	345
SIB030405	<input type="checkbox"/>	Fitting kit (spacer) for shells/back	<b>(6)</b>				72
<b>Backrest upholstery</b>							
SIB030316	<input type="radio"/>	EXO Backrest sling, synthetic fibre, padded, adjustable, 1 accessory bag, black					
		Colour, binding tape:	<input type="radio"/> Black	<input type="radio"/> Orange	<input type="radio"/> Silver	<input type="radio"/> Red	<input type="radio"/> Blue
SIB030317	<input type="checkbox"/>	EXO PRO Backrest, synthetic fibre, padded, adj., breathable spacer fabric, 1 accessory bag, black					147
		Colour, binding tape:	<input type="radio"/> Black	<input type="radio"/> Orange	<input type="radio"/> Silver	<input type="radio"/> Red	<input type="radio"/> Blue
SIB030300	<input type="radio"/>	Without backrest upholstery					
<b>Headrest</b>							
SIB030411	<input type="checkbox"/>	Headrest small <b>(2)</b>	SIB030410	<input type="checkbox"/>	Headrest large <b>(2)</b>	(not in combination with 4022, 4024)	193
<b>SIDE GUARDS AND ARMREST</b>							
SIB040103	<input type="checkbox"/>	Straight side guard aluminium with fender (Pair) - for use with Safari brakes					253
SIB040055	<input type="checkbox"/>	Tool height adjustable armrest - short pad <b>(3)</b> (includes aluminium side guard)					342
<b>Accessories</b>							
SIB090111	<input type="checkbox"/>	Height adjustable tray table, slide-on for SW 22 - 36 cm					132
		Therapy table, flip-down for SW 26 - 36 cm <b>(4)</b>				(only with height adjustable armrests with pad)	
		Attachment:	SIB090113	<input type="checkbox"/>	right hand	SIB090112	<input type="checkbox"/>
					left hand		193
<b>LEGREST &amp; FOOTPLATES</b>							
<b>Footplates</b>							
SIB050025	<input type="checkbox"/>	Platform footrest angle and depth adjustable (composite footboard)				(LLL between 22 - 36 cm)	107
SIB050056	<input type="checkbox"/>	Aluminum, angle and depth-adjustable, calf strap, black				(LLL between 22 - 36 cm)	121
SIB050032	<input type="radio"/>	Platform footrest swing back (composite footboard)				(LLL between 22 - 36 cm)	
SIB050048	<input type="checkbox"/>	Platform footplates, high mount (composite footboard)				(for lower leg length between 17 - 25 cm)	121
SIB050127	<input type="checkbox"/>	Foot positioning plate				(not in combination with swing back footrest)	67

(1): Only available from back height 30 cm

(2): Only available from back height 30 - 35cm

(3): Not available with the Safari wheel lock - wheel lock integrated into Side guard (6001)

(4): Only available with tool height adjustable armrest - short pad (4227)

(5): For lower leg length between 22 - 36 cm

(6): If the combination of 4016 and 4034 are chosen then 4046 must be added

<b>Lower leg length (LLL)</b>										(Attention: LLL has to be 2.5 cm lower than seat height front)							
<input type="radio"/>	17	<input type="radio"/>	18	<input type="radio"/>	19	<input type="radio"/>	20	<input type="radio"/>	22	<input type="radio"/>	23	<input type="radio"/>	24	<input type="radio"/>	25		
<input type="radio"/>	26	<input type="radio"/>	27	<input type="radio"/>	28	<input type="radio"/>	29	<input type="radio"/>	30	<input type="radio"/>	31	<input type="radio"/>	32	<input type="radio"/>	33		
<input type="radio"/>	34	<input type="radio"/>	35	<input type="radio"/>	36	<b>All measurements are in cm</b>											
<b>FRAME 95° knee angle</b>																	
SIB010018	<input type="radio"/>	Straight standard frame (1)															
SIB010019	<input type="radio"/>	Abduction standard frame (3cm)															
<b>AXLE PLUG AND CENTRE OF GRAVITY (COG)</b>																	
(all measurements are in cm)																	
Choose only one of the 9 choices (measured from front of back post in cm)																	
<input type="radio"/>	2.00 cm																
<input type="radio"/>	3.00 cm																
<input type="radio"/>	4.00 cm																
<input type="radio"/>	5.00 cm																
<input type="radio"/>	6.00 cm																
<input type="radio"/>	7.00 cm																
<input type="radio"/>	8.00 cm																
<input type="radio"/>	9.00 cm																
<input type="radio"/>	10.00 cm																
<b>Frame accessories</b>																	
(choose either tip assist or anti- tip tubes, not both)																	
SIB090100	<input type="radio"/>	Crash test brackets (tie downs)														(includes SIB030405)	
<b>Tip assist (step tube)</b>																	
SIB090001	<input type="checkbox"/>	Left	SIB090002	<input type="checkbox"/>	Right											32	
SIB090009	<input type="checkbox"/>	Crutch holder with Velcro														(only in combination with 1230)	69
<b>Anti-tip tubes, swing-away</b>																	
SIB090004	<input type="checkbox"/>	Left	SIB090005	<input type="checkbox"/>	Right											87	
SIB090006	<input type="checkbox"/>	Pair														177	
<b>CASTOR FORK</b>																	
SIB080013	<input checked="" type="radio"/>	Fork Carbotecture®															
SIB090093	<input type="checkbox"/>	Fork for power add ons, 123x45 mm														67	
<b>STANDARD CASTORS</b>																	
(compare with your choice on the first page)																	
SIB080301	<input type="radio"/>	Solid															
SIB080302	<input type="radio"/>	Soft solid														(only for 5" & 6")	
<b>Light ups</b>																	
SIB080303	<input type="checkbox"/>	Solid Light Ups														(only for 3", 4" and 5")	67
<b>Castors with aluminium rim</b>																	
SIB080304	<input type="checkbox"/>	Solid Aluminium														(only for 4" and 5")	81
SIB080306	<input type="checkbox"/>	Soft roll castor with aluminium rim wide version														(only for 4" and 5")	81
<b>REAR WHEELS</b>																	
SIB070001	<input type="radio"/>	Cross spoked														(pair) (only available with 22" & 24")	
SIB070002	<input type="radio"/>	Design wheels (straight spoked)														(pair) (not with 22")	
SIB070003	<input type="radio"/>	Lightweight wheels (straight spoked)														(pair) 22+24"	
SIB070004	<input type="checkbox"/>	Proton wheels														(pair) (only available with 20", 22" & 24")	526
SIB070009	<input type="checkbox"/>	Mountain bike wheels														(only with 24", mountain bike tyres & aluminium rim, black coated)	335
SIB070010	<input type="checkbox"/>	Additional mountain bike wheels (pair)														(only with 24" & mountain bike tyres.)	453
<b>TYRES</b>																	
(choose only one tyre type)																	
SIB070101	<input type="radio"/>	Right Run														(available in 20"; 22" and 24")	
SIB070102	<input type="radio"/>	Solid tyres														(only 22", not available with Safari wheel locks, lightweight or proton wheels)	
SIB070106	<input type="checkbox"/>	24" Two grip "down town"														(only 24")	95
SIB070107	<input type="radio"/>	Schwalbe One (Slight puncture resistance)														(only 24")	
SIB070104	<input type="checkbox"/>	24" Marathon plus evolution														(not 20" or 22"" - puncture resistant)	83

(1): available from seat width 28cm

										£		
<b>HANDRIMS</b>												
SIB070202	<input type="radio"/>	Aluminium silver anodised										
SIB070201	<input type="radio"/>	Aluminium silver powder coated										
SIB070204	<input type="radio"/>	Stainless steel 22" with thin diameter (15 mm)										
SIB070203	<input type="checkbox"/>	Coloured aluminium pushrim. colour code: .....								<i>not with lightweight wheel (5140)</i>	60	
SIB070205	<input type="checkbox"/>	Titanium								<i>(not with 20" &amp; 22" wheels)</i>	186	
SIB070206	<input type="checkbox"/>	Titanium clear powder coated								<i>(not with 20" &amp; 22" wheels)</i>	186	
SIB070207	<input type="checkbox"/>	Handrims, Supergrip ®								<i>(only 24" wheels and not available with lightweight wheels)</i>	222	
SIB070208	<input type="checkbox"/>	Handrims, Maxgripp ®								<i>(not with solid tyres or 22" &amp; 24" wheels)</i>	222	
		Hand rim mounting	<input type="radio"/>	Standard = 17mm	<input type="radio"/>	Wide = 27mm	<input type="radio"/>	Close = 7mm				
SIB070250	<input type="checkbox"/>	Handrim cover								<i>(only 22" and 24")</i>	90	
<b>WHEEL CAMBER</b> <i>(choose only one option)</i>												
	<input type="radio"/>	0°		<input type="radio"/>	3°		<input type="radio"/>	6°		<input type="radio"/>	9°	
<b>Spoke guards Please refer to the brochure and provide number/description</b>												
	<input type="checkbox"/>	Spoke guards	Number			Description					122	
Please consult the following page to choose your selection or to order a copy of our brochure please call 0845 605 66 88 or e-mail literaturerequests@sunmed.co.uk You can also view the brochure online by visiting <a href="http://www.sunrisemedical.com">www.sunrisemedical.com</a> and navigating to Quickie Simba. You will find the brochure under Multimedia & Downloads												
<b>WHEEL LOCKS</b> <i>(choose only one option)</i>												
SIB060001	<input type="radio"/>	Standard wheel lock										
SIB060002	<input type="checkbox"/>	Knee lever wheel lock									57	
SIB060003	<input type="checkbox"/>	Compact wheel lock								<i>(only available on straight frame)</i>	<i>(only available on straight frame)</i>	44
SIB060013	<input type="checkbox"/>	Safari wheel lock (wheel lock integrated into side guard - must pick side guard)								<i>(not with solid tyres)</i>		
SIB060014	<input type="checkbox"/>	Attendant wheel lock with Safari wheel lock (wheel lock integrated into side guard - must pick side guard)									138	
<b>Wheel lock accessories</b>												
SIB060010	<input type="checkbox"/>	Extension for knee lever wheel lock, slip-on, swing-away								<i>(only on 6008)</i>	42	
<b>ACCESSORIES</b>												
SIB090000	<input checked="" type="checkbox"/>	Tool kit										
SIB090024	<input type="checkbox"/>	High pressure pump									80	
SIB090025	<input type="checkbox"/>	Air pump									11	
SIB090030	<input type="checkbox"/>	Back pack									59	
SIB090020	<input type="checkbox"/>	Net back bag									25	
SIB090016	<input type="checkbox"/>	Impact guard								<i>(not with platform footplates highmounted)</i>	62	
SIB090019	<input type="checkbox"/>	Bag caddy								<i>(not with platform footplates highmounted)</i>	59	
SIB090026	<input type="checkbox"/>	Mobile phone holder									18	
<b>COLOURS</b>												
		Frame	Handrim (1)	Hub/rim (2)		Frame	Handrim (1)	Hub/rim (2)				
			£60	£171			£60	£171				
01	White RAL 9010	<input type="radio"/>	<input type="checkbox"/>	<input type="checkbox"/>	21	Red Ruby	<input type="radio"/>	<input type="checkbox"/>	<input type="checkbox"/>			
02	Brilliant Silver	<input type="radio"/>	<input type="checkbox"/>	<input type="checkbox"/>	22	Brilliant Red	<input type="radio"/>	<input type="checkbox"/>	<input type="checkbox"/>			
03	<b>Matt Silver</b>	<input type="radio"/>	<input type="checkbox"/>	<input type="checkbox"/>	23	<b>Matt Red</b>	<input type="radio"/>	<input type="checkbox"/>	<input type="checkbox"/>			
04	Silver	<input type="radio"/>	<input type="checkbox"/>	<input type="checkbox"/>	26	Silver texture	<input type="radio"/>	<input type="checkbox"/>	<input type="checkbox"/>			
06	Sun Yellow	<input type="radio"/>	<input type="checkbox"/>	<input type="checkbox"/>	27	Graphite metallic	<input type="radio"/>	<input type="checkbox"/>	<input type="checkbox"/>			
07	Brilliant Lime	<input type="radio"/>	<input type="checkbox"/>	<input type="checkbox"/>	28	Platinum metallic	<input type="radio"/>	<input type="checkbox"/>	<input type="checkbox"/>			
08	<b>Matt Lime</b>	<input type="radio"/>	<input type="checkbox"/>	<input type="checkbox"/>	29	Black	<input type="radio"/>	<input type="checkbox"/>	<input type="checkbox"/>			
14	Blue	<input type="radio"/>	<input type="checkbox"/>	<input type="checkbox"/>	31	<b>Matt Black</b>	<input type="radio"/>	<input type="checkbox"/>	<input type="checkbox"/>			
15	Brilliant Marine	<input type="radio"/>	<input type="checkbox"/>	<input type="checkbox"/>	32	Signal White	<input type="radio"/>	<input type="checkbox"/>	<input type="checkbox"/>			
16	<b>Matt Marine</b>	<input type="radio"/>	<input type="checkbox"/>	<input type="checkbox"/>	33	Pink	<input type="radio"/>	<input type="checkbox"/>	<input type="checkbox"/>			
19	Brilliant Purple	<input type="radio"/>	<input type="checkbox"/>	<input type="checkbox"/>	34	Dark Chocolate Metallic	<input type="radio"/>	<input type="checkbox"/>	<input type="checkbox"/>			
20	<b>Matt Purple</b>	<input type="radio"/>	<input type="checkbox"/>	<input type="checkbox"/>	35	Skyblue	<input type="radio"/>	<input type="checkbox"/>	<input type="checkbox"/>			
40	Kiwi	<input type="radio"/>	<input type="checkbox"/>	<input type="checkbox"/>	36	Cyan-Metallic	<input type="radio"/>	<input type="checkbox"/>	<input type="checkbox"/>			
41	Flamingo Glitter	<input type="radio"/>	<input type="checkbox"/>	<input type="checkbox"/>	37	Mars Red (Orange)	<input type="radio"/>	<input type="checkbox"/>	<input type="checkbox"/>			
42	<b>Matt Anthracite</b>	<input type="radio"/>	<input type="checkbox"/>	<input type="checkbox"/>	39	Cappuccino	<input type="radio"/>	<input type="checkbox"/>	<input type="checkbox"/>			
43	Azure Blue	<input type="radio"/>	<input type="checkbox"/>	<input type="checkbox"/>								
<b>Upholstery colour</b> <i>(vented only in black)</i>												
	Black	<input type="radio"/>	Purple	<input type="radio"/>	Dark blue	<input type="radio"/>						
	Red	<input type="radio"/>	Blue	<input type="radio"/>	Light Pink	<input type="radio"/>						
<b>Style Package (coloured forks)</b> <i>(vented only in black)</i>												
SIB100502	<input type="radio"/>	Black										
SIB100503	<input type="radio"/>	Silver										
SIB100501	<input type="radio"/>	Orange										
<i>(1) Only available on Universal and Design wheels</i>												
<i>(2) Only available on Universal wheels</i>												
<b>Simba - Base Price</b>										<b>£2,390</b>		
Option price										£		
<b>Total Price</b>										£		

**Please follow measuring method:**

The following method is recommended on the basis of extensive practical experience. Deviations are possible in individual instances

**Seat width:**

**a) For the user:**

Allow space between side guard and between hip on each side of the chair (approx. 1 - 2 cm altogether).

**b) On the wheelchair:**

From inside side guard to inside side guard

**Seat depth:**

**a) For the user:**

When sitting upright: leave space for 2-3 fingers between front edge of seat upholstery and back of knee (approx. 3-6 cm). Care must be taken with adjustable upholstery.

**b) On the wheelchair:**

From back tube to front of seat upholstery.

**Back height:**

**a) For the user:**

Measured from the seat, including cushion, to be **no more** than one finger (1 - 2 cm) below the lower shoulder blade. **Important!** The back height depends on the degree of disability.

**b) On the wheelchair:**

From seat tube to upper edge of backrest upholstery. **Note:** The user's ability to sit upright has a major influence on the back height and it can therefore differ considerably.

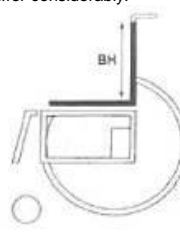
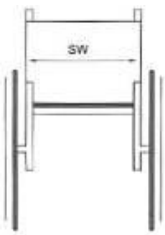
**Lower leg length:**

**a) For the user:**

With legs angled at right angles, from back of knee to bottom of shoe sole. **Remember: to deduct the cushion height when providing the measurement**

**b) On the wheelchair:**

From front of seat to top of footrest.



<b>Overall width with:</b>	20"	22"	24"
For 0° camber:	SW+16cm	SW+16cm	SW+16cm
For 3° camber:	SW+20cm	SW+20cm	SW+21cm
For 6° camber:	SW+26cm	SW+26cm	SW+27cm
For 9° camber:	SW+31cm	SW+32cm	SW+33cm

each with handrim distance std

Please note that the matrix is based on a std configuration **Std chair 30 x 32 cm, 6° camber, 6 cm CoG**  
**Seat angle of 6°**  
 All changes in the configuration might change the seat heights. Manufacturing tolerances of +/- 1 cm

**NOTES:**  
 Max seat height difference rear to front is 13 cm.  
 No negative seat angle is possible  
**Please note that the matrix is based on a standard configuration**

**Overall width:**

Max overall height: 88 cm  
 Max overall length: 85 cm

**Chair specification:**

Long frame; seat depth: 42cm; COG: 2cm;  
 24" wheel and 6" front castor  
 Short frame; seat depth: 24cm; COG: 10cm;  
 20" wheel and 4" front castor

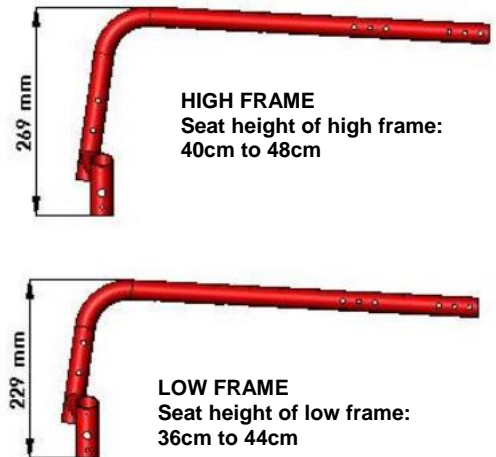
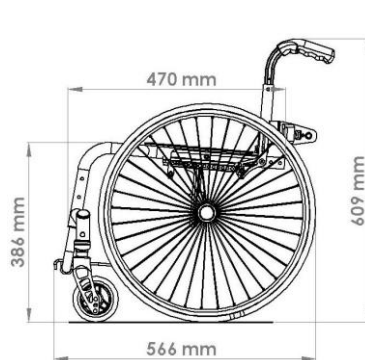
**Weights:**

Minimum weight:  
 approx from 8 kg

**Maximum measurements**

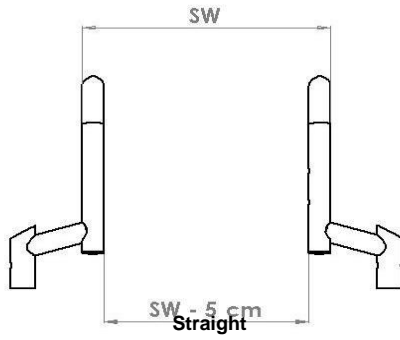
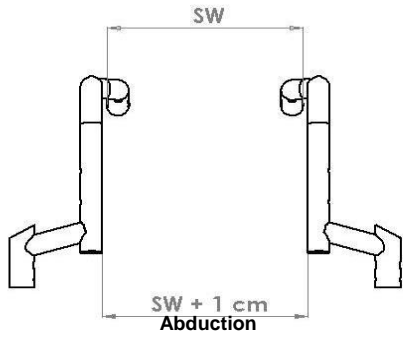


**Minimum measurements**

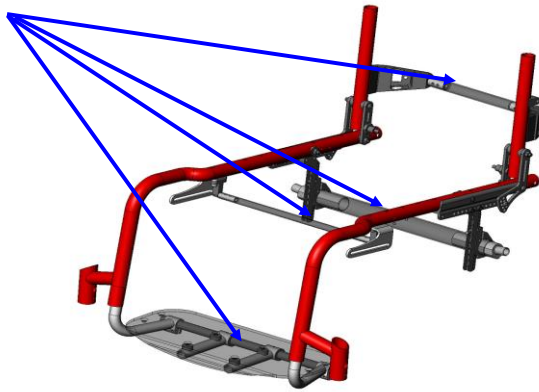


### Frame abduction table

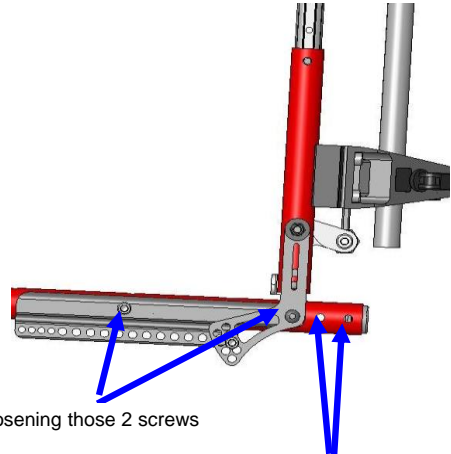
Seat width	22	24	26	28	30	32	34	36	38
Frame type	cm	cm	cm	cm	cm	cm	cm	cm	cm
Straight				23	25	27	29	31	33
Abduction	23	25	27	29	31	33	35	37	39



Seat width growth of 2 cm without new parts

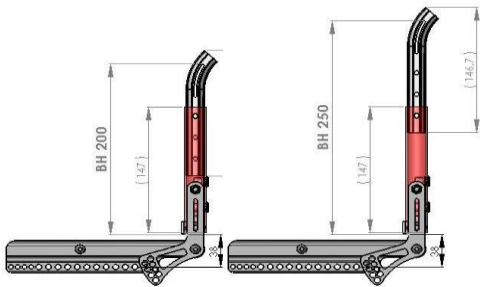


Seat depth growth of 4 cm without new parts



By loosening those 2 screws

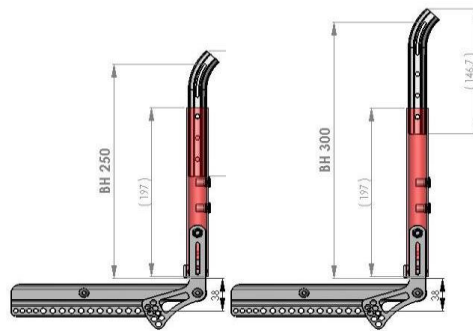
Backrest height: 20 – 25 cm range



Short Backrest frame & short push handle tubes

Backrest height: 25 – 30cm range

2 new seat depths without using new parts. In Total additional 4cm



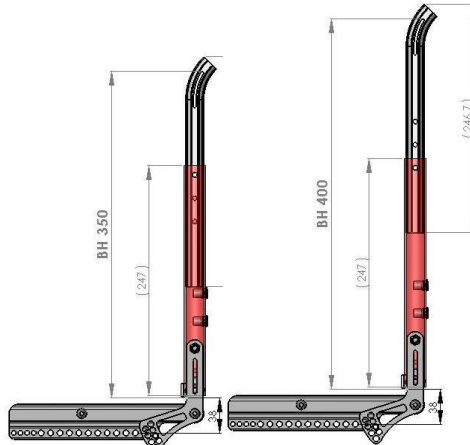
Medium Backrest frame & short push handle tubes

Backrest height: 30 – 35 cm range



Medium Backrest frame & medium push handle tubes

Backrest height: 35 – 40cm range



Long Backrest frame & long push handle tubes



**5000 - Princess Life**



**5001- Dancing Bear**



**5002 - Jungle Fever**



**5004 - Happy Lions**



**5005 - Water World**



**5006- Randolf**



**5007 - Monkeys**



**5008 - Pirates**



**5015 - Feather**



**5025 - Oriental**



**5012 - Racing**



**5014 - Dirt Race**



**5003 - Superhero**



**5018 - Graffiti**



**5017 - Chrome Wheel**



**5016 - Hot Wheels**



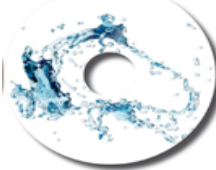
**5023 - Basketball**



**5024 - Basketball 2**



**5013 - Pool**



**5022 - Flying Water**



**5021 - Space**



**5020 - Silk**



**5011 - Abstract**



**5019 - Creative**



**5009 - Tiger**



**5010 - Zebra**



**5135 - Cheese**



**5129 - Bibbo**



**5134 - Galactica**



**5127 - Rotation**



**5130 - Fantasy**



**5128 - Graphic**