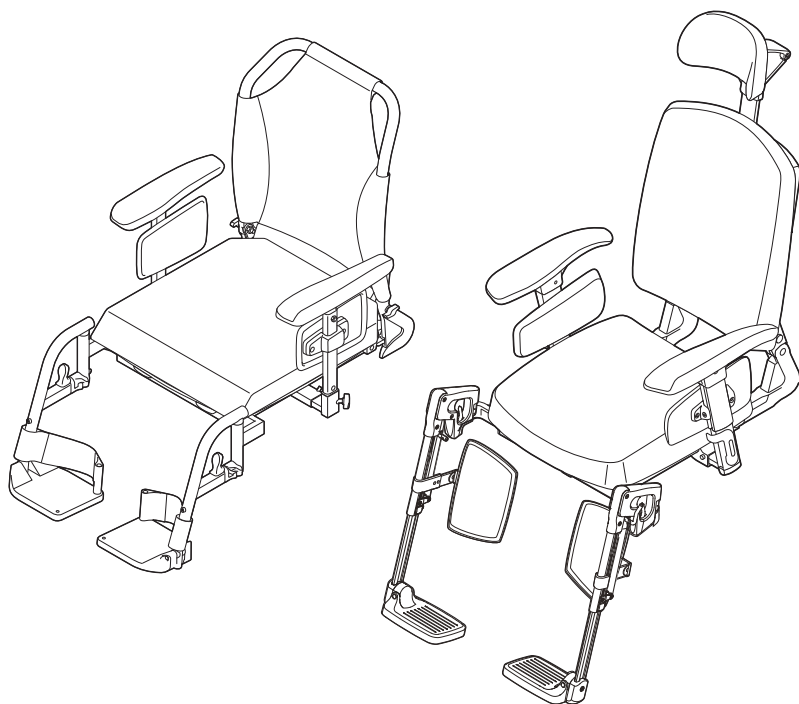


## Seating system



# Sedeo Lite / Pro

USER MANUAL

EN

# SEDEO

1011651G



---

<b>Sedeo Lite .....</b>	<b>4</b>
<b>Sedeo Pro.....</b>	<b>31</b>

# Sedeo Lite

© 2016 Sunrise Medical

All rights reserved.

The information provided herein may not be reproduced and/or published in any form, by print, photoprint, microfilm or any other means whatsoever (electronically or mechanically) without the prior written authorization of Sunrise Medical.

The information provided is based on general data concerning the construction known at the time of the publication of this manual. Sunrise Medical executes a policy of continuous improvement and reserves the right to changes and modifications.

The information provided is valid for the product in its standard version. Sunrise Medical can therefore not be held liable for any damage resulting from specifications of the product deviating from the standard configuration. Illustrations contained in the manual may deviate from the configuration of your product.

The information made available has been prepared with all possible diligence, but Sunrise Medical cannot be held liable for any errors contained in the information or the consequences thereof.

Sunrise Medical accepts no liability for loss resulting from work executed by third parties.

Names, trade names, trademarks etc. used by Sunrise Medical may not, as per the legislation concerning the protection of trade names, be considered as being available.

## Table of contents



1	Introduction.....	6
1.1	This manual	6
1.2	For further information	6
1.3	Symbols used in this manual	6
2	Safety .....	7
2.1	Temperature	7
3	General description .....	8
3.1	Description of Sedeo Lite	8
4	Use.....	9
4.1	Adjustment options	9
4.2	Getting in and out of the wheelchair (forward transfer)	10
4.3	Getting in and out of the wheelchair (sideways transfer)	10
4.4	Options / accessories	11
5	Settings .....	12
5.1	Seat depth	12
5.2	Seat width	12
5.3	Backrest angle	13
5.4	Standard legrest	13
5.5	Armrest assembly	14
5.6	Adjusting the centre of gravity	16
5.7	Headrest	16
5.8	Fixed / swing away controller bracket	18
5.9	Attaching the lap strap	19
6	Transport .....	20
6.1	Reducing the seating system in size for transportation purposes	20
6.6	Setting up the seating system following transportation	22
7	Maintenance.....	25
7.1	Cleaning the upholstery	25
8	Troubleshooting.....	26
9	Technical specifications.....	27
9.1	CE declaration and requirements	27
9.2	Technical information	27
10	Labelling.....	29
10.1	Indications on the seating system	29
11	Provisions of warranty.....	30

# 1 Introduction

## 1.1 This manual

This user manual will help you to use and maintain your seating system safely. This user manual is a supplement to Sunrise Medical's general wheelchair user manual.

Where necessary this user manual refers to other manuals as shown below:

-  Wheelchair: Refers to the general wheelchair user manual.
-  Controller: Refers to the user manual for the controller (only applicable for power wheelchairs).

**Read this user manual and the other user manuals referred to carefully before using the product.** If one of the user manuals was not included with your wheelchair, please

contact your dealer immediately.

In addition to this user manual, there is also a service manual for qualified specialists.

**If you are visually impaired, this document can be viewed in PDF format at [www.SunriseMedical.eu](http://www.SunriseMedical.eu) or alternatively is available on request in large text.**

## 1.2 For further information

Please contact your local, authorised Sunrise Medical dealer if you have any questions regarding the use, maintenance or safety of your wheelchair. In case there is no authorised dealer in your area or you have any questions, contact Sunrise Medical either in writing or by telephone.

For information about product safety notices and product recalls, go to [www.SunriseMedical.eu](http://www.SunriseMedical.eu)

## 1.3 Symbols used in this manual

### Note!

Pointing out possible problems to the user.

### ⚠ Caution!

Advice for the user to prevent damage to the product.

### ⚠ Warning!

Warnings for the user to prevent personal injury.

Not following these instructions may result in physical injury, damage to the product or damage to the environment!

### Symbols in illustrations

Each illustration includes icons and numbering to indicate what needs to be done and in which order.



Loosen by one turn with wing-nut



Tighten by one turn with wing-nut



Loosen by one turn with torx



Tighten by one turn with torx



Step 1, 2 etc.

An arrow, as part of an illustration, indicates that the component in question moves or needs to be moved in the direction indicated.

## 2 Safety

### **⚠ Warning!**

Always follow the instructions given next to the warning symbols! Failure to follow these instructions may result in physical injury, damage to the wheelchair or damage to the environment. Where possible the warning symbols have been placed in the applicable paragraphs.

Be careful when swing away/flip up parts. Contact with moving parts should be avoided.

### **⚠ Caution!**

Parts of the wheelchair that are intended, for service or repair, to be removed without the use of tools (e.g. armrest, legrest) can have an adverse effect on the support of the user if they are missing or not placed back in the right position.

### 2.1 Temperature

#### **⚠ Warning!**

Avoid exposing the wheelchair to direct sunlight for extended periods of time. Some parts of the wheelchair, such as the seat, the backrest and the armrests assembly, complete, can become hot if exposed to the sun for too long. This may cause burns or skin irritation.

## 3 General description

### 3.1 Description of Sedeo Lite

The wheelchair is fitted with a Sedeo Lite seating system. The Sedeo Lite seating system provides good support for the head, torso, arms and legs. Optimal body support ensures maximum independence for the wheelchair user.

The wheelchair must be adjusted by a qualified specialist. Incorrect settings may have negative consequences for seating posture.

A number of Sedeo Pro options are also available for use with the Sedeo Lite. Ask your dealer for more information or consult our website at [www.SunriseMedical.eu](http://www.SunriseMedical.eu)

**⚠ Caution!**

Please study this manual carefully before using the seating system.



## 4 Use

### 4.1 Adjustment options

#### Manually elevating legrest knee angle

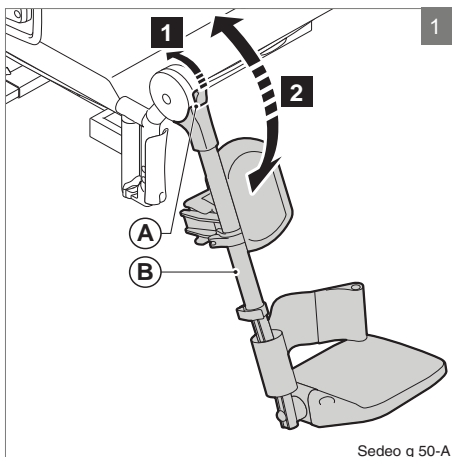
**Note!**

Legrests can be adjusted individually.

1. Pull (A) towards you.
2. (B) moves upwards. Alternatively, push (B) downwards.

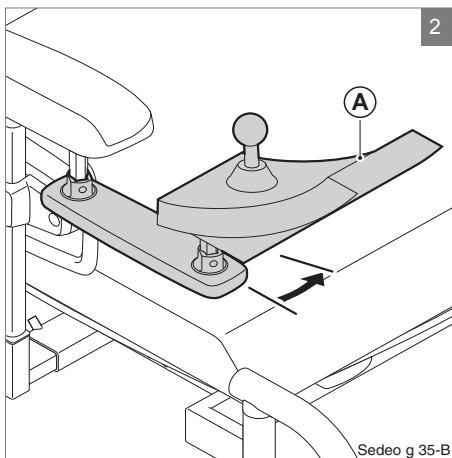
**Note!**

Keep (A) pressed.



#### Moving the controller bracket inwards

1. Push (A) inwards until hearing a click.

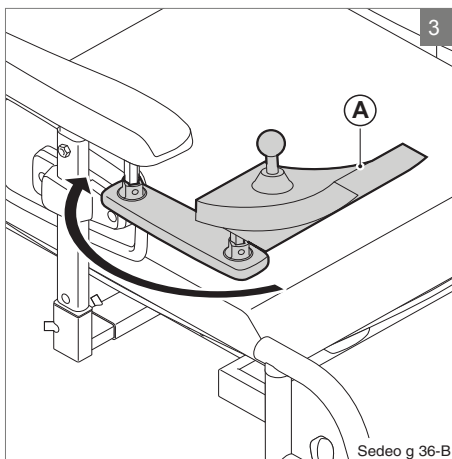


#### Swing away the controller bracket

1. Push (A) outwards until hearing a click.

**Note!**

Swinging back the controller bracket will allow you to pull up close to a table. Full operation of the controller remains possible.



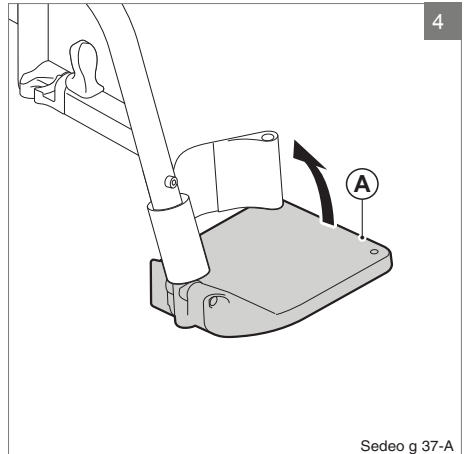
## 4.2 Getting in and out of the wheelchair (forward transfer)

### ⚠ Warning!

Do not stand on the footplates. Putting your full weight on the footplates may lead to wheelchair damage and to hazardous situations, including the wheelchair tipping up.

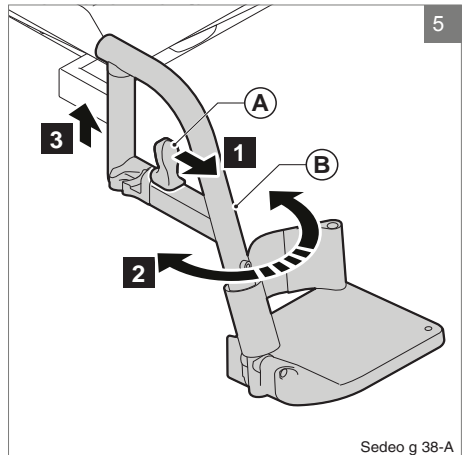
### Flip up the footplate.

1. Flip up (A).



### Swinging back and/or removing the standard legrest

1. Push (A) forwards and keep (A) pressed.
2. Swing (B) to the side.
3. Remove (B).



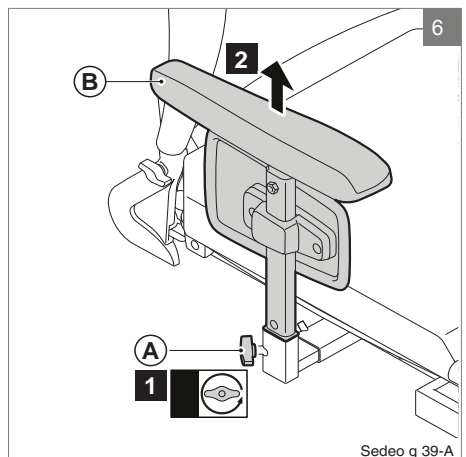
## 4.3 Getting in and out of the wheelchair (sideways transfer)

### Note!

Some versions of the controller will need to be swung aside.

### Removing the armrest assembly

1. Loosen (A) by two turns.
2. Remove (B).



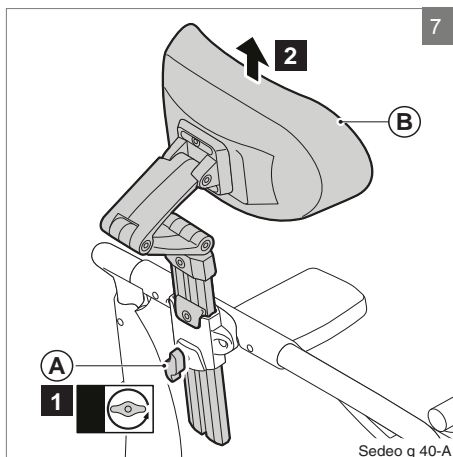
## 4.4 Options / accessories

### Removing/positioning the headrest

1. Loosen (A) by two turns.
2. Slide (B) up or down.
3. When replacing the headrest, tighten (A) by two turns.

**Note!**

Always slide the headrest until it comes to a stop in the bracket.



## 5 Settings

The average wheelchair user does not exist. This is why Sunrise Medical seating systems can be adjusted according to the specific needs of the user.

In this, we make a distinction between seating system settings and seating system adjustment options. Settings are carried out only once and must be executed by qualified specialists, unless explicitly stated otherwise. Adjustment options can be carried out by the user. These adjustment options do not require the use of tools.

### 5.1 Seat depth

#### Backrest adjustment

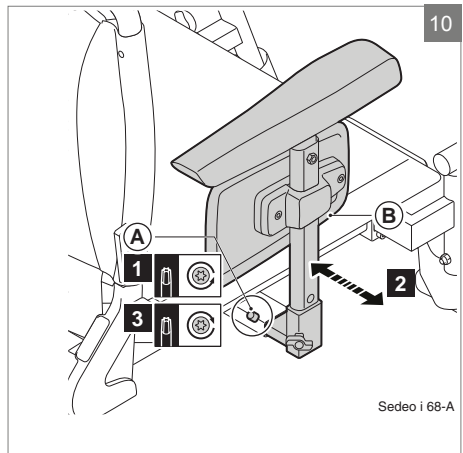
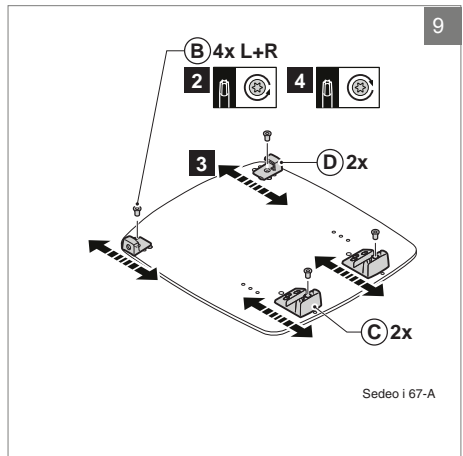
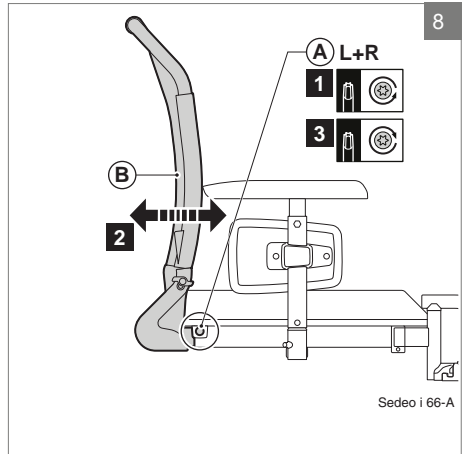
1. Unscrew (A) completely and remove (A).
2. Adjust (B) to the desired position.
3. Replace (A) and tighten (A).

#### Seat adjustment

1. Remove the seat (see "Use - Reducing the seating system in size for transportation purposes").
2. Remove the screws (B).
3. Move (C) and (D).
4. Tighten the screws (B).
5. Replace the seat (see "Use - Setting up the seating system following transportation").

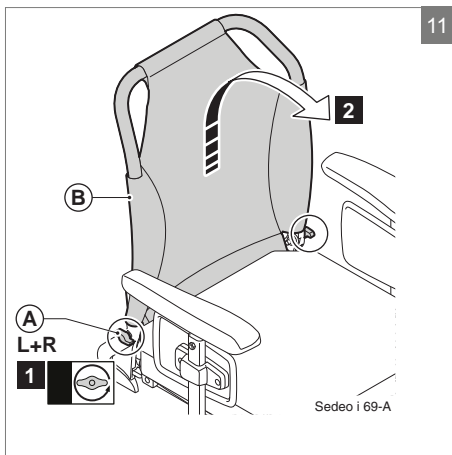
### 5.2 Seat width

1. Loosen (A) by one turn.
2. Slide (B) into the desired position.
3. Tighten (A).

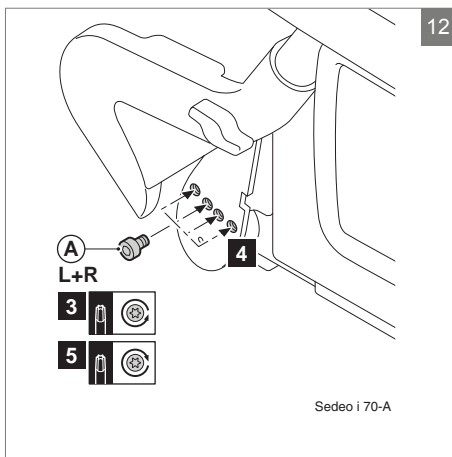


### 5.3 Backrest angle

1. Loosen (A) by two turns.
2. Lift (B) and push (B) forwards and downwards.



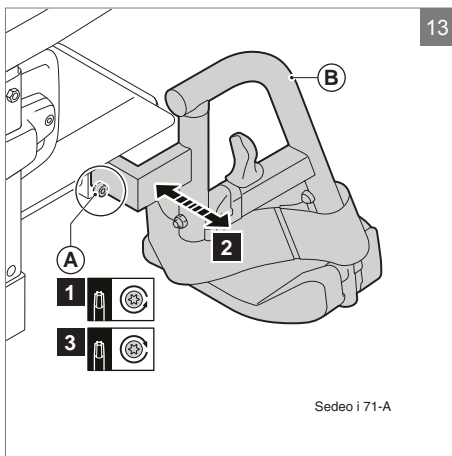
3. Loosen (A) completely.
4. Move (A) to the desired position.
5. Tighten (A) firmly.



### 5.4 Standard legrest

#### Legrest width

1. Loosen (A) by one turn.
2. Slide (B) into the desired position.
3. Tighten (A).

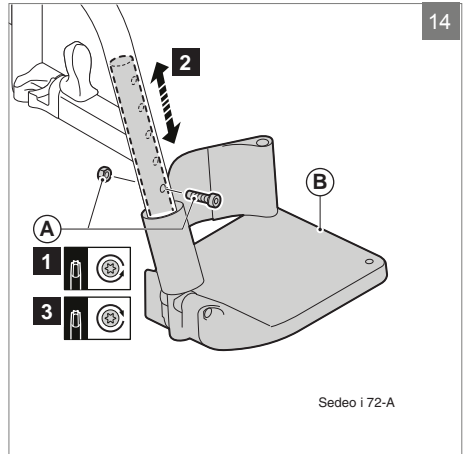


**Standard legrest lower leg length**

1. Unscrew (A) completely and remove (A).
2. Slide (B) into the desired position.
3. Replace (A) and tighten (A).

**Note!**

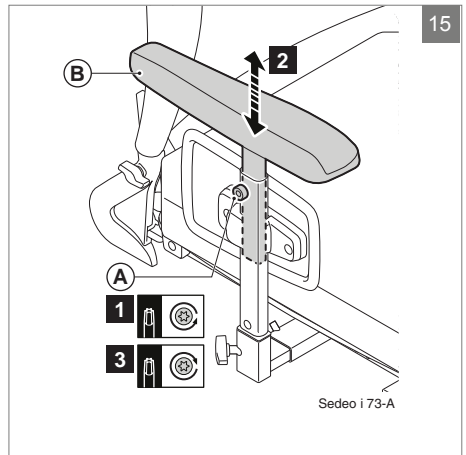
Ensure that there is sufficient free space under (B) for the wheelchair to drive over obstacles.

**5.5 Armrest assembly****Armrest height**

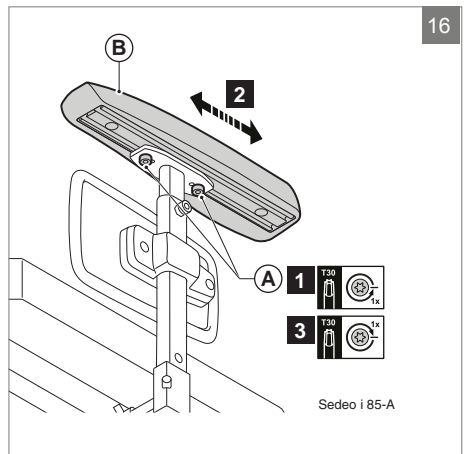
1. Loosen (A) by one turn.
2. Adjust (B) to the desired position.
3. Tighten (A).

**Note!**

Ensure that the arms are supported well, without the shoulders being pushed upwards.

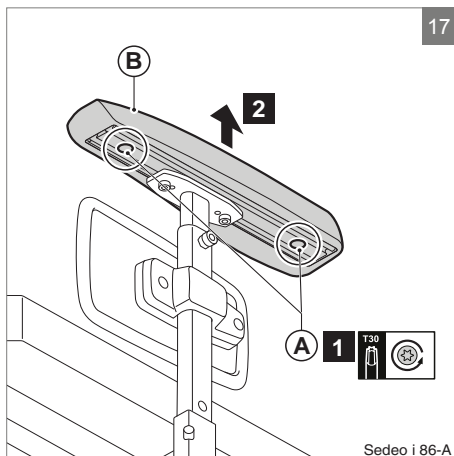
**Armrest depth**

1. Loosen (A) by one turn.
2. Slide (B) into the desired position.
3. Tighten (A).

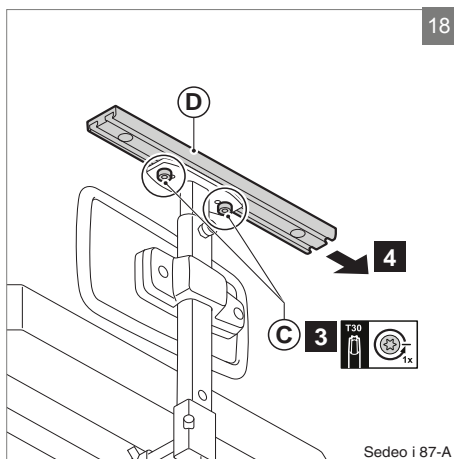


**Armrest width**

1. Loosen (A).
2. Remove (B).



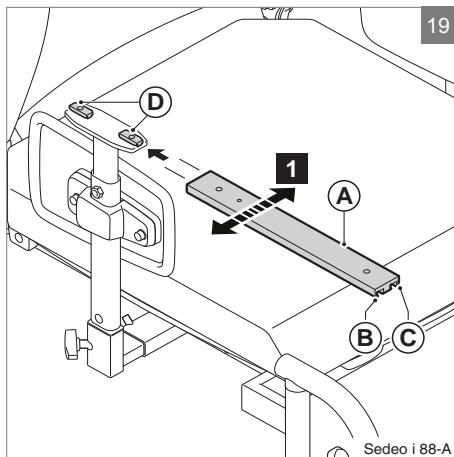
3. Loosen (C) by one turn.
4. Remove (D).

**To position:**

1. Slide (A) together with (B) or (C) onto (D).

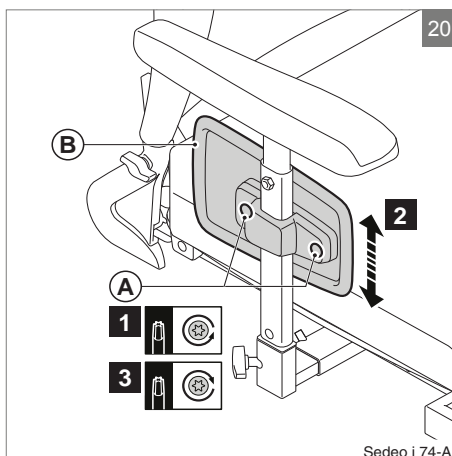
**Note!**

Ensure that the ridge on the terminal block falls into the opening.



### Side panel height

1. Loosen 2x (A) by one turn.
2. Adjust (B) to the desired position.
3. Tighten 2x (A).

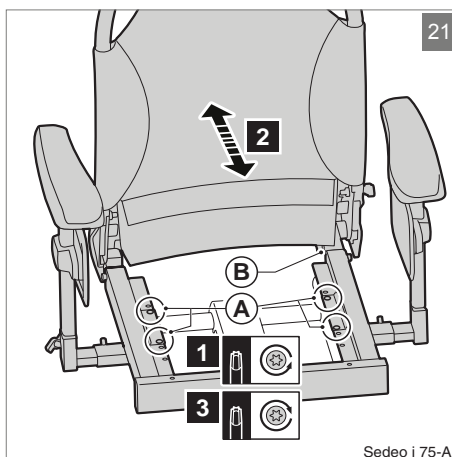


## 5.6 Adjusting the centre of gravity

### ⚠ Warning!

The stability of the wheelchair is influenced by the adjustment of the seating system's centre of gravity. Such adjustments should be made by professionals only.

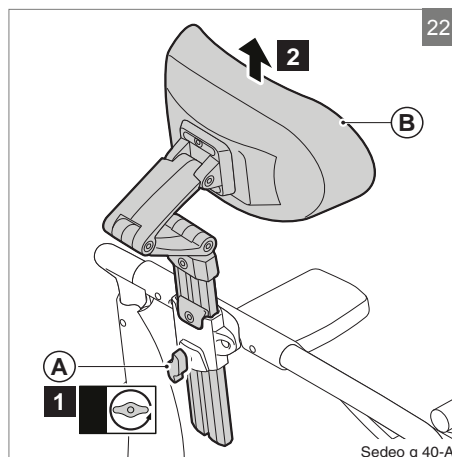
1. Loosen 4x (A) by two turns.
2. Slide (B) forwards or backwards.
3. Tighten (A).



## 5.7 Headrest

### Headrest height

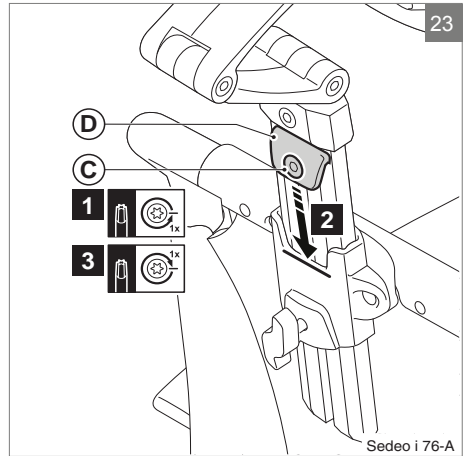
1. Loosen (A) by two turns.
2. Slide (B) into the desired position.
3. Tighten (A) by two turns.





### Adjusting the memory setting

1. Loosen (C) by one turn.
2. Slide (D) as far down as possible.
3. Tighten (C).

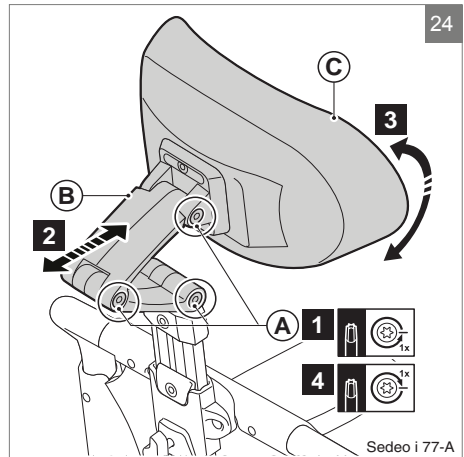


### Headrest position

1. Loosen (A) by one turn.
2. Adjust (B) to the desired position.
3. Tighten (A).

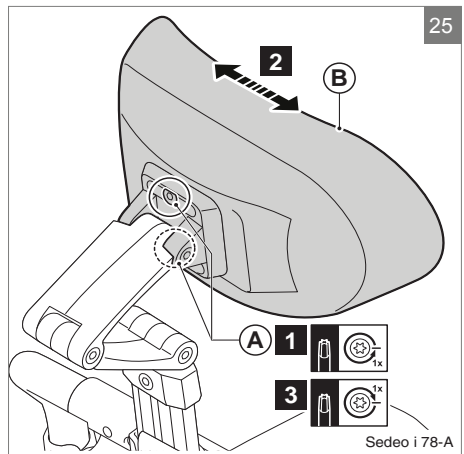
#### Note!

Correct the headrest height and tilt the headrest cushion as required.



### Headrest cushion width

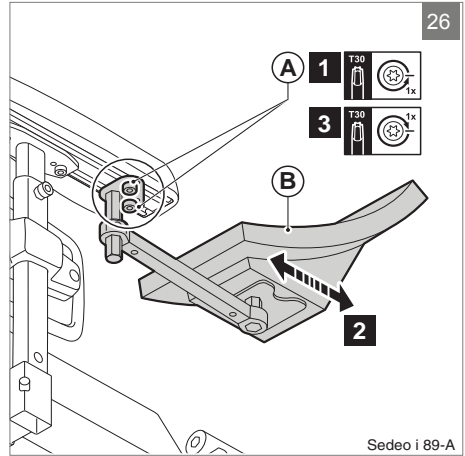
1. Loosen (A) by one turn.
2. Slide (B) into the desired position.
3. Tighten (A).



## 5.8 Fixed / swing away controller bracket

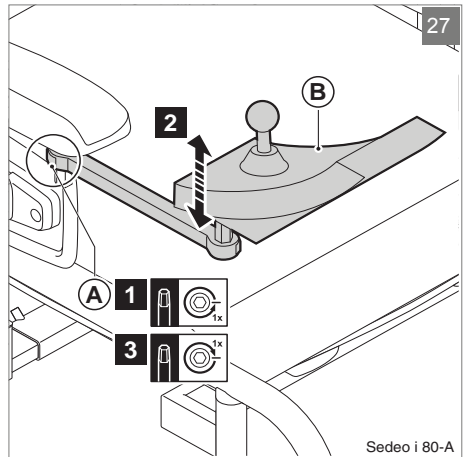
### Depth

1. Loosen (A) by one turn.
2. Slide (B) into the desired position.
3. Tighten (A).



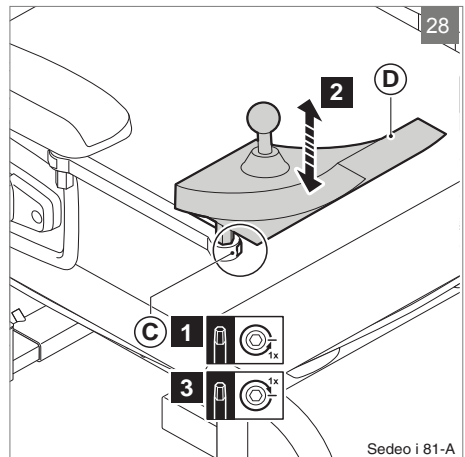
### Height (1)

1. Loosen (A) by one turn.
2. Slide (B) into the desired position.
3. Tighten (A).



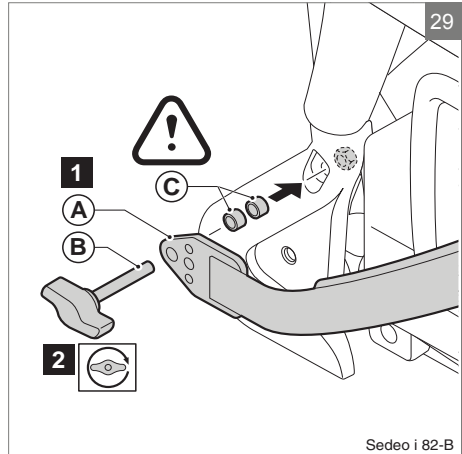
### Height (2)

1. Loosen (C) by one turn.
2. Slide (D) into the desired position.
3. Tighten (C).



## 5.9 Attaching the lap strap

1. Attach (A), using (B), to the frame
2. Fasten (B) with (C) to the frame



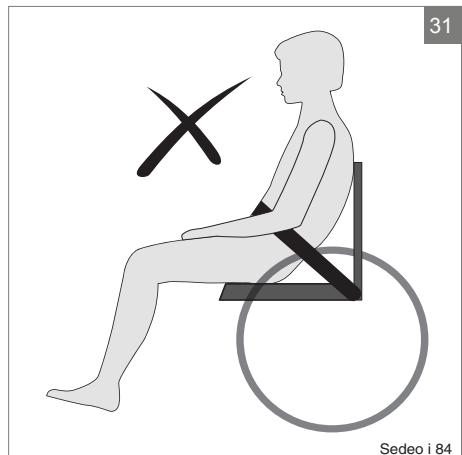
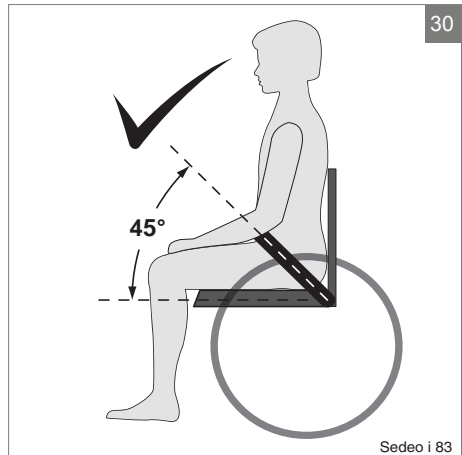
### ⚠ Warning!

Ensure that the lap strap is adjusted to the wheelchair user. The strap must fit snugly across the hips at an angle of approximately 45°.

Ensure that the strap is clean at all times and that the locking mechanism is working properly. The strap and the locking mechanism can be cleaned using a damp cloth.

If the strap is positioned above the hips and across the soft part of the user's belly, then this can result in seating posture being incorrect and the user slumping in the seat.

Never use the lap strap as a seatbelt when using transport.



## 6 Transport

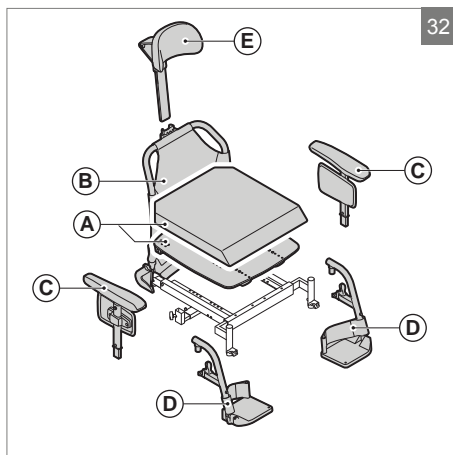
### 6.1 Reducing the seating system in size for transportation purposes

Parts that can easily be detached should be removed for transport (figure 32)

- A. Seat (0,5 kg)
- B. Backrest
- C. Armrest assembly (1,8 kg)
- D. Legrest (1,2 kg)
- E. Headrest (1,3 kg)

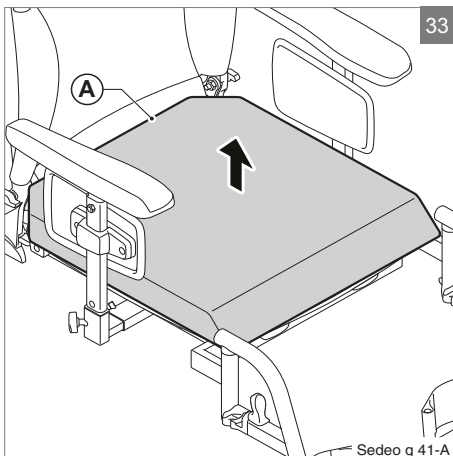
#### **⚠ Warning!**

The wheelchair can be reduced in size for transportation without a passenger. Any components of the seating system that can be detached easily should be removed. Store away such components safely so that they can not cause injury or damage, or become damaged themselves.

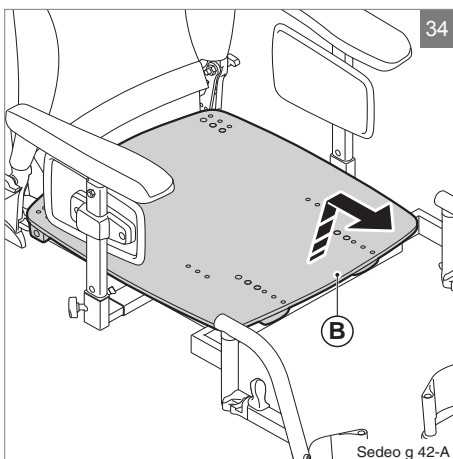


**Removing the seat (figures 33 and 34)**

1. Pull (A) loose from the board.



2. Pull (B) upwards and forwards.

**Folding the backrest fully forward (figure 35)**

1. Loosen (A) by two turns.

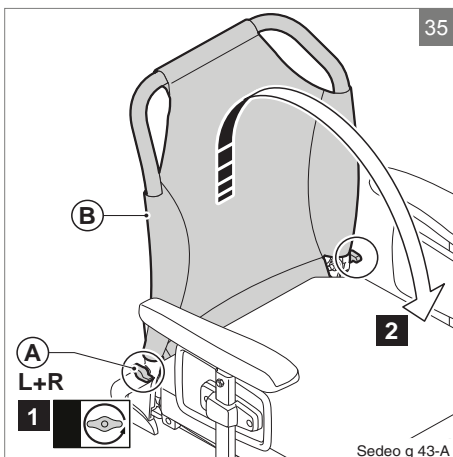
**Note!**

Do not remove (A).

2. Lift (B) and push (B) forwards and downwards.

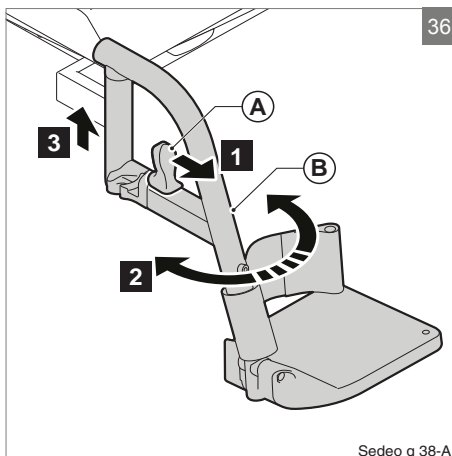
**Note!**

If necessary, first remove the armrest assemblies.



**Removing the standard legrests (figure36)**

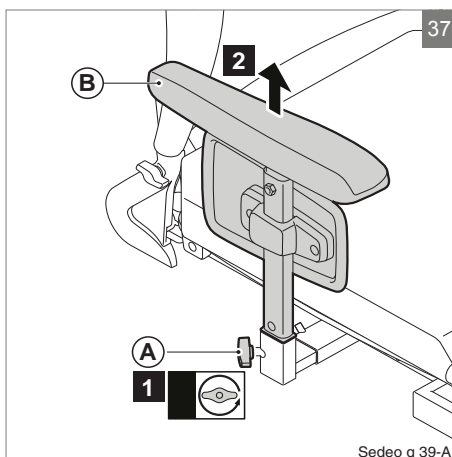
1. Push (A) forwards and keep (A) pressed.
2. Swing (B) to the side.
3. Remove (B).



Sedeo g 38-A

**Removing the armrest assembly (figure37)**

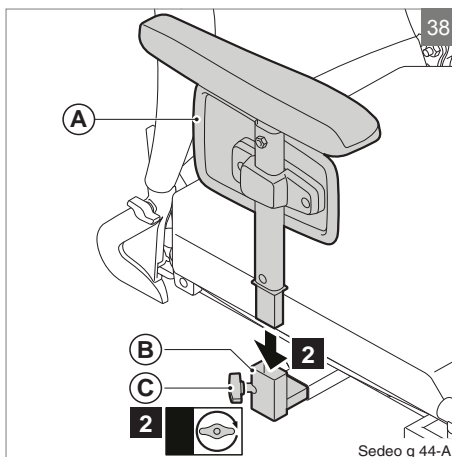
1. Loosen (A) by one turn.
2. Remove (B).



Sedeo g 39-A

**6.6 Setting up the seating system following transportation****Positioning the armrest assembly (figure38)**

1. Slide (A) onto (B).
2. Tighten (C).



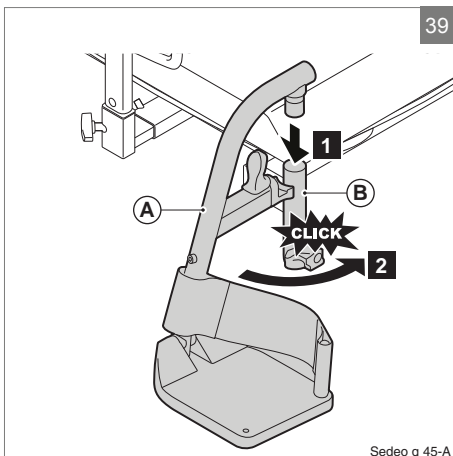
Sedeo g 44-A

**Positioning the standard legrest (figure39)**

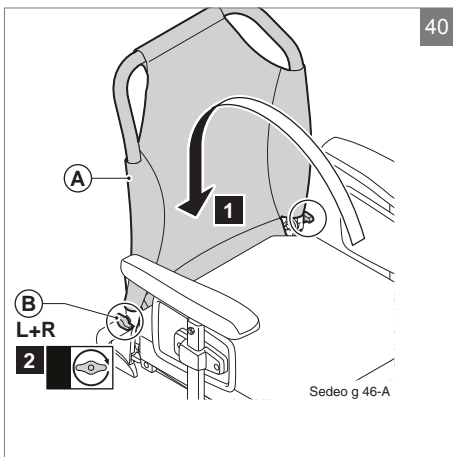
1. Slide (A) completely into (B).
2. Pivot (A) inwards until hearing a click.

**⚠ Warning!**

After hearing a click, the legrest is locked into place.

**Positioning the backrest for use (figure40)**

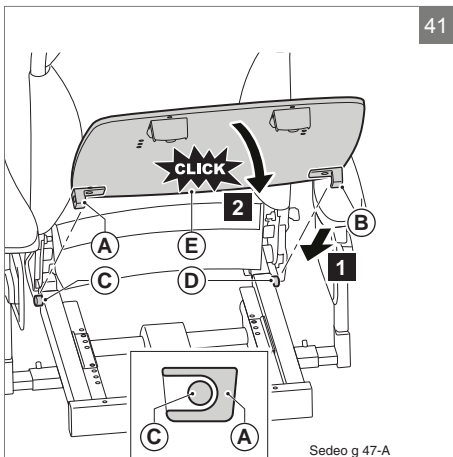
1. Tilt (A) backwards and push (A) down.
2. Tighten (B).

**Positioning the seat (figures 41 and 42)**

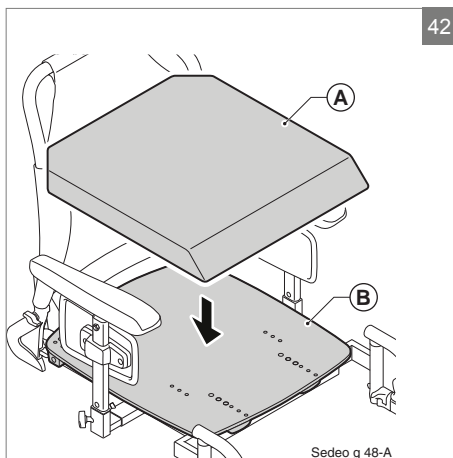
1. Slide (A) and (B) over (C) and (D).
2. Push (E) downwards.

**⚠ Caution!**

Ensure that (C) and (D) at the back of the seat hook under the bolt heads.



3. Position (A) on (B).





## 7 Maintenance

It is recommended that you have your wheelchair serviced by your dealer once a year or, in the case of intensive use, once every six months.

### 7.1 Cleaning the upholstery

Clean the upholstery using a damp cloth and household soap. Then rub dry using a soft, dry cloth.

#### **PU parts**

Clean the armrests, side cushions etc. using a damp cloth and household soap. Then dry the parts using a soft cloth.

#### **Seat and backrest cushion upholstery**

Follow the washing instructions on the covers (see figure 43).

#### **⚠ Warning!**

Do not use organic solvents such as thinner, benzine or white spirit.

Do not chemically clean the upholstery. Do not iron or spin-dry the upholstery.

43



Stoff / Material:  
100% Polyamid  
Skum / Foam:  
100% Polyurethane

Str./Size

45X45

## 8 Troubleshooting

If there is a problem with your seating system, contact your dealer.

## 9 Technical specifications

### 9.1 CE declaration and requirements



The product is in conformity with the provisions of the Medical Devices Directive and carries the CE mark.

The product also meets the following requirements and standards. This has been verified by independent test organizations.

1. EN 12183 (2009) Manual wheelchairs or EN 12184 (2009) Electrically powered wheelchairs.
2. ISO 7176-8 Requirements for impact, static and fatigue strength.
3. ISO 7176-9 Climatic tests for electric wheelchairs and scooters.
4. ISO 7176-16 Requirements for resistance to ignition of upholstered parts.
5. ISO 7176-19 Crash test.
6. EN-ISO 10993-5 (1999-11) Biological evaluation of medical devices.
7. EN 1021 1,2 Assessment of the ignitability of upholstered furniture. Ignition source: smouldering cigarette/match flame equivalent.

### 9.2 Technical information

Description	Unit	Values
<b>Seating system</b>		
User Weight	kg	136
Seat width	mm	400 - 510
Seat depth	mm	420 / 440 / 460 / 480 / 500
Point of gravity	mm	0 / 20 / 40 / 60
<b>Seat</b>		
Seat cushion depth position	mm	-20 / 0 / +20
<b>Backrest</b>		
Backrest height	mm	480
Backrest angle	°	92 / 97 / 102 / 107
<b>Armrest</b>		
Armrest pad width	mm	-20 / 0 per side
Armrest pad height	mm	170 - 290
Armrest pad depth	mm	80
<b>Standard legrest (set)</b>		
Lower leg length (with compressed seat cushion)	mm	360 - 460
Knee angle*	°	70
<b>Elevating legrest (set)</b>		
Lower leg length (with compressed seat cushion)	mm	360 - 530
Knee angle*	°	10 - 75
Ankle angle	°	0 - 180
Calf support width	mm	50
Calf support height	mm	250
Calf support depth	mm	50

Description	Unit	Values
Calf support angle (flexible)	°	0 - 25
<b>Headrest</b>		
Headrest height (memory)	mm	170
Headrest depth	mm	180
Headrest vertical angle	°	-45 - 45
<b>Controller bracket</b>		
Controller bracket height	mm	60
Controller bracket depth	mm	35
<b>Controller bracket swing away</b>		
Controller bracket height	mm	50
Controller bracket depth	mm	35
Controller position angle	°	0 - 45

\* = 0 ° legs straight ahead and 90 ° = legs in a right angle down

## 10 Labelling

### 10.1 Indications on the seating system

Markings used on the seating system (figure 44):

10. The wheelchair must not be lifted up by the armrests assembly, complete and/or legrests.
11. The stability of the wheelchair is influenced by the adjustment of the seating system's centre of gravity. Such adjustments should be made by professionals only.

1




2



## 11 Provisions of warranty

The provisions of warranty and liability applicable to the seating system are identical to those incorporated in the wheelchair manual.

( Wheelchair)

# Sedeo Pro

© 2016 Sunrise Medical

All rights reserved.

The information provided herein may not be reproduced and/or published in any form, by print, photoprint, microfilm or any other means whatsoever (electronically or mechanically) without the prior written authorization of Sunrise Medical.

The information provided is based on general data concerning the construction known at the time of the publication of this manual. Sunrise Medical executes a policy of continuous improvement and reserves the right to changes and modifications.

The information provided is valid for the product in its standard version. Sunrise Medical can therefore not be held liable for any damage resulting from specifications of the product deviating from the standard configuration. Illustrations contained in the manual may deviate from the configuration of your product.

The information made available has been prepared with all possible diligence, but Sunrise Medical cannot be held liable for any errors contained in the information or the consequences thereof.

Sunrise Medical accepts no liability for loss resulting from work executed by third parties.

Names, trade names, trademarks etc. used by Sunrise Medical may not, as per the legislation concerning the protection of trade names, be considered as being available.

## Table of contents

1	Introduction.....	34
	1.1 This manual	34
	1.2 For further information	34
	1.3 Symbols used in this manual	34
2	Safety .....	35
	2.1 Temperature	35
3	General description .....	36
	3.1 Sedeo Pro product description	36
4	Use.....	37
	4.1 Adjustment of the seating system (by the user/attendant)	37
	4.2 Getting into and out of the wheelchair (forward transfer)	40
	4.3 Getting into and out of the wheelchair (sideways transfer)	41
	4.4 Options / accessories	41
5	Settings .....	43
	5.1 Seat depth	43
	5.2 Seat width	43
	5.3 Backrest angle	44
	5.4 Backrest height	44
	5.5 Standard and manually elevating legrest	44
	5.6 Footplate (for small / large seat widths)	45
	5.7 Manually elevating legrest	46
	5.8 Central legrest	46
	5.9 Electrically elevating central legrest	47
	5.10 Armrest assembly	49
	5.11 Adjusting the centre of gravity	53
	5.12 Headrest	53
	5.13 Fixed / swing-away controller bracket	54
	5.14 Abduction support	55
	5.15 Backrest with adjustable straps - flexible	56
	5.16 Thoracic support	56
	5.17 Thigh support	57
	5.18 Attaching the lap strap	58
	5.19 Third party backrest	59
6	Transport .....	60
	6.1 Reducing the seating system in size for transportation purposes	60
	6.7 Setting up the seating system following transportation	62
7	Maintenance.....	64
	7.1 Cleaning the upholstery	64
8	Troubleshooting.....	65



---



9	Technical specifications.....	66
9.1	CE declaration and requirements	66
9.2	Technical information	66
10	Labelling.....	69
10.1	Indications on the seating system	69
11	Provisions of warranty.....	70

# 1 Introduction

## 1.1 This manual

This user manual will help you to use and maintain your seating system safely. This user manual is a supplement to Sunrise Medical's general wheelchair user manual.

Where necessary this user manual refers to other manuals as shown below:

-  Wheelchair: Refers to the general wheelchair user manual.
-  Controller: Refers to the user manual for the controller (only applicable for power wheelchairs).

**Read this user manual and the other user manuals referred to carefully before using the product.** If one of the user manuals was not included with your wheelchair, please

contact your dealer immediately.

In addition to this user manual, there is also a service manual for qualified specialists.

**If you are visually impaired, this document can be viewed in PDF format at [www.SunriseMedical.eu](http://www.SunriseMedical.eu) or alternatively is available on request in large text.**

## 1.2 For further information

Please contact your local, authorised Sunrise Medical dealer if you have any questions regarding the use, maintenance or safety of your wheelchair. In case there is no authorised dealer in your area or you have any questions, contact Sunrise Medical either in writing or by telephone.

For information about product safety notices and product recalls, go to [www.SunriseMedical.eu](http://www.SunriseMedical.eu)

## 1.3 Symbols used in this manual

### Note!

Pointing out possible problems to the user.

### ⚠ Caution!

Advice for the user to prevent damage to the product.

### ⚠ Warning!

Warnings for the user to prevent personal injury.

Not following these instructions may result in physical injury, damage to the product or damage to the environment!

### Symbols in illustrations

Each illustration includes icons and numbering to indicate what needs to be done and in which order.



Loosen by one turn with wing-nut



Tighten by one turn with wing-nut



Loosen by one turn with torx



Tighten by one turn with torx



Step 1, 2 etc.

An arrow, as part of an illustration, indicates that the component in question moves or needs to be moved in the direction indicated.

## 2 Safety

### **⚠ Warning!**

Always follow the instructions given next to the warning symbols! Failure to follow these instructions may result in physical injury, damage to the wheelchair or damage to the environment. Where possible the warning symbols have been placed in the applicable paragraphs.

Be careful when swing away/flip up parts. Contact with moving parts should be avoided.

### **⚠ Caution!**

Parts of the wheelchair that are intended, for service or repair, to be removed without the use of tools (e.g. armrest, legrest) can have an adverse effect on the support of the user if they are missing or not placed back in the right position.

### 2.1 Temperature

#### **⚠ Warning!**

Avoid exposing the wheelchair to direct sunlight for extended periods of time. Some parts of the wheelchair, such as the seat, the backrest and the armrests assembly, complete, can become hot if exposed to the sun for too long. This may cause burns or skin irritation.

## 3 General description

### 3.1 Sedeo Pro product description

The wheelchair is fitted with a Sedeo Pro seating system. The Sedeo Pro seating system provides excellent support for the head, torso, arms and legs. Optimal body support ensures maximum independence for the wheelchair user.

The wheelchair must be adjusted by a qualified specialist. Incorrect settings may have negative consequences for seating posture.

#### ⚠ Caution!

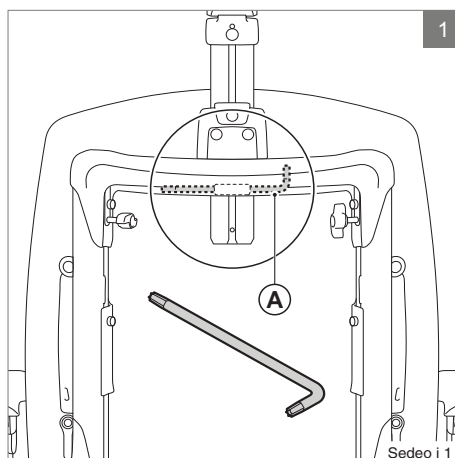
Please study this manual carefully before using the seating system.

#### Tools supplied

A T30 Torx key is supplied with the seating system. This can be used by a professional for adjusting all of the seating system settings. The T30 Torx key (A) can be found on the frame at the location indicated in figure 1.

#### ⚠ Note!

There are calibration marks on various parts of the seating system. The ex-factory settings are indicated.



## 4 Use

### 4.1 Adjustment of the seating system (by the user/attendant)

#### Manually reclining backrest (by attendant)

1. Squeeze (A).
2. Adjust (B) to the desired position.

**Note!**

Keep squeezing (A).

3. Release (A).

#### Manually reclining backrest (by user)

1. Squeeze (A).
2. Lean forwards or backwards to adjust (B) to the desired position.

**Note!**

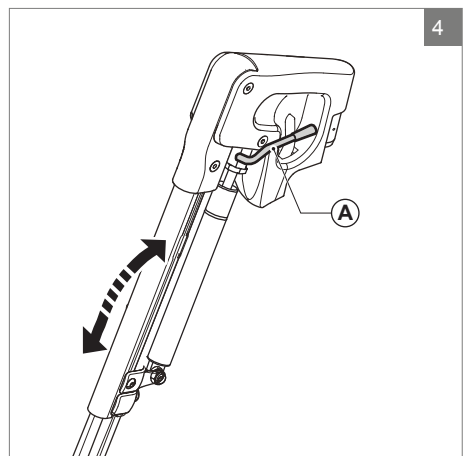
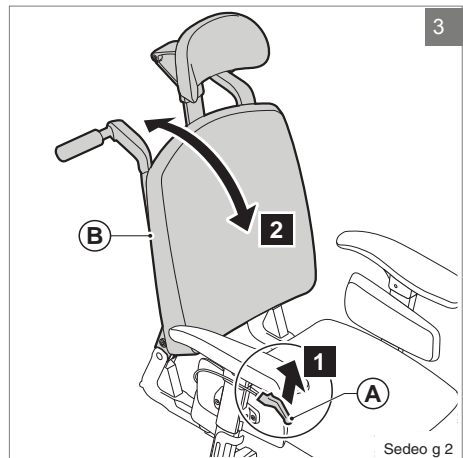
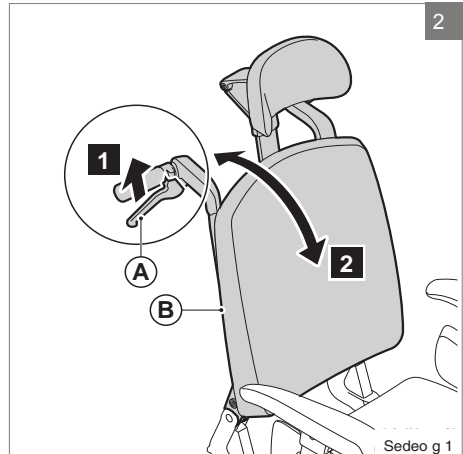
Keep squeezing (A).

3. Release (A).

#### Manually elevating legrests knee angle

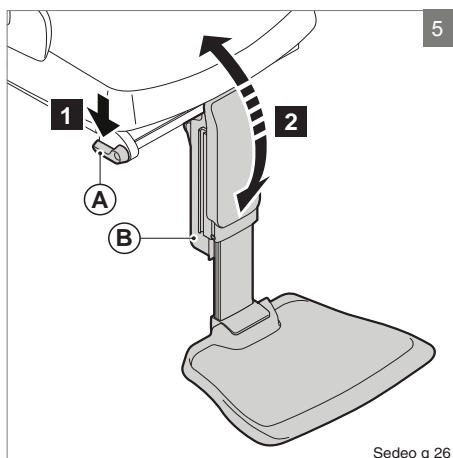
The angle of the comfort leg rests can be adjusted independently of each other.

1. Push handle (B) forwards.
2. Lift your leg.
3. Release the handle when in the desired position.



### Central legrest knee angle

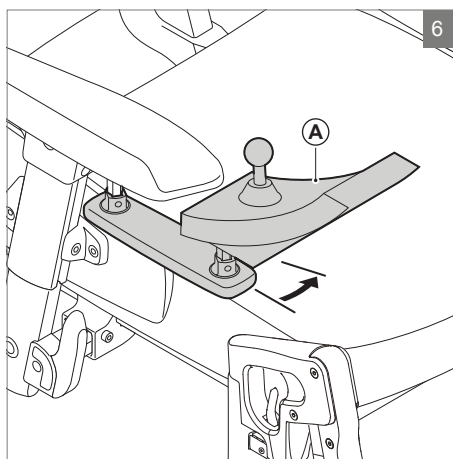
1. Loosen (A) by a quarter of a turn.
2. Adjust (B) to the desired position.
3. Tighten (A).



Sedeo g 26

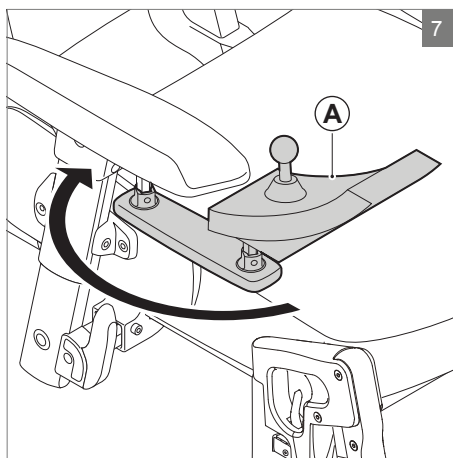
### Moving the controller bracket inwards

1. Push (A) inwards until hearing a click.



### Swing away the controller bracket

1. Push (A) outwards until hearing a click.

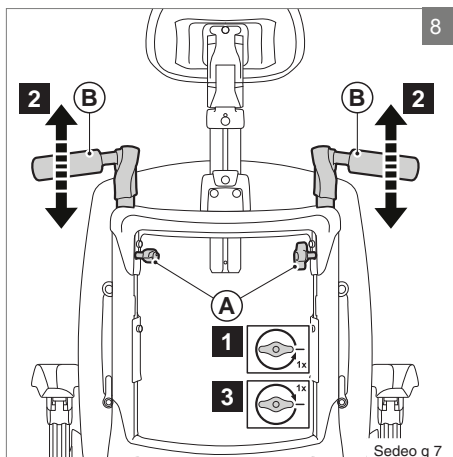


#### Note!

Swinging back the controller bracket will allow you to pull up close to a table. Full operation of the controller remains possible.

### Push handle height

1. Loosen (A) by one turn.
2. Slide (B) into the desired position.
3. Tighten (A).



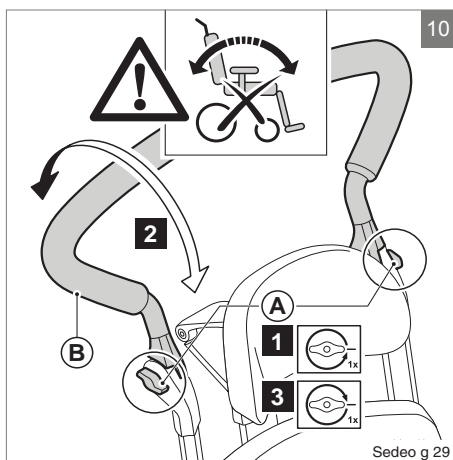
### Angle adjustable push bar

1. Loosen (A) by one turn.
2. Slide (B) into the desired position.
3. Tighten (A).

#### ⚠ Warning!

Do not use the push bar to tip the whole chair to the rear (in order to mount a pavement, for example).

The push bar is not suitable for such use.

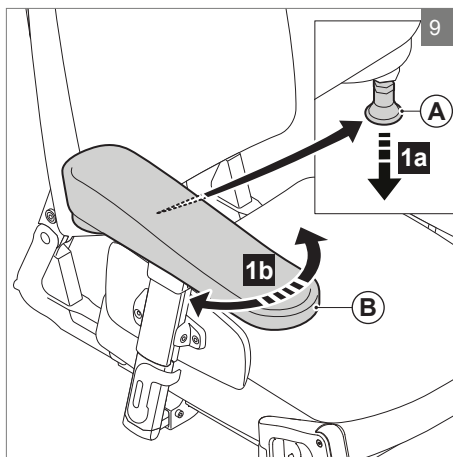


### Hemiplegia armrest

1. Pull (A) out of the locked position and twist (B) into the desired position.

#### Note!

Ensure that (B) is properly secured!



## 4.2 Getting into and out of the wheelchair (forward transfer)

### ⚠ Warning!

Do not stand on the footplates. Putting your full weight on the footplates may lead to wheelchair damage and to hazardous situations, including the wheelchair tipping up.

### Swing-away legrests

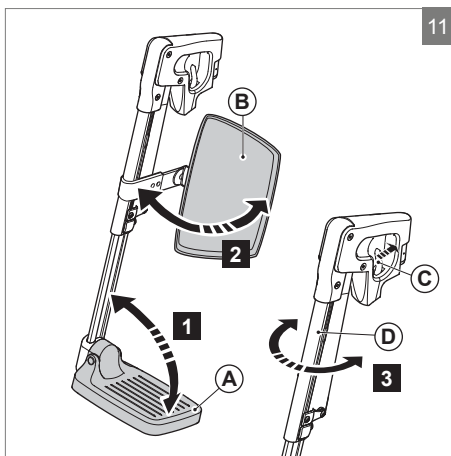
1. Fold up the foot supports (A)
2. Swing the calf plates (B) to the side (if applicable)
3. If possible, push (C) to the rear and swing legrests (D) to the side
4. Seat yourself in the chair

### Flipping up the central legrest footplate

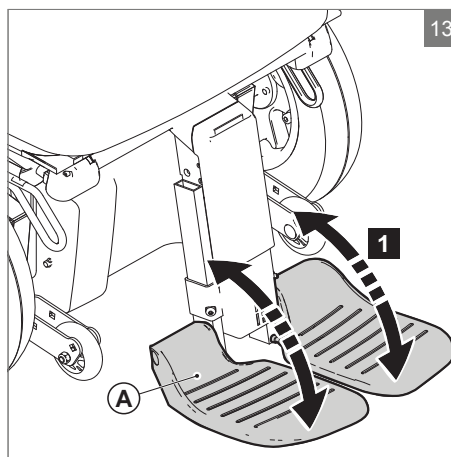
1. Flip up (A).

### Flipping up the electrically central legrest footplate

1. Flip up (A).



Sedeo g 14





### 4.3 Getting into and out of the wheelchair (sideways transfer)

#### Note!

Some versions of the controller will need to be swung aside.

#### Removing the armrest assembly

1. Tip (A) downwards.
2. Remove (B).

#### Folding back the armrest assembly

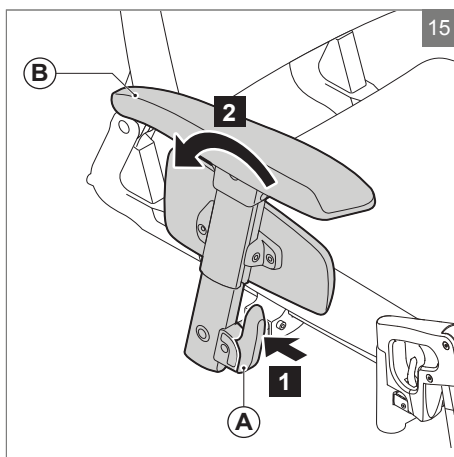
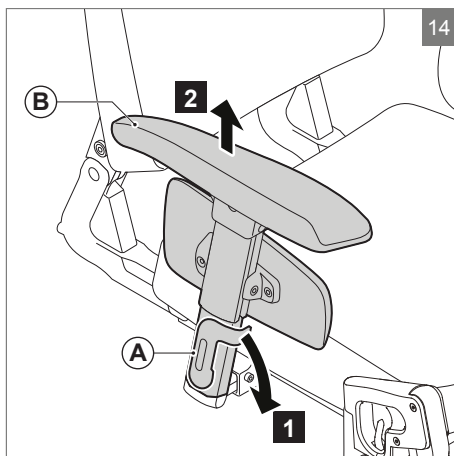
1. Press (A).
2. Fold (B) to the rear.

#### ⚠ Caution!

Remove the tray before folding back the armrest assembly.

#### ⚠ Warning!

Do not lean on the armrest when folded back.



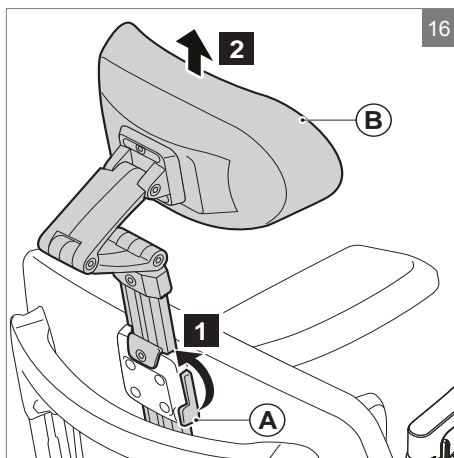
### 4.4 Options / accessories

#### Removing/positioning the headrest

1. Lift (A).
2. Slide (B) out of or into (C).
3. Push (A) down.

#### Note!

Always slide the headrest until it comes to a stop in the bracket.



**Flip down the abduction support**

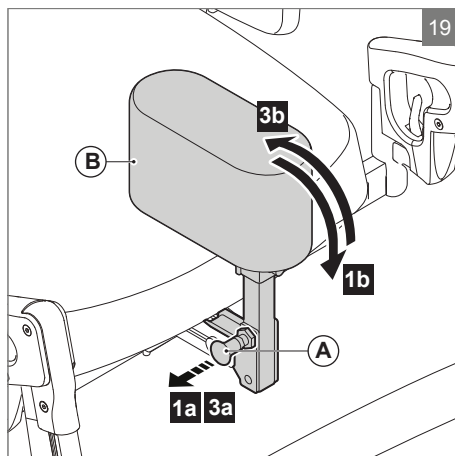
1. Pull (A) out of the locked position and flip down (B)
2. Release (A).

**Flip up the abduction support**

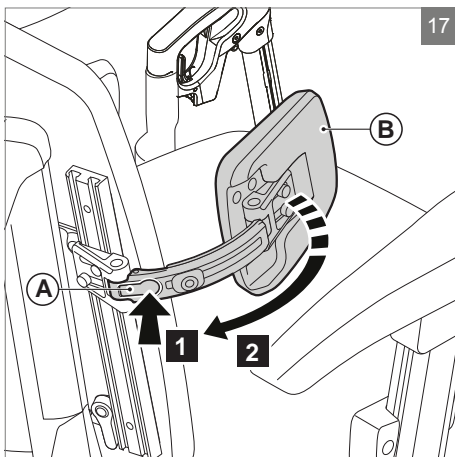
3. Pull (A) out of the locked position and flip up (B).
4. Release (A) in the locked position.

**Note!**

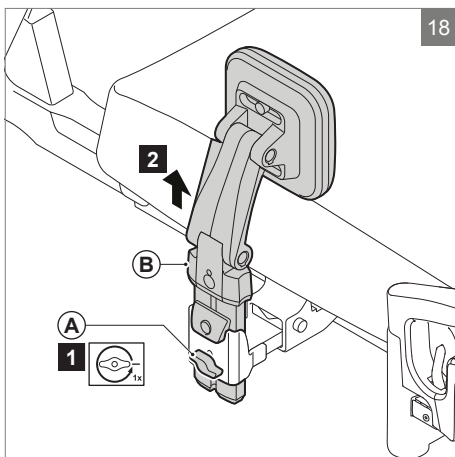
Ensure that (B) is properly secured!

**Folding back the thoracic support**

1. Press (A) to fold back (B).

**Removing the thigh support**

1. Loosen (A) by one turn.
2. Remove (B).



## 5 Settings

The average wheelchair user does not exist. This is why Sunrise Medical seating systems can be adjusted according to the specific needs of the user.

In this, we make a distinction between seating system settings and seating system adjustment options. Settings are carried out only once and must be executed by qualified specialists, unless explicitly stated otherwise. Adjustment options can be carried out by the user. These adjustment options do not require the use of tools.

### Note!

There are calibration marks on various parts of the seating system. The ex-factory settings are indicated.

### 5.1 Seat depth

#### Backrest adjustment

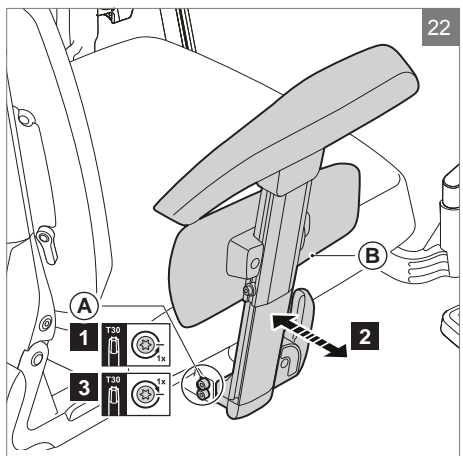
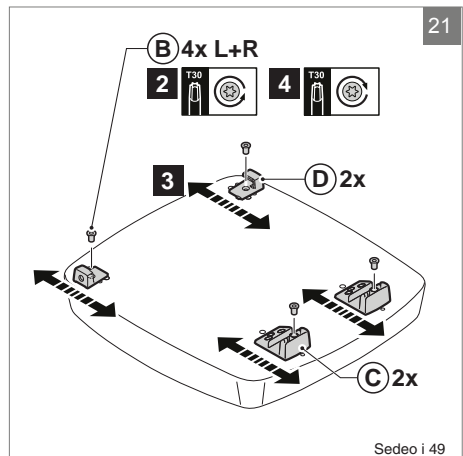
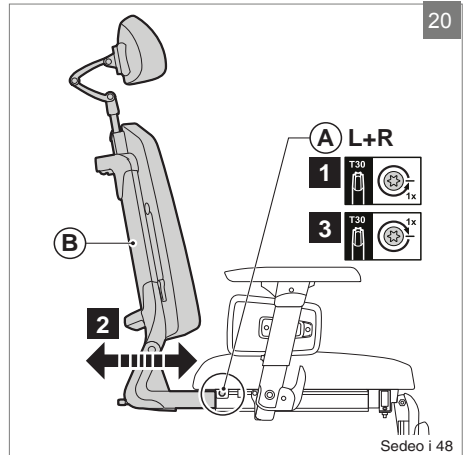
1. Loosen (A) by one turn.
2. Adjust (B) to the desired position.
3. Tighten (A).

#### Seating system adjustment

1. Remove the seat (see "Use - Reducing the seating system in size for transportation purposes").
2. Remove the screws (B).
3. Move (C) and (D).
4. Tighten the screws (B).
5. Replace the seat (see "Use - Setting up the seating system following transportation").

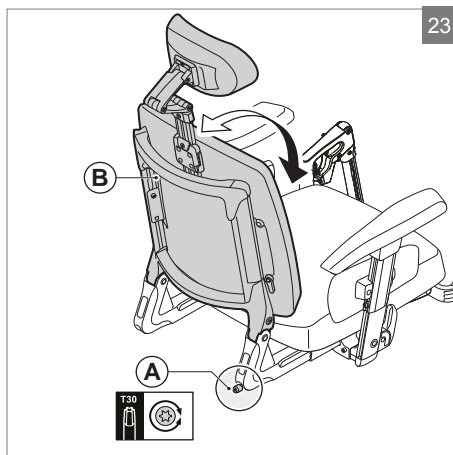
### 5.2 Seat width

1. Loosen (A) by one turn.
2. Slide (B) into the desired position.
3. Tighten (A).



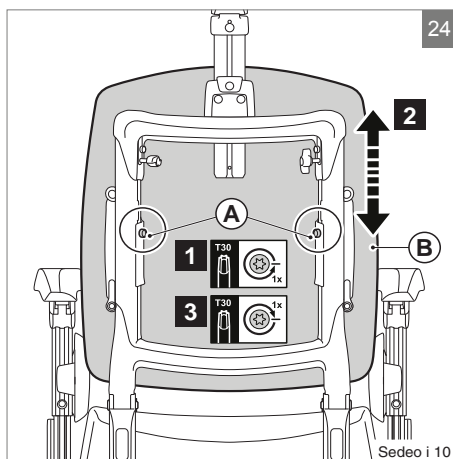
### 5.3 Backrest angle

1. Turn (A) in order to adjust (B).



### 5.4 Backrest height

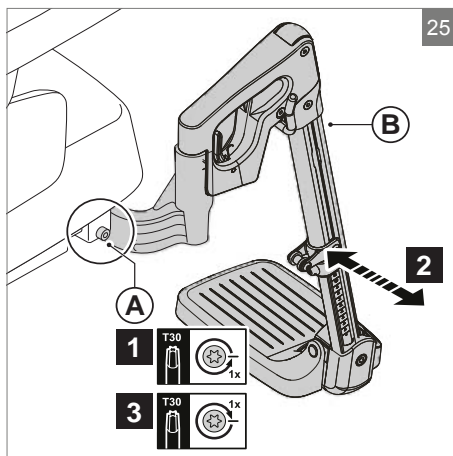
1. Loosen (A) by one turn.
2. Adjust (B) to the desired position.
3. Tighten (A).



### 5.5 Standard and manually elevating legrest

#### Legrest width

1. Loosen (A) by one turn.
2. Slide (B) into the desired position.
3. Tighten (A).



### Lower leg length

1. Loosen screw (A) a few turns with a 4 mm Allen key.
2. Slide the footplate (B) in the desired position.
3. Tighten (A) securely.

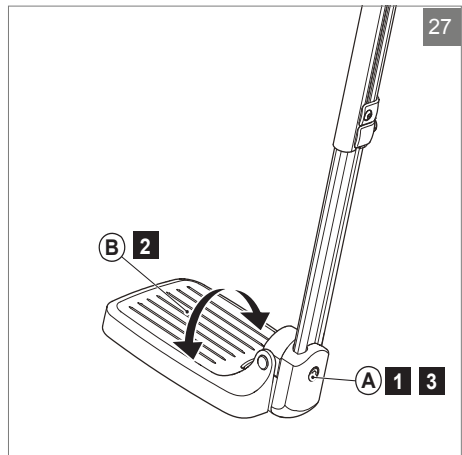
#### ⚠ Caution!

Ensure that there is sufficient free space under (B) for the wheelchair to drive over obstacles.



### Footplate angle

1. Loosen sockethead screw (A) a few turns.
2. Adjust the footplate (B) angle to the desired position.
3. Tighten (A) securely.



## 5.6 Footplate (for small / large seat widths)

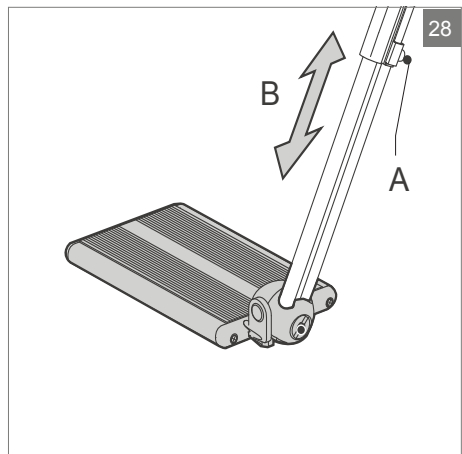
### Footplate depth

The footplate is secured asymmetrically. The left and right footplate can be exchanged.

1. Loosen the setscrew (A) with a 4 mm Allen key.
2. Remove the footplate together with the profile.
3. Slide the footplate in the top tube of the other legrest.
4. Tighten the setscrew (A) securely.

#### ⚠ Caution!

Make sure that the castor wheels do not touch the footplates when manoeuvring. If this is the case, the legrests must be brought forward. There must be at least 1 cm between the castor wheels and the footplates.



## 5.7 Manually elevating legrest

### Calf pad height

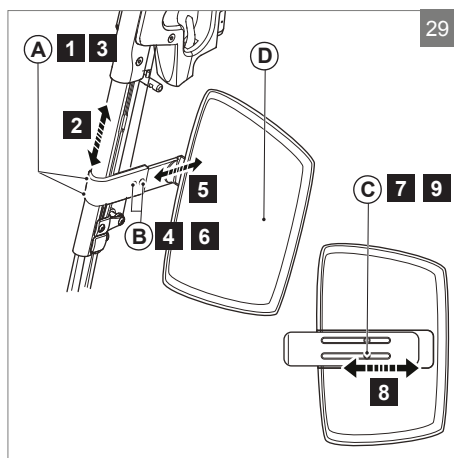
1. Loosen the Allen bolts (A) a few turns with a 4 mm Allen key.
2. Slide the calf pad (D) in the desired position.
3. Tighten (A) securely.

### Calf pad depth

4. Loosen (B) a few turns
5. Slide the calf pad (D) in the desired position.
6. Tighten (B) securely.

### Calf pad width

7. Loosen (C) on the back of (D) a few turns
8. Slide the calf pad (D) in the desired position.
9. Tighten (C) securely.



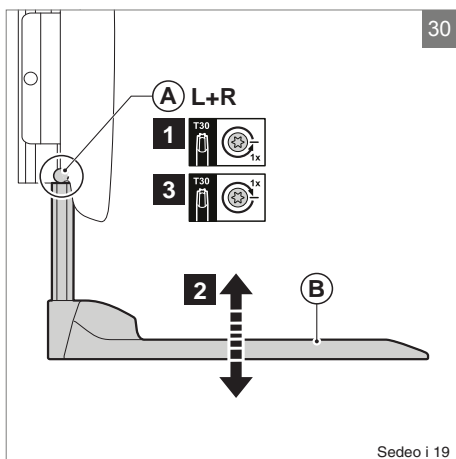
## 5.8 Central legrest

### Lower leg length

1. Loosen (A) by one turn.
2. Slide (B) into the desired position.
3. Tighten (A).

#### ⚠ Caution!

Ensure that there is sufficient free space under (B) for the wheelchair to drive over obstacles.



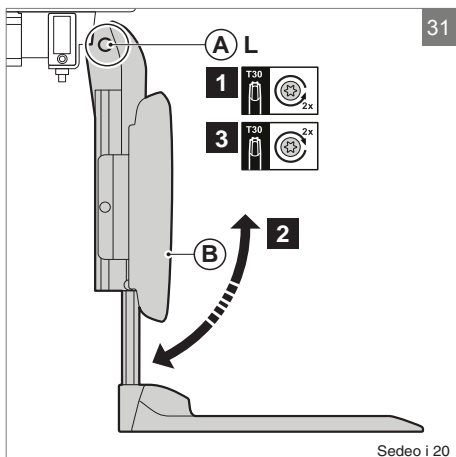
Sedeo i 19

### Knee angle

1. Loosen (A) by two turns.
2. Adjust (B) to the desired angle.
3. Tighten (A) by two turns.

#### ⚠ Caution!

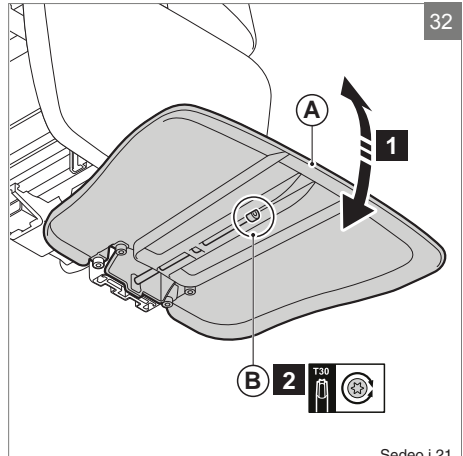
Change the height or knee angle if the footplate touches the castor wheels.



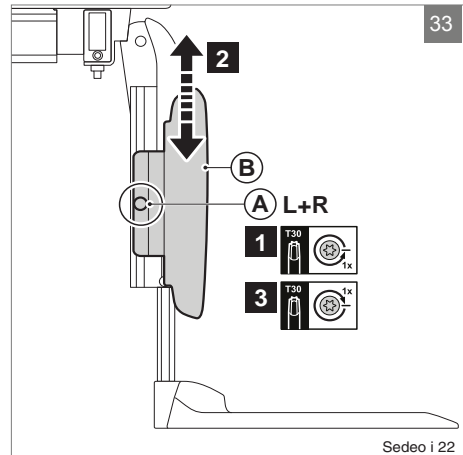
Sedeo i 20

**Ankle angle**

1. Flip up (A).
2. Turn (B) in order to adjust the ankle angle as desired.
3. Fold (A) down.

**Calf pad height**

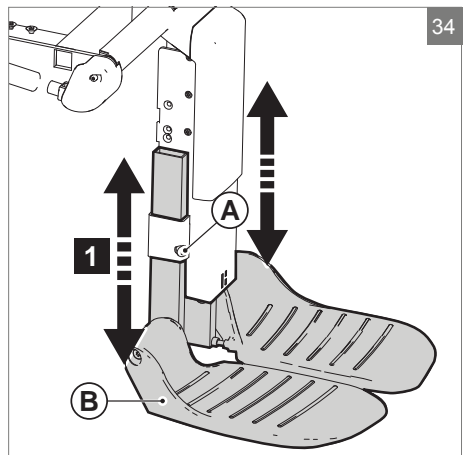
1. Loosen (A) by one turn.
2. Slide (B) into the desired position.
3. Tighten (A).

**5.9 Electrically elevating central legrest****Lower leg length**

1. Loosen (A) by one turn.
1. Slide (B) into the desired position.
2. Tighten (A).

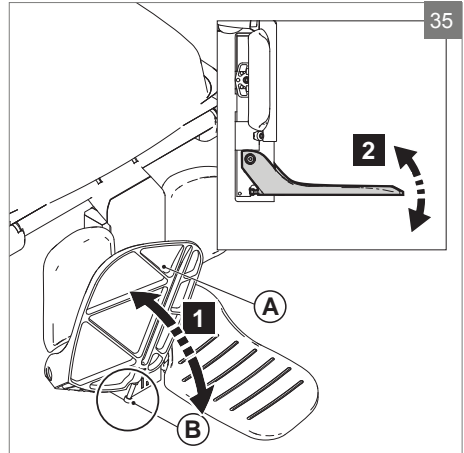
**⚠ Caution!**

Ensure that there is sufficient free space under (B) for the wheelchair to drive over obstacles.

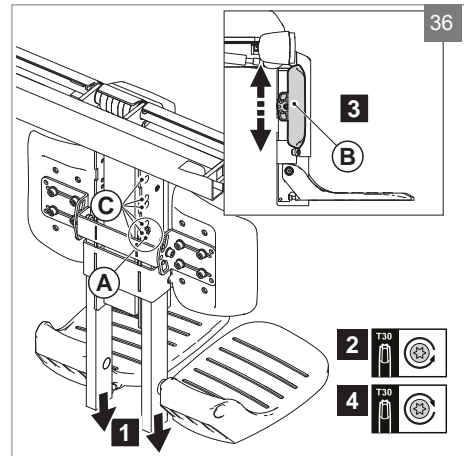


**Ankle angle**

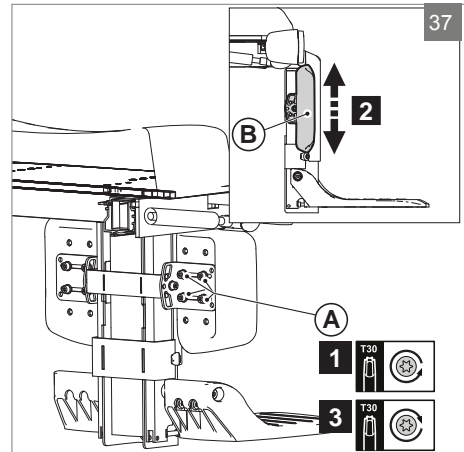
1. Flip up (A).
2. Turn (B) in order to adjust the ankle angle as desired.
3. Fold (A) down.

**Calf pad height (1)**

1. Lower the leg length
2. Unscrew (A) (2x)
3. Adjust (B) to desired height and move (A) to higher/lower holes (C)
4. Tighten (A) (2x)

**Calf pad height (2)**

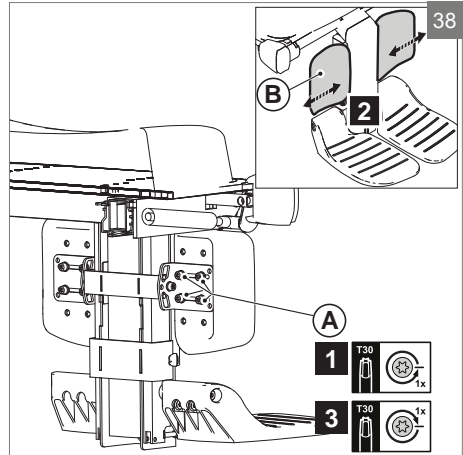
1. Unscrew (A)
2. Adjust (B) to desired height and move (A) to higher/lower hole.
3. Tighten (A)



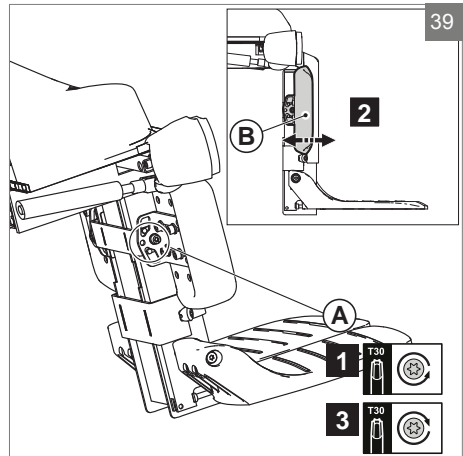


**Calf pad width**

1. Loosen (A) by one turn.
2. Slide (B) into the desired position.
3. Tighten (A).

**Calf pad depth**

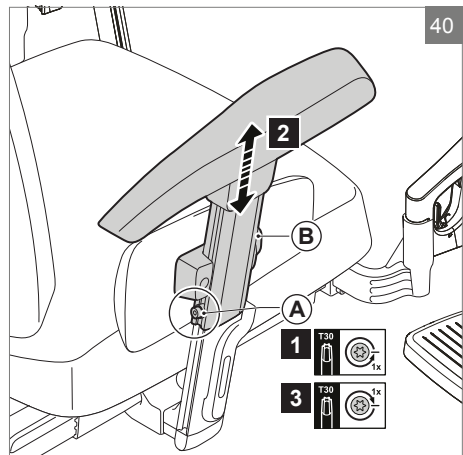
1. Unscrew (A)
2. Adjust (B) to desired depth and move (A) to the corresponding hole.
3. Tighten (A)

**5.10 Armrest assembly****Armrest height**

1. Loosen (A) by one turn.
2. Adjust (B) to the desired position.
3. Tighten (A).

**Note!**

Ensure that the arms are supported well, without the shoulders being pushed upwards.

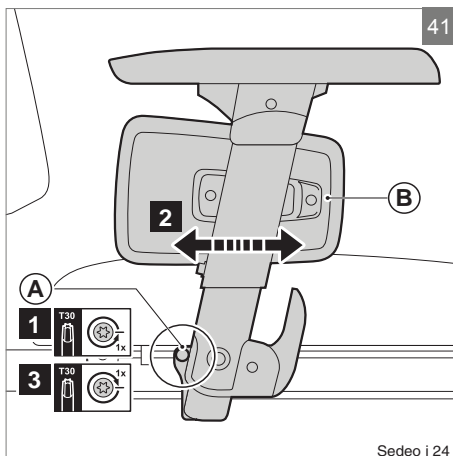


**Armrest depth**

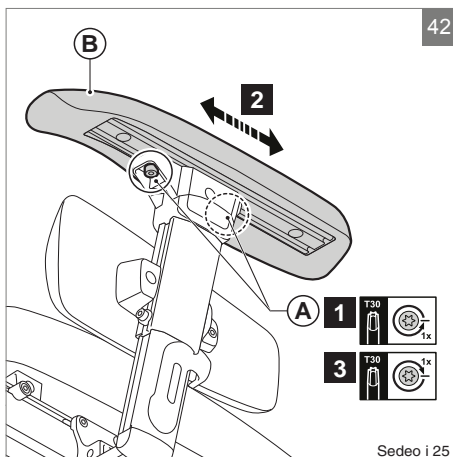
1. Loosen (A) by one turn.
2. Slide (B) into the desired position.
3. Tighten (A).

**Note!**

Position the armrest further back in order to obtain more space for transfers.

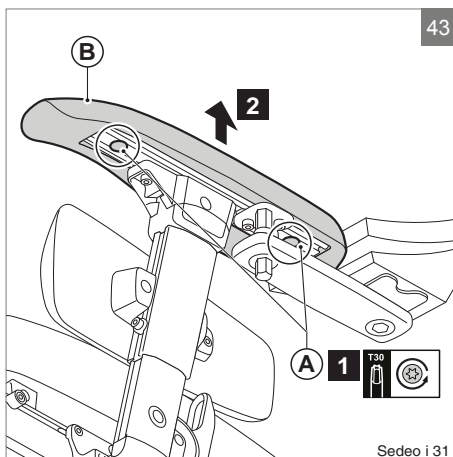
**Armrest pad depth**

1. Loosen (A) by one turn.
2. Slide (B) into the desired position.
3. Tighten (A).

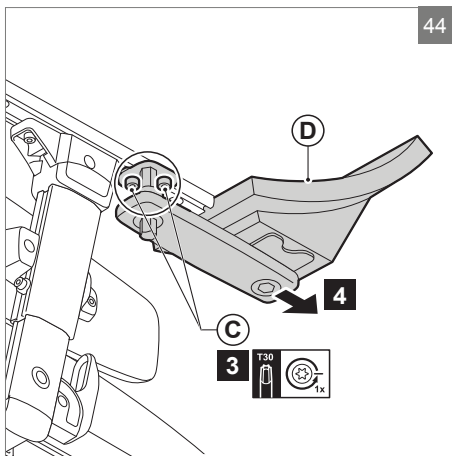
**Armrest width, with or without controller bracket**

To remove:

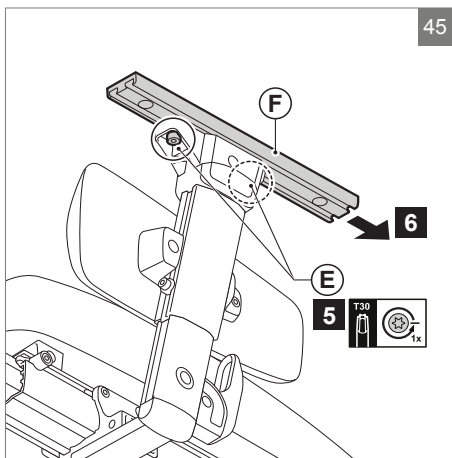
1. Loosen (A).
2. Remove (B).



3. If applicable, loosen (C) by one turn.
4. Remove (D) if applicable.



5. Loosen (E) by one turn.
6. Remove (F).

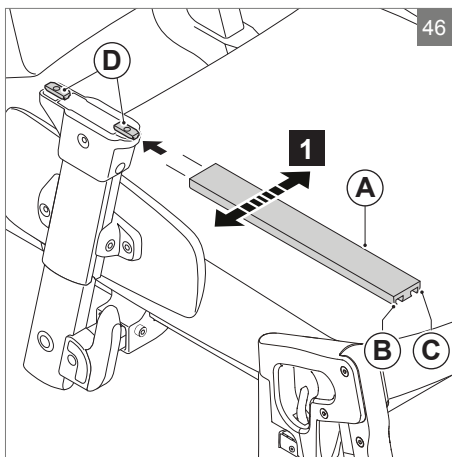


To position:

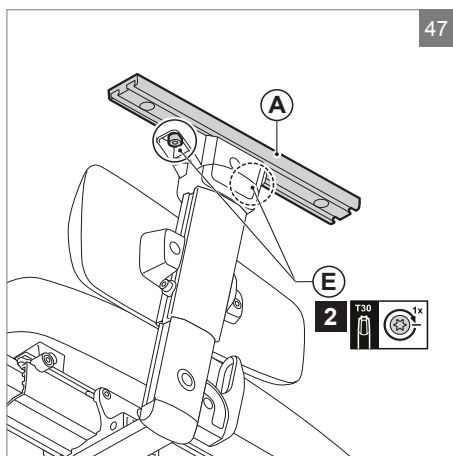
1. Slide (A) together with (B) or (C) onto (D).

**Note!**

Ensure that the ridge on the terminal block falls into the opening

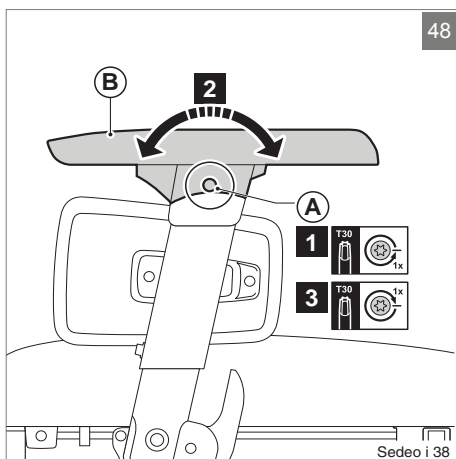


2. Adjust the depth of (A) and tighten (E).
3. Position the controller bracket.
4. Position the armrest.



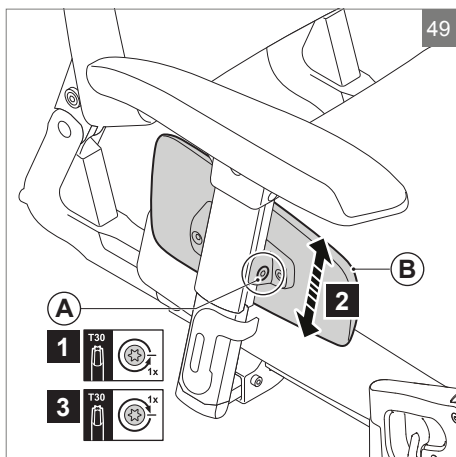
### Changing the armrest angle

1. Loosen (A) by one turn.
2. Tilt (B) to the desired position.
3. Tighten (A).



### Side panel height

1. Loosen (A) by one turn.
2. Adjust (B) to the desired position.
3. Tighten (A).



## 5.11 Adjusting the centre of gravity

### ⚠ Warning!

Changing the wheelchair's centre of gravity may negatively influence the wheelchair's driving characteristics and/or its dynamic stability.

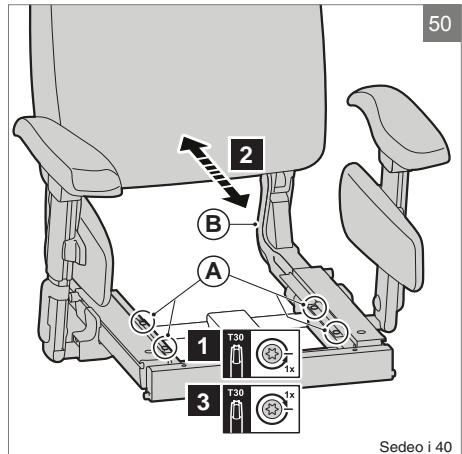
Such adjustments should be made by professionals only.

1. Loosen (A) by one turn.
2. Slide (B) forwards or backwards.
3. Tighten (A).

### Note!

If the user's weight distribution is average, then the centre of gravity should be adjusted to the same setting as the seat depth.

For better sliding release the seat depth adjustment

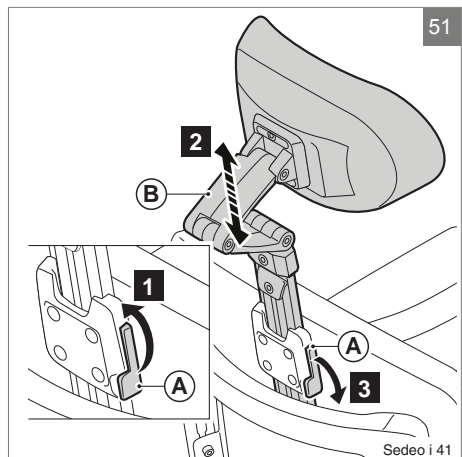


Sedeo i 40

## 5.12 Headrest

### Headrest height

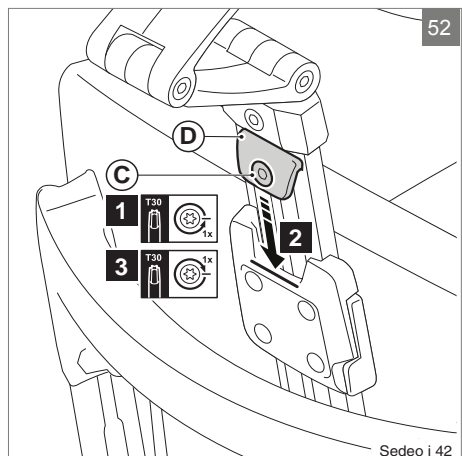
1. Lift (A).
2. Slide (B) into the desired position.
3. Push (A) down.



Sedeo i 41

### Adjusting the memory setting

1. Loosen (C) by one turn.
2. Slide (D) as far down as possible.
3. Tighten (C).



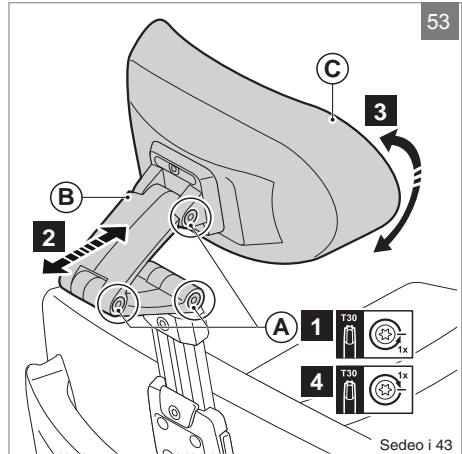
Sedeo i 42

**Headrest position**

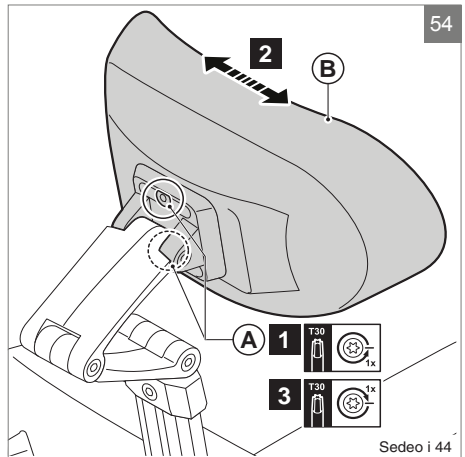
1. Loosen (A) by one turn.
2. Adjust (B) to the desired position.
3. Tighten (A).

**Note!**

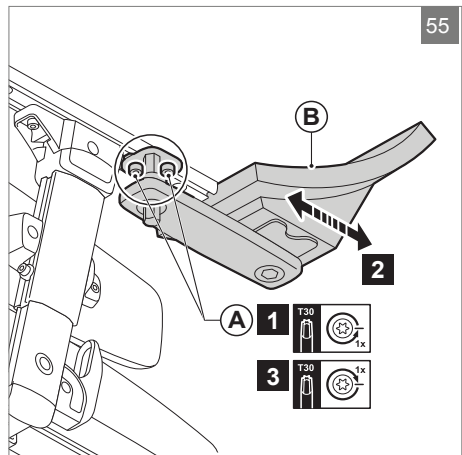
Correct the headrest height and tilt the headrest cushion as required.

**Headrest cushion width**

1. Loosen (A) by one turn.
2. Slide (B) into the desired position.
3. Tighten (A).

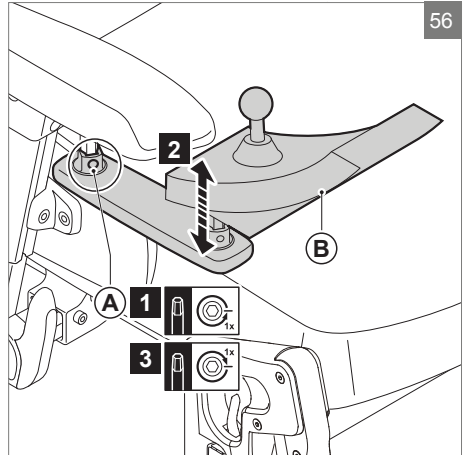
**5.13 Fixed / swing-away controller bracket****Depth**

1. Loosen (A) by one turn.
2. Slide (B) into the desired position.
3. Tighten (A).

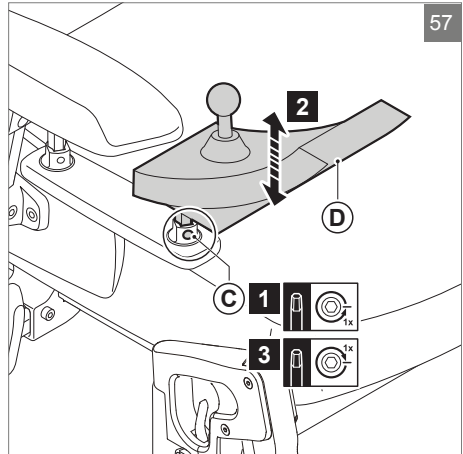


**Height (1)**

1. Loosen (A) by one turn.
2. Slide (B) into the desired position.
3. Tighten (A).

**Height (2)**

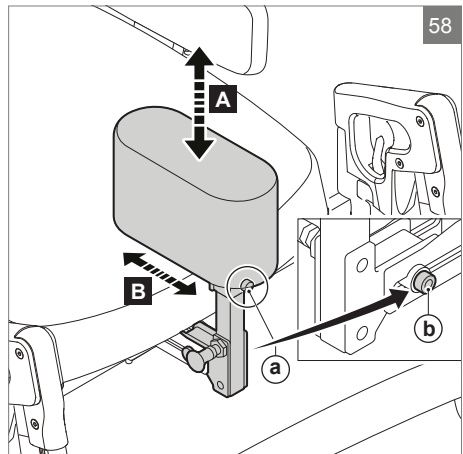
1. Loosen (C) by one turn.
2. Slide (D) into the desired position.
3. Tighten (C).

**5.14 Abduction support****Adjust the abduction support as follows:**

1. Loosen the Torx screw.
2. Adjust the part to the desired position.
3. Tighten the Torx screw.

A/a. Height adjustment.

B/b. Depth adjustment.

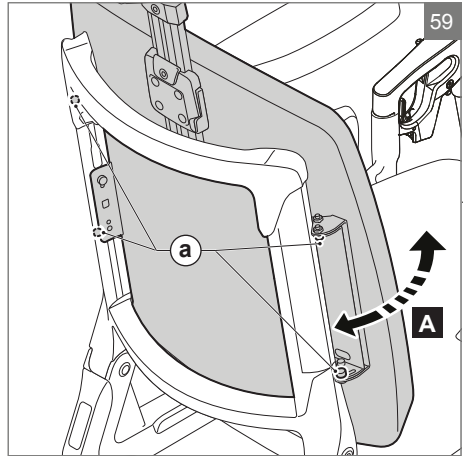


## 5.15 Backrest with adjustable straps - flexible

The sides of the backrest with adjustable straps can be adjusted as follows:

1. Loosen the four Torx screws.
2. Adjust the sides to the desired position.
3. Tighten the four Torx screws.

A/a. Angle adjustment.



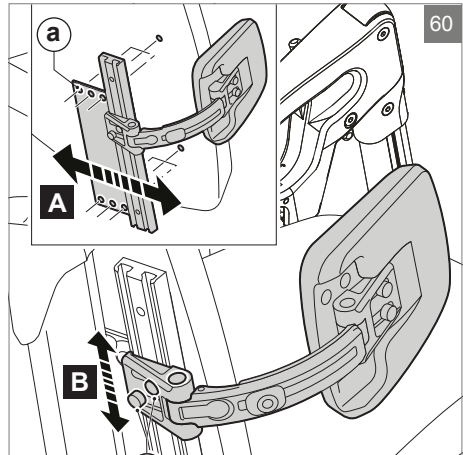
## 5.16 Thoracic support

Adjust the thoracic support as follows:

1. Loosen the Torx screw.
2. Adjust the part to the desired position.
3. Tighten the Torx screw.

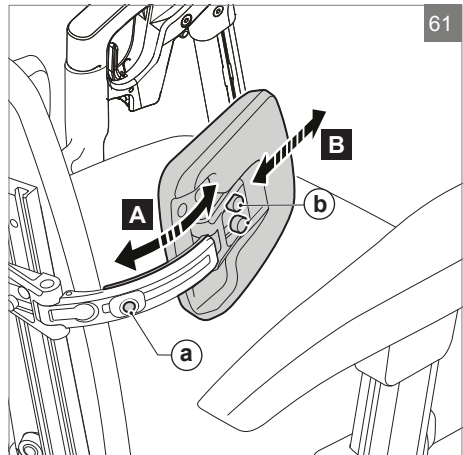
A/a. Rough adjustment of width

B/b. Height adjustment



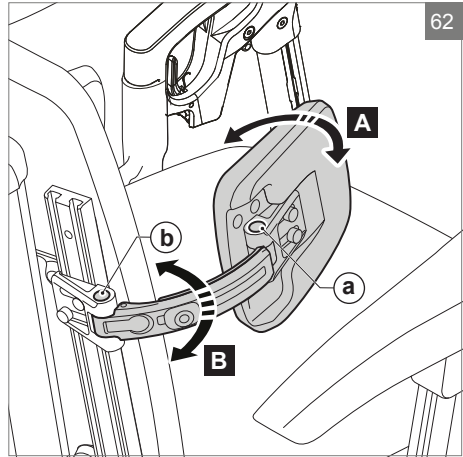
A/a. Adjustment of bracket depth

B/b. Adjustment of cushion depth





- A/a. Adjustment of cushion angle  
 B/b. Fine adjustment of width

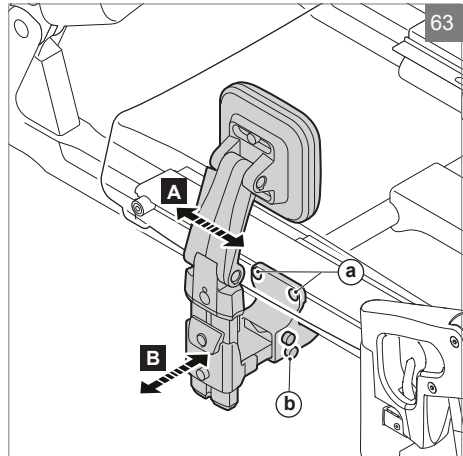


## 5.17 Thigh support

### Adjust the thigh support as follows:

1. Loosen the Torx screw.
2. Adjust the part to the desired position.
3. Tighten the Torx screw.

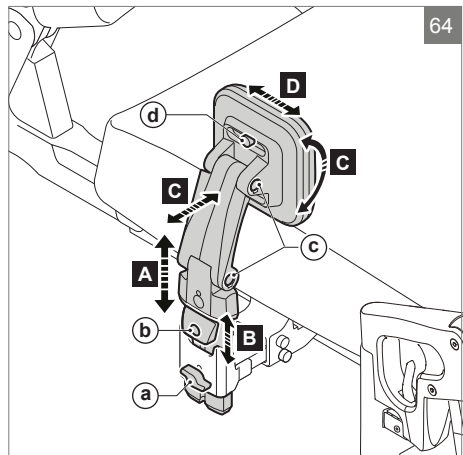
- A/a. Depth adjustment  
 B/b. Width adjustment



- A/a. Height adjustment  
 B/b. Memory setting adjustment  
 C/c. Bracket position adjustment  
 D/d. Cushion position adjustment

#### Tip!

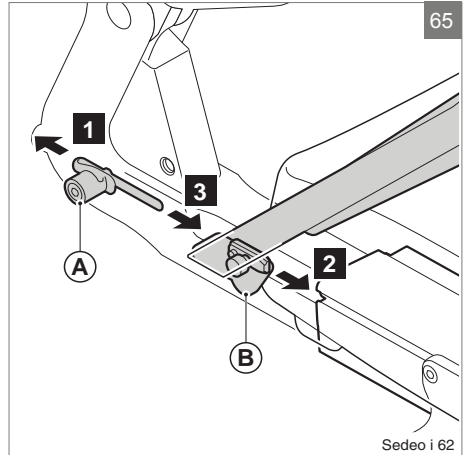
The height adjustment can be fixed using the memory setting.



## 5.18 Attaching the lap strap

### Attaching to the slider

1. Loosen 2x (A) and remove (A) from the left-hand and right-hand sliders.
2. Place (B) in the sliders and tighten in the desired position.
3. Position 2 x (A) back in the sliders and tighten (A).



### Attaching to the seating frame

1. Attach (A) to the seating frame using a screw on the left and on the right.



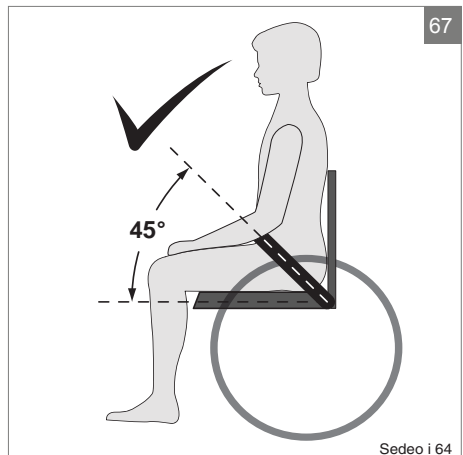
### ⚠ Warning!

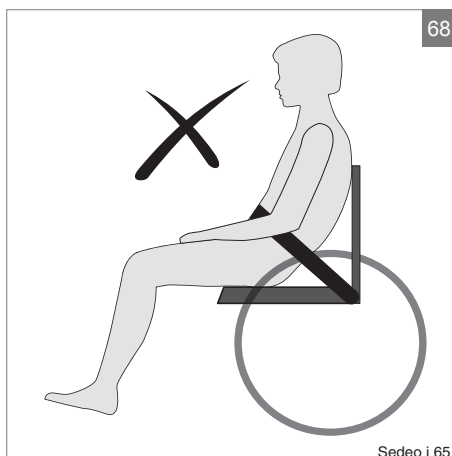
Ensure that the lap strap is adjusted to the wheelchair user. The strap must fit snugly across the hips at an angle of approximately 45°.

Ensure that the strap is clean at all times and that the locking mechanism is working properly. The strap and the locking mechanism can be cleaned using a damp cloth.

If the strap is positioned above the hips and across the soft part of the user's belly, then this can result in seating posture being incorrect and the user slumping in the seat.

Never use the lap strap as a seatbelt when using transport.





Sedeo i 65

## 5.19 Third party backrest

### Seat width

1. Loosen (A) by one turn.
2. Slide (B) into the desired position.
3. Tighten (A).

### Seat depth

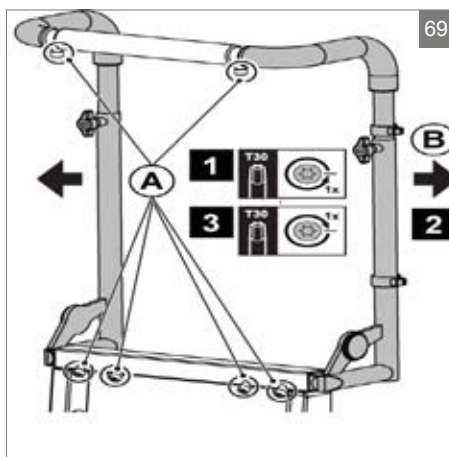
See 5.1 Seat depth.

### Adjust the centre of gravity

See 5.9 Adjusting the centre of gravity.

#### **⚠ Warning!**

The stability of the wheelchair is influenced by the adjustment of the seating system's centre of gravity. Such adjustments should be made by professionals only.



## 6 Transport

### 6.1 Reducing the seating system in size for transportation purposes

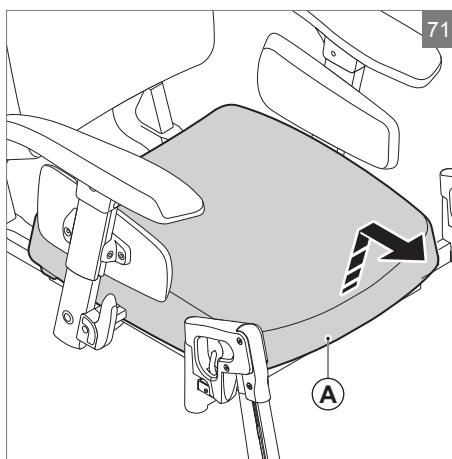
- B. Seat (2,5 kg)
- C. Backrest (2,5 kg)
- D. Armrest assembly (2 kg)
- E. Legrest (1,7 kg)
- F. Headrest (1,3 kg)

#### **⚠ Warning!**

The wheelchair can be reduced in size for transportation without a passenger. Any components of the seating system that can be detached easily should be removed. Store away such components safely so that they can not cause injury or damage, or become damaged themselves.

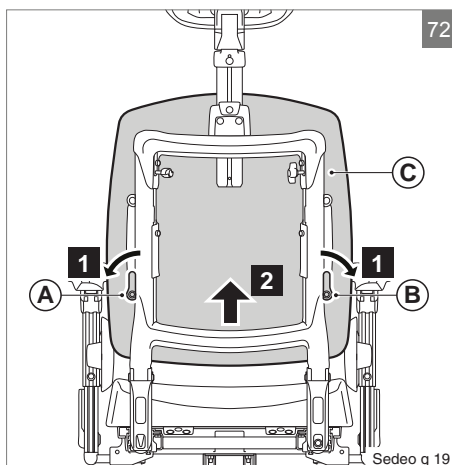
#### **Removing the seat**

1. Pull (A) upwards and forwards.



#### **Removing the back cushion**

1. Turn (A) and (B).
2. From the bottom, pull (C) forwards and upwards and remove.



### Folding the backrest fully forward

1. Loosen (A).

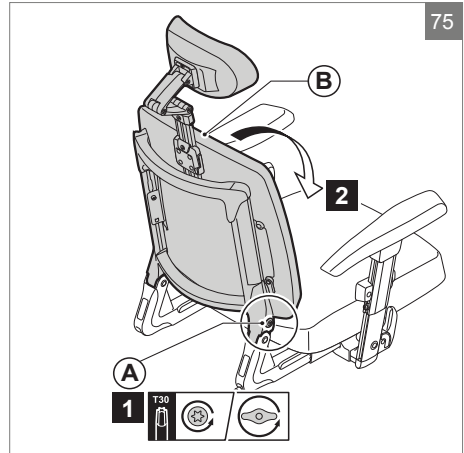
**Note!**

Do not remove (A).

2. Fold (B) fully forward.

**Note!**

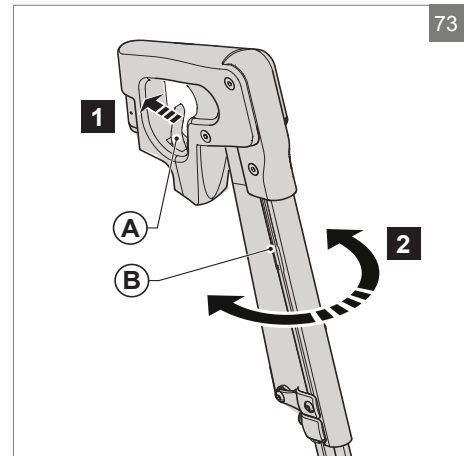
If necessary, first remove the back cushion and/or the armrest assemblies.



### Removing a swing-away legrest

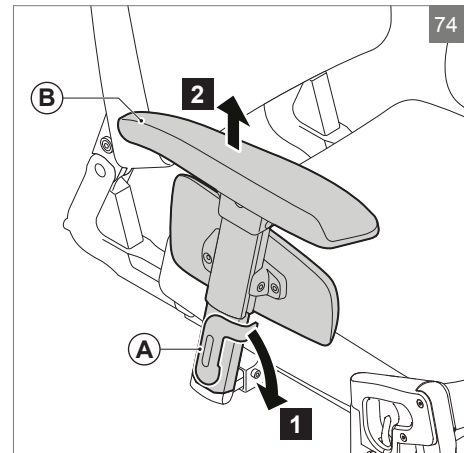
1. Loosen the calf band.
2. Push the catch (A) to the rear in order to unlock the leg rest.
3. Swing the leg rest outwards.
4. Remove the leg rest (B) from its bracket by lifting.

You should hear a click when replacing the leg rest. This indicates that the leg rest has locked into place.



### Removing the armrest assembly

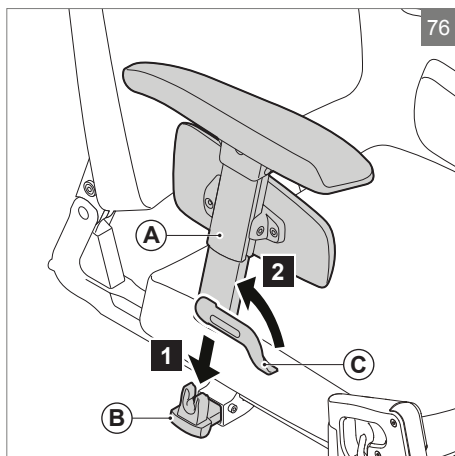
1. Tip (A) downwards.
2. Remove (B).



## 6.7 Setting up the seating system following transportation

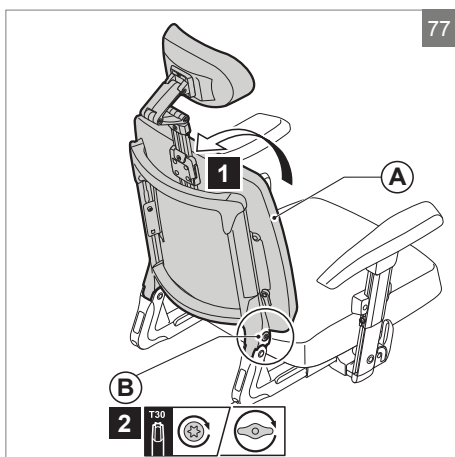
### Positioning the armrest assembly

1. Slide (A) onto (B).
2. Push (C) upwards.



### Positioning the backrest for use

1. Fold (A) upwards and backwards.
2. Tighten (B).

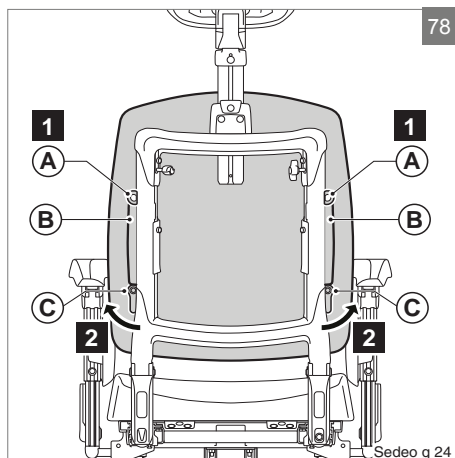


### Positioning the back cushion

1. Hook (A) behind (B).
2. Turn (C).

#### **⚠ Caution!**

Ensure that the back cushion is firmly in position (handles upwards).

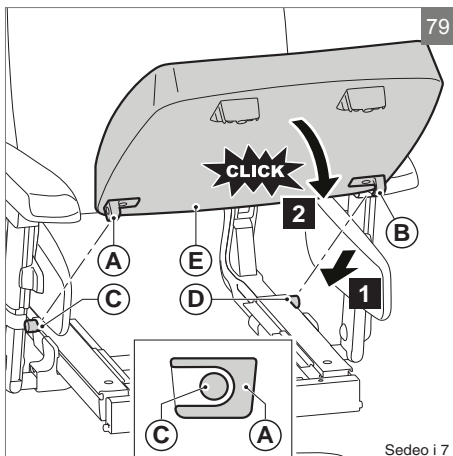


**Positioning the seat**

1. Slide (A) and (B) over (C) and (D)
2. Push (E) downwards.

**⚠ Caution!**

Ensure that (A) and (B) at the back of the seat hook under the bolt heads.



## 7 Maintenance

It is recommended that you have your wheelchair serviced by your dealer once a year or, in the case of intensive use, once every six months.

### 7.1 Cleaning the upholstery

Clean the upholstery using a damp cloth and household soap. Then rub dry using a soft, dry cloth.

#### PU parts

Clean the armrests, side cushions etc. using a damp cloth and household soap. Then dry the parts using a soft cloth.

#### Seat and backrest cushion upholstery

Follow the washing instructions on the covers:

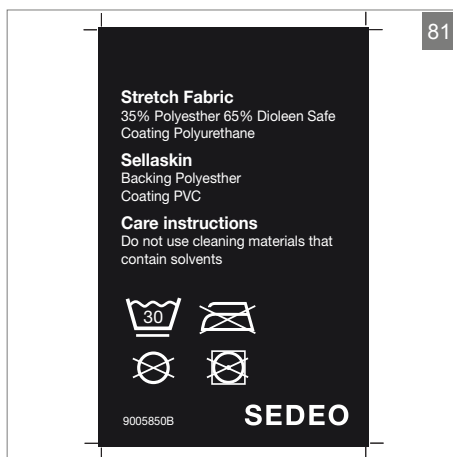
For the incontinence cover see figure 80.

For the comfort cover see figure 81.

#### Warning!

Do not use organic solvents such as thinner, benzine or white spirit.

Do not chemically clean the upholstery. Do not iron or spin-dry the upholstery.





## 8 Troubleshooting

If there is a problem with your seating system, contact your dealer.

## 9 Technical specifications

### 9.1 CE declaration and requirements



The product is in conformity with the provisions of the Medical Devices Directive and carries the CE mark.

The product also meets the following requirements and standards. This has been verified by independent test organizations.

1. EN 12183 (2009) Manual wheelchairs or EN 12184 (2009) Electrically powered wheelchairs.
2. ISO 7176-8 Requirements for impact, static and fatigue strength.
3. ISO 7176-9 Climatic tests for electric wheelchairs and scooters.
4. ISO 7176-16 Requirements for resistance to ignition of upholstered parts.
5. ISO 7176-19 Crash test.
6. EN-ISO 10993-5 (1999-11) Biological evaluation of medical devices.
7. EN 1021 1,2 Assessment of the ignitability of upholstered furniture. Ignition source: smouldering cigarette/match flame equivalent.

### 9.2 Technical information

Description	Unit	Values
<b>Seating system</b>		
User Weight	kg	160
Seat width	mm	400 - 540
Seat width (option)	mm	520 - 680
Seat depth	mm	440 - 600
Point of gravity	mm	95
<b>Seat</b>		
Seat cushion depth position	mm	-20 / 0 / +20
<b>Backrest</b>		
Backrest height	mm	500 - 640
Backrest angle	°	89 - 128
Backrest recline (option)	°	89 - 128
<b>Armrest</b>		
Armrest pad width	mm	-20 / 0 per side
Armrest pad height	mm	-170 - 290
Armrest pad height (option)	mm	270 - 390
Armrest depth	mm	80
Armrest pad angle	°	0 - 15
Armrest pad depth, controller bracket side	mm	50
Armrest pad depth, non controller bracket side	mm	160
<b>Side support</b>		
Side cushion height	mm	65
<b>Central legrest</b>		
Lower leg length (with compressed seat cushion)	mm	350 - 515

Description	Unit	Values
Knee angle*	°	30 - 110
Ankle angle	°	+20 till -40
Central calf support height (option)	mm	120
<b>Manually elevating central legrest</b>		
Lower leg length (with compressed seat cushion)	mm	385 - 550
Knee angle*	°	30 - 110
Ankle angle	°	+20 tot -40
Central calf support height	mm	120
Width of the side support on central calf support	mm	0 - 100
<b>Electrically elevating central legrest</b>		
Lower leg length (with compressed seat cushion)	mm	365 - 530 (14.4 - 20.9)
Knee angle*	°	10 - 86
Maximum length compensation	mm	180 (7.1)
Ankle angle	°	+20 till -20
Calf support height	mm	90 (3.5)
Width calf supports	mm	350 - 430 (13.8 - 16.9)
<b>Standard legrest (set)</b>		
Lower leg length (with compressed seat cushion)	mm	360 - 530
Knee angle*	°	70
Ankle angle	°	0 - 180
<b>Manually and electrically elevating legrest (set)</b>		
Lower leg length (with compressed seat cushion)	mm	360 - 540
Knee angle*	°	10 - 80
Ankle angle	°	0 - 180
Calf support height	mm	120
<b>Headrest</b>		
Headrest height (memory)	mm	170
Headrest depth	mm	180
Headrest vertical angle	°	-45 - 45
Headrest width, standard headrest (option)	mm	-20 - 20
Headrest width, width adjustable headrest (option)	mm	-110 - 110
<b>Controller bracket</b>		
Controller bracket height	mm	60
Controller bracket depth	mm	35
<b>Controller bracket swing away</b>		
Controller bracket height	mm	50
Controller bracket depth	mm	35
Controller position angle	°	0 - 45
<b>Pushbar</b>		
Pushbar height	mm	185

Description	Unit	Values
<b>Hemiplegia</b>		
Hemiplegia armrest angle (option)	°	0 - 45
<b>Abduction support</b>		
Abduction support height	mm	60 - 120
Abduction support depth	mm	60 - 110
<b>Thoracic support</b>		
Thoracic support width	mm	-60 - 0
Thoracic support height	mm	200 - 400
Thoracic support depth	mm	20 - 70

\* = 0 ° legs straight ahead and 90 ° = legs in a right angle down

## 10 Labelling

### 10.1 Indications on the seating system

Markings used on the seating system (figure 82):

1. The wheelchair must not be lifted up by the armrests assembly, complete and/or legrests.
2. The stability of the wheelchair is influenced by the adjustment of the seating system's centre of gravity. Such adjustments should be made by professionals only.

1




2



## 11 Provisions of warranty

The provisions of warranty and liability applicable to the seating system are identical to those incorporated in the wheelchair manual.

( Wheelchair)



CA  
Distributed in Canada by:  
Sunrise Medical Canada Inc.  
237 Romina Drive, Unit 3  
Concord, ON  
L4K 4V3, Canada  
T: +1 800 263 3390  
E: [mktcanada@sunmed.com](mailto:mktcanada@sunmed.com)  
[www.SunriseMedical.ca](http://www.SunriseMedical.ca)



NL  
Sunrise Medical HCM B.V.  
Vossenbeemd 104  
5705 CL Helmond  
The Netherlands  
T: +31 (0)492 593 888  
E: [customerservice@sunrisemedical.nl](mailto:customerservice@sunrisemedical.nl)  
[www.SunriseMedical.nl](http://www.SunriseMedical.nl)  
[www.SunriseMedical.eu](http://www.SunriseMedical.eu) (International)

UK  
Sunrise Medical  
Thorns Road  
Brierley Hill  
West Midlands  
DY5 2LD  
United Kingdom  
T: +44 (0) 845 605 66 88  
E: [enquiries@sunmed.co.uk](mailto:enquiries@sunmed.co.uk)  
[www.SunriseMedical.co.uk](http://www.SunriseMedical.co.uk)

Dealer / distributor:

Serial number:



OM\_Sedeo\_Lite\_Pro\_EU\_EN\_RevG\_2016\_05\_03