

2017/18

ottobock.

Item Price - £1983.00	Order no.: -----
-----------------------	-------------------------

<input type="checkbox"/> Provide estimate only	<input type="checkbox"/> Order
Billing address/customer number	
Delivery address	
Sales person	Name Date Signature
<p>By placing the order, you agree to comply with the instructions for use/service manuals for accessories and products of other manufacturers when combining them with an Ottobock product, in addition to the instructions for use/service manuals of the respective Ottobock products. Also you confirm to have read, understood and accepted, our general terms and conditions. In addition, you agree, upon placing an order, to conduct your own conformity assessment or approval in accordance with national requirements if and when you implement modifications or attachments that do not meet the specifications of Ottobock instructions for use/service manuals.</p>	

Voyager Evo

Rigid-frame active wheelchair

Article number: 480A76=00000_K



Standard equipment

- Custom-made rigid-frame wheelchair
- Rigid axle
- High-strength aluminium frame
- Impact-resistant anodised frame
- Fixed backrest
- Aluminium light footrest, fixed
- Aluminium side panels
- Rear wheels with quick-release axles
- Knee lever wheel lock

Load capacity:

- Aluminium frame – 100 kg
- Carbon fibre frame – 100 kg
- Titanium frame – 140 kg

Technical modifications and printing errors reserved.

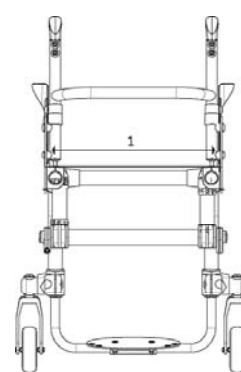
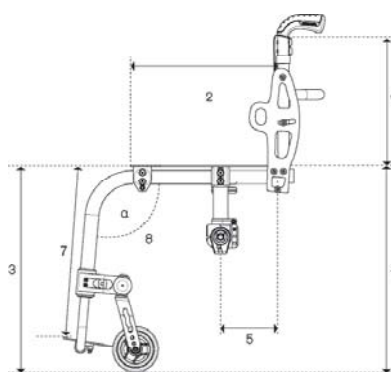
© Ottobock VOYAGER_EVO_647F455=EN-22 - February 2017 - v1

Wheelchair measurements*

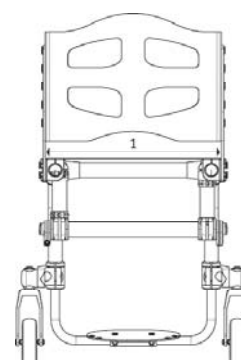
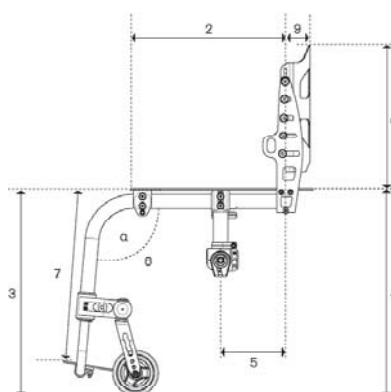
- 1 Seat width (SW)
= distance between the side panels
- 2 Seat depth (SD)
= front of seat upholstery to centre of the lower screw on the back bracket
- 3 Anterior seat height (ASH)
= ground to top of seat upholstery
- 4 Posterior seat height (PSH)
= ground to top of seat upholstery
- 5 Tipping point
= distance between centre of axle and centre of the lower screw of the back bracket
- 6 Back height (BH)
= top of seat tube to top of back upholstery
- 7 Lower leg length (LL)
= top of seat upholstery to top of footplate (without seat cushion)
- 8 Front frame angle
= angle between seat tube and front frame
- 9 Measurement Back (only for MD 13 and MD 14)
= approx. 5 cm distance between centre of the lower screw on the back bracket and the centre of the solid back plate without cushion

* This information will help to support user-oriented settings and product development. Ottobock guarantees the confidential and purely internal use of these data.

Measurements for version with backupholstery



Measurements for version with fixed back



Wheelchair settings (in increments of 1 cm)			
Weight of the user kg		
1 Seat width (SW) cm (28 ... 46 cm)		
2 Seat depth (SD) cm (36 ... 52 cm)		
3 Anterior seat height (ASH) cm (44 ... 53 cm)		
4 Posterior seat height (PSH) cm (38 ... 48 cm)		
5 Tipping point cm (5 ... 10 cm)		
6 Back height (BH) cm (20 ... 50 cm)		
7 Lower leg length (LL) cm (12 ... 46 cm) without seat cushion		
8 Front frame angle:			
MA 20	<input type="checkbox"/>	75°	Inclusive
MA 21	<input type="checkbox"/>	85°	Inclusive
MA 05	<input type="checkbox"/>	90°	Inclusive
MA 19	<input type="checkbox"/> ° (in 1°-steps; 75° ... 90°)*	£71.00
* only in combination with MA 08			

Design			
Connectors			
MA	<input type="checkbox"/>	Aluminium	Inclusive
MA 28	<input type="checkbox"/>	Magnesium (load capacity 100 kg)	£1428.00
Frame tube			
MA 08	<input type="checkbox"/>	Aluminium	Inclusive
MA 12	<input type="checkbox"/>	Carbon (available only with 85° front frame angle and 2 cm offset)	£397.00
MA 24	<input type="checkbox"/>	Titanium (available only with 75° and 85° front frame angle and up to 2 cm offset)	£617.00

Axle			
MA 09	<input type="checkbox"/>	Aluminium	Inclusive
MA 13	<input type="checkbox"/>	Carbon	£141.00
MA 25	<input type="checkbox"/>	Titanium	£346.00
Stabilizer			
MA 10	<input type="checkbox"/>	Aluminium	Inclusive
MA 17	<input type="checkbox"/>	Carbon	£94.00
MA 26	<input type="checkbox"/>	Titanium	£317.00
Seat height spacer			
MA 11	<input type="checkbox"/>	Aluminium	Inclusive
MA 18	<input type="checkbox"/>	Carbon	£84.00
MA 27	<input type="checkbox"/>	Titanium	£107.00
Abduction/offset			
MA 14	<input type="checkbox"/>	0 cm, offset	Inclusive
MA 15	<input type="checkbox"/>	2 cm, offset	Inclusive
MA 16	<input type="checkbox"/>	4 cm, offset	Inclusive
MA 30	<input type="checkbox"/>	2 cm, abduction	Inclusive
MA 31	<input type="checkbox"/>	4 cm, abduction	Inclusive
Frame accessories			
MA 51	<input type="checkbox"/>	Tip-assist, right	£92.00
MA 52	<input type="checkbox"/>	Tip-assist, left	£92.00
MA 55	<input type="checkbox"/>	Anti-tipper, right	£162.00
MA 56	<input type="checkbox"/>	Anti-tipper, left	£162.00
Frame options			
MA 23	<input type="checkbox"/>	Front frame extension (approx. 4 cm)	£71.00
MA 91	<input type="checkbox"/>	Back frame extension <input type="checkbox"/> 5 cm <input type="checkbox"/> 10 cm	£71.00
Caster wheels		(dimensions in mm)	
MF 02	<input type="checkbox"/>	4" solid rubber, grey	(100 × 32) Inclusive
MF 21	<input type="checkbox"/>	4" luminous caster	(100 × 24) £46.00
MF 35	<input type="checkbox"/>	4" soft caster, aluminium	(100 × 38) £109.00
MF 03	<input type="checkbox"/>	5" solid rubber, grey	(125 × 32) Inclusive
MF 36	<input type="checkbox"/>	5" soft caster, aluminium	(125 × 38) £109.00
Rear wheel size			
MG 01	<input type="checkbox"/>	22"	Inclusive
MG 02	<input type="checkbox"/>	24"	Inclusive
MG 03	<input type="checkbox"/>	25"	Inclusive
Axle with camber			
MG 40	<input type="checkbox"/>	0°	Inclusive
MG 41	<input type="checkbox"/>	3°	Inclusive
MG 42	<input type="checkbox"/>	6°	Inclusive

Rear wheel rim			
MG 06	<input type="checkbox"/>	Hollow rims	Inclusive
MG 10	<input type="checkbox"/>	Spinergy SPOX (cannot be combined with MG 01)	£380.00
MG 11	<input type="checkbox"/>	Spinergy LX (cannot be combined with MG 01)	£554.00
MG 15	<input type="checkbox"/>	Infinity Ultralight	£104.00
MG 22	<input type="checkbox"/>	Topolino WX Carbon	£870.00

Tyres			
MG 31	<input type="checkbox"/>	Schwalbe RightRun, 1"	Inclusive
MG 33	<input type="checkbox"/>	Schwalbe DownTown 1" (available only in combination with MG 02)	£29.00
MG 37	<input type="checkbox"/>	Schwalbe Marathon Plus Evolution 1"	£42.00

Push rings			
MG 52	<input type="checkbox"/>	Aluminium, silver anodised, high	Inclusive
MG 53	<input type="checkbox"/>	Aluminium, silver anodised, low	£37.00
MG 54	<input type="checkbox"/>	Rubber-coated, high	£86.00
MG 56	<input type="checkbox"/>	Stainless steel, polished, high	£40.00
MG 57	<input type="checkbox"/>	Stainless steel, polished, low	£40.00
MG 58	<input type="checkbox"/>	Titanium, polished, high	£271.00
MG 61	<input type="checkbox"/>	The Surge	£180.00
MG 62	<input type="checkbox"/>	MaxGrepp Original	£191.00
MG 63	<input type="checkbox"/>	Curve L (anodised)	£279.00
MG 64	<input type="checkbox"/>	Curve L Grip	£302.00
MX 27	<input type="checkbox"/>	Natural fit, regular grip	£161.00

Push ring mounting			
MG 70	<input type="checkbox"/>	Narrow mounting position	
MG 71	<input type="checkbox"/>	Wide mounting position	

Rear wheel accessories			
MG 87	<input type="checkbox"/>	High-pressure air pump, 14 bar	£81.00

Wheel locks			
MH 01	<input type="checkbox"/>	Knee lever wheel lock, standard	Inclusive
MH 05	<input type="checkbox"/>	Scissor wheel lock Outfront	£176.00
MH 13	<input type="checkbox"/>	Wheel lock, long lever	£262.00
MH 02	<input type="checkbox"/>	Wheel lock, short lever	Inclusive
MH 21	<input type="checkbox"/>	Wheel lock, long lever, fold-away	£124.00
MH 22	<input type="checkbox"/>	Wheel lock, short lever, fold-away	£124.00

Back system			
MD 11	<input type="checkbox"/>	Back, foldable onto the seat surface	£187.00
MD 12	<input type="checkbox"/>	Fixed back	Inclusive

9 Back upholstery			
MD 13	<input type="checkbox"/>	Solid back plate, aluminium, padded	Inclusive
MD 14	<input type="checkbox"/>	Solid back plate, carbon, padded	£793.00
MD 03	<input type="checkbox"/>	Adaptable, padded	£90.00
MD 05	<input type="checkbox"/>	Adaptable, high-frequency welded,	Inclusive
MD 72	<input type="checkbox"/>	Adaptable, breathable with spacer fabric	£142.00

Push handles (optional)			
MD 50	<input type="checkbox"/>	Short	£29.00
MD 51	<input type="checkbox"/>	Long	£17.00
MD 52	<input type="checkbox"/>	Telescoping, long (with MD 03 from RH 26)	£25.00
MD 53	<input type="checkbox"/>	Telescoping, short (with MD 03 from BH 26)	£56.00
MD 56	<input type="checkbox"/>	Fold-down (with MD 03 from BH 26 cm)	£82.00
MD 59	<input type="checkbox"/>	Without	Inclusive

Side panels			
	<input type="checkbox"/>	Without	Inclusive
ME 01	<input type="checkbox"/>	Standard, aluminium	Inclusive
ME 12	<input type="checkbox"/>	Standard, carbon	£235.00
ME 14	<input type="checkbox"/>	Carbon clothing protector side panel, assembled*	£1058.00
ME 16	<input type="checkbox"/>	Carbon clothing protector side panel, not assembled	£550.00

*Remaining centre of gravity adjustment possibilities are limited

Side panel accessories (available only in combination with ME 01)			
ME 13	<input type="checkbox"/>	ABS clothing protector, assembled*	£701.00
ME 15	<input type="checkbox"/>	ABS clothing protector, not assembled	£187.00

*Remaining centre of gravity adjustment possibilities are limited

Armrest			
ME 50	<input type="checkbox"/>	Padded, swing-away, different height setting options	£351.00

Seat upholstery			
MC 14	<input type="checkbox"/>	Upholstery, adaptable	£282.00
MC 19	<input type="checkbox"/>	Solid seat plate, aluminium	Inclusive
MC 27	<input type="checkbox"/>	Solid seat plate, carbon	£600.00

Seat cushion			
MC 01	<input type="checkbox"/>	Standard <input type="checkbox"/> 3 cm <input type="checkbox"/> 5 cm	£71.00
MC 02	<input type="checkbox"/>	Cubic Foam seat cushion (thickness 5 cm)	£76.00
MC 05	<input type="checkbox"/>	EvoLight seat cushion (thickness 6 cm, up to 125 kg)	£143.00
MC 20	<input type="checkbox"/>	Terra seat cushion (thickness 10 cm)	£149.00
MC 21	<input type="checkbox"/>	Terra Aquos seat cushion (thickness 10 cm)	£168.00
MC 22	<input type="checkbox"/>	Terra Flair seat cushion (thickness 10 cm)	£310.00
MC 23	<input type="checkbox"/>	Cloud seat cushion (thickness 10 cm)	£416.00
MC 24	<input type="checkbox"/>	Advantage seat cushion (thickness 10 cm, up to 125 kg)	£403.00
MC 25	<input type="checkbox"/>	Z-Flo seat cushion (thickness 7 cm)	£171.00
MC 08	<input type="checkbox"/>	Without	Inclusive

Footrests			
MB 03	<input type="checkbox"/>	Single-panel footrest, angle-adjustable, aluminium footplate* (LL 30–46 cm)	£115.00
MB 02	<input type="checkbox"/>	Single-panel footrest, angle-adjustable, carbon footplate* (LL 30–46 cm)	£197.00
MB 12	<input type="checkbox"/>	Single-panel footrest, angle-/depth-adjustable, aluminium footplate* (LL 12–43 cm)	£154.00
MB 13	<input type="checkbox"/>	Single-panel footrest, angle-/depth-adjustable, carbon footplate* (LL 12–43 cm)	£235.00
MB 06	<input type="checkbox"/>	Aluminium light, fixed* (LL 30–46 cm)	Inclusive

* LL can be selected in dependence of wheel size, seat width and anterior seat height.

Footrest accessories			
MB 71	<input type="checkbox"/>	Leg fixation (calf strap)	£9.00
MB 74	<input type="checkbox"/>	Non-slip surface	£49.00

Frame colours (only in combination with MA 08)			
039	<input type="checkbox"/>	Black, matte anodised	Inclusive
040	<input type="checkbox"/>	Anthracite, matte anodised	£105.00
041	<input type="checkbox"/>	Gold, matte anodised	£105.00
042	<input type="checkbox"/>	Blue, matte anodised	£105.00
043	<input type="checkbox"/>	Orange, matte anodised	£105.00
044	<input type="checkbox"/>	Green, matte anodised	£105.00
045	<input type="checkbox"/>	Violet, matte anodised	£105.00
046	<input type="checkbox"/>	Red, matte anodised	£105.00

Spoke protectors			
MG 90	<input type="checkbox"/>	transparent	£104.00
MG 100	<input type="checkbox"/>	Graphic Dekor	£153.00
MG 101	<input type="checkbox"/>	Miracle Dekor	£153.00
MG 102	<input type="checkbox"/>	Network Dekor	£153.00
MG 103	<input type="checkbox"/>	Robots Dekor	£153.00
MG 104	<input type="checkbox"/>	Spectrum Dekor	£153.00

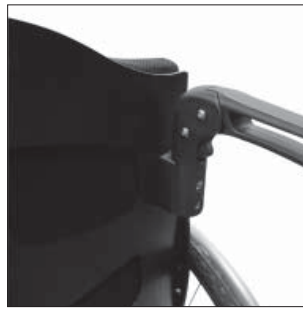
Special accessories			
MZ 52	<input type="checkbox"/>	Tool kit	£31.00
MZ 58	<input type="checkbox"/>	Rear wheel bag	£79.00
MZ 59	<input type="checkbox"/>	Pocket for mobile phone	£21.00
MZ 89	<input type="checkbox"/>	Protection for quick-release-axle	£4.00
MZ 92	<input type="checkbox"/>	WheelBlades	£312.00
MZ 93	<input type="checkbox"/>	Wheelchair backpack	£45.00
MZ 94	<input type="checkbox"/>	Bag for catheter	£401.00

Once printed this document is an uncontrolled version. Always check the download centre on our website ensure you have the most up to date version of this document.

Information



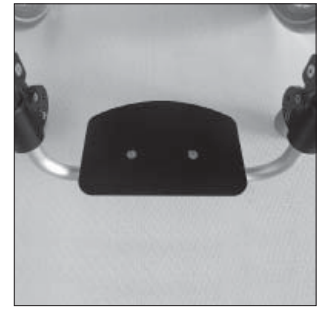
MD 53 Push handles, telescoping, short



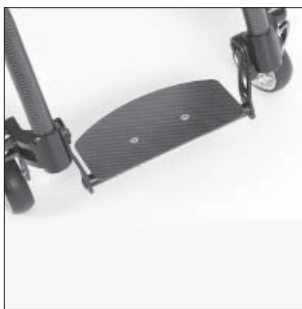
MD 56 fold-down push handles at fixed back (solid back plate aluminium)



MB 06 footrest aluminium light, fixed



MB 03 Single-panel footrest, angle-adjustable, aluminium footplate



MB 13 Single-panel footrest, angle-/depth-adjustable, carbon footplate

Clear width Evo footplate (MB 12 and MB 13)					
seat width [cm]	abduction [cm]			offset [cm]	
	0	2	4	2	4
28	-	-	-	18,8	22,8
29	15,8	-	-	19,8	23,8
30	16,8	-	-	20,8	24,8
31	17,8	-	-	21,8	25,8
32	18,8	-	-	22,8	26,8
33	19,8	15,8	-	23,8	27,8
34	20,8	16,8	-	24,8	28,8
35	21,8	17,8	-	25,8	29,8
36	22,8	18,8	-	26,8	30,8
37	23,8	19,8	15,8	27,8	31,8
38	24,8	20,8	16,8	28,8	32,8
39	25,8	21,8	17,8	29,8	33,8
40	26,8	22,8	18,8	30,8	34,8
41	27,8	23,8	19,8	31,8	35,8
42	28,8	24,8	20,8	32,8	36,8
43	29,8	25,8	21,8	33,8	37,8
44	30,8	26,8	22,8	34,8	38,8
45	31,8	27,8	23,8	35,8	39,8
46	32,8	28,8	24,8	36,8	40,8

