

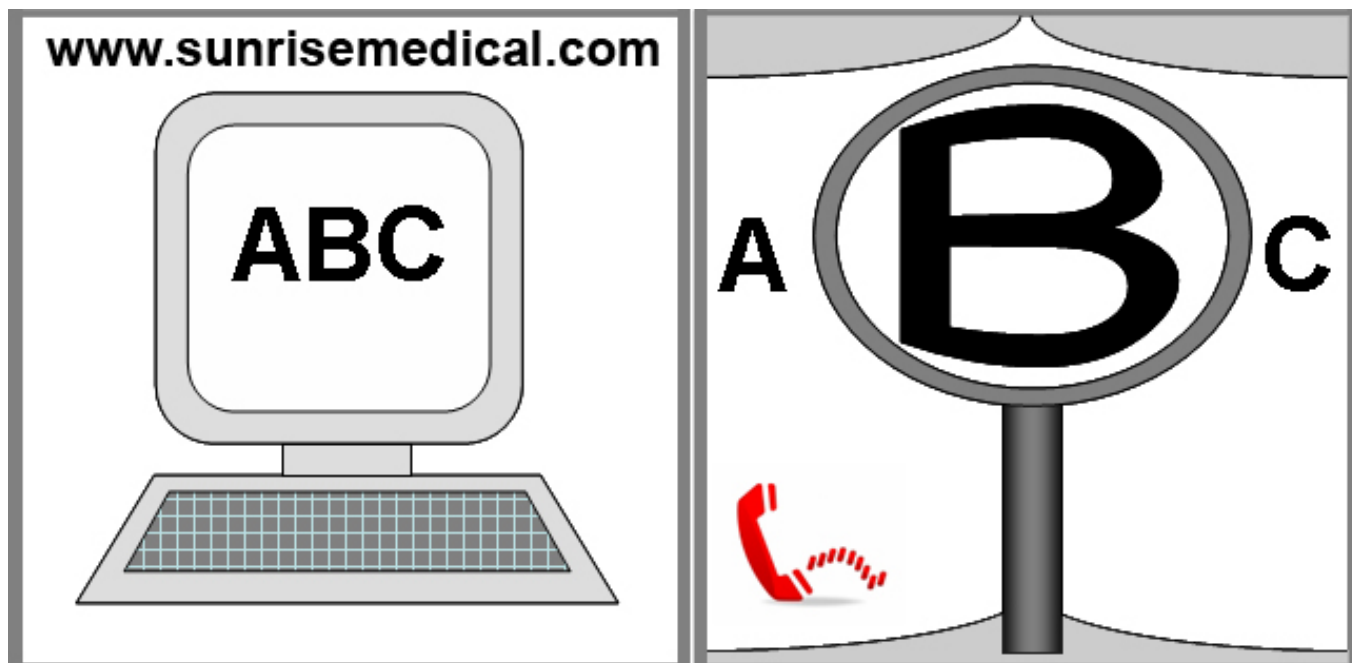
WHEELCHAIR
ROLLSTUHL
FAUTEUIL ROULANT
ROLSTOEL
SILLA DE RUEDAS
CADEIRA DE RODAS
CARROZZINA
PYÖRÄTUOLI
WÓZEK INWALIDZKI
RULLSTOL
RULLESTOL
INVALIDNÍ VOZÍK
KØRESTOLE



BasiX²

DIRECTIONS FOR USE
GEBRAUCHSANWEISUNG
NOTICE D'UTILISATION
GEBRUIKERSHANDLEIDING
MANUAL DE USARIO
INSTRUÇÕES PARA UTILIZAÇÃO
MANUALE D'USO
KÄYTTÖOHJEET
INSTRUKCJA UŻYTKOWANIA
BRUKSANVISNING
BRUKERVEILEDNING
NÁVOD K OBSLUZE
BRUGSANVISNING

 **Breezy[®]**




Wheelchair Components

EN 

We at SUNRISE MEDICAL have been awarded the ISO-9001 certificate, which affirms the quality of our products at every stage, from R & D to production. This products meet the requirements in accordance with EC guidelines. Options or accessories shown are available at extra cost.

Rollstuhlkomponenten

DE 

SUNRISE MEDICAL ist nach ISO 9001 zertifiziert und garantiert damit die Qualität unserer Produkte bei allen Entwicklungs- und Produktionsstufen dieses Rollstuhls. Dieses Produkt erfüllt die Anforderungen gemäß der EU-Richtlinien. Hier abgebildete Optionen oder Zubehörteile sind gegen Aufpreis erhältlich.

Description du fauteuil

FR 

SUNRISE MEDICAL est certifié ISO -9001, une norme qui garantit la qualité des produits à toutes les étapes, de la conception à la production, en passant par la recherche et le développement.

Ce produit est conforme aux directives de la Communauté européenne. Les options ou accessoires illustrés sont disponibles moyennant un coût supplémentaire.

Rolstoelonderdelen

NL 

SUNRISE MEDICAL heeft het ISO 9001 certificaat toegekend gekregen, een bewijs van de kwaliteit van onze processen in elk stadium, vanaf het onderzoek en de ontwikkeling tot de productie.

Deze producten voldoen aan de vereisten in overeenstemming met Europese richtlijnen. Getoonde opties en accessoires zijn tegen betaling verkrijgbaar.

Componentes de la silla

ES 

SUNRISE MEDICAL ha obtenido el certificado de calidad ISO 9001, el cual confirma la calidad de sus productos en todo momento, desde el inicio del proceso de desarrollo del producto, hasta su posterior producción.

Este producto cumple con los requisitos establecidos por la CE. Los accesorios y opciones están disponibles con un coste adicional.

Componentes da Cadeira de Rodas

PT 

Aqui, na SUNRISE MEDICAL, recebemos o Certificado ISO 9001, que confirma a qualidade dos nossos produtos em todas as fases desde a pesquisa e desenvolvimento até ao fabrico.

Estes produtos satisfazem os requisitos de acordo com as directrizes da CE. As opções e acessórios estão disponíveis sem custo extra.

Componenti della carrozzina

IT 

SUNRISE MEDICAL è certificata ISO 9001 a garanzia della qualità dei nostri prodotti in ogni fase del processo, dalla ricerca e sviluppo sino alla produzione. Questo prodotto è conforme ai requisiti delle linee guida CE.

Gli optional e gli accessori sono disponibili pagando un sovrapprezzo.

Pyörätuolin osat

FI 

SUNRISE MEDICALille on myönnetty ISO-9001-serfikaatti, joka takaa tuotteidemme korkean laadun kaikissa tuotantovaiheissa suunnittelusta valmistukseen.

Tuotteemme täyttävät EY-vaatimukset. Esitetyt lisälaitteet ja -varusteet ovat saatavilla lisämaksusta.

Elementy wózka inwalidzkiego

PO 

Firma SUNRISE MEDICAL posiada certyfikat ISO 9001, który potwierdza wysoką jakość naszych produktów na każdym etapie ich powstawania, od opracowywania nowych rozwiązań po fazę produkcji.

Produkty te spełniają wymagania zgodne z wytycznymi UE. Dodatkowe wyposażenie i akcesoria dostępne za dodatkową opłatą.

Rullstolens delar

SV



SUNRISE MEDICAL innehar ett ISO 9001-certifikat, vilket säkerställer våra produkters kvalitet i varje led från FoU till produktion. Dessa produkter uppfyller kraven i enlighet med EU:s riktlinjer. Tillval eller tillbehör finns tillgängliga till extra kostnad.

Deler på rullestolen

NO



SUNRISE MEDICAL er ISO 9001-akkreditert, noe som garanterer kvalitet innen alle områder av konstruksjon og produksjon av denne rullestolen. Denna produkt overholder kravene i retningslinjene fra EU. Vist utstyr og tilbehør kan fås direkte på stol eller etterbestilles.

Součásti invalidního vozíku

CZ



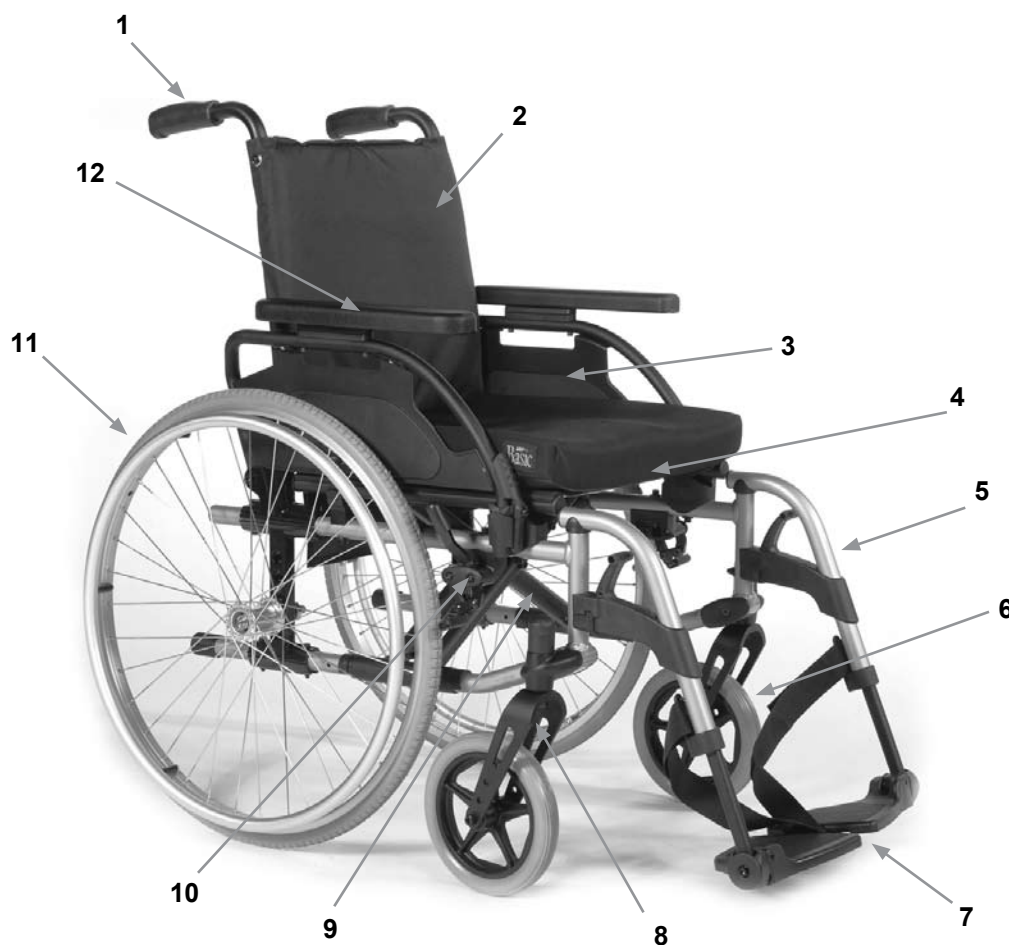
Společnosti SUNRISE MEDICAL byl udělen certifikát ISO 9001, potvrzující kvalitu našich výrobků ve všech stádiích, od výzkumu a vývoje až po výrobu. Tento produkt splňuje požadavky v souladu se směrnicemi ES. Uvedené varianty a příslušenství jsou k dispozici za příplatek.

Kørestolskomponenter

DK



SUNRISE MEDICAL er godkendt i henhold til ISO-9001, som bekræfter kvaliteten af vores produkter på alle stadier, lige fra udvikling til produktion. Dette produkt opfylder kravene i overensstemmelse med retningslinjerne fra EU. Det viste ekstraudstyr eller tilbehør kan købes mod tillægspris.



WHEELCHAIR:

1. PUSH HANDLES
2. BACKREST UPHOLSTERY
3. SIDEGUARD
4. SEAT SLING
5. FOOTREST
6. CASTORS
7. FOOTPLATES
8. CASTOR FORK
9. FOLDING FRAME
10. WHEEL LOCKS
11. REAR WHEEL
12. ARM PAD



ROLLSTUHL:

1. SCHIEBEGRIFFE
2. RÜCKENPOLSTER
3. SEITENTEIL
4. SITZGURT
5. FUSSSTÜTZE
6. LENKROLLEN
7. FUSSPLATTE
8. LENKRADGABEL
9. KREUZSTREBE
10. BREMSE
11. HINTERRAD
12. ARMAUFLAGE



FAUTEUIL ROULANT :

1. POIGNEES DE POUSSÉE
2. TOILE DE DOSSIER
3. PROTÈGE-VÊTEMENT
4. TOILE D' ASSISE
5. REPOSE-PIED
6. ROUES AVANT
7. PALETTES
8. FOURCHE
9. CADRE PLIANT
10. FREINS
11. ROUE ARRIÈRE
12. MANCHETTE



ROLSTOEL:

1. DUWHANDVATTEN
2. SPANBANDEN RUG
3. ZIJKANTEN
4. ZITBEKLEDING
5. VOETSTEUN
6. VOORWIELEN
7. VOETPLATEN
8. VOORVORK
9. VOUWFRAME
10. REMMEN
11. ACHTERWIEL
12. ARMKUSSEN

**SILLA DE RUEDAS:**

1. EMPUÑADURAS
2. TAPICERÍA DEL RESPALDO
3. PROTECTOR LATERAL
4. TAPICERÍA DEL ASIENTO
5. REPOSAPIÉS
6. RUEDAS DELANTERAS
7. PLATAFORMAS REPOSAPIÉS
8. HORQUILLA
9. ARMAZÓN PLEGABLE
10. FRENOS
11. RUEDA TRASERA
12. ALMOHADILLADO

**CADEIRA DE RODAS**

1. PUNHOS DE EMPURRAR
2. ESTOFO DO ENCOSTO
3. PROTECÇÃO LATERAL
4. CORREIA DO ASSENTO
5. APOIO DE PÉS
6. RODAS
7. APOIOS PARA PÉS
8. CASTOR FORQUETA
9. ESTRUTURA REBATÍVEL
10. DISPOSITIVOS DE BLOQUEIO DAS RODAS
11. RODA TRASEIRA
12. ARMAÇÃO DO BRAÇO

**CARROZZINA:**

1. MANIGLIE DI SPINTA
2. TELO SCHIENALE
3. SPONDINA
4. TELO SEDUTA
5. ANGOLO PEDANA
6. RUOTE ANTERIORI
7. APPOGGIAPIEDI
8. FORCELLA DELLA RUOTA ANTERIORE
9. TELAIO PIEGHEVOLE
10. FRENI
11. RUOTA POSTERIORE
12. IMBOTTITURA BRACCIOLO

**PYÖRÄTUOLI:**

1. TYÖNTÖKAHVAT
2. SELKÄNOJAN VERHOILU
3. SIVULAI DAT
4. ISTUINVERHOILU
5. JALKATUKI
6. TUKIPYÖRÄT
7. JALKALAUDAT
8. TUKIPYÖRÄN HAARUKKA
9. TAITTUVA RUNKO
10. JARRUT
11. KULJETUSPYÖRÄ
12. KYYNÄRNOJA

**WÓZEK INWALIDZKI**

1. UCHWYTY DO POPYCHANIA
2. TAPICERKA OPARCIA
3. OSŁONA BOCZNA
4. ZAWIESIE SIEDZISKA
5. PODNÓZEK
6. KÓŁKA
7. SAMONASTAWNE
8. WIDELEC KOŁA PRZEDNIEGO
9. SKŁADANA RAMA
10. BLOKADY KÓŁ
11. TYLNE KOŁO
12. PODKŁADKA PODŁOKIETNIKA

**RULLSTOL:**

1. KÖRHÄNDTAG
2. RYGGKLÄDSEL
3. SIDOSKYDD
4. HÄNGMATTESITS
5. BENSTÖD
6. LÄNKHJUL
7. FOTPLATTOR
8. LÄNKHJULSGAFFEL
9. HOPFÄLLBAR RAM
10. BROMSAR
11. DRIVHJUL
12. ARMSTÖD

**RULLESTOL:**

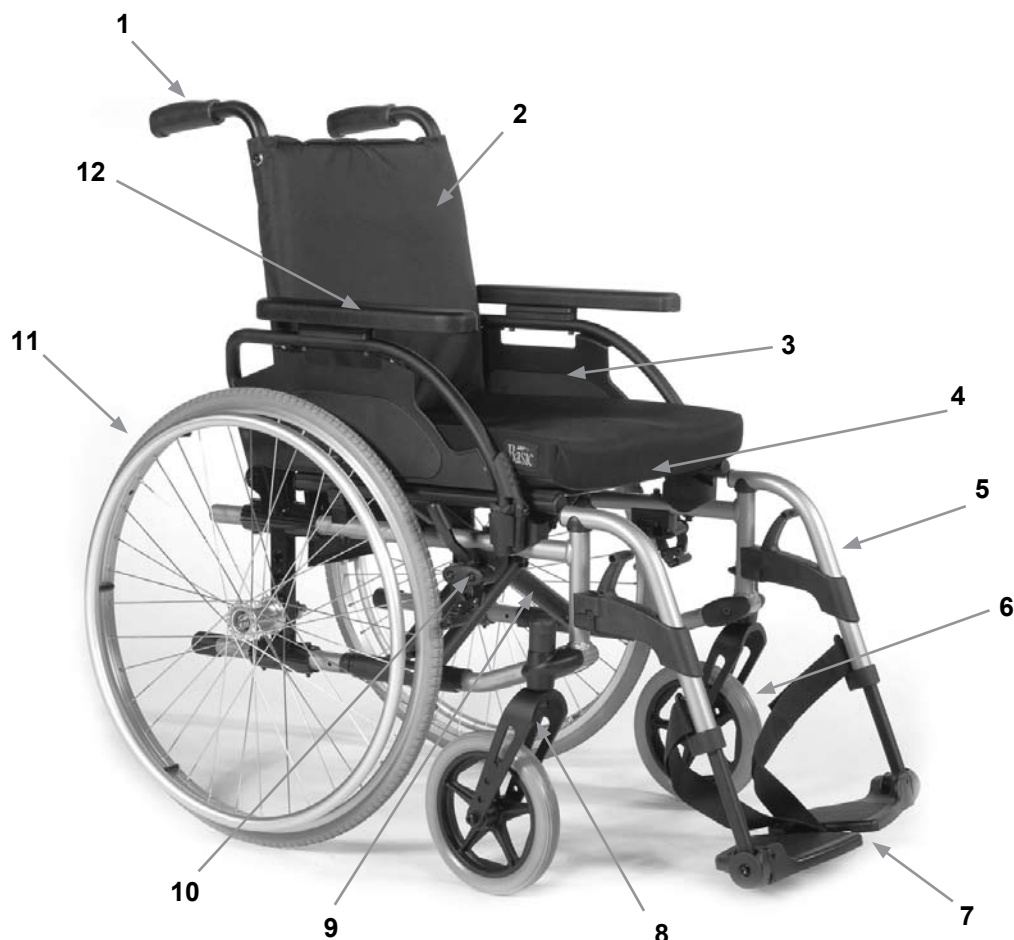
1. KJØREHÄNDTAK
2. RYGGTREKK
3. KLESBESKYTTER
4. SETETREKK
5. BENSTØTTE
6. SVINGHJUL
7. FOTPLATER
8. SVINGHJULSGAFFEL
9. SAMMENLEGGBARE RAMME
10. BREMSER
11. BAKHJUL
12. ARMLENSPUTE

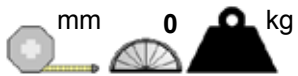
**INVALIDNÍ VOZÍK:**

1. RUKOJETI PRO TLAČENÍ
2. ČALOUNĚNÍ ZÁDOVÉ OPĚRKY
3. BOČNICE
4. POTAH SEDADLA
5. STUPAČKA
6. KOLEČKA
7. STUPÁTKA
8. VIDLICE PŘEDNÍHO KOLEČKA
9. SKLÁDACÍ RÁM
10. BRZDY
11. ZADNÍ KOLO
12. PODRUČKA

**KØRESTOLE:**

1. SKUBBEHÄNDTAG
2. RYGLÆNSPOLSTRING
3. SIDESTYKKER
4. SÆDEPOLSTRING
5. FODSTØTTE
6. SVINGHJUL
7. FODPLADE
8. FORGAFFEL
9. QUICK-RELEASE-AKSEL
10. BREMSER
11. DRIVRING
12. BAGHJUL





	1100 ↕ 770		720 ↕ 570		950 ↕ 900		500 ↕ 350
	505 ↕ 425		460 ↕ 410		240 ↕ 220		530 ↕ 490
	460 ↕ 410		520 ↕ 380		1060 ↕ 770		300 ↕ 240
	850 ↕ 800		340 ↕ 280		+500 ↕ -500		MAX mm ↕ MIN mm
	10° ↕ 0°		10° ↕ 0°		10° ↕ 0°		MAX ↕ MIN
	0° ↕ 0°		80° ↕ 74°		118° ↕ 118°		MAX ↕ MIN
	8,4 ↕ 8,4		17,3 ↕ 14,9		125 ↕ ---		MAX kg ↕ MIN kg

Foreword

Dear Customer,

We are very happy that you have decided in favour of a high-quality SUNRISE MEDICAL product.

This user's manual will provide numerous tips and ideas so that your new wheelchair can become a trustworthy and reliable partner in your life.

We want you to be satisfied with our products and service. Sunrise Medical has been consistently working at continuously developing its products, for this reason, changes can occur in our palette of products with regard to form, technology and equipment. Consequently, no claims can be construed from the data or pictures contained in this user's manual.

The management system of SUNRISE MEDICAL is certified to ISO 9001, ISO 13485 and ISO 14001.



As the manufacturer, **SUNRISE MEDICAL**, declares that the wheelchairs conform to the 93/42/EEC, amended by 2007/47/EC guideline.

In addition, they fulfil the performance requirements for the "Crash Test" to ISO 7176-19

Please contact your local, authorised SUNRISE MEDICAL dealer if you have any questions regarding the use, maintenance or safety of your wheelchair.

In case there is no authorised dealer in your area or you have any questions, contact Sunrise Medical either in writing or by telephone (contact addresses can be found on the back page).

Sunrise Medical Limited
High Street Wollaston
West Midlands DY8 4PS
England
Tel.: +44 (0) 1384446688
www.sunrisemedical.com

Please keep a note of your local service agent's address and telephone number in the space below.

In the event of a breakdown, contact them and try to give all relevant details so they can help you quickly.



IMPORTANT:
DO NOT USE YOUR WHEELCHAIR UNTIL THIS MANUAL HAS BEEN READ AND UNDERSTOOD.

Symbol legend



DANGER!

Warning messages regarding possible risks of serious accident or death.



WARNING!

Warning messages regarding possible risks of injury.



CAUTION!

Warning messages regarding possible technical damage.

NOTE:

Information for operating the product.

Table of contents

Wheelchair Components	2
Wheelchair Components	3
Wheelchair Components	3
Wheelchair Components	3
Foreword	6
Symbol legend	6
Table of contents	6
Use	6
Area of application	6
General safety notes and driving restrictions	7
Warranty	8
Transportability	9
Handling	11
Options – Step Tubes	11
Options - Brakes	11
Options - Footplates	12
Options - Castors	12
Options - Castor Adapter	12
Options - Backrest	13
Options – Side guard	13
Options – Anti-Tip Tubes	14
Options – Lap belt	14
Options - Seat	15
Options – Seat depth	15
Options – Push handles	15
Options - Crutch holder	16
Options - Therapy Table	16
Options - Stabilising Bar	16
Options – Transit wheels	16
Name Plate	16
Tyres and mounting	17
Maintenance and care	17
Trouble shooting	17
Disposal / recycling of materials	17
Technical Data	18
Seat Height Adjustment	18
Torque	18

Use

Light-weight wheelchairs are exclusively for a user who is unable to walk or has limited mobility, for their own personal use in- and outdoor on dry, firm and level surface terrains (self propelling or attendant push).

The maximum weight limit (includes both the user and any weight of accessories fitted to the wheelchair) is marked on the serial number label, which is affixed to the crossbar or stabiliser bar below the seat.

Warranty can only be taken on if the product is used under the specified conditions and for the intended purposes.

The intended lifetime of the wheelchair is 5 years. DO NOT use or fit any 3rd party components to the wheelchair unless they are officially approved by Sunrise Medical.

Area of application

The variety of fitting variants as well as the modular design mean that it can be used by those who cannot walk or have limited mobility because of:

- Paralysis
- Loss of extremity (leg amputation)
- Extremity defect deformity
- Joint contractures/joint injuries
- Illnesses such as heart and circulation deficiencies, disturbance of equilibrium or cachexia as well as for elderly people who still have strength in the upper body.

When considering provision, please also note the body size, weight, physical and psychological constitution, the age of the person, living conditions and environment.

General safety notes and driving restrictions

The engineering and construction of this wheelchair has been designed to provide maximum safety. International safety standards currently in force have either been fulfilled or exceeded in parts. Nevertheless, users may put themselves at risk by improperly using their wheelchairs. For your own safety, the following rules must be strictly observed.

Unprofessional or erroneous changes or adjustments increase the risk of accident. As a wheelchair user, you are also part of the daily traffic on streets and pavements, just like anyone else. We would like to remind you that you are therefore also subject to any and all traffic laws.

Be careful during your first ride in this wheelchair. Get to know your wheelchair.

Before each use, the following should be checked:

- Fixed axles or Quick-release axles on the rear wheels.
- Velcro on seats and backrests
- Tyres, tyre pressure and wheel locks.

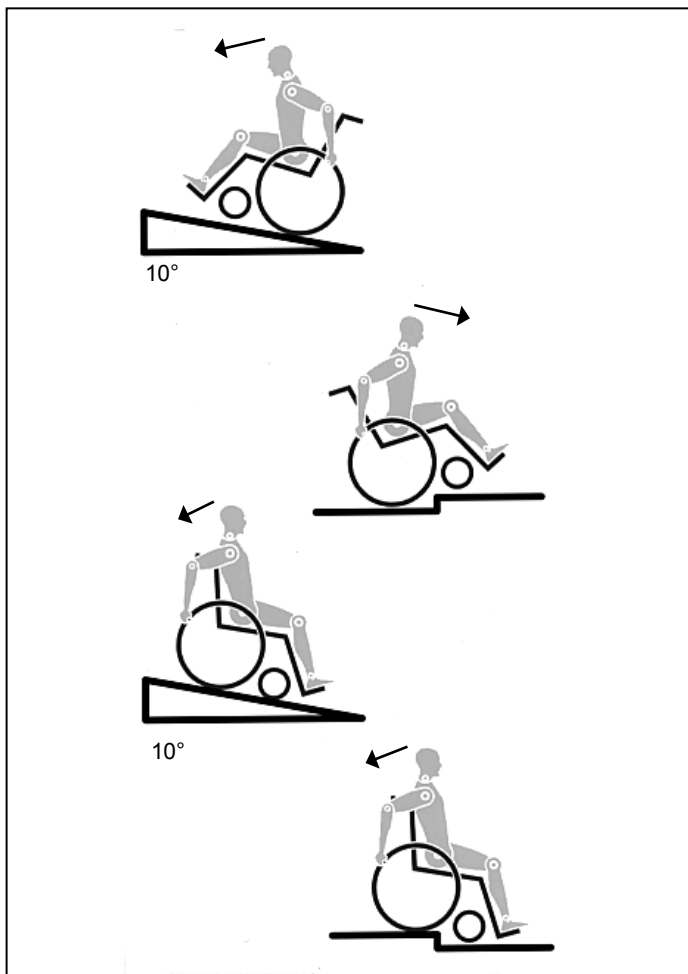
Before changing any of the adjustments of this wheelchair, it is important to read the corresponding section of the user's manual.

It is possible that potholes or uneven ground could cause this wheelchair to tip over, especially when riding uphill or downhill.

When riding forwards over a step or up an incline, the body should be leaning forward.

DANGER!

- NEVER exceed the maximum load of 125 kg for user plus any items carried on the wheelchair. If you exceed the maximum load, this can lead to damage to the chair, or you may fall or tip over, lose control and may lead to serious injury of the user and other people.
- When it is dark, please wear light clothing or clothing with reflectors, so that you can be seen more easily. Make sure that the reflectors on the side and back of the wheelchair are clearly visible.
- We would also recommend that you fit an active light.



DANGER!

- To avoid falls and dangerous situations, you should first practice using your new wheelchair on level ground with good visibility.
- When getting on or off the wheelchair, do not use the footboards.
- These should be flipped up beforehand and swung to the outside as far as possible. Always position yourself as close as possible to the place where you wish to transfer to.
- Only use your wheelchair with care. For example, avoid travelling against an obstacle without braking (step, kerb edge) or dropping down gaps.
- The wheel locks are not intended to stop your wheelchair in motion. They are only there to ensure that your wheelchair does not begin rolling unintentionally. When you stop on uneven ground, you should always use the wheel locks to prevent unintended movement. Always apply both wheel locks; otherwise, your wheelchair could tip over.
- Explore the effects of changing the centre of gravity on the behaviour of the wheelchair in use, for example on inclines, slopes, all gradients or when overcoming obstacles. Do this with the secure aid of a helper.
- With extreme settings (e.g. rear wheels in the most forward position) and less than perfect posture, the wheelchair may tip over even on a level surface.
- Lean your upper body further forward when going up slopes and steps.
- Lean your upper body further back when going down slopes and steps. Never try to climb and descend a slope diagonally.
- Avoid using an escalator which may lead to serious injury in the event of a fall.
- Do not use the wheelchair on slopes more than 10°. The Dynamic safe slope is dependant on the chair configuration, the users abilities and the style of riding. As the users abilities and style of riding cannot be predetermined then the max safe slope cannot be determined. Therefore this must be determined by the user with the assistance of an attendant to prevent tipping. It is strongly recommended that inexperienced users have Anti-tips fitted.
- It is possible that potholes or uneven ground could cause this wheelchair to tip over, especially when riding uphill or downhill.
- Do not use your wheelchair on muddy or icy ground.
- Do not use your wheelchair where pedestrians are not allowed.
- To avoid hand injuries do not grab in between the spokes or between the rear wheel and wheel lock when driving the wheelchair.
- In particular when using lightweight metal handrims, fingers will easily become hot when braking from a high speed or on long inclines.
- Only attempt stairs with the help of an attendant. There is equipment available to help you, e.g. climbing ramps or lifts, please use them. If there is no such equipment available, then the wheelchair must be tipped and pushed, never carried, over the steps (2 helpers). We recommend that users over 100 kg in weight are not transferred in this way. In general, any anti-tip tubes fitted must be set beforehand, so that they cannot touch the steps, as otherwise this could lead to a serious tumble. Afterwards the anti-tip tubes must be set back to their correct position.
- Make sure that the attendant only holds the wheelchair using securely mounted parts. Do not use removable parts (e.g. not on the footrests or the side guards).

DANGER!

- When using the lifting ramp make sure that the anti-tip tubes fitted are positioned outside the danger area.
- Secure your wheelchair on uneven ground or when transferring, e.g. into a car, by using the brakes.
- If and whenever possible, during a journey in a specially fitted vehicle for disabled people, vehicle occupants should use the seats in the vehicle and the appropriate restraint system. This is the only way to ensure that occupants will have the maximum protection if there is an accident.
- Depending on the diameter and setting of the castors, as well as the centre of gravity setting of the wheelchair, the castors may begin to wobble at high speeds. This can lead to castor seizure and the wheelchair may tip over. Therefore, please make sure that the castors are adjusted correctly (see the Chapter "Castors").
- In particular, do not travel on an incline without brakes, travel at a reduced speed. We recommend that novice users use anti-tip tubes.
- Anti-tip tubes should prevent the chair tipping over backwards unintentionally. Under no circumstances should they take the place of transit wheels, and be used to transport a person in a wheelchair with the rear wheels removed.
- When reaching for objects (which are in front of, to the side or behind the wheelchair) make sure that you do not lean too far out of the wheelchair, as if you change the centre of gravity there is a risk of tipping or rolling over. The hanging of additional load (back pack or similar items) onto your chair back posts can affect the rearward stability of your chair, especially when used in combination with recliner backrests. This can cause the chair to tip backwards causing injury.
- For thigh amputees you must use anti-tip tubes.
- Before setting off, check that your tyre pressure is correct. For rear wheels it should be at least 3.5 bar (350 kPa). The max. pressure is indicated on the tyre. The knee-lever brakes will only work if there is sufficient tyre pressure and if the correct setting has been made (see the Chapter on "Brakes").
- If the seat and back sling are damaged, you must replace them immediately.
- Be careful with fire, in particular with burning cigarettes. Seat and back slings can be set alight.
- If the wheelchair is subject to direct sunlight / cold temperature for a long period of time, then parts of the wheelchair (e.g. frame, legrests, brakes and side guard) may become hot (>41°C) / very cold (<0°).
- Always make sure that, if fitted, the quick-release axles on the rear wheels are set properly and lock in (locking ball bearings are showing completely through the axle sleeve). If the button on the quick-release axle is not pressed in, the rear wheel cannot be removed.

CAUTION !

- The effect of the knee-lever brake as well as the general driving characteristics are dependant on tyre pressure. The wheelchair is significantly lighter and easier to manoeuvre when the rear wheels are pumped up correctly and both wheels have the same pressure.
- Make sure that your tyres have sufficient tread!
- Please note that you are subject to any and all traffic laws when driving in public traffic.
- Always be careful when handling or adjusting the wheelchair!
- Adjustments which require tools should always be done by authorized dealers.
- Clean the wheelchair regularly to avoid rust and salt corrosion.
- Check the rivets, nuts and bolts to make sure they are tight and that no wheelchair parts will come loose.

CAUTION !

- With all moving parts there is a natural risk of finger traps. Please handle with care.
- The products shown and described in this manual may not be exactly the same in every detail as your own model. However, all instructions are still entirely relevant, irrespective of detail differences.
- The manufacturer reserves the right to alter without notice any weights, measurements or other technical data shown in this manual. All figures, measurements and capacities shown in this manual are approximate and do not constitute specifications.

Lifetime

The expected lifetime of this product is 5 years provided that: it is used in strict accordance with the intended use all service and maintenance requirements are met.

Warranty

GUARANTEE

THIS IN NO WAY AFFECTS YOUR STATUTORY RIGHTS.

Warranty conditions

1) The repair or replacement must be carried out by an authorised Sunrise Medical dealer/service agent.

2) To apply the warranty conditions, should your product require attention under these arrangements, notify the designated Sunrise Medical service agent immediately giving full information about the nature of the difficulty. Should you be operating the product away from the locality of the designated Sunrise Medical service agent work under the "Warranty Conditions" will be carried out by any other service agent designated by the manufacturer.

3) Should any part of the wheelchair require repair or replacement, as a result of a specific manufacturing or material defect, within 24 months, (5 years for frame and cross bar), from the date on which the possession of the product was transferred to the original purchaser, and subject to it remaining within that ownership, the part or parts will be repaired or replaced completely free of charge if returned to the authorised service agent.

Note: This guarantee is not transferable.

4) Any repaired or replaced part will benefit from these arrangements for the balance of the warranty period applicable to the wheelchair.

5) Parts replaced after the original warranty has expired are covered for a further 12 months.

6) Items of a consumable nature will not generally be covered during the normal warranty period, unless such items have clearly suffered undue wear as a direct result of an original manufacturing defect. These items include amongst others upholstery, tyres, inner tubes, and similar parts.

7) The above warranty conditions apply to all product parts for models purchased at full retail price.

8) Under normal circumstances, no responsibility will be accepted where the product has required repair or replacement as a direct result of:

- a) The product or part not having been maintained or serviced in accordance with the manufacturer's recommendations, as stated in the Owner's Manual and / or Service Manual. Failing to use only the specified original equipment parts.
- b) The product or part having been damaged by neglect, accident or improper use.
- c) The product or part having been altered from the manufacturer's specifications, or repairs having been attempted prior to the service agent being notified.
- d) If the product has corrosion due to incorrect maintenance

Transportability

DANGER!

There is a risk of serious injury or death if this advice is ignored!

Transportation of your wheelchair within a vehicle:

A wheelchair secured in a vehicle will not provide the equivalent level of safety and security as a vehicle seating system. It is always recommended that the user transfers to the vehicle seating. It is recognised that this is not always practical for the user to be transferred and in these circumstances, where the user must be transported whilst in the wheelchair, the following advice must be followed:

1. Confirm that the vehicle is suitably equipped to transport a passenger in a wheelchair, and ensure the method of access/ egress is suitable for your wheelchair type. The vehicle should have the floor strength to take the combined weight of the user, the wheelchair and accessories.

2. Sufficient space should be available around the wheelchair to enable clear access to attach, tighten and release the wheelchair and occupant tie down restraints and safety belts.

3. The occupied wheelchair must be located in a forward facing position and secured by the wheelchair tie down and occupant restraint straps (WTORS tie downs meeting the requirements of ISO 10542 or SAE J2249) in accordance with the WTORS manufacturer's instructions.

4. The wheelchair's use in other positions within a vehicle has not been tested e.g. transportation in a side facing position must not be carried out under any circumstances (Fig. A).

5. The wheelchair should be secured by a Tie Down Restraint system, conforming to ISO 10542 or SAE J2249 with non-adjustable front straps and adjustable rear straps, which typically use Karabiner clips/S hooks and tongue and buckle fittings. These restraints generally comprise of 4 individual straps that are attached to each corner of the wheelchair.

6. The tie-down restraints should be fitted to the main frame of the wheelchair as indicated in the diagram on the following page, and not to any attachments or accessories, e.g. not around the spokes of wheels, brakes or footrests.

7. The tie-down restraints should be attached as close as possible at an angle of 45 degrees and tightened securely in accordance with the manufacturer's instructions.

8. Alterations or substitutions must not be made to the wheelchair securement points or to structural and frame or components without consulting the manufacturer. Failure to do so will invalidate the ability of a Sunrise Medical wheelchair to be transported within a vehicle.

9. Both pelvic and upper torso restraint belts must be used to restrain the occupant to reduce the possibility of head and chest impacts with the vehicle components and serious risk of injury to the user and other vehicle occupants. (Fig B) The upper torso restraint belt should be mounted to the vehicle "B" pillar - failure to do so will increase the risk of serious abdominal injuries to the user.

10. A head restraint suitable for transportation (see label on headrest) must be fitted and suitably positioned at all times during transportation.

11. Postural supports (lap straps, lap belts) should not be used or relied on for occupant restraint in a moving vehicle unless they are labelled as meeting the requirements specified in ISO 7176-19:2001 or SAE J2249.

12. The safety of the user during transportation depends upon the diligence of the person securing the tie-down restraints and they should have received appropriate instructions and/or training in their use.

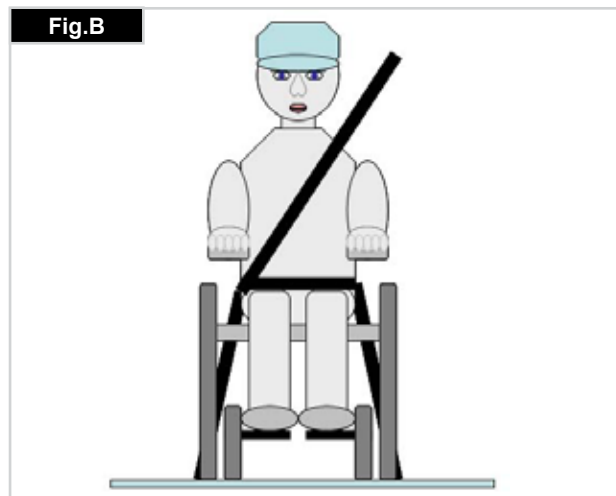
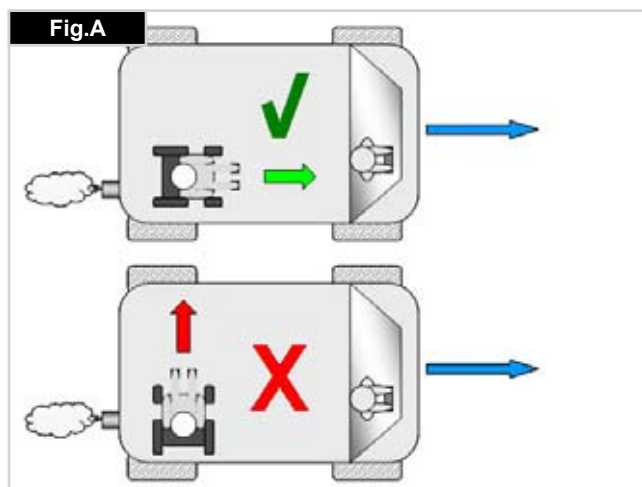
13. Wherever possible remove and stow safely away from the wheelchair all auxiliary equipment, for example: Crutches, Loose cushions and Tray Tables.

14. Articulating/elevating leg rest should not be used in the elevated position when the wheelchair and user are being transported and the wheelchair is restrained using Wheelchair Transport and Occupant Restraints.

15. Reclining backrests should be returned to an upright position.

16. The manual brakes must be firmly applied.

17. Restraints should be mounted to the vehicle "B" pillar and should not be held away from the body by wheelchair components such as armrest or wheels.



Transportability

ENGLISH

OCCUPANT RESTRAINTS INSTRUCTION:

1. The pelvic restraint belt must be worn low across the front of the pelvis so that the angle of the pelvic belt is within the preferred zone of 30 to 75 degrees to the horizontal. A steeper (greater) angle within the preferred zone is desirable i.e. closer to, but never exceeding 75degrees. (Fig C)

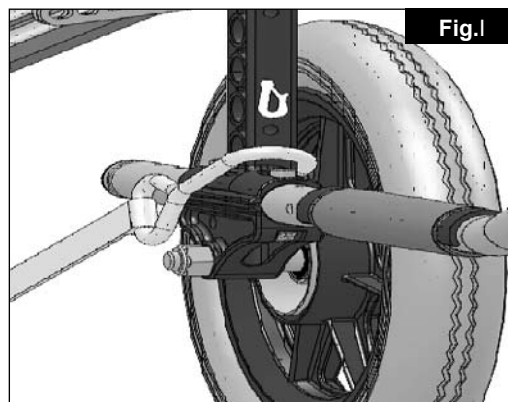
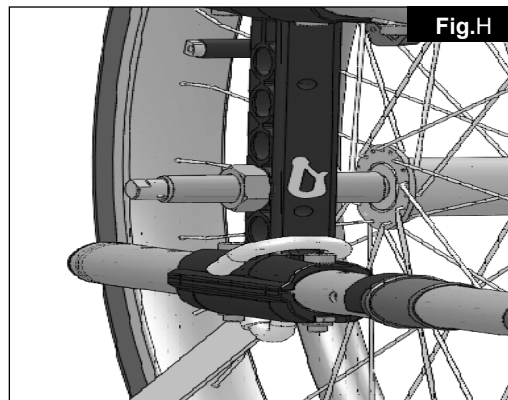
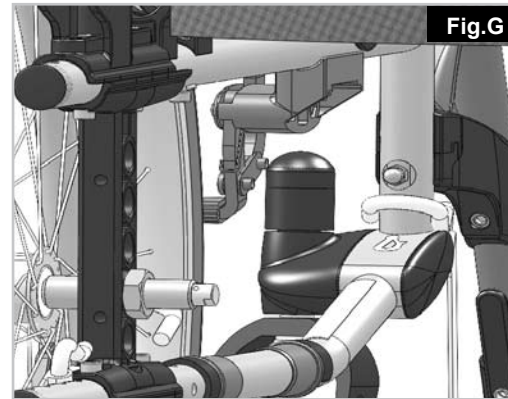
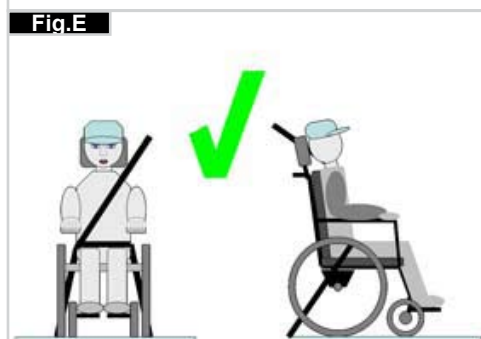
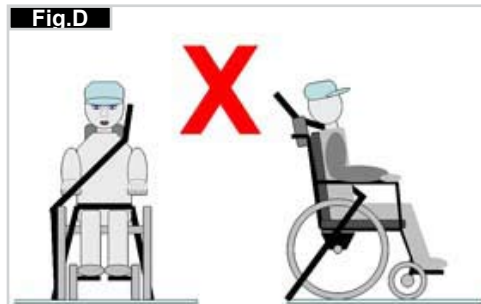
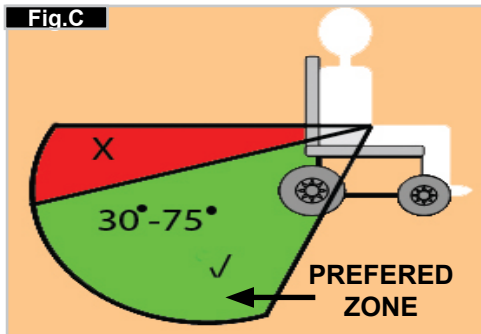
2. The upper torso restraint belt must fit over the shoulder and across the chest as illustrated Fig d and e
Restraint belts must be adjusted as tightly as possible consistent with user comfort.
Restraint belt webbing must not be twisted when in use.
The upper torso restraint belt must fit over the shoulder and across the shoulder as illustrated in Fig D and E.

3. The attachment points to the chair are the inner front side frame just above the castor, and the rear side frame. The straps are fitted around the side frames at the intersection of the horizontal and vertical frame tubes. (See Figs G - K)

4. The tie down symbol (Fig F) on the wheelchair frame indicates the position of the wheelchair restraint straps. The straps are then tensioned after the front straps have been fitted to secure the wheelchair.

POSITIONING OF WHEELCHAIR TIE DOWN RESTRAINTS ON WHEELCHAIR:

1. Location of the front and rear tie down labels (Fig. G-H-I).
2. Position of the front, (Fig.G) and rear, (Fig.H-I), wheelchair tie down restraint and the tie down label.
3. Side view of tie down straps, (Fig.J).



Handling

FOLDING UP

First remove the seat cushion and the back seat shell from the wheelchair and flip up the (platform) footplate or the individual footrests. Take hold of the sling or the seat tubes in the middle, from the back and pull upwards. The wheelchair will then fold up. To fold your wheelchair so that it is as small as possible, e.g., to put into a car, you can remove the footrests (depending on the model). For this purpose, open the latch from the outside and swing the footrest to the side. Then the footrest only has to be drawn out of the receiver tube (Fig. 1).



UNFOLDING

Press down on the seat tube (see figure). Your wheelchair is then unfolded. Now snap the seat tubing into position in the seat saddle. This can be facilitated by slightly tipping your wheelchair, as this means that the weight is taken off one of the rear wheels. **Be careful not to get your fingers caught in the cross-tube assembly.** Refit the seat and the back seat shell (Fig. 2).

Quick-release axles on rear wheel

The rear wheels are equipped with quick-release axles. The wheels can thus be fitted or removed without using tools. To remove a wheel, simply depress the quick-release button on the axle (1) and pull the wheel off the axle (Fig. 3).



CAUTION:

Hold the quick-release button on the axle depressed when inserting the axle into the frame to mount the rear wheels. Release the button to lock the wheel in place. The quick-release button should snap back to its original position.

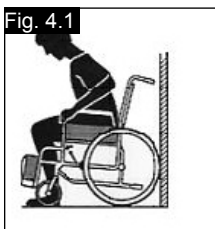
GETTING INTO YOUR WHEELCHAIR INDEPENDENTLY (FIG. 4.0)

- The wheelchair should be pushed up against a wall or solid piece of furniture;
- The brakes should be on;
- The footplates should be hinged up;
- The user can then lower himself into the chair;
- The footplates should then be pushed down and the feet rested on them in front of the heel loops.



GETTING OUT OF YOUR WHEELCHAIR INDEPENDENTLY (FIG. 4.1)

- The brakes should be on;
- The hinged footplates should be hinged up;
- With one hand on each armrest, the person should bend slightly forward to bring the body weight to the front of the seat, and with both feet firmly on the ground, one foot well back, push up into the upright position.



WARNING!

- When standing, do not stand on the footplates or the wheelchair will tip up. It is easier and safer to get into your wheel chair if you turn the footplates up and out of the way or take them off the wheelchair.
- Always engage the wheel brakes when transferring in or out of the wheelchair.

Options – Step Tubes

STEP TUBES

Tipping tubes are used by attendants to tip a wheelchair over an obstacle. Simply step on the tube to push a wheelchair, for example, over a kerb or step (Fig. 5).



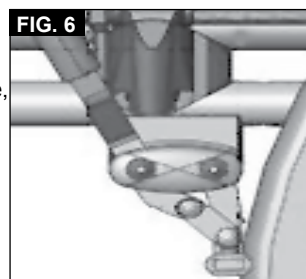
CAUTION!

Sunrise Medical strongly recommends the use of a step tube on transit wheeled models and also on any model where attendant use is the predominant intended use, as damage to the backposts may occur if you pull back on them to tip the wheelchair, in order to overcome obstacles.

Options - Brakes

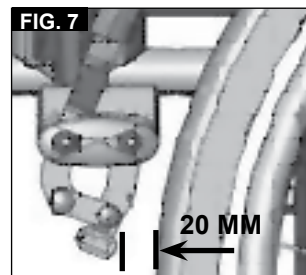
WHEEL LOCKS

Your wheelchair is equipped with two wheel locks. They are applied directly against the tyres. To engage, press both brake levers forward against the stops. To release the locks, pull the levers back to their original positions.



Braking power will decrease with:

- Worn tyre tread
- Tyre pressure that is too low
- Wet tyres
- Improperly adjusted wheel locks



The wheel locks have not been designed to be used as brakes for a moving wheelchair. The wheel locks should therefore never be used to brake a moving wheelchair. Always use the hand-rims for braking. Make sure that the gap between the tyres and wheel locks complies with given specifications. To readjust, loosen the screw and set the appropriate gap. Then re-tighten the screw (Fig. 6-7).

CAUTION!

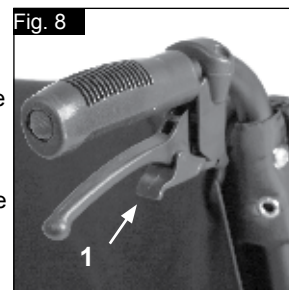
After each adjustment of the rear wheels, check the wheel lock gap and re-adjust if necessary.

Mounting the wheel lock too close towards the wheel will result in a higher effort to operate. This might cause the brake lever extension to break!

Leaning onto the brake lever extension while transferring will cause the lever to break! Splashing water from tyres might cause the wheel lock to malfunction.

DRUM BRAKES

Drum brakes permit safe and convenient braking for an attendant. They can also be set with the aid of a locking lever (1) to prevent rolling. The lever must snap audibly into place. Drum brakes are not influenced by air pressure inside the tyres. Your wheelchair cannot be moved when the drum brakes are set (Fig.8).



CAUTION!

Drum brakes must only be adjusted by authorised dealers.

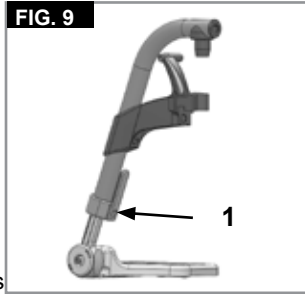
Options - Footplates

FOOTPLATES:

The footplates can be flipped up to make it easier to transfer to/from the chair.

Lower leg length:

For users with longer legs, the leg support can be lowered to the appropriate level by using the screws (1). Loosen the screws, push the tubes to the desired position and then re-tighten the screws (see section on torque).



There must always be a minimum gap of 2.5 cm between the footplates and the ground (Fig. 9).

Angle-adjustable footboard

This can be adjusted to alter the angle to the ground. Release screw, pull it inwards, set the desired angle and then push it on. After making the adjustment, re-tighten the screw. Make sure that after any adjustment work, all screws are tightened correctly (see the page on torque).



Ensure that you maintain the minimum gap to the floor (2.5 cm) (Fig. 10).

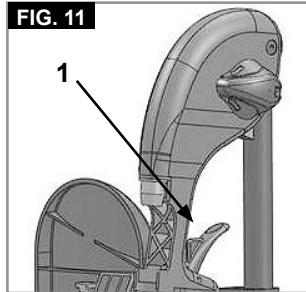
CAUTION!

- The legrests must not be used to lift or to carry the wheelchair.
- When getting on or off the wheelchair, do not use the footboards. These should be flipped up beforehand and the footrest should be swung to the outside as far as possible.

OPTION ELEVATING LEGREST

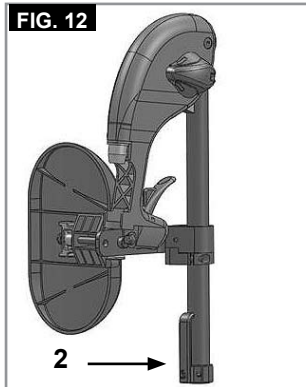
(Fig 11-13)

To remove, pull the lever (1), swing the footplate outwards and then lift the legrest out.



HEIGHT ADJUSTMENT:

The lower leg length can be adjusted infinitely by releasing the screw (2). Adjust the suitable height and tighten the screw again.

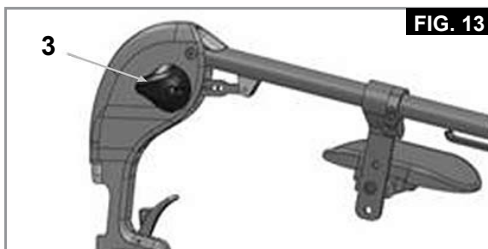


CAUTION!

The distance between the footplate and the ground must be at least 40 mm.

ANGLE ADJUSTMENT:

Press the lever (3) downward with one hand while supporting the legrest with the other hand to take the load off. When a suitable angle is achieved, let go of the lever and the legrest will lock into one of the preset positions.



ADJUSTING THE CALF PAD

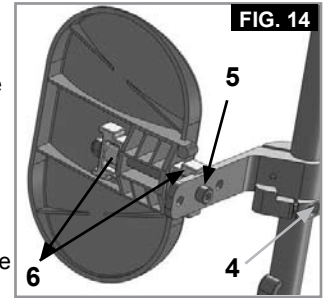
(Fig 14).

The calf pad can be adjusted as follows:

Height: Open bolt (4) and move the clamping piece to the desired position. By rotating the clamping piece also the angle can be adjusted.

Depth: Open bolt (5) and move the calf pad into the desired position.

Width: Open bolt (5) and position the spacers (6) behind the pad, to get the desired position.



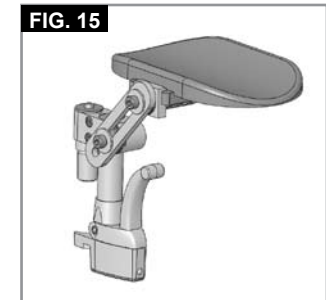
WARNING!

- Keep hands clear of the adjustable mechanism between the frame and the movable parts of the foot rest, while elevating or lowering the footrest.
- Always make sure that the fasteners are secure.
- The foot rests must not be used to lift or to carry the wheelchair.
- Risk of trapping fingers! When moving the foot rest up or down, do not put your fingers in the adjusting mechanism between the moving parts of the foot rest.

AMPUTEE SUPPORT

(Fig. 15).

The Amputee Support can be adjusted in every direction as required.



Options - Castors

CASTORS, CASTOR PLATES, FORKS

The wheelchair may veer slightly to the right or left, or the castors may wobble. This may be caused by the following:

- Forward and/or reverse wheel motion has not been set properly.
- The castor angle has not been set correctly.
- Castor and/or rear wheel air pressure is incorrect; the wheels do not turn smoothly.

The wheelchair will not move in a straight line if the castors have not been properly adjusted. Castors should always be adjusted by an authorised dealer. The wheel locks must be checked every time the rear wheel position has been altered.

Options - Castor Adapter

The seat height is determined by the castor and rear wheel position. The seat height can be adjusted by altering the position of the rear wheels and the castors and by using spacers.



CAUTION!

After adjusting the seat height, all screws must be re-tightened and the wheel lock must be readjusted.

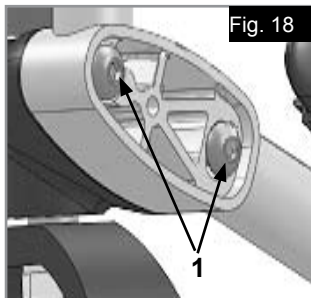
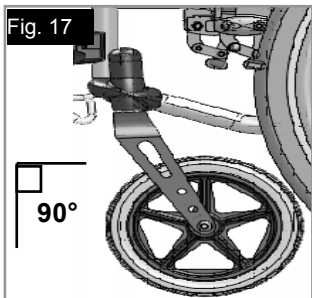
Options – Castor adapter

NOTE:

You can change the angle of the castor axle by altering the position of the castor/rear wheel. This should always be approx. 90°.

ADJUSTING THE CASTOR AXLE ANGLE:

Release the screws (1), pull the castor adaptor outwards, set a 90° angle and then re-tighten the screws (Fig. 17-18).



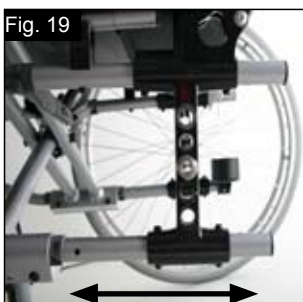
CAUTION!

The castor axle angle must be set the same on both sides (check by marking).

HORIZONTAL AXLE POSITION

The axle plate can be adjusted forwards to give greater manoeuvrability or to the rear to give greater stability (Fig. 19).

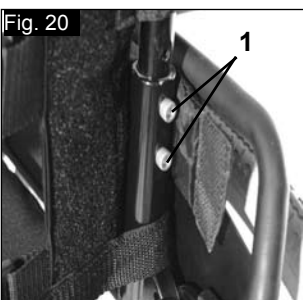
The larger the wheelbase the greater the security against your wheelchair tipping over



Options - Backrest

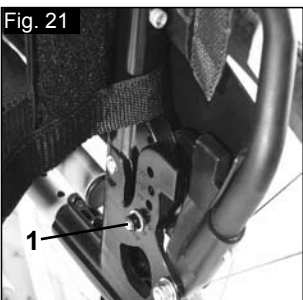
HEIGHT-ADJUSTABLE BACKREST

The height of the backrest can be set to 2 or 3 different positions (depending on the model) (41 cm, 43.5 cm and 46 cm). Release and remove the bolts (1)+(2), and push the backrest tube to the desired position. Tighten up the bolts again (Fig. 20).



ADJUSTABLE BACKREST ANGLE

The angle of the backrest can be set to 6 different positions (-5° forwards, 0°, 5°, 10°, 15° and 20° backwards). To adjust the angle, remove the screw (1), set the desired angle and then re-tighten the screw (Fig. 21).



ADJUSTABLE BACKREST ANGLE (7° - 30°)

By pulling both levers together (1), you can release the backrest and then move it to the desired position.

On releasing the two levers (1) the backrest will automatically lock into place (Fig. 22).



CAUTION!

- It is recommended that the angle-adjustable backrest is used in conjunction with the wheelbase extension.
- It is recommended that the angle-adjustable backrest is used in conjunction with anti-tip tubes (maximum ground clearance 3 - 5 cm).
- We recommend that the angle-adjustable backrest is used in conjunction with a stabilising bar.

HALF FOLDING BACK

Unfolding the backrest: To put the backrest in the upright position, push the handles upwards and forwards until they lock in.

WARNING!

Keep fingers and other items away from the folding mechanism when the backrest is being folded to prevent injury or damage to property.



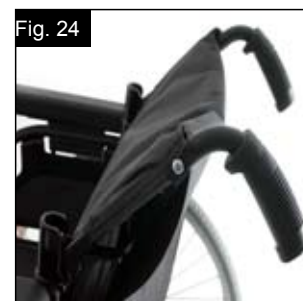
Folding the backrest:

The backrest can be folded to make storage of the wheelchair easier.

CAUTION!

Do not operate under load as this may cause lever to break.

To fold the backrest, stand behind the wheelchair, press the two small levers (Fig. 23 - 24) positioned on each side of the backrest (just above the armrests). Fold the backrest down.



ADJUSTABLE BACK-SLING

The adjustable back-sling can be adjusted for tension by using several straps (Fig. 25).

CAUTION!

Do not pull the tension belt too tight, otherwise this could interfere with the folding mechanism of the chair.

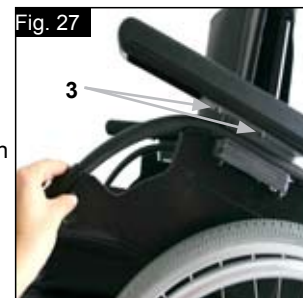
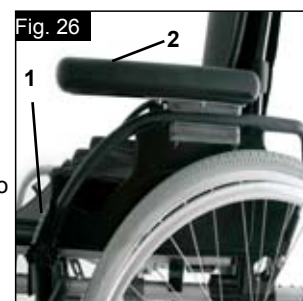


Options – sideguard

STANDARD SIDEGUARD, FLIP-UP, REMOVABLE WITH SHORT OR LONG ARMRESTS

The sideguard with rounded off front edges will allow you to get up close to a table. To flip the armrest up, push the lever (1), so that the sideguard is released (Fig. 26 + 27).

The height of the armrest (2) can be adjusted by fitting the spacer bracket in various positions. To do this release the screws, move the spacer bracket and re-tighten the screws. The length of the armrest can be adjusted by releasing the screws (3), then move the armrest to the desired position and re-tighten the screws (Fig. 27).



Options – sideguard

CAUTION!

Neither the side guards nor the armrests are to be used for lifting or carrying the wheelchair.

CAUTION!

Take care of your fingers when adjusting the arm pad height.

SIDE GUARD, FLIP-UP, REMOVABLE WITH SHORT OR LONG ARMRESTS, HEIGHT-ADJUSTABLE

The armrest can be height-adjusted as follows.

Push the lever downwards and move the armrest to the desired height. Release the lever and press the armrest downwards until you hear it click into place. Always check that the side guards are correctly in place.

To flip the armrest up, push the lever (1) so that the side guard is released.



You can adjust the length of the armrest by releasing the screws (2) push the armrest to the desired position and then re-tighten the screws (Fig. 28).

CAUTION!

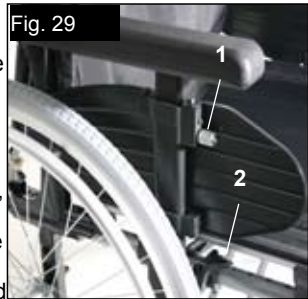
Neither the side guards nor the armrests are to be used for lifting or carrying the wheelchair.

CAUTION!

When using a 24" rear wheel the armpad must be moved one level up.

SINGLE POST HEIGHT-ADJUSTABLE ARMRESTS

To adjust the height, pull the lever (1) and move the armrest to the desired height. Afterwards make sure that the lever (1) locks back into position. Removing the armrest is carried out in the same way.



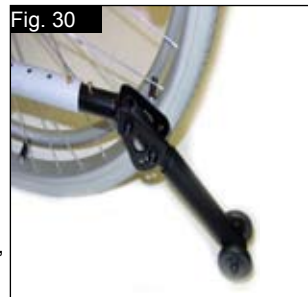
To remove the side guard completely, push the lever (2). When fitting the side guard, the lever (2) must also be pulled.

Always make sure that the side guard locks into position correctly in the receiver. (Fig. 29).

Options – Anti-Tip Tubes

ANTI-TIP TUBES

Anti-tip tubes provide additional safety for inexperienced users when they are still learning how to operate their wheelchair. They prevent a wheelchair from tipping over backwards. The anti tip tube should be inserted into the frame tube until the first of the two spring buttons enters the first hole in the frame tube, (Fig.30).



WARNING!

Incorrect setup of the anti-tips will increase the risk of a rearwards tip. You must swing the anti-tips upwards when going up or down large obstacles, (such as a kerb), to prevent them from touching the ground, then rotate them back down to the normal position.

NOTE: Do not insert both buttons of the anti tip tube into the frame tube as this could damage the anti Tipp and cause a loss of effectiveness. By pushing on the Second exposed release button, the safety wheels can be set upwards or removed. There must always be a gap of between 3 cm and 5 cm between the tube and the ground. You must swing the safety wheels upwards when going up and down large obstacles (such as a kerb) to prevent them from touching the ground. Then rotate the safety wheels back down to the normal position (Fig. 30).

WARNING!

Incorrect set up of the anti tips will increase the risk of a rearwards tip.

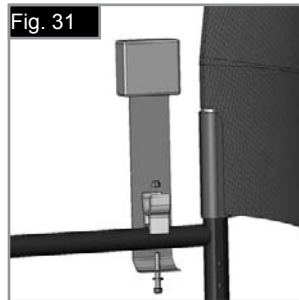
Options – Lap belt

WARNING!

Before using your wheelchair ensure the seat belt is worn and correctly adjusted before use.

The lap belt is fitted to the wheelchair as shown in the illustrations. The seat belt comprises 2 halves. They are fitted using the existing seat stay retaining bolt fitted through the eyelet on the belt. The belt is routed under the rear of the side panel. (Fig. 31)

Adjust the belt position so buckles are in the centre of the seat. (Fig. 32)



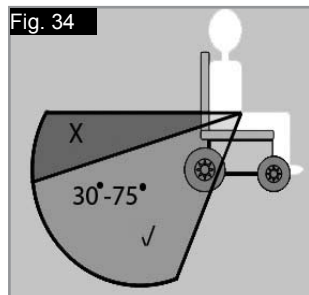
Adjust lap belt to suit the user's needs as follows:

To increase the belt length	To reduce the belt length	✓
Type A	Type A	Type A
Type B	Type B	Type B
Feed free belt through slide adjusters and male buckle to provide more belt length.	Feed free belt back through male buckle and slide adjusters.	Ensure belt is not looped at male buckle.

Options – Lap belt >>>

When fastened check space between the lap belt and user, when correctly adjusted it should not be possible to insert more than the flat of the hand between the lap belt and the user. (Fig. 33)

Generally the Lap Belt should be fixed so that the straps sit at an angle of approximately 45°, and when correctly adjusted should not allow user to slip down in the seat. (Fig. 34)



<p>To fasten buckle: Firmly push male buckle into female buckle.</p>	<p>To release belt: Press exposed sides of male buckle and push towards centre / push the press button of the female buckle whilst gently pulling apart.</p>

ADVICE TO CLIENT



- Do not rely on the lap belt only when the wheelchair and occupant are transported in a vehicle, use the separate occupant lap and diagonal restraints provided in the vehicle.
- Before use we recommend that the lap belt be checked to ensure that it is adjusted correctly, free from any obstruction or adverse wear and that the buckle engages securely.
- Failure to make sure that the lap belt is secure and adjusted prior to use could cause serious injury to the user. e.g. too loose a strap may allow the user to slip down in the chair and risk suffocation.

MAINTENANCE:

Check lap belt and securing components at regular intervals for any sign of fraying or damage. Replace if necessary. Clean the lap belt with warm soapy water and allow it to dry.



The lap belt should be adjusted to suit the end user as detailed above Sunrise Medical also recommend that the length and fit of the belt is checked on a regular basis to reduce the risk of the end user inadvertently re-adjusting the belt to an excessive length. If in doubt about the use and operation of the seat belt then ask your healthcare professional, wheelchair dealer, carer or attendant for assistance.

Options - Seat

STANDARD SEAT SLING

The sling is equipped with a Velcro fastener on one side, this permits stepless adjustment of the sling. To adjust the sling, fold the chair up. Then pull the front cover caps forwards out of the frame. The sling can be pulled off the frame. Undo the Velcro fastener and adjust the sling. Reverse this procedure to refit the sling (Fig. 39)



- For proper safety, at least 50 % of the Velcro surfaces must be in contact with each other at all times.
- The sling must not be pulled too tight, as otherwise this could interfere with the folding mechanism of the chair. Seat depth

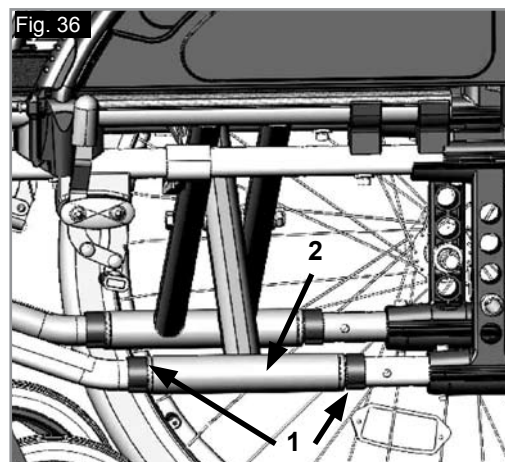
Options – Seat depth

SEAT DEPTH

By removing the clips (1), the cross-brace unit (2) can be pushed along the frame, which then alters the seat depth (depending on the position of the back tubes).

Make sure that the clips (1) snap into the frame holes provided.

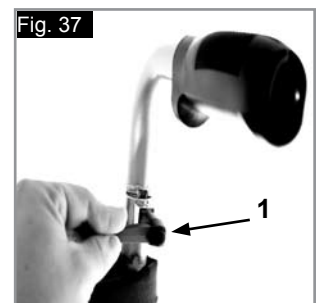
To keep the frame as compact as possible, the seat depth can also be adjusted by using the back tubes (41 – 46 cm in steps of 2.5 cm). To do this remove the screws (1 and 2) on the back tube bracket. Remove the wheels and the armrests and check that the cross-brace is in the desired position (push the cross-brace as described above). Move the back tubes to the desired position and re-tighten all screws. Move the receiver tube for the armrests to the desired position (Fig. 36).



Options – Push handles

HEIGHT-ADJUSTABLE PUSH HANDLES

These handles are secured with pins to prevent them from sliding out unintentionally. By releasing the release lever (1) you can adjust the push handles to a height which suits you. After any adjustment to the height of the push handles, pull the release lever (1) until it is tight (Fig. 37).



If the lever is not secure, injuries could result when lifting over obstacles.

Options - Crutch holder

CRUTCH HOLDER

This device permits crutches to be transported directly on a wheelchair. It has a Velcro loop to fasten crutches or other aids (Fig. 38).



WARNING!

Never try to use or attempt to remove the crutches or other aids while moving.

Options - Therapy Table

THERAPY TABLE

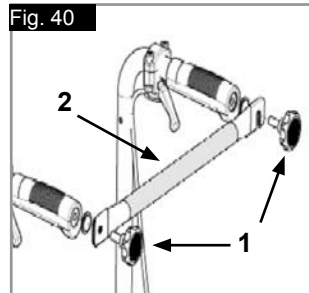
The tray provides a flat surface for most activities. Before using a tray, it first has to be adjusted to the width of the seat by an authorised dealer. The user must be sitting in the wheelchair during this adjustment (Fig. 39).



Options - Stabilising Bar

STABILISING BAR

Open star-knob (1) and swing the stabilising bar (2) out of the way before folding the chair. To reinstate the wheelchair, reverse the above procedure.



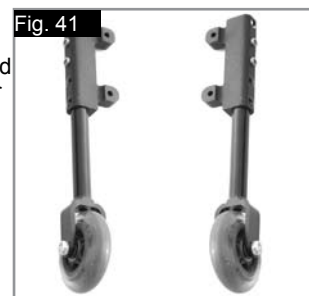
DANGER!

- Before using the wheelchair ensure that the stabiliser bar and star-knobs are in place and are tightened correctly.
- Never use the stabiliser bar to lift the chair!

Options – Transit wheels

TRANSIT WHEELS

Transit wheels should be used wherever your wheelchair would be too wide if the rear wheels were used (e.g., in airplanes, buses, etc.). After the rear wheels have been removed with the aid of the quick-release axles, the **transit wheels** can immediately be used to continue riding. The **transit wheels** are mounted so that they are approx. 3 centimeters above the ground when not in use. They are thus out of the way when riding, transporting or when tipping to pass over obstacles (e.g., kerbs, steps, etc.) (Fig. 41).



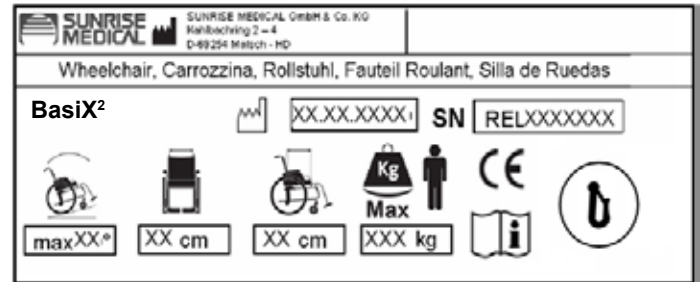
DANGER!

Your wheelchair does not have any wheel locks when the transit wheels are being used.

Name Plate

Nameplates

The nameplate is located on either the cross-tube assembly or the transverse frame tube, as well as on a label in the owner's manual. The nameplate indicates the exact model designation and other technical specifications. Please provide the following pieces of information whenever you have to order replacement parts or to file a claim:



BasiX² XXXXX-XXX	Product Name/SKU Number.
	Maximum safe slope with anti-tips fitted, Depends on wheelchair setting, posture and physical capabilities of the user.
	Seat width.
	Depth (maximum).
	Load Maximum.
	CE Mark
	User's Guide.
	Crash Tested
	Date of manufacture.
	Serial number.

Due to our policy of continuous improvement in the design of our wheelchairs, product specifications may vary slightly from the examples illustrated. All weight/dimensions and performance data are approximate and provided solely for guidance. Sunrise Medical complies with the EU Medical Devices Directive 93/42/EEC

CE All wheelchairs must be used in accordance with the manufacturer's guidelines.

Sunrise Medical GmbH & Co.KG
 Kahlbachring 2-4
 69254 Malsch/Heidelberg
 Germany
 Tel.: +49 (0) 7253/980-0
 Fax: +49 (0) 7253/980-111
 www.sunrisemedical.com

Tyres and mounting

TYRES AND MOUNTING

Solid tyres are standard. With pneumatic tyres make sure that you maintain the correct tyre pressure, as this can have an effect on wheelchair performance. If the tyre pressure is too low, rolling resistance will increase, requiring more effort to move the chair forward. Low tyre pressure also has a negative impact on manoeuvrability. If the tyre pressure is too high, the tyre could burst. The correct pressure for a given tyre is printed on the surface of the tyre itself (min. 3.5 bar).

Tyres can be mounted the same way as an ordinary bicycle tyre. Before installing a new inner tube, you should always make sure that the base of the rim and the interior of the tyre are free of foreign objects. Check the pressure after mounting or repairing a tyre. It is critical to your safety and to the wheelchair's performance that regulation air pressure be maintained and that tyres be in good condition.

Maintenance and care

SAFETY CHECK:

As the user you will be the first person to notice any possible defects. We therefore recommend that before each use, you check the following:

The tyre pressure is correct.
The brakes work correctly.
All removable parts are securely fastened (e.g. armrests, footrest hangers, quick-release axles ...).
If there is any damage/defect, please contact your authorised dealer.

MAINTENANCE:

Check the tyre pressure at regular intervals.
Check all tyres for wear and damage at regular intervals, at least annually. Change the tyres as soon as there is any sign of damage or wear.
Check the seat and back sling for wear and damage at regular intervals, at least annually. Change these items as soon as there is any sign of damage or wear.
Check all frame and backrest components for wear and damage at regular intervals, at least annually. Change these items as soon as there is any sign of damage or wear.
Check the brakes for wear and damage at regular intervals, at least annually. Check that they are working properly and are easy to use. Change the brakes as soon as there is any sign of damage or wear.
Check to make sure all bolts are secure (see the section on torque) at regular intervals, at least annually. All screws which are critical to using the wheelchair safely have safety nuts. Safety nuts should only be used once and should be replaced after use.

NOTE: If torque settings are given, then we strongly recommend that you use a torque measuring device, in order to check that you have tightened to the correct torque.
Please use only mild household cleaners when your wheelchair is dirty. Use only soap and water when cleaning the seat upholstery and lap belt.
Depending on the frequency and type of use, we recommend taking your wheelchair to your authorised dealer regularly, but at least within a year, to have it maintained by trained personnel.



CAUTION!

Sand, salt and sea water can damage the bearings of the front and rear wheels. Clean and dry the wheelchair carefully, after they have been exposed to these elements.

HYGIENE WHEN BEING REUSED:

When the chair is to be reused, it should be prepared carefully, and be wiped and treated with spray disinfectant on all surfaces which could come into contact with the user.

If you need to do this quickly, you must use a liquid, alcohol-based disinfectant suitable for medical products and devices. Please pay attention to the manufacturer's instructions of the disinfectant you are using.

Trouble shooting

Wheelchair pulls to one side

- Check tyre pressure
- Check to make sure wheel turns easily (bearings, axle)
- Check the castor angle
- Check to make sure both castors are making proper contact with the ground

Castors begin to wobble

- Check the castor angle
- Check to make sure all bolts are secure; tighten if necessary (see the section on torque)
- Check to make sure both castors are making proper contact with the ground

Wheelchair squeaks and rattles

- Check to make sure all bolts are secure; tighten if necessary (see the section on torque)
- Apply small amount of lubrication to spots where movable parts come in contact with one another

Wheelchair begins to wobble

- Check angle at which castors are set
- Check tyre pressure
- Check to see if rear wheels are adjusted differently

Disposal / recycling of materials

NOTE: If the wheelchair has been supplied to you free of charge it may not belong to you. If it is no longer required follow any instructions given by the organisation issuing the wheelchair in order that it may be returned to them.

The following information describes the materials used in the wheelchair in relation to the disposal or re-cycling of the wheelchair and its packaging.

Specific waste disposal or recycling regulations may be in force locally and these should be taken into consideration when disposal arrangements are made. (This may include the cleaning or de-contamination of the wheelchair before disposal).

Aluminium: Castor forks, wheels, side frames, armrests, frame, leg rests, push handles

Steel: Fasteners, QR axle

Plastic: Handgrips, tube plugs, castor wheels, footplates, armpads and 12" wheel/tyre

Packaging: Low density polythene bag, cardboard box

Upholstery: Woven polyester with PVC coatings and expanded combustion modified foam.

Disposal or recycling should be done through a licensed agent or authorised place of disposal. Alternatively your wheelchair may be returned to your dealer for disposal.



Technical Data

Overall width:

With standard wheels including handrims, close mount:

SW +19 cm

With drum brake wheels including handrims, close mounted:

SW +21 cm

Folded dimensions:

With standard wheels = 30 cm

Without standard wheels = 24 cm

MAXIMUM LOAD: 125 KG

ALSO SEE PAGE 5

Maximum load:

Up to a load of 125 kg

Weight in kg:

Transportation (without footrest, wheels, sideguard) 8.4 kg

Footrest (unit): 0.8 kg

Standard sideguard (unit): 0.8 kg

24" rear wheels (solid) (pair): 3.8 kg

In Accordance with EN12183: 2009 all there listed parts (seat - back upholstery, arm pad, side panel...) are fire resistant as per EN1021-2 .


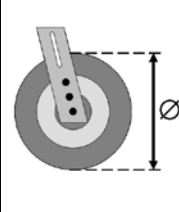
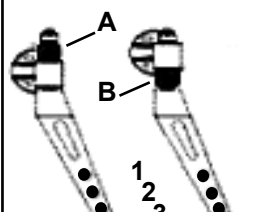
The Dynamic safe slope is dependant on the chair configuration, the users abilities and the style of riding. As the users abilities and style of riding cannot be predetermined then the max safe slope cannot be determined. Therefore this must be determined by the user with the assistance of an attendant to prevent tipping. It is strongly recommended that inexperienced users have Ant-tips fitted.


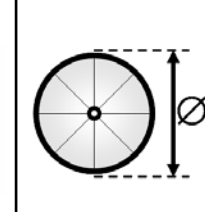
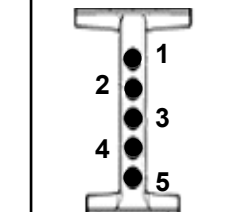
The wheelchair conforms to the following standards:

a) Requirements and test methods for static, impact and fatigue strengths (ISO 7176-8)

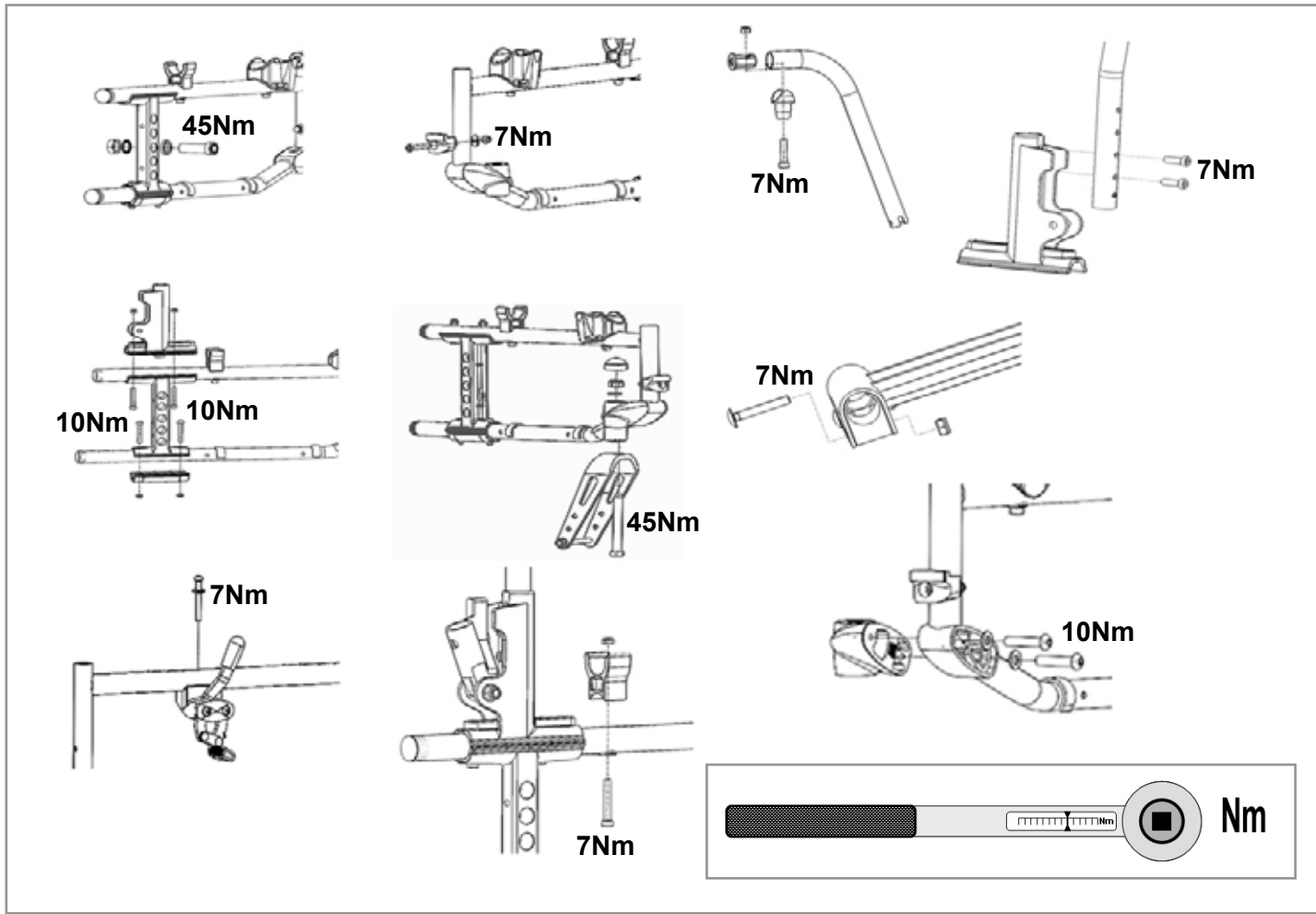
b) Requirements for resistance to ignition in accordance with ISO 7176-16 (EN 1021-1)

Seat Height Adjustment

			
425mm	8"	1A	
450mm	8"	2A	1B
480mm	8"	3A	2B
505mm	8"		3B
425mm	6"	2A	1B
450mm	6"	3A	2B
480mm	6"		3B

			
400mm	24"		1
425mm	24"		2
450mm	24"	12"	3
475mm	24"		4
500mm	24"		5

Torque



UNLESS OTHERWISE ADVISED, THE TORQUE FOR M6 SCREWS IS 7 NM.

Vorwort

Sehr geehrter Kunde,

Wir freuen uns sehr, dass Sie ein Spitzenqualitätsprodukt von SUNRISE MEDICAL gewählt haben.

Dieses Handbuch vermittelt Ihnen zahlreiche Tipps und Ideen, damit Ihr neuer Rollstuhl ein vertrauter und zuverlässiger Partner im Leben werden kann.

Wir möchten, dass Sie mit unseren Produkten und unserem Service zufrieden sind. Sunrise Medical arbeitet daher ständig an der Weiterentwicklung seiner Produkte. Aus diesem Grund können in unserer Produktreihe Änderungen in der Form, Technologie und Ausstattung vorkommen. Es können also aus den Angaben und Abbildungen in diesem Handbuch keine Ansprüche abgeleitet werden.

Das Managementsystem von SUNRISE MEDICAL ist zertifiziert nach DIN ISO 9001, ISO 13485 und ISO 14001.



SUNRISE MEDICAL erklärt als Hersteller, dass die Rollstühle mit den Anforderungen der Richtlinie 93/42/EWG, geändert durch 2007/47/EG, übereinstimmen.

Sie erfüllen außerdem die Leistungsanforderung "Crash Test" nach ISO 7176-19

Fragen zum Gebrauch, zur Wartung und Sicherheit Ihres Rollstuhls richten Sie bitte an den zuständigen, zugelassenen SUNRISE MEDICAL Fachhändler.

Falls sich kein zuständiger Fachhändler in Ihrer Nähe befindet oder falls Sie Fragen haben, können Sie Sunrise Medical auch schriftlich oder telefonisch erreichen (Kontaktadressen auf der letzten Seite).

Sunrise Medical GmbH & Co. KG
Kahlbachring 2-4
69254 Malsch
Deutschland
Tel.: +49 (0) 7253 - 980 400
www.sunrisemedical.de

Bitte notieren Sie die Adresse und Telefonnummer Ihres zuständigen Kundendienstes unten in dem dafür vorgesehenen Feld. Benachrichtigen Sie ihn im Fall einer Panne, und versuchen Sie, alle relevanten Einzelheiten anzugeben, damit Ihnen rasch geholfen werden kann.

Legende für die Symbole

WICHTIG:
BENUTZEN SIE IHREN ROLLSTUHL ERST, WENN SIE DIESES HANDBUCH VOLLSTÄNDIG GELESEN UND VERSTANDEN HABEN.

**GEFAHR!**

Warnungen zu möglichen Gefahren von schweren Unfällen oder Lebensgefahr.

**WARNUNG!**

Warnungen zu möglichen Verletzungsgefahren.

**VORSICHT!**

Warnungen zu möglichen technischen Schäden.

HINWEIS:

Informationen zur Bedienung des Produkts.

Inhaltsverzeichnis

Rollstuhlkomponenten	2
Vorwort	6
Inhaltsverzeichnis	20
Verwendung	20
Verwendungszweck	20
Allgemeine Sicherheitshinweise und Fahrbeschränkungen	21
Garantie	22
Transport	23
Handhabung	25
Optionen – Ankippbügel	25
Optionen - Bremsen	25
Optionen - Fußplatten	26
Optionen - Lenkräder	26
Optionen – Lenkrad-Adapter	26
Optionen - Rücken	27
Optionen – Seitenteil	27
Optionen - Sicherheitsräder	28
Optionen – Beckengurt	28
Optionen - Sitz	29
Optionen - Sitztiefe	29
Optionen - Schiebegriffe	29
Optionen - Stockhalter	30
Optionen - Therapietisch	30
Optionen - Stabilisierungstange	30
Optionen - Transitrollen	30
Typenschild	30
Reifen und Montage	31
Wartung und Pflege	31
Fehlersuche	31
Entsorgung / Recycling von Materialien	31
Technische Daten	32
Sitzhöhenverstellung	32

Verwendung

Leichtgewichtsrollstühle sind ausschließlich für gehunfähige oder gehbehinderte Menschen zum individuellen Gebrauch im Haus und im Freien auf trockenem, festem und ebenem Untergrund bestimmt (Selbstfahrer oder Schieben durch Begleitperson).

Das Höchstgewicht (das Körpergewicht des Benutzers und das Gewicht des im Rollstuhl eingebauten Zubehörs) ist auf dem Etikett mit der Seriennummer angegeben, das an der Querstange oder an der Stabilisierungsstange unter dem Sitz angebracht ist.

Eine Gewähr kann nur übernommen werden, wenn das Produkt unter den vorgegebenen Bedingungen und zu den vorgesehenen Zwecken eingesetzt wird.

Die vorgesehene Lebensdauer des Rollstuhls beträgt 5 Jahre.

KEINE Teile von anderen Herstellern verwenden, außer diese sind von Sunrise Medical offiziell zugelassen.

Verwendungszweck

Die Vielfalt an Ausstattungsvarianten sowie die modulare Bauweise erlauben einen Einsatz bei Gehunfähigkeit/Gehbehinderung durch:

- Lähmung
- Gliedmaßenverlust (Beinamputation)
- Gliedmaßendefekt/Deformation
- Gelenkkontrakturen/-schäden
- Erkrankungen wie Herz- und Kreislaufinsuffizienz, Gleichgewichtsstörungen oder Kachexie sowie für Geriatiker mit noch verwendbaren Restkräften der oberen Gliedmaßen.

Beachten Sie bei der Versorgung außerdem auf Körpergröße, Gewicht, physische und psychische Verfassung, Alter des Behinderten, Wohnverhältnisse und Umwelt.

Allgemeine Sicherheitshinweise und Fahrbeschränkungen

Technik und Bauweise dieses Rollstuhls sind für die maximale Sicherheit entworfen. Die aktuell gültigen internationalen Sicherheitsstandards wurden erfüllt oder teilweise übererfüllt. Dennoch kann sich der Benutzer einem Risiko aussetzen, wenn er den Rollstuhl nicht vorschriftsmäßig handhabt. Beachten Sie zu Ihrer eigenen Sicherheit bitte unbedingt die nachstehenden Regeln. Unfachmännische oder fehlerhafte Änderungen oder Einstellungen erhöhen das Unfallrisiko. Als Rollstuhlfahrer sind Sie auch Verkehrsteilnehmer und Passant auf Straßen und Gehwegen. Wir möchten Sie daran erinnern, dass für Sie als Rollstuhlfahrer alle Verkehrsregeln gelten.

Seien Sie auf Ihrer ersten Fahrt im Rollstuhl besonders vorsichtig. Lernen Sie Ihren Stuhl kennen.

Überprüfen Sie Folgendes vor jedem Gebrauch:

- Starrachsen oder Steckachsen an den Hinterrädern.
- Klettverschluss am Sitz und an der Rückenlehne
- Reifen, Reifendruck und Feststellbremsen.

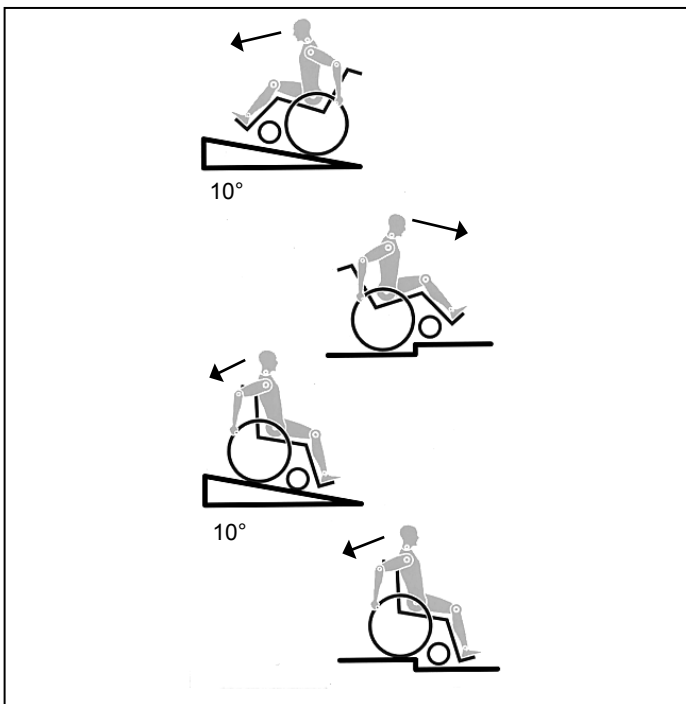
Sollten irgendwelche Veränderungen an den Einstellungen vorgenommen werden, ist es wichtig, den entsprechenden Abschnitt der Gebrauchsanweisung zu lesen.

Besonders beim Befahren von Steigungen oder Gefällen können Schlaglöcher oder unebener Untergrund den Rollstuhl zum Kippen bringen. Wird eine Stufe oder ein Anstieg vorwärts befahren, sollte der Körper nach vorne geneigt sein.



GEFAHR!

- Überschreiten Sie NIEMALS die Höchstlast von 125 kg für den Fahrer plus mitgeführte Gegenstände. Das Überschreiten der Maximalen Zuladung kann zu Schäden am Stuhl, zu Fallen oder Kippen aus dem Rollstuhl, Verlust der Kontrolle, oder zu schweren Verletzungen des Fahrers und anderer Personen führen.
- Tragen Sie im Dunklen möglichst helle Kleidung oder Kleidung mit Reflektoren, um besser gesehen werden zu können. Achten Sie darauf, dass die seitlich und rückwärtig am Rollstuhl angebrachten Reflektoren gut sichtbar sind.
- Wir empfehlen Ihnen auch das Anbringen einer aktiven Beleuchtung.
- Um Stürze und gefährliche Situationen zu vermeiden, sollten Sie den Umgang mit Ihrem neuen Rollstuhl erst auf ebenem, überschaubarem Gelände üben.
- Benutzen Sie zum Ein- oder Aussteigen aus dem Rollstuhl nicht die Fußbretter.
- Diese sollten vorher hochgeklappt und möglichst nach außen weggeschwenkt werden. Begeben Sie sich immer so nah wie möglich an die Stelle, an der Sie umsteigen möchten.



- Lassen Sie bei der Benutzung des Rollstuhls immer Vorsicht walten. Vermeiden Sie z.B. ein ungebremstes Fahren gegen ein Hindernis (Stufen, Bordsteinkante) oder Herunterfahren von Kanten.
- Die Feststellbremsen sind nicht dazu gedacht, Ihren Rollstuhl während der Fahrt zu bremsen. Sie sichern den Rollstuhl gegen das Wegrollen. Wenn Sie auf unebenem Untergrund anhalten, ziehen Sie immer die Feststellbremse an, damit sich der Rollstuhl nicht plötzlich bewegen kann. Ziehen Sie die Bremsen auf beiden Seiten an, sonst könnte der Stuhl kippen.
- Erforschen Sie die Auswirkungen von Schwerpunktverlagerungen auf das Verhalten des Rollstuhls, zum Beispiel auf Gefällstrecken, Steigungen, sämtlichen Neigungen oder beim Überwinden von Hindernissen nur mit sicherer Unterstützung eines Helfers.
- Bei extremen Einstellungen (z.B. Antriebsräder in vorderster Position) und ungünstiger Körperhaltung kann der Rollstuhl bereits auf ebener Fläche kippen.
- Neigen Sie Ihren Oberkörper beim Befahren von Steigungen und Stufen weit nach vorn.
- Lehnen Sie Ihren Oberkörper beim Befahren von Neigungen und Stufen weiter nach hinten. Versuchen Sie keinesfalls, Gefälle diagonal hinauf oder hinunter zu fahren.
- Vermeiden Sie Rolltreppen, da diese bei einem Sturz schwere Verletzungen verursachen können.
- Den Rollstuhl nicht an Gefällen bzw. Steigungen von mehr als 10° verwenden. Die dynamische Stabilität an Gefällen hängt von der Konfiguration des Rollstuhls, den Fertigkeiten und dem Fahrstil des Benutzers ab. Da die Fertigkeiten des Benutzers und der Fahrstil nicht vorherbestimmt werden können, kann der Höchstwert für das sichere Gefälle nicht bestimmt werden. Dieser muss vom Benutzer mit Hilfe einer Begleitperson ermittelt werden, um das Umkippen zu verhindern. Für unerfahrene Benutzer wird der Einbau von Sicherheitsrädern dringend empfohlen.
- Besonders beim Befahren von Steigungen oder Gefällen können Schlaglöcher oder unebener Untergrund den Rollstuhl zum Kippen bringen.
- Den Rollstuhl nicht auf schlammigem oder vereistem Grund verwenden.
- Den Rollstuhl nur dort verwenden, wo auch Fußgänger zugelassen sind.
- Zur Vermeidung von Handverletzungen greifen Sie bei der Fahrt mit dem Rollstuhl nicht zwischen die Speichen oder zwischen das Antriebsrad und die Radbremse.
- Bei Verwendung von Leichtmetallgreifringen kann es beim Abbremsen aus schneller Fahrt oder auf längeren Gefällestrecken zum Erhitzen der Greifringe kommen.
- Treppen dürfen nur mit Hilfe von Begleitpersonen überwunden werden. Sind dafür Einrichtungen wie z.B. Auffahrrampen oder Aufzüge vorhanden, so sind diese zu benutzen. Fehlen solche Einrichtungen, ist der Rollstuhl anzukippen und über die Stufen zu führen (2 Helfer). Wir empfehlen, Benutzer mit einem Körpergewicht über 100 kg nicht auf diese Weise zu transportieren. Generell müssen montierte Sicherheitsräder zuvor so eingestellt werden, dass sie beim Transport nicht auf die Stufen aufsetzen können, da es sonst zu schweren Stürzen kommen kann. Anschließend müssen die Sicherheitsräder wieder korrekt eingestellt werden.
- Achten Sie darauf, dass die Begleitpersonen den Rollstuhl nur an fest montierten Bauteilen anfassen. Keine abnehmbaren Teile (z.B. die Fußrasten oder Seitenteile) dafür verwenden.
- Achten Sie beim Benutzen von Hebebühnen darauf, dass sich montierte Sicherheitsräder außerhalb des Gefahrenbereichs befinden.
- Sichern Sie Ihren Rollstuhl auf unebenem Gelände oder beim Umsteigen (z. B. ins Auto) durch Betätigen der Bremse.

GEFAHR!

- Wenn und wann immer möglich, sollten Fahrzeuginsassen während der Fahrt in einem Behindertentransportkraftwagen (BTW) die im Fahrzeug installierten Sitze und die dazugehörigen Rückhaltesysteme nutzen. Nur so sind Insassen bei einem Unfall optimal geschützt.
- Abhängig von Durchmesser und Einstellung der Lenkräder sowie der Schwerpunkteinstellung des Rollstuhls kann bei höheren Geschwindigkeiten ein Flattern der Lenkräder auftreten. Dies kann zu einem Blockieren der Lenkräder und zum Kippen des Rollstuhls führen. Achten Sie daher auf eine korrekte Einstellung der Lenkräder (siehe Kapitel "Lenkräder").
- Befahren Sie insbesondere Gefällstrecken nicht ungebremst, sondern mit reduzierter Geschwindigkeit. Die Verwendung von Sicherheitsrädern ist bei ungeübten Nutzern unbedingt empfehlenswert.
- Die Sicherheitsräder sollen ein unbeabsichtigtes Kippen nach hinten verhindern. Keinesfalls sollen sie die Funktion von Transitrollen übernehmen, etwa um eine Person bei abgenommenen Antriebsrädern im Rollstuhl zu transportieren.
- Achten Sie beim Ergreifen von Gegenständen (die vor, seitlich oder hinter dem Rollstuhl liegen) darauf, dass Sie sich nicht zu weit aus dem Rollstuhl lehnen, da durch Schwerpunktverlagerung eine Kipp- bzw. Überschlaggefahr besteht. Das Aufhängen von zusätzlichen Lasten (Rucksack oder ähnliche Gegenstände) an die Rückenpfosten Ihres Rollstuhls kann die Stabilität Ihres Rollstuhls nach hinten beeinträchtigen, vor allem, wenn der Rückenwinkel nach hinten verstellt wurde. Der Rollstuhl kann dadurch nach hinten kippen und Verletzungen verursachen.
- Bei Oberschenkelamputation müssen die Sicherheitsräder verwendet werden.
- Achten Sie vor Fahrtantritt auf den korrekten Luftdruck der von Ihnen verwendeten Bereifung. Bei den Antriebsrädern muss er mindestens 3,5 bar (350 kPa) betragen. Der max. Luftdruck ist am Reifen angegeben. Die Kniehebelbremsen sind nur bei ausreichendem Luftdruck und korrekter Einstellung wirksam (siehe Kapitel "Bremsen").
- Sollte die Sitz- und Rückenbespannung beschädigt sein, tauschen Sie diese bitte umgehend aus.
- Vorsicht beim Umgang mit Feuer, insbesondere brennenden Zigaretten. Sitz- und Rückenbespannung könnten sich entzünden.
- Wenn der Rollstuhl längere Zeit direkter Sonneneinstrahlung / niedrigen Temperaturen ausgesetzt war, können Teile des Rollstuhls (z.B. Rahmen, Fußrasten, Bremsen und Seitenteile) sehr heiß (>41°C) bzw. sehr kalt (<0°) werden.
- Achten Sie immer darauf, dass die Steckachsen an den Hinterrädern (falls eingebaut) richtig eingestellt sind und ganz einrasten (Kugellager sind ganz durch die Achsaufnahme sichtbar). Bei nicht gedrücktem Knopf der Steckachse darf sich das Antriebsrad nicht entfernen lassen.

VORSICHT!

- Sowohl die Wirkung der Kniehebelbremse als auch das allgemeine Fahrverhalten sind vom Luftdruck abhängig. Mit korrekt aufgepumpten Antriebsrädern und gleichem Luftdruck auf beiden Rädern lässt sich Ihr Rollstuhl wesentlich leichter und besser manövrieren.
- Achten Sie auf eine ausreichende Profiltiefe Ihrer Bereifung!
- Beachten Sie bitte, dass Sie bei Fahrten im öffentlichen Straßenverkehr der Straßenverkehrsordnung unterliegen.
- Lassen Sie bei der Handhabung und beim Einstellen des Rollstuhls immer Vorsicht walten!
- Anpassungen, für die Werkzeug benötigt wird, sollten nur von autorisierten Fachhändlern vorgenommen werden.
- Reinigen Sie den Rollstuhl regelmäßig, um Rostbildung und Korrosion durch Salz zu vermeiden.
- Überprüfen Sie die Nieten, Muttern und Schrauben, um sicherzustellen, dass sie fest sitzen und sich keine Rollstuhlteile lösen.
- Bei allen beweglichen Teilen besteht immer die Gefahr, dass die Finger eingeklemmt werden können. Bitte immer vorsichtig handhaben.

- Die Rollstühle, die in diesem Handbuch abgebildet und beschrieben sind, entsprechen möglicherweise nicht in allen Einzelheiten genau Ihrem eigenen Modell. Dennoch sind alle Anweisungen trotz möglicher Detailunterschiede völlig relevant.
- Der Hersteller behält sich das Recht vor, Gewichte, Abmessungen oder andere in diesem Handbuch aufgeführte technische Daten ohne vorherige Benachrichtigung zu ändern. Alle in diesem Handbuch aufgeführten Zahlenangaben, Abmessungen und Kapazitäten sind ungefähr und stellen keine präzisen technischen Daten dar.

Lebensdauer

Die erwartete Lebensdauer des Rollstuhls beträgt 5 Jahre, vorausgesetzt:

Die bestimmungsgemäße Verwendung wird genau beachtet
Alle Anforderungen in Bezug auf Service und Wartung werden erfüllt.

Garantie**GARANTIE**

DIES BESCHRÄNKT IHRE GESETZLICHEN RECHTE IN KEINER WEISE.

Garantiebedingungen

1) Reparatur oder Ersatz erfolgt durch den autorisierten Sunrise Medical Fachhandel.

2) Um die Garantiebedingungen zu erfüllen, falls an Ihrem Rollstuhl unter diesen Vereinbarungen eine Wartung durchgeführt werden muss, benachrichtigen Sie umgehend den bezeichneten Sunrise Medical Kundendienst mit genauen Angaben über die Art der Schwierigkeiten. Sollten Sie das Produkt an einem Ort außerhalb des Zuständigkeitsbereichs des bezeichneten Sunrise Medical Kundendienstes verwenden, wird die Arbeit unter den „Garantiebedingungen“ von einem anderen, vom Hersteller bezeichneten Kundendienst ausgeführt.

3) Sollte ein Teil oder Teile des Rollstuhls innerhalb von 24 Monaten (5 Jahre für Rahmen- und Kreuzstrebe) nach Eigentumsübertragung an den ursprünglichen Käufer und vorausgesetzt, dass dieser dann noch Eigentümer des Rollstuhls ist, Reparaturen oder eine Auswechslung benötigen als Folge eines spezifischen Herstellungs- und Materialfehlers, wird das Teil bzw. werden die Teile repariert oder kostenlos ausgewechselt, wenn der Rollstuhl an den autorisierten Kundendienst zurückgeschickt wird.
Hinweis: Diese Garantie ist nicht übertragbar.

4) Die Garantie gilt auch für alle reparierten oder ausgetauschten Teile für die auf dem Rollstuhl verbleibende Garantiedauer.

5) Auf Teile, die nach Ablauf der ursprünglichen Garantie ersetzt werden, wird für weitere drei Monate Garantie gegeben.

6) Verschleißteile sind normalerweise von der Garantie ausgenommen, außer der vorzeitige Verschleiß dieser Teile wurde unmittelbar durch den ursprünglichen Fabrikationsfehler verursacht. Zu diesen Teilen gehören u.a. Bespannungen, Reifen, Schläuche und ähnliche Teile.

7) Die obigen Garantiebedingungen gelten für alle Produkt-Teile von Modellen, die zum vollen Verkaufspreis erstanden wurden.

8) Normalerweise haften wir nicht, wenn eine Reparatur oder Ersatz des Rollstuhls aus den folgenden Gründen erforderlich ist:

a) Das Produkt oder Teile davon wurden nicht korrekt gewartet oder im Einklang mit den Empfehlungen des Herstellers (siehe Angaben in der Gebrauchsanweisung und / oder im Technischen Handbuch) instand gehalten. Verwendung von anderem als dem spezifizierten Originalzubehör.

b) Der Rollstuhl oder ein Teil des Rollstuhls wurde durch Nachlässigkeit, Unfall oder unsachgemäße Verwendung beschädigt.

c) Änderungen am Rollstuhl oder an Teilen, die von den Spezifikationen des Herstellers abweichen oder Ausführung von Reparaturen vor der Benachrichtigung des Kundendienstes.

d) Wenn am Rollstuhl Korrosion auftritt, die auf unsachgemäße Wartung zurückzuführen ist

Transport

⚠ GEFAHR!

Bei Nichtbeachtung dieser Ratschläge besteht die Gefahr von schweren Körperverletzungen und sogar Lebensgefahr!

Transport Ihres Rollstuhls in einem Fahrzeug:

Ein in einem Fahrzeug gesicherter Rollstuhl bietet nicht die gleiche Sicherheit wie das Sitzsystem eines Fahrzeugs. Wir empfehlen immer, dass der Benutzer in das Sitzsystem des Fahrzeugs umsteigt. Wir erkennen an, dass es in der Praxis nicht immer möglich ist, dass der Benutzer umsteigt und in diesem Fall müssen die folgenden Ratschläge beachtet werden, wenn der Benutzer im Rollstuhl sitzend transportiert werden muss:

1. Überprüfen Sie, dass das Fahrzeug für den Transport eines Insassen in einem Rollstuhl ausgestattet ist und über einen für Ihren Rollstuhltyp geeigneten Zugang/Ausgang verfügt. Das Fahrzeug muss über eine ausreichende Tragkraft für das Gesamtgewicht, d.h., das Körpergewicht des Benutzers und das Gewicht von Rollstuhl und Zubehör, verfügen.
2. Um den Rollstuhl herum sollte genügend Platz zur Verfügung stehen, damit das Rückhaltesystem und die Sicherheitsgurte des Rollstuhls und für den Benutzer angelegt, festgezogen und wieder geöffnet werden können.
3. Wenn sich der Benutzer im Rollstuhl befindet, muss dieser vorwärts gerichtet stehen und mit den Befestigungsgurten für den Rollstuhl und den Sicherheitsgurten des Rollstuhls (Befestigungsgurte gemäß WTORS müssen den Anforderungen von ISO 10542 oder SAE J2249 entsprechen) gemäß der Gebrauchsanweisung des Herstellers des Rückhaltesystems (WTORS) befestigt werden.
4. Der Rollstuhl wurde für den Transport in einem Fahrzeug in einer anderen Stellung nicht geprüft, so darf z.B. der Rollstuhl keinesfalls seitlich gerichtet transportiert werden (Fig. A).
5. Der Rollstuhl muss mit einem Rückhaltesystem gemäß ISO 10542 oder SAE J2249 mit nicht verstellbaren Gurten vorne und verstellbaren Gurten hinten gesichert werden, dabei handelt es sich normalerweise um Karabinerhaken/S-förmige Haken sowie um Steckverschlüsse. Die Rückhaltesysteme bestehen normalerweise aus 4 Einzelgurten, die an den vier Ecken des Rollstuhls befestigt werden.
6. Das Rückhaltesystem muss wie auf der nächsten Seite abgebildet am Fahrgestell des Rollstuhls und nicht an Anbauten oder Zubehör, z.B. nicht um die Speichen der Räder, die Bremse oder Fußraste befestigt werden.

7. Das Rückhaltesystem muss so nah wie möglich mit einem Winkel von 45 Grad angebracht und gemäß der Bedienungsanleitung des Herstellers sicher befestigt werden.

8. Ohne Rücksprache mit dem Hersteller dürfen an den Befestigungspunkten des Rollstuhls oder an Bauteilen des Fahrgestells und des Rahmens keine Änderungen vorgenommen bzw. diese nicht ausgewechselt werden. Bei Nichtbeachtung dieser Vorgabe dürfen Sunrise Medical Rollstühle nicht in Fahrzeugen transportiert werden.

9. Der Benutzer muss sowohl mit dem Beckengurt als auch mit dem Schultergurt angeschnallt werden, um die Wahrscheinlichkeit eines Aufpralls von Kopf und Brust auf die Bauteile des Fahrzeugs und schwere Körperverletzungen beim Benutzer und anderen Fahrzeuginsassen zu verringern. (Fig. B) Der Schultergurt muss an der "B"-Säule des Fahrzeugs befestigt werden - bei Nichtbeachtung erhöht sich die Gefahr von schweren Bauchverletzungen für den Benutzer.

10. Eine für den Transport geeignete Kopfstütze (siehe Aufkleber an der Kopfstütze) muss eingebaut und während des Transports stets richtig angebracht sein.

11. Haltevorrichtungen (Beckenriemen, Beckengurte) dürfen bei der Fahrt nur zur Sicherung des Rollstuhlbenutzers verwendet werden, wenn auf dem Etikett angegeben ist, dass sie die Anforderungen von ISO 7176-19:2001 oder SAE J2249 erfüllen.

12. Die Sicherheit des Benutzers während des Transports hängt von der Sorgfalt ab, mit der das Rückhaltesystem befestigt wird, die Person, von der die Befestigung ausgeführt wird, sollte in der Bedienung des Systems unterwiesen bzw. geschult sein.

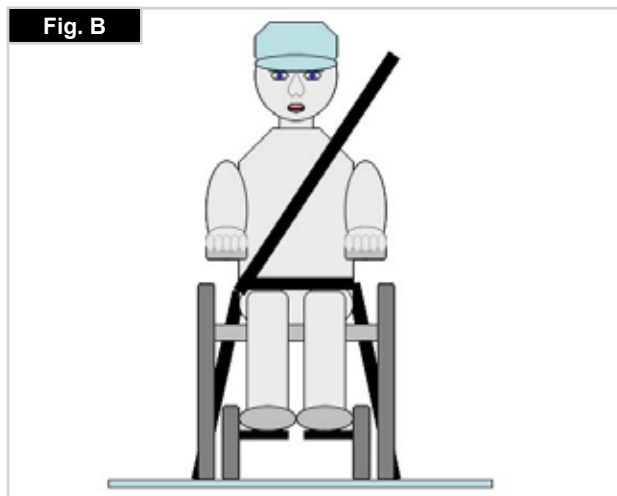
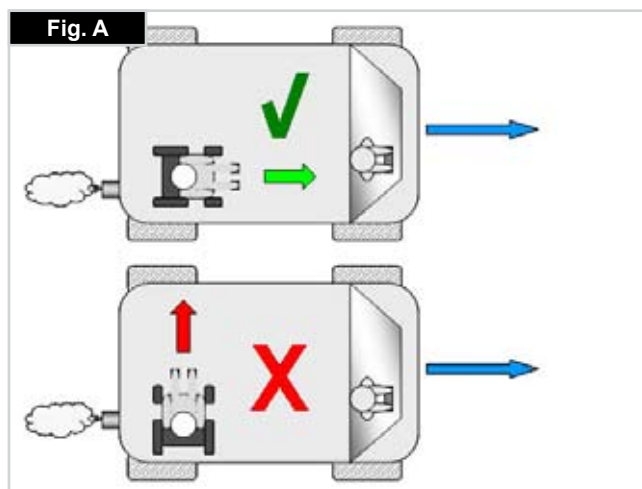
13. Soweit möglich sollten alle Hilfsmittel vom Rollstuhl abgenommen und sicher verstaut werden wie etwa: Krücken, lose Kissen und Therapietische.

14. Hochschwenkbare/höhenverstellbare Fußrasten dürfen nicht hochgestellt sein, wenn der Benutzer im Rollstuhl sitzend transportiert wird und der Rollstuhl mit einem Rückhaltesystem und Sicherheitsgurt gesichert ist.

15. Verstellbare Rücken müssen in die aufrechte Position gebracht werden.

16. Die manuelle Bremse muss fest angezogen werden.

17. Die Sicherheitsgurte müssen an der "B"-Säule des Fahrzeugs angebracht werden und dürfen nicht durch Rollstuhlteile wie Armlehnen oder Räder vom Körper ferngehalten werden.



Transport

ANLEITUNG FÜR DAS ANSCHNALLLEN DES ROLLSTUHLBENUTZERS:

1. Der Beckengurt muss unten an der Vorderseite des Beckens getragen werden, so dass der Winkel des Beckengurts innerhalb des bevorzugten Bereichs von 30 bis 75 Grad zur Horizontalen liegt. Ein steilerer (größerer) Winkel innerhalb des bevorzugten Bereichs ist wünschenswert, d.h., näher an 75°, aber keinesfalls darüber. (Fig. C)

2. Der Schultergurt muss wie in Fig. D und E gezeigt über die Schulter und quer über die Brust passen. Sicherheitsgurte müssen so fest wie möglich sitzen ohne den Benutzerkomfort zu beeinträchtigen. Sicherheitsgurte dürfen beim Gebrauch nicht verdreht sein. Der Schultergurt muss wie in Fig. D und E gezeigt über die Schulter und quer über die Schulter passen.

3. Die Befestigungspunkte am Rollstuhl befinden sich am vorderen inneren Seitenteil des Fahrgestells direkt über dem Lenkrad und am hinteren Seitenteil des Fahrgestells. Die Gurte werden um die Seitenteile des Fahrgestells an der Stelle befestigt, an der das waagrechte und das senkrechte Rohr aufeinandertreffen. (Siehe Fig. G - K)

4. Die Position der Befestigungsgurte für den Rollstuhl ist mit dem Symbol für den Befestigungspunkt (Fig. F) markiert. Wenn die vorderen Gurte zur Befestigung des Rollstuhls angebracht sind, werden die Gurte gestrafft.

Fig. C

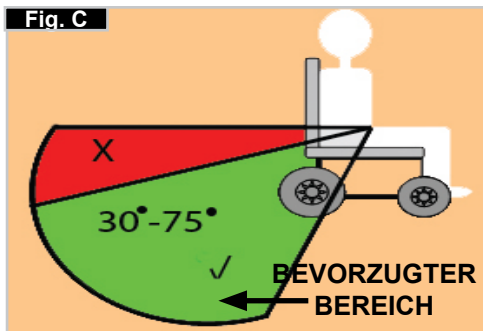


Fig. D



Fig. E

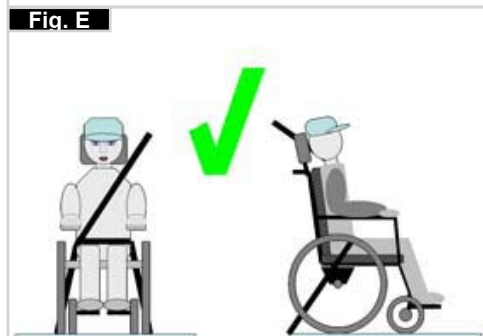
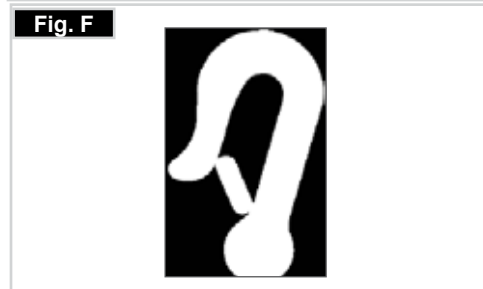
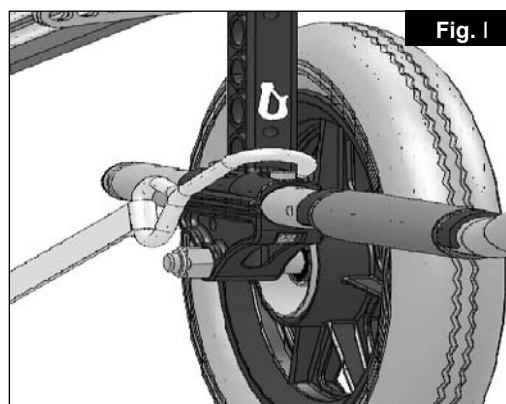
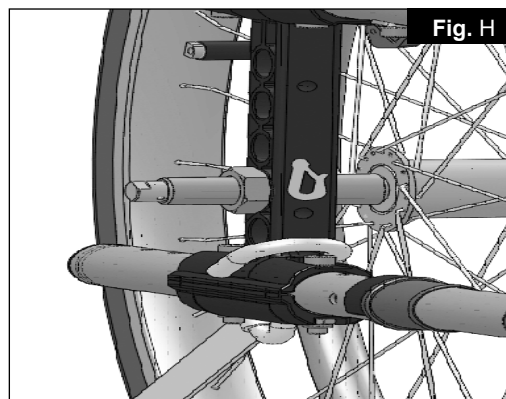
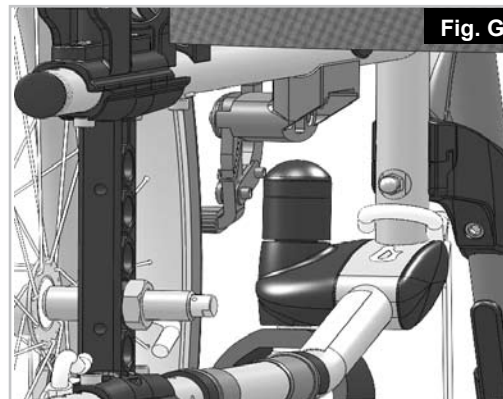


Fig. F



LAGE DER BEFESTIGUNGSPUNKTE FÜR DAS RÜCKHALTESYSTEM AM ROLLSTUHL:

1. Lage der vorderen und hinteren Verankerungsaufkleber (Fig. G-H-I).
2. Lage der vorderen (Fig. G) und hinteren (Fig. H-I) Aufkleber mit den Befestigungspunkten für das Rückhaltesystem am Rollstuhl und des Verankerungsaufklebers.
3. Seitenansicht der Befestigungsgurte (Fig. J).



Handhabung

FALTEN

Entfernen Sie zuerst das Sitzkissen vom Rollstuhl, und klappen Sie die Fußplatte oder die einzelnen Fußstützen nach oben. Ergreifen Sie die Schlinge bzw. die Sitzrohre in der Mitte, von unten her, und ziehen Sie sie nach oben. Der Rollstuhl klappt sich dann zusammen. Je nach Modell können Sie die Fußstützen abmontieren, um den Rollstuhl so klein wie möglich zu falten, z.B. um ihn in einem Auto zu verstauen. Zu diesem Zweck öffnen Sie den Riegel von außen, und schwenken Sie die Fußstütze zur Seite. Danach muss die Fußstütze nur noch aus ihrem Halterohr gezogen werden (Fig. 1).



ENTFALTEN

Drücken Sie auf die Sitzrohre (siehe Abbildung). Dadurch klappt der Rollstuhl auf. Lassen Sie dann die Sitzrohre im Sitzsattel einrasten. Es geht einfacher, wenn der Rollstuhl leicht gekippt wird, weil dadurch ein Hinterrad entlastet wird. **Achten Sie darauf, dass Sie die Finger nicht in der Kreuzstrebe einklemmen.** Bringen Sie dann den Sitz und die Rückenschale wieder an (Fig. 2).

Steckachsen beim Antriebsrad

Die Hinterräder sind mit Steckachsen ausgestattet. Damit können die Räder ohne Werkzeug montiert und abgenommen werden. Um ein Rad abzunehmen, drücken Sie einfach auf den Schnellverschlussknopf an der Achse (1), und ziehen Sie das Rad von der Achse (Fig. 3).



VORSICHT:

Halten Sie bei der Montage der Hinterräder den Schnellverschlussknopf auf der Achse niedergedrückt, wenn Sie die Achse in den Rahmen stecken. Beim Loslassen des Knopfs rastet das Rad ein, und der Schnellverschlussknopf springt in seine Ausgangsposition zurück.

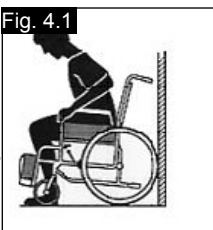
ALLEINE IN IHREN ROLLSTUHL EINSTEIGEN (FIG. 4.0)

- Den Rollstuhl an eine Wand oder ein solides Möbelstück schieben;
- Die Bremse anziehen;
- Die Fußplatten nach oben klappen;
- Der Benutzer kann sich dann selbst in den Rollstuhl herablassen;
- Die Fußplatten dann nach unten klappen und die Füße vor den Fersenbändern darauf abstützen.



ALLEINE AUS IHREM ROLLSTUHL AUSSTEIGEN (FIG. 4.1)

- Die Bremse anziehen;
- Die Fußplatten mit Gelenk nach oben klappen;
- Die Fußplatten mit Gelenk nach oben klappen; die Person leicht nach vorne beugen, um das Körpergewicht auf die Vorderkante des Sitzes zu verlagern und mit beiden Füßen fest auf dem Boden und einem Fuß hinter dem anderen in die aufrechte Position schieben.



⚠️ WARNUNG!

- Beim Stehen nicht auf die Fußplatten stellen, da der Rollstuhl sonst umkippt. Das Einsteigen in Ihren Rollstuhl ist einfacher und sicherer, wenn Sie die Fußplatten nach oben klappen und zur Seite schieben oder sie vom Rollstuhl abnehmen.
- Vor dem Einsteigen in den oder Aussteigen aus dem Rollstuhl immer die Radbremse anziehen.

Optionen – Ankippbügel

ANKIPPBÜGEL

Ankippbügel werden vom Helfer benutzt, um den Rollstuhl über ein Hindernis zu kippen. Um den Rollstuhl zum Beispiel auf einen Bordstein oder eine Stufe zu schieben, tritt man einfach mit dem Fuß auf die Stange (Fig. 5).



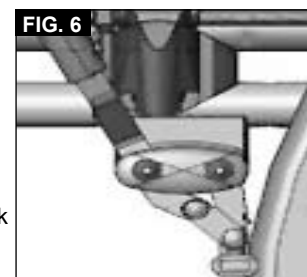
⚠️ VORSICHT!

Sunrise Medical empfiehlt bei Modellen mit Transitrollen dringend, einen Ankippbügel zu verwenden. Dies gilt auch für Modelle, die vorwiegend von einer Begleitperson geschoben werden, da die Rückenrohre beschädigt werden können, wenn sie zum Überwinden von Hindernissen ständig nach hinten gezogen werden.

Optionen - Bremsen

FESTSTELLBREMSEN

Ihr Rollstuhl ist mit zwei Feststellbremsen ausgestattet, die direkt gegen die Räder geführt werden. Um die Feststellbremsen anzuziehen, drücken Sie beide Bremshebel nach vorn, gegen den Anschlag. Zum Loslassen der Bremse ziehen Sie die Hebel zurück in ihre Ausgangsposition.

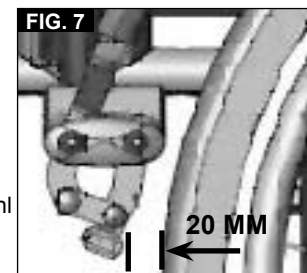


Die Bremsen sind weniger wirksam bei:

- abgefahrenem Reifenprofil
- zu niedrigem Reifendruck
- nassen Reifen
- inkorrektener Einstellung

Die Feststellbremsen sind nicht als Bremsen für den fahrenden Rollstuhl entworfen. Die Feststellbremsen dürfen daher nicht zum Abbremsen des Stuhls verwendet werden.

Benutzen Sie dazu immer die Hände. Achten Sie darauf, dass der Abstand zwischen den Reifen und den Feststellbremsen mit den angegebenen Spezifikationen übereinstimmt. Der Abstand wird justiert, indem Sie die Schraube lockern und den richtigen Abstand einstellen. Die Schraube dann wieder anziehen (Fig. 6-7).



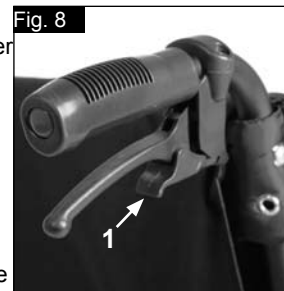
⚠️ VORSICHT!

Prüfen Sie den Abstand der Feststellbremsen nach jeder Justierung des Hinterrads und stellen Sie ihn gegebenenfalls neu ein. Wenn die Feststellbremse zu nah am Rad montiert ist, erfordert die Betätigung einen höheren Kraftaufwand. Dadurch kann es zu Bruch des Verlängerungshebels kommen!

Wenn Sie sich beim Ein- und Aussteigen auf den Verlängerungshebel stützen, bricht der Verlängerungshebel ab! Spritzwasser von den Rädern kann zur Fehlfunktion der Feststellbremsen führen.

TROMMELBREMSEN

Trommelbremsen stellen für den Helfer eine sichere und geeignete Bremsmethode dar. Die Bremsen können ebenfalls mit einem Verschlusshebel (1) angezogen werden, um das Wegrollen zu verhindern. Der Hebel muss hörbar einrasten. Die Trommelbremsen werden nicht vom Reifendruck beeinflusst. Wenn die Trommelbremse angezogen ist, kann sich der Rollstuhl nicht bewegen (Fig. 8).



⚠️ VORSICHT!

Trommelbremsen dürfen nur von zugelassenen Fachhändlern justiert werden.

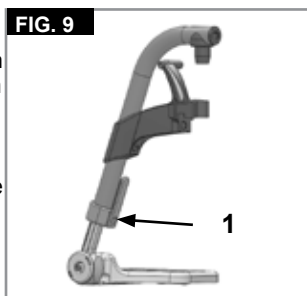
Optionen - Fußplatten

FUSSPLATTEN:

Die Fußplatten können hochgeklappt werden, um das Ein- und Aussteigen zu erleichtern.

Unterschenkellänge:

Für Fahrer mit längeren Beinen kann die Beinstütze mittels der Schrauben (1) entsprechend abgesenkt werden. Lockern Sie die Schrauben, schieben Sie die Rohre auf die gewünschte Position, und ziehen Sie die Schrauben wieder fest (siehe unter Drehmoment).



Die Fußplatten müssen mindestens 2,5 cm Abstand vom Boden haben (Fig. 9).

Winkelverstellbares Fußbrett

Es kann in seinem Neigungswinkel zur Ebene verstellt werden. Schraube lösen, nach innen abziehen, den gewünschten Winkel einstellen und wieder aufschieben. Die Schraube nach der Einstellung wieder festziehen.

Achten Sie darauf, dass nach den Umbauarbeiten alle Schrauben fest angezogen sind (siehe Seite Drehmoment). Achten Sie darauf, dass Sie den Mindestabstand (2,5 cm) zum Boden einhalten (Fig. 10).



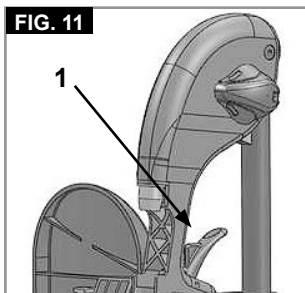
VORSICHT!

- Der Rollstuhl darf nicht an den Beinstützen angehoben oder getragen werden.
- Benutzen Sie zum Ein- oder Aussteigen aus dem Rollstuhl nicht die Fußbretter. Sie müssen vorher hochgeklappt werden oder die Fußraste muss so weit wie möglich nach außen geschwenkt werden.

OPTION HÖHENVERSTELLBARE FUSSRASTE

(Fig. 11-13)

Zum Abnehmen den Hebel (1) betätigen, die Fußplatte nach außen schwenken und die Fußraste herausheben.



HÖHENEINSTELLUNG:

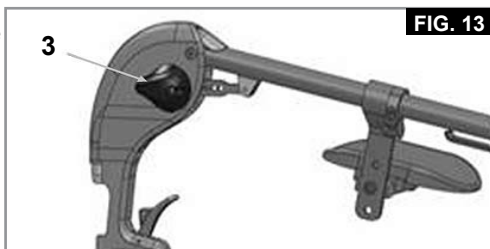
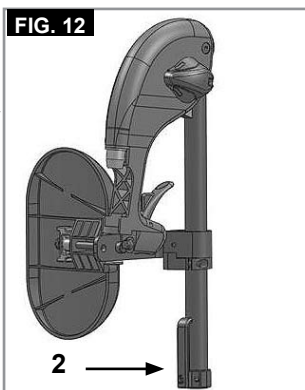
Die Unterschenkellänge kann durch Lösen der Schraube (2) stufenlos verstellt werden. Auf eine passende Höhe einstellen und die Schraube wieder festziehen.

VORSICHT!

Der Abstand zwischen der Fußplatte und dem Boden muss mindestens 25 mm betragen.

EINSTELLEN DES WINKELS:

Drücken Sie den Hebel (3) mit einer Hand nach unten und halten Sie die Fußraste mit der anderen Hand fest, um sie zu entlasten. Wenn der gewünschte Winkel erreicht ist, lassen Sie den Hebel los und die Fußraste rastet in eine der voreingestellten Positionen ein.

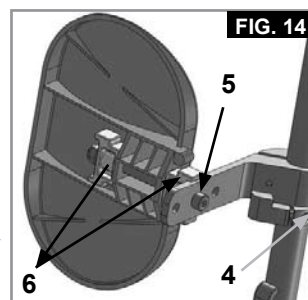


VERSTELLEN DES WADENPOLSTERS

(Fig. 14).

Das Wadenpolster kann wie folgt verstellt werden:

Höhe: Lösen Sie die Schraube (4) und schieben Sie das Klemmstück auf die gewünschte Position. Durch das Drehen des Klemmstücks kann auch der Winkel verstellt werden.
Tiefe: Lösen Sie die Schraube (5) und schieben Sie das Wadenpolster in die gewünschte Position.
Breite: Lösen Sie die Schraube (5) und bringen Sie die Distanzstücke (6) so hinter dem Polster an, dass die gewünschte Position erreicht ist.



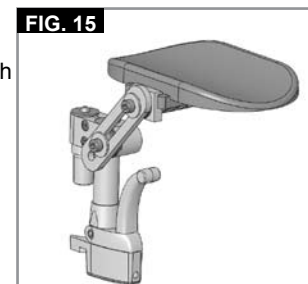
WARNUNG!

- Halten Sie beim Anheben oder Absenken der Fußraste die Hände vom Verstellmechanismus zwischen dem Fahrgestell und den beweglichen Teilen der Fußraste fern.
- Achten Sie immer darauf, dass die Befestigungsteile gesichert sind.
- Die Fußrasten dürfen nicht zum Anheben oder zum Tragen des Rollstuhls verwendet werden.
- Quetschgefahr! Greifen Sie beim Verstellen der Fußraste nach oben oder unten nicht in den Verstellmechanismus zwischen den beweglichen Teilen der Fußraste.

AMPUTATIONS AUFLAGE

(Fig. 15).

Die Amputationsauflage kann je nach Bedarf in alle Richtungen eingestellt werden.



Optionen - Lenkräder

LAUFRÄDER, LAUFRADPLATTEN, GABELN

Es kann vorkommen, dass der Rollstuhl einen leichten Rechts- oder Linksdrall entwickelt oder dass die Laufräder schlingern. Das kann folgende Gründe haben:

- Der Radlauf vorwärts oder rückwärts ist nicht richtig eingestellt.
- Der Laufradwinkel ist nicht richtig eingestellt.
- Der Druck im Laufrad und /oder Hinterrad ist nicht korrekt; die Räder drehen sich nicht sanft.

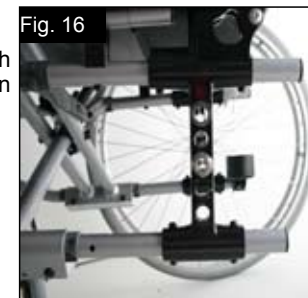
Der Rollstuhl kann nicht in einer geraden Linie fahren, wenn die Laufräder nicht richtig eingestellt sind. Die Laufräder müssen immer von einem zugelassenen Fachhändler eingestellt werden. Die Feststellbremse muss immer überprüft werden, wenn die Position des Hinterrads verstellt wurde.

Optionen – Lenkrad-Adapter

Die Sitzhöhe wird durch die Lenk- und Antriebsradposition festgelegt. Die Sitzhöhe kann durch das Verstellen der Position der Hinterräder und Lenkräder und durch die Verwendung von Distanzbuchsen verstellt werden.

VORSICHT!

Nach der SitzhöhenEinstellung, müssen alle Schrauben wieder festgezogen und die Bremse neu eingestellt werden.



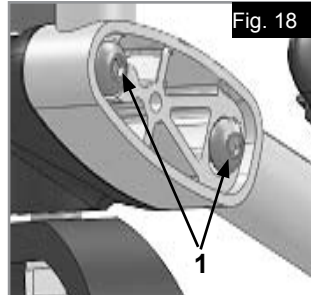
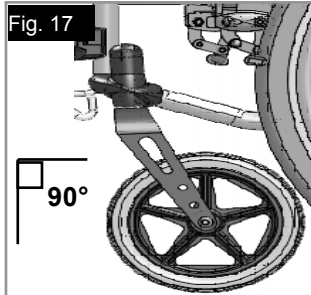
Optionen – Lenkrad-Adapter

HINWEIS:

Durch Veränderung der Lenk- /Antriebsradposition kann sich der Winkel der Lenkachse zum Boden verändern. Dieser sollte immer ca. 90° betragen.

EINSTELLUNG LENKACHSENWINKEL:

Die Schrauben (1) lösen, Lenkradadapter nach außen ziehen, 90° Winkel einstellen und anschließend Schrauben wieder fest anziehen (Fig. 17-18).



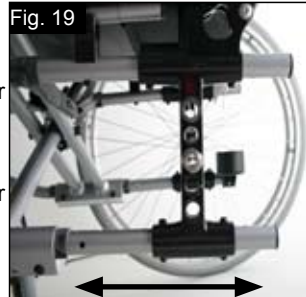
⚠ VORSICHT!

Der Lenkachsenwinkel muss auf beiden Seiten gleich eingestellt werden (anhand der Markierung prüfen).

HORIZONTALE ACHSPOSITION

Die Achsenplatte kann zur erhöhten Manövrierfähigkeit nach vorn oder zur größeren Stabilität nach hinten versetzt werden (Fig. 19).

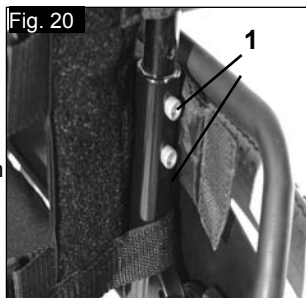
Je größer der Radstand, umso größer ist die Kippsicherheit des Rollstuhles.



Optionen - Rücken

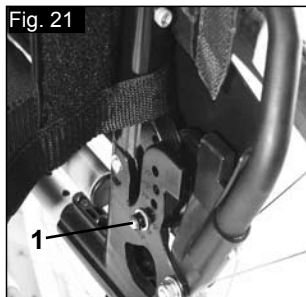
HÖHENVERSTELLBARE RÜCKENLEHNE

Die Höhe der Rückenlehne kann auf 2 bzw. 3 (Modelabhängig) verschiedene Positionen eingestellt werden (41 cm, 43,5 cm und 46 cm). Öffnen und entfernen Sie den Bolzen (1)+(2), und schieben Sie das Rückenlehnenrohr auf die gewünschte Position. Ziehen Sie die Bolzen wieder fest (Fig. 20).



RÜCKENWINKEL EINSTELLBAR

Der Winkel der Rückenlehne kann auf 6 verschiedene Positionen eingestellt (-5° vorwärts, 0°, 5°, 10°, 15° und 20° rückwärts). Zur Winkeleinstellung, müssen Sie die Schraube (1) entfernen, den gewünschten Winkel einstellen und die Schraube wieder anziehen (Fig. 21).



RÜCKENWINKEL VERSTELLBAR (7° - 30°)

Indem die beiden Hebel (1) gleichzeitig gezogen werden, wird die Rückenlehne entriegelt und kann in die gewünschte Position gebracht werden.

Beim Loslassen der beiden Hebel (1) verriegelt die Rückenlehne automatisch (Fig. 22).



⚠ VORSICHT!

- Es wird empfohlen, den winkelverstellbaren Rücken zusammen mit dem Verlängerungsrohr für das Antriebsrad zu verwenden.
- Es wird empfohlen, den winkelverstellbaren Rücken in Kombination mit Sicherheitsrädern (maximaler Bodenabstand 3 - 5 cm) zu verwenden.
- Es wird empfohlen, den winkelverstellbaren Rücken in Kombination mit einer Stabilisierstange zu verwenden.

RÜCKENLEHNE ABKLAPPBAR

Die Rückenlehne hochklappen: Zum Hochklappen der Rückenlehne die Schiebegriffe nach oben und vorne schieben, bis sie einrasten.

⚠ WARNUNG!

Finger und andere Gegenstände vom Klappmechanismus fernhalten, wenn die Rückenlehne abgeklappt wird, um Verletzungen oder Sachschäden zu vermeiden.



Rückenlehne abklappen:

Die Rückenlehne kann abgeklappt werden, um den Transport des Rollstuhls zu erleichtern.

⚠ VORSICHT!

Nicht unter Belastung durchführen, da dadurch der Hebel abbrechen kann.

Um die Rückenlehne nach vorne zu klappen, stellen Sie sich hinter den Rollstuhl und drücken Sie die zwei kleinen Hebel (Fig. 23 - 24) die sich an beiden Seiten der Rückenlehne befinden (direkt über den Armlehnen). Klappen Sie den Rücken nach vorne.



ANPASSBARE RÜCKENBESPANNUNG

Die anpassbare Rückenbespannung kann an mehreren Bändern in der Spannung angepasst werden (Fig. 25).

⚠ VORSICHT!

Ziehen Sie die Spanngurte nicht zu straff, damit der Klappmechanismus des Stuhls nicht behindert wird.



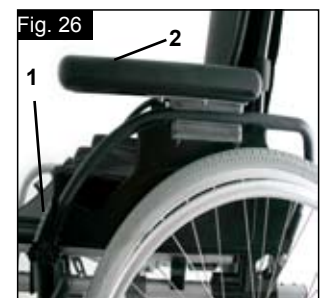
Optionen – Seitenteil

STANDARD-SEITENTEIL, SEITENTEIL, HOCHSCHWENKBAR, ABNEHMBAR MIT KURZER / LANGER ARMAUFLAGE, HÖHENVERSTELLBAR MIT KURZER/LANGER ARMAUFLAGE

Das nach vorne abgerundete Seitenteil ermöglicht Ihnen, nahe an einen Tisch heranzufahren. Zum Hochschwenken drücken Sie den

Hebel (1), damit das Seitenteil entriegelt wird (Fig. 26 und 27).

Die Höhe der Armauflage (2) kann durch unterschiedlichen Einbau der Abstandshalter eingestellt werden. Hierzu sind die Schrauben zu lösen, die Abstandshalter umzustecken und die Schrauben wieder fest anzuziehen. Die Länge der Armlehne kann verstellt werden, dazu die Schrauben (3) lösen, dann die Armlehne auf die gewünschte Position schieben und die Schrauben wieder festziehen (Fig. 27).



Optionen – Seitenteil

⚠ VORSICHT!

Die Seitenteile, wie deren Armlehnen sind zum Anheben oder Tragen des Rollstuhles nicht geeignet.

⚠ VORSICHT!

Achten Sie bei der Höhenverstellung des Armpolsters auf Ihre Finger.

SEITENTEIL, HOCHSCHWENKBAR, ABNEHMBAR MIT KURZER / LANGER ARMAUFLAGE, HÖHENVERSTELLBAR

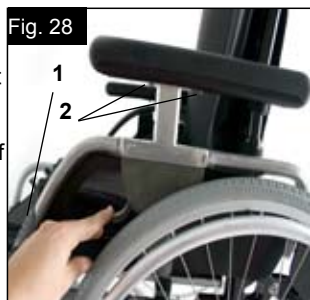
Die Armauflage kann folgendermaßen in der Höhe verstellt werden.

Drücken Sie den Hebel nach unten und verstellen Sie die Armauflage auf die gewünschte Höhe.

Lassen Sie den Hebel los und drücken Sie die Armauflage nach unten, bis sie hörbar einrastet.

Kontrollieren Sie immer, dass die Seitenteile richtig eingerastet sind.

Zum Hochklappen der Armlehne betätigen Sie den Hebel (1), um das Seitenteil zu entriegeln.



Die Länge der Armauflage kann eingestellt werden, indem Sie die Schrauben (2) lösen, die Armauflage in die entsprechende Position schieben und die Schrauben wieder anziehen (Fig. 28).

⚠ VORSICHT!

Die Seitenteile, wie deren Armlehnen sind zum Anheben oder Tragen des Rollstuhles nicht geeignet.

⚠ VORSICHT!

Bei Verwendung von 24" Antriebsrad muss das Armpolster eine Stufe nach oben versetzt werden.

HÖHENVERSTELLBARE ARMAUFLAGE MIT EINEM PFOSTEN

Zum Verstellen der Höhe den Hebel (1) betätigen und die Armauflage auf die gewünschte Höhe schieben.

Achten Sie dann darauf, dass der Hebel (1) wieder einrastet. Das Abnehmen der Armauflage erfolgt auf die gleiche Art.

Um das Seitenteil ganz abzunehmen, betätigen Sie den Hebel (2). Zum Anbringen des Seitenteils muss der Hebel (2) ebenfalls betätigt werden.

Achten Sie immer darauf, dass das Seitenteil richtig in die Aufnahme einrastet. (Fig. 29).



Optionen - Sicherheitsräder

SICHERHEITSRÄDER

Sicherheitsräder verschaffen unerfahrenen Rollstuhlbenutzern zusätzliche Sicherheit, wenn sie den Umgang mit dem Rollstuhl erlernen. Sie hindern den Rollstuhl daran, nach hinten zu kippen. Das Sicherheitsrad in das Rahmenrohr einstecken, bis der erste der zwei Verschlussknöpfe in das erste Loch am Rahmenrohr einrastet (Fig.30).



⚠ WARNUNG!

Bei falscher Einstellung der Sicherheitsräder kann der Rollstuhl nach hinten kippen. Beim Hinauffahren auf oder Herunterfahren von größeren Hindernissen (wie etwa Bordsteine) müssen Sie die Sicherheitsräder nach oben schwenken, damit sie den Boden nicht berühren, und sie dann in ihre normale Position zurückschwenken.

HINWEIS: Stecken Sie nicht beide Knöpfe des Sicherheitsrads in das Rahmenrohr ein, da die Sicherheitsräder dadurch beschädigt und ihre Wirksamkeit verloren gehen könnte. Durch Druck auf den Verschlussknopf können die Sicherheitsräder nach oben gestellt oder entfernt werden. Zwischen Rohr und Boden muss ein Abstand von 3 cm bis 5 cm verbleiben. Wenn Sie ein größeres Hindernis überwinden (z.B. einen Bordstein befahren), müssen die Sicherheitsräder nach oben gedreht werden, damit sie den Boden nicht berühren. Drehen Sie die Sicherheitsräder anschließend wieder auf die normal vorgesehene Stellung herunter (Fig. 30).

⚠ WARNUNG!

Bei falscher Einstellung der Sicherheitsräder kann der Rollstuhl nach hinten kippen.

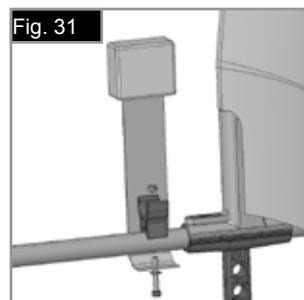
Optionen – Beckengurt

⚠ WARNUNG!

Vor der Benutzung des Rollstuhls sicherstellen, dass der Sicherheitsgurt angelegt und richtig eingestellt ist.

Der Beckengurt ist wie abgebildet am Rollstuhl angebracht. Der Gurt besteht aus 2 Hälften. Diese werden mit der Befestigungsschraube für die Haltestange befestigt, die durch die Öse am Gurt gesteckt wird. Der Gurt wird unter der Rückseite des Seitenteils entlang geführt. (Fig. 31)

Bringen Sie den Gurt so an, dass sich die Schnallen in der Mitte des Sitzes befinden. (Fig. 32)



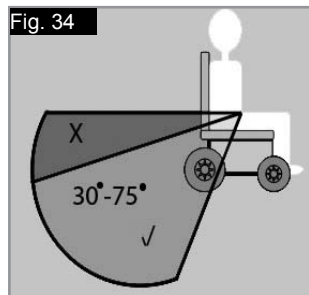
Passen Sie den Beckengurt wie folgt an den Benutzer an:

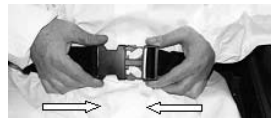


Gurt länger machen	Gurt kürzer machen	✓
Ausführung A	Ausführung A	Ausführung A
Ausführung B	Ausführung B	Ausführung B
Um den Gurt länger zu machen, übrige Gurtlänge durch die Schlaufen und den Einsteckteil des Steckverschlusses fädeln.	Übrige Gurtlänge durch den Einsteckteil des Steckverschlusses und die Schlaufe zurück fädeln.	Darauf achten, dass der Gurt am Einsteckteil des Steckverschlusses keine Schlinge aufweist.

Optionen – Beckengurt

Nach dem Anschnallen den Abstand zwischen dem Gurt und dem Benutzer prüfen. Bei richtiger Einstellung passt noch eine Handfläche zwischen den Gurt und den Benutzer. (Fig. 33)

Normalerweise sollte der Beckengurt so angebracht werden, dass sich die Gurte in einem Winkel von ca. 45° befinden; wenn er richtig eingestellt ist, darf der Benutzer im Sitz nicht nach unten rutschen. (Fig. 34)



	
	
<p>Zum Anschnallen: Das Einsteckteil des Steckverschlusses fest in das Gurtschloss stecken.</p>	<p>Zum Öffnen: Die sichtbaren Teile des Einsteckteils des Steckverschlusses gleichzeitig zusammendrücken und zur Mitte schieben oder die Lösetaste am Gurtschloss drücken und vorsichtig auseinanderziehen.</p>

HINWEISE FÜR DEN PATIENTEN

⚠ GEFAHR!

- Wenn Rollstuhl und Benutzer in einem Fahrzeug transportiert werden, verlassen Sie sich nicht nur auf den Beckengurt, benutzen Sie die separaten Beckengurte und diagonalen Schultergurte im Fahrzeug.
- Wir empfehlen, den Beckengurt vor der Benutzung darauf zu überprüfen, dass er richtig eingestellt ist und keine Behinderung oder übermäßige Abnutzung vorliegt und der Steckverschluss sicher im Gurtschloss einrastet.
- Wenn vor der Fahrt nicht überprüft wird, dass der Beckengurt gesichert und richtig eingestellt ist, könnte das schwere Körperverletzungen des Benutzers verursachen. Wenn z.B. der Gurt zu locker sitzt, kann der Benutzer im Rollstuhl nach unten rutschen und es besteht Erstickengefahr.

WARTUNG:

Prüfen Sie den Beckengurt und die Befestigungsteile in regelmäßigen Abständen auf Verschleißanzeichen oder Schäden. Je nach Bedarf muss er ausgetauscht werden. Den Beckengurt mit warmem Seifenwasser abwaschen und trocknen lassen.

⚠ GEFAHR!

Der Beckengurt muss wie oben beschrieben passend für den Fahrer eingestellt werden. Sunrise Medical empfiehlt auch, die Länge und Passform des Gurts regelmäßig zu überprüfen, um die Gefahr zu verringern, dass der Fahrer den Gurt aus Versehen zu lang einstellt. Wenn Sie Fragen zur Benutzung und Bedienung des Beckengurts haben, wenden Sie sich an Ihren, Rollstuhlhändler, Pfleger oder an Ihre Begleitperson.

Optionen - Sitz

STANDARD-SITZBESPANNUNG

Die Bespannung besitzt auf einer Seite einen Klettverschluss, damit sie stufenlos eingestellt werden kann. Zur Einstellung der Bespannung falten Sie den Stuhl. Ziehen Sie dann die vorderen Verschlusskappen nach vorne aus dem Rahmen. Die Bespannung kann dann vom Rahmen gezogen werden. Öffnen Sie den Klettverschluss, und stellen Sie die Bespannung ein. Zum Wiederanbringen der Bespannung kehren Sie die Prozedur um. (39)



⚠ VORSICHT!

- Für den sicheren Gebrauch müssen immer mindestens 50 % der Klettflächen ineinander greifen.
- Die Bespannung darf nicht zu straff angezogen werden, da sonst der Faltmechanismus des Stuhls behindert wird. Sitztiefe

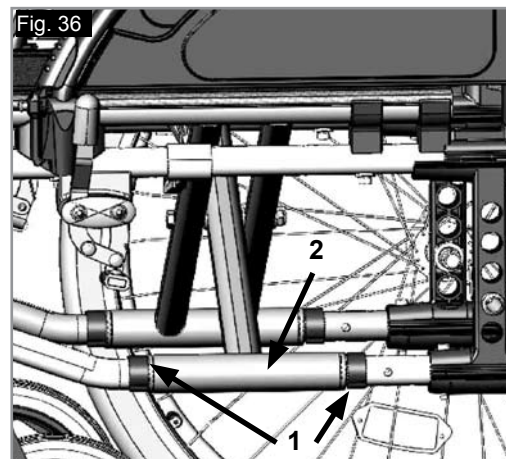
Optionen - Sitztiefe

SITZTIEFE

Durch Entfernen der Klips (1) kann die Kreuzstreben-Einheit (2) den Rahmen entlang geschoben werden, wodurch die Sitztiefe geändert wird (je nach der Position der Rückenrohre).

Vergewissern Sie sich, dass die Klips (1) in die vorgesehenen Löcher am Rahmen einschnappen.

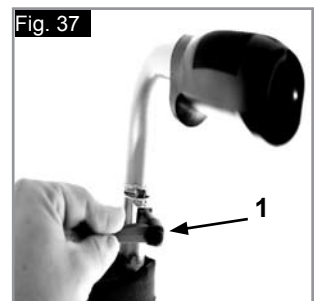
Um den Rahmen so kompakt wie möglich zu halten, kann die Sitztiefe auch mittels der Rückenrohre (41-46 cm in Stufen von 2,5 cm) eingestellt werden. Entfernen Sie dazu die Schrauben (1 und 2) an dem Rückenrohrhalter. Entfernen Sie die Räder und die Armlehnen, und prüfen Sie, ob die Kreuzstrebe in der gewünschten Position ist (verschieben Sie die Kreuzstrebe wie oben beschrieben). Bringen Sie die Rückenrohre in die gewünschte Schrauben wieder an. Bringen Sie dann das Aufnahmerohr für die Armlehne in die gewünschte Position. (Fig. 36).



Optionen - Schiebegriffe

HÖHENVERSTELLBARE SCHIEBEGRIFFE

Die Schiebegriffe sind mit Stiften gesichert, damit sie nicht herausrutschen können. Sie können die Schiebegriffe durch Öffnen des Entriegelungshebels (1) auf eine für Sie geeignete Höhe verstellen. Ziehen Sie den Entriegelungshebel (1) nach jeder Höhenverstellung der Schiebegriffe wieder fest. (Fig. 37).



⚠ VORSICHT!

Wenn der Hebel nicht fest sitzt, könnten Sie sich beim Befahren von Stufen verletzen.

Optionen - Stockhalter

STOCKHALTER

Mit dieser Vorrichtung können Gehhilfen direkt am Rollstuhl transportiert werden. Mit einer Klettschleife können Gehhilfen und andere Hilfsmittel befestigt werden (Fig. 38).



⚠️ WARNUNG!

Versuchen Sie niemals während der Fahrt die Gehhilfen oder andere Hilfsmittel aus dem Halter zu nehmen.

Optionen - Therapietisch

THERAPIETISCH

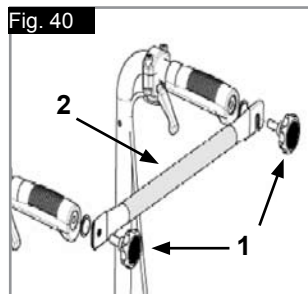
Der Therapietisch bietet eine Arbeitsfläche für die meisten Aktivitäten. Das Tablett muss vor der Benutzung von einem zugelassenen Fachhändler auf die jeweilige Sitzbreite eingestellt werden. Bei dieser Einstellung muss der Fahrer im Rollstuhl sitzen (Fig. 39).



Optionen - Stabilisierungsstange

STABILISIERUNGSSTANGE

Schrauben Sie den Sterngriff (1) auf und schwenken Sie die Stabilisierungsstange (2) zur Seite, bevor Sie den Rollstuhl falten. Zum Wiederaufbau des Rollstuhls den Vorgang in der umgekehrten Reihenfolge ausführen.



⚠️ GEFAHR!

- Stellen Sie vor der Benutzung des Rollstuhls sicher, dass die Stabilisierungsstange und die Sterngriffe angebracht und richtig befestigt sind.
- Heben Sie den Rollstuhl keinesfalls an der Stabilisierungsstange an!

Optionen - Transitrollen

TRANSITROLLEN

Transitrollen sollten immer dann benutzt werden, wenn der Rollstuhl mit den Hinterrädern zu breit wäre (z.B. im Flugzeug, Bus usw.) Nachdem die Hinterräder mit Hilfe der Schnellverschlussachsen abmontiert wurden, können Sie den Stuhl sofort mit den **Transitrollen** fahren. Die **Transitrollen** sind so montiert, dass sie sich etwa 3 cm über dem Boden befinden, wenn sie nicht benutzt werden. Sie stören also nicht bei der Fahrt, auf dem Transport oder beim Kippen über Hindernisse (z.B. Bordsteine, Stufen usw.) (Fig. 41).



⚠️ GEFAHR!

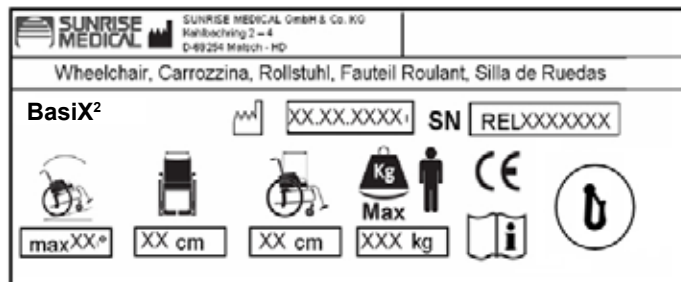
Wenn der Rollstuhl mit den Transitrollen fährt, besitzt er keine Feststellbremsen.

Typenschild

Typenschild

Das Namenschild befindet sich entweder unter der Kreuzstrebeneinheit oder am diagonalen Rahmenrohr, auch auf dem Benutzerhandbuch befindet sich ein entsprechendes Etikett. Auf dem Namenschild sind das exakte Modell und andere technische Daten angegeben. Wenn Sie ein Ersatzteil bestellen oder einen Anspruch geltend machen, halten Sie bitte folgende Angaben bereit:

MUSTER



BasiX² XXXXX-XXX	Produktbezeichnung/Artikelnummer
	Maximale Steigung bzw. maximales Gefälle, das mit den Sicherheitsrädern befahren werden kann, hängt von den Einstellungen des Rollstuhls, der Haltung und den physischen Fähigkeiten des Benutzers ab.
	Sitzbreite
	Tiefe (maximal).
	Maximale Zuladung.
	CE-Kennzeichnung.
	Gebrauchsanleitung
	Crash-geprüft
	Herstellungsdatum.
SN RELXXXXXXXX	Seriennummer

Da wir uns der kontinuierlichen Verbesserung der Konstruktion unserer Rollstühle verschrieben haben, können die technischen Daten etwas von den dargestellten Beispielen abweichen. Bei allen Angaben zu Gewichten/Abmessungen und Leistung handelt es sich um annähernde Werte und sie sind ausschließlich zur Information gedacht.

Sunrise Medical ist mit der Richtlinie 93/42/EWG für Medizinprodukte konform

CE Alle Rollstühle müssen gemäß den Leitlinien des Herstellers benutzt werden.

Sunrise Medical GmbH & Co.KG
Kahlbachring 2-4
69254 Malsch/Heidelberg
Deutschland
Tel.: +49 (0) 7253/980-400
Fax: +49 (0) 7253/980-111
www.sunrisemedical.de

Reifen und Montage

REIFEN UND MONTAGE

Vollgummireifen sind Standard.

Mit Luftreifen stellen Sie immer sicher, dass die Reifen den korrekten Luftdruck haben, da sonst die Leistung des Rollstuhls beeinträchtigt werden kann. Wenn der Druck zu niedrig ist, erhöht sich die Reibung beim Fahren, und der Antrieb erfordert größeren Kraftaufwand. Auch die Manövrierfähigkeit wird von einem zu niedrigen Reifendruck beeinträchtigt. Wenn der Druck zu hoch ist, kann der Reifen platzen. Auf der Reifenoberfläche ist jeweils der korrekte Luftdruck angegeben (min. 3.5 bar).

Die Reifen werden wie gewöhnliche Fahrradreifen montiert. Bevor Sie den inneren Schlauch einlegen, achten Sie darauf, dass die Felge und die Innenseite des Reifens von Schmutzpartikeln frei sind. Nach der Montage oder Reparatur des Reifens, muss der Luftdruck geprüft werden. Für Ihre eigene Sicherheit und für die optimale Leistung des Stuhls ist es äußerst wichtig, dass sich die Reifen in gutem Zustand befinden und den vorgeschriebenen Druck aufweisen.

Wartung und Pflege

SICHERHEITSPRÜFUNG

Als Benutzer bemerken Sie mögliche Schäden als Erster/Erste. Wir empfehlen daher, dass Sie vor jeder Benutzung folgendes überprüfen:

dass der Reifendruck stimmt
dass die Bremsen richtig funktionieren
ob alle abnehmbaren Teile sicher befestigt sind, (z.B. Armlehnen, Fußrasten, Steckachsen usw).
Wenn Sie einen Schaden/Defekt feststellen, wenden Sie sich an Ihren autorisierten Fachhändler.

WARTUNG:

Überprüfen Sie den Reifendruck regelmäßig.
Überprüfen Sie alle Reifen regelmäßig auf Abnutzung und Schäden, mindestens aber einmal im Jahr. Wechseln Sie die Bereifung, sobald Sie Anzeichen von Schäden oder Abnutzung feststellen.
Überprüfen Sie den Sitz und die Rückenbespannung regelmäßig auf Abnutzung, mindestens aber einmal im Jahr. Wechseln Sie diese Teile aus, sobald Sie Anzeichen von Schäden oder Abnutzung feststellen.
Überprüfen Sie alle Bauteile von Rahmen und Rücken regelmäßig auf Abnutzung, mindestens aber einmal im Jahr. Wechseln Sie diese Teile aus, sobald Sie Anzeichen von Schäden oder Abnutzung feststellen.
Überprüfen Sie die Bremse regelmäßig auf Abnutzung und Schäden, mindestens aber einmal im Jahr. Überprüfen Sie, dass sie richtig funktioniert und einfach zu bedienen ist. Wechseln Sie die Bremse aus, sobald Sie Anzeichen von Schäden oder Abnutzung feststellen.
Überprüfen Sie regelmäßig, dass alle Schrauben fest sitzen (siehe dazu den Abschnitt zum Drehmoment), mindestens aber einmal im Jahr. Alle Schrauben, die für die sichere Benutzung des Rollstuhls kritisch sind, verfügen über selbstsichernde Muttern.
Selbstsichernde Muttern sollten nur einmal verwendet und dann ausgewechselt werden.

HINWEIS: Wenn ein Drehmoment angegeben ist, empfehlen wir dringend, einen Drehmomentmesser zu verwenden, damit Sie überprüfen können, ob Sie alles auf das richtige Drehmoment angezogen haben.
Verwenden Sie nur milde Reinigungsmittel, wenn der Rollstuhl schmutzig ist. Zum Reinigen der Sitzpolsterung und Beckengurt nur Wasser und Seife benutzen.
Je nach der Häufigkeit und Art der Benutzung empfehlen wir, den Rollstuhl regelmäßig, aber mindestens einmal im Jahr vom Fachpersonal eines autorisierten Fachhändlers warten zu lassen.



Sand, Salz und Meerwasser können die Lager an den Vorder- und Hinterrädern beschädigen. Reinigen und trocknen Sie den Rollstuhl sorgfältig ab, wenn er diesen Bedingungen ausgesetzt wurde.

HYGIENE BEI WIEDEREINSATZ:

Im Falle eines Wiedereinsatzes sollte dieser Rollstuhl durch eine sorgfältige Wisch- und Sprühdesinfektion aller Flächen, die potentiell mit dem Benutzer in Kontakt kommen können, hygienisch aufbereitet werden.

Wenn das schnell durchgeführt werden muss, verwenden Sie ein flüssiges Desinfektionsmittel auf Alkoholbasis, das für medizinische Produkte und Geräte geeignet ist.
Bitte beachten Sie die Gebrauchsanweisung des Herstellers für das Desinfektionsmittel, das Sie benutzen.

Fehlersuche

Rollstuhl hat Drall nach einer Seite

- Reifendruck prüfen
- Prüfen, ob sich das Rad reibungslos dreht (Lager, Achse)
- Winkel der Lenkräder überprüfen.
- Prüfen, ob beide Lenkräder den richtigen Bodenkontakt haben

Lenkräder beginnen zu flattern

- Winkel der Lenkräder überprüfen.
- Prüfen, ob alle Bolzen fest sitzen; wenn nötig nachziehen (siehe unter Drehmoment)
- Prüfen, ob beide Lenkräder den richtigen Bodenkontakt haben

Rollstuhl quietscht und klappert

- Prüfen, ob alle Bolzen fest sitzen; wenn nötig nachziehen (siehe unter Drehmoment)
- Etwas Schmieröl auf die Stellen träufeln, wo bewegliche Teile miteinander in Kontakt kommen

Rollstuhl fängt an, zu schlingern

- Den Winkel der Laufradbefestigung prüfen.
- Reifendruck prüfen
- Prüfen, ob die Hinterräder vielleicht unterschiedlich eingestellt sind

Entsorgung / Recycling von Materialien

HINWEIS: Wenn Ihnen der Rollstuhl kostenlos zur Verfügung gestellt wurde, gehört er Ihnen evtl. nicht. Wenn er nicht mehr benötigt wird, befolgen Sie die Anweisungen der Organisation, die den Rollstuhl zur Verfügung gestellt hat, um ihn zurückzugeben.

Im Folgenden werden die Materialien beschrieben, die für den Rollstuhl verwendet wurden im Hinblick auf die Entsorgung oder das Recycling des Rollstuhls und dessen Verpackung. Besondere Vorschriften bezüglich der Entsorgung oder dem Recycling können vor Ort gelten und diese müssen bei der Veranlassung der Entsorgung berücksichtigt werden. (Dazu gehören etwa die Reinigung oder Dekontaminierung des Rollstuhls vor der Entsorgung.)

Aluminium: Lenkradgabeln, Räder, Seitenteile des Fahrgestells, Armlehnen, Rahmen, Fußraste, Schiebegriffe

Stahl: Befestigungsteile, QR Achse

Kunststoff: Handgriffe, Rohrstopfen, Lenkräder, Fußplatten, Armpolster und 12" Rad/Reifen

Verpackung: Plastiktüte aus Polyethylen weich, Karton

Polsterung: Polyestergerewebe mit PVC-Beschichtung und schwer entflammbarem Schaumstoff.

Die Entsorgung oder das Recycling sollte über eine Entsorgungsfirma oder eine öffentliche Entsorgungsstelle erfolgen. Sie können Ihren Rollstuhl zur Entsorgung auch an Ihren Fachhändler zurückgeben.



Technische Daten

Gesamtbreite:

Mit Standardrädern inkl. Greifreifen, Anbau eng:
SB +19 cm
Mit Trommelbremsen inkl. Greifreifen:
SB +21 cm

Faltmaß:

Mit Standardrädern = 30 cm
Ohne Standardräder = 24 cm

Maximale Zuladung:

bis 125 kg Zuladung

Gewicht in kg:

Transport (ohne Fußraste, Räder, Seitenteil) 8,4 kg

Fußraste (St.): 0,8 kg

Standard-Seitenteil (St.): 0,8 kg

Antriebsräder 24" (pannensicher) (paar): 3,8 kg

MAXIMALE ZULADUNG: 125 KG

SIEHE AUCH SEITE 5

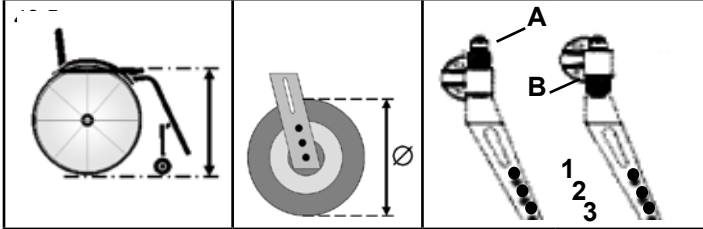
Nach EN12183: 2009 sind alle aufgeführten Teile (Sitz- und Rückenbespannung, Armpolster, Seitenverkleidung...) schwer entflammbar gemäß EN1021-2.

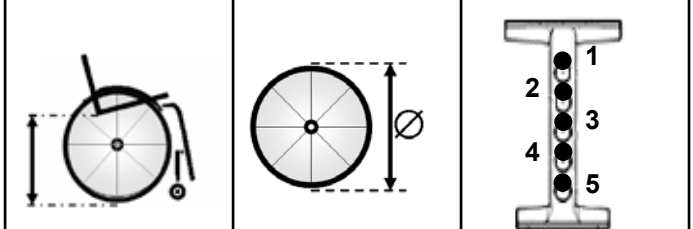
Die dynamische Stabilität an Gefällen hängt von der Konfiguration des Rollstuhls, den Fertigkeiten und dem Fahrstil des Benutzers ab. Da die Fertigkeiten des Benutzers und der Fahrstil nicht vorherbestimmt werden können, kann der Höchstwert für das sichere Gefälle nicht bestimmt werden. Dieser muss vom Benutzer mit Hilfe einer Begleitperson ermittelt werden, um das Umkippen zu verhindern. Für unerfahrene Benutzer wird der Einbau von Sicherheitsrädern dringend empfohlen.

Der Rollstuhl stimmt mit den folgenden Standards überein:

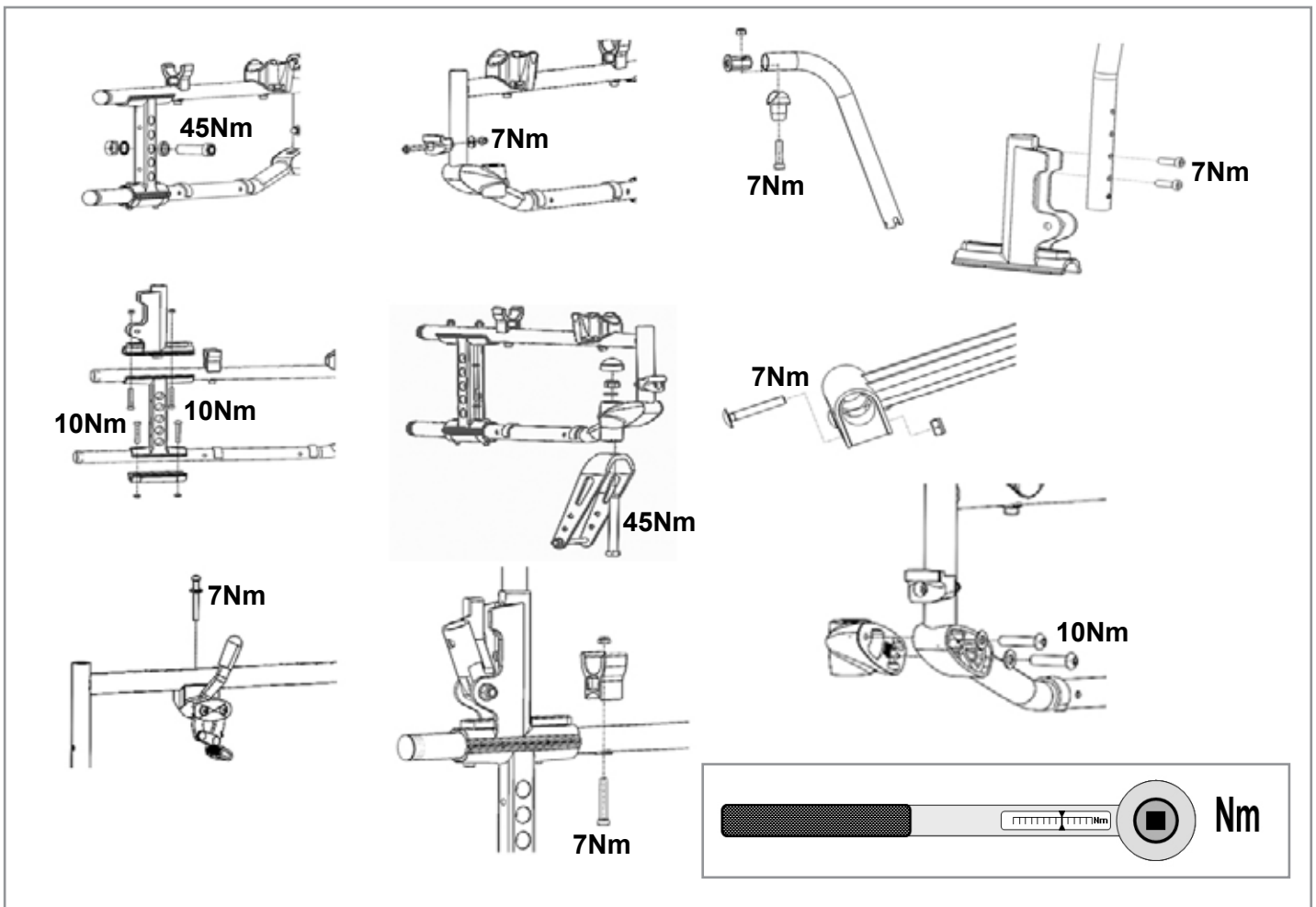
- a) Anforderungen und Testmethoden für statische, Auswirkungs- und Ermüdungsstärke (ISO 7176-8)
- b) Anforderungen für Brandverhalten gemäß ISO 7176-16 (EN 1021-1)

Sitzhöhenverstellung

			
425 mm	8"	1A	
450 mm	8"	2A	1B
480 mm	8"	3A	2B
505 mm	8"		3B
425 mm	6"	2A	1B
450 mm	6"	3A	2B
480 mm	6"		3B

			
400 mm	24"		1
425 mm	24"		2
450 mm	24"	12"	3
475 mm	24"		4
500 mm	24"		5

Drehmoment



DEUTSCH

**WENN NICHT ANDERS ANGEZEIGT,
BETRÄGT DAS DREHMOMENT FÜR M6
SCHRAUBEN 7 NM.**

Avant-propos

Chère cliente, cher client,

Vous avez choisi un produit de SUNRISE MEDICAL de grande qualité. Nous nous en réjouissons.

Ce manuel d'utilisation vous fournira de nombreux conseils et suggestions de sorte que votre produit deviendra pour vous un partenaire familier digne de confiance.

Notre objectif est que vous soyez satisfait de nos services. Sunrise Medical s'attache à améliorer en permanence ses produits. Ainsi, des modifications quant à la forme, à la technique et à l'équipement peuvent être apportées à notre gamme de produits. Aucune réclamation ne pourra donc être adressée au sujet des informations et illustrations de ce manuel d'utilisation.

Le système de gestion de SUNRISE MEDICAL est certifié ISO 9001, ISO 13485 et ISO 14001.



En sa qualité de fabricant, SUNRISE MEDICAL, déclare que les fauteuils sont conformes à la directive 93/42/CEE telle que modifiée par 2007/47/CEE.

En outre, ils répondent aux exigences de performance requises pour les « essais de collision », conformément à la norme ISO 7176-19

Adressez-vous à notre service après-vente SUNRISE MEDICAL, compétent et agréé, pour toute question concernant l'utilisation, la maintenance ou la sécurité de votre fauteuil roulant.

En l'absence de revendeur près de chez vous ou si vous avez des questions, contactez-nous par courrier ou par téléphone (vous trouverez nos coordonnées au dos du manuel).

Sunrise Medical SAS
ZAC de Vrillonnerie
17 Rue Michael Faraday
37170 - France
Tél. : +33 (0) 2 47 55 44 00
www.sunrisemedical.com

Il vous est conseillé de noter dans l'encadré ci-dessous les coordonnées de votre service après-vente.

En cas de panne, contactez-le en lui donnant autant d'informations que possible sur la nature de la panne de sorte qu'il puisse vous aider efficacement et rapidement.



IMPORTANT :
N'UTILISEZ PAS VOTRE FAUTEUIL AVANT D'AVOIR
LU ET COMPRIS LES INFORMATIONS
CONTENUES DANS CE MANUEL.

Symbole légende



DANGER !

Messages d'avertissement sur des risques pouvant entraîner un accident grave, voire mortel.



AVERTISSEMENT !

Messages d'avertissement sur des risques pouvant entraîner des blessures.



ATTENTION !

Messages d'avertissement sur les risques d'endommagement du matériel.

REMARQUE :

Informations sur l'utilisation appropriée du matériel.

Sommaire

Avant-propos	34
Symbole légende	34
Sommaire	34
Utilisation	34
Champ d'application	34
Consignes de sécurité et de conduite	35
Garantie	36
Transportabilité	37
Manipulation	39
Options – Leviers de basculement	39
Options - Freins	39
Options - Palettes	40
Options – Roues avant	40
Options - Adaptateur de roues avant	40
Options - Dossier	41
Options – Protège-vêtement	41
Options - Roulettes anti-basculer	42
Options – Ceinture sous-abdominale	42
Options - Siège	43
Options – Profondeur du siège	43
Options – Poignées de poussée	43
Options - Porte-canne	44
Options - Tablette thérapeutique	44
Options - Barre de stabilisation	44
Options – Roulettes de transit	44
Plaque signalétique	44
Pneus et montage des pneus	45
Maintenance et entretien	45
Dépannage	45
Mise au rebut / Recyclage des matériaux	45
Caractéristiques techniques	46
Réglage de la hauteur du siège	46
Couple réel	47

Utilisation

Les fauteuils roulants légers sont exclusivement réservés aux utilisateurs qui sont dans l'incapacité de marcher ou qui ont une mobilité réduite, pour une utilisation personnelle à l'intérieur ou à l'extérieur sur une surface sèche, ferme et plate (Auto-propulsions limitées ou propulsion par une tierce personne).

La charge maximale (à savoir le poids de l'utilisateur et des accessoires éventuellement embarqués) est indiquée sur la plaque signalétique apposée sur le croisillon ou sur la barre de stabilisation, en dessous du siège.

La garantie n'est valable que si le produit est utilisé dans les conditions spécifiées et pour l'usage pour lequel il est prévu.

La durée de vie prévue pour ce fauteuil est de cinq années. N'utilisez ET n'installez aucun composant tiers sur le fauteuil, à moins qu'ils n'aient été formellement approuvés par Sunrise Medical.

Champ d'application

De par la diversité des options de montage et sa conception modulaire, ce fauteuil convient pour les personnes dans l'incapacité de marcher ou à mobilité restreinte, suite à :

- Une paralysie
 - La perte d'un membre (amputation de la jambe)
 - Un problème/la difformité d'un membre
 - Des contractures/blessures aux articulations
 - Des maladies, telles qu'une insuffisance cardiaque et circulatoire, trouble de l'équilibre ou cachexie, et pour les personnes âgées ayant assez de force dans le haut du corps.
- Sélectionner le bon fauteuil nécessite de prendre en compte des éléments tels que la taille de l'utilisateur, son poids, sa constitution physique et psychologique, son âge, son mode de vie et son environnement.

Consignes de sécurité et de conduite

La conception et la construction du fauteuil sont réalisées pour garantir une sécurité maximale. A l'échelle internationale, toutes les exigences applicables en matière de normes de sécurité sont respectées, voire dépassées.

Toutefois, l'utilisateur peut se mettre en situation de danger en utilisant son fauteuil de façon incorrecte. Pour votre sécurité, vous devrez impérativement respecter les consignes suivantes. Les altérations ou réglages non professionnels ou erronés augmentent le risque d'accidents. En tant qu'utilisateur de fauteuil roulant, vous participez à la circulation publique, sur routes ou trottoirs. Vous êtes par conséquent tenu de respecter le code de la route.

Lors de votre première utilisation du fauteuil, roulez prudemment. Familiarisez-vous avec l'utilisation de votre nouveau fauteuil roulant.

Avant chaque utilisation de votre fauteuil, contrôlez impérativement :

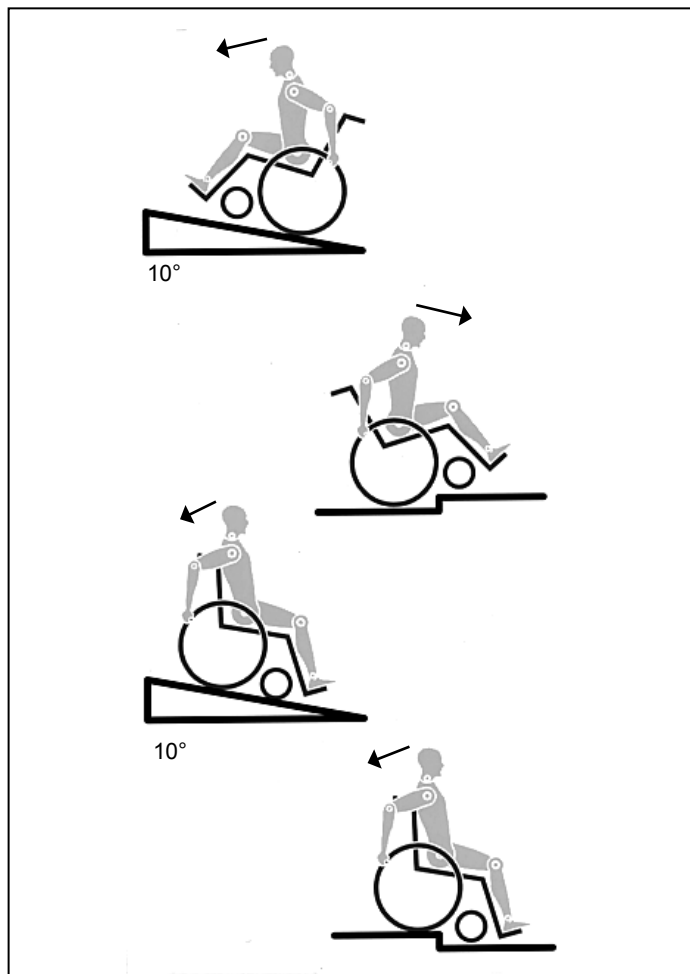
- Les axes fixes ou les axes à déverrouillage rapide sur les roues arrière.
- Les bandes velcro de l'assise et du dossier
- Les pneus, la pression et les freins.

Avant de modifier un quelconque réglage, il est important de lire le paragraphe correspondant du présent manuel d'utilisation.

Des nids de poule ou un sol irrégulier peut faire basculer le fauteuil roulant lors de la montée ou de la descente des pentes. Si une marche ou une pente est abordée de face, le corps doit être incliné vers l'avant.

DANGER !

- Ne dépassez JAMAIS la charge maximale de 125 kg combinée entre l'utilisateur et tout autre accessoire éventuellement embarqué. Toute charge supérieure pourrait endommager le fauteuil ou vous faire basculer, perdre le contrôle et entraîner de graves blessures pour vous et toute autre personne.
- Dans la pénombre, portez des vêtements clairs ou réfléchissants de sorte à être vu par les autres usagers de la route. Veillez à ce que les réflecteurs latéraux et arrière du fauteuil restent bien visibles.
- Il est également recommandé d'installer une lumière.



DANGER !

- Pour éviter les chutes et situations dangereuses, il est recommandé de vous entraîner et de vous familiariser avec votre nouveau fauteuil sur une surface plane offrant une bonne visibilité.
- Pour monter et descendre du fauteuil, ne prenez pas appui sur les repose-pied.
- Il convient au contraire de les rabattre et de les pivoter vers l'extérieur le plus possible. Placez-vous toujours le plus près possible de l'endroit où vous voulez accéder.
- Utilisez toujours votre fauteuil avec prudence. Evitez par exemple de franchir des obstacles sans avoir préalablement ralenti (marche, bord de trottoir).
- Les freins d'immobilisation ne sont pas prévus pour ralentir et arrêter un fauteuil en déplacement. Ils sont prévus pour empêcher votre fauteuil à l'arrêt de se déplacer involontairement. Lorsque vous vous arrêtez sur un terrain accidenté, engagez impérativement vos freins d'immobilisation afin d'éviter tout mouvement accidentel du fauteuil. Pensez toujours à actionner les deux freins simultanément, autrement votre fauteuil pourrait basculer.
- Changer le centre de gravité peut avoir un impact sur le comportement du fauteuil dont vous devez être conscient. Il est recommandé de vous entraîner, par exemple en pente ou lors du franchissement d'obstacles. Familiarisez-vous avec les différents comportements en présence d'un accompagnateur.
- Avec des réglages extrêmes (comme les roues arrière en position la plus avancée possible) et une posture inadéquate, le fauteuil risque de basculer, même sur une surface plane.
- Lorsque vous franchissez des côtes et des marches, penchez votre corps plus en avant.
- Lorsque vous descendez des côtes et des marches, penchez votre corps plus en arrière. Ne tentez jamais de monter ou de descendre une pente en diagonal.
- Evitez d'utiliser les escalators. En cas de chute, vous pourriez vous blesser gravement.
- N'utilisez pas le fauteuil sur des pentes de plus de 10° d'inclinaison. Le degré d'inclinaison maximum des pentes dépend de la configuration du fauteuil, des capacités de l'utilisateur et du style de conduite. Les capacités de l'utilisateur et son style de conduite ne pouvant être prédéfinis, le degré d'inclinaison maximum des pentes ne peut être déterminé. Il revient donc à l'utilisateur, assisté de son accompagnateur, de déterminer l'inclinaison maximale afin d'éviter tout risque de basculement. Il est vivement recommandé d'installer des roulettes anti-basculer pour les utilisateurs inexpérimentés.
- Des nids de poule ou un sol irrégulier peuvent faire basculer le fauteuil roulant lors de la montée ou de la descente des pentes.
- N'utilisez pas le fauteuil sur des terrains boueux ou verglacés.
- N'utilisez pas le fauteuil dans des zones interdites aux piétons.
- Pour éviter de vous blesser aux mains, ne placez pas vos doigts entre les rayons ou entre la roue arrière et le frein de la roue lorsque le fauteuil est en déplacement.
- Si vous utilisez une main courante métallique et freinez dans une longue pente ou pour réduire votre allure, le frottement peut chauffer la main courante et vous brûler les doigts.
- Ne montez et descendez les escaliers que si vous êtes accompagné. Des équipements à cet effet sont à votre disposition, comme les rampes d'accès et les ascenseurs. Utilisez-les. En l'absence de tels équipements, deux personnes sont nécessaires pour faire basculer le fauteuil et lui faire franchir les marches une à une en le poussant, et non pas en le soulevant. Cette technique n'est pas recommandée pour les utilisateurs de plus de 100 kg. En général, en présence de roulettes anti-basculer, il convient de les régler de sorte qu'elles ne puissent heurter les marches, car cela pourrait entraîner une grave chute. Remplacez ensuite les roulettes anti-basculer à leur position normale.
- L'accompagnateur doit toujours tenir le fauteuil par les parties fixes et non pas par les parties amovibles (comme les repose-pieds ou les protège-vêtement).

DANGER !

- Lors de l'utilisation d'une rampe d'accès, pensez à positionner les roulettes anti-basculé (le cas échéant) en dehors de la zone à risque.
- Immobilisez toujours votre fauteuil à l'aide des freins lorsqu'il se trouve sur les surfaces accidentées ou lorsque vous montez dessus ou en descendez.
- Dans la mesure du possible, au cours d'un déplacement à bord d'un véhicule pour personnes handicapées, il est conseillé aux occupants de s'asseoir sur les sièges et d'utiliser le système de retenue approprié. C'est le seul moyen d'assurer une protection optimale aux occupants en cas d'accident.
- Selon le diamètre et le réglage des roues avant, ainsi que le centre de gravité du fauteuil, les roues avant peuvent se mettre à vibrer à mesure que la vitesse du fauteuil augmente. Les roues avant risquent alors de se bloquer et le fauteuil de basculer. Il est donc essentiel de régler correctement les roues avant (voir le chapitre "Roues avant").
- Ne descendez pas une pente sans frein et déplacez-vous lentement. Il est recommandé aux utilisateurs inexpérimentés d'utiliser des roulettes anti-basculé.
- Les roulettes anti-basculé empêchent le fauteuil de basculer accidentellement vers l'arrière. En aucun cas, elles ne doivent remplacer les roulettes de transit et servir au transport d'une personne dans un fauteuil dont les roues arrière auraient été retirées.
- Si vous souhaitez atteindre un objet (placé devant, derrière ou latéralement par rapport au fauteuil), évitez de trop vous pencher afin de ne pas modifier le centre de gravité et risquer de faire basculer le fauteuil. La présence d'une charge supplémentaire (sac à dos ou objets similaires) sur les montants arrière du dossier peut avoir un impact sur la stabilité de votre fauteuil (surtout si le dossier est incliné en arrière) et peut faire basculer le fauteuil en arrière et entraîner des blessures.
- Pour les personnes amputées d'un ou des membres inférieurs, il est impératif d'utiliser les roulettes anti-basculé.
- Avant d'utiliser votre fauteuil, vérifiez la pression des pneus. Pour les roues arrière, la pression doit être au moins de 3,5 bars (350 kPa). La pression maximale est indiquée sur la jante des pneus. Le frein à manette à hauteur du genou ne fonctionne que si la pression des pneus est suffisante et si le réglage est correct (voir le chapitre sur les "Freins").
- Si les toiles du dossier et du siège sont abîmées, remplacez-les immédiatement.
- Soyez très vigilants avec les risques d'incendie, surtout si une cigarette est allumée. Les toiles du dossier et du siège peuvent prendre feu.
- Si le fauteuil est exposé au soleil / à une température très basse pendant une période prolongée, certaines parties du fauteuil (par ex. le châssis, les repose-jambes, les freins et les protège-vêtement) peuvent chauffer (>41°C) / devenir très froides (<0°).
- Le cas échéant, vérifiez que les axes à déverrouillage rapide des roues arrière sont bien réglés et enclenchés (les roulements à bille verrouillés ressortent complètement du manchon d'essieu). Si le bouton de l'axe à déverrouillage rapide n'est pas enfoncé, vous ne pouvez pas enlever la roue arrière.

ATTENTION !

- L'efficacité du frein à manette au genou et des caractéristiques de conduite générales dépend de la pression des pneus. Le fauteuil sera considérablement plus léger et plus facile à manœuvrer si les pneus des roues arrière sont correctement gonflés et ont la même pression.
- Vérifiez la sculpture des pneus.
- N'oubliez pas que lorsque vous vous déplacez au milieu de la circulation, vous devez respecter toutes les réglementations relatives au code de la route.
- Manipulez et ajustez toujours le fauteuil avec prudence.
- Les réglages du fauteuil nécessitant l'utilisation d'outils doivent être effectués par les revendeurs agréés.
- Nettoyez régulièrement votre fauteuil pour éviter l'apparition de rouille et la corrosion par le sel.
- Inspectez les rivets, écrous et boulons afin de vérifier qu'ils sont bien serrés et qu'aucune pièce du fauteuil ne se desserrera.

ATTENTION !

- Comme avec toutes les pièces amovibles, toute intervention présente le risque de se coincer les doigts. Manipulez le fauteuil

avec précaution.

- Il est possible que les produits illustrés et décrits dans le présent manuel ne soient pas complètement identiques au modèle que vous avez acheté. Toutefois, toutes les instructions fournies dans le présent manuel sont valables pour votre matériel, malgré les éventuelles différences minimes.
- Le fabricant se réserve le droit de modifier sans préavis les poids, mesures et autres données techniques indiquées dans le présent manuel. Tous les chiffres, dimensions et capacités indiqués dans ce manuel sont approximatifs et ne constituent pas des caractéristiques.

Durée de vie

La durée de vie anticipée de ce produit est de 5 années, dans la mesure où :

- Il est utilisé conformément à l'usage pour lequel il est prévu
- Tous les impératifs d'entretien et de maintenance sont respectés.

Garantie

GARANTIE

CECI NE PORTE PAS ATTEINTE À VOS DROITS LÉGAUX. CONDITIONS DE GARANTIE

- 1) Tout travail de réparation ou de remplacement devra être effectué par un revendeur/technicien de service après-vente agréé Sunrise Medical.
- 2) En cas de problème avec votre produit, vous devez, pour faire jouer la garantie en vertu de ce contrat, signaler immédiatement toute anomalie au service après-vente Sunrise Medical désigné, en précisant la nature du problème. Si vous vous trouvez dans une localité autre que celle du service après-vente Sunrise Medical désigné, le travail pourra, en vertu des conditions de garantie, être effectué par un autre service après-vente désigné par le fabricant.
- 3) Si une pièce quelconque de votre fauteuil roulant devait être réparée ou remplacée en raison d'un vice de fabrication ou de matériau dans les 24 mois (5 ans pour le châssis et le croisillon) suivant la date à laquelle la propriété du produit a été transférée à l'acheteur original et à condition que ce dernier en ait conservé la propriété, la ou les pièce(s) sera/seront réparée(s) ou remplacée(s) gratuitement si le fauteuil est renvoyé au service après-vente agréé.
Remarque : La garantie n'est pas transférable.
- 4) Toute pièce réparée ou remplacée bénéficiera de la garantie pour le reste de la période de garantie applicable au fauteuil roulant.
- 5) Les pièces changées après la période de garantie seront couvertes pour une période supplémentaire de 12 mois.
- 6) Les composants consommables n'entrent généralement pas dans le cadre de la garantie, à moins que les pièces aient manifestement subi une usure exagérée résultant directement d'un vice de fabrication. Il s'agit, en autres, des garnitures, des pneus, des chambres à air et autres pièces similaires.
- 7) Les conditions de garantie susmentionnées s'appliquent à toutes les pièces des produits, pour les modèles achetés à plein tarif.
- 8) Dans des conditions normales, la garantie ne saurait être appliquée si le produit nécessite une réparation ou un remplacement pour l'une des raisons suivantes :
 - a) Le produit, ou l'une de ses pièces, n'a pas été entretenu conformément aux recommandations du fabricant, telles qu'énoncées dans le Manuel de l'utilisateur et/ou le Manuel technique. Des pièces autres que celles spécifiées pour ce matériel ont été utilisées.
 - b) Le produit, ou l'une de ses pièces, a été endommagé suite à une négligence, un accident ou une utilisation inadéquate.
 - c) Le produit, ou l'une de ses pièces, a été transformé ou une réparation a été entreprise avant d'en avoir notifié le service après-vente.
 - d) Le produit présente des signes de corrosion résultant d'une maintenance inappropriée.

Transportabilité

DANGER !

Il y a risque de blessures sérieuses ou de mort si ce conseil n'est pas respecté.

Transport de votre fauteuil roulant dans un véhicule

Un fauteuil roulant arrimé dans un véhicule n'assurera pas le même niveau de sécurité que les sièges du véhicule. Il est toujours recommandé que l'utilisateur soit transféré au siège du véhicule. Sunrise Medical reconnaît qu'il n'est pas toujours facile de transférer l'utilisateur et dans une telle situation où l'utilisateur doit être transporté tout en étant dans son fauteuil roulant, il convient de suivre les recommandations suivantes :

1. Faites vous confirmer que le véhicule est correctement équipé pour transporter un passager dans un fauteuil roulant, et assurez-vous que la méthode d'accès/de sortie est convenable pour votre type de fauteuil roulant. Le sol du véhicule doit être suffisamment résistant pour supporter le poids de l'utilisateur avec celui du fauteuil roulant et de ses accessoires.

2. Suffisamment d'espace doit être disponible autour du fauteuil afin d'avoir un accès facile pour attacher, serrer et détacher le fauteuil roulant et le dispositif de retenue de l'occupant et les ceintures de sécurité.

3. Le fauteuil doit être placé dans le sens de la marche et être ancré par les points d'arrimage et le système de retenue et de fixation (conforme à la norme ISO 10542 ou SAE J2249) conformément aux instructions du fabricant du système de retenue.

4. L'utilisation du fauteuil à bord d'un véhicule motorisé dans une position autre que celle préconisée n'a pas fait l'objet de tests, ainsi le positionnement latéral du fauteuil ne doit être envisagé en aucun cas (Fig. A).

5. Le fauteuil doit être sécurisé par un système d'arrimage conforme à ISO 10542 ou SAE J2249 avec sangles avant non réglables et sangles arrière réglables, qui utilise typiquement des mousquetons/crochet en S et des boucles à ardillons. Ces dispositifs de retenue comprennent généralement 4 sangles individuelles qui sont attachées de chaque côté du fauteuil roulant.

6. Ce système d'arrimage doit être fixé au châssis principal du fauteuil roulant comme indiqué dans le schéma sur la page suivante, et non pas à tous les points d'attache ou accessoires, ex. pas autour des rayons des roues, freins ou repose-pied.

7. Le système de fixation doit être attaché le plus possible à un angle de 45° et tendu conformément aux indications du fabricant.

8. Ne modifiez et ne remplacez pas les points d'ancrage du fauteuil, ni les composants structurels sans avoir préalablement demandé l'avis du fabricant, à défaut de quoi le fauteuil Sunrise Medical ne sera pas conforme pour le transport à bord d'un véhicule motorisé.

9. Les deux ceintures de retenue au niveau du bassin et du torse supérieur doivent être utilisées pour retenir le passager afin de réduire la possibilité de choc de la tête ou du torse avec les composants du véhicule et de risques graves de blessures à l'utilisateur et tout autre occupant du véhicule. (Fig. B) La ceinture de retenue du torse supérieur doit être montée au pilier "B" du véhicule - ne pas respecter ceci augmente le risque de blessures abdominales graves à l'utilisateur.

10. Un soutien de tête adéquate pour le transport (voir étiquette de l'appui-tête) doit être installé et doit être dans la position souhaitée à tout moment pendant le transport.

11. Les systèmes de maintien posturaux (sangles sous-abdominales, ceintures sous-abdominales) ne doivent pas servir de système de retenue dans un véhicule en déplacement, à moins qu'ils ne soient conformes à la norme ISO 7176-19:2001 ou SAE J2249, ce qui doit être spécifiquement indiqué sur l'étiquette.

12. La sécurité de l'utilisateur pendant son transport dépend de la vigilance de la personne sécurisant le système d'arrimage et cette personne devrait avoir reçu des instructions appropriées et/ou une formation sur leur utilisation.

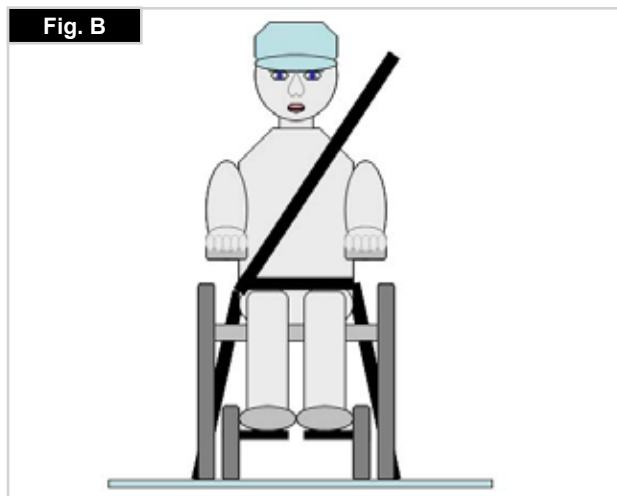
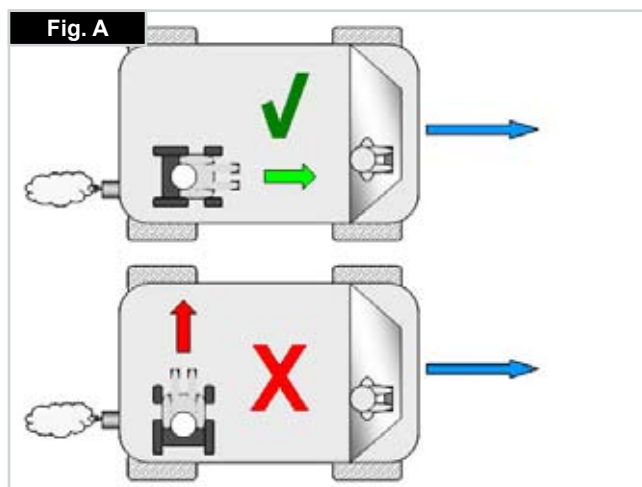
13. Dans la mesure du possible, retirez du fauteuil et rangez tous les accessoires et équipements auxiliaires, comme par exemple : Les cannes, les coussins amovibles et les tablettes.

14. Vous ne devez pas utiliser les repose-jambe articulés/élévateurs en position élevée quand le fauteuil roulant et l'utilisateur sont transportés et quand le fauteuil roulant est retenu par des dispositifs de retenue pour le transport de fauteuils roulants et de son passager.

15. Les dossiers inclinables doivent être remis en position verticale.

16. Les freins manuels du fauteuil doivent impérativement être enclenchés.

17. Les dispositifs de retenue doivent être montés au pilier "B" du véhicule et ne doivent pas être retenus par des composants du fauteuil roulant tel les accoudoirs ou les roues.



Transportabilité >>>

INSTRUCTIONS POUR LE SYSTÈME DE RETENUE DE L'OCCUPANT :

1. La ceinture de retenue du bassin doit être fixée en position basse à travers le bassin de façon à ce que l'angle de la ceinture du bassin soit dans la zone de préférence entre 30 et 75 degrés par rapport à l'horizontal.

Un plus grand angle au sein de la zone de préférence est recommandé c'est-à-dire plus proche de 75°, mais sans jamais dépasser cette limite. (Fig. C)

2. La ceinture thoracique doit passer par-dessus l'épaule et en travers de la poitrine, comme illustré aux Fig. D et E
Les ceintures de retenue doivent être serrées le plus possible, tout en respectant le confort de l'utilisateur.

La sangle de la ceinture de sécurité ne doit pas être entortillée pendant son utilisation.

La ceinture thoracique doit passer par-dessus l'épaule et en travers de l'épaule, comme illustré aux Fig. D et E.

3. Les points de retenue au fauteuil sont le côté interne avant du châssis juste au-dessus de la roue avant et l'arrière du châssis. Les sangles sont fixées autour des flancs de châssis, à l'intersection des tubes de châssis horizontaux et verticaux. (Voir Fig. G - K)

4. Le symbole d'arrimage (Fig. F) sur le châssis du fauteuil roulant
Le symbole d'arrimage sur le châssis du fauteuil roulant. Les sangles avant ont été

Fig. C

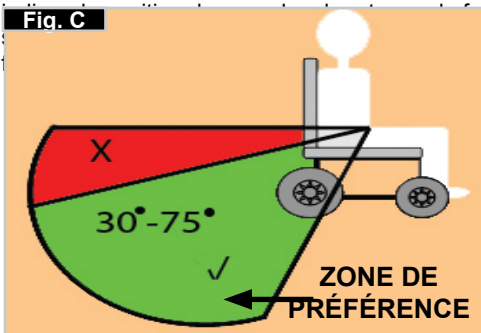


Fig. D

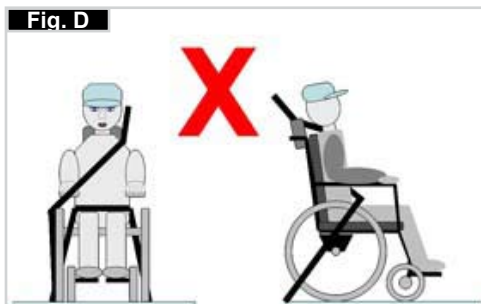


Fig. E

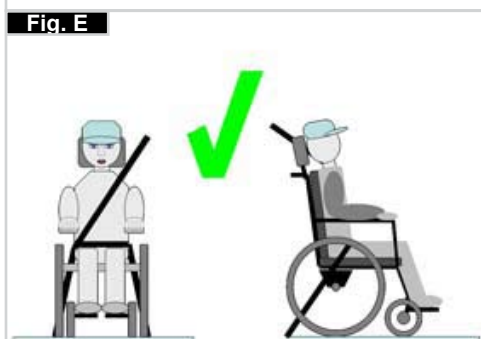


Fig. F



POSITIONNEMENT DU DISPOSITIF D'ARRIMAGE SUR LE FAUTEUIL ROULANT :

1. Emplacement des étiquettes d'arrimage à l'avant et à l'arrière (Fig. G-H-I).

2. Emplacement du système d'arrimage et de l'étiquette d'arrimage à l'avant (Fig. G) et à l'arrière (Fig. H-I).

3. Vue latérale des sangles d'arrimage, (Fig. J).

Fig. G

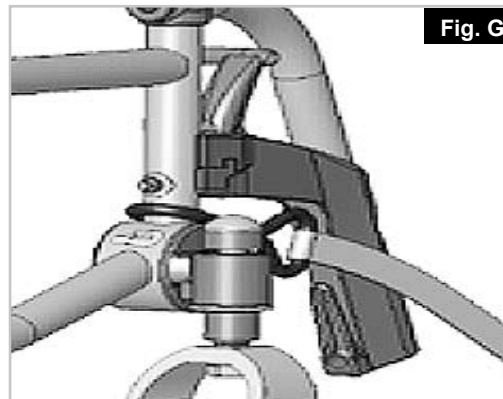


Fig. H

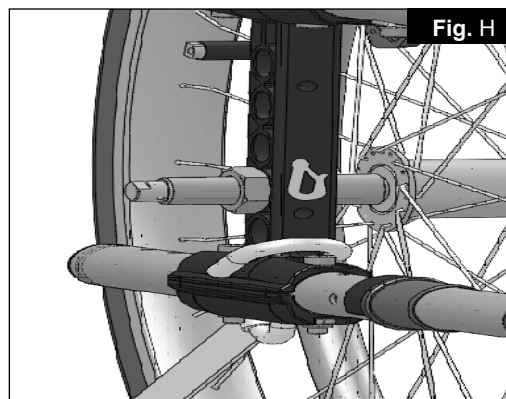


Fig. I

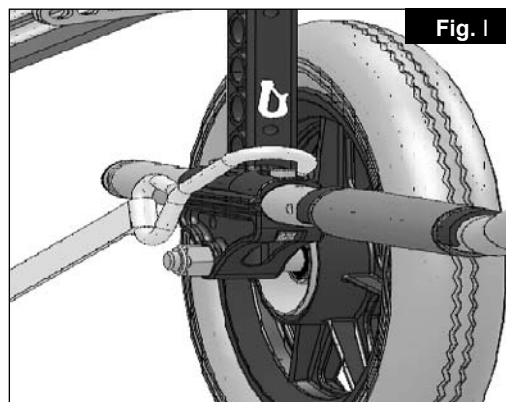


Fig. J



Manipulation

PLIAGE DU FAUTEUIL

Enlevez le coussin de siège et la coque du dossier du fauteuil et rabattez le ou les repose-pieds (selon s'il s'agit d'une palette monobloc ou de deux pelettes individuelles). Attrapez la toile du siège ou les tubes de support du siège en plaçant vos doigts au centre et tirez vers le haut. Le fauteuil se plie alors. Pour gagner un maximum de place, afin par exemple de ranger le fauteuil dans le coffre de la voiture, vous pouvez enlever les repose-pieds (selon modèle). Ouvrez le verrou et rabattez le repose-pieds latéralement. Il suffit ensuite de sortir le repose-pieds de son tube de logement (Fig. 1).



DÉPLIAGE DU FAUTEUIL

Appuyez sur les tubes de siège (voir figure). Le fauteuil roulant se déplie. Maintenant, pressez les tubes du siège dans les supports. Cette opération s'effectue plus facilement quand on bascule légèrement le fauteuil. La roue arrière est libérée et le fauteuil se déplie plus facilement. **Faites attention de ne pas vous coincer les doigts dans les tubes de traverse.** Réinstallez le coussin de siège et la coque du dossier (Fig. 2).

Axes à déverrouillage rapide de la roue arrière Les roues arrière doivent être munies d'axe à déverrouillage rapide. Les roues peuvent être démontées ou montées sans outils. Pour démonter une roue, appuyez sur le bouton à déverrouillage rapide (1) et tirez la roue de l'axe (Fig. 3).

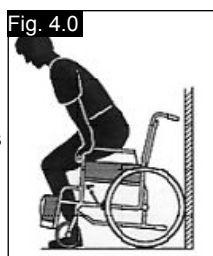


ATTENTION :

Lors du montage, appuyez sur l'axe à déverrouillage rapide dans le roulement, bouton pressé. Relâchez le bouton et la roue est bloquée. Le bouton d'arrêt doit revenir dans sa position de départ.

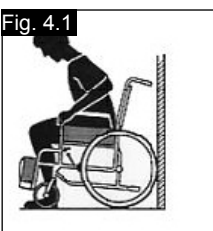
VOUS ASSEoir DANS VOTRE FAUTEUIL PAR VOUS-MÊME (FIG. 4.0)

- Placez le fauteuil contre le mur ou contre un meuble relativement lourd ;
- Enclenchez les freins ;
- Remontez les palettes ;
- Abaissez-vous lentement jusqu'à ce que vous soyez assis dans votre fauteuil ;
- Rabaissez les palettes et placez vos pieds dessus, avec la sangle talonnière derrière.



DESCENDRE DE VOTRE FAUTEUIL PAR VOUS-MÊME (FIG. 4.1)

- Enclenchez les freins ;
- Remontez les palettes ;
- Posez une main sur chaque accoudoir, penchez-vous légèrement vers l'avant de sorte à basculer le poids de votre corps vers l'avant du fauteuil, posez fermement les deux pieds au sol, l'un derrière l'autre, redressez-vous en poussant sur vos bras.



⚠ AVERTISSEMENT !

- Ne vous tenez jamais debout sur les palettes car cela aurait pour effet de faire basculer le fauteuil. Il est plus facile et moins risqué de relever les palettes ou de les retirer complètement lorsque vous montez et descendez de votre fauteuil.
- Enclenchez toujours les freins d'immobilisation lorsque vous montez ou descendez du fauteuil.

Options – Leviers de basculement

LEVIERS DE BASCULEMENT

Pour faire basculer un fauteuil roulant par un accompagnateur(-trice) on utilise un levier de basculement. Pressez simplement le levier et vous pourrez monter le fauteuil sur un trottoir (Fig. 5).



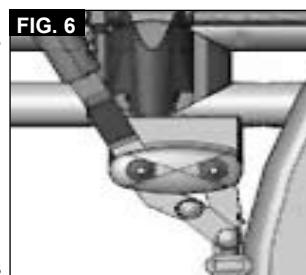
⚠ ATTENTION !

Sunrise Medical recommande vivement d'installer un levier de basculement sur les modèles dotés d'une roulotte de transit et sur tous les modèles où un accompagnateur est essentiellement présent, car l'utilisation répétée du dossier et la force exercée dessus pour incliner le fauteuil et franchir les obstacles aura pour effet d'endommager les montants du dossier.

Options - Freins

FREINS

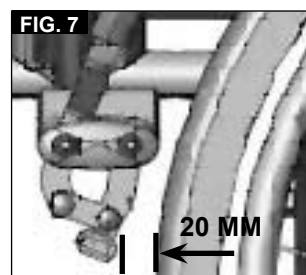
Le fauteuil est équipé de deux freins d'immobilisation. Les freins agissent directement sur les pneus. Pour immobiliser votre fauteuil, serrez les deux leviers de freinage jusqu'à la butée avant. Tirez le levier de freinage en arrière pour le relâcher.



L'effet de freinage diminue quand :

- Les sculptures du pneu sont usées
- La pression des pneus est insuffisante
- Les pneus sont humides
- Le frein est mal réglé.

Les freins d'immobilisation ne sont pas destinés à être utilisés comme des freins de service. N'actionnez pas les freins en marche. Freinez toujours à l'aide des mains courantes. Veillez à ce que l'écartement entre le frein et le pneu soit conforme à la valeur indiquée. Pour régler, dévissez la vis et réglez le bon intervalle. Resserrez de nouveau la vis (Fig. 6-7).



⚠ ATTENTION !

Après avoir procédé au réglage des roues arrière, vérifiez toujours l'intervalle avec les freins d'immobilisation. Réajustez si nécessaire. Plus les freins seront montés près de la roue, plus l'effort à fournir pour les actionner sera grand. Cela pourrait casser la rallonge du levier de frein ! Veillez à ne pas prendre appui sur la rallonge du levier lorsque vous montez ou descendez du fauteuil, car vous risqueriez de la casser ! L'eau projetée par les pneus peut réduire l'efficacité des freins d'immobilisation.

FREINS À TAMBOUR

Les freins à tambour permettent à l'accompagnateur de freiner en toute sécurité et de manière aisée. Ils peuvent être également montés avec un levier de verrouillage (1) pour éviter qu'ils ne se desserrent accidentellement. Vous devez entendre le clic du levier de blocage lors de son enclenchement. Le gonflage des pneus n'a aucune incidence que les freins à tambour. Le fauteuil est immobilisé si les freins à tambour sont enclenchés (Fig. 8).



ATTENTION !

Ne confiez le réglage du frein tambour qu'à un revendeur professionnel.

Options - Palettes

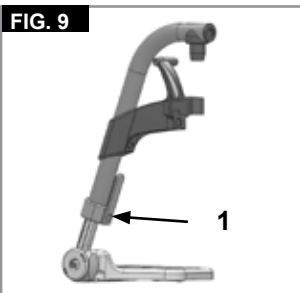
PALETTES :

Les repose-pieds peuvent être rabattus pour monter et descendre plus facilement du fauteuil.

Longueur de la jambe inférieure :

Pour les utilisateurs de grande taille, la palette peut être abaissée à la position désirée à l'aide des vis (1). Il suffit pour cela de dévisser les vis, de placer les tubes à la position désirée, puis de resserrer les vis (voir la section sur les couples de serrage).

Il doit également y avoir un minimum de 5 cm entre le repose-pied et vos talons (Fig. 9).



Plaque de repose-pieds à inclinaison variable

Vous pouvez modifier l'angle d'inclinaison de la plaque par rapport au sol. Dévissez la vis, sortez-la, réglez la plaque à l'angle désiré, puis réinsérez la vis. Après avoir procédé au réglage désiré, revissez la vis. Après avoir procédé à vos réglages, vérifiez toujours d'avoir bien revissé toutes les vis (voir la page couples de serrage). Veillez à toujours conserver l'écart minimum de 2,5 cm avec le sol (Fig. 10).

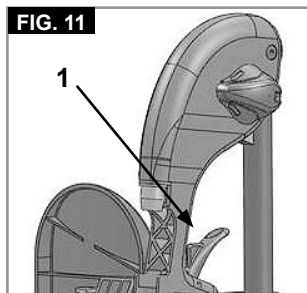
ATTENTION !

- Ne jamais soulever ou porter le fauteuil en l'attrapant par le repose-jambes.
- Pour monter et descendre du fauteuil, ne prenez pas appui sur les palettes du repose-pied. Il convient au contraire de les relever préalablement ou de basculer le repose-pied vers l'extérieur le plus possible.

REPOSE-JAMBES (EN OPTION)

(Fig. 11-13)

Pour retirer le repose-jambes, tirez sur le levier (1), faites pivoter la palette vers l'extérieur, puis soulevez et retirez le repose-jambe.



RÉGLAGE DE LA HAUTEUR :

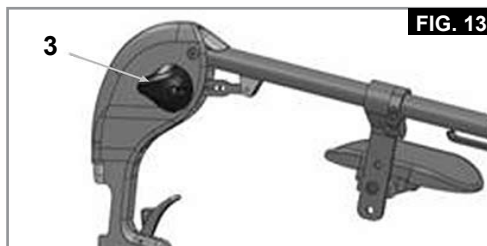
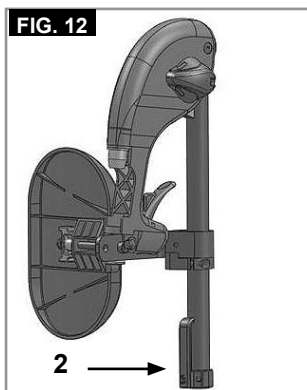
La longueur de la jambe inférieure peut se régler en desserrant la vis (2). Réglez à la hauteur désirée, puis resserrez la vis.

ATTENTION !

La distance entre la palette et le sol doit être d'au moins 40 mm.

RÉGLAGE DE L'INCLINAISON :

Enfoncez d'une main le levier (3) vers le bas tandis que vous soutenez le repose-jambes avec l'autre main. Une fois l'angle d'inclinaison souhaité obtenu, relâchez le levier. Le repose-jambes s'enclenche alors dans l'une des positions prédéfinies.



RÉGLAGE DE L'APPUI-MOLLET

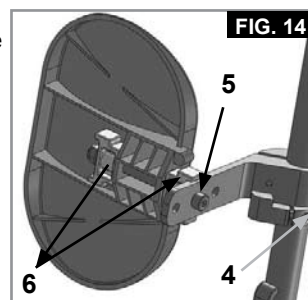
(Fig. 14).

Vous pouvez régler l'appui-mollet de la façon suivante :

Hauteur : dévissez le boulon (4) et déplacez la patte de serrage à la position désirée. En pivotant la patte de serrage, vous pouvez également régler l'angle d'inclinaison.

Profondeur : Ouvrez le boulon (5) et déplacez l'appui-mollet à la position désirée.

Largeur : Ouvrez le boulon (5) et placez les entretoises (6) derrière l'appui-mollet de sorte à obtenir la position désirée.



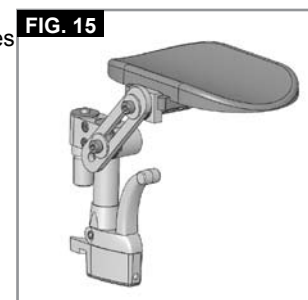
AVERTISSEMENT !

- Pendant que vous relevez ou abaissez les repose-pieds, veillez à ne pas vous prendre les doigts dans le mécanisme de réglage situé entre le châssis et les pièces mobiles du repose-pieds.
- Vérifiez que les fixations sont toujours bien serrées.
- Ne soulevez ou portez jamais le fauteuil en l'attrapant par les repose-pieds.
- Faites attention de ne pas vous pincer les doigts. Ne mettez pas vos doigts dans le mécanisme de réglage, entre les pièces amovibles des repose-pieds lorsque vous levez ou abaissez ce dernier.

SUPPORT POUR PERSONNE AMPUTÉE

(Fig. 15).

Le support pour personne amputée se règle dans toutes les directions, selon les besoins.



Options – Roues avant

ROUES AVANT, ADAPTATEUR DE ROUE AVANT, FOURCHE DE ROUE AVANT

Le fauteuil peut tirer légèrement à droite ou à gauche ou les roues avant peuvent avoir du jeu. Cela peut être dû aux raisons suivantes :

- Le mouvement avant et arrière des roues n'est pas correctement réglé.
- Mauvais réglage de l'angle des roues avant.
- Gonflage insuffisant des roues avant et/ou des roues arrière. Le roulement des roues en est gêné.

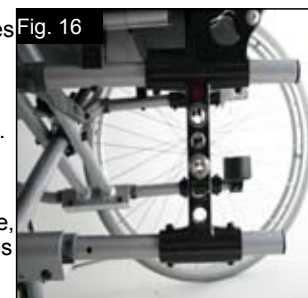
Le fauteuil ne pourra avancer droit si les roues avant sont mal réglées. Les réglages des roues avant doivent toujours être confiés à un revendeur agréé. En cas de modification de la position de la roue arrière, les réglages du frein doivent être contrôlés.

Options - Adaptateur de roues avant

La hauteur du siège est déterminée par la position des roues avant et des roues arrière. Vous pouvez régler la hauteur du siège en modifiant la position des roues arrière et des roues avant, et à l'aide d'entretoises.

ATTENTION !

Après avoir réglé la hauteur du siège, vérifiez d'avoir bien revissé toutes les vis et d'avoir ajusté les freins d'immobilisation.



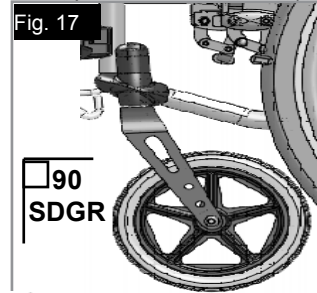
Options – Adaptateur de roulettes >>>

REMARQUE :

Vous pouvez modifier l'angle de l'axe de la roue avant en changeant la position de la roue avant / roue arrière. L'angle doit toujours être d'environ 90°.

RÉGLAGE DE L'ANGLE DE L'AXE DE LA ROUE AVANT:

Dévissez les vis (1), sortez l'adaptateur de roue avant, réglez l'angle à 90°, puis resserrez les vis (Fig. 17-18).



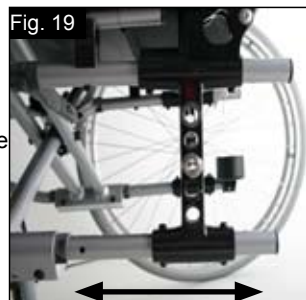
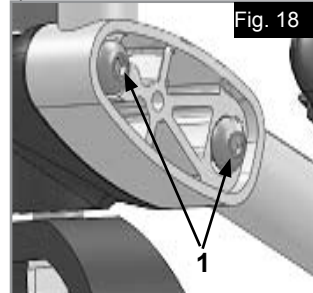
ATTENTION !

L'angle d'axe de roue avant doit être le même des deux côtés (Vérifiez à l'aide de repères).

POSITION HORIZONTALE DE L'AXE

Vous pouvez régler la plaque d'axe vers l'avant pour obtenir une meilleure manœuvrabilité ou vers l'arrière pour une plus grande stabilité (Fig. 19).

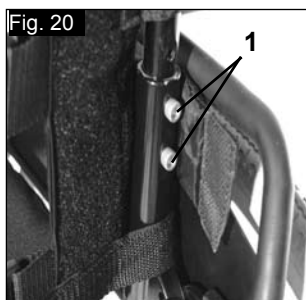
Plus l'empattement est important, moins le fauteuil risque de basculer



Options - Dossier

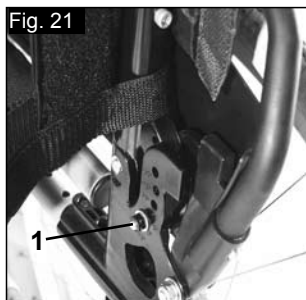
DOSSIER À HAUTEUR RÉGLABLE

Vous pouvez régler la hauteur du dossier à 2 ou 3 positions différentes (selon modèle) (41 cm, 43,5 cm et 46 cm). Relâchez et retirez les boulons (1) et (2), et poussez le tube de dossier à la position désirée. Revissez les boulons (Fig. 20).



DOSSIER INCLINABLE

Vous pouvez régler l'inclinaison du dossier à 6 positions différentes (-5° vers l'avant, 0°, 5°, 10°, 15° et 20° vers l'arrière). Pour régler l'angle, enlevez la vis (1), réglez à l'angle d'inclinaison désiré et resserrez de nouveau la vis (Fig. 21).



DOSSIER INCLINABLE (7° - 30°)

En tirant sur les 2 leviers (1) simultanément, le dossier est libéré. Vous pouvez alors le régler à la position désirée.

En relâchant les deux leviers (1) vous verrouillez automatiquement le dossier à la position où il se trouve (Fig. 22).



ATTENTION !

- Il est recommandé d'utiliser le dossier réglable en angle conjointement avec l'extension de l'empattement.
- Il est recommandé d'employer le dossier inclinable uniquement en combinaison avec les roulettes anti-basculer (maximum 3 - 5 cm de garde au sol).
- Il est recommandé d'employer le dossier inclinable en combinaison avec la barre de stabilisation.

DOSSIER CASSANT

Dépliage du dossier :
Pour redresser le dossier, poussez les poignées vers le haut et vers l'avant jusqu'à ce qu'elles s'enclenchent.

AVERTISSEMENT !

Tenez vos doigts et tout autre objet éloignés du mécanisme pliant lorsque vous pliez le dossier afin d'éviter toute blessure ou endommagement.



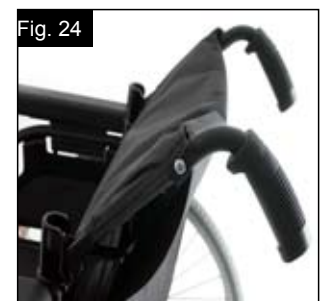
Pliage du dossier :

Le dossier peut être plié afin de faciliter l'entreposage du fauteuil.

ATTENTION !

Ne pliez pas le dossier lorsque l'utilisateur est appuyé contre car cela pourrait endommager le levier.

Pour plier le dossier, tenez-vous derrière le fauteuil et appuyez sur les deux petits leviers (Fig. 23 - 24) placés de chaque côté du dossier (juste au-dessus des accoudoirs). Abaissez le dossier.



TOILE DU DOSSIER RÉGLABLE

Vous pouvez régler la tension de la toile du dossier à l'aide des sangles (Fig. 25).

ATTENTION !

Ne tendez pas les sangles excessivement, car cela pourrait interférer avec le mécanisme de pliage du fauteuil.



Options – Protège-vêtement

PROTÈGE-VÊTEMENT STANDARD RABATTABLE, AMOVIBLE AVEC ACCOUDOIRS COURTS OU LONGS

Le protège-vêtement à bords arrondis permet de plus vous rapprocher d'une table. Pour relever l'accoudoir, enfoncez le levier (1) de manière à libérer le protège-vêtement (Fig. 26 et 27).

La hauteur de l'accoudoir (2) peut être réglée en plaçant le support d'entretoise à la position désirée. Pour cela, dévissez les vis, déplacez le support d'entretoise et resserrez le vis. Vous pouvez régler la longueur de l'accoudoir en dévissant les vis (3), puis en déplaçant l'accoudoir à la position désirée. Revissez les vis (Fig. 27).



Options – Protège-vêtement >>>

ATTENTION !

Ne jamais soulever le fauteuil par les accoudoirs ou le protège-vêtement.

ATTENTION !

Veillez à ne pas vous coincer les doigts lorsque vous réglez la hauteur de la manchette.

PROTÈGE-VÊTEMENT, RABATTABLE, AMOVIBLE ET AVEC ACCOUDOIRS COURTS OU LONGS, À HAUTEUR RÉGLABLE

Vous pouvez régler la hauteur de l'accoudoir de la façon suivante. Enfoncez le levier vers le bas et placez l'accoudoir à la hauteur désirée. Relâchez le levier et appuyez sur l'accoudoir jusqu'à ce qu'il s'enclenche. Vérifiez que l'accoudoir est bien enclenché.

Pour relever l'accoudoir, enfoncez le levier (1) de manière à libérer le protège-vêtement.

Vous pouvez régler la longueur de l'accoudoir. Pour cela, dévissez les vis (2), placez l'accoudoir à la position désirée, puis resserrez les vis (Fig. 28).

ATTENTION !

Ne jamais soulever le fauteuil par les accoudoirs ou le protège-vêtement.

ATTENTION !

Si le fauteuil est doté de roues de 24 pouces, l'accoudoir doit être rehaussé d'un cran.

ACCOUDOIRS RÉGLABLES À MONTANT UNIQUE

Pour régler la hauteur, tirez sur le levier (1) et placez l'accoudoir à la hauteur désirée. Vérifiez ensuite que le levier (1) s'enclenche bien en place. Le retrait de l'accoudoir est réalisé de la même façon.

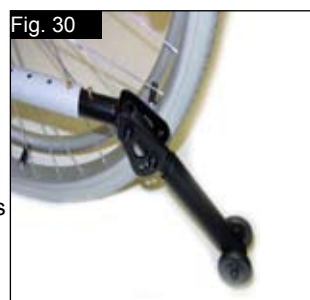
Pour enlever complètement la protection latérale, poussez le levier (2). Lorsque vous installez la protection latérale, le levier (2) doit également être levé. Vérifiez toujours que la protection latérale s'enclenche bien dans le tube de logement. (Fig. 29).

Options - Roulettes anti-bascule**ROULETTES ANTI-BASCULE**

Les roulettes anti-bascule assurent aux utilisateurs inexpérimentés une sécurité renforcée pendant l'apprentissage de leur fauteuil. Elles empêchent le fauteuil de basculer vers l'arrière. Insérez les roulettes anti-bascule dans le montant du châssis jusqu'à ce que le premier des deux boutons à ressort ressorte du premier trou du montant (Fig. 30).

AVERTISSEMENT !

Un mauvais réglage des roulettes anti-bascule augmente le risque pour le fauteuil de basculer en arrière. Vous devez relever les roulettes anti-bascule lorsque vous franchissez un obstacle de grande taille (comme un trottoir) afin d'éviter qu'elles ne heurtent le sol. Abaissez-les ensuite en position normale une fois l'obstacle franchi.



REMARQUE : N'insérez pas les deux boutons à ressort dans le montant du châssis car cela pourrait endommager la roulette et lui faire perdre son efficacité. Pour régler les roulettes anti-bascule vers le haut ou les retirer, enfoncez le second bouton exposé. Il doit également y avoir un écart minimum de 3 cm à 5 cm entre le sol et la roulette. Vous devez faire pivoter les roulettes anti-bascule vers le haut lorsque vous franchissez des obstacles (comme le trottoir) afin d'éviter qu'elles ne touchent le sol. Abaissez-les ensuite en position normale une fois l'obstacle franchi (Fig. 30).

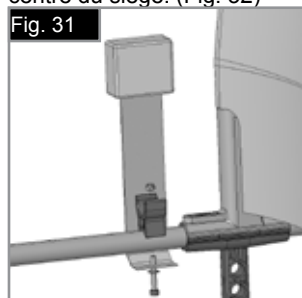
AVERTISSEMENT !

Un mauvais réglage des roulettes anti-bascule augmente le risque pour le fauteuil de basculer en arrière.

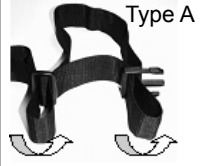
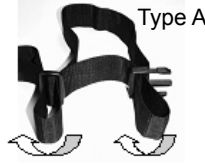
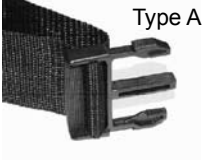

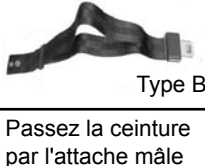

Options – Ceinture sous-abdominale**AVERTISSEMENT !**

Avant d'utiliser votre fauteuil roulant, assurez-vous que la ceinture de sécurité soit mise et réglée correctement avant utilisation.

La ceinture sous-abdominale est fixée sur le fauteuil comme représenté dans l'illustration. La ceinture de sécurité se comprend de 2 moitiés. Elles sont installées en utilisant le boulon de maintien existant du siège fixé à travers l'œillet de la ceinture. La ceinture est passée sous l'arrière du panneau latéral. (Fig. 31) Ajustez la position de la ceinture afin que les attaches soient au centre du siège. (Fig. 32)



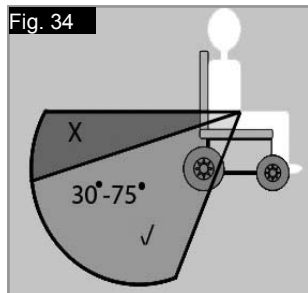
Ajustez la ceinture sous-abdominale afin de convenir aux besoins de l'utilisateur comme ci-après :

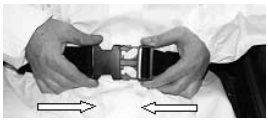



Pour augmenter la longueur de la ceinture	Pour réduire la longueur de la ceinture	✓
		
		
Passez la ceinture par les dispositifs de réglage coulissant et l'attache mâle afin d'obtenir plus de longueur de ceinture.	Passez la ceinture par l'attache mâle et le dispositif de réglage coulissant.	Assurez-vous que la ceinture n'a pas de nœud au niveau de l'attache mâle.

Options – Ceinture sous-abdominale >>>

Une fois la ceinture attachée, vérifiez l'espace entre la ceinture sous-abdominale et l'utilisateur. Si la ceinture est correctement réglée, vous pouvez passer la main à plat entre la ceinture sous-abdominale et l'utilisateur. (Fig. 33)

En général, la ceinture sous-abdominale doit être fixée de façon à ce que les sangles soient à un angle d'environ 45°, et quand elle est correctement réglée, elle ne permet pas à l'utilisateur de glisser dans le siège. (Fig. 34)



	
	
Pour attacher la ceinture : Poussez l'attache mâle de façon ferme dans l'attache femelle.	Pour retirer la ceinture : Appuyez sur les parties exposées de l'attache mâle et poussez vers le centre OU poussez le bouton à pression de la boucle femelle tout tirant doucement pour les séparer.

CONSEIL À L'ATTENTION DU CLIENT

⚠ DANGER !

- N'utilisez pas seulement une ceinture sous-abdominale quand le fauteuil roulant et son utilisateur sont transportés dans un véhicule. Utilisez le dispositif de maintien sous abdominal et diagonal pour passagers fournis dans le véhicule.
- Avant utilisation, nous recommandons de vérifier que la ceinture sous-abdominale est correctement réglée, sans obstruction ou dans le mauvais sens et que la boucle s'enclenche correctement.
- Ne pas s'assurer que la ceinture sous-abdominale est attachée en toute sécurité ou bien réglée avant l'utilisation peut provoquer des blessures graves à l'utilisateur. Ex. une sangle trop lâche peut permettre à l'utilisateur de glisser dans le fauteuil et d'engendrer un risque d'étouffement.

ENTRETIEN :

Vérifiez régulièrement l'état de la ceinture et des composants de retenue afin de détecter l'apparition d'éventuels signes d'endommagement ou de déchirure. Remplacez la ceinture, si nécessaire. Nettoyez la ceinture sous-abdominale avec de l'eau chaude savonneuse et attendez qu'elle sèche.

⚠ DANGER !

La ceinture sous-abdominale doit être réglée de façon à s'adapter à l'utilisateur, comme détaillé ci-dessus. Sunrise Medical recommande également que la longueur et l'ajustement de la ceinture soient vérifiés régulièrement afin de réduire le risque de voir l'utilisateur final régler par inadvertance la ceinture à une longueur excessive.

Si vous avez des doutes au sujet de l'utilisation et de la manipulation de la ceinture demandez l'assistance de votre professionnel de la santé, de votre fournisseur du fauteuil roulant, de votre aide-soignant ou de votre tierce personne.

Options - Siège

TOILE DE SIÈGE STANDARD

La toile du siège est munie d'une bande Velcro sur un côté, qui permet de la régler progressivement. Pour régler la toile, pliez le fauteuil. Retirez les capuchons avant des montants. La toile peut être retirée du châssis. Ouvrez la bande Velcro et réglez la toile. Suivez la procédure dans le sens inverse pour remettre la toile en place (Fig. 39)



⚠ ATTENTION !

- Afin de garantir la sécurité, au moins 50 % de la surface Velcro doit être utilisée.
- Ne tendez pas la toile excessivement de sorte à ne pas interférer avec le mécanisme de pliage du fauteuil. Profondeur du siège

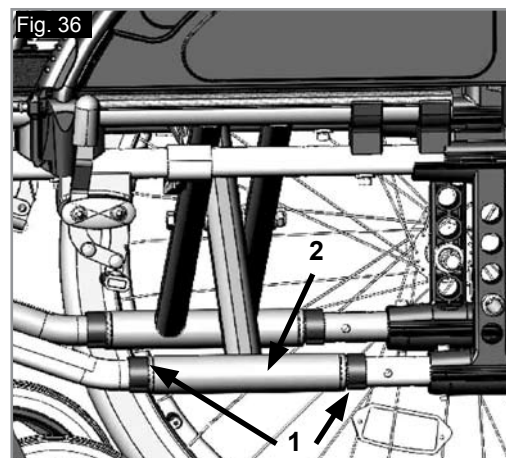
Options – Profondeur du siège

PROFONDEUR DU SIÈGE

Retirez les clips (1), pour déplacer le tube de traverse (2) le long du châssis, afin de modifier la profondeur du siège (selon la position des tubes arrière).

Vérifier que les clips (1) se ré-enclenchent bien dans les orifices prévus sur le châssis.

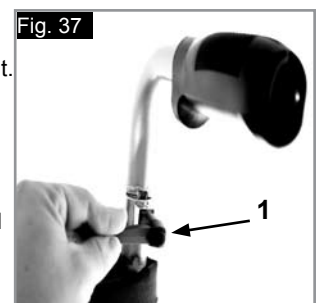
Pour garder le châssis aussi compact que possible, vous pouvez également régler la profondeur du siège avec les tubes arrière (41 – 46 cm par incréments de 2,5 cm). Pour cela, retirez les vis (1 et 2) des fixations des tubes de dossier. Retirez les roues et les accoudoirs et vérifiez que le compas d'articulation est à la position désirée (faites-le glisser en suivant la procédure décrite ci-dessus). Déplacez les tubes arrière à la position désirée et revissez toutes les vis. Placez le tube de logement des accoudoirs à la position appropriée (Fig. 36).



Options – Poignées de poussée

POIGNÉES DE POUSSÉE RÉGLABLES EN HAUTEUR

Les poignées sont maintenues en place par des goupilles qui les empêchent de sortir accidentellement. En ouvrant le levier de libération (1), vous pouvez régler les poignées à la hauteur qui vous convient. Après avoir effectué le moindre réglage de hauteur des poignées, refermez le levier de libération (1) jusqu'à ce qu'il soit serré (Fig. 37).



⚠ ATTENTION !

Si le levier de serrage n'est pas suffisamment serré, cela peut être très dangereux lorsque vous franchissez des obstacles.

Options - Porte-canne

PORTE-CANNE

Le porte-canne vous permet de toujours transporter votre canne avec vous. Une bande Velcro sert à fixer la canne ou tout autre système d'aide à la marche (Fig. 38).



⚠ AVERTISSEMENT !

N'essayez jamais d'utiliser, ni même d'enlever la canne ou tout autre système d'aide à la marche pendant le déplacement du fauteuil.

Options - Tablette thérapeutique

TABLETTE THÉRAPEUTIQUE

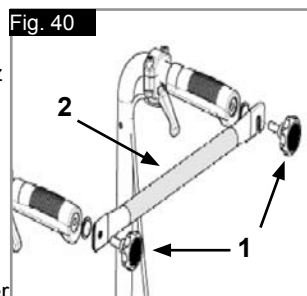
La tablette consiste en une surface plane adaptée à la plupart des activités. La tablette doit être adaptée une fois pour toute à la largeur du siège par votre spécialiste. L'utilisateur doit être assis dans le fauteuil pendant cette opération (Fig. 39).



Options - Barre de stabilisation

TENDEUR DE DOSSIER

Avant de plier le fauteuil, desserrez les boutons à molette (1) et dégagez le tendeur de dossier (2). Pour remettre le tendeur en place, suivez la procédure dans le sens inverse.



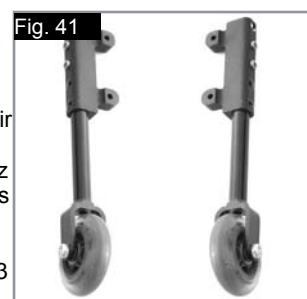
⚠ DANGER !

- Avant d'utiliser le fauteuil, vérifiez que le tendeur de dossier et les molettes sont bien en place et correctement serrés.
- Ne soulevez jamais le fauteuil en l'attrapant par le tendeur de dossier.

Options - Roulettes de transit

ROULETTES DE TRANSIT

Il convient d'utiliser les **roulettes de transit** partout où le fauteuil est trop large lorsqu'il est équipé de ses roues arrière (par ex., à bord d'un avion, dans un bus, etc.). Après avoir retiré les roues arrière grâce à l'axe à déverrouillage rapide, vous pouvez les remplacer immédiatement par les **roulettes de transit** et reprendre votre chemin. Ces **roulettes** sont montées de manière à être environ 3 cm au-dessus du sol quand elles ne sont pas utilisées. Ainsi elles ne gênent pas le déplacement, le transport, ni l'inclinaison du fauteuil pour franchir des obstacles (comme le trottoir, les marches, etc.) (Fig. 41).



⚠ DANGER !

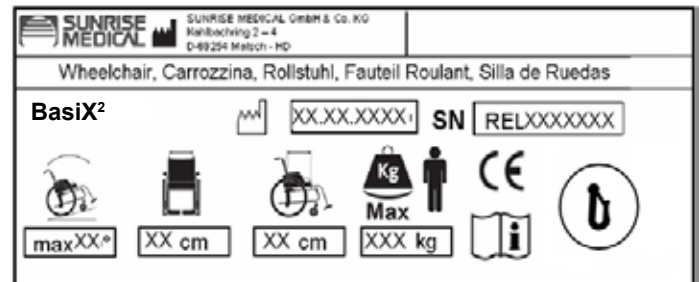
Sans ses roues arrière, votre fauteuil n'a pas de freins d'immobilisation.

Plaque signalétique

Plaque signalétique

La plaque signalétique se trouve sur les tubes de traverse, ainsi que sur une étiquette dans le manuel d'utilisation. La plaque indique la dénomination exacte du modèle et fournit diverses informations techniques. Pour une commande de pièces de rechange ou une réclamation, indiquez SVP les informations suivantes :

ECHANTILLON



BasiX²
XXXXX-XXX

Désignation du produit/Numéro de SKU.

Pente maximale pouvant être abordée par le fauteuil équipé de roulettes anti-bascule. Dépend de la configuration du fauteuil, de la posture et des capacités physiques de l'utilisateur.



Largeur du siège.



Profondeur (maximale).



Charge maximale.



Marquage CE



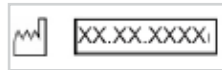
Manuel d'utilisation



Essais de choc



Date de fabrication



Numéro de série.



En raison de notre politique d'amélioration continue dans la conception de nos fauteuils roulants, les spécifications des produits peuvent légèrement différer des exemples illustrés dans le présent manuel. Toutes les valeurs relatives aux poids et aux dimensions et les données de performance sont approximatives et fournies à titre d'information uniquement.

Les fauteuils de Sunrise Medical sont fabriqués conformément à la directive 93/42/CEE relative aux dispositifs médicaux.



Tous les fauteuils roulants doivent être utilisés conformément aux instructions du fabricant.

Sunrise Medical GmbH & Co.KG
Kahlbachring 2-4
69254 Malsch/Heidelberg
Allemagne
Tél. : +49 (0) 7253/980-0
Fax : +49 (0) 7253/980-111
www.sunrisemedical.com

Pneus et montage des pneus

PNEUS ET MONTAGE DES PNEUS

Le fauteuil est équipé de série de pneu bandage. Avec des pneus pneumatiques veillez à ce que la pression de vos pneus soit toujours correcte car les caractéristiques du fauteuil peuvent changer. Quand la pression est insuffisante, il faut dépenser plus d'énergie car la résistance du fauteuil est très élevée. La maniabilité du fauteuil en est réduite. Le pneu peut éclater si la pression est trop élevée. La pression correcte est indiquée sur le bandage du pneu (min. 3.5 bar).

Les pneus se montent comme des pneus de vélo courants. Avant de remplacer la chambre à air, inspectez la jante et la paroi interne du pneu et enlevez tout éventuel corps étranger. Vérifiez la pression des pneus après le montage ou la réparation. Il est important pour votre propre sécurité et pour une bonne performance de votre fauteuil de vérifier la pression de l'air régulièrement et de maintenir les pneus en bon état.

Maintenance et entretien

CONTRÔLE DE SÉCURITÉ :

En tant qu'utilisateur, vous êtes le mieux placé pour remarquer toute éventuelle anomalie. Par conséquent, nous vous recommandons de contrôler les éléments suivants avant chaque utilisation :

la pression des pneus est correcte.
les freins fonctionnent correctement.
tous les organes amovibles sont correctement attachés (par ex. accoudoirs, potences de repose-pieds, axes à déverrouillage rapide ...).
En cas d'endommagement ou de dysfonctionnement, contactez votre revendeur agréé.

ENTRETIEN :

Contrôlez la pression des pneus à intervalles réguliers.
Inspectez tous les pneus afin de déceler tout signe d'usure ou d'endommagement, à intervalles réguliers, au moins une fois par an. Changez les pneus dès l'apparition de signes d'usure ou d'endommagement.
Inspectez le siège et la toile du dossier afin de déceler tout signe d'usure ou d'endommagement, à intervalles réguliers, au moins une fois par an. Remplacez-les dès l'apparition de signes d'usure ou d'endommagement.
Inspectez tous les composants du châssis et du dossier afin de déceler tout signe d'usure ou d'endommagement, à intervalles réguliers, au moins une fois par an. Remplacez-les dès l'apparition de signes d'usure ou d'endommagement.
Inspectez les freins afin de déceler tout signe d'usure ou d'endommagement, à intervalles réguliers, au moins une fois par an. Vérifiez qu'ils fonctionnent correctement et qu'ils sont faciles à actionner. Changez les freins dès l'apparition de signes d'usure ou d'endommagement.
Vérifiez que tous les boulons sont bien serrés (Voir la section sur les couples de serrage), à intervalles réguliers, au moins une fois par an. Tous les boulons essentiels à une utilisation sécurisée du fauteuil sont dotés d'écrous freinés. Les écrous de sécurité ne doivent être utilisés qu'une seule fois. Après une utilisation répétée, vous devez remplacer ces écrous.

REMARQUE : En présence de valeurs de couples de serrage, nous recommandons vivement l'utilisation d'un outil de mesure du couple afin de vous assurer d'avoir serré les organes à la torsion adéquate.

Si votre fauteuil est sale, nettoyez-le uniquement avec un nettoyant ménager doux. Nettoyez la toile du siège et la ceinture sous-abdominale à l'eau et au savon uniquement.

Selon la fréquence et le type d'utilisation de votre fauteuil, il est recommandé de l'amener régulièrement chez votre revendeur agréé, au moins une fois par an, afin de le faire réviser par du personnel formé à cet effet.

ATTENTION !

Le sable, le sel et l'eau de mer peuvent endommager les roulements des roues avant et arrière. Nettoyez et séchez soigneusement le fauteuil s'il a été exposé à ces éléments.

CONSIGNES D'HYGIÈNE AVANT RÉUTILISATION :

Veillez à toujours apprêter le fauteuil soigneusement avant de le réutiliser et à désinfecter toutes les surfaces susceptibles d'entrer en contact avec l'utilisateur.

Pour un nettoyage rapide, vous pouvez utiliser un désinfectant à base d'alcool, similaire à ceux utilisés pour les produits et les instruments médicaux.
Suivez bien les consignes du fabricant du désinfectant de votre choix.

Dépannage

Le fauteuil tire sur le côté

- Vérifiez la pression des pneus.
- Vérifiez que la roue (roulement, axe) roule sans problèmes.
- Vérifiez l'angle des roues avant
- Vérifiez si les roues avant sont toutes les deux en contact avec le sol.

Les roues avant oscillent

- Vérifiez l'angle des roues avant
- Vérifiez que les visseries sont fixes, resserrez-les le cas échéant (voir la page des couples de serrage)
- Vérifiez si les roues avant sont toutes les deux en contact avec le sol.

Le fauteuil grince et cliquette

- Vérifiez que les visseries sont fixes, resserrez-les le cas échéant (voir la page des couples de serrage)
- Graissez légèrement les parties articulées.

Le fauteuil a du jeu

- Vérifiez l'angle des roues avant
- Vérifiez la pression des pneus.
- Vérifiez si les roues arrière sont réglées différemment.

Mise au rebut / Recyclage des matériaux

REMARQUE : Si ce fauteuil vous a été remis gratuitement, il pourrait ne pas vous appartenir. Si vous n'en avez plus usage, respectez les consignes énoncées par l'organisme qui vous l'a fourni afin de le lui rendre.

Les informations suivantes décrivent les différents matériaux composant le fauteuil en vue de la mise au rebut ou du recyclage du fauteuil et de ses matériaux d'emballage.

Vous devez respecter toute réglementation spécifique en vigueur dans votre localité relative à la mise au rebut et au recyclage (notamment le nettoyage ou la décontamination du fauteuil roulant avant sa mise au rebut).

Aluminium : Fourches, roues, protège-vêtement, accoudoirs, châssis, repose-jambes, poignées de poussée

Acier : Fixations, axes à déverrouillage rapide

Plastique : Poignées, capuchons des tubes, roues avant, palettes, manchettes et roue/pneu de 12 pouces

Emballage : Sachet en polythène de faible densité, carton

Garniture : Polyester tissé à revêtement PVC et mousse expansée à combustion modifiée.

La mise au rebut ou le recyclage doit être assuré par un agent spécialisé ou une décharge agréée. Vous pouvez également renvoyer votre fauteuil à votre revendeur qui se chargera de sa mise au rebut.



Caractéristiques techniques

Largeur totale :

Avec roues standard, main-courante, montage étroit :

LS + 19 cm

Avec freins à tambour, y inclus les main-courantes, montage étroit :

LS + 21 cm

Dimensions du fauteuil plié :

Avec roues standard = 30 cm

Sans roues standard = 24 cm

Charge maximum :

Jusqu'à 125 kg

Poids en kg :

Transport (sans repose-pied, roues, protège-vêtement) 8,4 kg

Repose-pied (unité) :

0,8 kg

Protège-vêtement standard (unité) :

0,8 kg

Roues arrière 24" (bandage) (paire) :

3,8 kg

CHARGE MAXIMUM : 125 KG

VOIR ÉGALEMENT LA PAGE 5

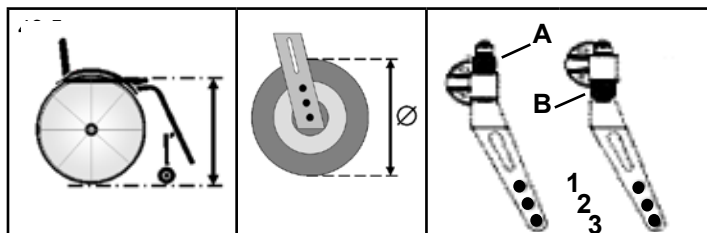
Conformément à la norme EN12183: 2009, toutes les pièces mentionnées dans le présent manuel (toile du siège/dossier, manchette, protège-vêtement...) sont résistantes au feu (norme EN1021-2).

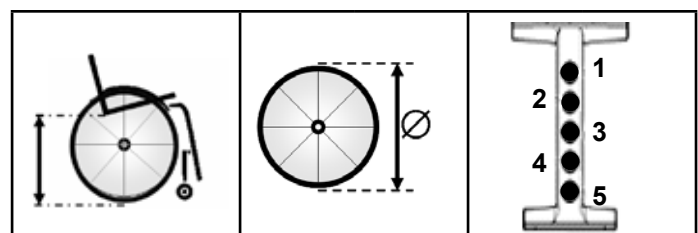
Le degré d'inclinaison maximum des pentes dépend de la configuration du fauteuil, des capacités de l'utilisateur et du style de conduite. Les capacités de l'utilisateur et son style de conduite ne pouvant être prédéfinis, le degré d'inclinaison maximum des pentes ne peut être déterminé. Il revient donc à l'utilisateur, assisté de son accompagnateur, de déterminer l'inclinaison maximale afin d'éviter tout risque de basculement. Il est vivement recommandé d'installer des roulettes anti-basculer pour les utilisateurs inexpérimentés.

Le fauteuil est conforme aux normes suivantes :

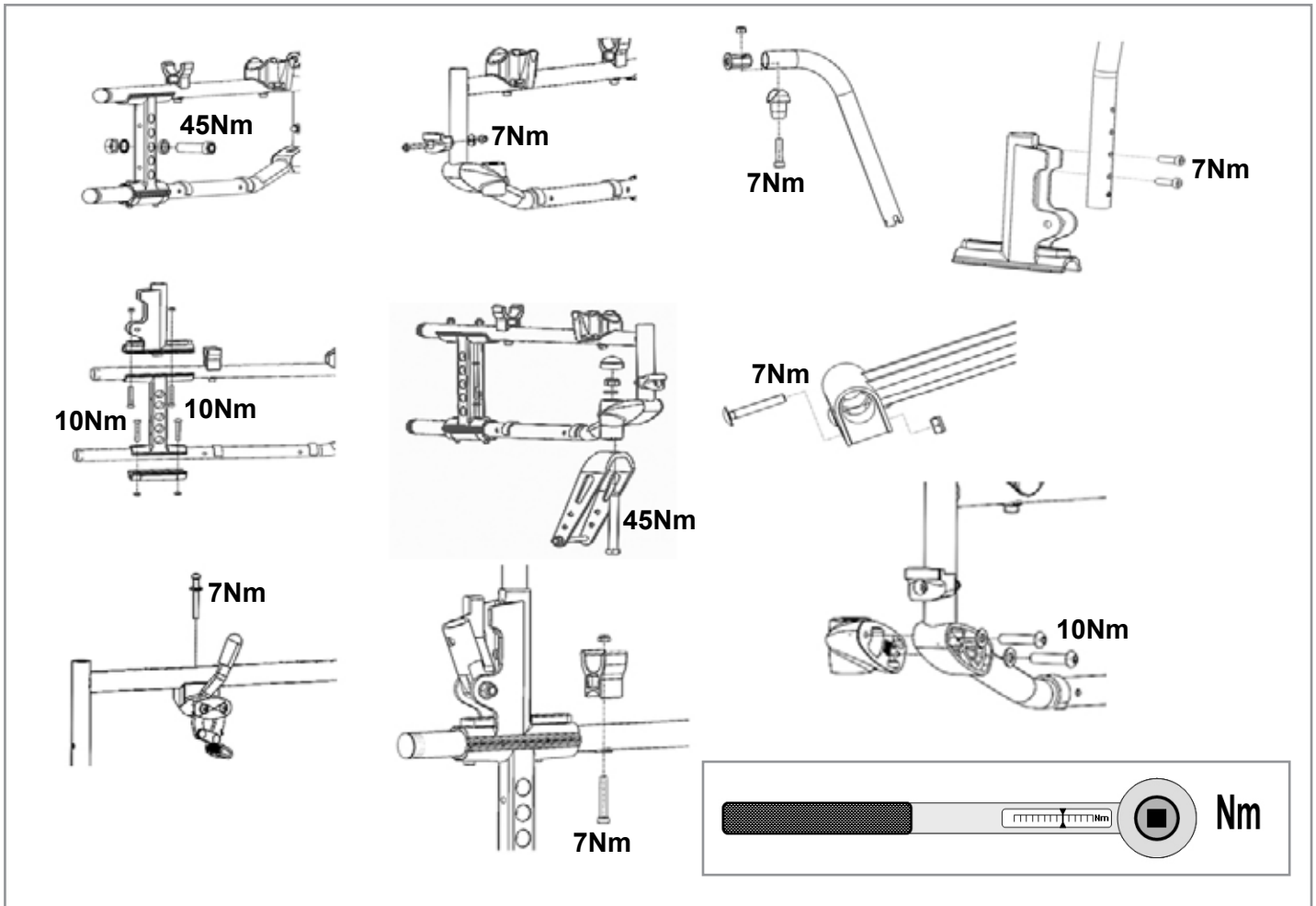
- Exigences et méthodes d'essai pour la résistance statique, la résistance aux chocs et la résistance à la fatigue (ISO 7176-8)
- Exigences en matière de résistance à l'inflammation des parties rembourrées conformément à ISO 7176-16 (EN 1021-1)

Réglage de la hauteur du siège

			
425 mm	8"	1A	
450 mm	8"	2A	1B
480 mm	8"	3A	2B
505 mm	8"		3B
425 mm	6"	2A	1B
450 mm	6"	3A	2B
480 mm	6"		3B

			
400 mm	24"		1
425 mm	24"		2
450 mm	24"	12"	3
475 mm	24"		4
500 mm	24"		5

Couple réel



FRANÇAIS

SAUF INDICATION CONTRAIRE, LE COUPLE DE SERRAGE POUR LES VIS M6 EST DE 7 NM.

Voorwoord

Beste klant,

Wij zijn erg blij dat u gekozen hebt voor een kwalitatief hoogstaand SUNRISE MEDICAL-product.

In deze gebruikshandleiding vindt u tal van tips en ideeën waarmee u van uw nieuwe rolstoel een betrouwbare partner in uw leven kunt maken.

Wij willen dat u tevreden bent over onze producten en diensten. Sunrise Medical werkt voortdurend aan de ontwikkeling van zijn producten. Hierdoor kunnen zich veranderingen voordoen in onze reeks producten wat betreft vorm, technologie en uitrusting. Er zijn dan ook geen juridische vorderingen mogelijk op basis van de gegevens of de afbeeldingen in deze gebruikershandleiding.

Het managementsysteem van SUNRISE MEDICAL is gecertificeerd en voldoet aan de ISO 9001, ISO 13485 en ISO 14001 normen.



Als fabrikant, SUNRISE MEDICAL, verklaren wij dat de rolstoelen voldoen aan de Europese Richtlijn 93/42/EEC, die is gewijzigd in de 2007/47/EC richtlijn.

Daarnaast voldoen zij aan de vereisten van de "Crashtest" tot ISO 7176-19

Heeft u vragen over het gebruik, het onderhoud of de veiligheid van uw rolstoel, neem dan contact op met uw plaatselijke erkende dealer van SUNRISE MEDICAL.

Is er geen erkende dealer in uw regio of hebt u vragen, neem dan schriftelijk of telefonisch contact op met Sunrise Medical:

Sunrise Medical B.V.
Groningenhaven 18-20
3433 PE Nieuwegein
Nederlands
Tel.: +31 (0) 3060-82100
www.sunrisemedical.com

Noteer het adres en telefoonnummer van uw plaatselijke dealer in de daarvoor bestemde ruimte.

Neem in het geval van storingen contact op met de dealer en probeer zoveel mogelijk relevante informatie te geven zodat men u snel kan helpen.



BELANGRIJK:
GEBRUIK UW ROLSTOEL NIET TOT U DEZE
GEBRUIKSAANWIJZING HEEFT GELEZEN EN
BEGREPEN.

Legenda symbolen



GEVAAR!

Dit betekent een waarschuwing betreffende mogelijke risico's op ernstige ongelukken of overlijden.



WAARSCHUWING!

Dit betekent een waarschuwing betreffende mogelijke risico's op lichamelijk letsel.



OPGELET!

Waarschuwingsberichten betreffende mogelijke technische schade.

OPMERKING:

Informatie over bediening van het product.

Inhoudsopgave

Voorwoord	48
Legenda symbolen	48
Inhoudsopgave	48
Gebruik	48
Toepassingen	48
Algemene veiligheidsinstructies en besturingsrestricties	49
Garantie	50
Transport	51
Handling	53
Opties – Trapdop	53
Opties - Wielvergrendelingen	53
Opties - Voetenplaten	54
Opties - Zwenkwielen	54
Opties - Zwenkwieladaptor	54
Opties - Ruggleuning	55
Opties - Zijkanten	55
Opties – Anti-tip wielen	56
Opties – Heupgordel	56
Opties - Zitsysteem	57
Opties – Zitdiepte	57
Opties – Duwhandvatten	57
Opties - Krukkenhouder	58
Opties - Werkblad	58
Opties - Stabilisatiestang	58
Opties – Transitwielen	58
Sticker	58
Banden en montage	59
Algemeen onderhoud	59
Mogelijke problemen	59
Afvalverwerking / recycling van materialen	59
Technische gegevens	60
Aanpassing zithoogte	60
Koppel	61

Gebruik

Lichtgewicht rolstoelen zijn uitsluitend bedoeld voor gebruikers die niet kunnen lopen of beperkt mobiel zijn. De rolstoel kan zowel binnens- als buitenshuis worden gebruikt, op een droge, stevige en vlakke ondergrond, op eigen kracht voortbewogen of door een begeleider die de rolstoel duwt.

Het maximale gewicht dat de stoel kan dragen staat vermeld bij het serienummer; dit vindt u aan de kruisstang of stabiliseerstang onder de zitting. Het maximale gewicht is het totale gewicht van de gebruiker en de op de rolstoel gemonteerde accessoires.

Aansprakelijkheid wordt uitsluitend geaccepteerd indien het product wordt gebruikt onder die specifieke omstandigheden en voor het doel waarvoor het product is gemaakt.

De verwachte levensduur van de rolstoel is vijf jaar. Monteer of gebruik GEEN onderdelen van andere partijen op de rolstoel, tenzij deze officieel goedgekeurd zijn door Sunrise Medical.

Toepassingen

De keuze aan beschikbare accessoires en het modulaire ontwerp betekenen dat de rolstoel kan worden gebruikt door personen die niet kunnen lopen of beperkt mobiel zijn vanwege:

- Verlamming
- Amputatie (van been of benen)
- Disfunctioneren of misvorming van been of benen
- Contractuur van/letsel aan gewrichten
- Ziektes zoals hart- en circulatieafwijkingen, evenwichtsstoringsen of cachexie evenals voor oudere mensen die nog kracht in het bovenlichaam hebben.

Wanneer levering/aanschaf van een rolstoel wordt overwogen, neem dan de volgende zaken in overweging: lichaamsgrootte, gewicht, fysieke en psychische toestand, leeftijd, leefomstandigheden en -omgeving.

Algemene veiligheidsinstructies en besturingsrestricties

De techniek en constructie van deze rolstoel zijn ontworpen voor het bieden van maximale veiligheid. Aan de momenteel van kracht zijnde internationale veiligheidsnormen is voldaan en zij zijn overtroffen. Toch kunnen gebruikers zichzelf in gevaar brengen door onjuist gebruik van hun rolstoel. Voor uw eigen veiligheid moeten de volgende regels absoluut worden opgevolgd.

Onprofessionele of foutieve aanpassingen of instellingen kunnen de kans op ongelukken vergroten. Als rolstoelgebruiker maakt u, net als andere weggebruikers, deel uit van het dagelijkse verkeer op straten en trottoirs. Wij herinneren u er aan dat u daardoor ook onderworpen bent aan alle verkeerswetgeving.

Wees voorzichtig tijdens uw eerste rit in deze rolstoel. Leer uw rolstoel kennen.

Voor elk gebruik, moet het volgende worden gecontroleerd:

- Vaste assen of Quick release assen op de achterwielen.
- Velcro op de zittingen en rugleuningen
- Banden, bandendruk en parkeerremmen.

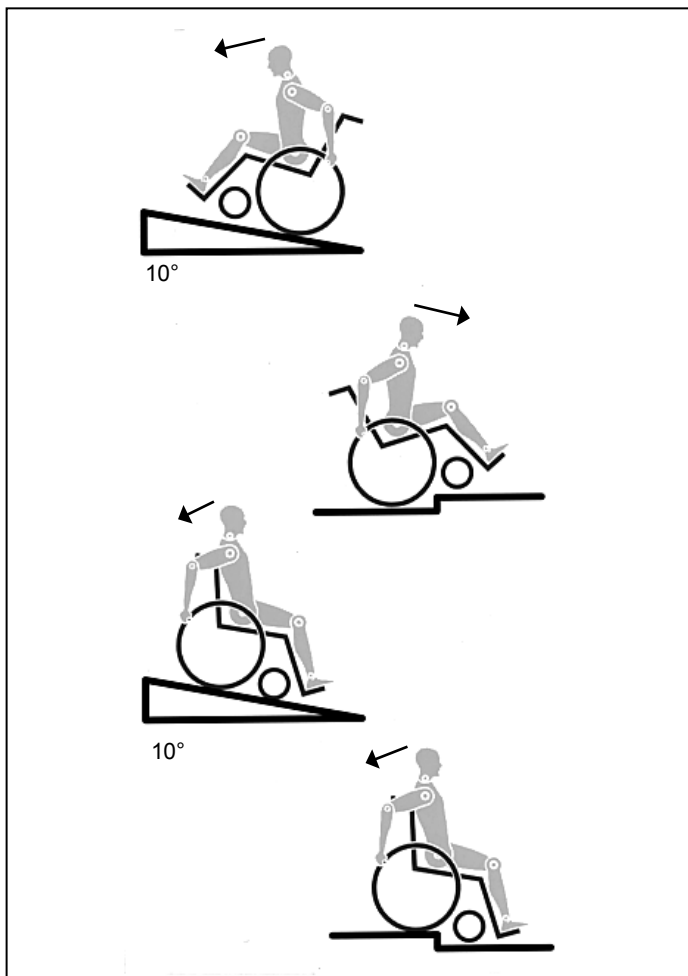
Alvorens aanpassingen van deze rolstoel te wijzigen, is het belangrijk het bijbehorende deel van de gebruiksaanwijzing te lezen.

Het is mogelijk dat de rolstoel door kuilen of oneffen oppervlakken kan kantelen, in het bijzonder wanneer heuvel op of af wordt gereden.

Wanneer over een trede of helling op wordt gereden, moet het lichaam naar voren zijn gebogen.

GEVAAR!

- Overschrijd NOOIT de maximale belasting van 125kg voor de gebruiker plus voorwerpen die meegenomen worden op de rolstoel. Als u de maximale belasting overschrijdt, kan dit leiden tot schade aan de stoel, of u kunt omvallen of omkantelen, de controle verliezen, wat ernstig letsel aan de gebruiker en andere personen tot gevolg kan hebben.
- Draag lichte of reflecterende kleding wanneer u in het donker naar buiten gaat. Zo wordt u gemakkelijker gezien. Zorg ervoor dat de reflectoren op de zij- en achterkant van de rolstoel duidelijk zichtbaar zijn.
- Sunrise adviseert tevens gebruik te maken van verlichting.



GEVAAR!

- Om vallen en gevaarlijke situaties te voorkomen, is het verstandig om eerst met uw nieuwe rolstoel te oefenen op een vlakke ondergrond, bij goed zicht.
- Gebruik de voetplaten niet als u in of uit de rolstoel stapt.
- Deze moeten van tevoren omhoog worden geklapt en zo ver mogelijk naar buiten worden gedraaid. Plaats uzelf altijd zo dicht mogelijk bij de plek waar u naar toe wilt overstappen of overgebracht wilt worden.
- Wees voorzichtig wanneer u de rolstoel gebruikt. Probeer bijvoorbeeld niet tegen een voorwerp op te rijden zonder te remmen (opstapje, trottoirrand) of verschillen in afstapjes.
- De parkeerremmen zijn niet bedoeld om uw rolstoel te remmen wanneer deze in beweging is. Ze zijn slechts bedoeld om te voorkomen dat uw rolstoel onbedoeld begint te rollen. Wanneer u op een oneffen oppervlak stopt, dient u altijd uw parkeerremmen te gebruiken om weggrollen te voorkomen. Gebruik altijd beide parkeerremmen anders kan uw rolstoel kantelen.
- Probeer uit welk effect een verandering op het zwaartepunt van de rolstoel heeft; bijvoorbeeld op hellingen of wanneer u over obstakels probeert te rijden. Doe dit met de hulp van een begeleider.
- Met extreme instellingen (bijv. achterwielen in de voorste positie) en minder dan perfecte houding, kan de rolstoel zelfs op een effen oppervlak omkantelen.
- Leun met uw bovenlichaam naar voren als u hellingen en opstapjes opgaat.
- Leun met uw bovenlichaam verder naar achteren, wanneer u van een helling of afstapje afgaat. Probeer nooit diagonaal een helling op of af te gaan.
- Gebruik nooit een roltrap, aangezien u hier vanaf kunt vallen wat ernstig letsel kan veroorzaken.
- Gebruik de rolstoel niet op hellingen steiler dan $> 10^\circ$. De werking van de Dynamic beveiliging hangt af van de instellingen van de stoel, de capaciteiten van de gebruiker en de rijstijl. Omdat Sunrise Medical vooraf niet kan voorzien hoe de capaciteiten en rijstijl van de gebruiker is, kan de maximale veilig te nemen helling niet worden bepaald. Daarom moet dit door de gebruiker worden bepaald, samen met een begeleider, die kan voorkomen dat de rolstoel kantelt. Sunrise Medical adviseert onervaren gebruikers veiligheidswielen te laten installeren.
- Het is mogelijk dat de rolstoel door kuilen of oneffen oppervlakken kan kantelen, in het bijzonder wanneer heuvel op of af wordt gereden.
- Gebruik de rolstoel niet op modderige of bevroren (gladde) ondergrond.
- Daar waar voetgangers niet zijn toegestaan, mag u ook niet met de rolstoel rijden.
- Steek nooit uw handen tussen de spaken of tussen het achterwiel en wielvergrendeling terwijl u rijdt. Dit kan leiden tot letsel aan de handen.
- Met name bij het gebruik van lichtgewicht hoepels, worden vingers gemakkelijk warm bij het remmen op hoge snelheid of op steile hellingen.
- Gebruik geen trappen zonder de hulp van een begeleider. Er bestaan middelen om u te helpen, bijv. hellingen op te gaan of de lift te gebruiken. Wij raden u aan deze te gebruiken. Als deze niet beschikbaar zijn, dient de rolstoel naar achteren te worden gekanteld en over de treden te worden geduwd (2 helpers), maar mag nooit worden getild. We adviseren gebruikers zwaarder dan 100 kg niet op deze wijze over te brengen. Over het algemeen moeten anti-tip wielen zodanig worden ingesteld dat ze de treden niet kunnen raken, omdat dit tot een ernstige val zou kunnen leiden. Naderhand moeten de anti-tip wielen weer in de oude positie worden teruggebracht.
- Zorg ervoor dat de begeleider de rolstoel alleen aan stevig bevestigde onderdelen vasthoudt. Gebruik geen verwijderbare onderdelen (bijvoorbeeld de voetsteunen of de zijbeschermers).

⚠ GEVAAR!

- Wanneer u de rolstoellift gebruikt, dient u ervoor te zorgen dat de aangebrachte anti-tip wielen buiten de gevarenszone zijn geplaatst.
- Gebruik de remvergrendeling om de stoel vast te zetten wanneer u zich op ongelijke grond bevindt of wanneer de rolstoel bijvoorbeeld in een auto wordt geplaatst.
- Wanneer gebruik wordt gemaakt van een speciaal voor gehandicaptenvervoer ingericht voertuig, dienen de personen die worden vervoerd, voor zover mogelijk, gebruik te maken van de stoelen van het voertuig en het juiste gordelsysteem. Alleen op deze wijze genieten de personen optimale bescherming indien een ongeluk plaatsvindt.
- Afhankelijk van de diameter en instelling van de zwenkwielen evenals de instelling van het zwaartepunt van de rolstoel, kunnen de zwenkwielen op hoge snelheid beginnen te trillen. Hierdoor kunnen de zwenkwielen geblokkeerd raken en kan de rolstoel omkantelen. Zorg er daarom goed voor dat de zwenkwielen goed zijn aangepast (zie het hoofdstuk "Zwenkwielen").
- Rijd met name niet op een helling zonder remmen en rijd op lage snelheid. We raden aan dat nieuwe gebruikers anti-tip gebruiken.
- Met anti-tip wielen kan de stoel niet onbedoeld achterover kantelen. Ze mogen in geen geval de transitwielen vervangen en gebruikt worden om een persoon in een rolstoel te vervoeren als de achterwielen zijn verwijderd.
- Wanneer u naar voorwerpen (die zich voor, aan de zijkant of achter de rolstoel bevinden) reikt, zorg er dan voor dat u niet te ver uit de rolstoel leunt, want als u het zwaartepunt verandert, bestaat het gevaar dat u omkantelt of omver rolt. Als u extra belasting (rugzak of gelijksoortige voorwerpen) aan de buizen van de rugleuning hangt, kan dit van invloed zijn op de stabiliteit aan de achterkant van uw stoel, vooral in combinatie met rugleuningen die achterover kunnen leunen. Hierdoor kan de stoel naar achteren kantelen en letsel veroorzaken.
- Gebruikers met een amputatie vanaf de dij, moeten anti-tip wielen gebruiken.
- Controleer voor vertrek of de bandenspanning correct is. Voor de achterwielen moet de druk ten minste 3,5 bar (350 kPa). De maximale druk staat aangegeven op de band. De knie-remhendels functioneren alleen bij voldoende bandenspanning en wanneer ze correct zijn ingesteld (zie ook het hoofdstuk "Remmen").
- Indien de zitting of rugbekleding van de rugleuning beschadigd zijn, dient u deze direct te vervangen.
- Wees voorzichtig met vuur, en vooral met brandende sigaretten. De banden van de rugleuning en zitting kunnen vlam vatten.
- Wanneer de rolstoel gedurende lange tijd wordt blootgesteld aan direct zonlicht, of koude temperaturen, dan kunnen rolstoelonderdelen (bijv. het frame, de beensteunen, de remmen of de zijbeschermers) heel warm (>41°C) / of heel koud (<0°C) worden.
- Zorg er altijd voor dat de quick release assen op de achterwielen, indien deze zijn gemonteerd, op de juiste wijze zijn afgesteld en vergrendeld (kogellagers van de vergrendelende bal moeten volledig zichtbaar zijn door het ashuis). Wanneer de knop op de quick release as niet ingedrukt is, kan het achterwiel niet worden verwijderd.

⚠ OPGELET!

- Het effect van de kniehevelrem evenals de algemene rijeigenschappen hangen af van de bandendruk. De rolstoel is aanzienlijk lichter en gemakkelijker te manoeuvreren wanneer de achterwielen op de juiste spanning zijn en beide dezelfde spanning hebben.
- De banden van de rolstoel moeten voldoende profiel hebben!
- Let op dat u zich aan alle verkeerswetten moet houden wanneer u zich op de openbare weg begeeft.
- Wees altijd voorzichtig wanneer u de rolstoel aanpast.
- Wijzigingen waarvoor gereedschappen nodig zijn, moeten altijd door de erkende dealer worden uitgevoerd.
- Reinig de rolstoel regelmatig om roest en corrosie door zout te voorkomen.

- ⚠** • Controleer de schroeven, bouten en moeren om te controleren of ze goed vastzitten zodat er geen onderdelen van de rolstoel los gaan zitten.

OPGELET!

- Bij bewegende onderdelen is er altijd gevaar op beknelde vingers. Wees voorzichtig wanneer u iets wilt veranderen aan de rolstoel.
- Het kan zijn dat de getoonde en beschreven product in deze handleiding niet op elk detail precies hetzelfde als uw eigen model is. Alle instructies zijn echter belangrijk, ongeacht de verschillen in detail.
- De fabrikant houdt zich het recht voor zonder opgave gegevens met betrekking tot gewicht, maten of andere technische gegevens zoals genoemd in deze handleiding, te wijzigen. Alle afbeeldingen, maten en mogelijkheden zoals getoond in deze handleiding zijn slechts indicatief en bevatten geen specificaties.

Levensduur

De verwachte levensduur van dit product is 5 jaar, op voorwaarde dat:
het product wordt gebruikt in strikte overeenkomst met het bedoelde gebruik;
voldaan wordt aan alle eisen ten aanzien van service en onderhoud.

Garantie

GARANTIE

DIT HEEFT OP GEEN ENKELE WIJZE INVLOED OP UW WETTELIJKE RECHTEN

Garantievoorwaarden

- 1) Reparaties en vervanging mogen uitsluitend worden uitgevoerd door een erkende Sunrise Medical dealer/onderhoudsmonteur.
- 2) Om van de garantie gebruik te maken in het geval dat uw product op grond van deze overeenkomst gerepareerd moet worden, dient u onmiddellijk contact met de aangewezen Sunrise Medical dealer op te nemen, met volledige informatie over de aard van het probleem. Indien u de product niet in de omgeving van een aangewezen Sunrise Medical dealer gebruikt, worden reparaties op grond van de "Garantievoorwaarden" door een andere dealer uitgevoerd die door de fabrikant wordt aangewezen.
- 3) Indien een onderdeel van de rolstoel gerepareerd of vervangen moet worden, als gevolg van een specifiek gebrek van fabricage of materiaal, binnen 24 maanden, (5 jaar voor het frame en het kruisframe) vanaf de datum waarop het eigendom van het product werd overgedragen naar de oorspronkelijke koper, en op voorwaarde dat deze koper nog steeds de eigenaar is, wordt het onderdeel of worden de onderdelen zonder kosten vervangen of gerepareerd, op voorwaarde dat de rolstoel wordt teruggebracht naar de erkende dealer.
Opmerking: Deze garantie is niet overdraagbaar.
- 4) Eventuele gerepareerde of vervangen onderdelen vallen onder deze regeling voor het resterende van de garantieperiode die op de rolstoel van toepassing is.
- 5) Voor onderdelen die na het verlopen van de oorspronkelijke garantie vervangen zijn, geldt een garantie van 12 maanden.
- 6) Verslijtbare onderdelen vallen over het algemeen niet onder de normale garantie, tenzij deze duidelijk overmatige slijtage hebben ondergaan als een rechtstreeks gevolg van een oorspronkelijke fabricagefout. Deze onderdelen zijn o.a. bekleding, banden, binnenbanden en vergelijkbare onderdelen.
- 7) Bovenstaande garantievoorwaarden gelden voor alle productonderdelen, voor modellen die voor de volle handelsprijs gekocht zijn.
- 8) Onder normale omstandigheden wordt geen verantwoordelijkheid geaccepteerd voor reparatie of vervanging van de product als een rechtstreeks gevolg van:
 - a) Het niet onderhouden of service verlenen in overeenstemming met de aanbevelingen van de fabrikant, zoals vermeld in de handleiding voor eigenaren (gebruikershandleiding) en / servicehandleiding; Het niet gebruiken van de gespecificeerde originele onderdelen;
 - b) Wanneer het product of onderdeel is beschadigd door verwaarlozing, een ongeluk of oneigenlijk gebruik;
 - c) Verandering van de product of het onderdeel in afwijking van de specificaties van de fabrikant, of reparaties die getracht zijn voordat de dealer op de hoogte werd gesteld.
 - d) Indien het product leidt aan corrosie door onjuist onderhoud.

Transport

GEVAAR!

Indien dit advies wordt genegeerd ontstaat het risico op ernstig letsel of overlijden.

Het vervoer van uw rolstoel in een voertuig:

Een in een voertuig vastgezette rolstoel biedt niet dezelfde veiligheid als een normale stoel en veiligheidssysteem in dat voertuig. Sunrise adviseert altijd om de rolstoelgebruiker over te brengen naar een stoel van het voertuig. Sunrise Medical erkent dat het niet altijd praktisch is om een rolstoelgebruiker over te brengen naar een gewone stoel in het voertuig. Wanneer de gebruiker vervoerd moet worden in de rolstoel, moet onderstaand advies worden opgevolgd:

1. Controleer of het voertuig over de juiste hulpmiddelen beschikt om een passagier in een rolstoel te vervoeren. Controleer tevens of de methode om in en uit het voertuig te komen, geschikt zijn voor uw type rolstoel. De vloer van het voertuig moet sterk genoeg zijn om het totale gewicht van de rolstoelgebruiker, de rolstoel en de accessoires te dragen.

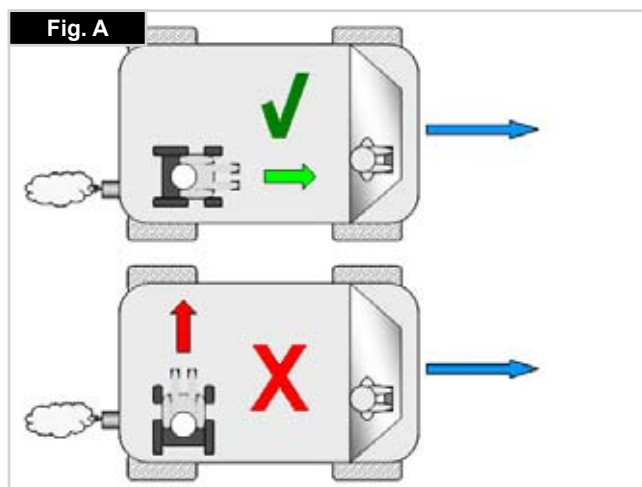
2. Rondom de rolstoel dient voldoende ruimte te zijn om de spanbanden en veiligheidsgordels te bevestigen en de rolstoel goed en gemakkelijk vast te zetten en los te maken.

3. De stoel met daarin de gebruiker moet in de rijrichting worden geplaatst. De rolstoel dient te worden vastgezet met spanbanden en voor de gebruiker dienen veiligheidsgordels gebruikt te worden, waarbij wordt voldaan aan de normen ISO 10542 of SAE J2249 en aan de WTORS instructies van de fabrikant.

4. De rolstoel is niet getest in andere posities binnen een voertuig. De rolstoel met daarin de gebruiker mag nooit in zijwaartse richting worden vervoerd (Fig. A).

5. De rolstoel moet worden vastgezet met een bevestigingssysteem dat voldoet aan ISO 10542 of SAE J2249, met niet-verstelbare banden aan de voorzijde en verstelbare banden aan de achterzijde, die worden bevestigd door middel van karabijnhaken/S-haken en gesp en gordel bevestigingen. De bevestigingen bestaan doorgaans uit vier aparte banden die vastgemaakt worden aan iedere hoek van de rolstoel.

6. De verankeringsbanden moeten aan het frame van de rolstoel worden bevestigd zoals aangegeven in de tekening op de volgende pagina. Ze mogen niet worden bevestigd aan accessoires, wielen, remmen, voetsteunen en dergelijke.



7. De verankeringsbanden dienen in een hoek van 45 graden zo dicht mogelijk bij de stoel bevestigd te worden; de banden moeten strak vastgezet worden in overeenstemming met de instructies van de fabrikant.

8. De verankeringspunten, frame en structurele onderdelen van de rolstoel mogen niet zonder overleg met de fabrikant worden gewijzigd of vervangen. Dergelijke wijzigingen kunnen de rolstoel van Sunrise Medical ongeschikt maken voor transport in een voertuig.

9. Zowel de heupgordel als de veiligheidsgordel voor het bovenlichaam moet worden gebruikt om de rolstoelgebruiker goed in de rolstoel te laten zitten. Hierdoor wordt het risico verkleind dat hoofd en borst in botsing komen met onderdelen van het voertuig. Tevens wordt risico verkleind dat de rolstoelgebruiker of de andere inzittenden van het voertuig geblesseerd raken. (Fig. B) De bovenlichaamgordel dient bevestigd te worden aan de "B" stang van het voertuig. Indien dit wordt nagelaten, wordt het risico van ernstig (onder)buikletsel van de gebruiker vergroot.

10. Tijdens het transport dient men gebruik te maken van een hoofdsteun die geschikt is voor transport (zie etiket van de hoofdsteun). Deze moet gedurende het hele transport op de juiste wijze zijn aangebracht.

11. Lichaamsondersteunende gordels (zoals heupgordels) mogen niet worden gebruikt als veiligheidsgordel voor een rolstoelgebruiker, tenzij deze voldoen aan de normen zoals gespecificeerd in ISO 7176-19:2001 of SAE J2249.

12. De veiligheid van de rolstoelgebruiker tijdens het transport hangt af van de nauwkeurigheid waarmee de verankeringsbanden worden bevestigd. De persoon/personen die de verankering tot stand brengt/brengen, moet(en) op juiste wijze zijn geïnstrueerd en getraind.

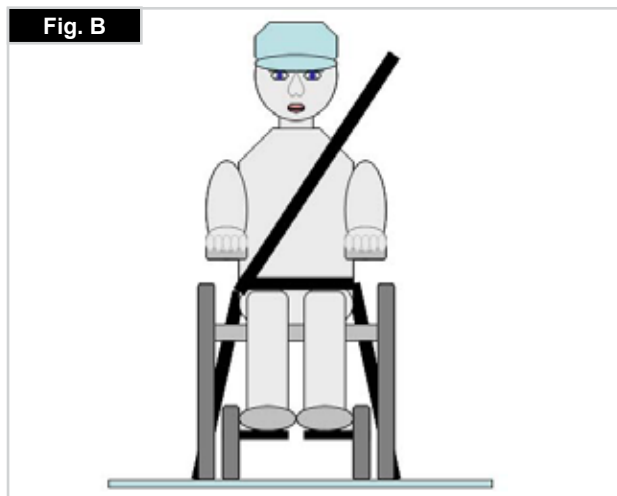
13. Verwijder waar mogelijk hulpmiddelen en accessoires en berg deze veilig op. Hierbij kunt u denken aan: Krukken, losse kussens en werkbladen.

14. Een scharnierende/opgetilde beensteun mag zich niet in opgetilde positie bevinden tijdens transport van de rolstoel en gebruiker wanneer de rolstoel is verankerd met verankeringsbanden en veiligheidsgordels.

15. Een gekantelde rugleuning moet in rechte positie worden gezet.

16. De handremmen moeten goed worden vastgezet.

17. Veiligheidsgordels moeten worden bevestigd aan de "B" stang van het voertuig en mogen niet van het lichaam afgehouden worden door bijvoorbeeld armsteunen of wielen.



INSTRUCTIES VOOR VEILIGHEIDSGORDELS:

1. De heupgordel moet laag worden bevestigd over de voorzijde van de heup, zodanig dat de hoek van de heupgordel zich binnen de horizontale voorkeurszone van 30 tot 75 graden bevindt. Hoe groter de hoek binnen deze begrenzing, hoe beter, maar de hoek mag nooit groter zijn dan 75 graden. (Fig. C)

2. De bovenlichaamsgordel moet over de schouder en diagonaal over de borst worden gedragen, zoals op de afbeelding weergegeven. Fig. D en E

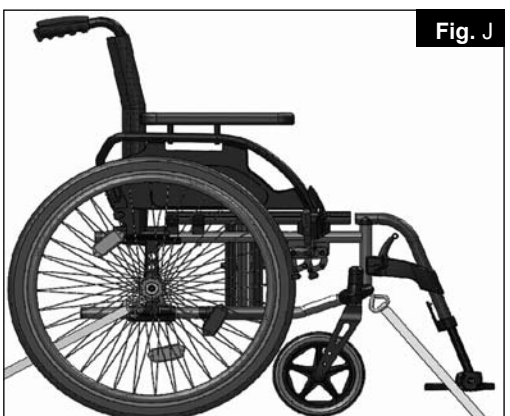
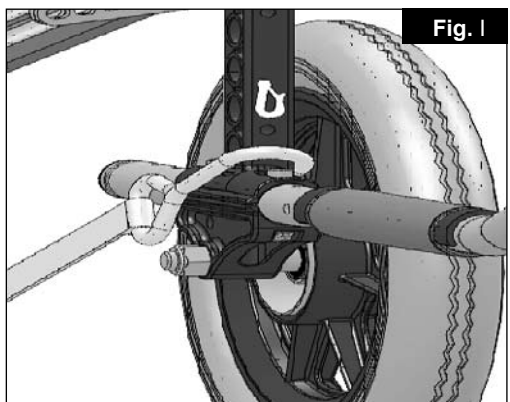
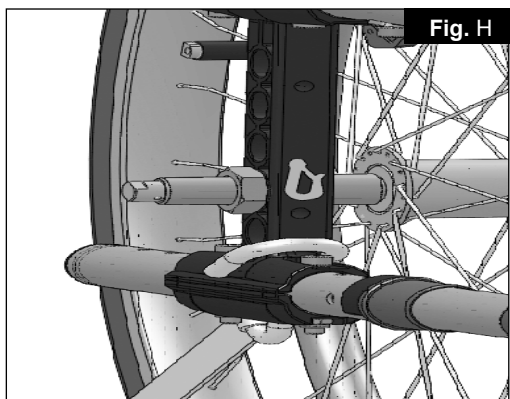
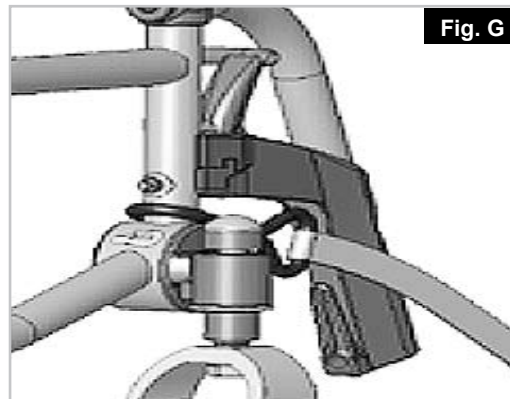
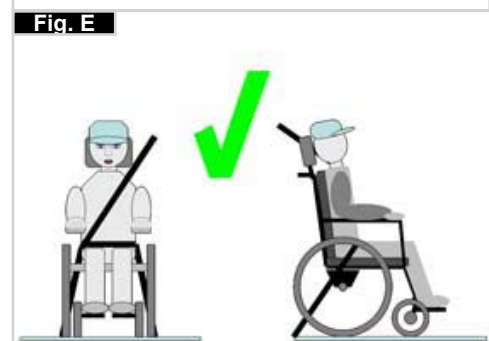
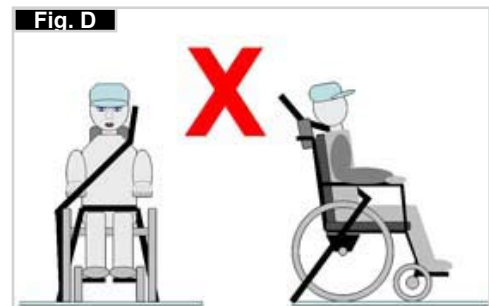
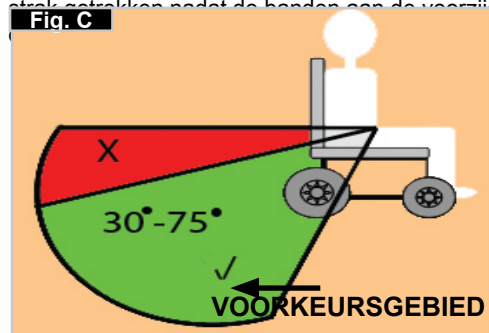
De gordels moeten zo strak mogelijk worden gebruikt, maar moeten altijd comfortabel zijn voor de gebruiker. Veiligheidsnetten mogen niet gedraaid zitten tijdens gebruik. De gordel voor het bovenlichaam moet dwars over de schouder worden bevestigd, zoals getoond in afbeeldingen D en E.

3. De bevestigingspunten van de stoel bevinden zich aan de binnenzijde aan de voorkant van het frame vlak boven het zwenkwiel en aan het frame aan de achterzijde. De banden worden rond het frame aan de zijkanten geplaatst waar de horizontale en verticale buizen van het frame elkaar kruisen. (Zie Fig. G - K)

4. Op het frame van de rolstoel wordt door middel van het symbool voor het verankeringspunt (Fig. F) aangegeven waar de verankeringsbanden geplaatst moeten worden. De banden worden strak getrokken nadat de banden aan de voorzijde zijn aangebracht

DE PLAATSIJNG VAN VERANKERINGSBANDEN OP DE ROLSTOEL:

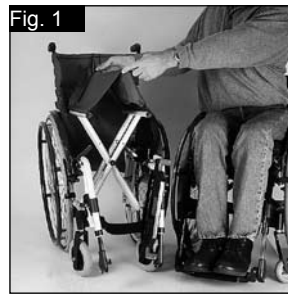
1. De plaats van de afbeeldingen die aangeven waar aan de voor- en achterzijde de spanbanden geplaatst moeten worden (Fig. G-H-I).
2. Positie aan de voorzijde (Fig. G) en achterzijde, (Fig. H-I), van de sticker en het verankeringspunt.
3. Zijaanzicht van verankeringsbanden, (Fig. J).



Handling

INKLAPPEN

Verwijder eerst het zitkussen en de gepolsterde rugleuning van de rolstoel en kantel de voetplaat of de onafhankelijke voetsteunen naar boven. Pak de zitting of de buizen van de rugleuning in het midden en trek hem omhoog. Zo klappt u de rolstoel in. Om uw rolstoel zo klein mogelijk te maken, zodat hij bijvoorbeeld in een auto past, kunt u de voetsteunen verwijderen (afhankelijk van het model). Duw daarvoor de grendel van de voetsteun naar binnen en draai de voetsteun naar buiten. Vervolgens kunt u de voetsteun gewoon uit de ontvangsbuis trekken (Fig. 1).



UITKLAPPEN

Druk op de zittingbuis (zie afbeelding). Uw rolstoel is dan uitgeklapt. Klik de zitbuizen in hun positie in het zadel van de zitting. Dat gaat makkelijker als u de rolstoel wat opzij kantelt. Zo haalt u het gewicht immers weg van één achterwiel en kunt u de rolstoel makkelijker uitklappen. **Zorg ervoor dat uw vingers niet tussen de gekruiste buizen raken.** Breng de stoel en de gepolsterde rugleuning opnieuw aan (Fig. 2).

Quick release assen voor achterwielen De achterwielen zijn uitgerust met quick release assen. Zo kunt u de wielen zonder gereedschap monteren of verwijderen. Om een wiel te verwijderen, drukt u gewoon de quick release knop op de as in (1) en trekt u het wiel weg van de as (Fig. 3).



OPGELET:

Houd de quick release as ingedrukt terwijl u de as in het frame steekt om de achterwielen te monteren. Laat de knop los om het wiel op zijn plaats te vergrendelen. De quick release knop zou weer op zijn oorspronkelijke plaats moeten klikken.

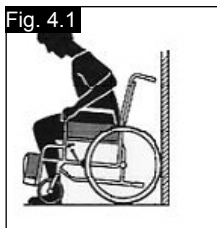
ZONDER HULP IN UW ROLSTOEL GAAN ZITTEN (FIG. 4.0)

- Duw de rolstoel tegen een muur, of een stevig meubel.
- Zorg dat de rolstoel op de rem staat;
- De voetplaten moeten omhoog worden geklapt;
- Nu kunt u zich in de rolstoel laten zakken.
- Duw vervolgens de voetsteunen naar beneden; nu kunt u uw voeten hierop zetten, voor de hielbeugels.



ZONDER HULP UIT UW ROLSTOEL KOMEN (FIG. 4.1)

- Zorg dat de rolstoel op de rem staat;
- De wegklapbare voetplaten moeten worden weggeklapt;
- Steun op de armsteunen, buig enigszins voorover om uw lichaamsgewicht naar de voorzijde van de stoel te brengen. Zet uw beide voeten stevig op de grond, één voet naar achteren en duw uzelf omhoog naar een staande positie.



⚠ WAARSCHUWING!

- Ga bij het opstaan niet op de voetsteunen staan, hierdoor kantelt de rolstoel. Wanneer u wilt plaatsnemen in uw rolstoel, is het gemakkelijker en veiliger wanneer u de voetplaten omhoog klappt of verwijdert. Zo zitten ze u niet in de weg.
- Zet de rolstoel altijd op de rem (wielremmen) bij het in- of uitstappen of overbrengen van de gebruiker.

Opties – Trapdop

TRAPDOP

Begeleiders gebruiken de trapdop om een rolstoel over een obstakel te kantelen. Trap gewoon op de buis om een rolstoel bijvoorbeeld over een stoep of een trede te duwen (Fig. 5).



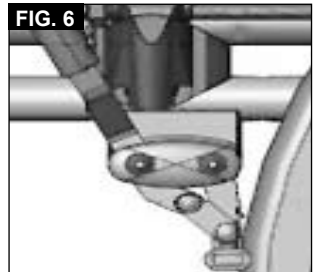
⚠ OPGELET!

Sunrise Medical adviseert nadrukkelijk om een trapdop te gebruiken op modellen met transitwielen. Ook als de rolstoel voornamelijk zal worden voortbewogen door een begeleider, adviseren wij het gebruik van een trapdop. Hierdoor wordt voorkomen dat schade aan de rugbuizen ontstaat doordat hieraan wordt getrokken wanneer de rolstoel over obstakels wordt geduwd.

Opties - Wielvergrendelingen

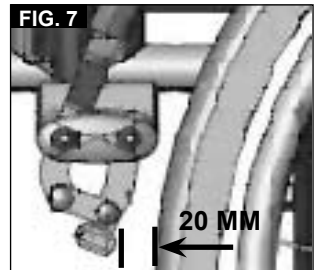
WIELVERGREDELINGEN

Uw rolstoel heeft twee wielvergrendelingen. Ze komen rechtstreeks op de banden terecht. Om de vergrendelingen te gebruiken, drukt u beide vergrendelingshendels naar voren tot tegen de aanslagen. Om de vergrendeling ongedaan te maken, trekt u de hendels weer naar hun oorspronkelijke positie.



Het remvermogen vermindert wanneer:

- het loopvlak van de band versleten is;
- de bandendruk niet voldoende is;
- de banden nat zijn;
- de wielvergrendelingen niet goed afgesteld zijn.



De parkeerremmen zijn niet bedoeld om als rem voor een bewegende rolstoel te dienen. U mag de wielvergrendelingen dan ook niet gebruiken om een bewegende rolstoel te doen remmen. Rem altijd met behulp van de hoepels. Zorg ervoor dat de afstand tussen de banden en de wielvergrendelingen voldoet aan de vermelde specificaties. Om die afstand aan te passen, draait u de schroef los en stelt u de juiste afstand in. Draai vervolgens de schroeven weer aan (Fig. 6-7).

OPGELET!

Telkens wanneer u de achterwielen hebt bijgesteld, moet u nagaan of de afstand tot de wielvergrendelingen in orde is. Pas die indien nodig aan.

Wanneer u de wielvergrendeling te dicht bij het wiel monteert, zal deze moeilijker te hanteren zijn. Hierdoor kan de verlengde hendel breken!

De hendel kan ook breken wanneer u op de verlenging gaat leunen tijdens transfers! Opspattend water en vuil van de banden kan slecht functioneren van de wielvergrendelingen veroorzaken.



TROMMELREMMEN

Trommelremmen helpen een begeleider om veilig en goed te remmen. U kunt die ook gebruiken met behulp van een vergrendelingshendel (1) om te voorkomen dat u wegrolt. U moet de hendel in zijn plaats horen klikken. Trommelremmen werken onafhankelijk van de luchtdruk in de banden. U kunt uw rolstoel niet verplaatsen wanneer de trommelremmen ingeschakeld zijn (Fig. 8).

⚠ OPGELET!

U mag de trommelremmen alleen door erkende dealers laten aanpassen.

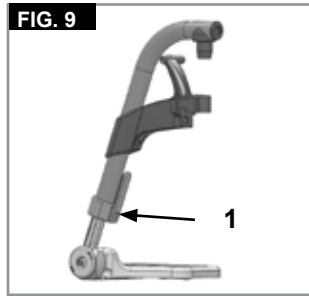
Opties - Voetenplaten

VOETENPLATEN:

De voetplaten kunnen worden opgeklapt om makkelijker in en uit uw rolstoel te komen.

Lengte van het onderbeen:

Voor gebruikers met langere benen, kan de voetsteun tot het juiste niveau worden verlaagd met gebruik van de schroeven (1). Draai de schroeven los, druk de buizen naar de gewenste positie en draai de schroeven daarna opnieuw aan (zie onderdeel over draaimoment).



Er moet altijd 2,5 centimeter ruimte tussen de voetplaten en de grond zijn (Fig. 9).

Hoekinstelbare voetenplank

Deze kan worden aangepast om de hoek met de grond te wijzigen. Draai de schroef los, trek hem naar binnen, stel hem op de gewenste hoek in en druk hem er dan op. Draai na het uitvoeren van de aanpassing, de schroef opnieuw aan.



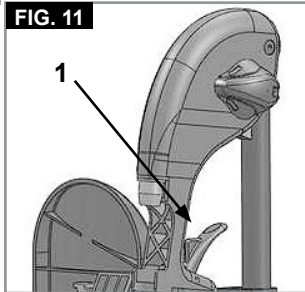
Controleer na aanpassingen altijd of alle schroeven correct zijn aangedraaid (zie ook de pagina betreffende draaikracht/torque). Zorg ervoor dat u de minimale ruimte ten opzichte van de grond houdt (2,5 cm) (Fig. 10).

⚠ OPGELET!

- De voetsteunen mogen niet worden gebruikt om de stoel te tillen of te dragen wanneer de gebruiker in de stoel zit.
- Gebruik de voetplaten niet als u in of uit de rolstoel stapt. Deze moeten voordien omhoog worden gekanteld of de voetsteun moet zover mogelijk naar buiten worden geduwd.

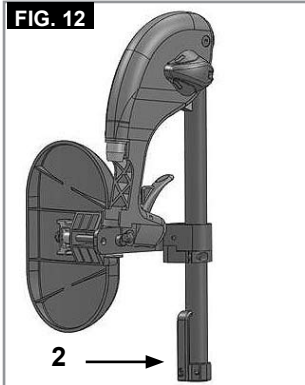
OPTIE LENGTE COMPENSERENDE BEENSTEUN

(Fig. 11-13)
Om de voetplaat te verwijderen, trekt u aan de hendel (1), zwaait u de voetplaat naar buiten en tilt u de beensteun op om deze te verwijderen.



AANPASSING HOOGTE:

De onderbeenlengte is zeer flexibel en kan worden aangepast door de schroef (2) los te maken. Stel de geschikte hoogte in en draai de schroef weer aan.

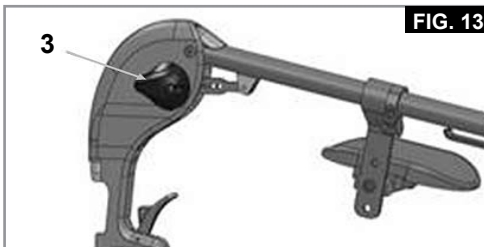


⚠ OPGELET!

De afstand tussen de voetplaat en de grond moet minstens 40 mm zijn.

AANPASSING HOEK:

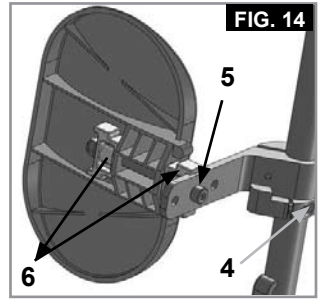
Duw met één hand de hendel (3) naar beneden, terwijl u met de andere hand de beensteun ondersteunt om het gewicht weg te nemen. Wanneer een geschikte hoek is bereikt, laat u de hendel los; de beensteun zal in één van de vooraf ingestelde posities vergrendelen.



AANPASSEN VAN HET KUITKUSSEN

(Fig. 14).
Het kuitkussen kan als volgt worden aangepast:

Hoogte: draai de bout (4) open en verplaats het kuitkussen naar de gewenste positie. Door het kuitkussen te draaien kan ook de hoek worden aangepast.
Diepte: draai de bout (5) open en beweeg het kuitkussen in de gewenste positie.
Breedte: draai de bout (5) open en plaats de ringetjes (6) achter het kussen, om de gewenste positie in te stellen.

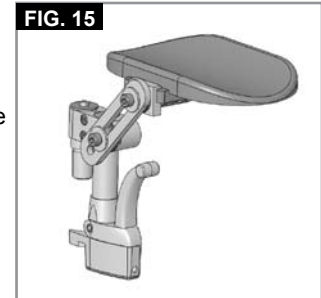


⚠ WAARSCHUWING!

- Houd uw handen weg van het aanpassingsmechanisme tussen het frame en de beweegbare onderdelen van de voetsteun terwijl u de voetsteun verhoogt of verlaagt.
- Controleer altijd of de bevestigingsmaterialen goed vast zitten.
- De voetsteunen mogen niet worden gebruikt om de rolstoel op te tillen of te dragen.
- Vingers kunnen bekneld raken! Als de voetsteunen omhoog of omlaag worden bewogen, mag u uw vingers niet in het aanpassingsmechanisme tussen de bewegende onderdelen van de voetsteun plaatsen.

AMPUTATIEBESCHERMER

(Fig. 15).
De amputatiebeschermer kan in elke richting, naar wens worden aangepast.



Opties - Zwenkwielen

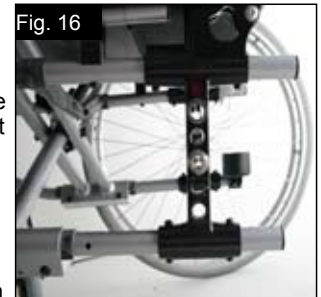
ZWENKWIELEN, BALHOOFDEN, VOORVORKEN

Het kan gebeuren dat de rolstoel iets afwijkt naar links of naar rechts of dat de zwenkwielen wiebelen. Dat kan door de volgende zaken komen:

- De voorwaartse en/of achterwaartse wielbeweging is niet goed ingesteld.
- De camber is niet goed afgesteld.
- De luchtdruk van het zwenkwiel en/of van het achterwiel is niet goed; de wielen draaien niet soepel genoeg.

Opties - Zwenkwieladaptor

De rolstoel beweegt niet in een rechte lijn als de zwenkwielen niet goed zijn aangepast. U moet de voorwielen laten afstellen door een erkend dealer. Telkens als de positie van het achterwiel is gewijzigd, moet de wielvergrendeling worden gecontroleerd.



De zithoogte wordt bepaald door de positie van het achterwiel en het zwenkwiel. De zithoogte kan worden aangepast door de positie van de achterwielen en zwenkwielen te veranderen en door spacers te gebruiken.

⚠ OPGELET!

Nadat de zithoogte is gewijzigd, moeten alle schroeven opnieuw worden aangedraaid en de wielvergrendeling moet opnieuw worden aangepast.

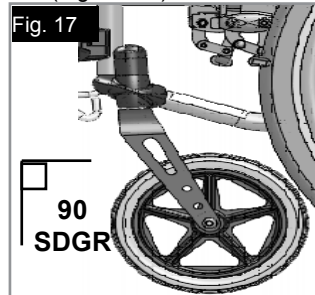
Opties - Zwenkwieladaptor >>>

OPMERKING:

U kunt de hoek van de zwenkwielas wijzigen door de positie van het zwenkwiel/achterwiel te wijzigen. Dit moet altijd ongeveer 90° zijn.

AANPASSEN VAN DE HOEK VAN DE ZWENKWIELAS:

Draai de schroeven (1) los, trek de zwenkwieladaptor naar buiten, stel hem op een hoek van 90° in en draai de schroeven opnieuw aan (Fig. 17-18).



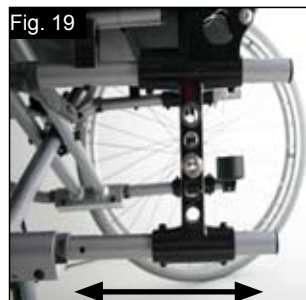
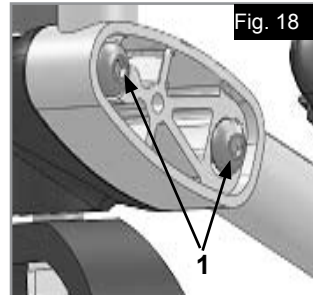
OPGELET!

De hoek van de zwenkwielas moet aan beide kanten hetzelfde zijn (controleer door markering).

HORIZONTALE ASPOSITIE

De asplaat kan naar voren worden aangepast voor beter manoeuvreren of naar achteren voor meer stabiliteit (Fig. 19).

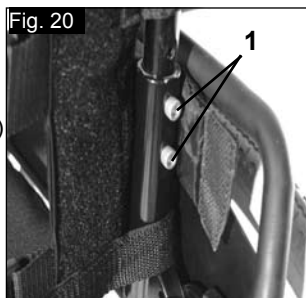
Hoe groter de wielbasis hoe beter u bent beschermd tegen het kantelen van uw rolstoel.



Opties - Rugleuning

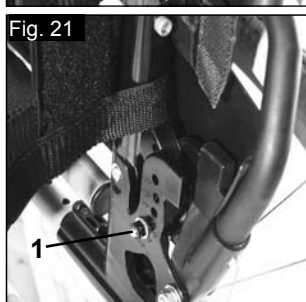
HOOGTEVERSTELBARE RUGLEUNING

De rugleuning kan in 2 of 3 verschillende posities worden bijgesteld (afhankelijk van het model) (41 cm, 43,5 cm en 46 cm). Maak de bouten los (1) en verwijder ze. Duw nu de stang van de rugleuning in de gewenste positie. Draai de bouten weer aan (Fig. 20).



HOEKVERSTELBARE RUGLEUNINGEN

De rugleuning kan in 6 verschillende posities worden ingesteld (-5° naar voor, 0°, 5°, 10°, 15° en 20° naar achter). Om de hoek aan te passen, verwijdert u de schroef (1), stelt u de gewenste hoek in en draait u de schroef opnieuw aan (Fig. 21).



HOEKVERSTELBARE RUGLEUNINGEN (7° - 30°)

Door de 2 hendels (1) gelijktijdig in te drukken, wordt de rugleuning losgemaakt en kan hij op de juiste positie worden ingesteld.

Loslaten van de 2 hendels (1) zal de rugleuning op zijn plaats vastklikken (Fig. 22).



OPGELET!

- Het wordt aanbevolen de rugleuning met verstelbare hoek te gebruiken in combinatie met de wielbasisverlenging.
- Het is aan te bevelen om de hoekverstelbare rugleuning met anti-tip te gebruiken (max. vrije grond ruimte 3-5 cm).
- Het is aan te bevelen om de hoekverstelbare rugleuning in combinatie met een stabilisatiestang te gebruiken.

NEERKLAPPENDE RUGLEUNING

Uitvouwen van de rugleuning: Om de rugleuning omhoog te zetten, duwt u de hendels naar boven en voorwaarts, totdat ze vergrendelen.

WAARSCHUWING!

Houd uw vingers en voorwerpen verwijderd van het vouwmechanisme, om persoonlijk letsel of beschadiging van voorwerpen te voorkomen wanneer de rugleuning wordt in- of uitgevouwen.



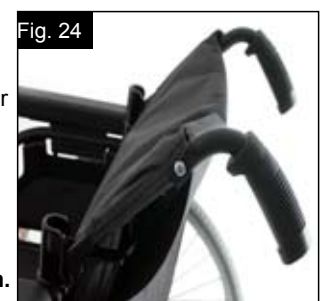
Het vouwen van de rugleuning:

De rugleuning van de rolstoel kan worden opgevouwen, waardoor het opbergen van de stoel gemakkelijker is.

OPGELET!

Doe dit niet terwijl er iemand (of iets) in de rolstoel zit (of ligt). Hierdoor kan een hendel afbreken.

Om de rugleuning op te vouwen, gaat u achter de rolstoel staan, en duwt u op de twee kleine hendels, (Fig. 23 - 24) die zich vlak boven de armleuningen aan weerszijde van de rugleuning bevinden. Vouw de rugleuning naar beneden.



INSELBARE RUGLEUNINGBAND

De instelbare rugleuningband kan op spanning worden aangebracht door het gebruik van diverse banden (Fig. 25).

OPGELET!

Trek de aanspanband niet te strak aan aangezien dit het vouwmechanisme van de rolstoel kan belemmeren.



Opties - Zijkanten

STANDAARD ZIJKANT OPKlapbaar, afneembaar met korte of lange armsteunen

Met de zijkanten met afgeronde voorranden kunt u dicht bij een tafel komen. U klapt de armsteun op door de hendel (1) in te drukken zodat de zijkant vrijkomt (Fig. 26 en 27).



De hoogte van de armsteun (2) kan worden aangepast door de afstandsbeugel in diverse posities aan te brengen. Om dit te doen, draait u de schroeven los, verplaatst u de afstandsbeugel en draait u de schroeven weer vast. De lengte van de armsteun kan worden aangepast door de schroeven (3) los te draaien, vervolgens de armsteun naar de gewenste positie te verplaatsen en de schroeven weer aan te draaien (Fig. 27).



Opties - Zijkanten >>>

⚠ OPGELET!

Noch de arMLEUNINGEN, noch de opvulkussens mogen worden gebruikt om de rolstoel te tillen of te dragen.

⚠ OPGELET!

Let op uw vingers bij het aanpassen van de hoogte van het armkussen.

ZIJKANTEN, OPKLAPBAAR, AFNEEMBAAR MET KORTE OF LANGE ARMSTEUNEN, IN HOOGTE INSTELBAAR

De armsteun kan qua hoogte als volgt worden ingesteld. Druk de hendel naar beneden en beweeg de armsteun naar de gewenste hoogte. Laat de hendel los en druk de armsteun omlaag tot u hem op zijn plaats hoort klikken. Controleer altijd dat de zijkant stevig op zijn plaats zit.



Om de armsteun op te klappen, duwt u de hendel (1) zodat de zijbescherming wordt ontkoppeld.

U kunt de lengte van de armsteun aanpassen door de schroeven (2) los te draaien, de armsteun naar de gewenste positie te duwen en de schroeven opnieuw aan te draaien (Fig. 28).

⚠ OPGELET!

Noch de arMLEUNINGEN, noch de opvulkussens mogen worden gebruikt om de rolstoel te tillen of te dragen.

⚠ OPGELET!

Als u een achterwiel van 24" gebruikt moet de armligger op een hoger niveau worden geplaatst.

IN HOOGTE VERSTELBARE ARMLEUNINGEN, MET EEN STANG BEVESTIGD

Om de hoogte aan te passen, trekt u aan de hendel (1) en duwt u de arMLEUNING naar de gewenste hoogte. Zorg er daarna voor dat de hendel (1) weer op zijn plaats is vergrendeld. Verwijdering van de armsteun wordt op dezelfde wijze uitgevoerd.

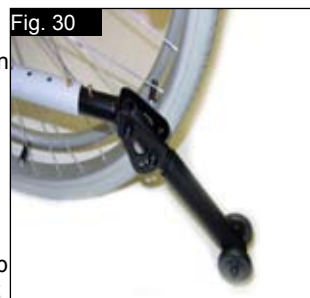


Om de zijkanten volledig te verwijderen, drukt u op de hendel (2). Wanneer de zijkant wordt geïnstalleerd, dient de hendel (2) ook aangetrokken te worden. Controleer altijd of de zijkant op de juiste wijze vergrendeld is. (Fig. 29).

Opties – Anti-tip wielen

ANTI-TIP WIELEN

Anti-tip wielen bieden bijkomende veiligheid voor onervaren gebruikers wanneer deze nog leren hoe de rolstoel te gebruiken. Anti-tip wielen voorkomen dat de rolstoel naar achteren kantelt. De anti-tip buis moet zover in de buis van het frame worden geplaatst dat de eerste van de twee knoppen in het eerste gat in het frame valt (Fig. 30).



⚠ WAARSCHUWING!

Wanneer de anti-tip wielen verkeerd zijn aangebracht, wordt het gevaar op achterwaarts kantelen groter. U moet de anti-tip omhoog klappen wanneer u over grote obstakels, zoals een stoeprand, rijdt. Zo voorkomt u dat ze met de grond in aanraking komen. Daarna kunt u ze in de normale positie terugzetten.

OPMERKING: Duw de anti-tip niet zover in de buis van het frame dat beide knoppen in de buis komen. Hierdoor kan de anti-tip beschadigen en het gewenste effect wordt verkleind. Door op de tweede zichtbare ontgrendelingsknop te drukken, kan de anti-tip omhoog worden gebracht of worden verwijderd. Er moet altijd tussen de 3 cm en 5 cm afstand zijn tot aan de grond. U moet de wielen naar voren zwaaien wanneer u grote hindernissen (bijv. stoep) op- of afrijdt, om aanraking met de grond te vermijden. Draai de anti-tip wielen vervolgens weer naar beneden in de normale positie (Fig. 30).

⚠ WAARSCHUWING!

Wanneer de anti-tip wielen verkeerd zijn aangebracht, wordt het gevaar op achterwaarts kantelen groter.

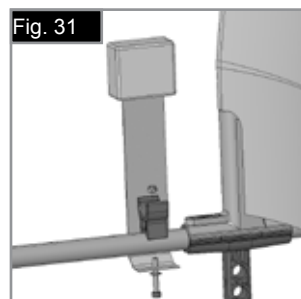
Opties – Heupgordel

⚠ WAARSCHUWING!

Controleer, voordat u uw rolstoel gebruikt, of de heupgordel correct is aangepast en vastgemaakt.

De heupgordel dient aan de rolstoel bevestigd te zijn zoals getoond op de afbeeldingen. De gordel bestaat uit twee delen. Ze worden bevestigd d.m.v. de aanwezige schroef, die door het ringetje van de gordel wordt gestoken. De gordel wordt onder de achterzijde van het zijpaneel geleid. (Fig. 31)

Pas de gordel zodanig aan dat de sluiting zich in het midden van de stoel bevindt. (Fig. 32)



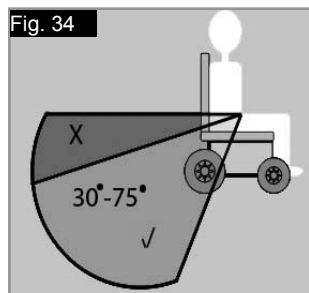
De heupgordel wordt als volgt aangepast aan de wensen van de gebruiker:

Om de lengte van de gordel te vergroten	Om de lengte van de gordel te verkorten	✓
Om de gordel langer te maken, haalt u het niet-gebruikte deel van de gordel door de geleiders en gesp.	Haal vervolgens het niet-gebruikte deel van de gordel door de gesp en geleiders.	Controleer of de gordel niet om de sluiting is gedraaid.

Opties – Heupgordel >>>

Controleer na het vastmaken de ruimte tussen de gordel en de gebruiker. Als men een vlakke hand tussen de gordel en het lichaam van de gebruiker kan steken (niet meer en niet minder), is de gordel correct aangemeten. (Fig. 33)

Over het algemeen moet de heupgordel zodanig bevestigd zijn dat de gordel in een hoek van 45° vastgemaakt kan worden. Als de gordel op de juiste wijze bevestigd is, kan de gebruiker niet in de rolstoel naar beneden glijden. (Fig. 34)



NUTTIGE TIPS

⚠ GEVAAR!

- Gebruik niet alleen de heupgordel tijdens transport van de gebruiker en rolstoel in een voertuig. Gebruik ook de afzonderlijke heupgordel en diagonale veiligheidsgordels die in het voertuig aanwezig zijn.
- Sunrise adviseert om de heupgordel voor gebruik te controleren om er zeker van te zijn dat de gordel op juiste wijze is aangebracht, niet gehinderd wordt, niet versleten is en de sluiting goed gesloten is.
- Wanneer niet wordt gecontroleerd of de heupgordel in goede staat is en correct omgedaan is, kan dit leiden tot ernstig letsel van de rolstoelgebruiker. Een te losse gordel kan er bijvoorbeeld toe leiden dat de rolstoelgebruiker naar beneden glijdt, waarbij gevaar op verstikking ontstaat.

ONDERHOUD:

Controleer de gordel en de bevestigingsmaterialen geregeld op slijtage of beschadiging. Vervang de gordel indien noodzakelijk. Maak de gordel schoon met warm water en zeep en laat hem vervolgens drogen.

⚠ GEVAAR!

De heupgordel moet naar wens van de gebruiker worden aangepast, zoals hierboven wordt getoond. Sunrise Medical adviseert tevens dat de lengte en 'pasvorm' geregeld worden gecontroleerd om te voorkomen dat de rolstoelgebruiker de gordel ongewild heeft aangepast en te lang heeft gemaakt. Indien u vragen of twijfels heeft over het gebruik en de wijze van gebruik van de heupgordel, vraag dan advies aan uw medische begeleider, rolstoeldealer, verzorger of begeleider.

Opties - Zitsysteem

STANDAARD ZITTINGBESPANNING

De spanband heeft een velcrosluiting aan één kant; zo kunt u de spanband traploos aanpassen. Om de spanband te veranderen, moet u de rolstoel opvouwen. Trek dan de doppen van de hoes aan de voorkant voorwaarts uit het frame. U kunt de spanband dan uit het frame schuiven. Als u de Velcro losmaakt, kunt u de spanband opnieuw instellen. Ga omgekeerd te werk om de spanband opnieuw te installeren (Fig. 39)



⚠ OPGELET!

- Om veiligheidsredenen moet ten minste de helft van de Velcro-oppervlakken met elkaar in contact zijn.
- De spanband mag niet te strak worden aangetrokken, aangezien dit het vouwmechanisme van de stoel zou kunnen hinderen.

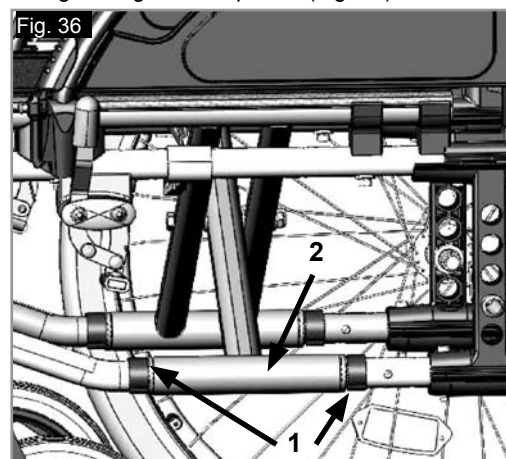
Opties – Zitdiepte

ZITDIEPTE

Door de klemmen (1) te verwijderen, kan het kruisframe (2) langs het frame worden bewogen, waarbij de zittingsdiepte kan worden gewijzigd (afhankelijk van de positie van de rugbalken).

Zorg ervoor dat de klemmen (1) steeds in de voorziene holtes op het frame vastklikken.

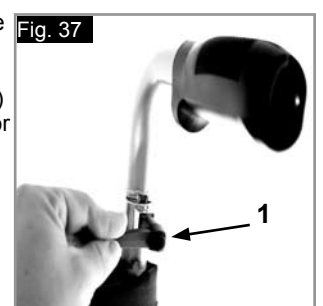
Om het frame zo compact mogelijk te houden kan de zittingsdiepte ook worden bijgesteld via de rugbalk (41 – 46 cm met incrementen van 2,5 cm). Verwijder hiervoor de schroeven (1 en 2) op de beugel van de rugbuis. Verwijder de wielen en de armleuningen en controleer of de dwarsbalk zich in de juiste positie bevindt (glijd de dwarsbalk in de juiste positie zoals hierboven aangetoond, indien nodig). Breng de rugbuizen in de gewenste positie en maak de schroeven weer vast. Beweeg de opening voor de armleuning in de gewenste positie (Fig. 36).



Opties – Duwhandvatten

IN DE HOOGTE VERSTELBARE DUWHANDVATTEN

Die duwhandvatten zijn in hun positie beveiligd door pinnen die voorkomen dat ze per ongeluk wegschuiven. Door het losmaken van de hendel (1) kunt u de duwhandvatten op een voor u geschikte hoogte afstellen. Na hoogte aanpassingen van de duwhandvatten, dient u aan de hendel (1) te trekken tot deze stevig vast zit (Fig. 37).



⚠ OPGELET!

Als de hendel niet stevig vast zit, kan hier letsel uit voortkomen als de rolstoel over obstakels wordt getild.

Opties - Krukkenhouder

KRUKKENHOUDER

Hiermee kunt u krukken meenemen op de rolstoel. De krukkenhouder heeft een velcro lus waarmee u de krukken of andere hulpmiddelen kunt vastmaken (Fig. 38).

⚠ WAARSCHUWING!

Probeer nooit de krukken of andere hulpmiddelen te gebruiken of verwijderen terwijl de rolstoel in beweging is.



Opties - Werkblad

WERKBLAD

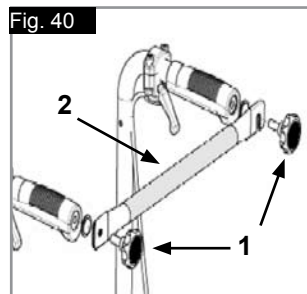
Hiermee kunt u krukken meenemen op de rolstoel. Alvorens u een blad gebruikt, moet een erkende dealer dat aanpassen aan de breedte van de zitting. Tijdens de proefrit moet u in de rolstoel zitten (Fig. 39).



Opties - Stabilisatiestang

STABILISATIESTANG

Draai de stervormige knop (1) los en klap de stabilisatiestang weg (2) voordat u de rolstoel opvouwt. Om de rolstoel weer rijklaar te maken, volgt u de bovenstaande procedure in omgekeerde volgorde.



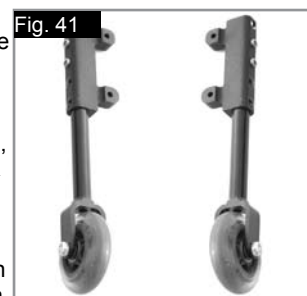
⚠ GEVAAR!

- Controleer voor u de rolstoel gebruikt, of de stabilisatiestang en de stervormige knoppen op de juiste plaats zitten en goed zijn aangedraaid.
- Gebruik de stabilisatiestang nooit op de rolstoel mee op te tillen!

Opties – Transitwielen

TRANSITWIELEN

U kunt **transitwielen** gebruiken wanneer uw rolstoel met zijn gewone achterwielen te breed is (bijv. in vliegtuigen, bussen, enz.). Nadat u de achterwielen met behulp van de quick-release-assen hebt verwijderd, kunt u de **transitwielen** onmiddellijk gebruiken om te blijven rijden. De **transitwielen** zijn zodanig gemonteerd dat ze zich ongeveer 3 centimeter boven de grond bevinden wanneer u ze niet gebruikt. Ze zitten dus niet in de weg wanneer u rijdt, tijdens vervoer of wanneer u de rolstoel kantelt om over hindernissen te rijden (bijv. stoepranden, trappen, enz.). (Fig. 41).



⚠ GEVAAR!

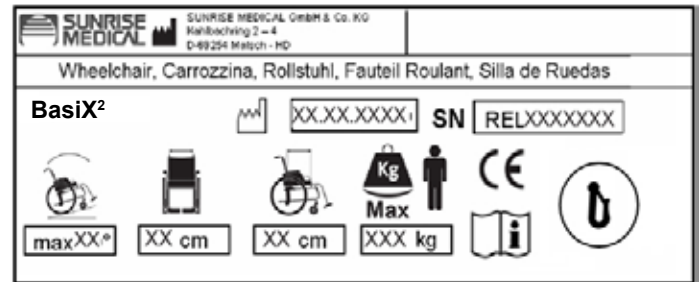
Uw rolstoel heeft geen wielvergrendelingen wanneer u de transitwielen gebruikt.

Sticker

Sticker

De sticker bevindt zich of op het kruisframe, of op de dwarsstang van het frame. Ook vindt u een sticker met gegevens in de gebruikershandleiding. Op de sticker met het serienummer staat ook de precieze naam van het model en andere technische gegevens. Wanneer u vervangingsonderdelen bestelt of een schadeclaim indient, moet u de volgende gegevens vermelden: Ons beleid is erop gericht het ontwerp van onze rolstoelen

VOORBEELD:



BasiX²
XXXXX-XXX

Naam product, SKU nummer



De maximale veiligheidsmarge bij hellingen met anti-tip wielen hangt onder andere af van de instellingen, postuur en fysieke capaciteiten van de gebruiker.



Breedte zitsysteem



Diepte (max.)



Maximale belasting.



CE-keurmerk



Gebruikershandleiding



Crashtest uitgevoerd



Productiedatum



Serienummer.

voortdurend te verbeteren. Hierdoor kunnen productspecificaties enigszins afwijken van de getoonde voorbeelden. Alle gewichten, afmetingen en gegevens betreffende prestaties zijn bij benadering en dienen slechts als richtlijn.

Sunrise Medical voldoet aan de Europese Richtlijn betreffende Medische hulpmiddelen 93/42/EEC



Alle rolstoelen moeten worden gebruikt in overeenstemming met de gebruiksaanwijzing van de fabrikant.

Sunrise Medical GmbH & Co.KG
Kahlbachring 2-4
69254 Malsch/Heidelberg
Germany
Tel.: +49 (0) 7253/980-0
Fax: +49 (0) 7253/980-111
www.sunrisemedical.com

Banden en montage

BANDEN EN MONTAGE

Massieve banden zijn standaard.

Met luchtbanden zorg er altijd voor dat de druk van de banden correct blijft want dat is nodig om de rolstoel goed te laten presteren. Als er niet genoeg druk op de banden staat, zal de rolweerstand toenemen waardoor u een grotere inspanning moet leveren om de rolstoel voort te bewegen; bovendien maakt een lage bandendruk de rolstoel minder wendbaar. Als de bandendruk te groot is, kan de band springen. De juiste druk voor een bepaalde band staat vermeld op het oppervlak van de band zelf (min. 3.5 bar).

De banden zijn op dezelfde manier op de velg aan te brengen als gewone fietsbanden. Alvorens u een nieuwe binnenband oplegt, moet u altijd controleren of er zich geen vreemde voorwerpen bevinden op de basis van de velg en de binnenzijde van de band. Controleer de druk nadat u een band opgelegd of hersteld hebt. Het is voor uw veiligheid en voor de goede werking van uw rolstoel van erg groot belang dat de voorgeschreven luchtdruk altijd gehandhaafd blijft en dat de banden in goede conditie zijn.

Algemeen onderhoud

VEILIGHEIDSCONTROLE:

Als gebruiker bent u de eerste die mogelijke defecten opmerkt. Daarom adviseren we voor ieder gebruik het volgende de controleren:

of de bandenspanning correct is;
of de remmen correct werken;
of alle afneembare onderdelen goed zijn bevestigd (zoals armsteunen, hangers van de voetsteunen, quick release-assen, etc.);
Als er beschadigingen/storingen zijn, neem dan contact op met uw erkende dealer.

ONDERHOUD:

Controleer geregeld de bandenspanning.
Controleer alle banden geregeld op slijtage. (Minstens één maal per jaar.) Verwissel de banden zodra er slijtage zichtbaar is.
Controleer de zit en rugbekleding geregeld op slijtage. (Minstens één maal per jaar.) Verwissel deze onderdelen zodra er slijtage zichtbaar is.
Controleer alle onderdelen van het frame en de rugleuning geregeld op slijtage. (Minstens één maal per jaar.) Verwissel deze onderdelen zodra er slijtage zichtbaar is.
Controleer de remmen geregeld op slijtage. (Minstens één maal per jaar.) Controleer of de remmen naar behoren functioneren en gemakkelijk gebruikt kunnen worden. Verwissel de remmen zodra er slijtage zichtbaar is.
Controleer geregeld, minstens één maal per jaar, alle schroeven en bouten (zie het hoofdstuk over draaikracht). Alle schroeven die een groot belang hebben in verband met de veiligheid van de rolstoel, hebben veiligheidsbouten. U mag borgmoeren maar één keer monteren en u moet ze vervangen na een bepaalde gebruiksperiode.

OPMERKING: Als er instellingen voor de draaikracht worden opgegeven, adviseren we een meetapparaat te gebruiken om de controleren of u schroeven met de juiste draaikracht heeft vastgemaakt.

Gebruik alleen zachte (niet agressieve) schoonmaakproducten om uw rolstoel schoon te maken. Gebruik alleen water en zeep wanneer u de bekleding van de stoel en de heupgordel reinigt. Afhankelijk van de frequentie en de wijze waarop u uw rolstoel gebruikt, adviseren wij dat u uw rolstoel geregeld, maar minstens één maal per jaar, bij uw erkende dealer laat nakijken door opgeleid personeel.



OPGELET!

Zand en zeewater (of zout in de winter) kan de rollagers van de voor- en achterwielen beschadigen. Als uw rolstoel hieraan werd blootgesteld, maak hem dan zorgvuldig schoon en droog.

HYGIËNEMAATREGELEN ALS DE STOEL WORDT GEBRUIKT DOOR NIEUWE GEBRUIKER:

Wanneer de rolstoel door een nieuwe gebruiker in gebruik wordt genomen, moet de rolstoel zorgvuldig schoongemaakt worden, waarbij met desinfecterende spray alle oppervlakten waar de nieuwe gebruiker mee in aanraking komt, worden gereinigd.

Als dit snel moet gebeuren, gebruik dan een vloeibaar desinfecterend middel op basis van alcohol, dat geschikt is voor medische producten en apparaten. Let op de instructies van de fabrikant van de onsmettingsmiddel dat u gebruikt.

Mogelijke problemen

Rolstoel trekt naar één kant

- Controleer bandendruk
- Controleer of het wiel vlot draait (lagers, as)
- Controleer hoeken van zwenkwielen
- Controleer of beide voorwielen de grond goed raken

Voorwielen beginnen te wiebelen

- Controleer hoeken van zwenkwielen
- Controleer of alle bouten vast zitten; draai ze indien nodig vast (zie hoofdstuk over de koppelsleutel)
- Controleer of beide voorwielen de grond goed raken

Rolstoel piept en rammelt.

- Controleer of alle bouten vast zitten; draai ze indien nodig vast (zie hoofdstuk over de koppelsleutel)
- Breng een beetje smeerolie aan op plaatsen waar beweegbare delen met elkaar in contact komen

Rolstoel begint te wiebelen

- Controleer hoek waarin voorwielen ingesteld zijn
- Controleer bandendruk
- Controleer of achterwielen verschillend ingesteld zijn

Afvalverwerking / recycling van materialen

OPMERKING: Wanneer u de rolstoel gratis heeft ontvangen, is deze mogelijk niet uw eigendom. Wanneer u de rolstoel niet langer nodig hebt, volg dan de instructies op van de organisatie van wie u de rolstoel hebt ontvangen. De organisatie wil de rolstoel vermoedelijk terug hebben.

De onderstaande informatie heeft betrekking op de in de rolstoel en verpakking gebruikte materialen, voor wat betreft de afvalverwerking of recycling van de rolstoel en het verpakkingsmateriaal. Er kan specifieke wetgeving bestaan in uw land of woonplaats; neem deze wet- of regelgeving in overweging, wanneer u de rolstoel naar de afvalverwerking wilt brengen. (Dit kan inhouden dat u de stoel voor verwijdering naar de afvalverwerking moet schoonmaken en ontsmetten).

Aluminium: Vorken van zwenkwielen, wielen, frame zijkant, armsteunen, frame, beensteunen, duwhendels.

Staal: Bevestigingen, quick release as

Plastic: Handgrepen, dopjes van buizen, zwenkwielen, voetplaten, armsteunen en 12" wiel/band

Verpakking: Lage dichtheid polytheen zak, kartonnen doos.

Bekleding: Geweven polyester met PVC coating en geëxpandeerd gevormd schuim.

Afvalverwerking of recycling dient plaats te vinden via een erkende agent, afvalverwerking met vergunningen. Als alternatief kunt u uw rolstoel ook terugbrengen naar uw dealer voor verdere afvalverwerking.



Technische gegevens

Totale breedte:

Met standaard wielen, incl. hoepels, montage smal:

BZ +19 cm

Met trommelremmen, incl. hoepels, montage smal:

BZ +21 cm

Totale breedte wanneer ingeklapt:

Met standaard wielen = 30 cm

Zonder standaard wielen = 24 cm

Maximaal gebruikersgewicht:

tot een gebruikersgewicht van 125 kg

Gewicht in kg:

Vervoer (zonder voetensteun, wielen, zijkanten) 8,4 kg

Voetsteun (eenheid): 0,8 kg

Standaard zijkant (eenheid): 0,8 kg

24" achterwielen (massief) (paar): 3,8 kg

MAXIMAAL GEBRUIKERSGEWICHT: 125 KG

ZIE OOK BLADZIJDE 5

Overeenkomstig EN12183: 2009 zijn alle hier opgenoemde onderdelen (zitting, bekleding rugleuning, armkussen, zijbescherming, ...) vuurresistent zoals omschreven in EN1021-2.

De werking van de Dynamic beveiliging hangt af van de instellingen van de stoel, de capaciteiten van de gebruiker en de rijstijl. Omdat Sunrise Medical vooraf niet kan voorzien hoe de capaciteiten en rijstijl van de gebruiker is, kan de maximale veilig te nemen helling niet worden bepaald. Daarom moet dit door de gebruiker worden bepaald, samen met

een begeleider, die kan voorkomen dat de rolstoel kantelt. Sunrise Medical adviseert onervaren gebruikers anti-tip wielen te laten installeren.

De rolstoel voldoet aan de volgende vereisten:

a) Vereisten en testmethodes voor statische krachten, botskrachten en materiaalmoetheid (ISO 7176-8)

b) Vereisten voor weerstand bij starten in overeenstemming met ISO 7176-16 (EN 1021-1)

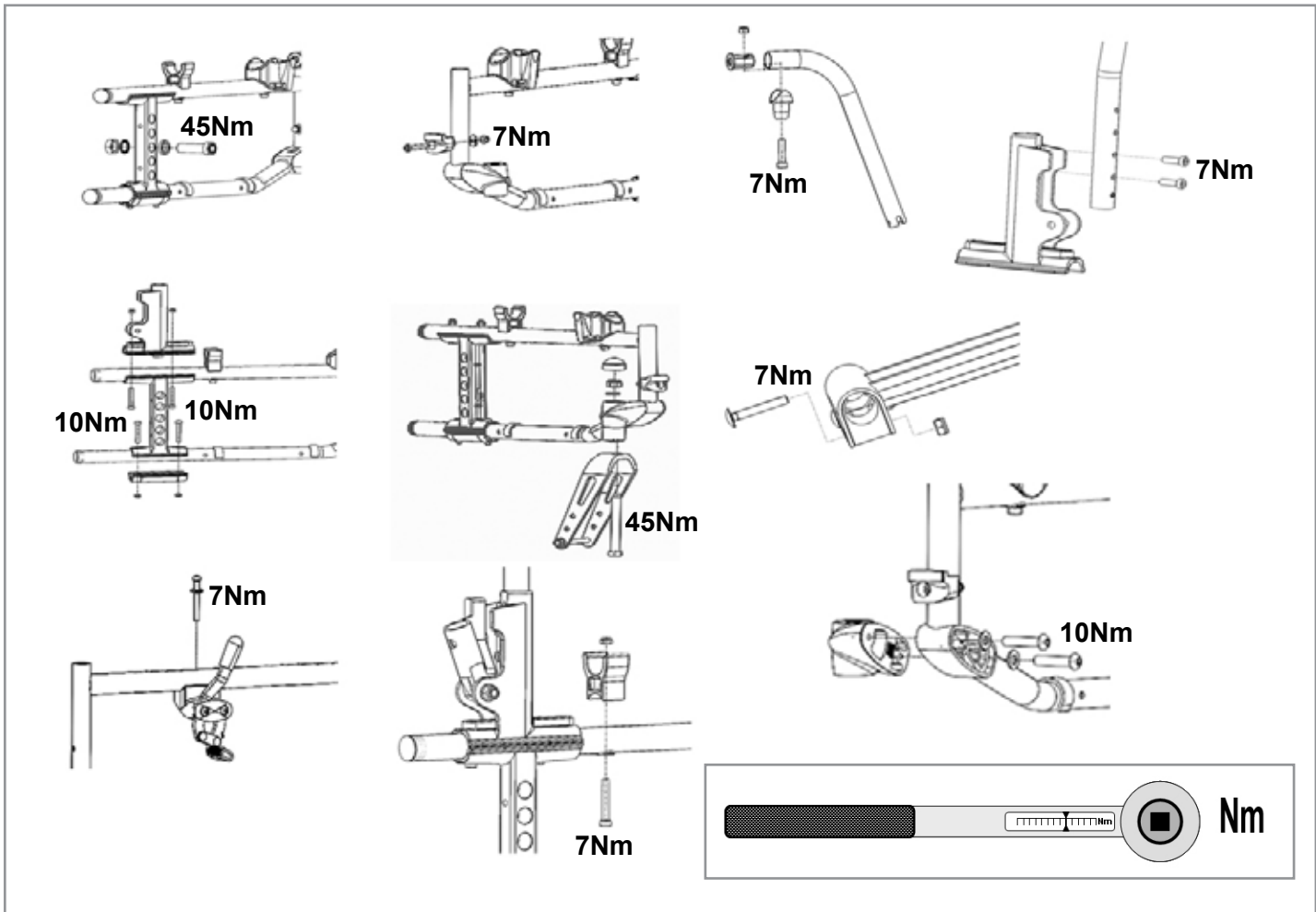
NEDERLANDS

Aanpassing zithoogte

425 mm	8"	1A	
450 mm	8"	2A	1B
480 mm	8"	3A	2B
505 mm	8"		3B
425 mm	6"	2A	1B
450 mm	6"	3A	2B
480 mm	6"		3B

400 mm	24"		1
425 mm	24"		2
450 mm	24"	12"	3
475 mm	24"		4
500 mm	24"		5

Koppel



TENZIJ ANDERS IS AANGEGEVEN, IS DE DRAAIKRACHT (TORQUE) VOOR DE M6 SCHROEVEN 7 NM.

Introducción

Estimado cliente,

Nos alegra que se haya decidido por una silla de ruedas de SUNRISE MEDICAL.

Este manual de instrucciones le proporcionará soluciones e ideas para que pueda obtener el mejor rendimiento de su nueva silla de ruedas.

Queremos que se sienta satisfecho con nuestros productos y nuestro servicio. Por esta razón pueden darse cambios en nuestros productos en formas, tecnologías, o equipamiento. Por esta razón pueden producirse cambios en la forma, tecnología o equipamientos de nuestros productos. Por consiguiente, no se aceptarán reclamaciones por la información o las imágenes recogidas en este manual.

El sistema de gestión de SUNRISE MEDICAL cuenta con las certificaciones ISO 9001, ISO 13485 y ISO 14001.



Como fabricante, SUNRISE MEDICAL, declara que sus sillas de ruedas siguen la directriz 93/42/EEC, enmendada por la normativa 2007/47/EC.

Asimismo, cumplen con los requisitos de rendimiento de la prueba "Crash Test", según lo describe la norma ISO 7176-19

Comuníquese con su distribuidor local autorizado de SUNRISE MEDICAL si tiene alguna pregunta acerca del uso, mantenimiento o seguridad de su silla de ruedas.

En caso de que no hubiese un distribuidor autorizado en su región, o si tuviese alguna duda, puede comunicarse con Sunrise Medical por escrito o por teléfono (la información de contacto se encuentra en la última página de este manual):

Sunrise Medical S.L.
 Poligono Bakiola, 41,
 48498 Arrankudiaga - Vizcaya
 España
 Tel.: +34 (0) 902142434
 www.sunrisemedical.com

Por favor, anote en el espacio siguiente la dirección y el número de teléfono del agente local de mantenimiento/repación. En caso de avería, contacte con el agente local e intente proporcionarle toda la información pertinente de forma que le puedan ayudar lo antes posible.



IMPORTANTE:
 NO UTILICE ESTA SILLA DE RUEDAS HASTA
 HABER LEÍDO Y COMPRENDIDO ESTE MANUAL.

Explicación de símbolos



¡PELIGRO!
 Mensajes de advertencia sobre posibles riesgos de accidentes graves o muerte.



¡ADVERTENCIA!
 Mensajes de advertencia sobre posibles riesgos de lesiones.



¡PRECAUCION!
 Mensajes de advertencia sobre posible daño técnico.

NOTA:
 Información para el funcionamiento del producto.

Índice

Introducción	62
Explicación de símbolos	62
Índice	62
Uso	62
Área de aplicación	62
Instrucciones generales de seguridad y restricciones de conducción	63
Garantía	64
Transporte	65
Utilización	67
Opciones - Tubos de cola	67
Opciones - Frenos	67
Opciones - Plataformas de reposapiés	68
Opciones - Ruedas delanteras	68
Opciones - Rueda delantera - Adaptador	68
Opciones - Respaldo	69
Opciones - Reposabrazos	69
Opciones - Ruedas anti-vuelco	70
Opciones - Cinturón de seguridad	70
Opciones - Asiento	71
Opciones - Profundidad del Asiento	71
Opciones - Empuñaduras	71
Opciones - Soporte de bastones	72
Opciones - Mesa	72
Opciones - Barra rigidizadora	72
Opciones - Ruedas de tránsito	72
Placa de Identificación	72
Cubiertas y montaje	73
Mantenimiento y cuidado	73
Posibles problemas	73
Deshecho / reciclaje de los materiales	73
Datos técnicos	74
Jgo. de ajuste de altura de asiento	74
Torsión	75

Uso

Las sillas de ruedas ligeras están diseñadas exclusivamente para la utilización personal de un usuario incapaz de caminar o con movilidad reducida. Así mismo, están diseñadas para uso en interiores y en exteriores, siempre que el terreno sea firme, nivelado, parejo y se encuentre seco (desplazamiento autopropulsado o mediante asistente).

El límite de peso máximo (que incluye el peso del usuario más el peso de cualquier otro accesorio instalado en la silla de ruedas) está indicado en la etiqueta con el número de serie, ubicada en el tubo de la cruceta o barra estabilizadora, debajo del asiento. El producto debe ser utilizado bajo las condiciones especificadas y con los fines indicados; de lo contrario, la garantía quedará anulada. La vida útil estimada de una silla de ruedas es de 5 años. NO utilice ni instale en la silla de ruedas componentes fabricados por terceros a menos que hayan sido aprobados de manera oficial por Sunrise Medical.

Área de aplicación

La variedad de opciones disponibles así como el diseño modular de la silla permiten que ésta puede ser usada por personas que no pueden caminar o con movilidad reducida debido a:

- Parálisis
 - Pérdida de extremidades (amputación)
 - Defecto o deformidad en extremidades
 - Contracturas o lesiones en articulaciones
 - Enfermedades tales como deficiencia circulatoria o cardíaca, alteración de equilibrio o caquexia, o ancianos que todavía conservan fuerza en la parte superior del cuerpo.
- Al solicitar una silla de ruedas, tenga en cuenta el tamaño corporal, peso, constitución física y fisiológica, edad, condiciones de vida y entorno del usuario.

Instrucciones generales de seguridad y restricciones de conducción

El diseño y construcción de esta silla de ruedas han sido realizados de forma que se garantice la máxima seguridad. Se ha cumplido con las normativas internacionales de seguridad actualmente en vigor.

Sin embargo, los usuarios pueden ponerse a sí mismos en peligro si las sillas de ruedas son utilizadas de forma inapropiada. Por su propia seguridad, siga estrictamente las siguientes recomendaciones:

La adaptación o ajuste no profesional o inapropiado puede aumentar el riesgo de accidente. Como usuario de silla de ruedas, usted forma parte del tránsito diario en las calles y aceras, igual que cualquier otra persona. Por lo que le recordamos que usted debe también cumplir con las normas de tránsito.

Tenga cuidado cuando utilice la silla de ruedas por primera vez. Conozca todos sus mandos y funciones.

Antes de cada uso, debe comprobar lo siguiente:

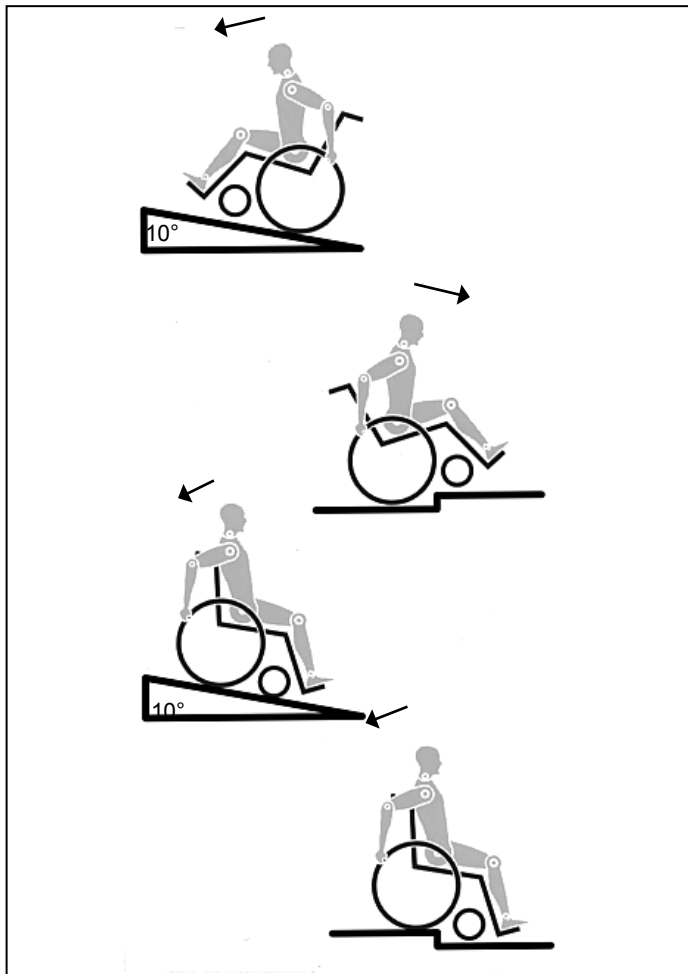
- Ejes fijos o ejes de desmontaje rápido para ruedas traseras.
- Velcro de asientos y respaldos
- Cubiertas, presión de las cubiertas y frenos de las ruedas.

Antes de cambiar cualquiera de los ajustes de esta silla de ruedas, es importante que lea la sección correspondiente del manual del usuario.

Es posible que si existen baches, o el suelo no es uniforme la silla vuelque, especialmente cuando se desplaza cuesta arriba o cuesta abajo. Cuando sube un escalón o sube por una pendiente, el cuerpo debe ir inclinado hacia delante.

⚠ ¡PELIGRO!

- NUNCA exceda la carga máxima de 125 kg; esto incluye el peso del usuario más cualquier otro objeto que se lleve en la silla de ruedas. Si se excede la carga máxima, el rendimiento de la silla de ruedas se verá afectado, o bien podría provocarse una caída, vuelco o pérdida del control y ocasionar lesiones severas en el usuario u otra persona.
- Si conduce en la oscuridad, utilice ropa de colores claros o que contenga reflectores, para ser visto más fácilmente. Compruebe que los reflectores laterales y traseros de la silla de ruedas se vean claramente.
- Recomendamos también que haga instalar una luz activa.



⚠ ¡PELIGRO!

- A fin de evitar caídas y situaciones peligrosas, se aconseja comenzar a utilizar su nueva silla de ruedas en una superficie llana con condiciones de buena visibilidad.
- Al subir o bajar de la silla de ruedas, no utilice las plataformas reposapiés.
- Antes deben girarse hacia arriba y abrirse hacia afuera al máximo ángulo posible. Siempre ubíquese en el lugar más cercano posible al que desea trasladarse.
- Solo utilice su silla de ruedas con precaución. Por ejemplo, evite sortear un obstáculo sin antes frenar (escalones, bordillos) o pasar por encima de un bache.
- Los sistemas de bloqueo de las ruedas no tienen como fin ser utilizados como freno de su silla de ruedas en movimiento. Solamente han sido instalados para asegurar que su silla de ruedas no empiece a rodar de forma imprevista. Cuando se para sobre una superficie no uniforme, debe utilizar siempre los frenos de las ruedas para evitar movimientos involuntarios. Accione siempre los dos frenos, ya que de lo contrario su silla podría volcar.
- Explore los efectos del cambio del centro de gravedad en el comportamiento de la silla de ruedas; por ejemplo, en pendientes, cuestas, todo tipo de gradientes o al sortear obstáculos. Realice estas pruebas si cuenta con la seguridad de un asistente.
- Si se utilizan los puntos extremos de fijación (por ejemplo, las ruedas traseras en la posición más adelantada) y la postura no es la adecuada, la silla de ruedas podría volcar, incluso hasta sobre una superficie llana.
- Incline la parte superior de su cuerpo hacia delante al subir pendientes y escalones.
- Incline la parte superior de su cuerpo hacia atrás al bajar pendientes y escalones. Nunca intente subir o bajar una pendiente si usted se encuentra ubicado de manera diagonal.
- Evite el uso de escaleras mecánicas, ya que podrían producir graves lesiones en caso de que el usuario se caiga de la silla o scooter.
- No utilice la silla de ruedas en pendientes superiores a 10°. El tomar una pendiente de forma dinámica y segura depende de la configuración de la silla, de la habilidad de conducción del usuario y del estilo de montaje. Debido a que la habilidad de conducción y el estilo de montaje del usuario no son factores predeterminados, la pendiente segura máxima no puede determinarse tampoco. Por lo tanto, el usuario y un asistente deberán determinar estos factores a fin de evitar vuelcos inadvertidos. Recomendamos encarecidamente la instalación de ruedas anti-vuelco en sillas de usuarios con poca experiencia.
- Es posible que si existen baches, o el suelo no es uniforme la silla vuelque, especialmente cuando se desplaza cuesta arriba o cuesta abajo.
- No utilice la silla de ruedas en terrenos cubiertos de barro o de hielo.
- No utilice la silla de ruedas en sitios donde no están permitidos los peatones.
- Para evitar lesiones en las manos, no sujete por entre los radios o entre la rueda trasera y el sistema de bloqueo cuando conduce la silla.
- Cuando utilice aros de empuje de metal ligero, tenga en cuenta que la temperatura de los dedos puede subir al frenar de una velocidad alta o en pendientes largas.
- Solo intente subir o bajar escaleras con la ayuda de un asistente. Si hay equipamiento disponible para tales fines; por ejemplo, rampas o ascensores, por favor úselos. Si, en cambio, no cuenta con tal equipamiento, se precisarán dos asistentes para inclinar y empujar la silla, que nunca debe ser cargada. Recomendamos no trasladar de este modo a usuarios con peso superior a 100 Kg. En general, los tubos antivuelco deben acomodarse de antemano para evitar el contacto con los escalones; de lo contrario, podría ocasionarse una caída grave. Inmediatamente después, los tubos de las ruedas antivuelco deben volver a colocarse en su posición correcta.
- Asegúrese de que el asistente solo sostiene la silla de ruedas por piezas montadas de manera segura. No de las piezas desmontables, como los reposapiés o los protectores laterales).

¡PELIGRO!

- Al hacer uso de la rampa de elevación, compruebe que las ruedas antivuelco instaladas estén en una posición alejada del área de peligro.
- Asegure la silla utilizando los frenos cuando conduzca por una superficie irregular o cuando realice transferencias (por ejemplo, hacia un auto).
- Si se realiza un trayecto en un vehículo adaptado, los ocupantes del vehículo deben utilizar, en la medida de lo posible, los asientos del vehículo y el sistema de sujeción apropiado. Esta es la única manera de garantizar la máxima protección de los usuarios en caso de accidente.
- Dependiendo del diámetro y la instalación de las ruedas delanteras pivotantes, como también del centro de gravedad de la silla, las ruedas delanteras pueden oscilar a velocidades altas. Si esto ocurre, las ruedas delanteras podrían bloquearse y, como resultado, la silla podría volcar. Por lo tanto, asegúrese de que las ruedas delanteras estén ajustadas correctamente (consulte la sección "Ruedas delanteras").
- Especialmente, no conduzca sin frenos en una pendiente; viaje a una velocidad reducida. Recomendamos el uso de ruedas antivuelco para los usuarios sin experiencia.
- El único propósito de las ruedas antivuelco es evitar que la silla vuelque hacia atrás involuntariamente. No están para reemplazar a las ruedas de tránsito ni ser utilizadas para transportar una persona en una silla de ruedas que no tenga las ruedas traseras instaladas.
- Si desea alcanzar un objeto (que se encuentre enfrente, de lado o detrás de la silla de ruedas) no se incline demasiado ni se aleje del respaldo, ya que si modifica el centro de gravedad, corre el riesgo de desestabilizarse o resbalarse y caer. Si cuelga cargas adicionales (mochilas o elementos similares) sobre los postes del respaldo de la silla, la estabilidad trasera se verá afectada, en especial cuando se cuenta con respaldos reclinables. En este caso, la silla podría volcar hacia atrás y causar lesiones.
- Los usuarios con amputación a nivel de los muslos deben utilizar ruedas antivuelco.
- Antes de conducir su silla, compruebe que la presión de los neumáticos sea la correcta. Para las ruedas traseras, debe ser de 3,5 bar (350 kPa), como mínimo. La presión máxima está indicada en el neumático. Los frenos de rodilla solo funcionarán si hay suficiente presión en los neumáticos y si se ha establecido la configuración correcta (consulte la sección de Frenos).
- Si las tapicerías del respaldo y el asiento presentan daños, debe reemplazarlas de inmediato.
- Evite el contacto con el fuego, en especial con cigarrillos encendidos. Las tapicerías del asiento y respaldo podrían prenderse fuego.
- Si se somete a la silla a una fuente directa de luz solar o temperaturas bajo cero durante un periodo largo de tiempo, las piezas de la silla de ruedas (armazón, reposapiés, frenos y protectores laterales) pueden subir de temperatura (>41°C) o bajar de temperatura (<0°C).
- Siempre compruebe que, de estar instalados, los ejes de desmontaje rápido de las ruedas traseras estén correctamente instalados y fijos en posición (los cojinetes de bloqueo se ven perfectamente a través del casquillo del eje). Si el botón del eje de desmontaje rápido no está pulsado, la rueda trasera no podrá extraerse.

¡PRECAUCION!

- El rendimiento de los frenos de rodilla y las características generales de conducción dependen esencialmente de la presión de los neumáticos. La silla de ruedas resulta mucho más ligera y fácil de maniobrar cuando las ruedas traseras están hinchadas correctamente y ambas ruedas tienen la misma presión.
- Compruebe que las cubiertas de las ruedas tengan suficiente profundidad en los ribetes.
- Tenga en cuenta que, como usuario de la silla de ruedas, está sujeto a todas y cada una de las leyes de tránsito cuando conduce en lugares públicos.
- Al manipular o ajustar la silla de ruedas, proceda con precaución.
- Solo personal autorizado deberá llevar a cabo los ajustes

que requieren herramientas.

- Limpie la silla de ruedas con regularidad para prevenir la oxidación y la corrosión por la sal.
- Verifique los remaches, tuercas y tornillos para asegurarse de que estén correctamente ajustados y que ninguna pieza de la silla de ruedas se aflojará.

¡PRECAUCION!

- Todas las piezas móviles acarrearán el riesgo natural de atrapamiento de los dedos. Manéjense con especial cuidado.
- Es posible que los productos mostrados y descritos en este manual no sean exactamente iguales, hasta el último detalle, al modelo que usted posee. No obstante, todas las instrucciones aquí proporcionadas pueden aplicarse perfectamente más allá de las diferencias en los detalles.
- El fabricante se reserva el derecho de modificar, sin previo aviso, los pesos, medidas y otros datos técnicos descritos en este manual. Todas las figuras, medidas y capacidades aquí mostradas son aproximadas y no constituyen especificaciones.

Vida útil

La vida útil estimada de este producto es de 5 años, siempre y cuando:

- se utilice de acuerdo con el uso para el que la silla está destinada.
- se cumplan con los procedimientos de comprobaciones y mantenimiento.

Garantía

GARANTÍA

ESTO NO AFECTARÁ DE FORMA ALGUNA SUS DERECHOS LEGALES.

Condiciones de la garantía

- 1) La reparación o sustitución será efectuada por un Distribuidor o Servicio de Mantenimiento de Sunrise Medical.
- 2) Para aplicar las condiciones de garantía en el caso de que su producto exija atención según este procedimiento, notifíquelo inmediatamente al Distribuidor de Sunrise Medical proporcionándole información completa sobre la naturaleza de la dificultad. Si está utilizando su scooter fuera de la localidad en la que se encuentra el Distribuidor designado por Sunrise Medical, los trabajos a realizar bajo las "Condiciones de Garantía" serán efectuados por otro servicio de mantenimiento designado por el fabricante.
- 3) Si algún componente de este producto necesita ser reparado o reemplazado a consecuencia de un determinado defecto de fabricación o en los materiales que se observe dentro de los primeros 24 meses (5 años para el armazón y la cruceta) a contar a partir de la fecha en la que el comprador original adquirió la silla de ruedas, y siempre que la misma siga siendo propiedad de dicho comprador original, el componente o componentes serán reparados o reemplazados, sin coste alguno para el propietario, por el agente de mantenimiento/repación autorizado por Sunrise Medical.

NOTA: esta garantía no es transferible.

- 4) Cualquier parte reparada o reemplazada se beneficiará con este acuerdo por el período restante de la garantía correspondiente a la silla de ruedas.
- 5) Las piezas sustituidas después de haber expirado el plazo de garantía original tendrán una garantía de 12 meses.
- 6) Los elementos de naturaleza fungible no estarán generalmente cubiertos por esta garantía a no ser que dichos elementos hayan sufrido un desgaste indebido debido directamente a un defecto de fabricación original. Entre estos elementos se cuentan la tapicería, los neumáticos, los tubos interiores y piezas similares.
- 7) Las condiciones de garantía anteriores se aplican a todas las piezas del producto, para modelos comprados al precio de venta al público.
- 8) En circunstancias normales, no se aceptará responsabilidad alguna cuando el producto haya sido reparado o haya sido necesario sustituir piezas debido a:
 - a) Que el producto o pieza no han sido mantenidos o reparados de acuerdo con las recomendaciones del fabricante, según lo estipulado en el Manual del usuario y/o el Manual de mantenimiento. Cuando no se han utilizado sólo piezas originales específicas.

- b) Que el producto o sus partes han sido dañadas por negligencia, accidente o uso inapropiado.
- c) Que se ha alterado el producto o alguno de sus componentes respecto a las especificaciones del fabricante, o se han efectuado o intentado efectuar reparaciones antes de notificar del problema o problemas al distribuidor autorizado.
- d) Que el producto presenta corrosión a causa de un mantenimiento incorrecto

Transporte

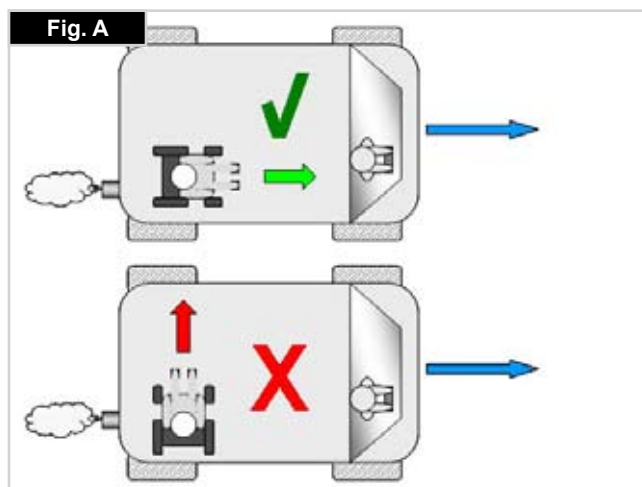
⚠ ¡PELIGRO!

Existe un alto riesgo de producirse lesiones graves e incluso la muerte si no se toman en cuenta estos consejos.

Transporte de la silla de ruedas en un vehículo

Una silla de ruedas sujeta en un vehículo nunca proporciona el mismo nivel de seguridad que el sistema de asiento propio del vehículo. Siempre es recomendable que, en la medida de lo posible, el usuario se transfiera al asiento del vehículo. Reconocemos, en cambio, que no siempre es práctico para el usuario ser transferido y, en esas circunstancias en las que el usuario debe ser transportado en la propia silla de ruedas, se deberían seguir los siguientes consejos:

1. Confirme que el vehículo esté correctamente equipado para transportar un pasajero en silla de ruedas y verifique que tenga el método de acceso/egreso adecuado para su modelo de silla. El vehículo debe tener la resistencia suficiente en el piso como para mantener el peso combinado del usuario, la silla y los accesorios.
2. Se debe contar con suficiente espacio disponible alrededor de la silla de ruedas para poder amarrar, ajustar y soltar las correas de sujeción y los cinturones de seguridad de la silla y del ocupante.
3. La silla de ruedas ocupada debe acomodarse en posición hacia el frente y debe asegurarse mediante los puntos de sujeción de la misma más los cinturones de seguridad del ocupante (sistema de sujeción de seguridad en vehículos de transporte, WTORS, que cumpla con las normas ISO 10542 o SAE J2249) según las instrucciones sobre WTORS del fabricante.
4. El uso de la silla de ruedas en otras posiciones dentro del vehículo no ha sido evaluado; por lo tanto, no debe transportarse la silla mirando hacia un lado bajo ninguna circunstancia (Fig. A).
5. La silla de ruedas deberá estar sujeta por un sistema de Retención, conforme a las normas ISO 10542 o SAE J2249, con correas anteriores no ajustables y correas posteriores ajustables, que utilicen generalmente mosquetones, ganchos en S y sistema de acoplamiento de lengüeta y hebilla. Estos anclajes generalmente constan de cuatro correas individuales acopladas a cada esquina de la silla.
6. Los cinturones de seguridad deberán estar instalados en el armazón principal de la silla de ruedas, tal como se indica en el diagrama de la página siguiente, y no en los accesorios, como los rayos de las ruedas, frenos o reposapiés.



7. Las correas de sujeción de seguridad deberán estar sujetadas lo más cerca posible a un ángulo de 45° y estar firmemente ajustadas de acuerdo con las instrucciones del fabricante del sistema de sujeción.

8. No se deben llevar a cabo alteraciones ni sustituciones en los puntos de sujeción de la silla de ruedas ni en el armazón, estructura o demás componentes sin antes consultar con el fabricante. De lo contrario, la silla de ruedas Sunrise Medical no podrá ser transportada en un vehículo.

9. Los cinturones de sujeción pélvico y troncal deben utilizarse para sujetar al ocupante, reducir la posibilidad de impacto en el pecho y la cabeza con los componentes del vehículo y evitar lesiones severas en el usuario u otro ocupante del vehículo. (Fig. B) El cinturón de seguridad troncal debe ir montado al pilar "B" del vehículo; de lo contrario, aumenta el riesgo de producirse lesiones abdominales severas al usuario.

10. Se debe contar con un sistema de sujeción de cabeza apropiado para el transporte (ver etiqueta del reposacabezas) instalado y colocado correctamente en todo momento durante el traslado.

11. No se deben utilizar los soportes posturales (cinturones de posicionamiento, cinturones pélvicos) para la sujeción del ocupante en un vehículo en movimiento, a menos que lleven la etiqueta de conformidad con los requisitos especificados en las normas ISO 7176-19:2001 o SAE J2249.

12. La seguridad del usuario durante el transporte depende del cuidado de la persona que ajuste los cinturones de seguridad, quien deberá haber recibido instrucciones o entrenamiento pertinentes para el uso de los mismos.

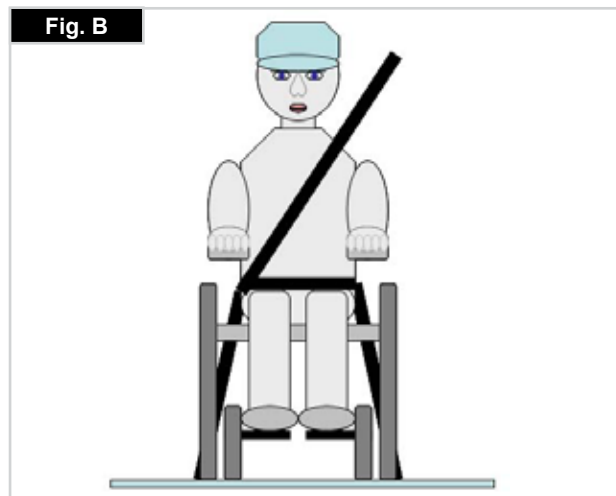
13. En la medida de lo posible, aleje de la silla de ruedas de todo el equipamiento auxiliar que lleve, por ejemplo: Bastones, Cojines sueltos y Mesas

14. Los reposapiés elevables no deben usarse en posición elevada cuando la silla de ruedas y el usuario están siendo transportados y la silla de ruedas está amarrada con el sistema de sujeción de seguridad en vehículos de transporte.

15. Los respaldos reclinables deben colocarse en posición vertical.

16. Los frenos de mano deberán estar firmemente accionados.

17. El cinturón de sujeción debe ir montada en el pilar "B" del vehículo y no debe quedar alejada del cuerpo debido a los componentes de la silla de ruedas, tales como reposabrazos o ruedas.



INSTRUCCIONES PARA UTILIZAR EL SISTEMA DE SUJECIÓN:

1. El cinturón de seguridad pélvico debe usarse por delante de la pelvis, de manera que el ángulo del cinturón quede dentro de la zona de preferencia (entre 30 y 75 grados respecto del suelo). Siempre es mejor un ángulo más pronunciado (o mayor) dentro de la zona de preferencia, o sea, más cercano a los 75°, pero nunca excediéndolos. (Fig. C)
2. El cinturón de seguridad troncal debe colocarse por encima del hombro y debe atravesar el pecho, tal como se muestra en la ilustración Fig. D y E.
Los cinturones de sujeción deben quedar ajustados en su punto más ceñido, siempre que resulte cómodo para el usuario.
Los cinturones de sujeción no deben estar retorcidos cuando se los utiliza.
El cinturón de seguridad troncal debe colocarse por encima del hombro y debe cruzar por el hombro y el pecho, tal como se muestra en la ilustración Fig. D y Fig. E.
3. Los puntos de anclaje a la silla son: el lado delantero interior del armazón (justo arriba de la rueda delantera) y el lado posterior del armazón. Las correas están instaladas alrededor de los armazones laterales en la intersección de los tubos vertical y horizontal. (Vea Fig. G - K)
4. El símbolo del cinturón de seguridad en el armazón (Fig. F) de la silla de ruedas indica la posición de la correa de sujeción de la silla. Las correas se tensionan después de que las correas delanteras se han fijado para asegurar la silla.

Fig. C

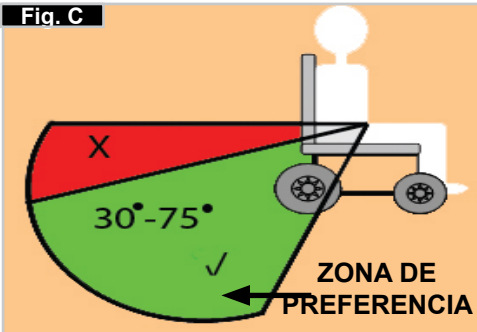


Fig. D

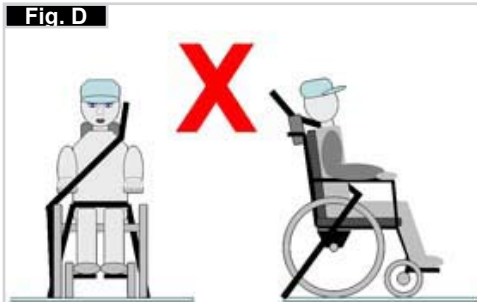


Fig. E

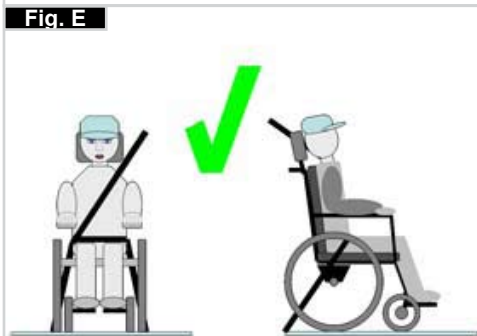


Fig. F



UBICACIÓN DE LOS CINTURONES DE SEGURIDAD EN LA SILLA DE RUEDAS

1. Ubicación de las etiquetas de los puntos de anclajes traseros (Fig. G-H-I).
2. Ubicación de la correa de sujeción delantera (Fig. G) y trasera (Fig. H-I) y etiqueta del punto de anclaje.
3. Vista lateral de las correas de sujeción (Fig. J).

Fig. G

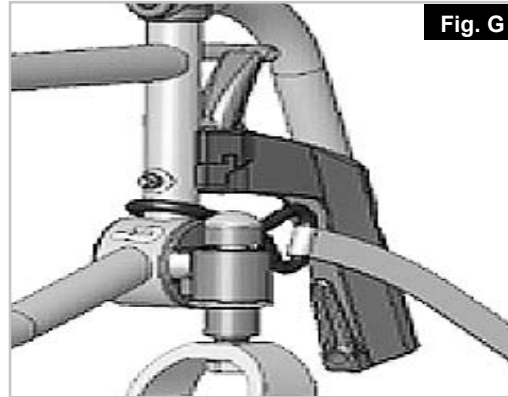


Fig. H

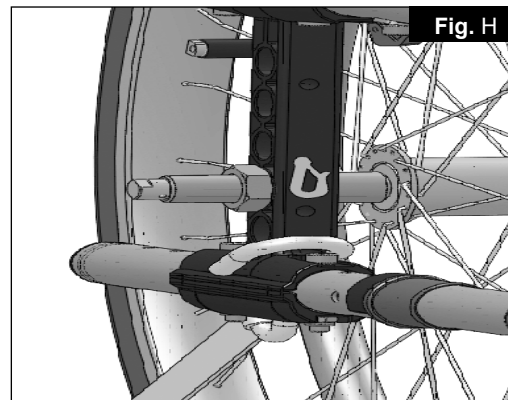


Fig. I

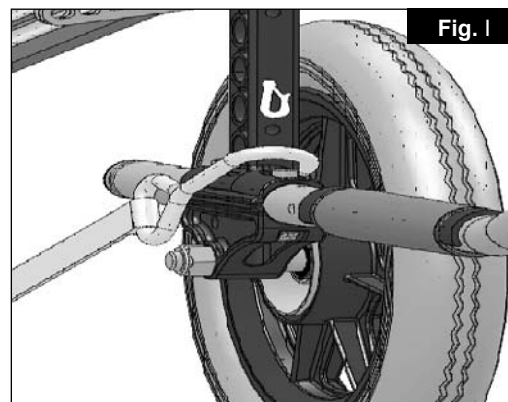


Fig. J



Utilización

PARA PLEGAR LA SILLA DE RUEDAS

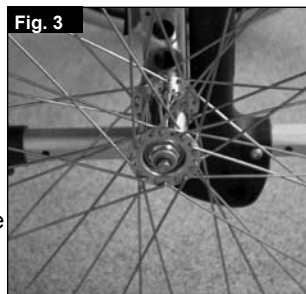
En primer lugar, retire el cojín del asiento de la silla de ruedas, y gire y levante la plataforma de reposapiés o las dos plataformas de reposapiés individuales. Sujete la tapicería o los tubos del asiento del medio, por atrás, y tire hacia arriba. La silla de ruedas queda así plegada. Para plegar la silla hasta su menor tamaño posible, para guardarla en un coche, por ejemplo, puede quitarle los reposapiés (dependiendo siempre del modelo). Para ello, abra la traba de afuera y gire el reposapiés hacia el costado. Una vez girado, tire de él hacia arriba para desmontarlo del tubo receptor (Fig. 1).



PARA DESPLEGAR LA SILLA DE RUEDAS

Ejercer presión hacia abajo sujetando de los tubos del asiento (ver figura). La silla queda así abierta por completo. Ahora, abra los tubos del asiento con un movimiento rápido hasta que vuelvan a su posición original. Este proceso puede resultar más fácil si se inclina levemente la silla hacia un lado. De esta forma, quita el peso de una de las ruedas traseras. **Procure no atraparse los dedos con la parte transversal del armazón.** Finalmente coloque nuevamente el cojín y el armazón del respaldo (Fig. 2).

Ejes de desmontaje rápido para ruedas traseras Las ruedas traseras pueden estar opcionalmente equipadas con ejes de desmontaje rápido. Así las ruedas pueden montarse y desmontarse sin necesidad de ninguna herramienta. Para desmontar la rueda, simplemente presione el botón del eje (1) y tire de la rueda hacia fuera (Fig. 3).



ATENCIÓN:

Mantenga presionado el botón del eje cuando inserte el eje en la estructura al montar la rueda. Suelte el botón para que la rueda quede fijada. El botón debe volver a su posición original al soltarlo.

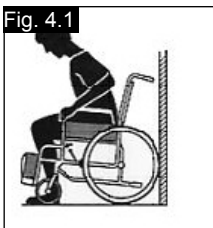
CÓMO SUBIR A LA SILLA DE RUEDAS DE MANERA INDEPENDIENTE (FIG. 4.0)

- Apoye la silla de ruedas contra un muro o mueble sólido;
- Aplique los frenos;
- Gire las plataformas del reposapiés hacia arriba;
- El usuario puede trasladarse a la silla;
- Baje las plataformas del reposapiés y coloque los pies sobre ellas por delante de los lazos de los tobillos.



CÓMO BAJAR DE LA SILLA DE RUEDAS DE MANERA INDEPENDIENTE (FIG. 4.1)

- Aplique los frenos;
- Gire las plataformas del reposapiés hacia arriba;
- Con una mano en cada reposabrazos, la persona debe inclinarse ligeramente hacia delante a fin de llevar el peso del cuerpo hacia el frente de la silla; ambos pies deben estar firmemente apoyados en el piso, pero con uno más atrás, que le ayudará a tomar el impulso necesario para incorporarse.



¡ADVERTENCIA!

- Al ponerse de pie, no se pare sobre los reposapiés, de lo contrario la silla de ruedas se dará vuelta. Es más fácil y más seguro sentarse en la silla de ruedas si las plataformas del reposapiés están totalmente giradas hacia arriba y abiertas, para que no entorpezcan la entrada a la silla de ruedas.
- Accione siempre los frenos al hacer una transferencia, sentarse o levantarse de la silla de ruedas.

Opciones - Tubos de cola

TUBOS DE COLA

Los tubos de cola se utilizan por la persona que empuja la silla, para ayudar a que la silla suba un escalón. Simplemente haga presión con el pie sobre estos tubos, para ayudar a que la silla suba un obstáculo o escalón. (Fig. 5).



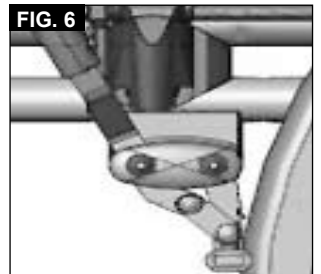
¡PRECAUCION!

Sunrise Medical recomienda enfáticamente el uso de tubo de cola en modelos con ruedas de tránsito o cualquier modelo en el que el asistente haga un uso predominante de la silla, ya que podrían producirse daños en los tubos del respaldo si tira de ellos para inclinar la silla de ruedas, con el objeto de subir un obstáculo.

Opciones - Frenos

FRENOS

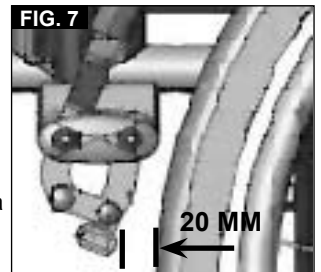
Su silla de ruedas dispone de dos frenos que se aplican directamente sobre las ruedas. Para accionarlos, presione las dos palancas de los frenos hacia delante hasta su tope. Para quitarlos, tire de las palancas hacia atrás hasta su posición inicial.



La eficacia del frenado puede verse disminuida por:

- Cubiertas desgastadas
- Neumáticos poco inflados
- Cubiertas mojadas
- Frenos mal ajustados.

Los frenos no han sido diseñados para detener de golpe o reducir la velocidad de la silla. Por lo tanto no deben usarse nunca para frenar una silla en movimiento. Utilice siempre los aros de empuje para reducir la velocidad. Asegúrese de que la distancia entre los frenos y la rueda es la indicada en las especificaciones dadas. Para reajustarlos, suelte el tornillo y coloque el freno a la posición correcta. Vuelva a ajustar el tornillo (Fig. 6-7).



¡PRECAUCION!

Después de cada ajuste de las ruedas traseras, compruebe la distancia entre la rueda y el freno, y reajústelo si es necesario. La instalación del freno demasiado cerca de la rueda dificultará su operación. Además, la palanca de freno podría bloquearse!! Apoyarse en la extensión de la palanca de freno al realizar una transferencia causará el bloqueo de la palanca. El agua que se salpica de las ruedas puede provocar una deficiente función del freno.

FRENOS DE TAMBOR

Los frenos de tambor permiten una detención segura y conveniente para el asistente. Pueden instalarse también con la ayuda de una palanca de bloqueo (1) para evitar que la silla empiece a rodar. Este gatillo encaja en su sitio haciendo un ruido rápido y seco. La efectividad de los frenos de tambor no depende de la presión de aire que haya en las cubiertas. La silla no se puede mover cuando los frenos de tambor están activados. (Fig. 8).



¡PRECAUCION!

Los frenos de tambor sólo deben ser instalados por un representante autorizado.

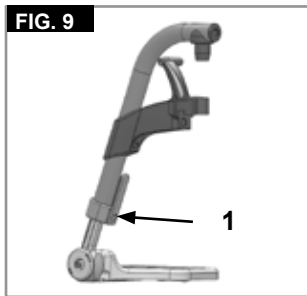
Opciones - Plataformas de reposapiés

PLATAFORMAS REPOSAPIÉS:

La plataforma reposapiés se puede abatir hacia arriba para facilitar las transferencias.

Largo de la pierna (rodilla a tobillo):

Para usuarios con piernas más largas, el soporte de pierna puede bajarse al nivel adecuado mediante los tornillos (1). Afloje los tornillos, tire de los tubos hasta colocarlos en la posición deseada, y luego vuelva a ajustar los tornillos (Consulte la página de "Presión").



Se deberá mantener un espacio de 2,5 cm entre las plataformas del reposapiés y el suelo (Fig. 9).

Plataforma reposapiés ajustable en ángulo

Puede ajustarse para modificar el ángulo con respecto al suelo. Retire el tornillo, tírelo hacia dentro, establezca el ángulo deseado y luego empújelo. Tras realizar la modificación, vuelva a ajustar el tornillo.



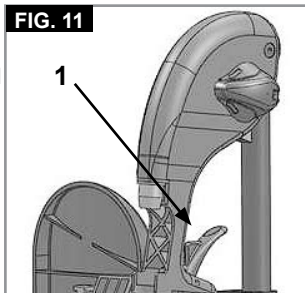
Después de modificar algún ángulo, compruebe que todos los tornillos estén ajustados correctamente (Consulte la página de "Presión"). Compruebe que mantiene el espacio mínimo necesario entre la plataforma y el suelo (2,5 cm) (Fig. 10).

¡PRECAUCION!

- Los reposapiés no deben utilizarse para levantar la silla de ruedas.
- Al subir o bajar de la silla de ruedas, no utilice las plataformas reposapiés. Antes deben girarse hacia arriba y abrirse hacia afuera al máximo ángulo posible.

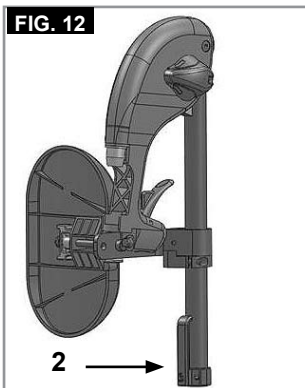
REPOSAPIÉS ELEVABLES (OPCIONAL)

(Fig. 11-13)
Para extraerlo, tire de la palanca (1), gire el reposapiés hacia fuera y, a continuación, levante y retire el reposapiés.



AJUSTE DE LA ALTURA:

Puede ajustar el largo de la parte inferior de la pierna indefinidamente aflojando el tornillo (2) Una vez alcanzada la altura adecuada, vuelva a ajustar el tornillo.

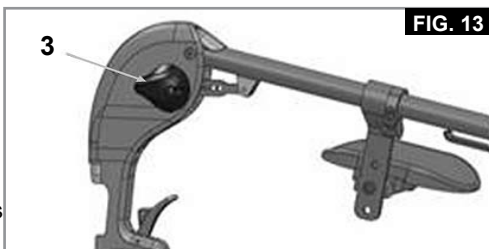


¡PRECAUCION!

La distancia entre la plataforma reposapiés y el suelo debe ser de 40 mm como mínimo.

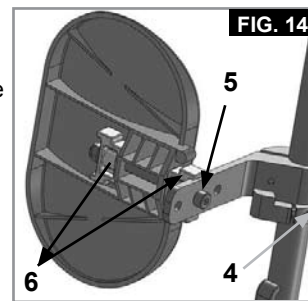
AJUSTE DE ÁNGULO:

Presione la palanca (3) hacia abajo con una mano mientras sostiene el reposapiés con la otra para quitar peso. Una vez alcanzado el ángulo deseado, suelte la palanca y el reposapiés quedará fijado en una de las posiciones preestablecidas.



AJUSTE DE LA ALMOHADILLA PARA PANTORRILLAS

(Fig. 14).
Ajuste la almohadilla para pantorrillas de la siguiente manera:
Altura: Abra el tornillo (4) y desplace la pieza de sujeción a la posición deseada. Rotando la pieza de sujeción también podrá ajustar el ángulo.
Profundidad: Abra el tornillo (5) y desplace la almohadilla para pantorrillas a la posición deseada.
Anchura: Abra el tornillo (5) y coloque los espaciadores (6) detrás de la almohadilla, para alcanzar la posición deseada.

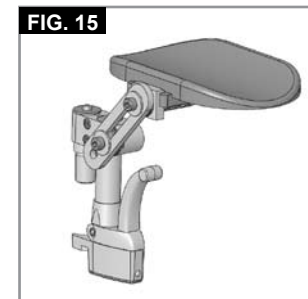


¡ADVERTENCIA!

- Mientras esté elevando o bajando el reposapiés mantenga las manos lejos del mecanismo de ajuste entre el armazón y las partes móviles del reposapiés.
- Compruebe siempre que los anclajes estén asegurados.
- Los reposapiés no deberán utilizarse para levantar o cargar la silla de ruedas.
- ¡Los dedos pueden quedar atrapados! Al girar la plataforma del reposapiés hacia arriba o abajo, no coloque los dedos en el mecanismo de ajuste entre las partes móviles de la plataforma.

SOPORTE -ALMOHADILLA PARA AMPUTADO

(Fig. 15).
La almohadilla para amputado se puede colocar en diferentes posiciones para una mayor comodidad.



Opciones - Ruedas delanteras

RUEDAS DELANTERAS, PLETINAS, HORQUILLA S

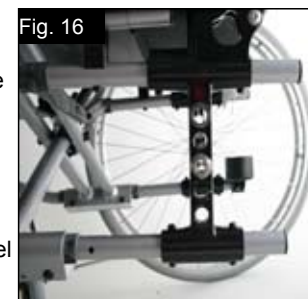
Si, con el tiempo, su silla se va ligeramente hacia la derecha o hacia la izquierda, o bien las ruedas delanteras oscilan, las causas pueden ser:

- El juego de la rueda delantera no ha sido ajustado correctamente.
- El ángulo de la rueda delantera no ha sido ajustado correctamente.
- La presión de la rueda delantera y/o trasera no es correcta; las ruedas no giran de manera fluida.

La silla de ruedas no avanzará en línea recta si las ruedas delanteras no están correctamente ajustadas. El ajuste de las ruedas debería ser siempre realizado por un distribuidor autorizado. Debe verificar los frenos cada vez que altera la posición de la rueda trasera.

Opciones - Rueda delantera - Adaptador

La altura del asiento está determinada por la posición de las ruedas delantera y la trasera. La altura del asiento puede modificarse alterando la posición de las ruedas traseras y delanteras, y utilizando espaciadores.



¡PRECAUCION!

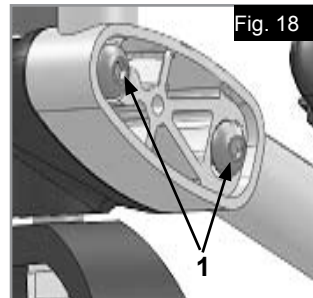
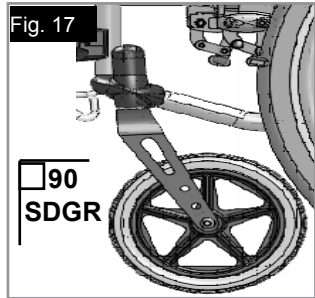
Tras establecer la altura deseada del asiento, debe volver a ajustar todos los tornillos y los frenos deben reajustarse.

Opciones – Adaptador de la rueda delantera

NOTA:

Puede cambiar el ángulo del eje de la rueda delantera pivotante alterando la posición entre la rueda delantera y la trasera. La misma debería ser siempre de 90°, aproximadamente.

CÓMO AJUSTAR EL ÁNGULO DEL EJE DE LA RUEDA DELANTERA PIVOTANTE:



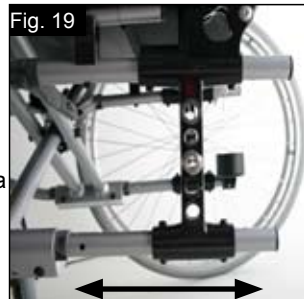
Afloje los tornillos (1), desplace el adaptador de la rueda delantera hacia fuera, forme un ángulo de 90° y vuelva a ajustar los tornillos (Fig. 17-18).

⚠ ¡PRECAUCION!

El ángulo del eje de la rueda delantera debe ser igual de ambos lados (compruébelo haciendo una marca).

POSICIÓN DEL EJE HORIZONTAL

La pletina del eje puede ser colocada hacia delante para una máxima maniobrabilidad o hacia atrás para mayor estabilidad. (Fig. 19).

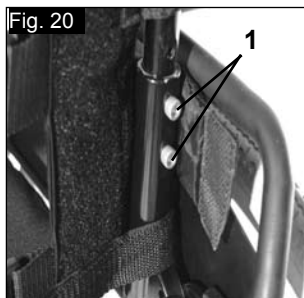


Cuanto mayor es la distancia entre los ejes, menores son las probabilidades de que la silla de ruedas vuelque.

Opciones - Respaldo

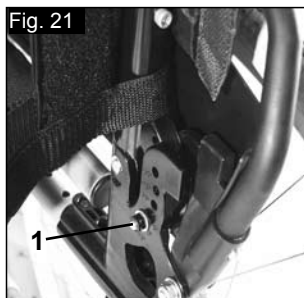
RESPALDO AJUSTABLE EN ALTURA

La altura del respaldo puede establecerse en 2 ó 3 posiciones distintas (dependiendo del modelo) (41 cm; 43,5 cm y 46 cm). Afloje y retire los tornillos (1)+(2), y coloque el tubo del respaldo a la posición deseada. Vuelva a ajustar los tornillos (Fig. 20).



RESPALDO AJUSTABLE EN ÁNGULO

El respaldo puede ser ajustado a 6 posiciones diferentes (-5° hacia delante, 0°, 5°, 10°, 15° y 20° hacia atrás). Para modificar el ángulo, retire el tornillo (1), establezca el ángulo deseado y vuelva a ajustar el tornillo (Fig. 21).



RESPALDO AJUSTABLE EN ÁNGULO (7° - 30°)

Al tirar de las dos palancas juntas (1), puede dejar suelto el respaldo y colocarlo en la posición deseada.

Al soltar las dos palancas (1) el respaldo queda fijado automáticamente en ese lugar (Fig. 22).



⚠ ¡PRECAUCION!

- Se recomienda el uso del respaldo ajustable en ángulo junto con la extensión de la batalla.
- Se recomienda el uso del respaldo ajustable en ángulo junto con los tubos anti-vuelco (máxima distancia de la base al suelo 3 a 5 cm).
- Se recomienda el uso del respaldo ajustable en ángulo junto con la barra rigidizadora.

RESPALDO PARTIDO

Cómo desplegar el respaldo: Para colocar el respaldo en posición recta, tire de las empuñaduras hacia arriba y adelante hasta que queden trabadas.



⚠ ¡ADVERTENCIA!

Mantenga los dedos y otros objetos alejados del mecanismo de plegado cuando esté plegando el respaldo, para evitar lesiones o daños a los objetos.

Cómo plegar el respaldo:

Se puede plegar el respaldo para agilizar el almacenamiento de la silla de ruedas.



⚠ ¡PRECAUCION!

No realice esta operación bajo peso, ya que podría ocasionar la rotura de la palanca.

Para plegar el respaldo, párese detrás de la silla de ruedas, presione las dos palancas pequeñas (Fig. 23 - 24) ubicadas a cada lado del respaldo (arriba de los reposabrazos). Pliegue el respaldo hacia delante.

TAPICERÍA AJUSTABLE DEL RESPALDO

La tapicería ajustable del respaldo puede ajustarse utilizando varias correas (Fig. 25).



⚠ ¡PRECAUCION!

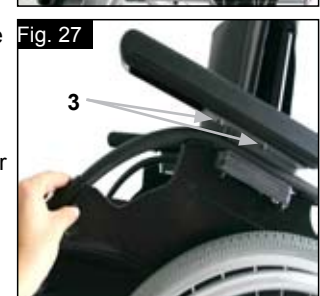
No tire demasiado del cinturón de tensión; pues de lo contrario, interferiría con el mecanismo de plegado de la silla.

Opciones – Reposabrazos

PROTECTOR LATERAL ESTÁNDAR ABATIBLE, DESMONTABLE CON REPOSABRAZOS CORTOS O LARGOS

El protector lateral con bordes delanteros redondeados le permite acercarse a la mesa. Para plegar el reposabrazos, empuje la palanca (1), para liberar el protector lateral (Fig. 26 + 27).

La altura del reposabrazos (2) puede modificarse estableciendo el soporte espaciador en varias posiciones. Para esto, extraiga los tornillos, cambie de posición el soporte espaciador y vuelva a ajustar los tornillos. El largo del reposabrazos puede modificarse si se extraen los tornillos (3), se desplaza el reposabrazos en la posición deseada y se vuelven a ajustar los tornillos (Fig. 27).



Opciones – Reposabrazos >>>

⚠ ¡PRECAUCION!

No deben usarse ni los protectores laterales ni los reposabrazos para levantar o cargar la silla de ruedas.

⚠ ¡PRECAUCION!

Procure no atraparse los dedos al ajustar la altura de la almohadilla para brazos.

PROTECTOR LATERAL, ABATIBLE, DESMONTABLE CON REPOSABRAZOS LARGOS O CORTOS, AJUSTABLE EN ALTURA

Ajuste la altura del reposabrazos de la siguiente manera:

Empuje la palanca hacia abajo y desplace el reposabrazos hasta la altura deseada.

Libere la palanca y presione el reposabrazos hacia abajo hasta escuchar el clic que indica que encajó en su posición. Siempre compruebe que los protectores laterales estén en posición.

Para plegar el reposabrazos, empuje la palanca (1), para liberar el protector lateral.



El largo del reposabrazos puede modificarse si se extraen los tornillos (2), se coloca el reposabrazos en la posición deseada, y se vuelven a ajustar los tornillos (Fig. 28).

⚠ ¡PRECAUCION!

No deben usarse ni los protectores laterales ni los reposabrazos para levantar o cargar la silla de ruedas.

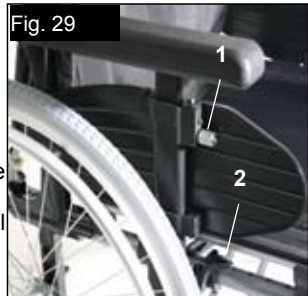
⚠ ¡PRECAUCION!

Cuando utilice una rueda trasera de 24", el almohadillado del reposabrazos debe colocarse un nivel más arriba.

REPOSABRAZOS TUBULAR REGULABLE EN ALTURA

Para ajustar la altura, tire de la palanca (1) y desplace el reposabrazos hasta la altura deseada. Después asegúrese de que la palanca (1) vuelve a trabarse en su posición original. La extracción del reposabrazos se lleva a cabo de la misma manera.

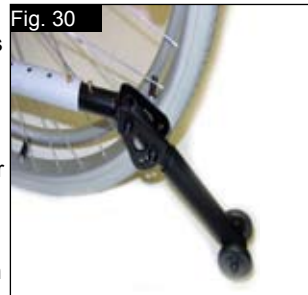
Para retirar completamente el protector lateral, empuje la palanca (2). Al instalar el protector lateral, también debe tirarse de la palanca (2). Siempre compruebe que el protector lateral encaja en su posición correcta en el receptor. (Fig. 29).



Opciones - Ruedas anti-vuelco

RUEDAS ANTI-VUELCO

Los tubos anti vuelco proporcionan seguridad adicional para los usuarios con poca experiencia, cuando todavía están aprendiendo a operar la silla de ruedas. Las ruedas anti-vuelco evitan que la silla de ruedas se vuelque hacia atrás. Debe insertar la rueda antivuelco en el tubo del armazón hasta que el primero de los dos botones de muelle ingrese en el primer orificio en el tubo del armazón (Fig.30).



⚠ ¡ADVERTENCIA!

La instalación incorrecta de las ruedas antivuelco aumenta el riesgo de una inclinación excesiva hacia atrás. Cuando suba o baje obstáculos grandes (tales como bordillos) deberá subir las ruedas antivuelco para evitar que estas toquen el suelo. Luego vuelva a rotar las ruedas antivuelco a su posición normal.

NOTA: No inserte ambos botones de la rueda antivuelco en el tubo del armazón, ya que podría dañar la rueda antivuelco y causar la pérdida de efectividad. Al pulsar el segundo botón expuesto de desmontaje, las ruedas anti-vuelco pueden colocarse hacia arriba o, directamente, extraerse. Se deberá mantener un espacio de 3 a 5 cm entre los anti-vuelcos y el suelo. Cuando suba y baje obstáculos grandes (tales como bordillos) deberá deslizar las ruedas anti-vuelco hacia delante para evitar que éstos toquen el suelo. Luego vuelva a rotar las ruedas anti-vuelco a su posición normal (Fig. 30).

⚠ ¡ADVERTENCIA!

La instalación incorrecta de las ruedas antivuelco aumenta el riesgo de una inclinación excesiva hacia atrás.

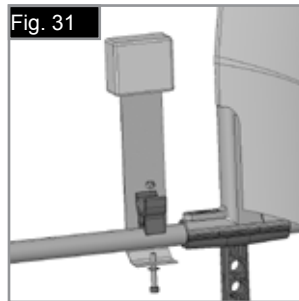
Opciones – Cinturón de seguridad

⚠ ¡ADVERTENCIA!

Antes de utilizar la silla de ruedas, asegúrese de que el cinturón de seguridad está correctamente instalado y ajustado.

El cinturón de seguridad está instalado en la silla de ruedas tal como se muestra en las ilustraciones. El cinturón de seguridad consta de dos mitades. Ambas partes se colocan pasando el pasador de retención del asiento a través del ojal del cinturón. El cinturón pasa por debajo de la parte trasera del panel lateral. (Fig. 31)

Ajuste la posición del cinturón de manera que las hebillas queden en la parte central del asiento. (Fig. 32)



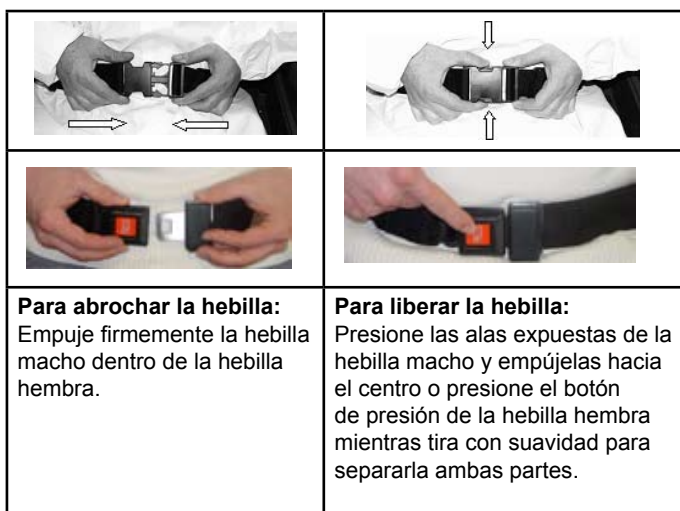
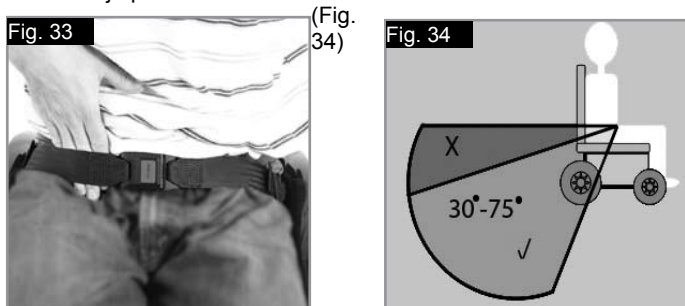
Ajuste el cinturón de seguridad según las necesidades del usuario, tal como se indica a continuación:

Para aumentar la longitud del cinturón	Para reducir la longitud del cinturón:	✓
Tipo A	Tipo A	Tipo A
Tipo B	Tipo B	Tipo B
Deslice la correa a través de la pieza de regulación de la hebilla macho a fin de aumentar la longitud del cinturón.	Deslice de nuevo la correa a través de la pieza de regulación de la hebilla macho.	Asegúrese de que la correa no presenta ninguna doblez en la hebilla macho.

Opciones – Cinturón de seguridad >>>

Al ajustar, compruebe el espacio que queda entre el cinturón y el usuario; un cinturón correctamente ajustado debe permitir que entre justo una mano plana entre el cinturón y el usuario. (Fig. 33)

Por lo general, el cinturón debe estar instalado de manera que las correas queden ubicadas en un ángulo aproximado de 45° y, si están correctamente ajustadas, el usuario no debería resbalar hacia abajo por el asiento.



CONSEJO AL CLIENTE

⚠ ¡PELIGRO!

- No se fíe solamente del cinturón de seguridad cuando la silla de ruedas y el ocupante son transportados en un vehículo; utilice, en cambio, las correas de sujeción adicionales que cruzan la cadera y el torso incluidas en el vehículo.
- Antes de utilizar el cinturón de seguridad, recomendamos verificarlo para asegurar que está correctamente ajustado, no presenta obstrucciones ni signos de desgaste y la hebilla queda correctamente trabada.
- Si no comprueba que el cinturón de seguridad está instalado de manera segura y ajustado correctamente antes de utilizarlo, el usuario podría sufrir lesiones severas. Por ejemplo, si la correa está demasiado floja, el usuario podría resbalar por el asiento y eventualmente asfixiarse.

MANTENIMIENTO:

Revise el cinturón de seguridad y los componentes de sujeción con regularidad para comprobar que no haya signos de desgaste ni daños. Cámbielo si es necesario. Limpie el cinturón con agua tibia y jabón y deje secar.

⚠ ¡PELIGRO!

El cinturón de seguridad pélvico debe ajustarse según las necesidades del usuario, tal como se detalla anteriormente. Sunrise Medical también recomienda verificar la extensión y ajuste del cinturón de manera regular a fin de reducir el riesgo de haberlo modificado inadvertidamente a un largo excesivo. Si tiene dudas acerca del uso y funcionamiento del cinturón de seguridad, solicite ayuda al profesional sanitario, distribuidor local de sillas de ruedas, proveedor de cuidados o asistente.

Opciones - Asiento

TAPICERÍA ESTÁNDAR

La tapicería lleva unas cintas de Velcro en un costado, que permite ajustar la tapicería fácilmente. Para ajustar la tapicería, pliegue la silla. Luego tire de los topes delanteros hacia delante y extráigalos del armazón. Puede retirar la tapicería del armazón. Afloje la cinta de Velcro y ajuste la tapicería. Invierta el proceso para volver a colocar la tapicería (Fig. 39)



⚠ ¡PRECAUCION!

- Como medida de seguridad, al menos el 50% de la superficie de las cintas de Velcro tiene que estar siempre en contacto.
- Procure no tirar demasiado de la tapicería, ya que de lo contrario, podría interferir con el mecanismo de plegado de la silla.
Profundidad del asiento

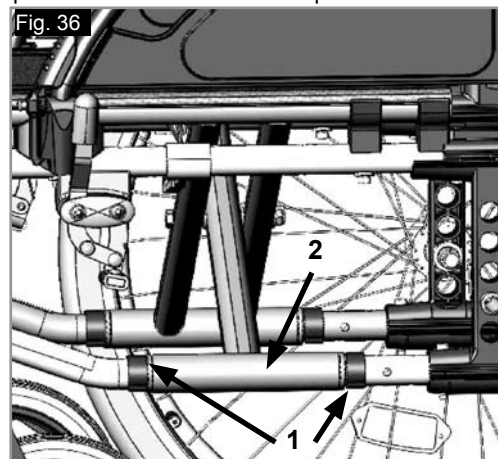
Opciones – Profundidad del Asiento

PROFUNDIDAD DEL ASIENTO

Retirando los enganches (1), la cruceta (2) puede moverse a lo largo del armazón, permitiendo cambiar la profundidad del asiento (dependiendo de la posición de los tubos traseros).

Asegúrese de que los enganches (1) encajen en los agujeros que se encuentran en el armazón.

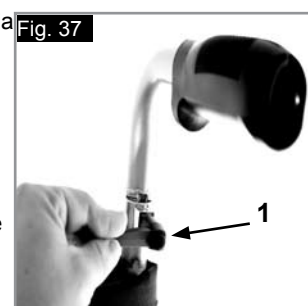
Para mantener el armazón lo más compacto posible, la profundidad del asiento puede también ser ajustada por medio de los tubos traseros (41 – 46 cm en incrementos de 2,5 cm). Para esto, extraiga los tornillos (1 y 2) del soporte del tubo posterior. Por consiguiente, retire los tornillos de la pletina del eje (1, 2, 3). Retire las ruedas y los reposabrazos y verifique que la cruceta esté en la posición deseada (si fuera necesario deslizar la cruceta como se describe arriba). Desplace los tubos del respaldo hasta alcanzar la posición deseada, y vuelva a ajustar los tornillos. Desplace el tubo receptor de los reposabrazos hasta alcanzar la posición deseada (Fig. 36).



Opciones – Empuñaduras

EMPUÑADURAS AJUSTABLES EN ALTURA

Estas empuñaduras tienen una clavija de seguridad para evitar que se salgan accidentalmente. Al soltar la palanca de desenclavamiento (1) puede ajustar las empuñaduras a la altura que desee. Tras realizar cualquier ajuste en la altura de las empuñaduras, tire de la palanca de desenclavamiento (1) hasta que esté apretada (Fig. 37).



⚠ ¡PRECAUCION!

Si la palanca no está segura, puede haber accidentes al sortear obstáculos.

Opciones - Soporte de bastones

SOPORTE DE BASTONES

Este dispositivo permite transportar los bastones directamente en la propia silla de ruedas. Tiene una cinta de Velcro (1) para sujetar los bastones o cualquier otra ayuda (Fig. 38).

¡ADVERTENCIA!

No trate nunca de utilizar o intente extraer el bastón mientras esté en movimiento.



Opciones - Mesa

MESA

La bandeja proporciona una superficie plana para cualquier tipo de actividad. Antes de utilizar la bandeja, su representante autorizado debe ajustarla por primera vez según la anchura del asiento. El usuario debe estar sentado durante las pruebas (Fig. 39).



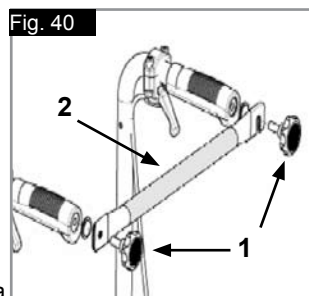
Opciones - Barra rigidizadora

BARRA RIGIDIZADORA

Afloje el pomo (1) y rote la barra rigidizadora (2) para que no interrumpa el pliegue de la silla. Para volver a colocarla en la silla de ruedas, realice el procedimiento de arriba en el orden inverso.

¡PELIGRO!

- Antes de utilizar la silla de ruedas, compruebe que la barra rigidizadora y los pomos estén en posición y ajustados de manera correcta.
- ¡No utilice nunca la barra rigidizadora para levantar la silla!



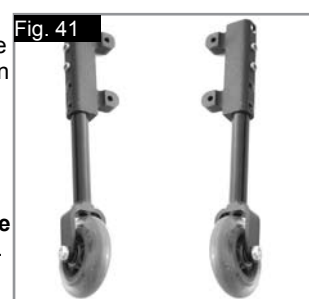
Opciones - Ruedas de tránsito

RUEDAS DE TRÁNSITO

Las **ruedas de tránsito** son para utilizar en espacios donde su silla de ruedas resulte demasiado ancha con las ruedas traseras (por ejemplo, aviones, autobuses...). Al retirar las ruedas traseras mediante el quick release, las **ruedas de tránsito** se pueden utilizar inmediatamente. Cuando no se utilicen, las **ruedas de tránsito** deben quedar a unos 3 cm. por encima del suelo. De esta manera no estorbarán al propulsarse, o al superar obstáculos. (por ejemplo bordillos, alcantarillas, etc.) (Fig. 41).

¡PELIGRO!

Cuando está utilizando las ruedas de tránsito, su silla no lleva frenos.

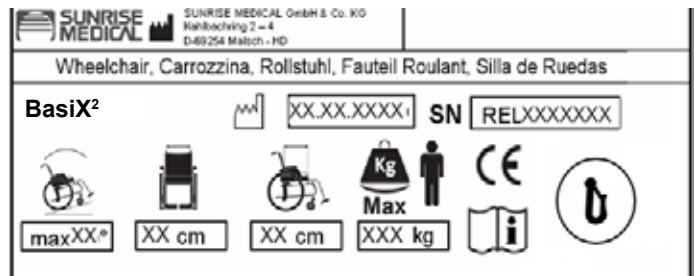


Placa de Identificación

Placa de Identificación

La placa de identificación del modelo está situada en la parte superior de la cruceta, y también en una etiqueta en el manual del usuario. La placa de identificación indica la designación exacta del modelo, además de otros datos técnicos. Al solicitar repuestos, o en caso de reclamos, indique los siguientes datos:

EJEMPLO



BasiX²

XXXXX-XXX

Nombre del producto, número de referencia (SKU)



La pendiente máxima segura con ruedas anti-vuelco depende de la configuración de la silla de ruedas, la postura y las capacidades físicas del usuario



Ancho del asiento.



Profundidad (máxima).



Carga máxima.



Marca CE



Manual de usuario.



Crash Test



XX.XX.XXXX

Fecha de fabricación.



SN RELXXXXXXXX

Número de serie.

Debido a nuestra política de continua mejora del diseño de las illas de ruedas que desarrollamos, las especificaciones de cada producto pueden variar levemente de los ejemplos aquí ilustrados. Todos los datos de peso, dimensiones y rendimiento son aproximados y constituyen una guía solamente. Sunrise Medical cumple con la Directiva de la UE sobre Dispositivos Médicos, 93/42/CEE



Todas las sillas de ruedas deben utilizarse según lo estipulado en los manuales de instrucciones del fabricante.

Sunrise Medical GmbH & Co.KG
Kahlbachring 2-4
69254 Malsch/Heidelberg
Germany
Tel.: +49 (0) 7253/980-0
Fax: +49 (0) 7253/980-111
www.sunrisemedical.com

Cubiertas y montaje

CUBIERTAS Y MONTAJE

Las ruedas macizas son estándar.

Con los neumáticos, asegúrese siempre de que las cubiertas tengan la presión adecuada, ya que esto puede influir en la utilización correcta de la silla. Si la presión de las cubiertas es muy baja, aumentará la resistencia al rodar, por lo que se necesitará de mayor esfuerzo para impulsar la silla hacia delante. También perjudica la maniobrabilidad. Si la presión es muy alta, la cubierta podría estallar. La presión correcta aparece impresa en la misma superficie de la cubierta (min. 3.5 bar).

Las cubiertas se montan igual que las cubiertas de una bicicleta. Antes de instalar la cámara, debe asegurarse siempre de que la base de la llanta y el interior de la cubierta están libres de objetos extraños. Compruebe la presión después de instalar o reparar la cubierta. Es vital para su seguridad y para la correcta utilización de la silla mantener la presión adecuada y las cubiertas en buen estado.

Mantenimiento y cuidado

INSPECCIÓN DE SEGURIDAD:

El usuario será el primero en notar cualquier posible defecto. Por lo tanto, recomendamos llevar a cabo las verificaciones siguientes cada vez que vaya a usar el producto:

Que la presión de los neumáticos sea la correcta.

Que los frenos funcionen correctamente

Que todos los componentes extraíbles estén correctamente instalados (p. ej., reposabrazos, hangers, ejes de desmontaje rápido, etc.).

En caso de detectar daños o defectos, tenga a bien contactar con su representante autorizado.

MANTENIMIENTO:

Verifique con regularidad la presión de los neumáticos.

Verifique con regularidad (al menos una vez al año) si los neumáticos están desgastados o dañados. Cambie los neumáticos no bien detecte signos de desgaste o daño.

Verifique con regularidad (al menos una vez al año) si las tapicerías del respaldo y asiento presentan daños o desgaste. Cambie estas piezas no bien detecte signos de desgaste o daño.

Verifique con regularidad (al menos una vez al año) si los componentes del armazón general y del respaldo presentan daños o desgaste. Cambie estas piezas no bien detecte signos de desgaste o daño.

Verifique con regularidad (al menos una vez al año) si los frenos están desgastados o dañados. Compruebe que funcionen correctamente y puedan usarse con facilidad. Cambie los frenos no bien detecte signos de desgaste o daño.

Compruebe con regularidad (al menos una vez al año) que todos los tornillos están seguros (ver sección sobre Presión). Todos los tornillos que son fundamentales para un uso seguro de la silla de ruedas llevan tuercas de seguridad. Las tuercas de seguridad deberían ser utilizadas solamente una vez, y ser reemplazadas después de muchos usos.

NOTA: Si se proporcionan las medidas de torsión, recomendamos enfáticamente que utilice un dispositivo medidor para comprobar que el ajuste a la medida de torsión sea correcto.

Use únicamente detergentes suaves para limpiar su silla. Utilice solo jabón y agua para limpiar la tapicería del asiento y el cinturón de falda.

Teniendo en cuenta la frecuencia y el tipo de uso de la silla, es recomendable que lleve la silla de ruedas a un distribuidor autorizado con regularidad (al menos una vez al año) para que personal autorizado lleve a cabo una inspección general y las tareas de mantenimiento necesarias.



¡PRECAUCION!

La arena, la sal y el agua del mar pueden afectar los cojinetes delanteros de las ruedas delanteras y traseras. Limpie y seque la silla de ruedas con cuidado tras haberla expuesto a estos elementos.

HIGIENE AL REITERAR EL USO:

Cuando la silla vaya a ser usada nuevamente, debe prepararse minuciosamente y debe limpiarse con algún tipo de desinfectante sobre todas las superficies que entraron en contacto con el usuario anterior.

Si necesita hacerlo de manera urgente, debe usar un desinfectante líquido a base de alcohol, adecuado para productos y aparatos médicos.

Lea atentamente las instrucciones del fabricante del desinfectante que vaya a usar.

Posibles problemas

La silla de ruedas se desplaza hacia un lado

- Compruebe la presión de los neumáticos
- Compruebe que las ruedas giran libremente (rodamientos, ejes, etc.)
- Compruebe el ángulo de las ruedas delanteras
- Compruebe que ambas ruedas delanteras se apoyan en el suelo

Las ruedas delanteras oscilan

- Compruebe el ángulo de las ruedas delanteras
- Compruebe que todos los tornillos están seguros; ajústelos de ser necesario (ver sección Presión).
- Compruebe que ambas ruedas delanteras se apoyan en el suelo

La silla de ruedas se mueve y cruje

- Compruebe que todos los tornillos están seguros; ajústelos de ser necesario (ver sección Presión).
- Lubrique los puntos donde las partes móviles rozan con otras

La silla de ruedas oscila

- Compruebe el ángulo de las ruedas delanteras
- Compruebe la presión de los neumáticos
- Compruebe si las ruedas traseras están ajustadas de manera diferente.

Deshecho / reciclaje de los materiales

NOTA: Si esta silla le fue entregada libre de coste, es posible que no le pertenezca. Si ya no la necesita, siga las instrucciones de la institución que le proporcionara la silla de ruedas para devolvérsela.

La información que sigue describe los materiales utilizados en la silla de ruedas con relación al deshecho o reciclaje de la silla y su embalaje.

Es posible que en el área que usted se encuentra rijan leyes específicas sobre materiales de desecho y reciclaje, las cuales deben tomarse en cuenta al momento de organizar la disposición de la silla. (Quizá esto incluya la limpieza o descontaminación de la silla de ruedas antes de deshacerse de ella).

Aluminio: Horquillas de ruedas delanteras, ruedas, armazón lateral, armazón de reposabrazos, reposapiés, empuñaduras

Acero: Anclajes, abrazaderas, eje QR

Plástico: Cubiertas de empuñaduras, tapones de tubos, ruedas pivotantes, plataformas de reposapiés, almohadillas para brazos y rueda/neumático de 12"

Embalaje: Bolsa de polietileno de baja densidad, caja de cartón

Tapicería: Trama de poliéster con cobertura de PVC y espuma expandida de combustión modificada.

El descarte o reciclaje debe ser llevado a cabo por un agente o sitio autorizado de desechos. Otra posibilidad es devolver la silla a su representante autorizado para que disponga de ella.



Datos técnicos

Ancho total:

Con ruedas estándar, aros de empuje incluidos, con montaje estrecho:

AA +19 cm

Con ruedas con freno de tambor, aros de empuje incluidos, con montaje estrecho:

AA +21 cm

Dimensiones plegada:

CARGA MÁXIMA: 125 KG

CONSULTE TAMBIÉN PÁG. 5

Según lo establecido en EN12183: 2009, todas estas piezas enunciadas (asiento - tela de respaldo, almohadilla del reposabrazos, protector lateral, etc.) son resistentes al fuego, de conformidad con la norma EN1021-2.

El tomar una pendiente de forma dinámica y segura depende de la configuración de la silla, de la habilidad de conducción del usuario y del estilo de montaje. Debido a que la habilidad de conducción y el estilo de montaje del usuario no son factores predeterminados, la pendiente segura máxima no puede determinarse tampoco. Por lo tanto, el usuario y un asistente deberán determinar estos factores a fin de evitar vuelcos inadvertidos. Por lo tanto, el usuario y un asistente deberán determinar estos factores a fin de evitar vuelcos inadvertidos.

La silla de ruedas responde a las siguientes normativas:

- Requisitos y métodos de prueba de resistencia estática, impacto y fatiga (ISO 7176-8)
- Requisitos para resistencia al encendido de conformidad con ISO 7176-16 (EN 1021-2)

Con ruedas estándar = 30 cm

Sin ruedas estándar = 24 cm

Carga máxima:

Soporta una carga de hasta 125 kg

Peso en kilos:

Transporte (sin reposapiés, ruedas, protectores laterales) 8,4 kg

Reposapiés (unidad): 0,8 kg

Protector lateral estándar (unidad): 0,8 kg

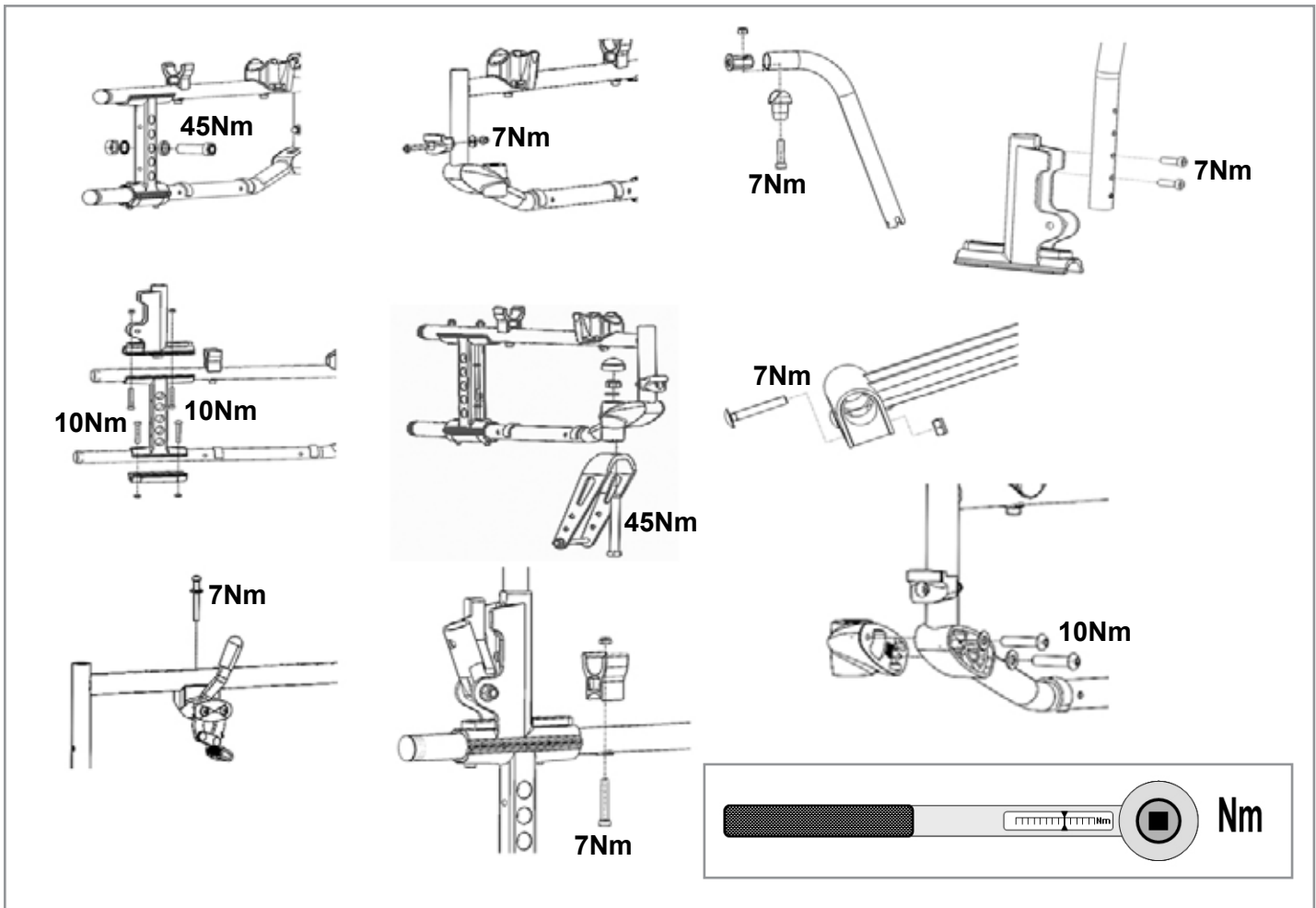
Ruedas traseras de 24" macizas (par): 3,8 kg

Jgo. de ajuste de altura de asiento

425 mm	8"	1A	
450 mm	8"	2 A	1B
480 mm	8"	3 A	2 B
505 mm	8"		3 B
425 mm	6"	2 A	1B
450 mm	6"	3 A	2 B
480 mm	6"		3 B

400 mm	24"		1
425 mm	24"		2
450 mm	24"	12"	3
475 mm	24"		4
(500 mm)	24"		5

Torsión



A MENOS QUE SE ESPECIFIQUE LO CONTRARIO, LA PRESIÓN PARA LOS TORNILLOS M6 ES DE 7 NM.

ESPAÑOL

Prefácio

Caro Cliente,

Estamos contentes por ter decidido comprar um produto de elevada qualidade da SUNRISE MEDICAL.

Este Manual do Utilizador contém várias sugestões e ideias para que a sua cadeira de rodas seja um parceiro de confiança e fiável na sua vida.

Queremos que fique satisfeito com os nossos produtos e serviços. A Sunrise Medical tem trabalhado consistentemente para desenvolver continuamente os seus produtos. Por esta razão, podem ocorrer alterações nas nossas gamas de produtos no que diz respeito à forma, tecnologia e equipamento. Por conseguinte, não podem ser feitas reclamações com base nos dados e imagens contidas neste manual técnico.

O sistema de gestão da SUNRISE MEDICAL está certificado segundo ISO 9001, ISO 13485 e ISO 14001.



Como fabricante, a SUNRISE MEDICAL, declara que as cadeiras de rodas respeitam a directriz 93/42/EEC, com a adenda 2007/47/EEC.

Para além disso, as cadeiras de rodas respeitam todos os requisitos dos "Testes de Choque" de ISO 7176-19.

Contacte o nosso fornecedor local e autorizado SUNRISE MEDICAL se tiver questões sobre a utilização, manutenção ou segurança da sua cadeira de rodas.

Caso não exista fornecedor autorizado na sua área ou se tiver qualquer dúvida, contacte a Sunrise Medical por escrito ou por telefone (as moradas de contacto podem ser obtidas na última página).

Sunrise Medical Limited
High Street Wollaston
West Midlands DY8 4PS
England
Tel.: +44 (0) 1384446688
www.sunrisemedical.com

Tome nota da morada e do telefone do serviço de assistência local no seguinte espaço.

Em caso de avaria, entre em contacto com o mesmo e tente dar todos os detalhes pertinentes para poder receber uma ajuda rápida.



IMPORTANTE:
NÃO USE A SUA CADEIRA DE RODAS ANTES DE TER LIDO E COMPREENDIDO O MANUAL.

Legenda dos símbolos



PERIGO!

Mensagens de aviso relativas a possíveis riscos de acidentes graves ou morte.



AVISO!

Mensagens de alerta para possíveis riscos de ferimentos.



CUIDADO!

Mensagens de alerta para possíveis danos técnicos.

NOTA:

Informação para operação do produto.

Índice

Prefácio	76
Legenda dos símbolos	76
Índice	76
Utilização	76
Área de aplicação	76
Normas sobre segurança e limites de condução gerais	77
Garantia	78
Transporte	79
Manuseamento	81
Opções – Tubos de Apoio	81
Opções - Travões	81
Opções – Apoios para pés	82
Opções – Roda Giratória	82
Opções – Adaptador da roda giratória	82
Opções – Encosto	83
Opções – Protecção lateral	83
Opções – Tubos Anti-queda	84
Opções – Cinto de segurança	84
Opções - Assento	85
Opções – Profundidade do Assento	85
Opções – Manípulos de Pressão	85
Opções - Suporte da Canadiana	86
Opções - Mesa de terapia	86
Opções - Barra Estabilizadora	86
Opções - Rodas de Viagem	86
Placa de nome	86
Pneus e Montagem	87
Manutenção e Cuidado	87
Resolução de Problemas	87
Eliminação / Reciclagem de materiais	87
Dados técnicos	88
Ajustamento da Altura do Assento	88
Força de Torção	88

Utilização

As cadeiras de rodas leves são exclusivamente para utilizadores incapazes de andar, com mobilidade limitada, para seu uso pessoal em interiores e no exterior, em terrenos secos, firmes e nivelados (impulsionadas pelo próprio ou por um assistente).

O limite máximo de peso (inclui o utilizador e o peso de acessórios instalados na cadeira de rodas) está assinalado na etiqueta com o número de série, fixada na barra transversal ou barra estabilizadora sob o assento.

A garantia aplica-se apenas se o produto for usado nas condições especificadas e para os objectivos a que se destina.

A vida útil estimada da cadeira de rodas é 5 anos. Por favor, NÃO use ou instale componentes de 3os na cadeira de rodas excepto quando oficialmente autorizado pela Sunrise Medical.

Área de aplicação

A variedade de acessórios assim como o desenho modular significam que pode ser usada por pessoas que não podem andar ou com mobilidade limitada por causa de:

- Paralisia
- Perda de membros (amputação da perna)
- Defeito/deformação dos membros
- Contractura das articulações/lesões nas articulações
- Doenças como deficiências cardíacas e circulatórias, distúrbios de equilíbrio ou caquexia assim como idosos que ainda tenham força no tronco.

Quando considerar uma provisão, tenha em conta o tamanho e peso do corpo, a constituição física e psicológica, a idade da pessoa, condições de vida e ambiente.

Normas sobre segurança e limites de condução gerais

A engenharia e construção desta cadeira de rodas destinam-se a oferecer a maior segurança. As normas de segurança internacionais actualmente em vigor foram cumpridas ou excedidas.

No entanto, existe o risco de perigo se os utilizadores manusearem incorrectamente a cadeira de rodas. Para sua própria segurança, deve respeitar completamente as seguintes regras.

A adaptação ou ajustamento não profissional ou errado pode aumentar o risco de acidentes. Como utilizador da cadeira de rodas, faz também parte do tráfego diário nas ruas e passeios, como tudo o resto. Gostaríamos de lhe chamar a atenção que, deste modo, está também sujeito a qualquer regra do Código de Estrada.

Tenha cuidado durante a sua primeira viagem na cadeira de rodas. Familiarize-se com a sua Cadeira de Rodas.

Antes de cada utilização, deve inspecionar o seguinte:

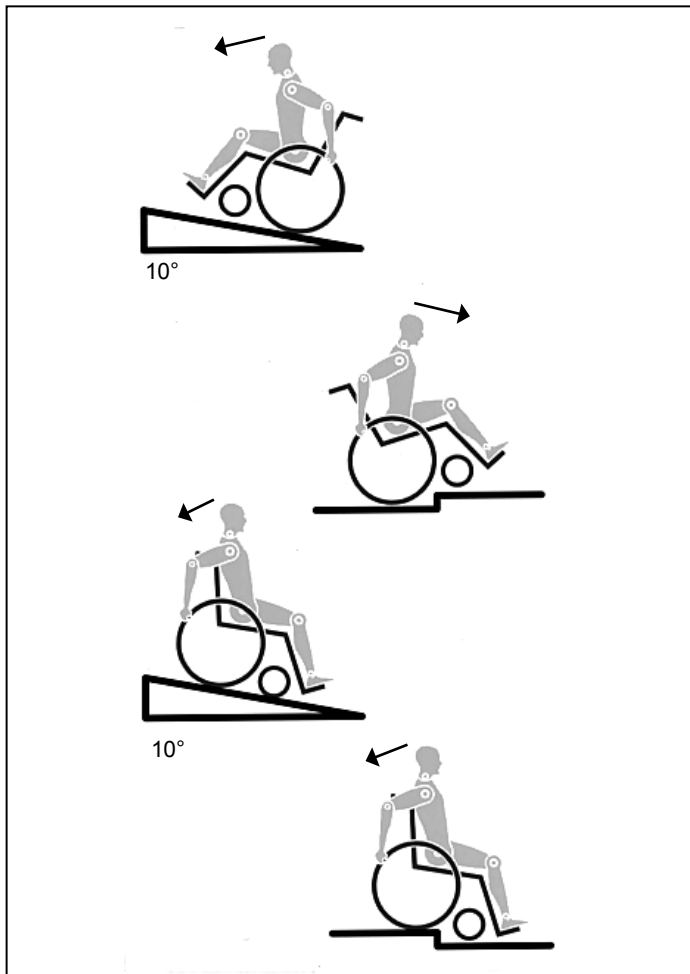
- Eixos fixos ou eixos de extracção rápida nas rodas traseiras
- Velcro dos assentos e encostos
- Pneus, pressão dos pneus e dispositivos de bloqueio das rodas.

Antes de alterar qualquer um dos ajustamentos desta cadeira de rodas, é importante ler a secção correspondente do Manual de Utilizador.

É possível que a cadeira caia se passar por cima de buracos ou conduzir em solo desnivelado, especialmente quando subir ou descer solo inclinado. Quando subir um degrau ou uma inclinação de frente, deve inclinar o corpo para a frente.

⚠ PERIGO!

- NUNCA exceda a carga máxima de 125 kg para o condutor mais quaisquer objectos transportados na cadeira. Se exceder a carga máxima, pode danificar a cadeira ou pode cair ou capotar, perder controlo ou causar ferimentos graves no utilizador e outras pessoas.
- Quando estiver escuro, vista roupas de cores claras ou roupas com reflectores, para ser mais facilmente visível. Verifique se os reflectores no lado e na traseira da cadeira de rodas são claramente visíveis.
- Recomendamos também que instale uma luz activa.



⚠ PERIGO!

- Para evitar quedas e situações perigosas, pratique primeira a condução da sua nova cadeira de rodas em solo nivelado e com boa visibilidade.
- Quando se sentar ou sair da cadeira de rodas, não se apoie nos apoios de pés.
- Deve dobrá-los para cima antes e movê-los para o exterior tanto quanto possível. Posicione-se sempre tão próximo quanto possível do local para onde se pretende transferir.
- Utilize sempre a cadeira de rodas com cuidado. Por exemplo, evitar transpor obstáculos sem travar (degraus, lancis) ou descer desnivelamentos de solo.
- Os bloqueios das rodas não se destinam a parar a cadeira de rodas em movimento. Existem apenas para garantir que a sua cadeira de rodas não se move por acidente. Quando parar em solo desnivelado, deve usar sempre os dispositivos de bloqueio das rodas para evitar que a cadeira se mova. Active sempre ambos os dispositivos. Caso contrário, a sua cadeira de rodas pode inclinar-se.
- Explore os efeitos da mudança do centro de gravidade no comportamento da cadeira de rodas, por exemplo, em inclinações, declives, todos os desnivelamentos ou quando transpor obstáculos. Faça-o com a assistência de alguém.
- Em condições extremas (p.ex. com as rodas traseiras na posição mais dianteira) e com uma postura menos perfeita, a cadeira de rodas pode tombar mesmo numa superfície plana.
- Incline o seu tronco para a frente quando subir declives e degraus.
- Incline o seu tronco ainda mais para trás quando descer declives e degraus. Nunca tente subir e descer um declive na diagonal.
- Evite utilizar um elevador que pode causar ferimentos graves em caso de queda.
- Não conduza a cadeira de rodas em declives superiores a 10°. O declive seguro dinâmico depende da configuração da cadeira, das capacidades do utilizador e do estilo de condução. Uma vez que as capacidades do utilizador e estilo de condução não podem ser pré-determinados então o desnivelamento máximo seguro não pode ser pré-determinado. Assim, deve ser determinado pelo utilizador com a ajuda de um assistente para evitar cair. Aconselhamos vivamente a instalação de dispositivos anti-queda se o utilizador for inexperiente.
- É possível que a cadeira caia se passar por cima de buracos ou conduzir em solo desnivelado, especialmente quando subir ou descer solo inclinado.
- Não conduza a cadeira de rodas em solo lamacento e com gelo.
- Não utilize a sua cadeira de rodas onde os pedestres não podem circular.
- Para evitar ferimentos nas mãos, não coloque as mãos nos raios ou entre a roda traseira e o dispositivo de bloqueio das rodas quando conduzir a cadeira de rodas.
- Em especial, quando usar aros de rodas leves, os dedos podem facilmente aquecer quando travar a altas velocidades ou em inclinações longas.
- Só deve tentar subir escadas com a ajuda de um assistente. Existe equipamento para o auxiliar, p.ex. subir rampas ou utilizar elevadores. Utilize-o. Se não existir equipamento para uma determinada função, então a cadeira de rodas deve ser inclinada e empurrada e nunca transportada em degraus (2 assistentes). Não aconselhamos a transferência de utilizadores com mais de 100 kg de peso desta maneira. Regra geral, deve instalar previamente tubos anti-queda, para não tocarem nos degraus, porque de outro modo poderá sofrer uma queda grave. Depois, os tubos anti-queda deve ser colocados na posição correcta.
- Certifique-se que o auxiliar segura na cadeira apenas nas peças firmemente instaladas. Não pegue pelas peças removíveis (por exemplo, não pegue pelos apoios de pés ou pelas protecções laterais).

⚠ PERIGO!

- Quando utilizar uma rampa de suspensão, certifique-se que os tubos anti-queda instalados estão posicionados fora da área de perigo.
- Imobilize a cadeira de rodas em solo irregular ou quando a transportar (p.ex. num carro) usando os travões.
- Se, e sempre que possível, durante uma viagem num veículo equipado para transportar pessoas com deficiências motoras, os ocupantes do veículo devem usar os assentos do veículo e o sistema de segurança apropriado. Esta é a única maneira de garantir que os ocupantes recebem a protecção máxima em caso de acidente.
- Dependendo do diâmetro e configuração das rodas giratórias assim como da configuração do centro de gravidade da cadeira de rodas, as rodas giratórias podem começar a vibrar em velocidades mais elevadas. Isto pode causar o bloqueio da roda giratória e a cadeira de rodas pode tombar. Assim, certifique-se que as rodas giratórias estão ajustadas correctamente (consulte o capítulo "Rodas giratórias").
- Em particular, não conduza sem travões em inclinações, mova-se a uma velocidade reduzida. Aconselhamos os utilizadores mais inexperientes a utilizarem tubos anti-queda.
- Os tubos anti-queda devem evitar a queda da cadeira para trás por acidente. Em circunstância alguma devem ser utilizados em vez das rodas normais e devem ser utilizados para transportar uma pessoa numa cadeira de rodas com as rodas traseiras removidas.
- Quando pegar em objectos (à frente da, ao lado da ou por detrás da cadeira de rodas) certifique-se que não se inclina demasiado para longe da cadeira de rodas, porque se alterar o centro de gravidade existe o risco de cair ou capotar. Se pendurar pesos adicionais (mochilas ou outros objectos semelhantes) nas barras da sua cadeira de rodas pode afectar a estabilidade traseira, especialmente quando utilizada em combinação com encostos reclináveis. Deste modo, a cadeira pode inclinar-se para trás causando ferimentos.
- Para amputados ao nível das coxas, os tubos anti-queda devem ser utilizados.
- Antes de conduzir, verifique se a pressão dos pneus está correcta. Para as rodas traseiras, deve ser, pelo menos, 3,5 bares (350 kPa). A pressão máx. é indicada no pneu. Os travões com manípulo de joelho apenas funcionam se a pressão dos pneus for suficiente e se foi efectuada a configuração correcta (ver Capítulo sobre "Travões").
- Se o assento ou a correia traseira ficarem danificados, deve substituí-los imediatamente.
- Cuidado com o fogo, especialmente cigarros acesos. As correias do assento e traseiras podem incendiar-se.
- Se a cadeira de rodas estiver sujeita directamente à luz do sol/a temperaturas frias durante longos períodos de tempo, as suas peças (por exemplo, a estrutura, apoio de pernas, travões e protecções laterais) podem aquecer (>41°C) / ficar muito frias (<0°).
- Verifique se os eixos de extracção rápida nas rodas traseiras, se instalados, estão configurados correctamente e bloqueados (os rolamentos de bloqueio são completamente visíveis através da manga do eixo). Se não premir o botão no eixo de extracção rápida, não pode remover a roda traseira.

⚠ CUIDADO!

- O efeito do travão com manípulo de joelho assim como as características gerais de condução dependem da pressão dos pneus. A cadeira de rodas é significativamente mais leve e mais fácil de manobrar quando as rodas traseiras estiverem cheias e a pressão de ambas as rodas for igual.
- Verifique se os seus pneus têm piso suficiente!
- Tenha em conta que fica sujeito a toda e qualquer regra de trânsito quando conduzir no trânsito normal.
- Tenha sempre cuidado quando manusear ou ajustar a cadeira de rodas!
- Ajustamentos que exijam ferramentas devem ser sempre efectuados por fornecedores autorizados.
- Limpe periodicamente a cadeira de rodas para evitar a ferrugem e a corrosão por sal.
- Inspeccione os rebites, porcas e parafusos para confirmar que estão apertados e que nenhuma peça da cadeira de rodas está solta.

⚠ CUIDADO!

- Com todas as peças móveis, existe o risco natural de entalar os dedos. Manuseie com cuidado.
- Os produtos apresentados e descritos neste manual podem não ser exactamente iguais em todos os detalhes ao seu próprio modelo. No entanto, todas as instruções que se indicam, são perfeitamente aplicáveis, independentemente dessas pequenas diferenças.
- O fabricante reserva-se no direito de modificar, sem aviso prévio, os pesos, dimensões e outros dados indicados neste manual. Todos os valores, medidas e capacidades incluídos neste manual são aproximados e não representam especificações.

Vida Útil

A vida útil prevista deste produto é 5 anos desde que: seja utilizada de acordo com o objectivo para o qual foi criado todos os requisitos de reparação e manutenção sejam respeitados.

Garantia

GARANTIA

ISTO NÃO AFECTARÁ DE NENHUMA MANEIRA OS SEUS DIREITOS LEGAIS.

Condições de Garantia

1) A reparação ou substituição deve ser efectuada por um Fornecedor ou Serviço de Manutenção da Sunrise Medical.

2) Para aplicar as condições da garantia, se a sua cadeira de rodas precisar de assistência ao abrigo das respectivas condições, notifique imediatamente o agente de serviço pós-venda designado pela Sunrise Medical, dando-lhe todas as informações sobre a natureza do problema. Se estiver a utilizar a cadeira de rodas fora da localidade do agente de serviço pós-venda designado pela Sunrise Medical, os trabalhos ao abrigo das "Condições de Garantia" será realizado por qualquer outro agente designado pelo fabricante.

3) Se algum componente da cadeira de rodas precisar de reparação ou substituição devido a um defeito de fabrico ou de material no prazo de 24 meses (5 anos no caso da estrutura e estrutura cruzada) após a data de transferência de propriedade da cadeira de rodas para o primeiro comprador, e sujeito ao que resta do período dessa propriedade, a peça ou peças serão totalmente reparadas ou substituídas, sem quaisquer encargos, se forem enviadas ao agente de serviço pós-venda autorizado. Nota: Esta garantia não é transferível.

4) Qualquer peça reparada ou substituída beneficiará das condições de garantia durante o prazo remanescente do período de garantia aplicável à cadeira de rodas.

5) As peças substituídas depois de ter expirado o prazo de garantia original terão uma garantia de 12 meses.

6) Os elementos de natureza fungível não estarão geralmente cobertos por esta garantia a não ser que estes elementos tenham sofrido um desgaste indevido por causa directa de um defeito de fabrico original. Estes itens incluem, entre outros, os estofos, pneus, câmaras de ar e peças similares.

7) As condições de garantia acima descritas aplicam-se a todas as peças do produto, para modelos adquiridos a um preço de venda ao público sem descontos.

8) Em circunstâncias normais, não será aceite qualquer responsabilidade no caso da cadeira de rodas necessitar de reparação ou substituição em resultado de:

- Do produto ou peça não ter sido mantida ou reparada de acordo com as recomendações do fabricante, como descritas no Manual Técnico e/ou Manual de Assistência. Ou quando não se tiverem só utilizado peças originais específicas.
- Danos apresentados pela cadeira de rodas ou peça como resultado de negligência, acidente ou utilização imprópria.
- O produto ou peça ter sido alterado a partir das especificações do fabricante ou reparações terem sido realizadas sem aviso prévio ao agente.
- Se o produto apresentar corrosão devido a manutenção incorrecta

Transporte

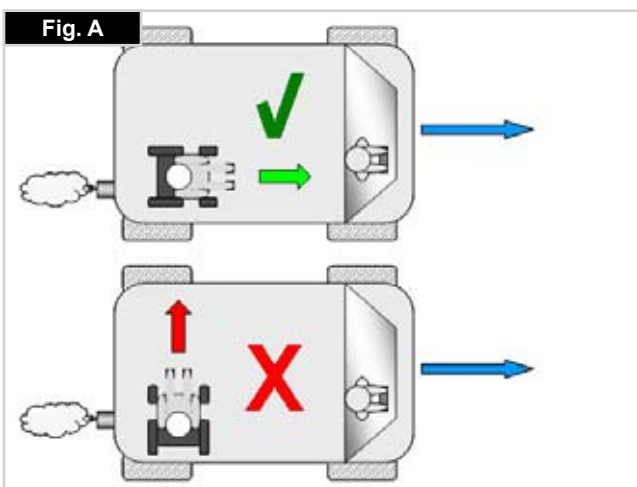
PERIGO!

Existe o risco de ferimentos graves ou morte se esta sugestão for ignorada!

Transporte da cadeira de rodas num veículo:

Uma cadeira de rodas fixa num veículo não apresenta o nível de segurança equivalente ao do sistema de segurança do veículo. É sempre aconselhável transferir o utilizador para o assento do veículo. A Sunrise Medical reconhece que nem sempre é prático para o utilizador ser transferido e, nestas circunstâncias, quando for necessário transportar o utilizador na cadeira de rodas, os seguintes conselhos devem ser respeitados:

1. Confirme se o veículo está equipado para transportar um passageiro numa cadeira de rodas e se tem acesso ao método de acesso/entrada para o seu tipo de cadeira de rodas. A resistência do piso do veículo deve ser suficiente para suportar o conjunto do peso do utilizador, da cadeira de rodas e acessórios.
2. Deve existir espaço suficiente à volta da cadeira de rodas para permitir fixar, apertar e libertar a cadeira de rodas e os cintos de segurança e dispositivos de fixação do ocupante.
3. A cadeira de rodas ocupada deve ser posicionada virada para a frente e fixada com as correias de fixação da cadeira de rodas e do ocupante (correias WTORS que cumpram os requisitos de ISO 10542 ou SAE J2249) de acordo com as instruções do fabricante WTORS.
4. A utilização da cadeira de rodas noutras posições dentro de um veículo ainda não foi testada, p.ex. o transporte da cadeira virada para o lado não deve ser feito em circunstância alguma (Fig. A).
5. A cadeira de rodas deve ser fixa por uma sistema de fixação, conforme ISO 10542 ou SAE J2249 com correias dianteiras não ajustáveis e correias traseiras ajustáveis, normalmente com ganchos em S/Karabiner e fixações de fivela. Estes dispositivos de fixação são normalmente constituídos por 4 correias individuais fixadas a cada canto da cadeira de rodas.
6. Deve instalar as correias de fixação na estrutura principal da cadeira de rodas como indicado nos diagramas da página seguinte e não em quaisquer acessórios ou peças, p.ex. não à volta dos raios das rodas, dos travões ou apoios de pés.



7. As correias de fixação devem ser presas tão próximo quanto possível, a um ângulo de 45 graus, e apertadas com firmeza de acordo com as instruções do fabricante.

8. Os pontos de fixação da cadeira de rodas ou a estrutura ou componentes não devem ser alterados ou substituídos sem consultar o fabricante. Se não o fizer, coloca em risco a capacidade de transportar a cadeira de rodas Sunrise Medical num veículo.

9. Tanto o cinto de segurança pélvico e superior do tronco devem ser usados para segurar o ocupante para reduzir o risco de impactos na cabeça e peito com os componentes do veículo e reduzir o risco de ferimentos graves no utilizador e outros ocupantes do veículo. (Fig. B) O cinto de segurança superior do tronco deve ser instalada no pilar "B" do veículo - se não o fizer aumenta o risco de ferimentos abdominais graves no utilizador.

10. Deve instalar e posicionar sempre um sistema de encosto de cabeça durante o transporte (ver etiqueta do encosto de cabeça).

11. Os suportes da postura (os cintos pélvico, cintos de segurança) não devem ser usados para segurar o ocupante num veículo em movimento a não ser que indiquem que cumprem os requisitos especificados em ISO 7176-19:2001 ou SAE J2249.

12. A segurança do utilizador durante o transporte depende das diligências da pessoa que fixou as correias de fixação e para as quais deve ter recebido instruções e/ou formação adequada.

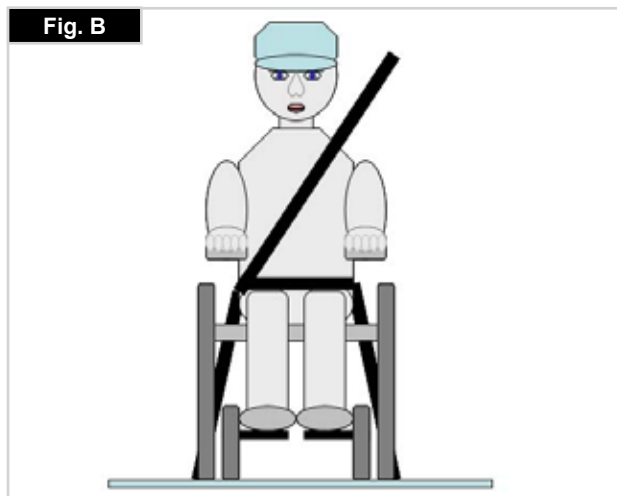
13. Sempre que possível, remova e guarde a cadeira de rodas e todo o equipamento auxiliar em local seguro. Por exemplo: Canadianas, almofadas soltas e tabuleiros.

14. O apoio de perna articulado/de elevação não deve ser usado na posição elevada quando a cadeira de rodas e o utilizador forem transportados e a cadeira de rodas for fixa usando os Dispositivos de Fixação de Transporte da Cadeira de Rodas e do Ocupante.

15. Os encostos reclináveis devem ser colocados na posição superior.

16. Deve accionar firmemente os travões manuais.

17. As correias de fixação devem ser instaladas no pilar "B" do veículo e devem ser mantidas afastadas do corpo pelos componentes da cadeira de rodas, como apoios de braços ou rodas.



INSTRUÇÕES PARA SEGURANÇA DO OCUPANTE

1. O cinto de segurança pélvico deve ser usado em baixo à frente da pélvis de modo a que o ângulo do cinto pélvico fique dentro da zona confortável de 30 a 75 graus na horizontal. Um ângulo mais acentuado (maior) na zona preferencial é desejável, ou seja próximo de, mas sem ultrapassar, 75°. (Fig. C)

2. O cinto de segurança superior do tronco deve ser instalado sobre o ombro e o peito como ilustrado na Fig. D e E. Deve ajustar os cintos de segurança com o maior aperto possível sem os tornar incómodos para o utilizador. Não deve torcer o sistema de fixação do cinto de segurança quando o usar. O cinto de segurança superior do tronco deve ser instalado sobre o ombro e ao longo do ombro como ilustrado na Fig. D e E.

3. Os pontos de fixação da cadeira são a estrutura lateral dianteira interna sob a roda giratória e a estrutura lateral traseira. As correias são fixas à volta das estruturas laterais na intersecção dos tubos da estrutura horizontal e vertical. (Ver Fig. G - K)

4. O símbolo de fixação (Fig. F) na estrutura da cadeira de rodas indica a posição das correias de fixação da cadeira de rodas. As correias são esticadas depois das correias dianteiras serem instaladas para segurar a cadeira de rodas.

PORTUGUÊS

Fig. C

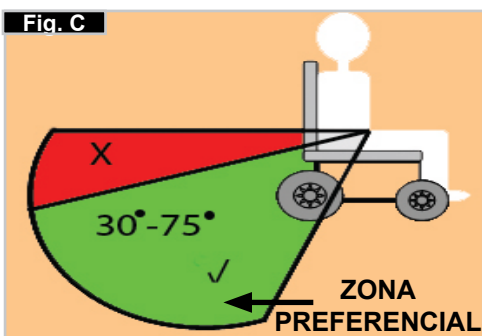


Fig. D

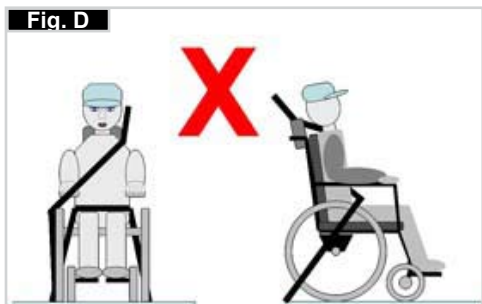


Fig. E

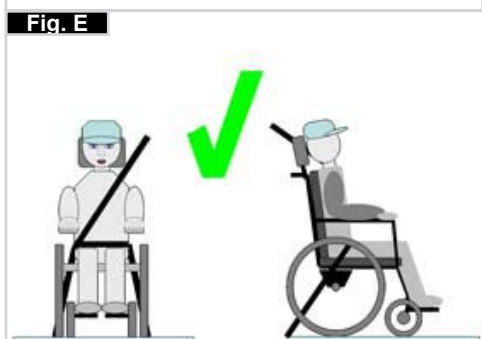


Fig. F



A POSIÇÃO DAS CORREIAS DE FIXAÇÃO NA CADEIRA DE RODAS

1. Localização das etiquetas dos pontos de fixação dianteiro e traseiro (Fig. G-H-I).
2. Posição do ponto de fixação e da etiqueta do ponto de fixação dianteira (Fig. G) e traseira (Fig.H-I), da cadeira de rodas.
3. Vista lateral das correias de fixação, (Fig. J).

Fig. G

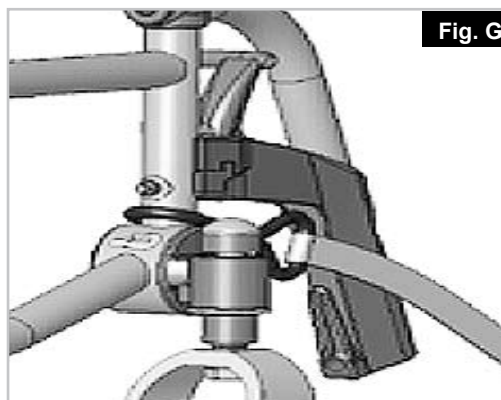


Fig. H

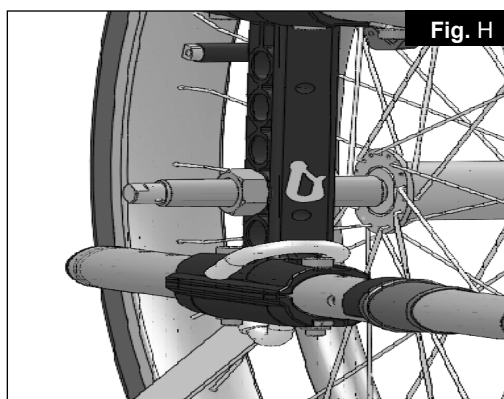


Fig. I

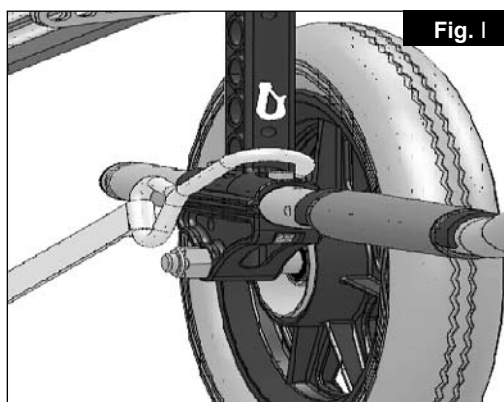


Fig. J



Manuseamento

DOBRAR

Primeiro, remova a almofada do assento e a capa do assento traseiro da cadeira de rodas e levante o apoio de pés (plataforma) ou os apoios de pés individuais. Segure a correia ou barras do assento no meio, pelas costas e puxe para cima. A cadeira de rodas dobra-se. Para dobrar a sua cadeira de rodas num espaço tão pequeno quanto possível, por exemplo, para guardar num carro, pode remover os apoios de pés (dependendo do modelo). Para este efeito, abra a lingueta da parte de fora e rode o apoio de pés para o lado. Depois, só tem que remover o apoio de pés da barra receptora (Fig. 1).



DESDOBRAR

Faça força para baixo sobre o tubo do assento (ver figura). A cadeira de rodas é desdobrada. Agora, encaixe os tubos do assento na posição na tela do assento. Pode facilitar esta operação inclinando ligeiramente a sua cadeira de rodas para o lado, aliviando assim o peso das rodas traseiras. **Cuidado para não prender os dedos na estrutura da barra transversal.** Reinstale o assento e a estrutura traseira do assento (Fig. 2).

Eixos de extracção rápida na roda traseira As rodas traseiras estão equipadas com eixos de extracção rápida. As rodas podem assim ser instaladas ou removidas sem ferramentas. Para remover uma roda, basta premir o botão de extracção rápida no eixo (1) e puxar a roda para fora do eixo (Fig. 3).



PRECAUÇÃO:

Mantenha premindo o botão de

extracção rápida no eixo quando inserir o eixo na armação para montar as rodas traseiras. Liberte o botão para fixar a roda na sua posição. O botão de extracção rápida deverá encaixar na sua posição original.

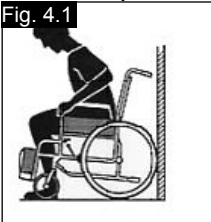
SENTAR-SE NA CADEIRA DE RODAS SEM ASSISTÊNCIA (FIG. 4.0)

- A cadeira de rodas deve ser apoiada contra uma parede ou mobília sólida;
- Os travões devem estar accionados;
- Os apoios de pés retrácteis devem estar dobrados para cima;
- O utilizador pode fazer-se descer na cadeira de rodas;
- Os apoios de pés podem ser empurrados para baixo e os pés apoiados neles em frente dos aros para os calcanhares.



SAIR DA CADEIRA DE RODAS SEM ASSISTÊNCIA (FIG. 4.1)

- Os travões devem estar accionados;
- Os apoios de pés retrácteis devem estar dobrados para cima;
- Com uma mão em cada apoio de braço, a pessoa deve dobrar-se ligeiramente para a frente para aplicar o peso do corpo na parte dianteira da cadeira e, com ambos os pés firmemente no chão, um pé bem atrás, levantar-se.



⚠ AVISO!

- Quando estiver de pé, não se apoie nos apoios de pés ou a cadeira de rodas pode tombar. É mais fácil e seguro sentar-se na cadeira de rodas se rodar os apoios de pés para cima e para fora do caminho ou se os remover da cadeira de rodas.
- Accione sempre os travões das rodas quando entrar ou sair da cadeira de rodas.

Opções – Tubos de Apoio

TUBOS DE APOIO

Os tubos de apoio são usados pelos assistentes para inclinar uma cadeira de rodas sobre um obstáculo. Basta empurrar o tubo com o pé para empurrar a cadeira de rodas, por exemplo, sobre um lancil ou degrau (Fig. 5).



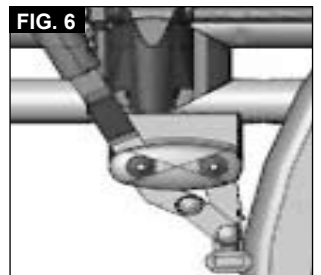
⚠ CUIDADO!

A Sunrise Medical recomenda fortemente a utilização de um tubo de apoio em modelos de rodas normais e também em qualquer modelo onde o assistente é um elemento predominante para a utilização da cadeira de rodas, porque as barras traseiras podem sofrer danos se as puxar para trás para inclinar a cadeira de rodas, para ultrapassar obstáculos.

Opções - Travões

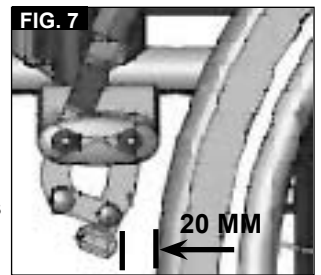
DISPOSITIVOS DE BLOQUEIO DAS RODAS

A sua cadeira de rodas está equipada com dois dispositivos de bloqueio de rodas. São aplicados directamente sobre os pneus. Para activar os dispositivos, empurre ambos os manípulos de bloqueio contra as peças de travagem. Para desbloquear a roda, puxe os manípulos para trás para a sua posição original.



A capacidade de travagem diminui com:

- Piso desgastado dos Pneus
- Pressão dos Pneus demasiado baixa
- Pneus húmidos
- Dispositivos de bloqueio das rodas incorrectamente ajustado.



Os dispositivos de bloqueio das rodas não foram concebidos para serem usados como travões de uma cadeira em movimento. Assim, os dispositivos de bloqueio das rodas nunca devem ser usados para travar uma cadeira de rodas em movimento. Use sempre os aros das rodas para travar. Certifique-se que o intervalo entre os pneus e dispositivos de bloqueio das rodas respeita as especificações apresentadas. Para reajustar, desaperte o parafuso e ajuste o intervalo apropriado. Depois, aperte de novo os parafusos (Fig. 6-7).

⚠ CUIDADO!

Após cada ajustamento das rodas traseiras, inspeccione o intervalo dos dispositivos de bloqueio das rodas e reajuste se necessário. Se montar o dispositivo de bloqueio das rodas demasiado próximo da roda, será necessário um maior esforço para o activar. This might cause the brake lever extension to break!

Se inclinar-se sobre o manípulo de extensão do dispositivo de bloqueio das rodas durante a transferência, poderá parti-lo! Água salpicada pelos pneus poderá causar o funcionamento incorrecto do dispositivo de bloqueio das rodas.



TRAVÕES DE TAMBOR

Os travões de tambor permitem a um auxiliar travar convenientemente e em segurança. Também pode ser accionados com a alavanca de bloqueio (1) para evitar o movimento da cadeira. A alavanca deve encaixar com um som nessa posição. Os travões de tambor não são influenciados pela pressão de ar dos pneus. Não é possível mover a sua cadeira de rodas quando os travões de tambor forem accionados (Fig. 8).

⚠ CUIDADO!

Os travões de tambor apenas podem ser ajustados por fornecedores autorizados.

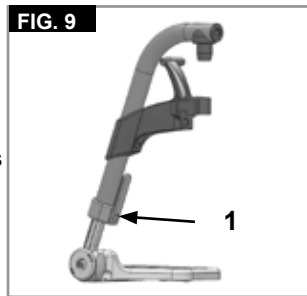
Opções – Apoios para pés

APOIOS PARA PÉS:

Os apoios para pés podem ser dobrados para cima para facilitar a entrada/saída da cadeira.

Comprimento da perna:

Para utilizadores com pernas mais longas, o suporte das pernas pode ser descido para o nível apropriado utilizando os parafusos (1). Desaperte os parafusos, empurre os tubos para a posição pretendida e depois aperte de novo os parafusos (veja a secção sobre a força de torção).



Deve existir sempre uma distância mínima de 2,5 cm entre os apoios de pés e o chão (Fig. 9).

Plataforma para os pés com ângulo ajustável

Isto pode ser ajustado para alterar o ângulo em relação ao chão.

Desaperte o parafuso, empurre para dentro, ajuste o ângulo e depois empurre para fora. Depois do ajustamento, aperte de novo o parafuso.

Certifique-se que em qualquer ajustamento, os parafusos são apertados corretamente (consulte a página de forças de torção). Certifique-se que mantém a distância mínima em relação ao chão (2,5 cm) (Fig. 10).



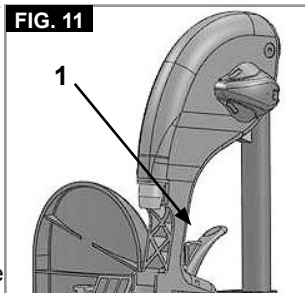
⚠ CUIDADO!

- Os apoios de pernas não devem ser utilizados para levantar ou transportar a cadeira de rodas.
- Quando se sentar ou sair da cadeira de rodas, não se apoie nos apoios de pés. Deve dobrá-los para cima antes e movê-los para o exterior tanto quanto possível.

APOIO DE PERNAS ELEVATÓRIO OPCIONAL

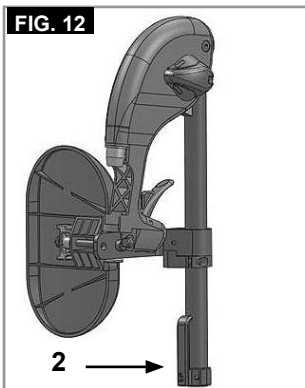
(Fig. 11-13)

Para remover, puxe a alavanca (1), rode o apoio de pés para fora e depois levante o apoio de pernas para fora.



AJUSTAMENTO DA ALTURA:

O comprimento da perna inferior pode ser ajustado infinitamente, desapertando o parafuso (2). Ajuste uma altura adequada e aperte de novo o parafuso.

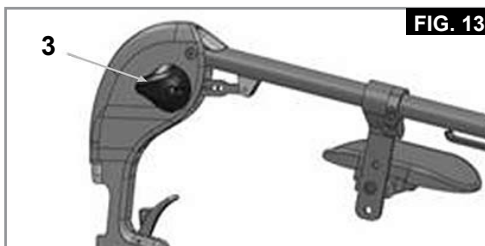


⚠ CUIDADO!

A distância entre a placa de pés e o chão deve estar a, pelo menos, 40 mm.

AJUSTAMENTO DO ÂNGULO:

Empurre a alavanca (3) para baixo com uma mão enquanto suporta o apoio de pernas com a outra mão para aliviar a carga. Quando atingir um ângulo adequado, largue a alavanca e o apoio de pernas fixa numa das posições predefinidas.



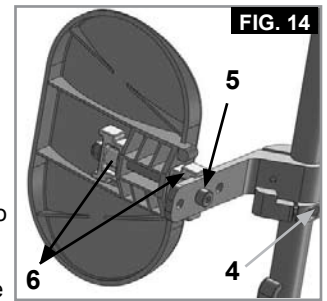
AJUSTAMENTO DA ALMOFADA PARA A COXA

(Fig. 14).

A almofada para a coxa pode ser ajustada da seguinte maneira: Altura: Desaperte o parafuso (4) e mova a peça de fixação para a posição pretendida. Também pode ajustar o ângulo rodando a peça de fixação.

Profundidade: Desaperte o parafuso (5) e mova a almofada para a coxa para a posição pretendida.

Largura: Desaperte o parafuso (5) e posicione os espaçadores (6) para obter a posição pretendida.



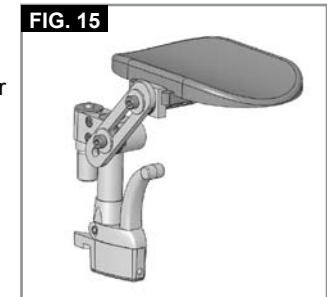
⚠ AVISO!

- Mantenha as mãos afastadas do mecanismo de ajuste entre a estrutura e as peças móveis do apoio de pés enquanto subir ou baixar o apoio de pés.
- Certifique-se sempre que os dispositivos de aperto estão fixos.
- Os apoios de pés não devem ser utilizados para levantar ou transportar a cadeira de rodas.
- Risco de entalar os dedos! Quando mover o apoio de pés para cima ou para baixo, não coloque os dedos no mecanismo de ajuste entre as peças móveis do apoio de pés.

SUPORTE PARA AMPUTADOS

(Fig. 15).

O suporte para amputados pode ser ajustado em qualquer direcção, se necessário.



Opções – Roda Giratória

RODAS GIRATÓRIAS, PLACAS DAS RODAS GIRATÓRIAS, FORQUETAS

A cadeira de rodas pode deslizar ligeiramente para a direita ou para a esquerda ou as rodas giratórias podem vibrar. As razões podem ser as seguintes:

- O movimento frontal e/ou inverso da roda não foi ajustado correctamente.
- O ângulo da roda giratória não foi ajustado correctamente.
- A pressão do ar da roda giratória e/ou roda traseira é incorrecta; as rodas não viram suavemente.

A cadeira de rodas não se move em linha recta se não ajustar correctamente as rodas giratórias. As rodas giratórias devem ser sempre ajustadas por um fornecedor autorizado. Os bloqueios das rodas devem ser inspecionados sempre que alterar a posição da roda traseira.

Opções – Adaptador da roda giratória

A altura do assento é determinada pela posição da roda giratória e da roda traseira. A altura do assento pode ser ajustada, alterando a posição das rodas traseiras e das rodas giratórias e usando espaçadores.



⚠ CUIDADO!

Depois de ajustar a altura do assento, deve apertar de novo todos os parafusos e deve reajustar o dispositivo de bloqueio da roda.

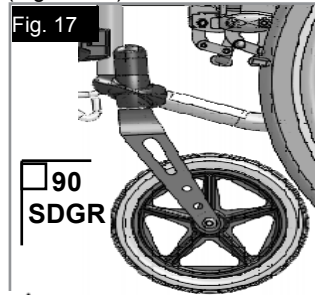
Opções – Adaptador da roda giratória >>>

NOTA:

Pode alterar o ângulo do eixo da roda giratória, alterando a posição da roda giratória/roda traseira. Isto deve ser aproximadamente. 90°.

AJUSTANDO O ÂNGULO DO EIXO DA RODA GIRATÓRIA:

Desaperte os parafusos (1), puxe o adaptador da roda giratória para fora, ajuste para um ângulo de 90° e depois reaperte os parafusos (Fig. 17-18).



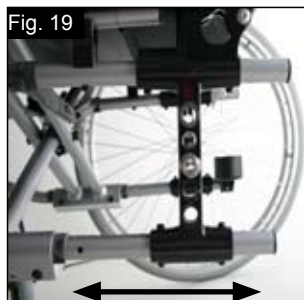
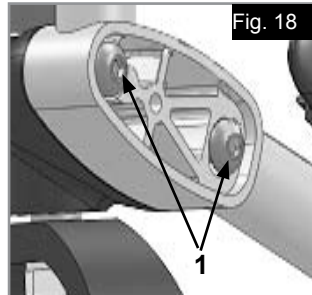
⚠ CUIDADO!

O ângulo do eixo da roda giratória deve ser igual em ambos os lados (confirme com as marcas).

POSIÇÃO DO ÂNGULO HORIZONTAL

A placa do eixo pode ser ajustada para a frente para maior capacidade de manobra ou para trás para maior estabilidade (Fig. 19).

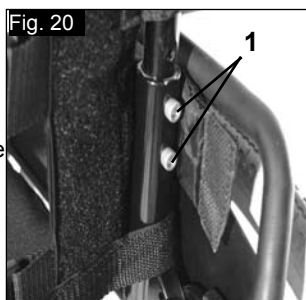
Quanto maior a base da roda, menor o risco da cadeira de rodas tombar.



Opções – Encosto

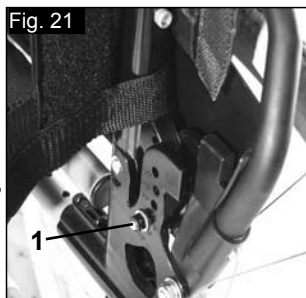
ENCOSTO DE ALTURA AJUSTÁVEL

A altura do encosto pode ser ajustada entre 2 ou 3 posições diferentes (em função do modelo) (41 cm, 43,5 cm e 46 cm). Desaperte e remova os parafusos (1)+(2) e ajuste o tubo do encosto para a altura pretendida. Aperte de novo os parafusos (Fig. 20).



ÂNGULO DO ENCOSTO AJUSTÁVEL

O ângulo do encosto pode ser ajustado para 6 posições diferentes (-5° para a frente, 0°, 5°, 10°, 15° e 20° para trás). Para ajustar o ângulo, remova o parafuso (1), ajuste para o ângulo pretendido e depois reaperte o parafuso (Fig. 21).



ÂNGULO DO ENCOSTO AJUSTÁVEL (7° - 30°)

Se empurrar ambas as alavancas simultaneamente (1), pode libertar o encosto e movê-lo para a posição pretendida.

Quando libertar as duas alavancas (1), o encosto fixa-se automaticamente (Fig. 22).



⚠ CUIDADO!

- Recomenda-se que o encosto ajustável em ângulo seja usado em conjunto com a extensão da base da roda.
- Recomenda-se o ajustamento do encosto ajustável em ângulo seja usado juntamente com os tubos anti-queda (distância máxima do chão 3 - 5 cm).
- Aconselhamos a utilização do encosto de ângulo ajustável com uma barra estabilizadora.

MEIA-RETRACÇÃO DO ENCOSTO

Abriu o encosto:

Para ajustar o encosto para a vertical, empurre a alavanca para cima e para a frente até os fixar.

⚠ AVISO!

Mantenha os dedos e outros objectos afastados do mecanismo de retracção quando dobrar o encosto para evitar ferimentos ou danos em objectos.

Dobrar o encosto:

O encosto pode ser dobrado para guardar a cadeira com mais facilidade.

⚠ CUIDADO!

Não use com carga porque pode partir o mecanismo.

Para dobrar o encosto, fique por detrás da cadeira de rodas, prima as duas pequenas alavancas (Fig. 23 - 24) posicionadas em cada lado do encosto (logo acima dos apoios de braços). Dobre o encosto para baixo.

CORREIA TRASEIRA AJUSTÁVEL

A correia traseira ajustável pode ser ajustada usando as várias correias (Fig. 25).

⚠ CUIDADO!

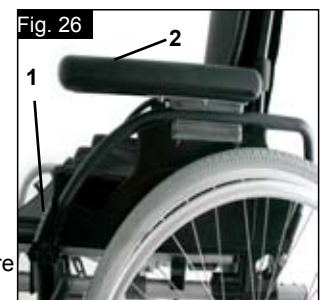
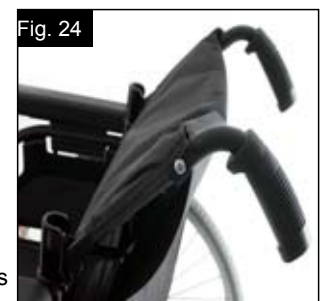
Não aperte em demasia a correia de tensão, caso contrário poderá interferir com o mecanismo de retracção da cadeira.

Opções – Protecção lateral

PROTECÇÃO LATERAL PADRÃO, RETRÁCTIL, REMOVÍVEL COM ALMOFADAS PARA BRAÇOS CURTAS OU LONGAS

A protecção lateral com rebordos dianteiros redondos permite-lhe ficar encostado a uma mesa. Para dobrar o apoio de braços para cima, empurre a alavanca (1), de modo a que a protecção lateral seja libertada (Fig. 26 + 27).

A altura do apoio de braços (2) pode ser ajustada, fixando o suporte do espaçador em várias posições. Para tal, desaperte os parafusos, mova o suporte do espaçador e aperte de novo os parafusos. O comprimento do apoio de braços pode ser ajustado, desapertando os parafusos (3), e depois movendo o apoio de braços para a posição pretendida e reapertando os parafusos (Fig. 27).



Opções – Protecção lateral >>>

⚠ CUIDADO!

Nem as proteções laterais, nem os apoios de braços devem ser utilizados para levantar ou transportar a cadeira de rodas.

⚠ CUIDADO!

Cuidado com os dedos quando ajustar a altura da almofada do braço.

PROTECÇÃO LATERAL, RETRÁCTIL, REMOVÍVEL COM APOIOS DE BRAÇOS CURTOS OU LONGOS, ALTURA AJUSTÁVEL

A altura do apoio de braços pode ser ajustada da seguinte maneira: Empurre a alavanca para baixo e mova o apoio de braços para a altura pretendida.

Liberte o manípulo e prima o apoio de braços (2) para baixo até a ouvir encaixar. Verifique sempre se as proteções laterais estão na posição correcta.

Para dobrar o apoio de braços para cima, empurre a alavanca (1), de modo a que a protecção lateral seja libertada.



O comprimento do apoio de braços pode ser ajustado, desapertando os parafusos (2), empurrando o apoio de braços para a posição pretendida e reapertando os parafusos (Fig. 28).

⚠ CUIDADO!

Nem as proteções laterais, nem os apoios de braços devem ser utilizados para levantar ou transportar a cadeira de rodas.

⚠ CUIDADO!

Quando usar uma roda traseira de 24", a almofada do braço deve ser movida a um nível para cima.

APOIO DE BRAÇOS DE ALTURA AJUSTÁVEL DE BASE ÚNICA

Para ajustar a altura, puxe a alavanca (1) e mova o apoio de braços para a altura pretendida. Depois, certifique-se que a alavanca (1) fica de novo bloqueada em posição. A remoção do apoio de braços é feita da mesma maneira.



Para remover completamente a protecção lateral, empurre a alavanca (2). Quando instalar a protecção lateral, a alavanca (2) também deve ser puxada.

Certifique-se sempre de que a protecção lateral se fixa correctamente na posição do receptor. (Fig. 29).

Opções – Tubos Anti-queda

TUBOS ANTI-QUEDA

Os tubos anti-queda oferecem segurança adicional para utilizadores inexperientes quando ainda estão a aprender a utilizar a cadeira de rodas. Os tubos impedem que a cadeira de rodas se incline para trás. O tubo anti queda deve ser inserido no tubo da estrutura até o primeiro dos dois botões de mola entrar no primeiro orifício do tubo da estrutura, (Fig. 30).



⚠ AVISO!

O ajustamento incorrecto dos tubos anti-queda aumenta o risco da cadeira se inclinar para trás. Deve dobrar os tubos anti-queda para cima quando subir ou descer obstáculos (como lancis) para evitar que toquem no chão e depois rodá-los para baixo para a posição normal.

NOTA: Não insira ambos os botões do tubo anti-queda no tubo da estrutura porque pode danificar os tubos anti-queda e causar a redução de eficácia. Empurrando o segundo botão de desbloqueio exposto, as rodas de segurança podem ser ajustadas para cima ou removidas. Deve existir sempre uma distância entre 3 cm e 5 cm entre a barra e o chão. Deve dobrar as rodas de segurança para cima quando subir ou descer obstáculos (como lancis) para evitar que toquem no chão. Depois, rode as rodas de segurança para baixo para a posição normal (Fig. 30).

⚠ AVISO!

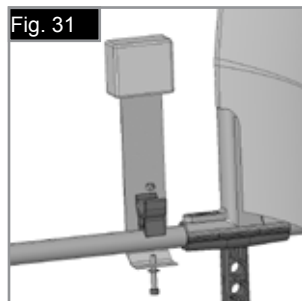
O ajustamento incorrecto dos tubos anti-queda aumenta o risco da cadeira se inclinar para trás.

Opções – Cinto de segurança

⚠ AVISO!

Antes de usar a sua cadeira de rodas verifique se o cinto de segurança está bem colocado e correctamente ajustado antes de usar.

O cinto de segurança está fixo à cadeira de rodas como indicado nas imagens. O cinto de segurança é constituído por 2 metades. São instaladas usando o parafuso de fixação de suspensão do assento instalado através do ilhó do cinto. O cinto é conduzido sob a parte de trás do painel lateral. (Fig. 31) Ajuste a posição do cinto de modo a que as fivelas fiquem no centro do assento. (Fig. 32)



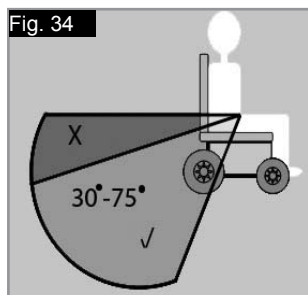
Ajuste o cinto de segurança de acordo com as necessidades do utilizador da seguinte forma:

Para aumentar o comprimento do cinto	Para reduzir o comprimento do cinto	✓
Tipo A	Tipo A	Tipo A
Tipo B	Tipo B	Tipo B
Conduza o cinto através dos ajustadores e da fivela macho para que o comprimento seja maior.	Conduza o cinto através da fivela macho e ajustadores.	Verifique se o cinto não está enrolado na fivela macho.

Opções – Cinto de segurança >>>

Quando apertado, verifique o espaço entre o cinto de segurança e o utilizador. Quando correctamente ajustado deverá ser possível enfiar a palma da mão entre o cinto e o utilizador. (Fig. 33)

Normalmente, o cinto de segurança deve ser fixo de modo a que as correias fiquem num ângulo aproximado de 45° e quando correctamente ajustado não deve deixar que o utilizador caia do assento. (Fig. 34)



	
	
<p>Para apertar a fivela: Empurre firmemente a fivela macho para a fivela fêmea.</p>	<p>Para abrir o cinto: Prima os lados expostos da fivela macho e empurre para o centro / prima o botão da fivela fêmea enquanto afasta cuidadosamente.</p>

SUGESTÃO PARA O CLIENTE

⚠ PERIGO!

- Não use apenas o cinto de segurança quando transportar a cadeira de rodas e o ocupante num veículo. Use o espaço de ocupante destinado e os dispositivos de fixação diagonais instalados no veículo.
- Antes de usar recomendamos que inspecione o seu cinto de segurança para garantir que está ajustado correctamente, sem qualquer obstrução ou desgaste e que a fivela encaixa com segurança.
- Se não garantir que o cinto de segurança está fixo e ajustado antes de o usar, poderá causar ferimentos graves ao utilizador. P.ex. um cinto demasiado solto permite ao utilizador escorregar na cadeira e sufocar.

MANUTENÇÃO:

Verifique o cinto de segurança e os componentes de fixação regularmente para detectar quaisquer sinais de desgaste ou danos. Substitua se necessário. Limpe o cinto de segurança com água quente, sabão e deixe secar.

⚠ PERIGO!

O cinto de segurança pélvico deve ser ajustado em função do utilizador como descrito anteriormente. A Sunrise Medical também aconselha a inspecionar o comprimento e instalação do cinto periodicamente para reduzir o risco do utilizador reajustar inadvertidamente o cinto com uma força excessiva. Em caso de dúvida sobre a utilização e operação do cinto de segurança fale com o seu médico, agente da cadeira de rodas, enfermeira ou assistente para obter ajuda.

Opções - Assento

CORREIA DE ASSENTO PADRÃO

A correia está equipada com uma fita de Velcro num dos lados, que permite o ajustamento simples da correia. Para ajustar a correia, dobre a cadeira para cima. Depois, puxe as tampas da cobertura dianteira para a frente, para fora da estrutura. A correia pode ser removida da estrutura. Desaperte a fita de Velcro e ajuste a correia. Inverta este procedimento para reinstalar a correia (Fig. 39)



⚠ CUIDADO!

- Para uma segurança adequada, pelo menos 50 % das superfícies de Velcro devem estar sempre em contacto umas com as outras.
- Não aperte em demasia a correia, caso contrário poderá interferir com o mecanismo de retracção da cadeira.

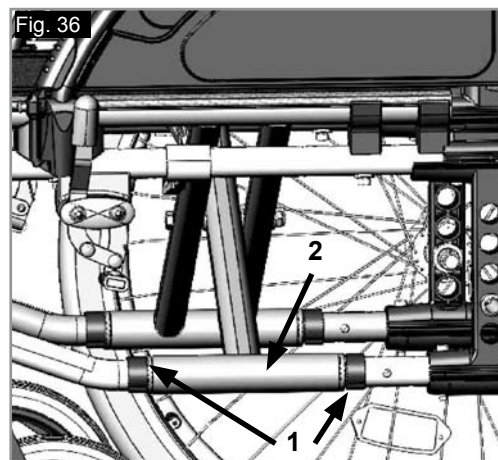
Opções – Profundidade do Assento

PROFUNDIDADE DO ASSENTO

Removendo os ganchos (1), a unidade de braçadeira cruzada (2) pode ser empurrada ao longo da estrutura, o que altera a profundidade do assento (em função da posição das barras traseiras).

Certifique-se que os ganchos (1) encaixam nos orifícios da estrutura existentes.

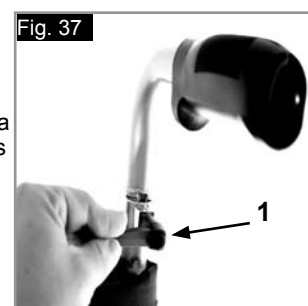
Para manter a estrutura tão compacta quanto possível, a profundidade do assento também pode ser ajustada usando as barras traseiras (41 – 46 cm em incrementos de 2,5 cm). Para tal, remova os parafusos (1 e 2) do suporte da barra traseira. Remova as rodas e os apoios de braços e verifique se a braçadeira cruzada está na posição pretendida (empurre a braçadeira cruzada como descrito em cima). Mova as barras traseiras para a posição pretendida e reaperte todos os parafusos. Mova a barra receptora dos apoios de braços para a posição pretendida (Fig. 36).



Opções – Manípulos de Pressão

PUNHOS PARA EMPURRAR DE ALTURA AJUSTÁVEL

Estes punhos são fixadas por pinos que impedem que descaiam acidentalmente. Libertando a alavanca de desbloqueio (1), pode ajustar os manípulos de pressão para a altura mais adequada para si. Após qualquer ajustamento da altura das pegas, empurre a alavanca de desbloqueio (1) até estar apertada (Fig. 37).



⚠ CUIDADO!

Se a alavanca não estiver fixa, podem sofrer ferimentos quando ultrapassar obstáculos.

Opções - Suporte da Canadiana

SUPORTE DA CANADIANA

Este dispositivo permite o transporte de canadianas directamente na cadeira de rodas. Possui uma correa de Velcro para segurar as canadianas ou outros acessórios (Fig. 38).



AVISO!

Nunca tente usar ou mesmo remover as canadianas ou outros acessórios enquanto conduz.

Opções - Mesa de terapia

MESA DE TERAPIA

A bandeja é uma superfície plana adequada para muitas actividades. Antes de utilizar uma bandeja, primeiro a largura do assento deve ser ajustada por um fornecedor autorizado. O utilizador deve estar sentado na cadeira de rodas durante este ajustamento (Fig. 39).

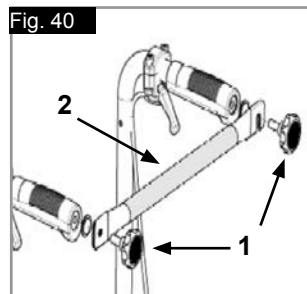


Opções - Barra Estabilizadora

BARRA ESTABILIZADORA

Abra o botão em estrela (1) e mova a barra estabilizadora (2) para fora do caminho antes de dobrar a cadeira.

Para preparar de novo a cadeira, inverta o procedimento anterior.



PERIGO!

- Antes de usar a cadeira de rodas, assegure-se que a barra estabilizadora e os botões em estrela estão em posição e estão apertados correctamente.

Opções - Rodas de Viagem

RODAS DE VIAGEM estabilizadora para levantar a cadeira!

Devem ser usadas **rodas de viagem** sempre que a sua cadeira de rodas for demasiado larga e se as rodas traseiras forem utilizadas (por exemplo, aviões, autocarros, etc.). Depois de remover as rodas traseiras com a ajuda dos eixos de extracção rápida, as **rodas de viagem** podem ser imediatamente usadas para continuar a mover-se. As **rodas de viagem** estão montadas de modo a ficarem aprox. 3 centímetros do chão quando não usadas. Assim, não dificultam o movimento quando conduzir, transportar ou inclinar a cadeira para ultrapassar obstáculos (por exemplo, lancis, degraus, etc.).



PERIGO!

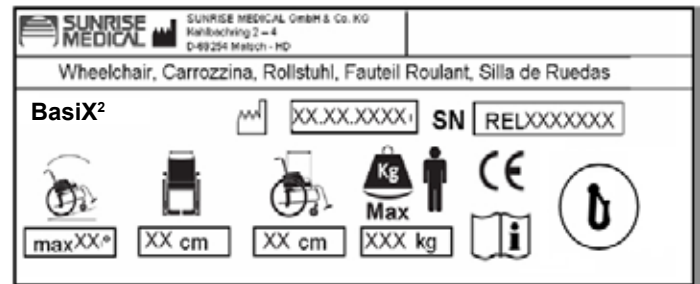
A sua cadeira de rodas não pode usar os dispositivos de bloqueio das rodas quando usar as rodas de viagem.

Placa de nome

Placas de nomes

A placa de nome encontra-se na estrutura do tubo em T ou no tubo da estrutura transversal. A placa de nome indica a designação exacta do modelo e outras especificações técnicas. Apresente a seguinte informação sempre que encomendar peças de substituição ou uma reclamação:

EXEMPLO



BasiX²
XXXXX-XXX

Nome do produto/Número SKU.



A inclinação máxima segura com tubos anti-queda depende das configurações da cadeira de rodas, postura e capacidades físicas do utilizador.



Largura do assento



Profundidade (Máximo).



Carga Máxima:



Símbolo CE



Guia do Utilizador



Testado para Colisões



Data de fabrico



Número de Série

Devido à nossa política de melhoria contínua na criação das nossas cadeiras de rodas, as especificações dos produtos podem variar ligeiramente dos exemplos ilustrados. Todos os pesos/dimensões e dados de desempenho são aproximados e apresentados apenas para orientação.

A Sunrise Medical respeita a Directiva de Dispositivos Médicos da UE 93/42/CEE



Todas as cadeiras de rodas devem ser usadas de acordo com a instruções do fabricante.

Sunrise Medical GmbH & Co.KG
Kahlbachring 2-4
69254 Malsch/Heidelberg
Alemanha
Tel.: +49 (0) 7253/980-0
Fax: +49 (0) 7253/980-111
www.sunrisemedical.com

Pneus e Montagem

PNEUS E MONTAGEM

Os pneus sólidos são padrão. Com pneus pneumáticos, certifique-se que mantém a pressão correcta dos pneus porque podem influenciar a performance da cadeira de rodas. Se a pressão for demasiado baixa, a resistência de movimento aumenta, sendo necessário mais esforço para que a cadeira se mova para a frente. Pressão demasiado baixa também afecta negativamente a capacidade de manobra. Se a pressão for demasiado alta, o pneu pode rebentar. A pressão correcta para um determinado pneu está impressa na superfície do próprio pneu (min. 3.5 bar).

Os pneus podem ser montados do mesmo modo que um pneu normal de bicicleta. Antes de instalar um novo tubo interno, deve sempre certificar-se que a base da jante e o interior do pneu não contêm objectos estranhos. Verifique a pressão depois de montar ou reparar um pneu. É vital para a sua segurança e para o desempenho da cadeira de rodas que a pressão de ar seja mantida e que os pneus estejam em boas condições.

Manutenção e Cuidado

INSPECÇÃO DE SEGURANÇA:

Como utilizador, será o primeiro a detectar possíveis defeitos. Assim, recomendamos que, antes de cada utilização, inspecione se:

a pressão dos pneus está correcta.
os travões funcionam correctamente.
todas as peças removíveis estão apertadas em segurança (por exemplo, apoios de braços, hangers do apoio de pés, eixos de extracção rápida...).

Se existir qualquer dano/defeito/ contacte o seu agente autorizado.

MANUTENÇÃO:

Inspeccione a pressão dos pneus periodicamente. Verifique periodicamente se os pneus estão desgastados e danificados, pelo menos uma vez por ano. Mude os pneus assim que detectar qualquer tipo de dano ou desgaste. Verifique periodicamente se a correia do assento e traseira está desgastada e danificada, pelo menos uma vez por ano. Mude esta peças assim que detectar qualquer tipo de dano ou desgaste. Verifique periodicamente se os componentes da estrutura e do encosto estão desgastados e danificados, pelo menos uma vez por ano. Mude esta peças assim que detectar qualquer tipo de dano ou desgaste. Verifique periodicamente se os travões estão desgastados e danificados, pelo menos uma vez por ano. Verifique se estão a funcionar correctamente e se são fáceis de usar. Mude os travões assim que detectar qualquer tipo de dano ou desgaste. Verifique periodicamente se todos os parafusos estão apertados (ver a secção sobre força de torção), pelo menos uma vez por ano. Todos os parafusos vitais para usar a cadeira de rodas em segurança têm porcas de segurança. As porcas de segurança devem ser usadas apenas uma vez e substituídas depois de usadas.

NOTA: Se forem apresentadas definições das forças de torção, recomendamos vivamente a usar um dispositivo de medição do binário, para confirmar se apertou com a força correcta. Use apenas produtos de limpeza domésticos suaves ao limpar a cadeira de rodas. Use apenas sabão e água quando limpar o estofado do assento e o cinto de segurança. Consoante a frequência e tipo de utilização, recomendamos que leve a sua cadeira de rodas a um agente autorizado, pelo menos uma vez por ano, para que seja inspeccionada por pessoal qualificado.



Areia, sal e água do mar podem danificar os rolamentos das rodas dianteiras e traseiras. Limpe e seque a cadeira de rodas cuidadosamente, depois dela ter estado exposta a estes elementos.

HIGIENE PARA REUTILIZAÇÃO:

Quando a sua cadeira for reutilizada, deve ser cuidadosamente preparada limpa e tratada com desinfectante, em todas as superfícies que entrem em contacto com o utilizador.

Se precisar de o fazer rapidamente, deve usar um desinfectante líquido, à base de álcool, adequado para produtos e equipamento médico. Preste atenção às instruções do fabricante do desinfectante que usar.

Resolução de Problemas

A cadeira de rodas guina para um dos lados

- Verifique a pressão dos pneus
- Verifique se a roda vira facilmente (rolamentos, eixo)
- Verifique o ângulo da roda giratória
- Verifique se ambas as rodas giratórias estão em contacto com o chão

As rodas giratórias começam a vibrar

- Verifique o ângulo da roda giratória
- Verifique se todos os parafusos estão apertados; aperte se necessário (Ver a secção sobre força de torção)
- Verifique se ambas as rodas giratórias estão em contacto com o chão

A cadeira de rodas chia e vibra

- Verifique se todos os parafusos estão apertados; aperte se necessário (Ver a secção sobre força de torção)
- Aplique uma pequena quantidade de óleo lubrificante nas zonas onde as peças móveis entram em contacto.

A cadeira de rodas move-se irregularmente

- Verifique o ângulo das rodas giratórias
- Verifique a pressão dos pneus
- Verifique se as rodas traseiras estão ajustadas de maneira diferente

Eliminação / Reciclagem de materiais

NOTA: Se receber a cadeira de rodas sem encargos, ela não lhe pertence. Se já não for necessário respeitar quaisquer instruções emitidas pela organização que forneceu a cadeira de rodas para que a possa devolver.

A seguinte informação descreve os materiais usados na cadeira de rodas em relação à eliminação ou reciclagem da cadeira de rodas e da respectiva caixa.

Normas específicas de eliminação de desperdícios ou de reciclagem podem ser aplicáveis a nível local e estas devem ser tidas em conta quando fizer os preparativos para eliminação. (Isto pode incluir a limpeza ou descontaminação da cadeira de rodas antes de eliminar).

Alumínio: Forquetas da roda giratória, rodas, estruturas laterais, apoios de braços, estrutura, apoios de pernas, manípulos de pressão

Aço: Dispositivos de fixação, Eixo QR

Plástico: Pegas, tampões dos tubos, rodas giratórias, Apoios para pés, almofadas de braços e rodas/pneus de 12"

Caixa: Saco de polietileno de baixa densidade, caixa de cartão

Estofado: Poliéster tecido com cobertura PVC e espuma modificação de combustão expandida.

A eliminação ou reciclagem deve ser feita através de um fornecedor autorizado ou local adequado próprio. Alternativamente, a sua cadeira de rodas pode ser devolvida ao fornecedor para eliminação.



Dados técnicos

Largura geral:

Com rodas padrão incluindo os aros das rodas, instalação próxima:
LA +19 cm
Com rodas com travões de tambor incluindo aros das rodas,
instalação próxima:
LA +21 cm

Dimensões quando fechada:

Com rodas padrão = 30 cm

CARGA MÁXIMA: 125 KG

CONSULTA TAMBÉM A PÁGINA 5

De acordo com EN12183: 2009 todas as peças listadas (assento - estofado do encosto, painel lateral, almofada do braço...) são à prova de fogo de acordo com EN 1021-2.

O declive seguro dinâmico depende da configuração da cadeira, das capacidades do utilizador e do estilo de condução. Uma vez que as capacidades do utilizador e estilo de condução não podem ser pré-determinados então o desnivelamento máximo seguro não pode ser pré-determinado. Assim, deve ser determinado pelo utilizador com a ajuda de um assistente para evitar cair. Aconselhamos vivamente a instalação de dispositivos anti-queda.

A cadeira de rodas é compatível com as seguintes normas:

- Requisitos e métodos de teste para forças estáticas, de impacto e de fadiga (ISO 7176-8)
- Requisitos para resistência de acordo com ISO 7176-16 (EN 1021-1)

Sem rodas padrão = 24 cm

Carga Máxima:

Até uma carga de 125 kg

Peso em kg:


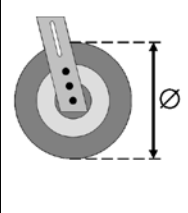
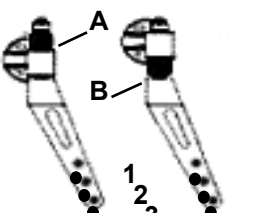
Transporte (sem apoios de pés, rodas, protecções laterais) 8,4 kg

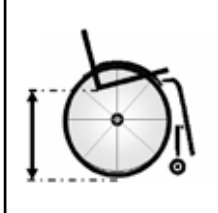
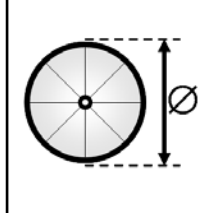
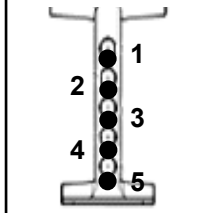
Apoio de pés (unidade): 0,8 kg

Protecção lateral padrão (unidade): 0,8 kg

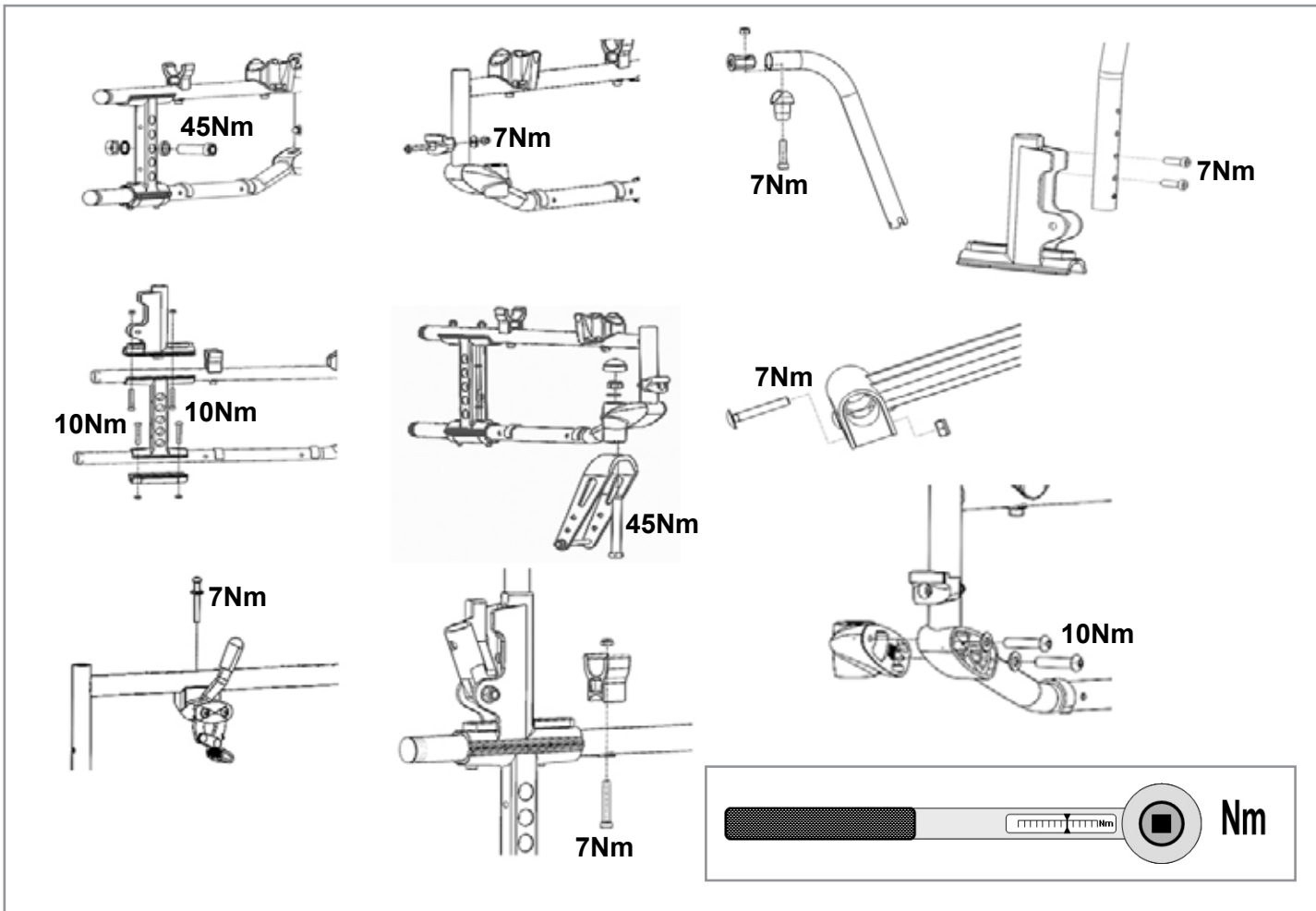
Rodas traseiras de 24" (sólidas) (par): 3,8 kg

Ajustamento da Altura do Assento

		
425 mm	8"	1A
450 mm	8"	2A 1B
480 mm	8"	3A 2B
505 mm	8"	3B
425 mm	6"	2A 1B
450 mm	6"	3A 2B
480 mm	6"	3B

		
400 mm	24"	1
425 mm	24"	2
450 mm	24"	12" 3
475 mm	24"	4
500 mm	24"	5

Força de Torção



EXCEPTO QUANDO ACONSELHADO DE
OUTRA MANEIRA, A FORÇA DE APERTO DOS
PARAFUSOS M6 É 7 NM.

Prefazione

Gentile utente,

ci congratuliamo con Voi per aver scelto un prodotto SUNRISE MEDICAL di alta qualità.

Questo manuale per l'uso contiene numerosi suggerimenti ed indicazioni che serviranno a rendere più familiare ed affidabile la Vostra carrozzina.

Desideriamo che siate soddisfatti dei nostri prodotti e dell'assistenza ricevuta. Sunrise Medical lavora costantemente allo sviluppo dei suoi prodotti; è quindi possibile che vengano apportate modifiche alla gamma di prodotti proposti per quanto riguarda la forma, la tecnologia e l'equipaggiamento. Per questa ragione, eventuali reclami basati sui dati e sulle figure riportati in questo manuale d'uso non saranno accettati.

Il sistema di gestione di SUNRISE MEDICAL è certificato secondo gli standard ISO 9001, ISO 13485 e ISO 14001.



In qualità di fabbricante, SUNRISE MEDICAL dichiara che le carrozzine sono conformi alla linea guida 93/42/CEE modificata dalla direttiva 2007/147/CE.

Inoltre nei crash test soddisfano i requisiti prestazionali di ISO 7176-19.

Per qualsiasi domanda sull'uso, la manutenzione o la sicurezza della Vostra carrozzina Vi preghiamo di rivolgerVi al rivenditore autorizzato di prodotti SUNRISE MEDICAL della Vostra zona.

Se nella Vostra zona non è presente un rivenditore autorizzato, oppure se avete domande, potete contattare SUNRISE MEDICAL per iscritto o per telefono (gli indirizzi per i contatti si trovano nell'ultima pagina).

Sunrise Medical Srl
Via Riva 20, Montale
29122 Piacenza
Italia
Tel.: +39 0523 573111
www.SunriseMedical.com

Annotare l'indirizzo e il numero di telefono del rivenditore autorizzato nello spazio riportato di seguito.
In caso di guasto rivolgersi immediatamente al rivenditore autorizzato fornendo tutti i dettagli pertinenti in modo che possa trovare facilmente una soluzione.



IMPORTANTE:
PRIMA DI UTILIZZARE LA CARROZZINA,
LEGGERE ATTENTAMENTE IL PRESENTE
MANUALE.

Spiegazione dei simboli



AVVERTIMENTO!

Messaggi di avvertimento relativi a possibili rischi di incidente grave o morte.



AVVERTENZA!

Messaggi di avvertimento relativi a possibili rischi di lesioni.



ATTENZIONE!

Messaggi di avvertimento relativi a possibili danni tecnici.

NOTA:

Informazioni per il funzionamento del prodotto.

Sommario

Prefazione	90
Spiegazione dei simboli	90
Sommario	90
Utilizzo	90
Area di applicazione	90
Note generali sulla sicurezza e limitazioni di guida	91
Garanzia	92
Trasportabilità	93
Uso	95
Opzioni – Salicordoli	95
Opzioni - Freni	95
Opzioni - Pedane	95
Opzioni - Ruote anteriori	96
Opzioni - Ruota anteriore, adattatore	96
Opzioni - Schienale	97
Opzioni – Protezione laterale	97
Opzioni – Rutine antiribaltamento	98
Opzioni – Cintura pelvica	98
Opzioni - Sedile	99
Opzioni – Profondità del sedile	99
Opzioni – Manopole di spinta	99
Opzioni - Portastampelle	100
Opzioni - Tavolino	100
Opzioni - Barra stabilizzatrice	100
Opzioni - Rutine da transito	100
Targhetta di identificazione	100
Copertoni e montaggio dei pneumatici	101
Manutenzione e cura	101
Risoluzione dei problemi	101
Smaltimento / Riciclaggio dei materiali	101
Dati tecnici	102
Regolazione dell'altezza della seduta	102
Coppia di serraggio	103

Utilizzo

Questa carrozzina è destinata esclusivamente all'utilizzo, al chiuso e all'aperto, da parte di utenti non in grado di camminare o con mobilità limitata, su superfici asciutte, piane e solide, spinta dall'utente stesso o da un accompagnatore.

La portata massima (rappresentata dal peso dell'utente più il peso di eventuali accessori montati sulla carrozzina e di oggetti trasportati dall'utente) è indicata sull'etichetta del numero di serie, situata sulla crociera o sulla barra stabilizzatrice sotto il sedile.

La garanzia è valida soltanto se il prodotto viene impiegato alle condizioni prescritte e secondo le destinazioni d'uso specifiche. La durata prevista della carrozzina è 5 anni. NON usare o montare componenti di altri produttori sulla carrozzina a meno che non siano stati approvati ufficialmente da Sunrise Medical.

Area di applicazione

La varietà dell'equipaggiamento e la struttura modulare consentono l'impiego della carrozzina da parte di utenti non in grado di camminare o con mobilità limitata a causa di:

- Paralisi
- Perdita di uno o di entrambi gli arti inferiori (amputazione)
- Difetti/Deformità degli arti inferiori
- Contratture/Danni articolari
- Malattie di tipo cardiaco o circolatorio, disturbo dell'equilibrio o cachessia. È adatta anche per persone più anziane con forza sufficiente nella parte superiore del corpo.

Per la scelta del modello, occorre anche considerare la statura e il peso corporeo, le condizioni psicofisiche, l'età dell'utente e l'ambiente in cui vive.

Note generali sulla sicurezza e limitazioni di guida

La carrozzina è stata progettata e costruita per garantire la massima sicurezza dell'utente. Tutte le norme sulla sicurezza vigenti a livello internazionale vengono strettamente osservate se non addirittura superate.

Ciononostante l'utente può trovarsi in situazioni di pericolo se la carrozzina viene utilizzata in modo non appropriato. Per garantire la Vostra sicurezza, è assolutamente necessario rispettare le seguenti regole.

Modifiche o regolazioni eseguite in modo errato o da personale non autorizzato aumentano il rischio di incidenti. Quali utenti di una carrozzina, Voi prendete parte alla circolazione stradale. Per questo motivo desideriamo ricordarVi che avete l'obbligo di rispettare le regole vigenti sulla circolazione stradale.

Se usate la carrozzina per la prima volta, guidate con prudenza. Familiarizzate con la nuova carrozzina.

Prima di ogni spostamento, effettuare controlli sulle parti seguenti:

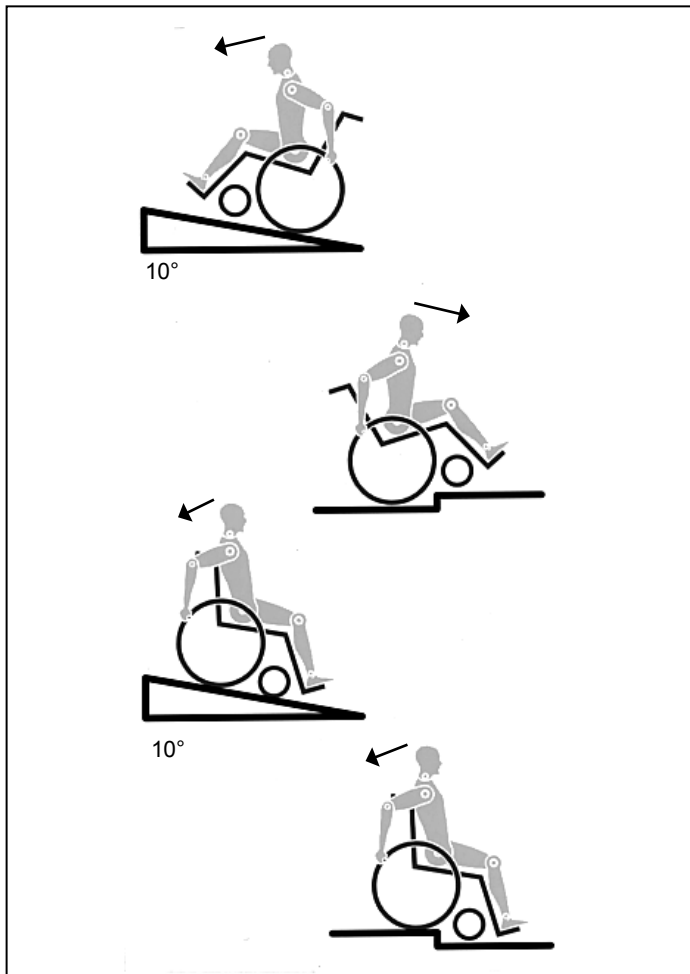
- assi fissi o ad estrazione rapida sulle ruote posteriori
- velcro sulla superficie della seduta e sullo schienale
- copertoni, pressione dei pneumatici e freni.

Prima di procedere ad una qualsiasi modifica delle regolazioni, è importante leggere il relativo capitolo del manuale d'uso.

È possibile che durante percorsi in salita o in discesa la carrozzina possa correre il rischio di ribaltarsi a causa di buche nel terreno o di un fondo irregolare. Per salire avanti su un gradino o percorrere una salita, consigliamo di piegare il corpo in avanti.

AVVERTIMENTO!

- L'utente e gli oggetti eventualmente trasportati sulla carrozzina non devono MAI superare la portata massima di 125 kg. Se si supera la portata massima, la carrozzina può danneggiarsi oppure l'utente può cadere, ribaltarsi o perdere il controllo e causare così lesioni gravi a se stesso o ad altre persone.
- In condizioni di oscurità, si raccomanda di indossare indumenti chiari o con applicazioni riflettenti per essere meglio visibili. Controllare che i catarifrangenti applicati sui lati e sul retro della carrozzina siano ben visibili.
- Si raccomanda anche di montare un fanale.



AVVERTIMENTO!

- Per evitare cadute e situazioni pericolose, esercitarsi inizialmente su un terreno pianeggiante con buona visibilità.
- Non utilizzare l'appoggiapiedi per salire o scendere dalla carrozzina.
- Prima dell'operazione, ribaltare la pedana e ruotarla il più possibile verso l'esterno. Mettersi sempre il più vicino possibile al luogo dove ci si vuole sedere.
- Utilizzare la carrozzina sempre con attenzione. Ad esempio, non cercare di superare un ostacolo (uno scalino o il bordo di un marciapiede) senza frenare ed evitare le buche.
- I freni non sono stati progettati per rallentare la carrozzina. Essi assicurano che le ruote della carrozzina non si muovano in modo inaspettato quando la carrozzina è ferma. Se ci si ferma su una superficie irregolare, azionare sempre i freni per evitare il movimento non desiderato della carrozzina. Ricordiamo di azionare entrambi i freni al fine di evitare il ribaltamento della carrozzina.
- Se viene modificato il centro di gravità, osservare con attenzione come si comporta la carrozzina, ad esempio su pendii, superfici inclinate, pendenze di ogni tipo o quando si superano degli ostacoli. Durante questa operazione, chiedere l'aiuto di un assistente.
- In caso di regolazioni estreme (ad es. se la carrozzina è regolata con le ruote posteriori molto in avanti) e l'utente ha una postura errata, la carrozzina può ribaltarsi anche su una superficie piana.
- Sporgere il tronco in avanti se si sta percorrendo una salita o si deve salire un gradino.
- Sporgere il tronco all'indietro se si sta percorrendo una discesa o si deve scendere da un gradino. Non tentare di salire o scendere diagonalmente.
- Evitare l'uso delle scale mobili, in quanto si potrebbero subire lesioni gravi in caso di caduta.
- Non usare la carrozzina su pendii > 10°. La pendenza superabile in movimento dipende dalla configurazione della carrozzina, dalle capacità dell'utente e dallo stile di guida. Dal momento che non è possibile conoscere in anticipo le capacità dell'utente e il suo stile di guida, la pendenza superabile massima è un parametro che non può essere definito in anticipo e deve pertanto essere determinata dall'utente con l'aiuto di un accompagnatore per evitare di cadere. Si raccomanda agli utenti inesperti di montare le ruotine antiribaltamento.
- È possibile che durante percorsi in salita o in discesa la carrozzina possa correre il rischio di ribaltarsi a causa di buche nel terreno o di un fondo irregolare.
- Non usare la carrozzina su terreni fangosi o ghiacciati.
- Non usare la carrozzina in aree vietate ai pedoni.
- Per evitare lesioni alle mani non infilare le dita tra i raggi o tra la ruota posteriore e il freno durante la guida.
- In particolare, quando si utilizzano corrimani in metallo leggeri, le dita si surriscaldano facilmente se si frena ad una velocità elevata o su lunghe discese.
- Per salire le scale, chiedere assistenza. Utilizzare gli ausili eventualmente disponibili, ad esempio rampe o ascensori. Se questi ausili non sono disponibili, la carrozzina deve essere inclinata e spinta (mai sollevata) lungo la scala da due persone. Si raccomanda agli utenti di peso superiore ai 100 kg di evitare questa manovra di trasferimento. Se sulla carrozzina sono montate le ruotine antiribaltamento assicurarsi che siano regolate in modo che non urtino contro i gradini per evitare cadute. Se sulla carrozzina sono montate le ruotine antiribaltamento assicurarsi che siano regolate in modo che non urtino contro i gradini per evitare cadute.
- Assicurarsi che l'accompagnatore tenga la carrozzina utilizzando solo le parti ben fissate. Non usare parti rimovibili (p. es. gli appoggiapiedi o le spondine)

AVVERTIMENTO!

- Quando si utilizza una rampa, assicurarsi che le ruotine antiribaltamento siano posizionate in modo da non essere di intralcio.
- Su terreni impervi o in fase di trasferimento (ad esempio in auto) azionare i freni per bloccare la carrozzina.
- Se e quando possibile, durante il trasporto in un veicolo adeguato per il trasporto di disabili, usare il sedile e il sistema di ritenuta del veicolo. Questo è il solo modo per garantire la massima sicurezza agli occupanti in caso di incidente.
- A seconda del diametro e della regolazione delle ruote anteriori nonché del centro di gravità, le ruote anteriori possono vibrare a velocità elevate e quindi bloccarsi causando il ribaltamento della carrozzina. Assicurarsi pertanto che le ruote anteriori siano regolate correttamente (vedere la sezione "Ruote anteriori").
- In particolare su un pendio viaggiare a velocità ridotta e non utilizzare la carrozzina senza frenarla. Gli utenti inesperti devono utilizzare le ruotine antiribaltamento.
- Le ruotine antiribaltamento impediscono alla carrozzina di ribaltarsi accidentalmente all'indietro. Non utilizzarle mai al posto delle ruote da transito o per trasportare un utente in carrozzina senza le ruote posteriori.
- Per raccogliere oggetti situati davanti, di lato o dietro la carrozzina, non sporgersi troppo dalla carrozzina perché se si cambia il centro di gravità si rischia di cadere o ribaltarsi. Il peso supplementare di uno zaino o altri oggetti appesi ai tubi dello schienale può influire sulla stabilità della carrozzina nella parte posteriore, specialmente quando si usa uno schienale reclinabile. Questo può causare il ribaltamento all'indietro della carrozzina con conseguente rischio di lesioni.
- Per gli utenti con amputazione sopra il ginocchio utilizzare le ruotine antiribaltamento.
- Prima di partire, controllare la pressione dei pneumatici. La pressione delle ruote posteriori deve essere almeno 3,5 bar (350 kPa). La pressione massima è indicata sul pneumatico. I freni funzionano soltanto con un'adeguata pressione dei pneumatici ed una corretta regolazione (vedere il capitolo "Freni").
- Se il rivestimento della seduta o dello schienale risultasse danneggiato, sostituirlo immediatamente.
- Fare attenzione ad evitare il contatto con il fuoco, in particolare con sigarette accese.
- Se la carrozzina è esposta alla luce diretta del sole / a temperature fredde per un lungo periodo di tempo, alcune parti (per es. telaio, pedane, freni e spondine) potrebbero riscaldarsi (>41 °C) o raffreddarsi (<0°) troppo.
- Controllare sempre che gli assi ad estrazione rapida sulle ruote posteriori, se presenti, siano montati correttamente e bloccati (i cuscinetti a sfera bloccanti devono essere visibili completamente attraverso il manicotto dell'asse). Se il pulsante dell'asse ad estrazione rapida non è premuto, la ruota posteriore non può essere rimossa.

ATTENZIONE!

- L'efficienza del freno, come anche la tenuta generale su strada, dipendono dalla pressione dei pneumatici. La carrozzina si manovra molto meglio e più facilmente quando le ruote posteriori sono gonfiate correttamente, entrambe alla stessa pressione.
- Controllare lo stato dei battistrada dei pneumatici!
- Quando si circola su strade pubbliche, si deve rispettare il codice di circolazione stradale.
- Fare sempre attenzione quando si utilizza o si regola la carrozzina!
- Le regolazioni che richiedono l'uso di utensili devono essere sempre eseguite da un tecnico autorizzato.
- Pulire la carrozzina regolarmente per evitare la formazione di ruggine e la corrosione salina.
- Assicurarsi che i rivetti, i dadi e i bulloni siano ben stretti e che i componenti della carrozzina non rischiano di staccarsi.

ATTENZIONE!

- Fare attenzione a non rimanere intrappolati con le dita nelle parti mobili. Maneggiare con cura.
- I prodotti illustrati e descritti nel presente manuale possono essere leggermente diversi nei dettagli dal modello in vostro possesso. Tuttavia tutte le istruzioni sono pertinenti, a prescindere dalle differenze nei dettagli.
- Il produttore si riserva il diritto di alterare senza preavviso i pesi, le misure e altri dati tecnici riportati nel presente manuale. Tutte le cifre, le misure e le capacità indicate nel presente manuale sono approssimative e non costituiscono delle specifiche.

Durata

La durata prevista di questo prodotto è 5 anni, sempre che: venga usato nel rigido rispetto dell'uso al quale è destinato vengano soddisfatti tutti i requisiti di assistenza e manutenzione previsti.

Garanzia

GARANZIA

QUESTO NON HA ALCUN EFFETTO SUI VOSTRI DIRITTI LEGALI.

Condizioni della garanzia

1) La riparazione o la sostituzione delle parti in garanzia saranno eseguite da un tecnico o da un rivenditore autorizzato Sunrise Medical.

2) Qualora si rendesse necessario fare esaminare il prodotto durante il periodo di validità della garanzia, avvisare immediatamente il rivenditore autorizzato Sunrise Medical, fornendo tutte le informazioni relative al problema verificatosi. Nel caso in cui l'utente si trovi in una località lontana dalla sede del rivenditore Sunrise Medical di riferimento, la riparazione o la sostituzione prevista dalle condizioni di garanzia potrà essere eseguita da un altro rivenditore designato da Sunrise Medical.

3) Se è necessario fare riparare o sostituire una parte qualsiasi della carrozzina in seguito a un difetto di materiale o di fabbricazione specifico, entro 24 mesi dalla data di acquisto dell'acquirente originale, e sempre che il prodotto sia ancora di sua proprietà, la parte o le parti saranno riparate o sostituite gratuitamente se inviate al rivenditore autorizzato.
Nota: questa garanzia non è trasferibile.

4) Per qualsiasi componente riparato o sostituito, l'utente beneficerà di queste disposizioni per il periodo rimanente della garanzia applicabile alla carrozzina.

5) I componenti sostituiti dopo la scadenza della garanzia originale sono coperti per altri 12 mesi.

6) Le parti di consumo deperibili non saranno coperte da garanzia durante il normale periodo di garanzia a meno che non presentino chiari segni di logorio eccessivo dovuto direttamente a un difetto di produzione. Queste parti includono, ma non si limitano a: rivestimento di stoffa, pneumatici, camere d'aria e parti simili.

7) Le condizioni della garanzia riportate sopra sono valide per tutte le parti del prodotto, per i modelli acquistati a prezzo pieno.

8) In circostanze normali, non si accetta alcuna responsabilità qualora sia stato necessario riparare o sostituire il prodotto come risultato diretto dei seguenti fattori:

- a) Il prodotto o un suo componente non è stato mantenuto in buono stato, o non sono stati effettuati i necessari interventi di manutenzione, secondo le raccomandazioni del produttore, come indicato nel Manuale d'uso e/o nel Manuale tecnico. Non sono state usate solo parti originali.
- b) Il prodotto, o parte di esso, ha subito dei danni a causa di negligenza, incidente o uso improprio.
- c) Il prodotto, o parte di esso, è stato alterato rispetto alle specifiche del produttore, o le riparazioni sono state eseguite prima di aver avvisato il tecnico autorizzato.
- d) Il prodotto presenta segni di corrosione dovuti ad una cattiva manutenzione

Trasportabilità

⚠️ AVVERTIMENTO!

Il rischio di gravi lesioni o di decesso aumenta pericolosamente se questa raccomandazione viene ignorata.

Trasporto della carrozzina su un veicolo:

Una carrozzina fissata su un veicolo non fornisce lo stesso livello di protezione e sicurezza del sedile del veicolo stesso. Si raccomanda di utilizzare sempre per l'utente il sedile del veicolo. Poiché non è sempre possibile trasferire l'utente sul sedile del veicolo, qualora sia necessario trasportare l'utente seduto in carrozzina, attenersi alle istruzioni seguenti:

1. Verificare che il veicolo sia dotato dell'equipaggiamento adatto per il trasporto di un passeggero seduto in carrozzina ed assicurarsi che le modalità di accesso al veicolo siano idonee al tipo di carrozzina. Il pianale del veicolo deve avere la resistenza necessaria per sostenere il peso complessivo dell'utente, della carrozzina e degli accessori.

2. Attorno alla carrozzina deve essere disponibile uno spazio sufficiente per consentire un facile accesso per agganciare, stringere e sganciare le cinghie di ancoraggio della carrozzina e le cinghie di ritenuta per l'utente.

La carrozzina occupata deve essere rivolta in avanti e fissata con la cinghia di ancoraggio della carrozzina e le cinghie di ritenuta per l'utente (sistemi WTORS che soddisfano i requisiti dello standard ISO 10542 o SAE J2249) in conformità alle istruzioni del produttore dei WTORS.

4. L'utilizzo della carrozzina in altre posizioni, all'interno di un veicolo non è stato testato. Ad esempio, non trasportare mai la carrozzina rivolta lateralmente (Fig. A).

5. La carrozzina deve essere fissata con un sistema di ritenuta ad ancoraggio a norma ISO 10542 o SAE J2249 con cinghie anteriori non regolabili e cinghie posteriori regolabili dotate generalmente di fermi Karabiner/ganci a S e supporti di fissaggio con fibbia e linguetta. Questi sistemi di ritenuta comprendono normalmente 4 cinghie separate da agganciare ciascuna ad un angolo della carrozzina.

6. Le cinghie di ancoraggio devono essere fissate al telaio centrale della carrozzina, come illustrato nell'immagine nella pagina seguente, e non ad altri attacchi o accessori, ad es. non attorno ai raggi delle ruote, ai freni o agli appoggiatesta.

7. Agganciare le cinghie di ancoraggio in modo che l'inclinazione sia il più vicino possibile a un angolo di 45° e stringerle bene seguendo le istruzioni del fabbricante.

8. Non effettuare alterazioni o sostituzioni dei punti di fissaggio o della struttura, del telaio o dei componenti della carrozzina senza consultare il fabbricante. La mancata osservanza di questa avvertenza farà sì che la carrozzina Sunrise Medical non sia più considerata idonea al trasporto su un veicolo a motore.

9. Usare sia la cintura pelvica sia la cintura toracica per assicurare l'utente e ridurre la possibilità di impatto della testa e del torace con i componenti del veicolo e il conseguente grave rischio di lesioni all'utente e agli altri occupanti del veicolo. (Fig. B) La cintura toracica deve essere fissata al montante "B" del veicolo; la mancata osservanza di questa istruzione può aumentare il rischio di gravi lesioni addominali all'utente.

10. Installare un appoggiatesta idoneo per il trasporto (si veda l'etichetta sull'appoggiatesta) e posizionarlo sempre adeguatamente durante il trasporto.

11. Non utilizzare come sistemi di ritenuta in un veicolo in movimento supporti posturali per l'utente (cinghie pelviche, cinture pelviche) che non siano etichettati a norma dei requisiti specificati nello standard ISO 7176-19:2001 o SAE J2249.

12. La sicurezza dell'utente durante il trasporto dipende dall'accuratezza impiegata nell'assicurare le cinghie di ancoraggio. Questa operazione deve essere eseguita da persone che abbiano ricevuto adeguate istruzioni e/o addestramento per l'uso.

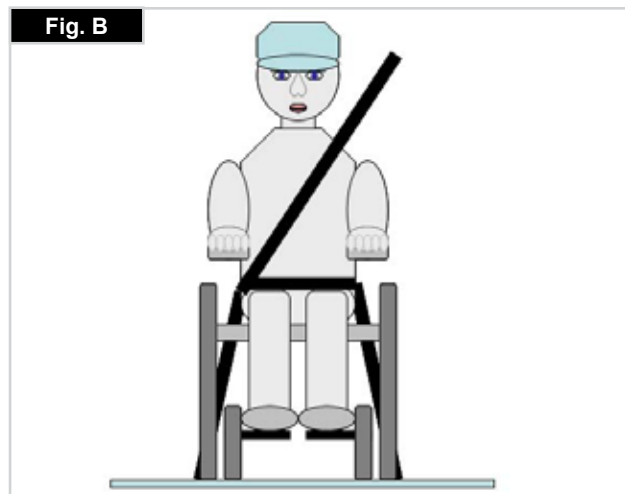
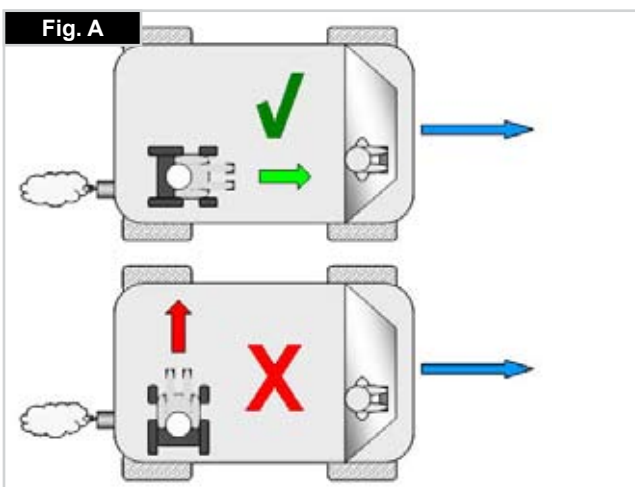
13. Quando possibile, rimuovere e riporre tutta l'attrezzatura ausiliaria della carrozzina, per esempio: portastampelle, cuscini e tavolini.

14. La pedana articolata/elevabile non deve essere usata in posizione elevata durante il trasporto di carrozzina e utente, con la carrozzina fissata mediante i sistemi di ritenuta idonei.

15. Se lo schienale è reclinato, riportarlo in posizione verticale.

16. Il freno deve essere attivato.

17. Fissare i sistemi di ritenuta al montante "B" del veicolo e assicurarsi che tra le cinture e il corpo non vi siano componenti della carrozzina, come braccioli o ruote.



Trasportabilità >>>

ISTRUZIONI PER I SISTEMI DI RITENUTA DELL'OCCUPANTE:

1. Indossare la cintura pelvica bene in basso, contro il bacino, in modo che l'angolo in inclinazione sia compreso tra 30 e 75 gradi rispetto al piano orizzontale.

Si consiglia di regolare la cintura in modo che l'angolo sia il più vicino possibile a 75 gradi, ma non li superi. (Fig. C)

2. Far passare la cintura toracica sopra la spalla e lungo il torace come illustrato nelle Figure D ed E

Stringere le cinture di ritenuta il più possibile, assicurando al contempo il comfort dell'utente.

Assicurarsi che le cinture di ritenuta non si attorciglino durante l'uso.

Far passare la cintura di ritenuta della parte superiore del tronco sopra la spalla e lungo il torace come illustrato nelle Figure D ed E.

3. I punti di attacco alla carrozzina sono la parte laterale anteriore interna, appena sopra la ruota anteriore, e la parte laterale posteriore del telaio. Le cinghie sono fissate intorno alle parti laterali del telaio, al punto di intersezione tra i tubi orizzontali e verticali. (Vedere Figg. G - K)

4. Il simbolo di ancoraggio (Fig. F) sul telaio della carrozzina indica la posizione delle cinture di ritenuta. Le cinghie posteriori devono essere fissate al punto di ancoraggio delle cinghie anteriori per

POSIZIONAMENTO DELLE CINGHIE DI ANCORAGGIO SULLA CARROZZINA:

1. Posizione delle etichette di ancoraggio anteriori e posteriori (Fig. G-H-I).

2. Posizione delle cinghie di ancoraggio anteriore (Fig. G) e posteriore (Fig. H-I) e dell'etichetta di ancoraggio sulla carrozzina.

3. Vista laterale delle cinghie di ancoraggio, (Fig. J).

Fig. C

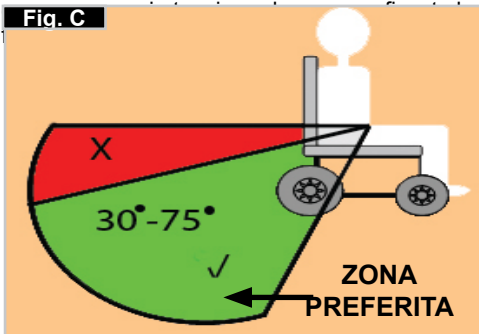


Fig. D



Fig. E

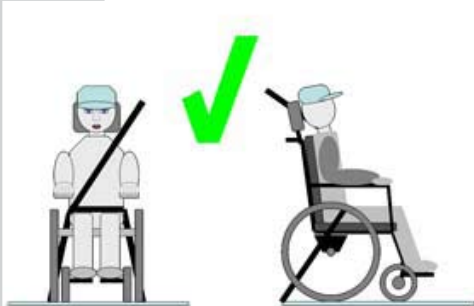


Fig. F



Fig. G

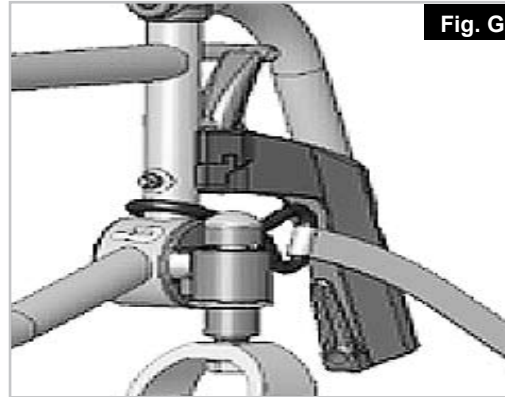


Fig. H

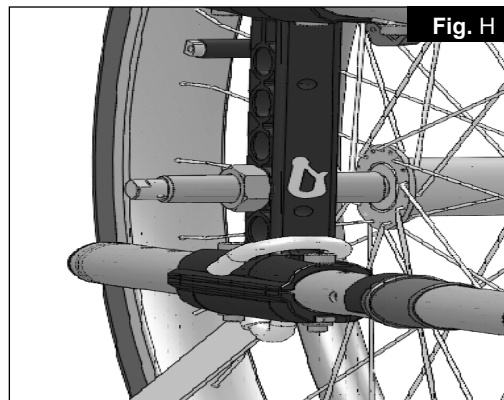


Fig. I

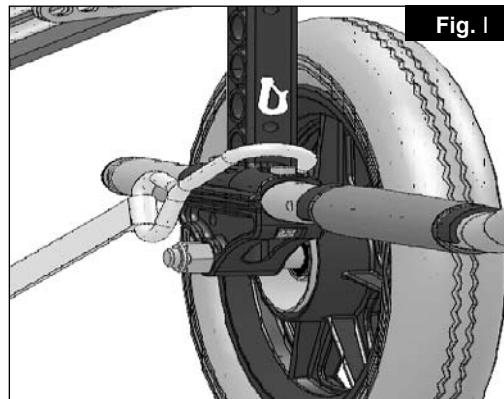


Fig. J



Uso

CHIUSURA

Per prima cosa togliere il cuscino della carrozzina e lo schienale e ribaltare la pedana o gli appoggiapiedi separati. Afferrare il rivestimento o i tubi del sedile al centro da dietro e tirarli verso l'alto. La carrozzina si richiuderà. A seconda del modello, è possibile rimuovere la pedana per ridurre al minimo l'ingombro, ad es. per trasportare la carrozzina in auto. A questo scopo, sbloccare la leva all'esterno e spostare la pedana lateralmente quindi estrarre la pedana dalla sede (Fig. 1).



APERTURA

Premere sui tubi del sedile (vedere figura). La carrozzina si aprirà. Spingere i tubi fino a bloccarli in posizione nel telaio della seduta. Per semplificare questa operazione, tenere la carrozzina inclinata lateralmente in modo da alleggerire il peso su una ruota posteriore. **Fare attenzione a non infilare le dita nella crociera.** Riposizionare il cuscino e lo schienale (Fig. 2).



Perni ad estrazione rapida delle ruote posteriori Le ruote posteriori sono dotate di un perno ad estrazione rapida. Le ruote possono essere estratte o inserite senza la necessità di utilizzare degli utensili. Per l'estrazione delle ruote è sufficiente premere il pulsante posizionato sul perno ad estrazione rapida (1) ed estrarre la ruota (Fig. 3).

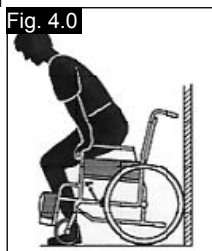


AVVERTENZA

L'inserimento del perno nel supporto deve avvenire premendo il relativo pulsante. Rilasciando il pulsante la ruota si bloccherà all'interno del suo supporto. Il pulsante di blocco deve ritornare nella sua posizione di partenza.

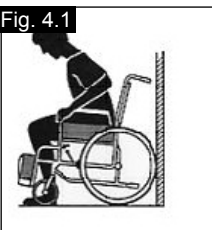
COME SEDERSI DA SOLI IN CARROZZINA (FIG. 4.0)

- Spingere la carrozzina contro una parete o un mobile ben solido;
- Assicurarsi che i freni siano azionati;
- Accertarsi che la pedana sia sollevata;
- Quindi sedersi in carrozzina;
- Abbassare la pedana ed appoggiare i piedi davanti alle cinghie fermatallone.



COME SCENDERE DA SOLI DALLA CARROZZINA (FIG. 4.1)

- Assicurarsi che i freni siano azionati;
- La pedana dovrebbe essere sollevata;
- Con le mani appoggiate sui braccioli, piegarsi leggermente in avanti per spostare il peso del corpo verso la parte anteriore della seduta. Quindi appoggiare i piedi per terra, con uno dei due piedi bene indietro, ed alzarsi.



AVVERTENZA!

- Mentre ci si alza, non appoggiarsi sugli appoggiapiedi o la carrozzina potrebbe ribaltarsi. È più facile e più sicuro sedersi in carrozzina con gli appoggiapiedi sollevati o staccati dalla carrozzina in modo che non siano di intralcio.
- Prima di salire o scendere dalla carrozzina inserire sempre i freni.

Opzioni – Salicordoli

PEDANA PER IL RIBALTAMENTO

La pedana per il ribaltamento della carrozzina è utilizzata dall'accompagnatore per il superamento di un ostacolo. Premere semplicemente con il piede sulla pedana e la carrozzina si solleverà leggermente per salire, ad esempio, sul cordolo di un marciapiede (Fig. 5).



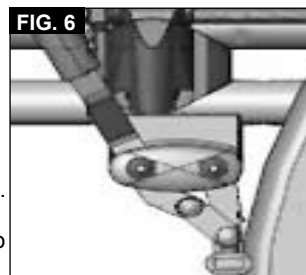
ATTENZIONE!

Sunrise Medical raccomanda vivamente l'uso di una pedana su ogni modello con ruote da transito e anche su tutti i modelli gestiti in modo preminente da un accompagnatore poiché, se inclinando la carrozzina per superare un ostacolo si tirano indietro i montanti posteriori, si rischia di danneggiarli.

Opzioni - Freni

FRENI

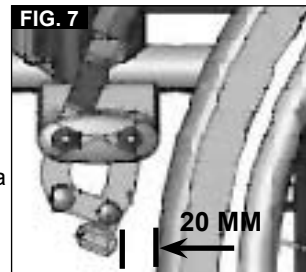
La carrozzina è dotata di due freni. I freni agiscono direttamente sui pneumatici. Per bloccare la ruota, spostare in avanti entrambe le leve del freno sino al loro arresto. Per sbloccare la ruota, riportare le leve del freno nella posizione di partenza.



L'azione dei freni sarà ridotta in caso di:

- profilo consumato dei pneumatici
- insufficiente pressione dei pneumatici
- pneumatici bagnati
- freno regolato non correttamente.

I freni non sono stati progettati per essere azionati quando la carrozzina è in movimento. Non azionare mai i freni durante la guida. Frenare sempre aiutandosi con i corrimani. Verificare che la distanza tra il freno ed il pneumatico sia conforme alle specifiche. Per la regolazione, allentare la vite e regolare la distanza corretta. Avvitare di nuovo la vite (Fig. 6-7).



ATTENZIONE!

dopo ogni modifica della posizione delle ruote posteriori, controllare la regolazione dei freni e se necessario provvedere nuovamente alla loro regolazione.

in caso di montaggio non appropriato della prolunga della leva del freno, questa potrebbe rompersi a causa della maggiore pressione esercitata.

Non appoggiarsi sulla prolunga del freno mentre si sale e si scende dalla carrozzina, per evitare che si rompa. Gli spruzzi d'acqua provenienti dalle ruote possono causare il malfunzionamento dei freni.

FRENI A TAMBURO

I freni a tamburo permettono all'accompagnatore di frenare in modo funzionale e sicuro. Possono essere azionati con l'ausilio di una leva di blocco (1) per impedire qualsiasi spostamento indesiderato. Lo scatto della leva di blocco deve ben udibile. I freni a tamburo funzionano indipendentemente dalla pressione dei pneumatici. La carrozzina non può essere spostata con i freni a tamburo inseriti (Fig. 8).



ATTENZIONE!

I freni a tamburo devono essere regolati solamente da un rivenditore autorizzato.

Opzioni - Pedane

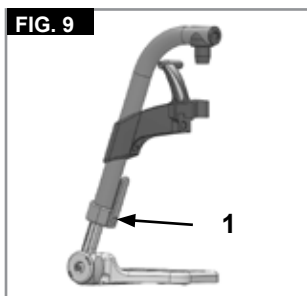
APPOGGIAPIEDI:

Gli appoggiapiedi possono essere sollevati per facilitare i trasferimenti nella carrozzina.

Lunghezza pedana

Per gli utenti con gambe lunghe abbassare la pedana all'altezza desiderata utilizzando le viti (1). Allentare le viti, sistemare i tubi nella posizione desiderata, quindi stringere le viti (vedere la sezione sulle coppie di serraggio).

Devono esserci sempre almeno 2,5 cm tra la pedana e il terreno (Fig. 9).



Appoggiapiedi regolabile in inclinazione

Può essere regolato per modificare l'angolazione rispetto al terreno. Rimuovere la vite, tirare verso l'interno, impostare all'angolo desiderato e spingere nuovamente. Terminata la regolazione, stringere nuovamente la vite.

Dopo ogni regolazione, controllare che tutte le viti siano ben strette (vedere la pagina relativa alla coppia di serraggio).

Verificare che sia mantenuta la distanza minima da terra (2,5 cm) (Fig. 10).



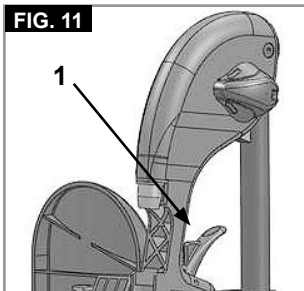
ATTENZIONE!

- La pedana non deve essere usata per sollevare o trasportare la carrozzina.
- Non utilizzare l'appoggiapiedi per salire o scendere dalla carrozzina. Prima dell'operazione, ribaltare l'appoggiapiedi e ruotare la pedana il più possibile verso l'esterno.

PEDANA ELEVABILE

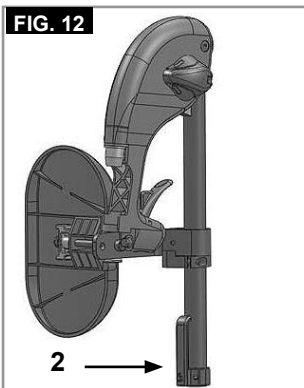
(Fig. 11-13)

Per estrarla, tirare la leva (1), ruotare la pedana verso l'esterno, quindi staccarla.



REGOLAZIONE DELL'ALTEZZA:

Allentando la vite (2) è possibile regolare la lunghezza della pedana con continuità. Regolare all'altezza desiderata e stringere la vite.

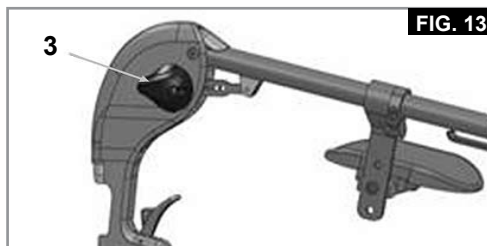


ATTENZIONE!

La distanza tra la pedana e il terreno deve essere di almeno 40 mm.

REGOLAZIONE DELL'ANGOLO:

Spingere la leva (3) verso il basso con una mano, sostenendo il peso dalla pedana con l'altra mano. Una volta raggiunto l'angolo desiderato, lasciare andare la leva per bloccare la pedana in una delle posizioni prestabilite.



REGOLAZIONE DELL'APPOGGIAPOLPACCI

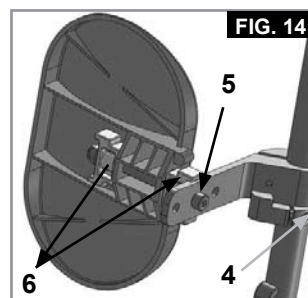
(Fig. 14).

L'appoggiapolpacci può essere regolato come segue.

Altezza: svitare il bullone (4) e spostare il pezzo di bloccaggio nella posizione desiderata. Ruotando il pezzo di bloccaggio si può regolare anche l'angolazione.

Profondità: svitare il bullone (5) e spostare l'appoggiapolpacci nella posizione desiderata.

Larghezza: svitare il bullone (5) e spostare gli spaziatori (6) dietro l'appoggiapolpacci per raggiungere la posizione desiderata.



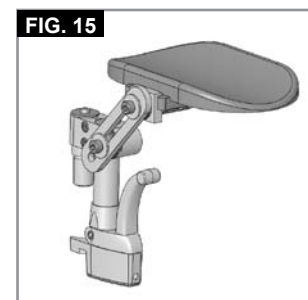
AVVERTENZA!

- Tenere le mani lontano del meccanismo di regolazione tra il telaio e le parti mobili della pedana mentre si alza o si abbassa la pedana.
- Assicurarsi che i dispositivi di fissaggio siano bloccati in posizione.
- Le pedane non devono essere usate per sollevare o trasportare la carrozzina.
- Fare attenzione a non schiacciarsi le dita! Quando si muove la pedana verso l'alto o verso il basso, non infilare le dita nel meccanismo di regolazione tra le parti mobili.

SUPPORTO PER AMPUTATI

(Fig. 15).

Il supporto per amputati può essere regolato in tutte le direzioni, a seconda delle esigenze.



Opzioni - Ruote anteriori

RUOTE ANTERIORI, PIASTRA DI REGOLAZIONE DELLA RUOTA ANTERIORE, FORCELLA DELLA RUOTA ANTERIORE

È possibile che la carrozzina viri leggermente verso destra o sinistra o che sia presente una vibrazione delle ruote anteriori. I motivi possono essere i seguenti:

- il movimento della ruota in avanti o all'indietro non è correttamente regolato
- La campanatura non è regolata correttamente.
- La pressione delle ruote posteriori e/o delle ruote anteriori non è corretta; le ruote non girano con facilità.

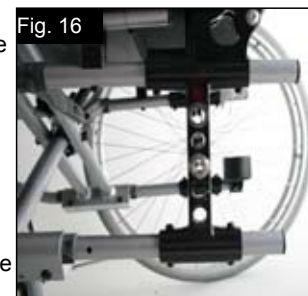
Una regolazione adeguata delle ruote anteriori è la condizione essenziale per il movimento rettilineo della carrozzina. La regolazione delle ruote anteriori deve essere sempre eseguita da un tecnico autorizzato. Ogni volta che la posizione delle ruote posteriori viene modificata bisogna sempre regolare i freni nuovamente.

Opzioni - Ruota anteriore, adattatore

L'altezza della seduta è determinata dalla posizione delle ruote anteriori e posteriori. Modificando la posizione delle ruote posteriori e anteriori e usando dei distanziali è possibile regolare l'altezza della seduta.

ATTENZIONE!

Dopo avere regolato l'altezza della seduta, stringere nuovamente tutte le viti e regolare nuovamente i freni.



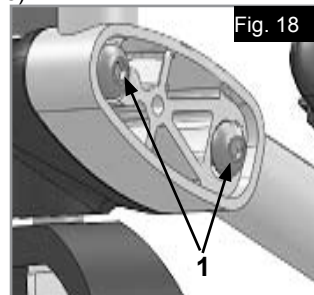
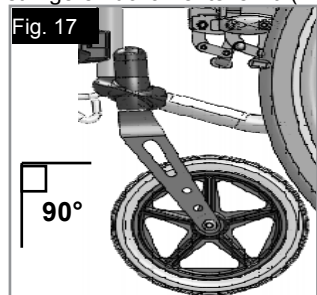
Opzioni - Ruota anteriore, adattatore >>>

NOTA:

Modificando la posizione della ruota anteriore/posteriore è possibile cambiare l'angolazione dell'asse delle ruote anteriori. L'angolo deve essere circa 90°.

REGOLAZIONE DELL'ANGOLO DELL'ASSE DELLE RUOTE ANTERIORI:

Allentare le viti (1), estrarre l'adattatore, impostare l'angolo a 90° e stringere nuovamente le viti (Fig. 17-18).



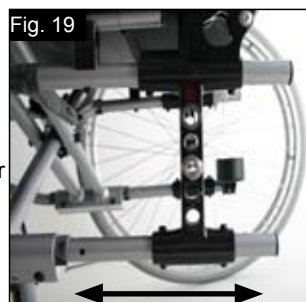
ATTENZIONE!

L'angolo dell'asse di entrambe le ruote deve essere lo stesso.

POSIZIONE ORIZZONTALE DELL'ASSE

La piastra dell'asse può essere spostata in avanti per offrire una maggiore manovrabilità, o indietro per dare maggiore stabilità (Fig. 19).

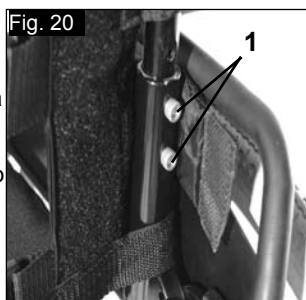
Maggiore è l'interasse, minore è il rischio di ribaltamento della carrozzina



Opzioni - Schienale

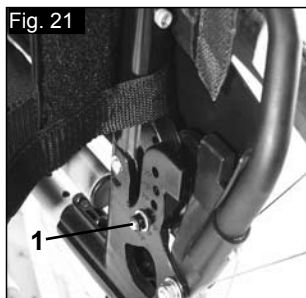
SCHIENALE AD ALTEZZA REGOLABILE

L'altezza dello schienale può essere impostata in 2 o 3 posizioni diverse a seconda del modello (41 cm, 43,5 cm e 46 cm). Allentare e rimuovere i bulloni (1)+(2) e spingere il tubo dello schienale nella posizione desiderata. Stringere i bulloni (Fig. 20).



SCHIENALE REGOLABILE IN ANGOLAZIONE

L'angolo dello schienale può essere regolato in 6 posizioni diverse (5° in avanti, 0°, 5°, 10°, 15° e 20° indietro). Per regolare l'angolo, rimuovere la vite (1), impostare l'angolo desiderato e stringere nuovamente la vite (Fig. 21).



SCHIENALE REGOLABILE IN ANGOLAZIONE (7° - 30°)

Tirando le due leve contemporaneamente (1), lo schienale può essere sbloccato e poi sistemato nella posizione desiderata.

Quando si rilasciano le due leve (1) lo schienale si blocca automaticamente in posizione (Fig. 22).



ATTENZIONE!

- Si raccomanda di abbinare uso allo schienale regolabile in angolazione la prolunga posteriore del telaio.
- Si raccomanda di abbinare allo schienale regolabile in angolazione le ruotine antiribaltamento (distanza massima da terra: 3-5 cm).
- Si raccomanda di abbinare allo schienale regolabile in angolazione all'asta stabilizzatrice.

SCHIENALE ABBATTIBILE A METÀ

Apertura dello schienale: Per sistemare lo schienale in posizione verticale, spingere le manopole verso l'alto e in avanti fino a quando non si bloccano in posizione.

AVVERTENZA!

Tenere dita e altri oggetti lontano dal meccanismo di chiusura quando si chiude lo schienale per evitare di subire lesioni o causare danni.

Chiusura dello schienale:

Lo schienale può essere piegato per riporre più facilmente la carrozzina.

ATTENZIONE!

Non cercare di piegarlo quando è sotto carico o si rischia di rompere la leva.

Per chiudere lo schienale, sistemarsi dietro la carrozzina e premere le due levette (Fig. 23 - 24) ai lati dello schienale (sopra i braccioli). Piegare lo schienale.



TELO SCHIENALE REGOLABILE

Per regolare la tensione dello schienale in tela, utilizzare le apposite cinghie (Fig. 25).

ATTENZIONE!

Non stringere troppo la cinghia di tensionamento, per non interferire con il meccanismo di chiusura della carrozzina.

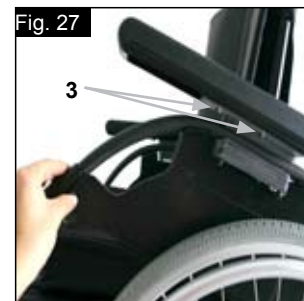
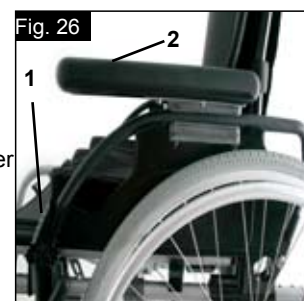


Opzioni - Protezione laterale

SPONDINE STANDARD, RIBALTABILI, RIMOVIBILE CON BRACCIOLI CORTI O LUNGI

Le spondine hanno bordi smussati per potersi avvicinare ad un tavolo. Per ribaltare il bracciolo, spingere la leva (1) in modo che la spondina si sblocchi (Fig. 26 + 27).

Per regolare l'altezza del bracciolo (2), montare la staffa del distanziatore in posizioni diverse. A questo scopo, allentare le viti, spostare la staffa del distanziatore e quindi stringere le viti. Per regolare la lunghezza del bracciolo, allentare le viti (3), spostare il bracciolo nella posizione desiderata e quindi stringere le viti (Fig. 27).



Opzioni – Spondina >>>

ATTENZIONE!

Non utilizzare le spondine o i braccioli per sollevare o trasportare la carrozzina.

ATTENZIONE!

Nel regolare l'altezza del bracciolo, fare attenzione a non pizzicarsi le dita.

SPONDINE RIBALTABILI, CON BRACCIOLI CORTI O LUNGI ESTRAIBILI, REGOLABILI IN ALTEZZA

L'altezza del bracciolo può essere regolata come segue. Spingere la leva verso il basso e spostare il bracciolo all'altezza desiderata. Rilasciare la leva e premere il bracciolo verso il basso fino a quando si blocca in posizione. Controllare sempre che le spondine siano inserite correttamente. Per ribaltare il bracciolo, spingere la leva (1) in modo che la spondina si sblocchi.



Per regolare la lunghezza del bracciolo, allentare le viti (2), spostare il bracciolo nella posizione desiderata e quindi stringere le viti (Fig. 28).

ATTENZIONE!

Non utilizzare le spondine o i braccioli per sollevare o trasportare la carrozzina.

ATTENZIONE!

Quando si utilizza una ruota posteriore da 24", spostare il bracciolo di una posizione più in alto.

BRACCIOLI AD ASTA SINGOLA REGOLABILI IN ALTEZZA

Per regolare l'altezza, tirare la leva (1) e spostare il bracciolo (2) all'altezza desiderata. Successivamente, controllare che la leva (1) si blocchi in posizione. Per togliere il bracciolo, procedere allo stesso modo.



Per estrarre completamente la spondina, spingere la leva (2). Anche quando si monta la spondina la leva (2) deve essere tirata. Controllare sempre che la spondina si blocchi nella posizione corretta nella sede. (Fig. 29).

Opzioni – Ruotine antiribaltamento

RUOTINE ANTIRIBALTAMENTO

Le ruotine antiribaltamento offrono un'ulteriore sicurezza per gli utenti inesperti che stanno imparando ad usare la carrozzina. Le ruotine evitano che la carrozzina si ribalti all'indietro. Inserire le ruotine antiribaltamento nel tubo del telaio fino a far entrare il primo dei due pulsanti a molla nel primo foro del tubo (Fig. 30).



AVVERTENZA!

Se le ruotine antiribaltamento sono posizionate in modo non corretto è più probabile che la carrozzina si ribalti all'indietro. Ruotare le ruotine verso l'alto quando si affrontano ostacoli ingombranti (come un marciapiede) per evitare che tocchino terra, e poi girarle verso il basso per riportarle nella posizione normale.

NOTA: non inserire entrambi i pulsanti del tubo delle ruotine antiribaltamento nel tubo del telaio poiché le ruotine potrebbero danneggiarsi e non essere più efficaci. Spingere il secondo pulsante di blocco esposto per sollevare o rimuovere le ruotine di sicurezza. Devono esserci sempre tra 3 e 5 cm tra il tubo e il terreno. Ruotare le ruotine verso l'alto quando si affrontano ostacoli ingombranti (come un marciapiede) per evitare che tocchino terra. Quindi girare le ruotine verso il basso nella posizione normale (Fig. 30).

AVVERTENZA!

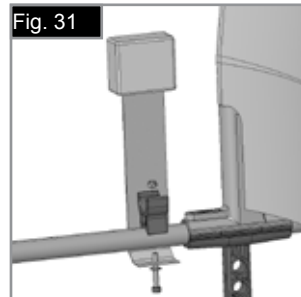
Se le ruotine antiribaltamento sono posizionate in modo non corretto è più probabile che la carrozzina si ribalti all'indietro.

Opzioni – Cintura pelvica

AVVERTENZA!

Prima di usare la carrozzina assicurarsi che la cintura di sicurezza sia indossata e regolata correttamente.

La cintura pelvica va fissata alla carrozzina come mostrato nelle figure. La cintura pelvica è composta da due parti. Esse vengono fissate utilizzando il bullone di fermo per il blocco del sedile infilato nell'occhiello della cintura. La cintura viene fatta passare sotto la parte posteriore del pannello laterale (Fig. 31). Regolare la posizione della cintura in modo che le due parti della fibbia si trovino al centro della seduta. (Fig. 32)



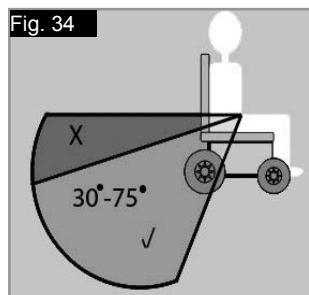
Regolare la cintura pelvica per adattarla alle esigenze dell'utente nel modo seguente:

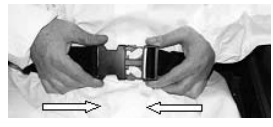



Per aumentare la lunghezza della cintura:	Per diminuire la lunghezza della cintura	✓
 Tipo A	 Tipo A	 Tipo A
 Tipo B	 Tipo B	 Tipo B
Far passare la cintura attraverso le guide di regolazione e la fibbia maschio per allungare la cintura.	Far ripassare la cintura attraverso la fibbia maschio e le guide di regolazione.	Controllare che la cintura non sia arrotolata sulla fibbia maschio.

Opzioni – Cintura pelvica >>>

Quando si allaccia la cintura, controllare lo spazio tra la cintura e l'utente; se la regolazione è corretta, deve essere possibile infilarsi una mano. (Fig. 33)

Normalmente la cintura pelvica deve essere fissata in modo che le cinghie formino un angolo di circa 45 gradi e, quando regolata correttamente, non permetta all'utente di scivolare in avanti. (Fig. 34)



	
	
<p>Per chiudere la fibbia: Inserire bene la fibbia maschio nella fibbia femmina.</p>	<p>Per slacciare la cintura: Fare pressione sulle parti esposte della fibbia maschio spingendole verso il centro oppure premere il pulsante della fibbia femmina tirando contemporaneamente le due parti verso l'esterno.</p>

CONSIGLI PER IL CLIENTE

⚠ AVVERTIMENTO!

- Non fare affidamento solamente sulla cintura pelvica durante il trasporto dell'utente in carrozzina in un veicolo. Utilizzare il sistema di ritenuta per il passeggero fornito nel veicolo.
- Prima dell'uso, si raccomanda di controllare la cintura per verificare che sia regolata correttamente e priva di ostacoli o segni di usura e che la fibbia si chiuda bene.
- La mancata verifica della sicurezza e della regolazione della cintura pelvica prima dell'uso può causare gravi lesioni all'utente. Per esempio, se la cintura è allentata eccessivamente, l'utente potrebbe scivolare in avanti sulla carrozzina e rischiare il soffocamento.

MANUTENZIONE:

Controllare regolarmente la cintura pelvica e i componenti di fissaggio e assicurarsi che non siano logori o danneggiati. Se necessario, sostituirli. Pulire la cintura pelvica con acqua insaponata tiepida e lasciare asciugare.

⚠ AVVERTIMENTO!

Regolare la cintura pelvica in base alle necessità dell'utente come descritto precedentemente. Poiché l'utente potrebbe inavvertitamente allentarla, Sunrise Medical raccomanda di controllare regolarmente la lunghezza e la posizione della cintura pelvica.

In caso di dubbi sull'uso e il montaggio della cintura di sicurezza, rivolgersi al personale sanitario, al rivenditore, all'assistente o all'accompagnatore.

Opzioni - Sedile

TELO DELLA SEDUTA STANDARD

Il telo è dotato di tiranti di Velcro su un lato che consentono di regolare la tensione del telo stesso. Per regolare il telo, richiudere la carrozzina. A questo punto togliere dal telaio i cappucci di protezione anteriori. Il telo potrà così essere estratto dal telaio. Rimuovere i tiranti in Velcro e regolare il telo. Per rimontare il telo, seguire la procedura inversa (Fig. 39)



⚠ ATTENZIONE!

- Per ragioni di sicurezza, è necessario che le superfici di Velcro si sovrappongano una sull'altra per almeno il 50% della loro lunghezza.
- Non stringere troppo il telo, per non interferire con il meccanismo di chiusura della carrozzina. Profondità del sedile

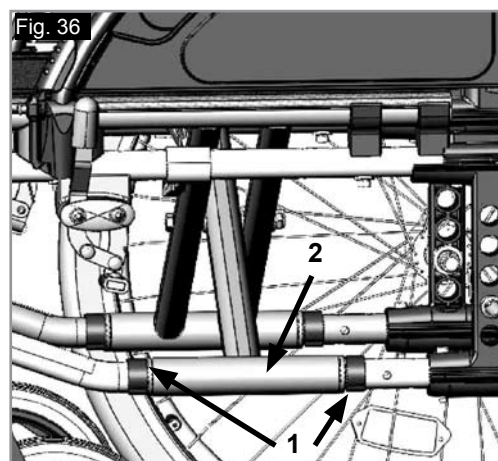
Opzioni – Profondità del sedile

PROFONDITÀ DEL SEDILE

Togliere gli anelli di fissaggio (1) per spingere lungo il telaio la crociera (2) e modificare così la profondità del sedile (a seconda della posizione dei tubi dello schienale).

Verificare che gli anelli di fissaggio (1) si incastrino nei fori appositi del telaio.

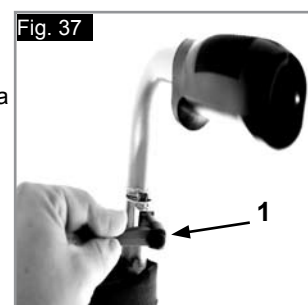
Per mantenere il telaio il più compatto possibile, la profondità del sedile può essere regolata anche mediante i tubi dello schienale (41-46 cm con incrementi di 2,5 cm). A questo scopo rimuovere le viti (1 e 2) sulla staffa del tubo dello schienale. Togliere le ruote e i braccioli e controllare che la crociera sia nella posizione desiderata (spingere la crociera come descritto sopra). Spostare i tubi dello schienale nella posizione desiderata e poi stringere le viti. Spostare il tubo della sede dei braccioli nella posizione desiderata (Fig. 36).



Opzioni – Manopole di spinta

MANIGLIE DI SPINTA REGOLABILI IN ALTEZZA

Grazie ad un perno le maniglie di spinta non possono staccarsi involontariamente. Rilasciare la leva di sblocco (1) per regolare le maniglia di spinta all'altezza desiderata. Dopo ogni regolazione dell'altezza delle maniglie di spinta, tirare la leva di sblocco (1) fino a stringerla (Fig. 37).



⚠ ATTENZIONE!

Se la leva non è fissata, quando si dovranno superare degli ostacoli si potrebbe rischiare di causare lesioni.

Opzioni - Portastampelle

PORTASTAMPELLE

Questo accessorio permette di trasportare le stampelle agganciandole alla carrozzina. Un cinturino di Velcro consente di fissare le stampelle (Fig. 38).



⚠️ AVVERTENZA!

Non cercare mai di utilizzare o togliere le stampelle o altri ausili mentre la carrozzina è in movimento.

Opzioni - Tavolino

TAVOLINO

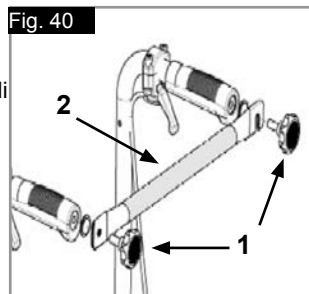
Il tavolino serve come superficie per lo svolgimento di varie attività. Prima dell'uso, il tavolino deve essere regolato in base alla larghezza della seduta da un tecnico autorizzato. Questa regolazione va eseguita con l'utente seduto sulla carrozzina (Fig. 39).



Opzioni - Barra stabilizzatrice

BARRA STABILIZZATRICE

Allentare la manopola a stella (1) e girare la barra stabilizzatrice (2) in modo che non sia di intralcio prima di richiudere la carrozzina. Per rimontare la carrozzina, seguire la procedura inversa.



⚠️ ATTENZIONE!

- Prima di usare la carrozzina verificare che la barra stabilizzatrice e le manopole a stella siano nella posizione corretta e ben strette.
- Non usare mai la barra stabilizzatrice per sollevare la carrozzina!

Opzioni - Ruotine da transito

RUOTINE DA TRANSITO

Le **ruotine da transito** vengono normalmente utilizzate quando la carrozzina con le ruote posteriori è troppo larga per passare in determinati spazi (p. es. in aereo, in autobus ecc.) Una volta che le **ruote posteriori** sono estratte con l'ausilio dell'asse ad estrazione rapida, è possibile proseguire la guida sulle ruotine da transito. Se non utilizzate, le **ruotine da transito** sono montate in modo tale da rimanere ad una distanza di 3 cm circa dal terreno. Non ostacolano le manovre di guida, di trasporto o di ribaltamento ad es. scalini, marciapiedi ecc. (Fig. 41).



⚠️ AVVERTIMENTO!

Durante l'utilizzo delle ruotine di transito, la carrozzina non può essere frenata.

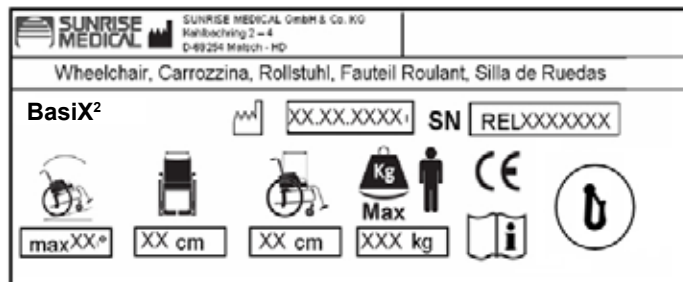
Targhetta di identificazione

Targhetta di identificazione

L'etichetta di identificazione è applicata sulla crociera e sul manuale d'uso. Su questa targhetta sono riportati i dati tecnici. In caso di ordine di ricambi o di reclamo è necessario comunicare i seguenti dati:

In linea con la nostra politica di continuo miglioramento nel design delle carrozzine, le specifiche del prodotto possono differire leggermente dagli esempi illustrati. I pesi, le dimensioni e i dati

[CAMPIONE]



BasiX² XXXXX-XXX	Nome del prodotto/codice articolo
	La pendenza superabile massima dipende dall'assetto della carrozzina, dalla postura e dalle capacità fisiche dell'utente
	Larghezza seduta
	Profondità (massima).
	Portata massima.
	Marchio CE
	Guida per l'utente.
	Crash test
	Data di produzione.
SN RELXXXXXXXX	Numero di serie.

prestazionali sono approssimati e forniti solo a scopo indicativo. Sunrise Medical è conforme ai requisiti della direttiva europea sui dispositivi medici 93/42/CEE

CE Tutte le carrozzine devono essere usate secondo le linee guida del produttore.

Sunrise Medical GmbH & Co.KG
Kahlbachring 2-4
69254 Malsch/Heidelberg
Germania
Tel.: +49 (0) 7253/980-0
Fax: +49 (0) 7253/980-111
www.SunriseMedical.com

Copertoni e montaggio dei pneumatici

COPERTONI E MONTAGGIO DEI PNEUMATICI

I pneumatici standard sono pieni. Verificate che la pressione dei pneumatici sia sempre quella corretta. Una pressione inadeguata può compromettere le prestazioni della carrozzina. Se la pressione è troppo bassa, sarà necessario applicare una forza maggiore per muovere la carrozzina poiché la resistenza al rotolamento è maggiore. La manovrabilità della carrozzina ne risulterà compromessa. Se la pressione è troppo alta si rischia lo scoppio del copertone. La pressione corretta è riportata su ogni singolo copertone (min. 3.5 bar).

Il montaggio o la riparazione dei copertoni avviene come per qualsiasi tradizionale copertone da bicicletta. Prima del montaggio della nuova camera d'aria verificare che nel canale del cerchione e nella parete interna del copertone non siano presenti corpi estranei. Dopo il montaggio o la riparazione controllare la pressione del copertone. La regolazione della pressione ai valori indicati e il buono stato dei copertoni sono condizioni importanti per la sicurezza e per le prestazioni della carrozzina.

Manutenzione e cura

CONTROLLI PER LA SICUREZZA:

L'utente è la prima persona ad accorgersi di eventuali difetti. Ogni volta che si desidera usare la carrozzina, controllare prima quanto segue:

Che la pressione delle ruote sia corretta.
Che i freni funzionano correttamente.
Che le parti rimovibili siano tutte ben fissate (p. es. braccioli, pedane, assi a sgancio rapido ecc).
In caso di danni o difetti, contattare il rivenditore autorizzato di fiducia.

MANUTENZIONE:

Controllare la pressione dei pneumatici ad intervalli regolari. Controllare l'usura o l'eventuale presenza di danni su tutti i copertoni ad intervalli regolari, almeno una volta all'anno. Sostituire i pneumatici non appena si notano segni di usura o danni. Controllare l'usura o l'eventuale presenza di usura o danni sui rivestimenti della seduta e dello schienale a intervalli regolari, almeno una volta all'anno. Sostituirli non appena si notano segni di usura o danni. Controllare l'usura o l'eventuale presenza di usura o danni su tutti i componenti del telaio e dello schienale ad intervalli regolari, almeno una volta all'anno. Sostituirli non appena si notano segni di usura o danni. Controllare l'usura o l'eventuale presenza di danni sui freni ad intervalli regolari, almeno una volta all'anno. Controllare il corretto funzionamento e la manovrabilità dei freni. Sostituire i freni non appena si notano segni di usura o danni. Controllare che tutti i bulloni siano ben serrati (vedere la sezione relativa alla coppia di serraggio) ad intervalli regolari, almeno una volta all'anno. Tutte le viti che sono essenziali alla sicurezza della carrozzina durante l'uso sono dotate di dadi di sicurezza. I dadi di sicurezza devono essere utilizzati una sola volta e sostituiti dopo l'uso.

NOTA: Se sono fornite indicazioni sulle impostazioni della coppia di serraggio, si raccomanda di utilizzare un dispositivo di misurazione per verificare che il serraggio sia corretto. Se la carrozzina è sporca, pulirla solamente con un detergente non corrosivo. Per la pulizia della fodera del sedile e della cintura pelvica utilizzare esclusivamente acqua e sapone. A seconda della frequenza e del modo di utilizzo, si consiglia di sottoporre la carrozzina regolarmente, almeno una volta all'anno, ad un controllo da parte di personale specializzato presso un rivenditore autorizzato Sunrise Medical.

ATTENZIONE!

Sabbia, sale ed acqua marina possono danneggiare i cuscinetti delle ruote anteriori e posteriori. Pulire e asciugare la carrozzina con cura qualora sia stata esposta a questi elementi.

IGIENE IN CASO DI UTILIZZO DA PARTE DI UN ALTRO UTENTE:

Prima che la carrozzina venga riutilizzata da un altro utente, prepararla adeguatamente, spolverando e trattando con disinfettante spray tutte le superfici che entrano a contatto con l'utente.

Se si ha poco tempo a disposizione, usare un disinfettante ad alcool rapido per prodotti o dispositivi medici. Osservare le istruzioni del fabbricante per il disinfettante impiegato.

Risoluzione dei problemi

Carrozzina che tende a muoversi lateralmente

- Controllare la pressione dei copertoni
- Controllare il regolare rotolamento della ruota (cuscinetti, asse)
- Controllare l'angolazione delle ruote anteriori
- Controllare che entrambe le ruote anteriori siano a contatto con il terreno

Vibrazioni delle ruote anteriori

- Controllare l'angolazione delle ruote anteriori
- Controllare che le viti siano serrate correttamente; se necessario, stringerle nuovamente (vedere la sezione relativa alla coppia di serraggio)
- Controllare che entrambe le ruote anteriori siano a contatto con il terreno

La carrozzina cigola e scricchiola

- Controllare che le viti siano serrate correttamente; se necessario, stringerle nuovamente (vedere la sezione relativa alla coppia di serraggio)
- Applicare una quantità minima di lubrificante sulle giunzioni delle parti mobili

La carrozzina oscilla

- Controllare l'angolo di impostazione delle ruote anteriori
- Controllare la pressione dei copertoni
- Controllate che le ruote posteriori non siano state regolate in modo differente una dall'altra

Smaltimento / Riciclaggio dei materiali

NOTA: Se la carrozzina è stata messa a disposizione gratuitamente, potrebbe non essere di proprietà dell'utente. Se non è più necessaria, seguire le istruzioni fornite dall'organizzazione che ha messo a disposizione la carrozzina per la restituzione.

Di seguito vengono descritti i materiali usati per la carrozzina e l'imballaggio e come devono essere smaltiti e riciclati. Quando si organizza lo smaltimento, considerare gli eventuali regolamenti specifici in vigore localmente per lo smaltimento dei rifiuti o il riciclaggio. Questo può includere la pulizia o la disinfezione della carrozzina prima dello smaltimento.
Alluminio: forcelle, ruote, telai delle spondine, telai dei braccioli, telaio della pedana, manopole di spinta
Acciaio: dispositivi di fissaggio, perni ad estrazione rapida
Plastica: maniglie, fermatubi, ruote anteriori, appoggiapiedi, imbottiture dei braccioli e ruote/pneumatici da 12"
Imballaggio: sacco in polietilene a bassa densità, scatola di cartone
Rivestimento: poliesteri tessuto con rivestimenti in PVC e schiuma modificata da combustione espansa.
Per lo smaltimento o il riciclaggio rivolgersi ad un centro di smaltimento autorizzato. In alternativa, la carrozzina può essere restituita al rivenditore per essere smaltita.



Dati tecnici

Larghezza totale:

Con ruote standard, compresi corrimani montati vicino:

LS +19 cm

Con ruote con freni a tamburo, compresi corrimani montati vicino:

LS +21 cm

Misura della carrozzina chiusa:

Con ruote standard = 30 cm

Senza ruote standard = 24 cm

Portata massima:

Fino a 125 kg

Peso in kg:

Per il trasporto (senza pedana, ruote, spondine) 8,4 kg

Pedana (al pezzo): 0,8 kg

Spondine standard (al pezzo): 0,8 kg

Ruote posteriori piene da 24" (al paio) 3,8 kg

PORTATA MASSIMA: 125 KG

VEDERE ANCHE PAGINA 5

In conformità allo standard EN12183: 2009, tutte le parti qui elencate (teli seduta/schienale, imbottiture braccioli, pannelli laterali ecc) sono resistenti al fuoco ai sensi della norma EN1021-2.

La pendenza superabile in movimento dipende dalla configurazione della carrozzina, dalle capacità dell'utente e dallo stile di guida. Dal momento che non è possibile conoscere in anticipo le capacità dell'utente e il suo stile di guida, la pendenza superabile massima è un parametro che non può essere definito in anticipo e deve pertanto essere determinata dall'utente con l'aiuto di un accompagnatore per evitare cadute. Si raccomanda agli utenti inesperti di montare le routine antiribaltamento.

La carrozzina è conforme ai seguenti standard:

a) Requisiti e norme per la resistenza statica, resistenza all'urto e all'usura (ISO 7176-8)

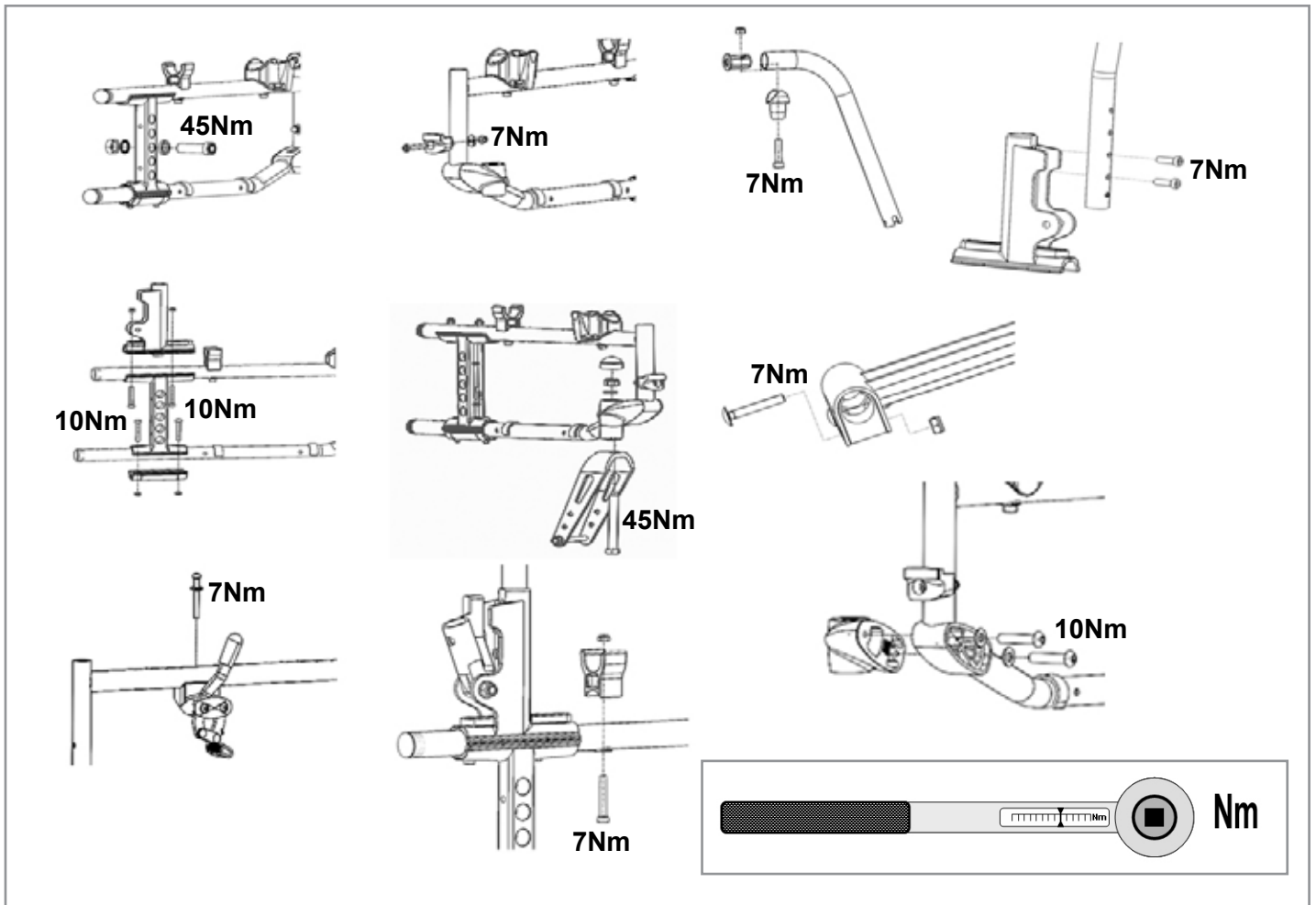
b) Requisiti di resistenza all'infiammabilità conformi allo standard ISO 7176-16 (EN 1021-1)

Regolazione dell'altezza della seduta

425 mm	8"	1A	
450 mm	8"	2A	1B
480 mm	8"	3A	2B
505 mm	8"		3B
425 mm	6"	2A	1B
450 mm	6"	3A	2B
480 mm	6"		3B

400 mm	24"		1
425 mm	24"		2
450 mm	24"	12"	3
475 mm	24"		4
500 mm	24"		5

Coppia di serraggio



LA COPPIA DI SERRAGGIO PER LE VITI M6 È
7 NM, SE NON INDICATO DIVERSAMENTE.

Alkusanat

Arvoisa asiakas,

Olemme iloisia, että valitsit laadukkaan SUNRISE MEDICAL -tuotteen.

Tämä käyttöopas sisältää lukuisia vinkkejä ja ideoita uuden pyörätuolisi mahdollisimman luotettavan käyttöönoton varmistamiseksi.

Haluamme, että olet tyytyväinen tuotteisiimme ja palveluihimme. Sunrise Medical kehittää jatkuvasti tuotteitaan, joten tuotteidemme muotoilu, teknologia ja laitteistot voivat aika ajoin muuttua. Tämän käyttöoppaan sisältämien kuvien tai tietojen perusteella ei tästä syystä voi esittää mitään korvausvaatimuksia.

SUNRISE MEDICALin hallintajärjestelmä täyttää seuraavat standardit: ISO 9001, ISO 13485 ja ISO 14001.



Pyörätuolien valmistaja SUNRISE MEDICAL vakuuttaa, että pyörätuolit täyttävät direktiivissä 93/42/EEC, muutettu 2007/47/EC, esitetyt normit.

Ne täyttävät myös ISO 7176-19 -standardin mukaiset törmäystestin suoritusvaatimukset

Ota yhteyttä paikalliseen Sunrise Medicalin valtuuttamaan jälleenmyyjään, jos sinulla on kysyttävää pyörätuolisi käytöstä, huollosta tai turvallisuudesta.

Jos lähialueellasi ei ole valtuutettua jälleenmyyjää tai jos haluat kysyä jotakin, ole hyvä ja ota yhteyttä Sunrise Medicaliin joko kirjallisesti tai soittamalla (yhteyshiedot löytyvät takasivulta).

Sunrise Medical Limited
High Street Wollaston
West Midlands DY8 4PS
Englanti
Tel.: +44 (0) 1384446688
www.sunrisemedical.com

Kirjoita paikallisen valtuutetun huoltopalvelun osoite ja puhelinnumero alla olevaan tilaan.

Jos pyörätuoli rikkoutuu, ota yhteyttä huoltoon ja ilmoita kaikki oleelliset tiedot, jotta he voivat auttaa sinua nopeasti.



TÄRKEÄÄ:
ÄLÄ KÄYTÄ PYÖRÄTUOLIA ENNEN KUIN OLET LUKENUT TÄMÄN KÄYTTÖOPPAAN JA YMMÄRTÄNYT SEN SISÄLLÖN.

Kuvakkeiden selitykset



VAARA!

Varoittaa mahdollisesta vakavan loukkaantumisen tai kuoleman vaarasta.



VAROITUS!

Varoittaa mahdollisesta loukkaantumisen vaarasta.



HUOMIO!

Varoittaa mahdollisesta teknisen vaurion vaarasta.

HUOMAUTUS:

Tuotteen käyttöön liittyviä tietoja.

Sisällysluettelo

Alkusanat	104
Kuvakkeiden selitykset	104
Sisällysluettelo	104
Käyttö	104
Sovellusala	104
Yleiset käyttöturvallisuutta koskevat varoitukset ja ajorajoitukset	105
Takuutiedot	106
Kuljetettavuus	107
Käsittely	109
Lisävarusteet - Kynnyspolkimet	109
Lisävarusteet - Jarrut	109
Lisävarusteet - Jalkalevyt	110
Lisävarusteet - Kääntyvät etupyörät	110
Lisävarusteet - Etupyörien sovitin	110
Lisävarusteet - Selkänoja	111
Lisävarusteet - Sivusuoja	111
Lisävarusteet - Kaatumaesteet	112
Lisävarusteet - Lantiovyö	112
Lisävarusteet - Istuin	113
Lisävarusteet - Istuimen syvyys	113
Lisävarusteet - Työntökahvat	113
Lisävarusteet - Keppiteline	114
Lisävarusteet - Terapia-alusta	114
Lisävarusteet - Vakaajatanko	114
Lisävarusteet - Siirtopyörät	114
Valmistekilpi	114
Renkaat ja asennus	115
Ylläpito ja huolto	115
Vianmääritys	115
Materiaalien hävittäminen/kierrätys	115
Tekniset tiedot	116
Istuimen korkeuden säätö	116
Vääntövoima	117

Käyttö

Kevyet pyörätuolit on tarkoitettu käyttäjille, jotka eivät pysty kävelemään tai joiden liikuntakyky on rajoittunut. Pyörätuoli on tarkoitettu henkilökohtaiseen käyttöön sisä- ja ulkotiloissa kuivilla, tasaisilla ja kiinteillä alustoilla (omatoimisesti tai avustajan työntämänä).

Enimmäispainorajoitus (käyttäjän ja pyörätuoliin asennettujen lisälaitteiden yhteispaino) ilmoitetaan sarjanumerokilvessä, joka sijaitsee istuimen alla poikki- tai stabilointitangossa.

Takuu on voimassa vain siinä tapauksessa, että tuotetta käytetään määritellyissä olosuhteissa ja määriteltyihin käyttötarkoituksiin. Pyörätuolin suunniteltu käyttöikä on viisi vuotta. ÄLÄ KÄYTÄ tai asenna pyörätuoliin mitään muun valmistajan osia ellei Sunrise Medical ole hyväksynyt niitä virallisesti.

Sovellusala

Pyörätuolissa on monia kokoonpanovaihtoehtoja ja modulaarinen rakenne, joten sitä voivat käyttää myös henkilöt, jotka eivät pysty kävelemään tai heidän liikuntakykynsä on rajoittunut esim. seuraavista syistä:

- Halvaus
- Raajan menetys (alaraaja-amputaatio)
- Raajan epämuodostuma
- Niveljäykistymä/nivelvamma
- Erilaiset sairaudet, esim. sydän- ja verisuonitaudit, tasapainohäiriöt, kiihtuminen. Soveltuu myös vanhemmille ihmisille, joilla on vielä voimia ylävartalossa.

Hankintapäätöstä tehdessä tulee huomioida käyttäjän kehon koko, paino, fyysinen ja psyykinen terveys, ikä, elinolot ja elinympäristö.

Yleiset käyttöturvallisuutta koskevat varoitukset ja ajorajoitukset

Tämä pyörätuoli on suunniteltu ja rakennettu mahdollisimman turvalliseksi. Pyörätuoli täyttää tai osittain jopa ylittää kaikki tällä hetkellä voimassa olevat kansainväliset turvallisuusstandardit. Pyörätuoli voi tästä huolimatta olla käyttäjälleen vaarallinen, jos sitä käytetään väärin. Pyörätuolin käyttäjän on noudatettava ehdottomasti seuraavia sääntöjä oman turvallisuutensa varmistamiseksi.

Epäpätevät tai virheelliset muutokset tai säädöt lisäävät onnettomuusriskiä. Pyörätuolin käyttäjä osallistuu jokapäiväiseen liikenteeseen teillä ja jalkakäytävillä. Haluamme muistuttaa tässä yhteydessä, että pyörätuolin käyttäjänä sinua koskevat kaikki samat liikennesäännöt kuin muitakin liikenteeseen osallistujia.

Aja varovasti käyttäessäsi tätä pyörätuolia ensikertaa. Opettele tuntemaan pyörätuolisi.

Tarkasta seuraavat kohteet ennen jokaista käyttökertaa:

- Kuljetuspyörien pikalukolliset tai kiinteät akselit.
- Istuin- ja selkänojaosien tarrakiinnitykset
- Renkaat, rengaspaineet ja pyörien lukot.

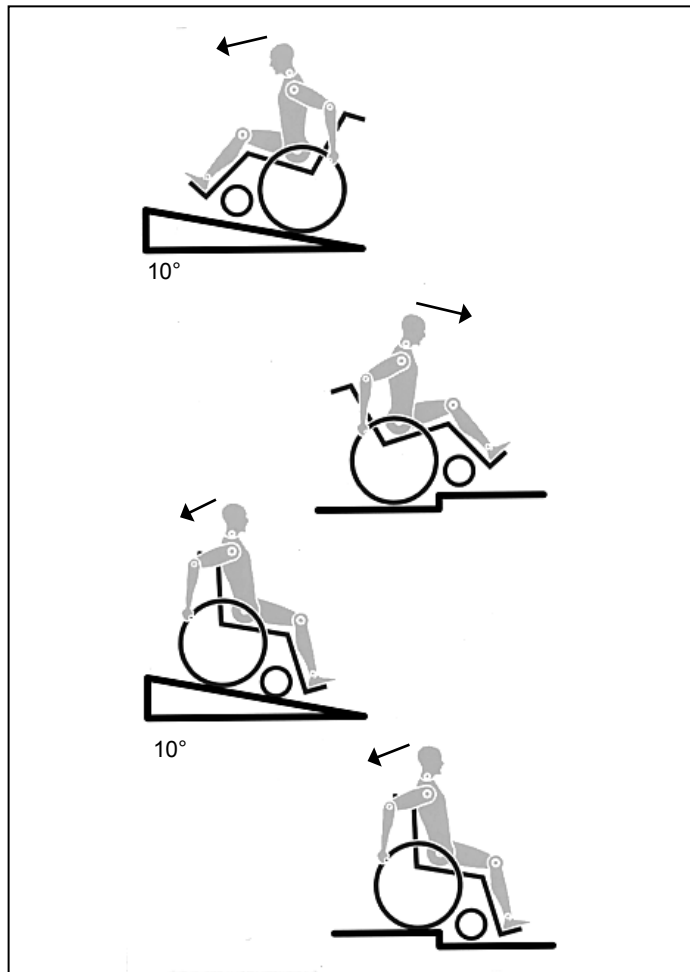
Jos haluat muuttaa mitä tahansa pyörätuolin säätöjä, lue ensin vastaava kohta käyttöohjeista.

Tämä pyörätuoli voi kaatua reikäisellä tiellä tai epätasaisella pinnalla ajettaessa etenkin ylä- tai alamäkeen ajettaessa. Jos ajat etusuunnassa askelman tai ylöspäin viettävän pinnan poikki, kallista vartaloasi eteenpäin.



VAARA!

- ÄLÄ KOSKAAN ylitä käyttäjän ja pyörätuolissa kuljetettavien tavaroiden yhteenlaskettua 125 kilon enimmäiskuormitusta. Jos enimmäiskuormitus ylittyy, pyörätuoli voi vaurioitua tai sen käyttäjä voi pudota tuolista ja menettää tuolin hallinnan, jolloin sekä tuolin käyttäjä että muut ihmiset voivat loukkaantua.
- Jos ajat pyörätuolilla pimeällä, käytä vaaleita vaatteita ja heijastimia, jotta sinut nähdään paremmin. Varmista että pyörätuolin sivuilla ja takana sijaitsevat heijastimet näkyvät kunnolla.
- Suosittelemme myös aktiivivalon asennusta.



VAARA!

- Vältä kaatumisia ja vaarallisia tilanteita harjoittelemalla uuden pyörätuolin käyttöä ensin tasaisella maalla ja hyvän näkyvyyden vallitessa.
- Älä käytä jalkalevyjä noustessasi pyörätuoliin tai siitä poistuessasi.
- Käännä jalkalevyt ensin yläasentoon ja mahdollisimman paljon sivuille. Siirry aina mahdollisimman lähelle paikkaa, johon haluat siirtyä.
- Käytä pyörätuolia aina huolellisesti. Vältä esimerkiksi esteen (askelma, katukiveyksen reuna) yli ajamista hidastamatta tai rakoihin ajamista.
- Jarrujen tarkoitus ei ole pysäyttää liikkuvaa pyörätuolia. Niillä varmistetaan, ettei pyörätuoli lähde vierimään itsestään. Jos pysähdyt epätasaiselle maalle, käytä aina jarruja estääksesi tuolin tahaton vieriminen. Käytä aina molempia pyörien jarruja; muussa tapauksessa pyörätuoli voi kaatua.
- Muuttele painopistettäsi kokeillaksesi, miten se vaikuttaa pyörätuolin käyttäytymiseen esimerkiksi kaltevilla pinnoilla ja rinteissä tai esteitä ylittäessä. Suorita kokeilu avustajan kanssa.
- Pyörätuoli voi kaatua myös tasaisella pinnalla, jos asetukset ovat ääriasennossa (esim. takapyörät etumaisessa asennossa) ja käyttäjän asento ei ole täydellinen.
- Nojaa ylävartaloasi eteenpäin ylämäkeen ajaessasi tai askelmia ylittäessäsi.
- Nojaa ylävartaloasi enemmän taaksepäin alamäkeen ajaessasi. Älä koskaan yritä ajaa ylä- tai alamäkeen vinottain.
- Vältä liukuportaiden käyttöä - voit vammautua vakavasti jos putoat pyörätuolista liukuportaissa.
- Älä käytä pyörätuolia rinteissä, joiden kallistuskulma on suurempi kuin 10°. Rinteissä ajettaessa pyörätuolin dynamiikkaan vaikuttavat pyörätuolin asetukset, käyttäjän taidot ja ajotyyli. Käyttäjän taitoja ja ajotyyliä ei voida määrittää ennalta, joten suurimman turvallisen kallistuskulman määrittäminen ei ole mahdollista. Käyttäjän on tästä syystä selvítettävä tämä parametri itse avustajan kanssa, joka estää pyörätuolia kaatumasta. Jos pyörätuolin käyttäjä on kokematon, kaatumaesteiden käyttö on erittäin suositeltavaa.
- Tämä pyörätuoli voi kaatua reikäisellä tiellä tai epätasaisella pinnalla ajettaessa etenkin ylä- tai alamäkeen ajettaessa.
- Älä aja pyörätuolilla mutaisella tai jäisellä alustalla.
- Älä käytä pyörätuolia paikoissa, joihin jalankulkijoilta on pääsy kielletty.
- Älä työnnä käsiäsi pyörien pinnoihin tai takapyörän ja pyörän lukon väliin pyörätuolin liikkuaessa – käsivammojen vaara.
- Jos pyörätuolissa on kevytmetalliset kelausvanteet, sormet kuumentuvat helposti suuresta vauhdista jarrutettaessa tai pitkissä rinteissä.
- Yritä askelmien ylitystä ainoastaan avustajan läsnäollessa. Pyörätuolin käyttäjiä varten on olemassa erilaisia apuvälineitä kuten nousuliuskoja tai nostureita; ole hyvä ja käytä niitä. Jos apuvälineitä ei ole käytettävissä, pyörätuolia on kallistettava ja työnnettävä askelmien ylitse (2 avustajaa); pyörätuolia ei saa koskaan kantaa. Suosittelemme, että yli 100 kg painoisia käyttäjiä ei tulisi siirtää tällä tavalla. Mahdolliset kallistuksenestoputket on asetettava etukäteen, jotta ne eivät voi ottaa kiinni askelmiin ja aiheuttaa siten vakavan kaatumisen. Kallistuksenestoputket on asetettava takaisin oikeaan asentoon heti käytön jälkeen.
- Varmista, että avustaja pitää kiinni pyörätuolista ainoastaan vankasti kiinnitetystä osista. Älä pidä kiinni irtoavista osista (esim. jalkatuista tai sivusuojista).

VAARA!

- Varmista nosturia käytettäessä, että kallistuksenestoputket on sijoitettu siten, että ne eivät voi aiheuttaa vaaratilannetta.
- Lukitse pyörätuolin jarrut epätasaisella alustalla tai siirrettäessä (esim. autoon).
- Jos pyörätuolia kuljetetaan liikuntaesteisten henkilöiden kuljetukseen erikoistuneella autolla, pyörätuolin käyttäjän tulee mahdollisuuksien mukaan käyttää auton istuimia ja turvavöitä. Tämä on ainoa tapa varmistaa pyörätuolin käyttäjän paras mahdollinen suojaus kolarin varalta.
- Rullapyörät voivat alkaa täristä suurissa nopeuksissa rullapyörän halkaisijan, sijainnin ja pyörätuolin painopisteen asetusten seurauksena. Rullapyörät voivat tässä tapauksessa lukkiutua ja pyörätuoli voi kaatua. Varmista tämän vuoksi, että rullapyörät on asetettu oikein (katso kohta "Rullapyörät").
- Älä missään tapauksessa liiku jarruttomalla pyörätuolilla kaltevilla rinteillä; aja tavallista hiljaisemmin. Suosittelemme aloitteleville käyttäjille kallistuksenestoputkien käyttöä.
- Kallistuksenestoputkien tarkoitus on estää pyörätuolin kaatuminen taaksepäin. Niitä ei saa missään tapauksessa käyttää kuljetuspyörinä; pyörätuolia ei saa käyttää, jos takapyörät on poistettu.
- Jos kurotat jotakin esinettä kohti (joka sijaitsee pyörätuolin edessä, sivulla tai sen takana), varo ettet kumarra liian pitkälle – pyörätuoli voi kaatua, jos sen painopiste muuttuu. Jos pyörätuolin selkänöjan putkiin ripustetaan ylimääräinen kuorma (reppu tai vastaava), pyörätuolin vakaus voi kärsiä etenkin silloin, kun pyörätuolissa on kallistettava selkänöja. Pyörätuoli voi kaatua taaksepäin ja aiheuttaa siten loukkaantumisen.
- Jos käyttäjän jalat on amputoitu reisistä, kallistuksenestoputkien käyttö on pakollista.
- Tarkista ennen liikkeelle lähtöä, että rengaspaineet ovat oikealla tasolla. Takarenkaiden rengaspaineen tulee olla vähintään 3,5 baaria (350 kPa). Enimmäispaine ilmoitetaan renkaassa. Polvivipujarrut toimivat vain siinä tapauksessa, että rengaspaine on riittävä ja jarrut on asetettu oikein (katso kohta "Jarrut").
- Jos havaitset istuimessa tai selkänöjassa vaurioita, vaihda ne heti uusiin.
- Varo avotulta ja etenkin tupakointia. Istuin ja selkänöja voivat syttyä palamaan.
- Jos pyörätuoli on pitkään kuumassa auringonpaisteessa / kylmässä lämpötilassa, sen osat (esim. runko, jalkatuet, jarrut ja sivusuojat) voivat olla erittäin kuumia (>41°C) / kylmiä (<0°C).
- Varmista aina, että takapyörän pikakiinnitys akselit (jos käytössä) on asennettu oikein ja että ne lukkiutuvat (lukitusmekanismin kuulat näkyvät kokonaan akseliholkin läpi). Takapyörää ei voi irrottaa, jos pikalukkoa ei paineta sisälle.

HUOMIO!

- Rengaspaineet vaikuttavat polvivipujarrun toimintaan ja pyörätuolin ajo-ominaisuuksiin. Pyörätuoli on huomattavasti kevyempi ja sitä on helpompi käsitellä, kun takarenkaat on täytetty oikein ja molemmissa renkaissa on sama paine.
- Varmista että renkaissa on riittävästi kulutus pintaa!
- Huomaa, että liikenteen joukossa liikkuessasi sinua koskevat kaikki liikennesäännöt.
- Käsittele ja säädä pyörätuolia aina huolellisesti!
- Säädot, joihin tarvitaan työkaluja, on annettava aina valtuutetun jälleenmyyjän tehtäväksi.
- Puhdista pyörätuoli säännöllisesti ruosteen ja suolakorroosion ehkäisemiseksi.
- Tarkasta niitit, ruuvit ja mutterit varmistaaksesi, että ne ovat kireällä ja että mitkään pyörätuolin osat eivät irtoa.

HUOMIO!



- Kaikkiin liikkuviin osiin liittyy sormien puseruuksiin jäämisen vaara. Käsittele pyörätuolia varoen.
- Tässä käyttöoppaassa esitetyt tuotteet saattavat poiketa joiltakin osin ostamastasi mallista. Tästä huolimatta kaikki näissä käyttöohjeissa esitetyt ohjeet koskevat täysin hankkimaasi mallia.
- Valmistaja varaa oikeuden muuttaa käyttöoppaassa esitettyjä painoja, mittoja ja muita teknisiä tietoja ilman ennakoilmoitusta. Kaikki tässä käyttöoppaassa esitetyt luvut, mitat ja tilavuudet ovat keskimääräisiä, niitä ei tule pitää teknisinä tietoina.

Käyttöikä

Tuotteen odotettavissa oleva käyttöikä on 5 vuotta olettaen että: sitä käytetään vain aiotuun käyttötarkoitukseen kaikki korjaus- ja huoltovaatimukset täyttyvät.

Takuutiedot

TAKUUTIEDOT

TÄMÄ EI VAIKUTAMITENKÄÄN LAKIPERUSTEISIIN OIKEUKSIISI. Takuuehdot

1) Korjaustyöt ja osien vaihto on suoritettava Sunrise Medicalin valtuuttaman jälleenmyyjän/huoltopalvelun toimesta.

2) Jos tuotteesi vaatii takuunalaista korjausta tai huoltoa, ota heti yhteyttä lähimpään valtuutettuun huoltopalveluun ja kerro vian syyt mahdollisimman seikkaperäisesti. Jos käytät tuotetta muualla kuin lähimmän valtuutetun huoltopalvelun alueella, takuuehtojen mukaiset huoltotyöt suorittaa toinen valmistajan määrittämä huoltopalvelun tarjoaja.

3) Jos pyörätuolin mikä tahansa osa on korjattava tai vaihdettava 24 kuukauden sisällä (5 vuoden sisällä rungon ja poikkituen osalta) pyörätuolin ostopäivästä, pyörätuolin alkuperäinen ostaja on oikeutettu osan/osien täysin ilmaiseen korjaukseen tai vaihtoon, mikäli osat toimitetaan valtuutetulle huoltopalvelun tarjoajalle. Huomautus: takuuta ei siirretä omistajalta toiselle.

4) Takuu kattaa kaikki korjatut tai vaihdetut osat pyörätuolin takuun voimassaolon ajan.

5) Alkuperäisen takuun umpeutumisen jälkeen vaihdetuille osille myönnetään 12 kuukauden takuu.

6) Kulutusluonteiset osat eivät yleensä kuulu takuun piiriin, ellei niiden voida osoittaa kuluneen kohtuuttomasti suoranaisesta valmistusviasta johtuen. Tällaisia osia ovat muun muassa pehmusteet, renkaat, sisäkumit ja vastaavat.

7) Yllä esitetyt takuuehdot koskevat kaikkia täysihintaisten tuotteiden osia.

8) Emme hyväksy tavallisissa olosuhteissa takuuvastuuta tuotteen korjauksesta tai osien vaihdosta tilanteessa, joka on aiheutunut suoranaisesti jostakin seuraavasta esitetyistä syistä:

- a) Tuotetta tai osaa ei ole ylläpidetty tai huollettu valmistajan käyttöoppaassa ja/tai huoltokäsikirjassa antamien suositusten mukaisesti. Pyörätuolin huollossa on käytetty muita kuin alkuperäisiä varaosia.
- b) Tuote tai osa on vaurioitunut välinpitämättömyyden, tapaturman tai väärän käytön seurauksena.
- c) Tuotetta tai osaa on muunneltu siten, että se ei enää vastaa valmistajan ilmoittamia teknisiä tietoja, tai pyörätuolia tai osaa on yritetty korjata ennen kuin ongelmasta on ilmoitettu huoltopalvelulle.
- d) Tuote on ruostunut väärän huollon vuoksi.

Kuljetettavuus

⚠ VAARA!

Tämän ohjeen noudattamatta jättäminen voi johtaa vakavaan loukkaantumiseen tai kuolemaan!

Pyörätuolin kuljettaminen ajoneuvossa:

Ajoneuvoon kiinnitetty pyörätuoli ei ole yhtä turvallinen kuin ajoneuvon istuinjärjestelmä. Suosittelemme, että pyörätuolin käyttäjä siirtyy aina ajoneuvon istuimeen. On olemassa tilanteita, joissa pyörätuolin käyttäjää ei voida aina siirtää. Seuraavia ohjeita on noudatettava kun käyttäjää kuljetetaan ajoneuvossa kun hän istuu pyörätuolissa:

1. Varmista, että ajoneuvo soveltuu matkustajan kuljettamiseen pyörätuolissa ja että pyörätuoli saadaan ajoneuvoon/ajoneuvosta. Ajoneuvon lattian tulee kantaa pyörätuolin käyttäjän, pyörätuolin ja lisälaitteiden yhteenlaskettu paino.
2. Pyörätuolin ympärillä tulee olla riittävästi tilaa, jotta pyörätuolin käyttäjän kiinnityshihnat ja turvavyö voidaan kiinnittää ja avata helposti.
3. Käytössä oleva pyörätuoli on sijoitettava siten, että siinä istutaan kasvot menosuuntaan päin ja pyörätuoli on kiinnitettävä tuolin hihnoilla ja käyttäjän hihnoilla (WTORS-hihnat, jotka täyttävät ISO 10542 - tai SAE J2249 -standardin vaatimukset.
4. Pyörätuolia ei saa kuljettaa ajoneuvossa muissa kuin testatuissa asennoissa (ei siis esim. sivusuunnassa) (kuva A).
5. Pyörätuoli tulee kiinnittää ISO 10542 - tai SAE J2249 -standardin täyttävällä kiinnityshihnajärjestelmällä, jossa on ei-säädettävät etuhihnat ja karabiineilla/S-koukuilla ja soljilla varustetut säädettävät takahihnat. Näissä hihnajärjestelmissä käytetään yleensä neljää hihnaa, jotka kiinnitetään pyörätuolin jokaiseen kulmaan.
6. Kiinnityshihnat tulee kiinnittää pyörätuolin runkoon (kuva seuraavalla sivulla); niitä ei saa kiinnittää mihinkään lisälaitteisiin tai -osiin kuten esim. pyörien pinnoihin, jarruihin tai jalkatukiin.

7. Kiinnityshihnat tulee asentaa mahdollisimman lähellä 45° kulmaa ja ne tulee kiristää huolellisesti valmistajan ohjeiden mukaisesti.

8. Pyörätuolin kiinnitysosien, rakenteen, rungon ja osien muutos- ja korvaustyöt voidaan suorittaa vain valmistajan luvalla. Mikäli näin ei tehdä, Sunrise Medicalin pyörätuolia ei voida kuljettaa ajoneuvossa.

9. Pyörätuolin käyttäjän lantio- sekä ylävartalovyöt on kiinnitettävä, jotta käyttäjän pää ja rinta eivät osu ajoneuvon osiin aiheuttaen vakavia vammoja käyttäjälle ja/tai muille matkustajille. (Kuva B) Ylävartalon turvavyö tulee kiinnittää ajoneuvon B-pilariin - jos näin ei tehdä, käyttäjän riski saada vakavia vatsanseudun vammoja kasvaa huomattavasti.

10. Pyörätuoliin on aina asennettava kuljetuksen ajaksi sopiva päntuki (katso päntuen valmistetarra) ja se on sijoitettava sopivaan asentoon.

11. Ryhtitukia (syljihihnat, sylivyöt) ei pidä käyttää pyörätuolin käyttäjän turvajärjestelmänä liikkuvassa ajoneuvossa ellei niitä ole merkitty standardien ISO 7176-19:2001 tai SAE J2249 mukaisiksi.

12. Käyttäjän kuljetuksen aikainen turvallisuus riippuu täysin kiinnityshihnat kiinnittävän henkilön huolellisuudesta; kyseiselle henkilölle on annettava asianmukaiset ohjeet ja/tai koulutus kiinnitysjärjestelmien käyttöä varten.

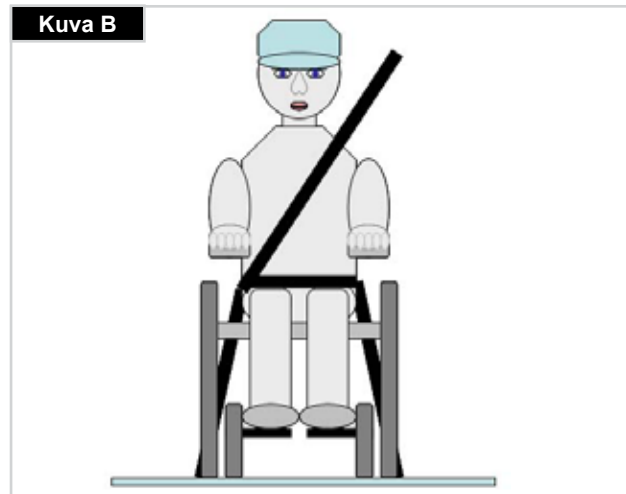
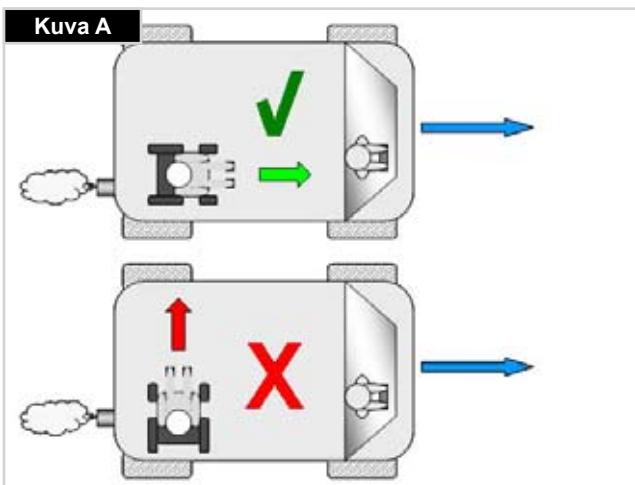
13. Poista ja säilö kaikki lisävarusteet pois pyörätuolin lähetyiltä aina kun mahdollista. Esimerkkejä lisävarusteista: kainalosauvat, irtotyynyt ja tarjotinpöydät.

14. Laskeva/nouseva jalkatuki ei saa olla yläasennossa, kun käyttäjä istuu ajoneuvossa kuljetettavassa pyörätuolissa ja pyörätuoli on kiinnitetty ajoneuvoon pyörätuolin kiinnityshihnoilla ja turvavyöillä.

15. Kallistettavat selkänojat tulee nostaa pystyasentoon.

16. Manuaaliset jarrut on kytkettävä päälle.

17. Turvavyöt tulee kiinnittää ajoneuvon B-pilariin ja pyörätuolin osat (esim. käsinoja tai pyörät) eivät saa pitää niitä erillään vartalosta.



Kuljetettavuus >>>

KÄYTTÄJÄN TURVALLISUUSOHJEET:

1. Lanneyötä on pidettävä alhaalla lantion edessä siten että lanneyön kulma on halutussa kohtaa 30-75 asteen kulmassa. Suurempi (lähellä 75 astetta, mutta ei tätä suurempi) kulma on suositeltava. (Kuva C)

2. Ylävartalon turvavyö on asetettava olkapään päälle ja rinnan yli kuvien D ja E osoittamalla tavalla.

Turvavyöt on kiristettävä mahdollisimman tiukasti säilyttämällä käyttäjän mukavuus

Turvavyöt eivät saa kiertyä kun ne ovat käytössä.

Ylävartalon turvavyö on asetettava olkapään päälle ja sen yli kuvien D ja E osoittamalla tavalla.

3. Pyörätuolin kiinnityspisteet ovat rungon etuosan sisäpuolella aivan tukipyörien yläpuolella ja sivurungon takaosassa. Hihnat kiinnitetään sivukehysten vaaka- ja pystyputkien risteyskohtiin. (katso kuvat G - K)

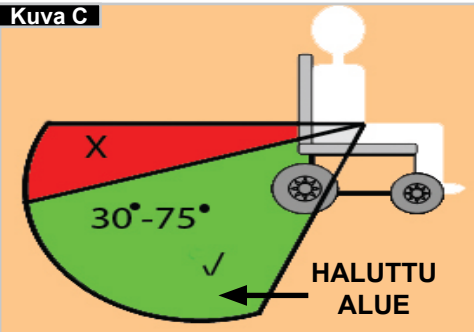
4. Pyörätuolin rungon kiinnityskohdan kuvake (kuva F) osoittaa kiinnityshihnojen kiinnityskohdan. Hihnat kiristetään sen jälkeen, kun pyörätuolin etukiinnityshihnat on asetettu paikoilleen.

PYÖRÄTUOLIN KIINNITYSHIHNOJEN SIJAINNIT:

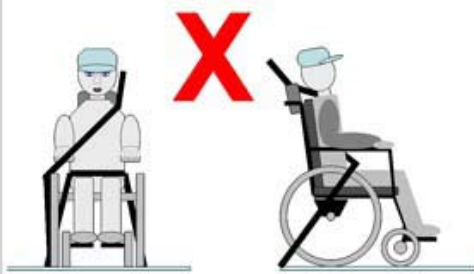
1. Etu- ja takakiinnityskohtien tarrat (kuvat G-H-I).
2. Pyörätuolin etu- (kuva G) ja takakiinnityskohtien (kuvat H-I) ja tarrojen sijainnit.
3. Kiinnityshihan sivukuva (kuva J).

SUOMI

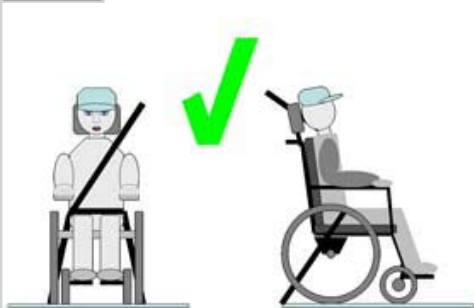
Kuva C



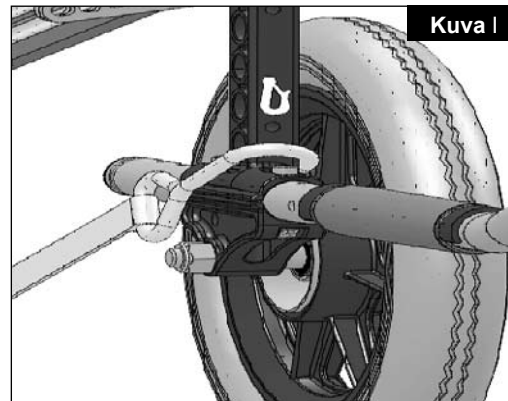
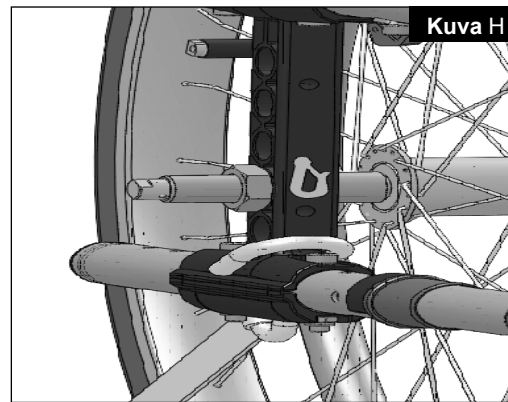
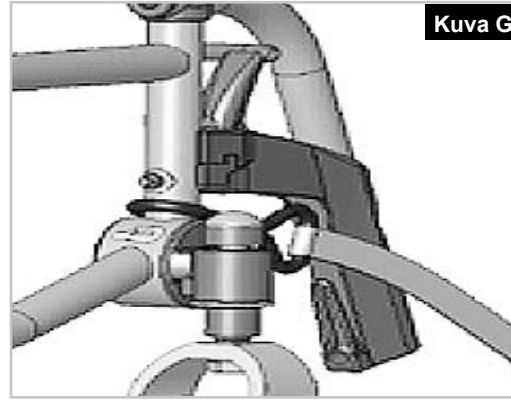
Kuva D



Kuva E



Kuva F



Käsittely

KOKOON TAITTAMINEN

Irrota ensin istuintyyny ja selkänöjan runko pyörätuolista ja nosta jalkalevy tai yksittäiset jalkatuet yläasentoon. Tartu istuimeen kannattimeen tai istuinputkiin keskeltä ja vedä ylöspäin. Pyörätuoli taittuu kokoon. Jos haluat taittaa pyörätuoli mahdollisimman pieneen tilaan esim. autossa kuljettamista varten, voit poistaa jalkatuet (mallista riippuen). Avaa tässä tapauksessa salpa ulkopuolelta ja käännä jalkatuet sivuille. Tämän jälkeen voit vetää jalkatuet irti kannatinputkista (kuva 1).



AUKI LEVITTÄMINEN

Paina istuinputkia alas (katso kuva). Pyörätuoli taittuu auki. Napsauta seuraavaksi istuinputket paikalleen. Kallistamalla pyörätuolia kevyesti sivulle saat putket asettumaan helpommin paikoilleen (pyörätuolin paino jää vain yhden takapyörän varaan). **Varo etteivät sormesi jää poikkiputkien väliin.** Asenna istuintyyny ja selkänöjan runko takaisin paikoilleen (kuva 2).

PYÖRÄTUOLIIN ISTUMINEN OMATOIMISESTI (KUVA 3)

- Pyörätuoli tulee asettaa seinää tai tukevaa huonekalua vasten;
- Jarrujen tulee olla päällä;
- Jalkalevyjen tulee olla yläasennossa;
- Käyttäjä voi nyt laskea itsensä pyörätuoliin;
- Jalkalevyt tulee tämän jälkeen painaa ala-asentoon ja jalat tulee nostaa levyjen päälle kantapäiden lenkkien eteen.



PYÖRÄTUOLISTA NOUSEMINEN OMATOIMISESTI (KUVA 4)

- Jarrujen tulee olla päällä;
- Taittuvien jalkalevyjen tulee olla yläasennossa;
- Pyörätuolin käyttäjä tukee molemmilla käsillä käsinojiin ja kumartuu hieman eteenpäin jotta vartalon paino siirtyy istuimen etuosaan. Molemmat jalat tukevasti maassa ja toinen jalka taaempaan käyttäjä työntää itsensä pystyasentoon.



VAROITUS!

- Kun nouset seisomaan, älä seiso jalkatukien päällä, koska pyörätuoli kaatuu tässä tapauksessa. Pääset helpommin ja turvallisemmin pyörätuoliin, kun nostat jalkalevyt ylös tai poistat ne pyörätuolista.
- Kytke aina pyörätuolin jarrut päälle pyörätuoliin noustessasi ja siitä poistuessasi.

Lisävarusteet - Kynnyspolkimet

KYNNYSPOLKIMET

Kynnyspolkimet on tarkoitettu avustajan avuksi kallistettaessa pyörätuolia esteen yli. Astu tangon päälle työntääksesi pyörätuoli esim. katukiveyksen tai askelman yli (kuva 5).



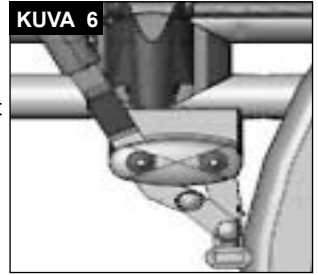
HUOMIO!

Sunrise Medical suosittelee ehdottomasti kynnyspolkimien käyttöä kaikissa kuljetuspyörillä varustetuissa malleissa sekä kaikissa malleissa, joiden kuljetuksesta vastaa etupäässä avustaja, koska työntökahvat voivat vaurioitua, jos pyörätuolia kallistetaan niitä käyttäen taaksepäin esteitä ylitettäessä.

Lisävarusteet - Jarrut

PYÖRIEN JARRUT

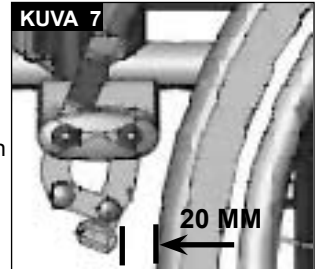
Pyörätuolissasi on kaksi jarrua. Ne painavat suoraan renkaita vasten. Aktivoi jarrut työntämällä molempia jarruvipuja eteenpäin. Vapauta jarrut vetämällä jarruvivut takaisin alkuperäiseen asentoon.



Jarrutesteho heikkenee, kun:

- Renkaan kulutuspinna on kulunut
- Rengaspaine on liian alhainen
- Renkaat ovat märät
- Pyörien jarrut on säädetty väärin

Pyörien jarruja ei ole tarkoitettu liikkuvan pyörätuolin pysäyttämiseksi. Älä koskaan pysäytä liikkuvaa pyörätuolia pyörien jarruja käyttäen. Jarruta aina kelausvanteilla. Varmista, että renkaiden ja pyörien jarrujen välisväly vastaa valmistajan määräyksiä. Säädä välisväly löysäämällä ruuvi ja määrittämällä oikea arvo. Kiristä ruuvi uudelleen (kuva. 6-7).



HUOMIO!

Tarkasta jarrujen välisväly aina takapyörien säädön yhteydessä ja säädä välisväly tarvittaessa. Jos pyörän jarru asennetaan liian lähelle pyörää, sen käyttämiseksi tarvitaan enemmän voimaa. Jarruvipu voi hajota tämän seurauksena! Jarruvipu hajoaa, jos siihen nojataan pyörätuoliin/-tuolista noustessa! Renkaista roiskuva vesi voi estää pyörien jarrujen toiminnan.

RUMPUJARRUT

Avustaja voi jarruttaa pyörätuolia turvallisesti ja kätevästi rumpujarrujen avulla. Ne voidaan myös säätää lukitusvivun (1) avulla estämään pyörätuolin rullaus. Vivun on mentävä kuuluvasti paikalleen. Renkaiden ilmanpaine ei vaikuta rumpujarrujen toimintaan. Pyörätuolia ei voi liikuttaa kun rumpujarrut ovat päällä (kuva 8).



HUOMIO!

Ainoastaan valtuutettu jälleenmyyjä saa säätää rumpujarrut.

Lisävarusteet - Jalkalevyt

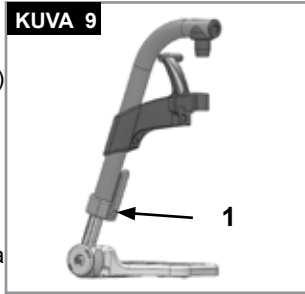
JALKALEVYT:

Jalkalevyt voidaan kääntää ylös pyörätuolista nousemisen ja pyörätuoliin istumisen helpottamiseksi.

Säätö säären pituuden mukaan:

Pitkäjalkaiset käyttäjät voivat laskea jalkatuen sopivalle tasolle ruuvien (1) avulla. Löysää ruuvit, työnnä varret haluttuun asentoon ja kiristä ruuvit (katso vääntömomenttia koskeva kohta).

Jalkalevyjen ja maanpinnan väliin on jätävä vähintään 2,5 cm välys (kuva 9).



Kallistuskulman säädöllä varustettu jalkalevy

Jalkalevyyn kallistuskulma maahan nähden on säädettävissä. Avaa ruuvi, vedä sitä sisään, aseta haluttu kulma ja työnnä ruuvi takaisin paikalleen. Kiristä ruuvi säädön jälkeen.

Varmista säädön jälkeen, että kaikki ruuvit on kiristetty oikein (katso vääntömomenttia koskeva sivu).

Varmista, että maanpintaan jää tarvittava vähimmäisvälys (2,5 cm) (kuva 10).



! HUOMIO!

- Jalkatukia ei saa käyttää pyörätuolin nostamiseen tai kantamiseen.
- Älä käytä jalkalevyjä noustessasi pyörätuoliin tai siitä poistuessasi. Ne tulee kääntää etukäteen ylös tai jalkatuet tulee kääntää mahdollisimman paljon sivuille.

LISÄVARUSTE - NOSTETTAVA

JALKATUKI

(Kuva 11-13)

Irrota jalkatuki vetämällä vipua (1), siirrä jalkatuki ulospäin ja nosta sitten jalkatuki irti.

KORKEUDENSÄÄTÖ

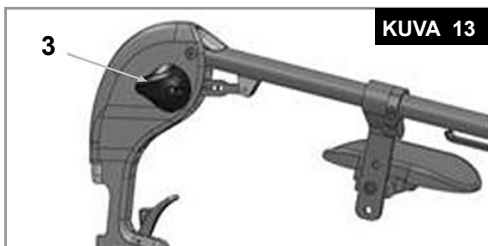
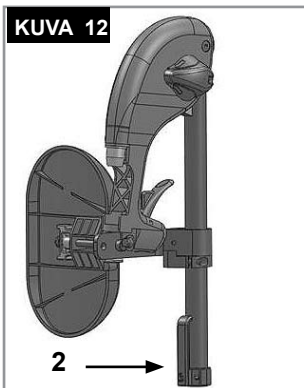
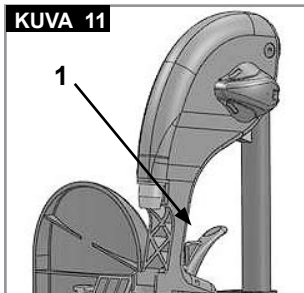
Sääripituutta voi säätää rajattomasti vapauttamalla ruuvin (2). Säädä sopiva pituus ja kiristä ruuvi.

! HUOMIO!

Jalkalevyjen ja maanpinnan väliin on jätävä vähintään 40 mm välys.

KULMAN SÄÄTÖ:

Paina vipua (3) alas yhdellä kädellä ja tue jalkatukea toisella kädellä. Kun saavutat halutun kulman, irrota vivusta ja jalkatuki lukkiutuu asentoonsa.

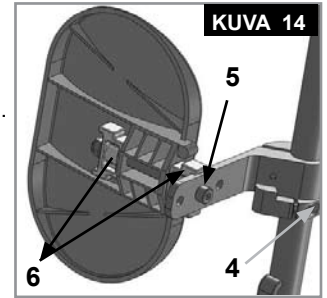


POHJETYYNYN SÄÄTÖ

(Kuva 14).

Pohjetyyny voidaan säätää seuraavalla tavalla:

Korkeus: avaa pultti (4) ja siirrä kiinnityskappale haluttuun asentoon. Voit säätää tyynyn kulmaa kääntämällä kiinnityskappaletta. Syvyys: avaa pultti (5) ja siirrä pohjetyyny haluttuun asentoon. Leveys: avaa pultti (5) ja asenna aluslevyt (6) tyynyn taakse halutun asennon saavuttamiseksi.



! VAROITUS!

! Pidä kätesi loitolla rungon ja jalkatuen liikkuvien osien välisestä säädettävästä mekaniismista nostaessasi tai laskiessasi jalkatukea.

- Varmista aina, että kiinnittimet on kiinnitetty kunnolla.
- Jalkatukia ei saa käyttää pyörätuolin nostamiseen tai kantamiseen.
- Sormet voivat jäädä puristukseen! Älä laita sormiasi säätömekanismin liikkuvien osien väliin nostaessasi tai laskiessasi jalkatukia.

AMPUTAATIOTUKI

(Kuva 15).

Amputaatiotuki on säädettävissä kaikissa suunnissa.



Lisävarusteet - Kääntyvät etupyörät

TUKIPYÖRÄT, TUKIPYÖRIEN LEVYT JA HAARUKAT

Pyörätuoli voi puoltaa lievästi oikealle tai vasemmalle tai kääntyvät etupyörät voivat vaappua. Tämä voi johtua seuraavista syistä:

- Pyörän liikettä eteen- ja/tai taakse ei ole säädetty oikein.
- Tukipyörän kulmaa ei ole säädetty oikein.
- Tukipyörän ja/tai kuljetuspyörän rengaspaine on väärä; pyörät eivät käänny riittävän vapaasti.

Pyörätuoli ei kulje suoraan jos kääntyvät etupyörät on väärin säädetty. Etupyörän säätö on aina annettava valtuutetun jälleenmyyjän tehtäväksi. Pyörän jarrut on tarkastettava aina, kun takapyörän asentoa on muutettu.

Lisävarusteet - Etupyörän sovitin

Istuimen korkeus määräytyy etu- ja takapyörän sijainnin mukaan. Istuimen korkeutta voidaan säätää muuttamalla taka- ja etupyörän asentoa ja välilevyjä käyttämällä.

! HUOMIO!

Kaikki ruuvit on kiristettävä uudelleen ja pyörän jarrut on säädettävä uudelleen istuimen korkeudensäädön jälkeen.



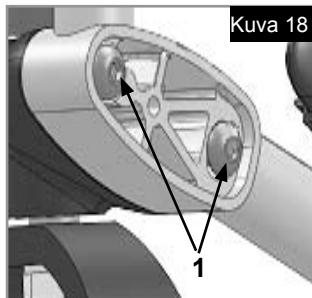
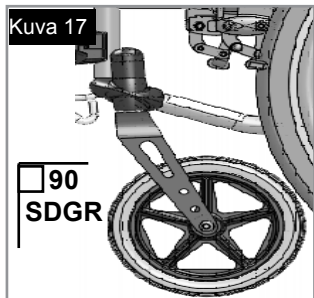
Lisävarusteet – Etupyörien sovitin >>>

HUOMAUTUS:

Etupyörien akselin kulmaa voi muuttaa säätämällä etu-/takapyörien asentoa. Kulman tulisi olla aina noin 90°.

TUKIPYÖRIEN AKSELIN KULMAN SÄÄTÖ:

Vapauta ruuvit (1), vedä tukipyörän sovitin ulos, säädä 90° kulma ja kiristä ruuvit (kuva 17-18).



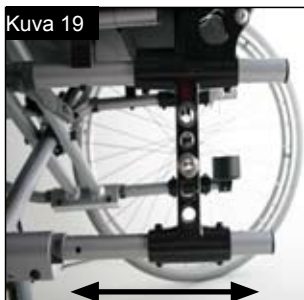
⚠️ HUOMIO!

Molempien tukipyörien akselit on säädettävä samaan kulmaan (tarkasta merkitsemällä).

AKSELIN VAAKA-ASENTO

Liikuttamalla akselilevyä eteenpäin saavutetaan parempi ohjattavuus, taaksepäin liikuttamalla puolestaan parempi tasapaino (kuva 19).

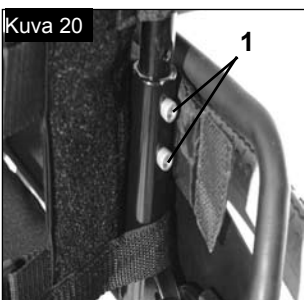
Mitä suurempi pyörävälä, sitä paremmin pyörätuoli on suojattu kaatumiselta.



Lisävarusteet - Selkänöja

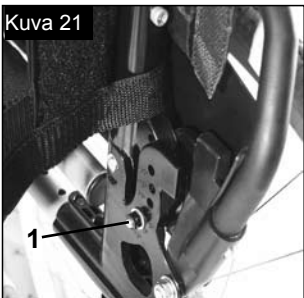
KORKEUDENSÄÄDÖLLÄ VARUSTETTU SELKÄNOJA

Selkänöja voidaan säätää kahteen tai kolmeen eri korkeuteen (mallista riippuen) (41 cm, 43,5 cm ja 46 cm). Löysää ja irrota pultit (1)+(2) ja työnnä selkänöjan putki haluttuun asentoon. Kiristä pultit uudelleen (kuva 20).



SÄÄDETTÄVÄ SELKÄNOJAN KALLISTUSKULMA

Selkänöjan kallistuskulma voidaan säätää kuuteen eri asentoon (-5° eteen, 0°, 5°, 10°, 15° and 20° taakse). Säädä kulma irrottamalla ruuvi (1), valitsemalla haluttu kallistuskulma ja kiristämällä ruuvi (kuva 21).



SÄÄDETTÄVÄ SELKÄNOJAN KALLISTUSKULMA (7° - 30°)

Vetämällä molemmat vivut (1) yhteen vapautat selkänöjan ja voit säätää sen haluttuun asentoon.

Kun vapautat molemmat vivut (1), selkänöja lukkiutuu automaattisesti valittuun asentoon (kuva 22).



⚠️ HUOMIO!

- Suosittellemme, että säädettävää selkänöjaa käytetään yhdessä pidennetyn akselivälän kanssa.
- Suosittellemme, että säädettävää selkänöjaa käytetään yhdessä kaatumasteiden kanssa (suurin mahdollinen maavara 3 – 5 cm).
- Suosittellemme, että säädettävää selkänöjaa käytetään yhdessä tukitangon kanssa.

KESKELTÄ TAITTUVA SELKÄNOJA

Selkänöjan nostaminen yläasentoon: Nosta selkänöja yläasentoon työntämällä kahvoja ylös- ja eteenpäin kunnes ne lukkiutuvat.

⚠️ VAROITUS!

Pidä sormet ja muut esineet poissa taittuvasta mekanismista selkänöjaa taittaessa loukkaantumisen ja aineellisten vaurioiden välttämiseksi.



Selkänöjan taittaminen taakse: Selkänöja voidaan taittaa taaksepäin pyörätuolin varustoinnin helpottamiseksi.



⚠️ HUOMIO!

Älä käytä kuormitettuna, vipu voi rikkoutua.

Selkänöjan taittaminen taakse: seiso pyörätuolin takana ja paina kahta pientä vipua, (kuva 23 - 24) jotka sijaitsevat selkänöjan molemmin puolin (aivan käsinojen yläpuolella). Taita selkänöja taakse.

HIHNALLISEN SELKÄNOJAN SÄÄTÖ

Säädettävä hihnallinen selkänöja voidaan säätää kiristyshihnojen avulla (kuva 25).

⚠️ HUOMIO!

Älä vedä kiristyshihnaa liian kireälle; se voi muuten haitata pyörätuolin taittomekanismin toimintaa.



Lisävarusteet – Sivusuoja

TAVALLINEN SIVUSUOJA, YLÖS KÄÄNNETTÄVÄ, IRROTETTAVA LYHYILLÄ TAI PITKILLÄ KÄSINOJILLA

Etuosastaan pyörästetyt sivusuojat mahdollistavat pyörätuolin ajamisen pöydän lähelle. Nosta käsinoja ylös painamalla vipua (1) siten, että sivusuoja vapautuu (kuvat 26 + 27).



Käsinojan korkeus (2) voidaan säätää asentamalla välilevy eri asentoihin. Irrota ruuvit, siirrä välilevyä ja kiristä ruuvit. Käsinojan pituutta voi säätää irrottamalla ruuvit (3) ja siirtämällä käsinoja haluttuun asentoon ja kiristämällä ruuvit paikalleen (kuva 27).



Lisävarusteet – Sivusuoja >>>

⚠ HUOMIO!

Pyörätuolia ei saa nostaa eikä kantaa sivusuojusta tai käsinojista kiinni pitäen.

⚠ HUOMIO!

Varo sormiasi säätäessäsi käsinojan korkeutta.

SIVUSUOJA, YLÖS KÄÄNNETTÄVÄ, IRROTETTAVA, LYHYILLÄ TAI PITKILLÄ KÄSINOJILLA, KORKEUDENSÄÄDÖLLÄ

Käsinojan korkeus säädetään näin: Paina vipu alas ja siirrä käsinoja haluttuun korkeuteen. Vapauta vipu ja paina käsinojaa alaspäin kunnes se napsahtaa kuuluvasti paikalleen. Tarkasta aina, että sivusuojat on asennettu oikein paikoilleen. Nosta käsinoja ylös painamalla vipua (1) siten, että sivulaita vapautuu.



Voit säätää käsinojan pituutta irrottamalla ruuvit (2), työntämällä käsinojan haluttuun asentoon ja kiristämällä ruuvit takaisin paikoilleen (kuva 28).

⚠ HUOMIO!

Pyörätuolia ei saa nostaa eikä kantaa sivusuojusta tai käsinojista kiinni pitäen.

⚠ HUOMIO!

Jos pyörätuolissa käytetään 24" takapyörää, käsinoja on nostettava pykälän verran ylöspäin.

KESKIKIINNITTEISET KORKEUSSUUNNASSA SÄÄDETTÄVÄT KÄSINOJAT

Sääda korkeus vetämällä vipua (1) ja siirtämällä käsinoja haluttuun korkeuteen. Varmista säädön jälkeen, että vipu (1) lukkiutuu takaisin asentoonsa. Käsinoja poistetaan samalla tavalla.



Poista sivusuoja kokonaan työntämällä vipua (2). Sivusuoja asennettaessa on lisäksi vedettävä vipua (2). Varmista aina, että sivusuoja lukkiutuu oikein pidikkeeseen. (kuva 29).

Lisävarusteet – Kaatumaesteet

KAATUMAESTEET

Kaatumaesteet antavat lisäturvaa kokemattomille käyttäjille, jotka vasta opettelevat käyttämään pyörätuolia. Ne estävät pyörätuolia kaatumasta taaksepäin. Kaatumaeste tulee työntää runkoputkeen siten, että ensimmäinen kahdesta jousipainikkeesta työntyy runkoputken ensimmäiseen reikään (kuva 30).



⚠ VAROITUS!

Kaatumaesteiden väärä asennustapa lisää taaksepäin kaatumisen vaaraa. Kaatumaesteet on käännettävä ylös ylitettäessä isoja esteitä (esim. katukiveys) ylä- tai alasuunnassa, jotta ne eivät ota kiinni maahan. Käännä ne lopuksi takaisin tavalliseen asentoon.

HUOMAUTUS: Älä työnnä kaatumaesteiden molempia jousipainikkeita runkoputkeen; kaatumaeste voi vaurioitua ja menettää toimintatehonsa. Turvapyörät voidaan nostaa ylös tai poistaa vapautuspainiketta painamalla. Putken ja maan väliin on aina jätävä 3 - 5 cm välys. Turvapyörät on nostettava ylös suurista esteistä (esim. katukiveys) ylitettäessä ylä- tai alasuunnassa, jotta ne eivät kosketa maahan. Käännä turvapyörät esteen ylityksen jälkeen takaisin normaaliin asentoon (kuva 30).

⚠ VAROITUS!

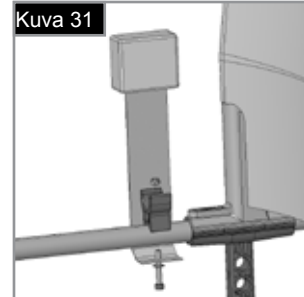
Kaatumaesteiden väärä asennustapa lisää taaksepäin kaatumisen vaaraa.

⚠ VAROITUS!

Varmista ennen pyörätuolin käyttöä, että lantiovyö on kiinnitetty ja että se on oikein säädetty.

Lisävarusteet – Lantiovyö

Lantiovyö on kiinnitetty pyörätuoliin kuvissa näkyvällä tavalla. Istuinvyö koostuu kahdesta osasta. Ne kiinnitetään pyörätuoliin istuintuen kiinnityspultilla vyön silmukan lävitse. Istuinvyö johdetaan sivulaidan takaosan alitse. (kuva 31) Sääda vyö siten, että soljet ovat istuimen keskellä. (kuva 32)



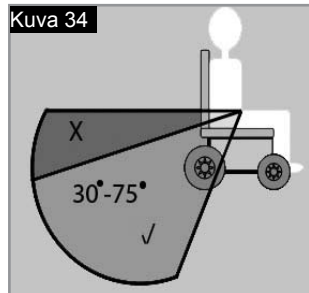
Sääda vyö käyttäjälle sopivaksi seuraavalla tavalla:


Vyön pidentäminen	Vyön lyhentäminen	✓
Pidennä lantiovyötä syöttämällä vyötä eteenpäin vyönohjaimien ja solkiosan läpi.	Lyhennä lantiovyötä vetämällä vyötä taaksepäin vyönohjaimien ja solkiosan läpi.	Varmista, ettei vyö pääse kiertymään solkiosassa.

Lisävarusteet – Lantiovyö >>>

Kun lantiovyö on kiinnitetty, tarkista että vyö on säädetty oikein: vyön ja käyttäjän väliin tulee voida työntää enintään litteäksi ojennettu kämmen. (kuva 33)

Lantiovyö tulisi asentaa siten, että vyöihinat yhdistyvät noin 45 asteen kulmassa. Lantiovyö on säädetty oikein, kun se estää käyttäjän valumisen alaspäin istuimella. (kuva 34)



	
	
Vyön kiinnitys: Työnnä solkiosa tukevasti lukko-osaan.	Vyön avaus: Paina soljen lukoreunoja sisään-päin / paina lukitusosan keskiössä sijaitsevaa painiketta ja vedä solki kevyesti ulos.

NEUVOJA KÄYTTÄJÄLLE

VAARA!

- Älä käytä vain lantiovyötä, jos pyörätuolia kuljetetaan autossa käyttäjän istuessa pyörätuolissa; käytä myös auton turvavöitä.
- Suosittellemme, että tarkastat ennen käyttöä, että istuinvyö on säädetty oikein, liikkuu vapaasti, ei ole vaurioitunut ja että solki lukkiutuu kunnolla.
- Lantiovyön kiinnityksen ja oikean säädön tarkastamatta jättäminen ennen pyörätuolin käyttöä voi johtaa käyttäjän vakavaan loukkaantumiseen. Jos lantiovyö on esimerkiksi liian löysällä, käyttäjä voi valua istuimella alaspäin ja joutua kuristuksiin.

HUOLTO:

Tarkasta lantiovyö ja vyön kiinnityskohdat säännöllisesti kulumien ja vaurioiden varalta. Vaihda tarvittaessa. Puhdista lantiovyö lämpimällä saippuavedellä ja anna vyön kuivua.

VAARA!

Lantiovyö on säädettävä käyttäjälleen sopivaksi edellä mainittujen ohjeiden mukaisesti. Sunrise Medical suosittelee myös, että lantiovyön pituus ja kireys tarkastetaan säännöllisesti - käyttäjä voi huomaamattaan pidentää tai lyhentää lantiovyötä. Jos istuinvyön käyttö tuntuu epäselvältä, pyydä apua lääkintähenkilöltä, pyörätuolin myyjältä tai avustajaltasi.

Lisävarusteet – Istuin

VAKIOMALLINEN ISTUIN

Istuimen toisella puolella on tarranauha, jonka avulla istuimen asentoa voidaan säätää portaattomasti. Aloita istuimen säätö taivuttamalla pyörätuoli kokoon. Vedä seuraavaksi etuosassa olevat suojatulpat irti rungosta. Nyt voit vetää istuimen pois rungosta. Avaa tarranauha ja säädä istuimen asento. Asenna istuin paikalleen vastakkaisessa järjestyksessä (kuva 39)



HUOMIO!

- Käyttöturvallisuus vaatii, että tarranauhat ovat tarttuneet toisiinsa vähintään 50 % alueelta.
- Istuinta ei saa vetää liian kireälle, ettei se häiritse pyörätuolin taittomekanismin toimintaa. Istuimen syvyys

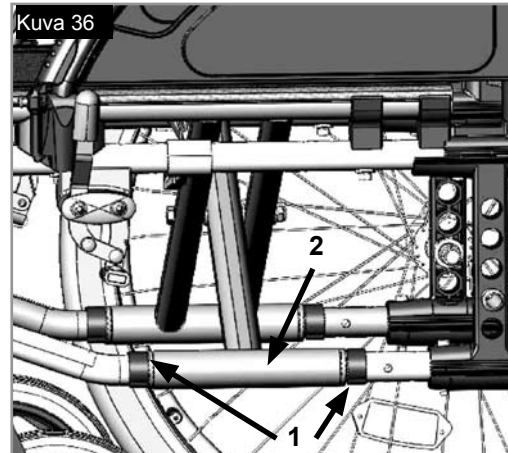
Lisävarusteet – Istuimen syvyys

ISTUIMEN SYVYYS

Poistamalla sokat (1) voit liikuttaa poikkitukea (2) rungon pituussuunnassa ja säätää siten istuimen syvyyttä (takaputkien sijainnista riippuen).

Varmista, että sokat (1) napsahtavat kiinni rungossa oleviin reikiin.

Jos haluat pitää rungon mahdollisimman pienenä, voit säätää istuimen syvyyttä myös takaputkien avulla (41 – 46 cm, askelväli 2,5 cm). Irrota takaputken pidikkeen ruuvit (1 ja 2). Poista pyörät ja käsinojat ja varmista, että poikkituki on halutussa asennossa (liikuta poikkitukea edellä kuvatulla tavalla). Siirrä takaputket haluttuun asentoon ja kiristä kaikki ruuvit. Siirrä käsinojien kannatinputket haluttuun asentoon (kuva 36).



Lisävarusteet – Työntökahvat

KORKEUSSUUNNASSA SÄÄDETTÄVÄT TYÖNTÖKAHVAT

Kahvat on kiinnitetty tapeilla, jotka estävät niiden tahattoman irtoamisen. Vapauttamalla vapautusvipun (1) voit säätää työntökahvojen korkeuden sopivalle tasolle. Vedä aina työntökahvojen korkeuden säädön jälkeen vapautusvipua (1) kunnes se on kireällä (kuva 37).



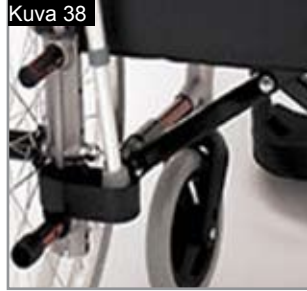
HUOMIO!

Jos vipua ei ole kiristetty paikalleen, esteiden yli nostettaessa voi sattua tapaturma.

Lisävarusteet - Keppiteline

KEPPITELINE

Tämä lisälaite mahdollistaa kainalosauvojen kuljetuksen pyörätuolissa. Teline on varustettu tarranauhalla, jonka avulla siihen voidaan kiinnittää kainalosauvat ja muita apuvälineitä (kuva 38).



VAROITUS!

Älä koskaan yritä irrottaa sauvoja tai muita apulaitteita pyörätuolin liikkussa.

Lisävarusteet - Terapia-alusta

TERAPIA-ALUSTA

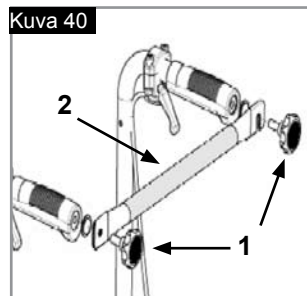
Litettä alusta, joka soveltuu hyvin useihin tehtäviin. Alusta on ennen ensimmäistä käyttökertaa säädettävä istuimen leveyteen sopivaksi valtuutetun jälleenmyyjän toimesta. Käyttäjän on istuttava pyörätuolissa säätöä suorittaessa (kuva 39).



Lisävarusteet - Vakaajatanko

VAKAAJATANKO

Avaa tähtinuppi (1) ja käännä vakaajatanko (2) pois tieltä ennen kuin taitat pyörätuolin kokoon. Avaa pyörätuoli suorittamalla edelliset toimenpiteet päinvastaisessa järjestyksessä.



VAARA!

- Varmista ennen pyörätuolin käyttöä, että vakaajatanko ja tähtinuppi ovat paikallaan ja kunnolla kiristettyjä.
- Älä koskaan nosta pyörätuolia vakaajatangosta kiinni pitäen!

Lisävarusteet - Siirtopyörät

SIIRTOPYÖRÄT

Siirtopyörät on tarkoitettu käytettäväksi paikoissa, joissa takapyörien leveys estää etenemisen (esim. lentokoneet, linja-autot jne.). Kun kuljetuspyörät on irrotettu pikalukkoja käyttäen, siirtopyöriä voidaan käyttää heti ajamisen jatkamiseksi. Siirtopyörät sijaitsevat noin 3 cm:n korkeudella maanpinnasta silloin kun niitä ei käytetä. Niistä ei toisin sanoen ole haittaa pyörätuolilla ajettaessa, pyörätuolia kuljetettaessa ajoneuvossa tai pyörätuolia kallistettaessa esteitä ylitettäessä (esim. reunakiveykset, askelmat jne.) (kuva 41).



VAARA!

Pyörätuolin jarrut eivät ole käytettävissä siirtopyörillä ajettaessa.

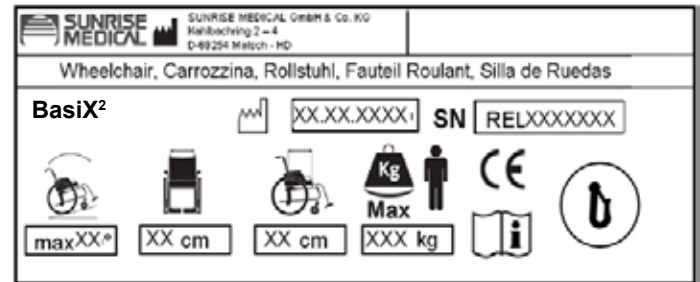
Valmistekilpi

Valmistekilpi

Valmistekilpi sijaitsee joko poikkiputkessa tai poikkirungossa sekä käyttöoppaassa. Valmistekilvestä ilmenee tarkka malli ja muut tekniset tiedot. Ilmoita seuraavat tiedot tilatessasi varaosia tai takuukäsittelyssä:

Pyörätuolimme jatkuvan tuotekehittelyn johdosta tekniset tiedot voivat vaihdella jonkin verran esitekuviin verrattuna. Kaikki painot/

MALLI



BasiX²
XXXXX-XXX

Tuotenimi/SKU-numero.



Suurin turvallinen rinteiden kaltevuus katumaesteet asennettuina; vaihtelee pyörätuolin ominaisuuksien sekä käyttäjän asennon ja fyysisten kykyjen mukaan.



Istuimen leveys.



Syvyys (enintään).



Enimmäiskuormitus.



CE-merkintä



Käyttöopas.



Törmäystestattu.



Valmistuspäivä.



Sarjanumero.

mitat ja tekniset tiedot ovat likimääräisiä ja esitetään ainoastaan opastusmielessä.

Sunrise Medical noudattaa lääkinällisiä laitteita koskevan direktiivin 93/42/EEC vaatimuksia.



Kaikkia pyörätuoleja on käytettävä valmistajan käyttöohjeiden mukaisesti.

Sunrise Medical GmbH & Co.KG
Kahlbachring 2-4
69254 Malsch/Heidelberg
Saksa
Tel.: +49 (0) 7253/980-0
Fax: +49 (0) 7253/980-111
www.sunrisemedical.com

Renkaat ja asennus

RENKAAT JA ASENNUS

Vakioitoimitukseen kuuluu kiinteät renkaat. Ilmarenkaita käytettäessä tulee varmistaa että rengaspaineet ovat oikeat; se vaikuttaa pyörätuolin ajo-ominaisuuksiin. Jos rengaspaine on liian alhainen, vierintävastus kasvaa ja pyörätuolin liikuttaminen eteenpäin on vaikeampaa. Alhainen rengaspaine heikentää myös ohjattavuutta. Jos rengaspaine on liian korkea, rengas voi räjähtää. Rengaskohtainen oikea paine lukee renkaan kyljessä (min. 3.5 bar).

Renkaat asennetaan samalla tavalla kuin polkupyörän renkaat. Tarkasta aina ennen uuden sisärenkaan asennusta ettei vanteessa ja sisärenkaassa ole vieraita esineitä. Tarkasta paine renkaan asennuksen ja korjauksen jälkeen Käyttäjän turvallisuuden ja pyörätuolin toiminnan kannalta on ehdottoman tärkeää, että rengaspaineet pidetään oikeina ja renkaat ovat hyvässä kunnossa.

Ylläpito ja huolto

TURVATARKASTUS:

Käyttäjänä huomaat ensimmäisenä mahdolliset toimintahäiriöt. Siksi suosittelemme, että tarkastat ennen jokaista käyttökertaa, että:

Rengaspaine on oikea.
Jarrut toimivat oikein.
Kaikki irrotettavat osat on kiinnitetty tukevasti (e.g. esim. käsinojat, jalkatuet, pyörien pikalukot jne.).
Ilmoita mahdolliset vauriot ja toimintahäiriöt jälleenmyyjällesi.

HUOLTO:

Tarkasta rengaspaineet säännöllisesti.
Tarkasta kaikki renkaat kulumien ja vaurioiden varalta säännöllisesti, vähintään kerran vuodessa. Vaihda renkaat heti, jos niissä ilmenee kulumia tai vaurioita.
Tarkasta istuin ja selkänoja kulumien ja vaurioiden varalta säännöllisesti, vähintään kerran vuodessa. Vaihda ne heti, jos niissä ilmenee kulumia tai vaurioita.
Tarkasta kaikki rungon ja selkänojan osat kulumien ja vaurioiden varalta säännöllisesti, vähintään kerran vuodessa. Vaihda ne heti, jos niissä ilmenee kulumia tai vaurioita.
Tarkasta jarrut kulumien ja vaurioiden varalta säännöllisesti, vähintään kerran vuodessa. Tarkasta että ne toimivat oikein ja että niitä on helppo käyttää. Vaihda jarrut heti, jos niissä ilmenee kulumia tai vaurioita.
Tarkasta kaikkien pulttien oikea kiristys (katso vääntömomenttia koskeva kohta) säännöllisesti, vähintään kerran vuodessa. Kaikki pyörätuolin turvallisen käytön kannalta kriittiset ruuvit on varustettu lukkomuttereilla. Lukkomuttereita tulee käyttää vain kerran, jonka jälkeen ne on korvattava uusilla.

HUOMAUTUS: Jos vääntömomentti on ilmoitettu, suosittelemme ehdottomasti, että oikean momentin saavuttaminen tarkastetaan vääntömomentin mittarilla.

Puhdista pyörätuoli ainoastaan miedolla pesuaineella. Puhdista istuimen päällinen ja lantiovyö ainoastaan saippualla ja vedellä. Suosittelemme käyttöihyeyden ja käyttötavan huomioiden pyörätuolin toimittamista valtuutetun jälleenmyyjän koulutetun henkilökunnan huollettavaksi säännöllisesti, vähintään kerran vuodessa.



HUOMIO!

Hiekka, suola ja merivesi voivat vaurioittaa etu- ja takapyörien laakereita. Kuivaa ja puhdista pyörätuoli huolellisesti, jos se on altistunut näille tekijöille.

KÄYTTÖÖN LIITTYVÄ HYGIENIA:

Pyörätuolin kaikki pinnat, jotka voivat olla kosketuksissa käyttäjän kanssa tulee puhdistaa huolellisesti desinfiointiaineella ennen pyörätuolin luovuttamista seuraavalle käyttäjälle.

Jos puhdistus on suoritettava nopeasti, siihen on käytettävä lääkintälaitteiden puhdistukseen soveltuvaa alkoholipohjaista desinfiointiainetta.

Noudata desinfiointiaineen valmistajan antamia käyttöohjeita.

Vianmääritys

Pyörätuoli puoltaa jommalle kummalle puolelle

- Tarkasta rengaspaineet
- Tarkasta, että pyörät pyörivät helposti (laakerit, akseli)
- Tarkasta tukipyörien kulma
- Varmista että molemmat tukipyörät koskettavat maahan

Tukipyörät alkavat vaappua

- Tarkasta etupyörien kulma
- Tarkasta että kaikki pultit on kunnolla kiristetty; kiristä tarvittaessa (katso vääntömomenttia koskeva kohta)
- Varmista että molemmat etupyörät koskettavat maahan

Pyörätuoli narisee ja rämisee

- Tarkasta että kaikki pultit on kunnolla kiristetty; kiristä tarvittaessa (katso vääntömomenttia koskeva kohta)
- Lisää vähän voiteluainetta kohtiin, joissa liikkuvat osat koskettavat toisiaan

Pyörätuoli alkaa vaappua

- Tarkasta tukipyörien kulma
- Tarkasta rengaspaineet
- Tarkasta ovatko kuljetuspyörät säädetty toisistaan poikkeavasti

Materiaalien hävittäminen/kierrätys

HUOMAUTUS: Jos et ole maksanut mitään pyörätuolista se ei ehkä ole omaisuuttasi. Jos et enää tarvitse pyörätuolia, noudata pyörätuolin antaneen tahon ohjeita pyörätuolin palauttamiseksi.

Ohessa esitetään pyörätuolin materiaalit ja pyörätuolin ja sen pakkauksen kierrätykseen ja hävittämiseen liittyvät tiedot. Noudata paikallisia kierrätykseen ja jätteiden hävittämiseen liittyviä määräyksiä mikäli aiot toimittaa pyörätuolin kierrätettäväksi tai hävitettäväksi. (Määräyksissä voidaan myös vaatia, että pyörätuoli puhdistetaan tai desinfioidaan ennen hävittämistä).
Alumina: etupyörien haarukat, pyörät, sivurungot, käsinojat, runko, jalkatuet, työntökahvat
Terästä: kiinnittimet, pikakiinnitysakseli
Muovia: kädensijat, tulpat, kääntyvät etupyörät, jalkalevyt, kyynärnojat ja 12" pyörät/renkaat
Pakkausmateriaali: huokoinen polyeteenipussi, pahvilaatikko
Verhoilu: polyesterikudos, PVC-pinnoite ja vaahtomuovi.
Jätteiden hävitys ja kierrätys tulee antaa virallisesti hyväksytyyn toimipisteen suoritettavaksi. Pyörätuoli voidaan vaihtoehtoisesti palauttaa jälleenmyyjälle kierrätettäväksi.



Tekniset tiedot

Kokonaisleveys:

Kelausvanteilla varustetuilla vakiopyörillä, lähelle asennettuna:
vakiopyörä +19 cm
Kelausvanteilla ja rumpujarruilla varustetuilla pyörillä, lähelle
asennettuna:
vakiopyörä +21 cm

Mitat taitettuna:

Vakiopyörillä = 30 cm

Ilman vakiopyörää = 24 cm

Enimmäiskuormitus:

Enintään 125 kg

Paino kiloissa:

Kuljetus (ilman jalkatukea, pyöriä, sivusuojia)	8,4 kg
Jalkatuki (yksikkö):	0,8 kg
Tavallinen sivulaita (kokonaisuus):	0,8 kg
24" takapyörät (kiinteät) (pari):	3,8 kg

ENIMMÄISKUORMITUS: 125 KG

KATSO MYÖS SIVU 5

Standardin EN12183: 2009 mukaisesti kaikki osat (istuin - selkänöjan verhoilu, käsinoja, sivupaneelit jne.) ovat palonkestäviä standardissa EN1021-2 esitetyllä tavalla.

Rinteissä ajettaessa pyörätuolin dynamiikkaan vaikuttavat pyörätuolin asetukset, käyttäjän taidot ja ajotyyli. Käyttäjän taitoja ja ajotyyliä ei voida määrittää ennalta, joten suurimman turvallisen kallistuskulman määrittäminen ei ole mahdollista. Käyttäjän on tästä syystä selvítettävä tämä parametri itse avustajan kanssa, joka estää pyörätuolia kaatumasta. Jos pyörätuolin käyttäjä on kokematon, kallistuksen estävien tukipyörien käyttö on erittäin suositeltavaa.

Pyörätuoli täyttää seuraavien standardien vaatimukset:

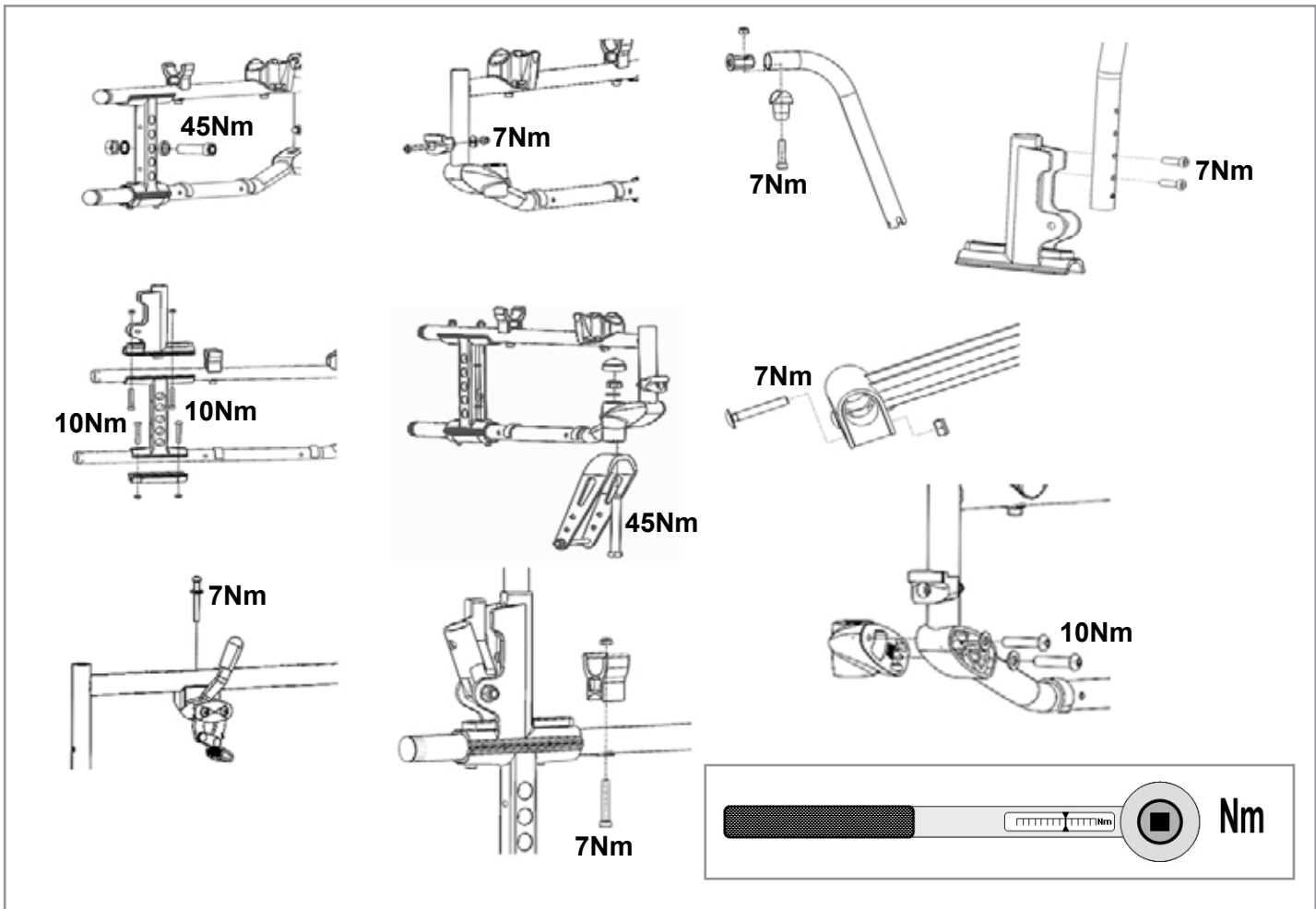
- Vaatimukset ja testitavat staattisille, törmäys- ja väsymislujuuksille (ISO 7176-8)
- Standardin ISO 7176-16 mukaiset syttymiskestävyysvaatimukset ISO 7176-16 (EN 1021-1)

Istuimen korkeuden säätö

425 mm	8"	1A	
450 mm	8"	2A	1B
480 mm	8"	3A	2B
505 mm	8"		3B
425 mm	6"	2A	1B
450 mm	6"	3A	2B
480 mm	6"		3B

400 mm	24"		1
425 mm	24"		2
450 mm	24"	12"	3
475 mm	24"		4
500 mm	24"		5

Vääntövoima



JOS MUUTA EI OLE ILMOITETTU, M6-RUUVIEN
KIRISTYSMOMENTTI ON 7 NM.

SUOMI

Wstęp

Szanowni Użytkownicy,

Cieszymy się bardzo, że Wybraliście Państwo produkt wysokiej jakości SUNRISE MEDICAL.

Niniejsza instrukcja użytkowania zawiera wskazówki i sugestie, które sprawią, że Wasz nowy wózek inwalidzki stanie się godnym zaufania i niezawodnym partnerem w życiu codziennym.

Pragniemy, aby użytkownicy byli zadowoleni z naszych produktów i obsługi. Sunrise Medical nieprzerwanie pracuje nad ciągłym udoskonalaniem swoich produktów. Dlatego też, w naszej ofercie mogą następować zmiany dotyczące wzornictwa, rozwiązań technicznych i wyposażenia. W konsekwencji, zawarte w niniejszej instrukcji dane i ilustracje nie mogą stanowić podstawy do reklamacji.

SUNRISE MEDICAL posiada certyfikaty ISO 9001, ISO 13485 i ISO 14001 na stosowany system zarządzania.

Jako producent wózków inwalidzkich, SUNRISE MEDICAL deklaruje, że spełniają one wymagania dyrektywy 93/42/EWG, zmodyfikowanej przez wytyczną 2007/47/EWG.



Ponadto, wózki te spełniają wymagania normy ISO 7176-19 w zakresie badań zderzeniowych

W sprawie pytań dotyczących używania, konserwacji lub bezpieczeństwa wózków prosimy o kontakt z lokalnym autoryzowanym sprzedawcą SUNRISE MEDICAL.

Jeżeli w Waszym rejonie nie ma autoryzowanego sprzedawcy, prosimy kierować pytania pisemnie lub telefonicznie bezpośrednio do SUNRISE MEDICAL (adresy kontaktowe znajdują się na odwrotnej stronie).

Sunrise Medical GmbH
Kahlbachring 2-4
69254 Malsch/Heidelberg
Deutschland
Tel.: +49 (0) 7253/980-0
www.sunrisemedical.com

Poniżej należy zanotować adres i numer telefonu lokalnego punktu serwisowego.
W przypadku uszkodzenia należy skontaktować się z tym punktem i postarać się przedstawić wszystkie ważne szczegóły, co przyspieszy udzielenie pomocy.



WAŻNE:
ZABRANIA SIĘ UŻYTKOWANIA WÓZKA BEZ PRZECZYTANIA I ZROZUMIENIA NINIEJSZEJ INSTRUKCJI.

Legenda symboli



NIEBEZPIECZEŃSTWO!

Informacje ostrzegające o potencjalnym ryzyku poważnego wypadku lub śmierci.



OSTRZEŻENIE!

Informacje ostrzegające o potencjalnym ryzyku obrażeń.



UWAGA!

Informacje ostrzegawcze o potencjalnych problemach technicznych.

UWAGA:

Informacje dotyczące obsługi wózka.

Spis treści

Wstęp	118
Legenda symboli	118
Spis treści	118
Przeznaczenie	118
Zakres stosowania	118
Ogólne zalecenia bezpieczeństwa i ograniczenia jazdy	119
Gwarancja	120
Transport	121
Posługiwanie się wózkiem	123
zderzaki do pokonywania przeszkód	123
Hamulce	123
podnóżki	124
kółka przednie	124
łącznik kółka	124
oparcie	125
osłona boczna	125
kółka zabezpieczające	126
pas biodrowy	126
siedzisko	127
regulacja głębokości siedziska	127
uchwyty do popychania	127
uchwyt na kule	128
stolik terapeutyczny	128
drażek stabilizujący	128
kółka do transportu w wąskich przejściach	128
Tabliczki znamionowe	128
Opony i ich montaż	129
Konserwacja i utrzymanie	129
Usuwanie usterek	129
Usuwanie i recykling materiałów	129
Dane techniczne	130
Regulacja wysokości siedziska	130
Momenty dokręcające	131

Przeznaczenie

Lekkie wózki inwalidzkie są przeznaczone wyłącznie dla użytkowników niemogących chodzić lub dla osób o ograniczonej zdolności ruchu, do użytku osobistego w pomieszczeniach i na zewnątrz, na suchej, stabilnej i poziomej powierzchni (mogą być napędzane przez użytkownika lub osobę towarzyszącą). Oznaczenie ograniczenia wagi (dotyczy użytkownika oraz akcesoriów przymocowanych do wózka łącznie) znajduje się na tabliczce z numerem seryjnym, przymocowanej do belki poprzecznej lub belki stabilizatora pod siedzeniem.

Gwarancja jest ważna wyłącznie wtedy, gdy produkt jest używany zgodnie z przeznaczeniem, we właściwych warunkach.

Zakładany okres użytkowania wózka wynosi 5 lat. Proszę NIE używać ani nie montować do wózka części innych producentów, o ile nie zostały oficjalnie zaakceptowane przez Sunrise Medical.

Zakres stosowania

Wiele wariantów montażu i modułowa konstrukcja wózka, powoduje, że może być używany przez osoby niemogące chodzić lub o ograniczonej zdolności ruchu z powodu:

- Paraliżu
- Utraty lub amputacji kończyny (nogi)
- wady lub deformacji kończyny,
- Przykurczu lub uszkodzenia stawów
- Chorób serca i układu krążenia, zaburzeń równowagi, kacheksji oraz z przyczyn geriatrycznych (u osób wciąż władających górną częścią ciała).

Przy rozważaniu zakupu wózka należy brać pod uwagę wymiary ciała, masę, konstrukcję fizyczną i psychiczną, wiek osoby oraz warunki życia i otoczenia.

Ogólne zalecenia bezpieczeństwa i ograniczenia jazdy

Konstrukcja i zastosowane rozwiązania techniczne wózka zapewniają maksymalne bezpieczeństwo jego użytkowania. Produkt spełnia obowiązujące międzynarodowe normy bezpieczeństwa. Użytkownik może narazić się na ryzyko poprzez nieprawidłowe użytkowanie wózka. Dla własnego bezpieczeństwa użytkownik musi bezwzględnie przestrzegać następujących zasad.

Nieprofesjonalne lub błędne zmiany i regulacje zwiększają ryzyko wypadku. Użytkownik wózka jest również uczestnikiem ruchu publicznego na ulicach i chodnikach. Obowiązują go wszystkie przepisy ruchu drogowego.

Podczas pierwszej jazdy wózkiem należy zachować szczególną ostrożność. Należy zapoznać się z użytkowanym sprzętem.

Przed każdym użyciem należy skontrolować:

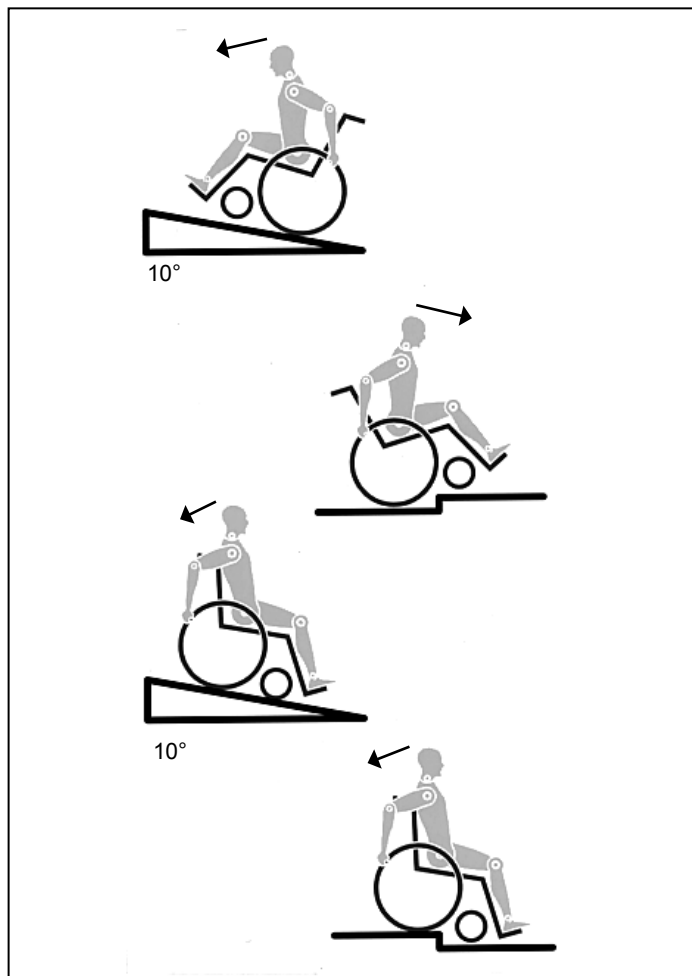
- Półoście stałe lub szybkiego montażu na tylnych kołach.
- Rzępy na siedzisku i oparciu
- Opony i ciśnienie w nich oraz blokady kół.

Przed dokonaniem jakichkolwiek regulacji wózka należy przeczytać odpowiedni rozdział instrukcji.

Wyboje i nierówne podłoże może spowodować przewrócenie wózka, szczególnie podczas jazdy pod górę lub z góry. Przy jeździe do przodu, podczas pokonywania stopni i pochyłości należy wychylić się ku przodowi.

⚠ NIEBEZPIECZEŃSTWO!

- NIGDY nie przekraczać dopuszczalnego łącznego obciążenia 125 kg dla użytkownika i wszystkich przewożonych elementów. Przekroczenie dopuszczalnego obciążenia może prowadzić do uszkodzenia siedziska, upadku lub przewrócenia, utraty kontroli i w konsekwencji, do poważnych obrażeń użytkownika i innych osób.
- Podczas jazdy o zmroku należy nosić jasną odzież lub odzież z odblaskami, aby użytkownik był łatwy do zauważenia przez innych. Upewnić się, że odblaski na bokach i z tyłu wózka są dobrze widoczne.
- Zaleca się również wyposażenie wózka w aktywne oświetlenie.



⚠ NIEBEZPIECZEŃSTWO!

- Aby uniknąć upadków i niebezpiecznych sytuacji, należy przeciwyczyć posługiwanie się wózkiem na poziomym podłożu i przy dobrej widoczności.
- Przy siadaniu i wstawianiu z wózka nie korzystać z podnóżków.
- Należy odchylić i odsunąć na bok tak daleko, jak to możliwe. Zawsze należy starać się zająć pozycję najbliższą miejsca, w którym zamierza się usiąść.
- Używać wózka tylko z zachowaniem odpowiedniej ostrożności. Na przykład: unikać pokonywania przeszkód bez hamowania (schody, krawężniki), omijać szczeliny.
- Blokady kół nie są przeznaczone do zatrzymywania jadącego wózka. Służą one wyłącznie do zabezpieczenia przed przypadkowym jego toczeniem się. Przy zatrzymywaniu na nierównym podłożu należy zawsze używać tych blokad, aby zapobiec stoczeniu się wózka. Zawsze zaciągać obie blokady kół; w przeciwnym wypadku wózek może się przewrócić.
- Zbadać wpływ zmiany środka ciężkości na zachowanie wózka, na przykład na pochyłościach, zboczach o różnym nachyleniu i podczas pokonywania przeszkód. Czynności te wykonywać w obecności osoby ubezpieczającej.
- Przy krańcowych ustawieniach (np. tylnych kołach przesuniętych maksymalnie do przodu) i niedbałej pozycji użytkownika może nastąpić przewrócenie wózka, nawet na równym podłożu.
- Przy wjeżdżaniu na zbocza i schody należy pochylić górną część ciała do przodu.
- Przy zjeżdżaniu ze zboczy i schodów należy pochylić górną część ciała do tyłu. Nigdy nie należy próbować wjeżdżać na pochyłość lub zjeżdżać z niej na skos.
- Należy unikać korzystania z ruchomych schodów, ponieważ może to prowadzić do poważnych obrażeń w przypadku awarii.
- Nie używać wózka na zboczach o nachyleniu większym niż 10°. Wartość bezpiecznego kąta nachylenia użytkownika wózka uzależniona jest od konfiguracji, umiejętności użytkownika oraz stylu jazdy. Maksymalna wartość kąta nachylenia nie może być określona, ponieważ umiejętności użytkownika oraz styl jazdy są niemożliwe do przewidzenia. Dlatego wartość musi zostać określona przez użytkownika przy obecności osoby towarzyszącej w celu uniknięcia przewrócenia wózka. Usilnie zaleca się, aby niedoświadczeni użytkownicy wyposażyli swój wózek w kółka zabezpieczające.
- Wyboje i nierówne podłoże może spowodować przewrócenie wózka, szczególnie podczas jazdy pod górę lub z góry.
- Nie używać wózka na błocie lub lodzie.
- Nie używać wózka tam, gdzie nie jest dozwolony ruch pieszych.
- Aby uniknąć obrażeń dłoni, podczas ruchu wózka, nie należy wkładać ich pomiędzy szprychy lub pomiędzy tylne koło i jego blokadę.
- W szczególności, przy lekkich metalowych obręczach napędowych, obręcze szybko stają się gorące podczas hamowania.
- Schody pokonywać wyłącznie z pomocą osoby towarzyszącej. Należy korzystać z takich udogodnień, jak specjalne podjazdy i windy. Jeśli takie udogodnienia nie są dostępne, wózek należy przechylić i popychać, nigdy nie przenosić (2 pomocników). Nie zaleca się przewożenia w ten sposób użytkowników o wadze przekraczającej 100 kg. Kółka zabezpieczające muszą być tak ustawione, aby nie mogły dotykać stopni. W przeciwnym wypadku może dojść do poważnego w skutkach przewrócenia wózka. Po przeniesieniu należy ponownie ustawić kółka zabezpieczające we właściwej pozycji.
- Upewnić się, że osoba towarzysząca podnosi wózek, trzymając za pewnie umocowane części. Nie wolno podnosić wózka za części odłączane (np. podnóżki lub osłony boczne).

NIEBEZPIECZEŃSTWO!

- Podczas korzystania z windy platformowej upewnić się, że kółka zabezpieczające są umieszczone poza strefą niebezpieczną.
- Podczas jazdy na nierównościach lub przenoszenia wózka (np. do samochodu) należy zaciągać hamulec.
- Jeżeli jest to możliwe, podczas jazdy autem przystosowanym dla osób niepełnosprawnych, użytkownicy powinni korzystać z siedzeń w samochodzie i odpowiednich pasów bezpieczeństwa. Jest to jedyny sposób prawidłowej ochrony użytkowników pojazdu podczas wypadku.
- W zależności od średnicy i ustawienia kółek przednich, jak również położenia środka ciężkości wózka, kółka te mogą wpaść w szybkie drgania. Może to doprowadzić do blokady kółek i przewrócenia się wózka. Dlatego też należy upewnić się, że kółka przednie są prawidłowo wyregulowane (rozdział „Kółka przednie”).
- W szczególności, nie należy jechać bez hamowania po pochyłości; taki odcinek należy przebywać ze zmniejszoną prędkością. Niedoświadczonym użytkownikom zaleca się stosowanie kółek zabezpieczających.
- Kółka zabezpieczające powinny chronić wózek przed przypadkowym przewróceniem się do tyłu. Pod żadnym pozorem nie mogą one pełnić roli kółek do transportu w wąskich przejściach ani być używane do przewożenia osób wózkami przy zdemontowanych tylnych kołach.
- Przy poszukiwaniu przedmiotów (z przodu, boku lub tyłu wózka) użytkownik powinien upewnić się, że nie wychyla się na tyle, aby zmienić położenie środka ciężkości, co grozi przewróceniem wózka lub wypadnięciem z niego. Zawieszanie dodatkowego obciążenia (plecaków i podobnych) na tylnym oparciu wózka może prowadzić do zaburzenia stabilności, zwłaszcza w przypadku korzystania z odchylonego oparcia. Może to spowodować przewrócenie się wózka do tyłu i skutkować obrażeniami.
- W przypadku osób po amputacji na poziomie uda, należy stosować w wózku kółka zabezpieczające.
- Przed rozpoczęciem użytkowania sprawdzić ciśnienie w oponach. W tylnych kołach powinno ono wynosić przynajmniej 3,5 bara (350 kPa). Maksymalna wartość ciśnienia określona jest na oponie. Hamulce dźwigniowe działają prawidłowo tylko przy odpowiednim ciśnieniu w oponach i właściwym ustawieniu (szczegóły w rozdziale „Hamulce”).
- Uszkodzone siedzisko i oparcie, muszą być natychmiast wymienione.
- Podczas obchodzenia się z ogniem należy zachować ostrożność, a w szczególności podczas palenia papierosów. Tapicerka siedziska i oparcia, mogą się zapalić.
- Jeżeli wózek jest przez dłuższy czas narażony na bezpośrednie działanie światła słonecznego / zimna, jego części (np. rama, podnóżki, hamulce i osłony boczne) mogą stać się bardzo gorące (>41°C) / bardzo zimne (<0°C).
- Należy zawsze upewnić się, że półosie szybkiego montażu tylnych kół są prawidłowo ustawione i zablokowane (blokujące łożyska kulkowe powinny być całkowicie widoczne przez tuleję półosi). Tylny koło może być zdjęte dopiero po wciśnięciu przycisku półosi.

UWAGA!

- Skuteczność hamulca dźwigniowego i ogólne charakterystyki jazdy zależą od ciśnienia w oponach. Jest znacznie łatwiej manewrować wózkiem, gdy opony tylnych kół są odpowiednio napompowane, a wartość ciśnienia jest jednakowa w obu oponach.
- Upewnić się, że opony wózka mają odpowiedni bieżnik!
- Należy pamiętać, że podczas jazdy po drogach publicznych wózek podlega wszystkim prawom ruchu drogowego.
- Podczas przenoszenia i regulacji wózka należy zawsze zachować ostrożność!
- Wszelkie czynności regulacyjne, do wykonania których niezbędne są narzędzia, powinny być zawsze wykonywane przez autoryzowanych sprzedawców.
- Aby uniknąć korozji i rdzewienia, wózek należy regularnie czyścić.
- Sprawdzić wkręty, nakrętki i śruby, aby upewnić się, że są one dokładnie zamocowane i żadna część wózka nie odpadnie.

UWAGA!

- Zawsze w przypadku występowania części ruchomych istnieje niebezpieczeństwo zakleszczenia palców. Dlatego też należy zachować odpowiednią ostrożność.
- Produkty przedstawione i opisane w instrukcji mogą nie odpowiadać we wszystkich szczegółach modelowi wózka użytkownika. Jednakże wszystkie instrukcje obowiązują w całości, bez względu na różnice w szczegółach.
- Producent zastrzega sobie prawo do zmian masy, wymiarów i innych parametrów technicznych zawartych w instrukcji, bez uprzedniego powiadomienia. Wszystkie wartości, wyniki pomiarów i wydajności zawarte w instrukcji są przybliżone i nie są częścią charakterystyki technicznej wózka.

Okres trwałości

Zakładany okres trwałości wózka wynosi 5 lat, o ile: Jest on eksploatowany w ścisłej zgodności z przeznaczeniem. Spełnione są wszystkie wymagania serwisowe i eksploatacyjne.

Gwarancja

GWARANCJA

GWARANCJA NIE OGRANICZA W ŻADNYM STOPNIU INNYCH PRAW KLIENTA.

Warunki gwarancji

1) Naprawy i wymiany mogą być wykonywane wyłącznie przez autoryzowanych sprzedawców i serwisantów Sunrise Medical.

2) Jeżeli produkt wymaga diagnostyki w ramach obsługi gwarancyjnej, należy bezzwłocznie powiadomić o tym wyznaczony punkt serwisowy Sunrise Medical i przekazać mu wszystkie informacje dotyczące natury zaistniałego problemu. Jeżeli produkt jest używany poza obszarem działania wyznaczonego serwisanta Sunrise Medical, prace w ramach obsługi gwarancyjnej wykona inny punkt serwisowy wyznaczony przez producenta.

3) Jeżeli jakakolwiek część wózka wymaga naprawy lub wymiany, w wyniku określonych wad fabrycznych lub materiałowych, w przeciągu 24 miesięcy (5 lat w przypadku ramy i wzmocnienia krzyżowego) od daty nabycia wózka przez pierwszego użytkownika i pod warunkiem, że wózek jest nadal w jego posiadaniu, część lub części zostaną naprawione lub wymienione całkowicie nieodpłatnie, pod warunkiem oddania wózka do autoryzowanego punktu serwisowego. Uwaga: Prawa wynikające z gwarancji nie ulegają przeniesieniu.

4) Wszystkie wymienione lub naprawione części podlegają niniejszym postanowieniom przez okres gwarancji dla wózka.

5) Części wymienione po upływie gwarancji na wózek są objęte oddzielną gwarancją przez okres 12 miesięcy.

6) Elementy zużywalne nie są objęte gwarancją, poza przypadkami, gdy ich nadmierne zużycie jest bezpośrednim wynikiem wady fabrycznej. Do tych elementów zalicza się m.in. tapicerkę, opony, dętki oraz podobne części.

7) Powyższe warunki gwarancji dotyczą wszystkich części produktów dla modeli zakupionych za pełną cenę detaliczną.

8) W normalnych okolicznościach producent nie przyjmuje odpowiedzialności w przypadkach, gdy produkt wymaga naprawy lub wymiany, jeżeli:

- a) Produkt lub część nie były konserwowane lub obsługiwane zgodnie z zaleceniami producenta, jak określono w Podręczniku użytkownika i/lub Instrukcji obsługi. Nie stosowano wyłącznie wymaganych oryginalnych elementów wyposażenia.
- b) Produkt lub część uległy uszkodzeniu wskutek zaniedbania, wypadku lub niewłaściwego użycia.
- c) Produkt lub część miały własności niezgodne z charakterystykami producenta lub dokonano naprawy przed powiadomieniem punktu serwisowego.
- d) Produkt jest pokryty korozją spowodowaną nieodpowiednią konserwacją.

Transport

⚠ NIEBEZPIECZEŃSTWO!

Jeśli te warunki zostaną zignorowane, wystąpi ryzyko śmierci lub poważnych obrażeń!

Przewożenie wózka samochodem:

Wózek zamontowany w pojeździe nie zapewnia poziomu bezpieczeństwa takiego jak system zabezpieczenia siedzeń w samochodzie. Zaleca się, aby użytkownik wózka zawsze przeniósł się na siedzenie w samochodzie. Wiadomo, że nie zawsze możliwe jest przeniesienie się użytkownika wózka. W okolicznościach, kiedy użytkownik musi być przewieziony siedząc w wózku, poniższe warunki muszą zostać spełnione:

1. Samochód musi być odpowiednio przystosowany do przewozu pasażerów w wózkach inwalidzkich i możliwość wygodnego wjechania/wyjechania wózkiem z samochodu musi być zapewniona. Podłoga samochodu musi być wystarczająco mocna, aby przyjąć łączną wagę użytkownika, wózka i akcesoriów.

2. Wokół wózka należy zapewnić przestrzeń wystarczającą dla swobodnego ustawienia, umocowania i odpięcia elementów mocujących wózek i użytkownika oraz pasów bezpieczeństwa.

3. Wózek zajmowany przez użytkownika musi być zamocowany przodem do kierunku jazdy i zabezpieczony pasem własnym oraz samochodowym (mocowania systemu WTORS spełniające wymagania ISO 10542 lub SAE J2249) zgodnie z instrukcją producenta systemu WTORS.

4. Umieszczanie wózka w innych pozycjach nie było testowane; przewożenie w pozycji bocznej jest zabronione w każdych okolicznościach (Rys. A).

5. Wózek powinien być zabezpieczony systemem elementów mocujących zgodnym z ISO 10542 lub SAE J2249 składającym się z pasów przednich bez regulacji i pasów tylnych z regulacją wyposażonych w spinające haki karabinkowe/ haki typu S oraz zaczepy z językami. Cały system składa się zazwyczaj z 4 oddzielnych taśm przymocowanych do każdego rogu wózka.

6. Elementy mocujące powinny być mocowane do głównej ramy wózka tak, jak pokazano na rysunkach na następnej stronie, a nie opasane wokół elementów dodatkowych lub akcesoriów, np. szprych, hamulców lub podnóżków.

7. Elementy mocujące powinny być opasane tak ciasno, jak to możliwe, pod kątem ok. 45 stopni i zablokowane zgodnie z instrukcją producenta.

8. Nie wolno dokonywać żadnych zmian ani zastąpień w układzie punktów mocowania, konstrukcji, ramie i elementach bez konsultacji z producentem. Niespełnienie tego warunku może uniemożliwić transport wózka w pojeździe.

9. Do zabezpieczenia użytkownika wózka przed uderzeniem w głowę lub klatkę piersiową przez części samochodu, oba pasy bezpieczeństwa, biodrowy i piersiowy, muszą być użyte. Pozwala to także na uniknięcie ryzyka poważnych obrażeń użytkownika wózka i innych pasażerów samochodu. (Rys. B) Piersiowy pas bezpieczeństwa powinien być mocowany do słupka „B” samochodu - nie zastosowanie się do tego podnosi ryzyko odniesienia przez użytkownika poważnych obrażeń brzucha.

10. Podczas przewożenia zagłówek musi być zawsze ustawiony w pozycji odpowiedniej do transportu (etykieta na zagłówku), wygodnej dla użytkownika.

11. Środki korekcji postawy (pasy i taśmy biodrowe) lub oparte na nich mocowania nie powinny być używane jako zabezpieczenia użytkownika w jadącym pojeździe, o ile nie są wyraźnie oznaczone jako spełniające wymagania ISO 7176-19:2001 lub SAE J2249.

12. Bezpieczeństwo użytkownika wózka podczas transportu zależy od staranności osoby mocującej zabezpieczenia.

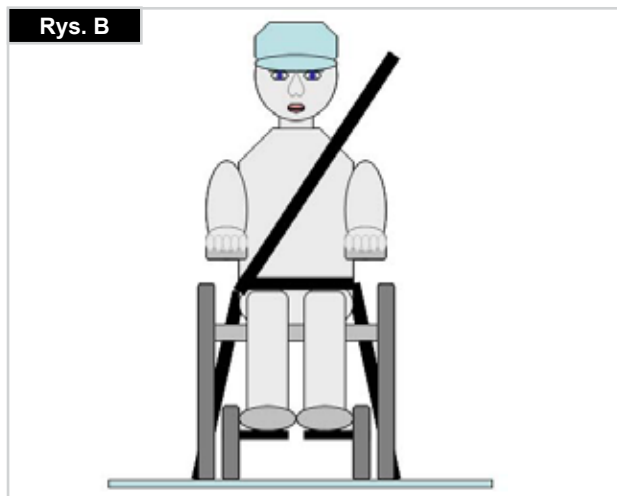
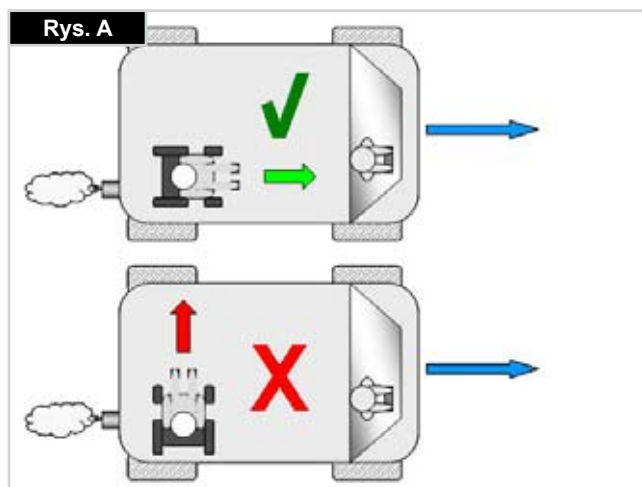
13. Jeżeli jest to możliwe, należy odłączyć od wózka i bezpiecznie rozmieścić cały sprzęt pomocniczy, na przykład: Kule, nieprzymocowane poduszki, stoliki.

14. Podczas przewożenia samochodem użytkownika na wózku zabezpieczonym systemem własnych pasów bezpieczeństwa podnóżek przegubowy/podnoszony nie może być podniesiony.

15. Rozłożone oparcia należy z powrotem złożyć do pozycji pionowej.

16. Hamulce ręczne wózka muszą być mocno zaciągnięte.

17. Pasy do transportu wózka należy zamocować do słupka „B” samochodu, nie należy mocować ich wokół części wózka, jak podłokietnik lub koła.



Transport >>>

INSTRUKCJA PRZYGOTOWANIA UŻYTKOWNIKA DO JAZDY:

1. Pas biodrowy musi być założony nisko z przodu bioder tak, aby był prowadzony w preferowanym obszarze od 30 do 75 stopni względem poziomu.

Pożądane jest zachowanie większego kąta w ramach preferowanej strefy, tj. możliwie bliskiego, ale nie przekraczającego 75°. (Rys. C)

2. Piersiowy pas bezpieczeństwa należy założyć nad barkiem w poprzek klatki piersiowej jak pokazano na Rys. d i e

Pasy zabezpieczające muszą być założone tak ciasno, jak to możliwe, z uwzględnieniem komfortu użytkownika.

Pas zabezpieczający nie może być skręcony podczas użycia.

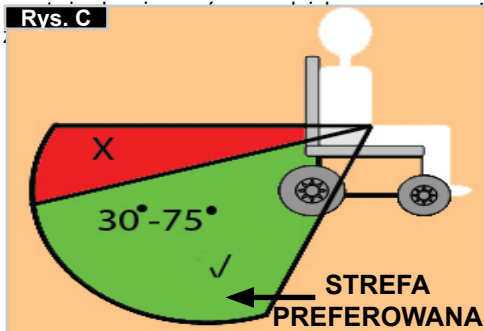
Piersiowy pas bezpieczeństwa należy założyć nad barkiem w poprzek klatki piersiowej jak pokazano na Rys. d i e

3. Punktami mocowania zabezpieczeń do fotela są: wewnętrzna przednia rura boczna ramy, tuż nad kółkami przednimi, i tylna rura boczna ramy. Punktami mocowania zabezpieczeń do fotela są: wewnętrzna przednia rura boczna ramy, tuż nad kółkami przednimi, i tylna rura boczna ramy. (Zobacz Rys. G - K)

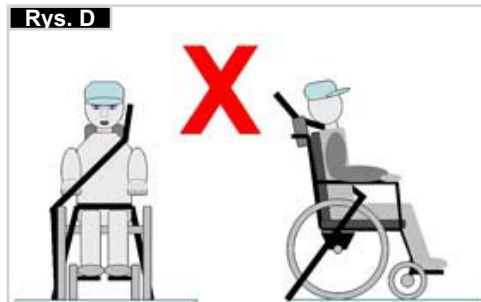
4. Taśmy są owinięte wokół (rys. F) rur bocznych ramy, w miejscach łączenia rur poziomych i pionowych. Symbol mocowania na ramie wózka wskazuje pozycję pasów zabezpieczających. Po

ane w celu

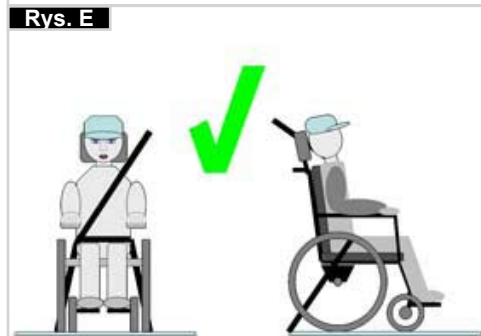
Rys. C



Rys. D



Rys. E



Rys. F



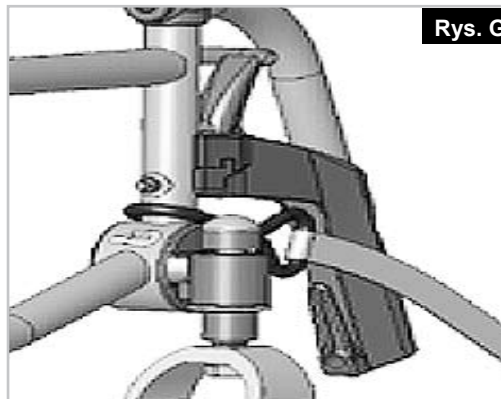
POZYCJONOWANIE PASÓW ZABEZPIEZAJĄCYCH NA WÓZKU

1. Położenie etykiet wskazujących punkty mocowania do transportu w przedniej i tylnej części wózka (Rys. G-H-I).

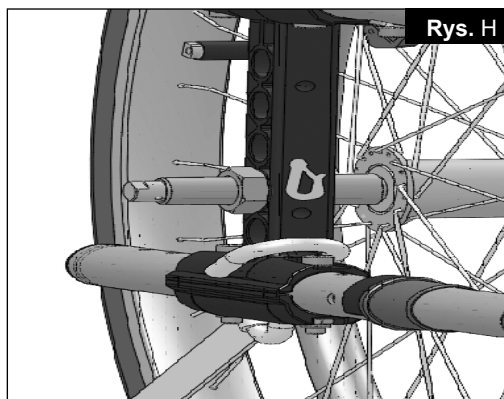
2. Położenie przedniego (Rys. G) i tylnego (Rys. H-I) punktu mocowania do transportu oraz etykiet ich etykiet.

3. Boczny widok pasów mocujących, (Rys. J).

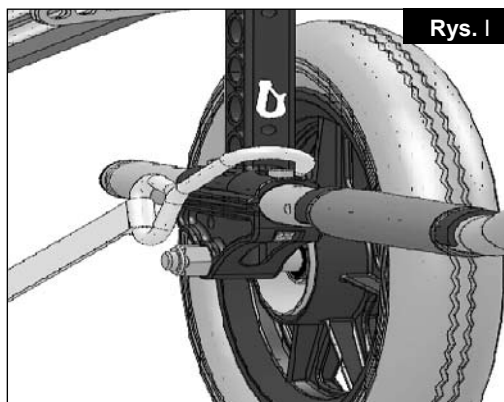
Rys. G



Rys. H



Rys. I



Rys. J



Postępowanie się wózkem

SKŁADANIE WÓZKA

Najpierw zdjęć z wózka poduszkę siedziska i jego tylną osłonę i podnieść podnóżek (platformowy) lub pojedyncze podnóżki. Uchwycić tapicerkę lub rurki siedziska pośrodku i od tyłu, a następnie podciągnąć do góry. Następnie złożyć wózek. Aby złożyć wózek do minimalnych rozmiarów, np. w celu umieszczenia go w samochodzie, można odłączyć podnóżki (w zależności od modelu). W tym celu zwolnić zatrzask od zewnątrz i odchylić podnóżek na bok. Następnie wysunąć podnóżek z tulei gniazdowej (Rys. 1).



ROZKŁADANIE WÓZKA

Nacisnąć krzyżak siedziska (rysunek obok). Wózek zostanie rozłożony. Zatrzasknąć rury siedziska we właściwej pozycji w łożu siedziska. Można to wykonać poprzez lekkie przechylenie wózka tak, aby odciążyć jedno z kół tylnych. **Zachować ostrożność, aby nie włożyć palców w zespół krzyżaka.** Ponownie umocować siedzisko i tylną osłonę siedziska (Rys. 2).

Półosie szybkiego montażu tylnych kół Tyłne koła wyposażono w półosie szybkiego montażu. Dzięki temu koła mogą być zamontowane i zdemontowane bez użycia narzędzi. Aby zdemontować koło, nacisnąć przycisk półosi (1) i zdjąć koło z półosi (rys. 3).



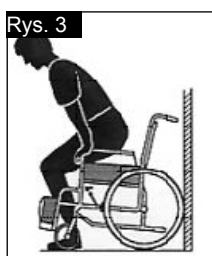
PRZESTROGA:

Podczas wsuwania półosi do gniazda ramy w celu

zamontowania tylnych kół utrzymywać przycisk półosi wciśnięty. Aby zablokować koło we właściwej pozycji, zwolnić przycisk półosi. Przycisk powinien powrócić do swojego pierwotnego położenia.

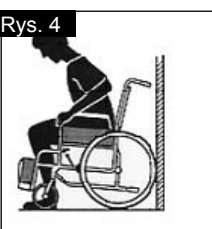
SAMODZIELNE SIADANIE NA WÓZKU (RYS. 3)

- Wózek powinien być oparty o ścianę lub solidny mebel;
- Hamulce powinny być zaciągnięte;
- Podnóżki powinny być uniesione na zawiasach;
- Użytkownik może teraz usiąść na wózku;
- Podnóżki powinny zostać opuszczone, a nogi oparte na nich.



SAMODZIELNE WSTAWANIE Z WÓZKA (RYS. 4)

- Hamulce powinny być zaciągnięte;
- Podnóżki powinny być uniesione;
- Z rękami opartymi na podłokietnikach należy lekko pochylić się do przodu tak, aby przenieść ciężar ciała na przód siedziska i z dwoma stopami opartymi mocno o podłoże, w tym jedną cofniętą, unieść się do pozycji pionowej.



OSTRZEŻENIE!

Podczas wstawania nie stawać na podnóżkach, gdyż wózek się przewróci. Jest łatwiej i bezpieczniej siadać na wózku, gdy podnóżki są uniesione lub w ogóle odłączone od wózka.

- Przed przystąpieniem do wsiadania bądź zsiadania z wózka należy zawsze włączyć blokadę kół.

Możliwości dodatkowe - zderzaki do pokonywania przeszkód

DZWIGNIA PRZECHŁU DO POKONYWANIA PRZESZKÓD

Zderzaki są używane przez osoby towarzyszące do przemieszczania wózka nad przeszkodami. Nacisnąć zderzak, aby przesunąć wózek, na przykład nad stopniem lub krawężnikiem (Rys. 5).



UWAGA!

W przypadku wszystkich wózków z kołami transportowymi oraz wszystkich wózków, których głównym przeznaczeniem jest użytkowanie z pomocą osoby towarzyszącej, Sunrise Medical zaleca korzystanie z dźwigni przechyłu, ponieważ przechylenie wózka przy użyciu tylnych słupków w celu pokonania przeszkody może doprowadzić do ich uszkodzenia.

Możliwości dodatkowe - Hamulce

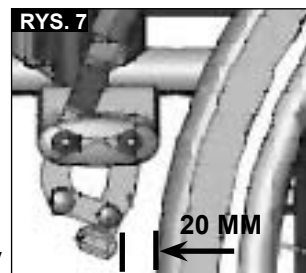
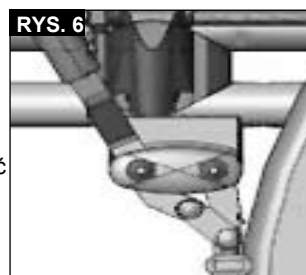
BLOKADY KÓŁ

Wózek jest wyposażony w dwie blokady kół. Blokady działają bezpośrednio na opony. Aby włączyć blokadę, pchnąć do przodu obie dźwignie hamulców aż do oporu. Aby zwolnić blokady, wycofać dźwignie do pierwotnych pozycji.

Na zmniejszenie siły hamowania wpływają:

- Zużycie bieżników opon
- Zbyt niskie ciśnienie w oponach
- Mokre opony
- Źle wyregulowane blokady kół

Blokady kół nie zostały zaprojektowane jako hamulce jadącego wózka. Dlatego też nigdy nie powinny być używane do hamowania wózka w ruchu. Do hamowania zawsze używać obrotów napędowych. Upewnić się, że odstęp pomiędzy oponami a blokadami kół odpowiada podanym charakterystykom. Aby wyregulować odstęp, poluzować wkręt i ustawić odpowiednią odległość. Następnie ponownie dokręcić wkręt (Rys. 6-7).



UWAGA!

Po każdej regulacji kół tylnych sprawdzić odstęp blokad kół i wyregulować go w razie potrzeby. Zamontowanie blokady zbyt blisko koła skutkuje zwiększonym wysiłkiem przy jej obsłudze. Może to spowodować uszkodzenie przedłużki dźwigni hamulca! Opieranie się o przedłużkę dźwigni hamulca podczas transportu może spowodować jej uszkodzenie! Woda spod kół, może spowodować niesprawność hamulców.

HAMULCE BĘBNOWE

Hamulce bębnowe umożliwiają osobie towarzyszącej bezpieczne i wygodne hamowanie. Hamulce mogą być używane wraz z dźwignią blokady (1) w celu zapobiegnięcia toczeniu się wózka. Dźwignia musi zaskoczyć na swoje miejsce w słyszalny sposób.

Ciśnienie w oponach nie wpływa na działanie hamulców bębnowych. Nie można przesuwac wózka przy zaciągniętych hamulcach bębnowych (Rys. 8).



UWAGA!

Hamulce bębnowe mogą być regulowane wyłącznie przez autoryzowanych sprzedawców.

Możliwości dodatkowe — podnóżki

PODNOŻKI:

Podnóżki mogą być podniesione dla ułatwienia siadania i wstawania z wózka.

Długość podudzia:

Wspornik podnóżka może być obniżony za pomocą wkrętów (1) w celu dostosowania do długości nóg użytkownika. Poluzować wkręty, przesunąć rurki do żądanej pozycji i ponownie dokręcić wkręty (rozdział o momentach dokręcających).

Pomiędzy podnóżkami a podłożem musi być zawsze zachowany minimalny odstęp 2,5 cm (Rys. 9).

Płyta podnóżka z regulowanym kątem nachylenia

Można regulować kąt nachylenia płyty względem podłoża. Poluzować wkręt, przesunąć go do wewnątrz, ustawić żądany kąt i przesunąć wkręt na swoje miejsce. Po regulacji dokręcić wkręt.

Upewnić się, że po regulacji wszystkie wkręty zostały prawidłowo dokręcone (rozdział o momentach dokręcających).

Upewnić się, że został zachowany minimalny odstęp podnóżka od podłoża (2,5 cm) (Rys. 10).

UWAGA!

- Nie wolno wykorzystywać podnóżków do podnoszenia lub przenoszenia wózka.
- Przy siadaniu i wstawaniu z wózka nie korzystać z podnóżków. Należy je wcześniej podnieść na lub wysunąć jak najdalej na bok.

OPCJONALNY PODNOSZONY PODNOŻEK

(Rys. 11-13)

Aby odłączyć podnóżek, pociągnąć dźwignię (1), odchylić płytę podnóżka do zewnątrz i unieść podnóżek ku górze.

REGULACJA WYSOKOŚCI:

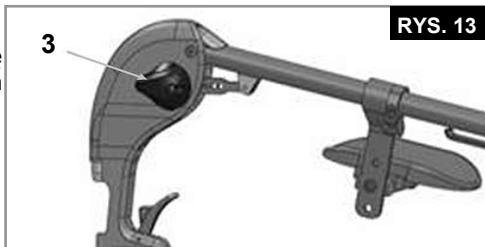
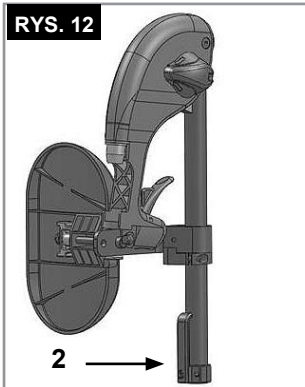
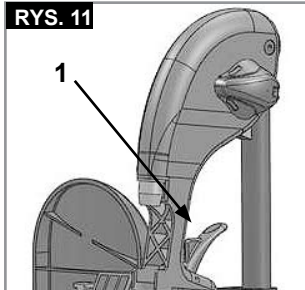
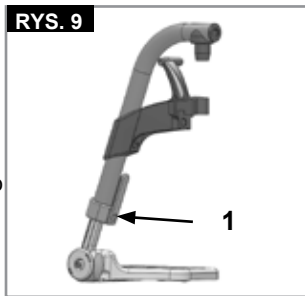
Długość podudzia można regulować w dowolnym zakresie poprzez odkręcenie śruby (2). Ustawić odpowiednią wysokość i ponownie zakręcić śrubę.

UWAGA!

Odległość pomiędzy płytą podnóżka a ziemią musi wynosić przynajmniej 40 mm.

REGULACJA KĄTA:

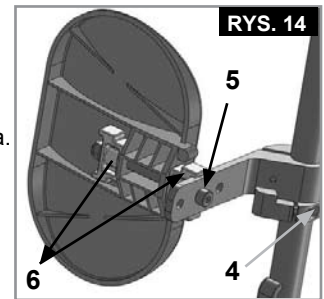
Nacisnąć dźwignię (3) do dołu i jednocześnie przytrzymać podnóżek drugą ręką, aby zminimalizować obciążenie. Po ustawieniu odpowiedniego kąta, puścić dźwignię, a podnóżek zablokuje się w jednym z dostępnych położen.



REGULACJA OPARCIA ŁYDEK

(Rys. 14).

Procedura regulacji oparcia łydek:
Wysokość: Odkręcić śrubę (4) i przesunąć zacisk w odpowiednie położenie. Obracając zaciskiem, można także zmienić kąt nachylenia.
Głębokość: Odkręcić śrubę (5, Rys. 13) i przesunąć oparcie łydek w odpowiednie położenie.
Szerokość: Odkręcić śrubę (5) i ustawić dystanse w odpowiednim położeniu, tak aby osiągnąć wybraną szerokość.



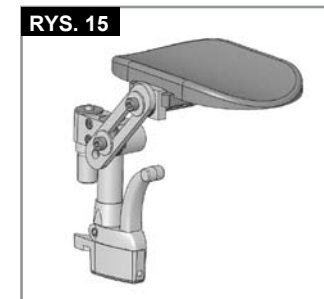
OSTRZEŻENIE!

- Podczas regulacji wysokości podnóżka trzymać ręce z dala od mechanizmu regulacji pomiędzy ramą a częściami ruchomymi.
- Należy się upewnić, że mocowania są prawidłowo zamontowane.
- Nie wolno wykorzystywać podnóżków do podnoszenia lub przenoszenia wózka.
- Ryzyko przytrzaśnięcia palców! Podczas przesuwania podnóżków w górę lub w dół nie wkładać palców w mechanizm regulacji pomiędzy ruchome części.

WSPORNIK DLA OSÓB Z AMPUTOWANĄ KOŃCZYNĄ

(Rys. 15).

Wspornik może być przesuwany w dowolnym kierunku, zgodnie z bieżącymi potrzebami.



Możliwości dodatkowe — kółka przednie

KÓŁKA SAMONASTAWNE, PODPORY KÓLEK, WIDELKI

Wózek może lekko skręcać w lewo lub w prawo, lub mogą wibrować jego kółka przednie. Przyczyny tych zjawisk mogą być następujące:

- Mechanizmy kół nie zostały ustawione prawidłowo.
- Kąt osi kółka przedniego został ustawiony nieprawidłowo.
- Zostało źle ustawione ciśnienie kół przednich lub tylnych; koła nie obracają się płynnie.

W wyniku złej regulacji kółek przednich wózek nie porusza się po linii prostej. Kółka przednie zawsze powinny być ustawiane przez autoryzowanego dostawcę. Po każdej zmianie pozycji kół tylnych należy sprawdzić blokady kół.

Możliwości dodatkowe — łącznik kółka

Wysokość siedziska jest określona przez położenie kółka samonastawnego i tylnego koła. Wysokość siedziska można regulować zmieniając położenie kół tylnych i kół przednich oraz stosując dystanse.

UWAGA!

Po wyregulowaniu wysokości siedziska należy dokręcić wszystkie śruby i ponownie wyregulować blokady kół.



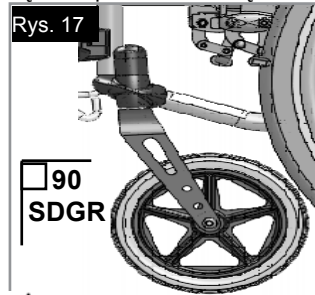
Możliwości dodatkowe — łącznik kółka >>>

UWAGA:

Regulację nachylenia osi kółek przednich można wykonać poprzez zmianę położenia ich lub kół tylnych. Nachylenie osi powinno zawsze wynosić ok. 90°.

REGULACJA NACHYLENIA OSI KÓLEK PRZEDNICH:

Poluzować wkręty (1), przesunąć łącznik kółek na zewnątrz, ustawić kąt 90° i ponownie dokręcić wkręty (Rys. 17-18).



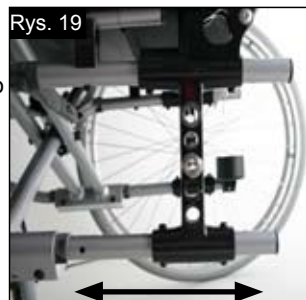
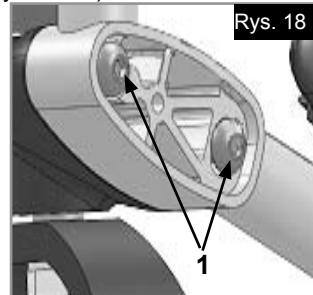
UWAGA!

Dla obu kółek przednich musi być ustawiony ten sam kąt nachylenia osi (sprawdzić poprzez znakowanie).

USTAWIENIE OSI W POZIOMIE

Podpora osi może być przesunięta do przodu, co daje większą manewrowość, lub do tyłu, co daje większą stabilność (Rys. 19).

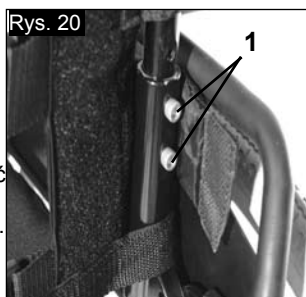
Im większy rozstaw osi wózka tym większe prawdopodobieństwo uniknięcia jego przewrócenia



Możliwości dodatkowe - oparcie

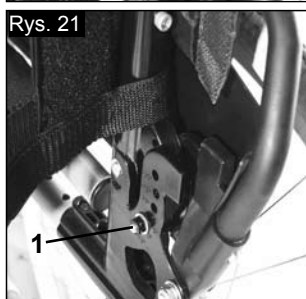
OPARCIE Z REGULACJĄ W PIONIE

Wysokość oparcia może być ustawiona w 2 lub 3 pozycjach (zależnie od modelu) (41 cm, 43,5 cm, 46 cm). Całkowicie odkręcić śruby (1) i (2), a następnie przesunąć rurę oparcia do żądanej pozycji. Przykręcić ponownie śruby (Rys. 20).



REGULACJA KĄTA NACHYLENIA OPARCIA

Nachylenie oparcia może być ustawione w 6 pozycjach (-5° w przód, 0°, 5°, 10°, 15° oraz 20° w tył). Aby ustawić nachylenie oparcia, całkowicie odkręcić wkręt (1), ustawić żądany kąt nachylenia i ponownie dokręcić wkręt (Rys. 21).



REGULACJA KĄTA NACHYLENIA OPARCIA (7° - 30°)

Poprzez równoczesne przesunięcie dźwigni (1) można poluzować mocowanie oparcia i przesunąć je do żądanej pozycji.

Po zwolnieniu obu dźwigni (1) oparcie zostanie automatycznie zatrzaśnięte w stabilnej pozycji (Rys. 22).



UWAGA!

- Zaleca się stosowanie oparcia z regulacją kąta wyłącznie w połączeniu z przedłużeniem zaczepu kół tylnych.
- Zaleca się stosowanie oparcia z regulacją nachylenia w połączeniu z kółkami zabezpieczającymi (maksymalny prześwit do podłoża 3 – 5 cm).
- Zaleca się stosowanie oparcia z regulacją nachylenia w połączeniu z prętem stabilizującym.

OPARCIE SKŁADANE DO POŁOWY

Rozkładanie oparcia: Aby rozłożyć oparcie do pozycji pionowej, przesunąć uchwyty do góry i do przodu aż do zatrzaśnięcia w stabilnej pozycji.

OSTRZEŻENIE!

Nie zbliżać palców i innych części ciała do mechanizmu rozkładania podczas rozkładania uchwytu, aby uniknąć obrażeń lub uszkodzenia sprzętu.

Składanie oparcia:

Oparcie można złożyć dla łatwiejszego składowania wózka.

UWAGA!

Nie składać wózka pod obciążeniem, gdyż można uszkodzić dźwignię.

Aby złożyć oparcie, stanąć za wózkiem, nacisnąć dwie małe dźwignie (Rys. 23 - 24) umieszczone po obu stronach oparcia (tuż nad podłokietnikami). Złożyć oparcie.



REGULOWANE ZAWIESIE OPARCIA

Regulowane zawiesie oparcia może być ustawione na odpowiednie napięcie poprzez użycie kilku pasów (Rys. 25).

UWAGA!

Nie naprężać pasa napinającego zbyt mocno, gdyż może to wpływać na mechanizm składania fotela.

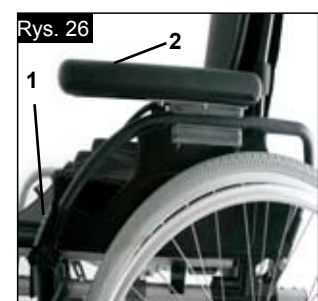


Możliwości dodatkowe – osłona boczna

STANDARDOWA OSŁONA BOCZNA, ODCHYLANA, ODŁĄCZANA Z KRÓTKIM LUB DŁUGIM PODŁOKIETNIKIEM

Boczna osłona z zaokrąglonymi krawędziami przednimi pozwala na podsuniecie bliżej stolika. Aby podnieść podłokietnik, nacisnąć dźwignię (1) tak, aby osłona boczna została zwolniona (Rys. 26 + 27).

Wysokość podłokietnika (2) może być regulowana poprzez ustawienie uchwytu dystansowego w różnych pozycjach. Aby wykonać regulację, poluzować wkręty, przesunąć uchwyt dystansowy i ponownie dokręcić wkręty. Długość podłokietnika może być dobrana poprzez poluzowanie wkrętów (3), przesunięcie go do żądanej pozycji i ponowne dokręcenie wkrętów (Rys. 27).



Możliwości dodatkowe – osłona boczna >>>

⚠ UWAGA!

Nie wykorzystywać osłon bocznych ani podłokietników do podnoszenia lub przenoszenia wózka.

⚠ UWAGA!

Uważać na palce podczas regulacji wysokości podłokietnika.

OSŁONA BOCZNA, REGULOWANA, ODŁĄCZANA Z KRÓTKIM LUB DŁUGIM PODŁOKIETNIKIEM, O REGULOWANEJ WYSOKOŚCI

Wysokość podłokietnika może być regulowana zgodnie z opisem poniżej. Przesunąć dźwignię w dół i przemieścić podłokietnik do żądanej wysokości. Zwolnić dźwignię i nacisnąć podłokietnik do chwili zatrzaśnięcia się go w stabilnej pozycji. Zawsze sprawdzać, czy osłony boczne są na właściwych miejscach. Aby podnieść podłokietnik, nacisnąć dźwignię (1) tak, aby osłona boczna została zwolniona.



Długość podłokietnika może być dobrana poprzez poluzowanie wkrętów (2), przesunięcie go do żądanej pozycji i ponowne dokręcenie wkrętów (Rys. 28).

⚠ UWAGA!

Nie wykorzystywać osłon bocznych ani podłokietników do podnoszenia lub przenoszenia wózka.

⚠ UWAGA!

Przy używaniu kół tylnych 24" należy podnieść podłokietnik do góry o jeden poziom.



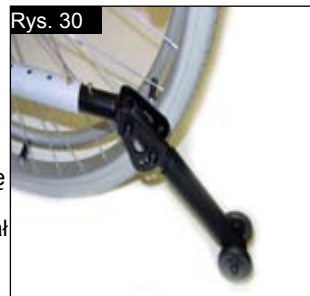
JEDNOSŁUPKOWE PODŁOKIETNIKI Z REGULACJĄ WYSOKOŚCI

Aby wyregulować wysokość, należy pociągnąć dźwignię (1) i przesunąć podłokietnik do żądanej pozycji. Po regulacji upewnić się, że dźwignia (1) zatrzasnęła się w odpowiedniej pozycji. Odłączanie podłokietnika wykonać w ten sam sposób. Aby całkowicie odłączyć osłonę boczną, nacisnąć dźwignię (2). Podczas montażu osłony bocznej dźwignia (2) musi być również przesunięta. Zawsze sprawdzać, czy osłona boczna została prawidłowo zablokowana w tulei gniazdowej. (Rys. 29).

Możliwości dodatkowe — kółka zabezpieczające

KÓŁKA ZABEZPIECZAJĄCE

Kółka zabezpieczające zapewniają niedoświadczonym użytkownikom dodatkowe bezpieczeństwo podczas nauki jazdy wózkiem. Kółka zabezpieczają przed przewróceniem się wózka do tyłu. Rurkę antywyważnika należy wsunąć w rurę ramy tak, aby pierwszy ze sprężynowych przycisków zablokował się w pierwszym otworze rury ramy (Rys. 30).



⚠ OSTRZEŻENIE!

Nieprawidłowe ustawienie kółek zabezpieczających zwiększa ryzyko przewrócenia wózka do tyłu. Aby zapobiec stykaniu się antywyważników z podłożem podczas pokonywania większych przeszkód (takich jak krawężniki), należy odchylić je do góry, a następnie ponownie opuścić do normalnego położenia po pokonaniu przeszkody.

UWAGA: Nie należy umieszczać rurki antywyważnika tak głęboko, że drugi guzik sprężynowy również znajdzie się wewnątrz rury ramy, ponieważ może to doprowadzić do uszkodzenia antywyważnika i spadku jego efektywności. Naciśnięcie drugiego przycisku zwalniającego umożliwia odchylenie kółek zabezpieczających do góry lub zdjęcie ich. Pomiedzy kółkami a podłożem musi być zawsze zachowany odstęp 3 – 5 cm. Kółka zabezpieczające muszą być przesunięte do góry podczas pokonywania większych przeszkód (takich jak krawężniki), aby zapobiec stykaniu się ich z podłożem. Po pokonaniu przeszkody przesunąć kółka do normalnej pozycji (Rys. 30).

OSTRZEŻENIE!

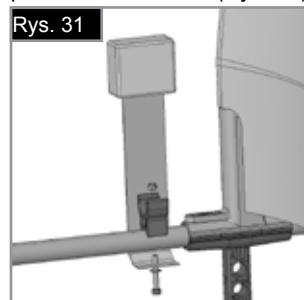
Możliwości dodatkowe – pas biodrowy

⚠ Nieprawidłowe ustawienie kółek zabezpieczających zwiększa ryzyko przewrócenia wózka do tyłu.

OSTRZEŻENIE!

Przed korzystaniem z wózka należy się upewnić, że pas został zapięty i właściwie wyregulowany.

Biodrowy pas bezpieczeństwa montuje się na wózku w sposób pokazany na ilustracjach. Pas składa się z 2 części. Są one połączone za pomocą śruby ustalającej przeprowadzonej przez oczko na pasie. Pas jest przeprowadzony pod tylną częścią bocznego panelu. (Rys. 31) Wyregulować położenie pasa tak, aby zatrzaski znajdowały się pośrodku siedziska. (Rys. 32)



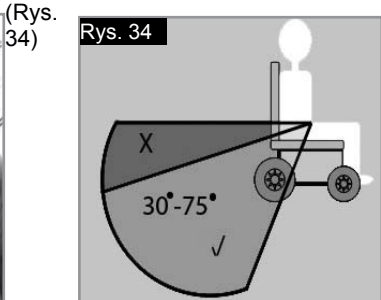
W opisany poniżej sposób wyregulować długość pasa biodrowego tak, aby odpowiadał potrzebom użytkownika:

Zwiększenie długości pasa	Zmniejszenie długości pasa	✓
Typ A	Typ A	Typ A
Typ B	Typ B	Typ B
Aby zwiększyć długość pasa, przeprowadzić jego wolną część przez suwaki regulacyjne i męską część zatrzasku.	Przeprowadzić wolną część pasa z powrotem przez męską część zatrzasku i suwaki regulacyjne.	Upewnić się, że pas nie zapętlił się w męskiej części zatrzasku.

Możliwości dodatkowe – pas biodrowy >>>

Po zapięciu pasa sprawdzić przestrzeń pomiędzy pasem biodrowym i użytkownikiem. Gdy pas jest prawidłowo wyregulowany, możliwe jest wsunięcie najwyżej wyprostowanej dłoni między pas a użytkownika. (Rys. 33)

Pas biodrowy powinien być zamocowany w taki sposób, aby jego taśmy były ułożone pod kątem 45°, a po prawidłowej regulacji powinien zapobiegać zsunięciu się użytkownika z siedziska. (Rys. 34)



Aby zamknąć zatrzask: Mocno wsunąć męską część zatrzasku w żeńską.	Aby rozpiąć pas: Wcisnąć odkryte miejsca męskiej części zatrzasku i wysunąć w kierunku środka / wcisnąć guzik na żeńskiej części zatrzasku, delikatnie rozsuwając części pasa.

PORADA DLA KLIENTA

⚠ NIEBEZPIECZEŃSTWO!

- W przypadku transportu samochodowego osoby na wózku nie należy polegać wyłącznie na zabezpieczeniu pasem biodrowym, ale również skorzystać z innych pasów biodrowych i poprzecznych, dostępnych w pojeździe.
- Przed użyciem zalecamy sprawdzenie pasa biodrowego w celu upewnienia się, że został on właściwie zamocowany, nie jest w żaden sposób zablokowany ani nie posiada oznak niepożądanego zużycia oraz że sprzączki zapinają się w sposób właściwy.
- Niewykonanie takiej kontroli przed użyciem może skutkować poważnymi obrażeniami użytkownika, np. zbyt luźny pas może pozwolić na ześlizgnięcie się użytkownika z wózka dołem i spowodować ryzyko uduszenia.

KONSERWACJA:

W regularnych odstępach czasu sprawdzać stan pasa biodrowego i innych elementów zabezpieczających pod kątem zużycia czy uszkodzenia. W razie konieczności należy je wymienić. Pas biodrowy czyścić ciepłą wodą z mydłem i pozostawić do wyschnięcia.

⚠ NIEBEZPIECZEŃSTWO!

Biodrowy pas bezpieczeństwa należy dostosować do potrzeb użytkownika końcowego w sposób szczegółowo opisany powyżej. Firma Sunrise Medical zaleca również regularne sprawdzanie długości i napięcia pasa w celu zmniejszenia ryzyka nieumyślnego wyregulowania pasa na nadmierną długość przez użytkownika. W razie wątpliwości dotyczących użytkownika i obsługi biodrowego pasa bezpieczeństwa należy zasięgnąć opinii lekarza, dystrybutora wózków inwalidzkich lub opiekuna.

Możliwości dodatkowe — siedzisko

STANDARDOWE ZAWIESIE SIEDZISKA

Zawiesie ma po jednej stronie rzepy, które umożliwiają jego bezstopniową regulację. Aby wyregulować zawiesie, złożyć fotel. Następnie przesunąć kołpaki przedniej osłony do przodu poza ramę. Wysunąć zawiesie z ramy. Odczepić rzepy i wyregulować zawiesie. W celu złożenia zawiesia wykonać powyższe czynności w odwrotnej kolejności (Rys. 39)



⚠ UWAGA!

- Przez cały czas przynajmniej 50% powierzchni rzepów powinno mieć, dla bezpieczeństwa, kontakt ze sobą.
- Nie naprężać zawiesia zbyt mocno, gdyż może to wpływać na mechanizm składania fotela. Głębokość siedziska

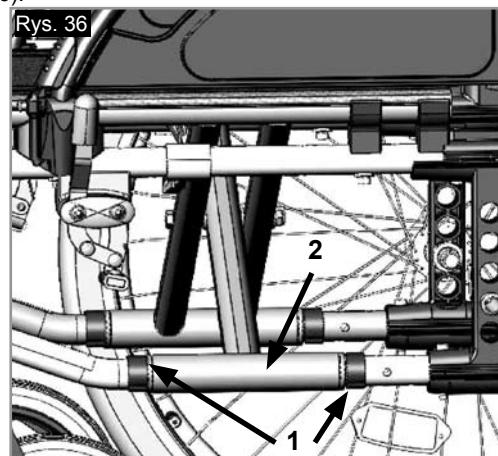
Możliwości dodatkowe — regulacja głębokości siedziska

GŁĘBOKOŚĆ SIEDZISKA

Poprzez usunięcie zacisków (1) można przesunąć zespół krzyżaka (2) wzdłuż ramy, co pozwoli na zmianę głębokości siedziska (w zależności od pozycji tylnych rur).

Upewnić się, że zaciski (1) weszły w odpowiednie otwory w ramie.

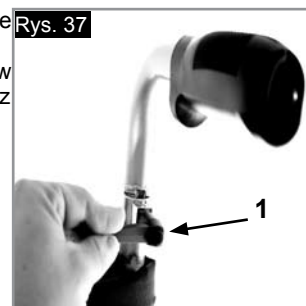
Aby utrzymać maksymalną zwartość ramy, głębokość siedziska może być również regulowana za pomocą tylnych rur (41 – 46 cm krokowo co 2,5 cm). Aby wykonać taką regulację, całkowicie odkręcić wkręty (1) i (2) na uchwycie tylnych rur. Zdemontować koła i podłokietniki i sprawdzić, czy krzyżak jest w żądanej pozycji (przesunąć krzyżak zgodnie z opisem powyżej). Przesunąć tylne rury do żądanej pozycji i ponownie dokręcić wszystkie wkręty. Przesunąć tuleję gniazdową podłokietników do żądanej pozycji (Rys. 36).



Możliwości dodatkowe — uchwyty do popychania

UCHWYTY DO POPYCHANIA Z REGULACJĄ W PIONIE

Rączki prowadzące są zabezpieczone sworzniami przed przypadkowym wysunięciem się. Położenie uchwytów w pionie można wyregulować poprzez zwolnienie dźwigni (1). Po regulacji przesunąć dźwignię zwalniającą (1) do pozycji naciągnięcia (Rys. 37).



⚠ UWAGA!

Jeżeli dźwignia nie będzie w odpowiednim położeniu, mogą powstać uszkodzenia podczas przenoszenia wózka nad przeszkodami.

Możliwości dodatkowe — uchwyt na kule

UCHWYT NA KULE

Uchwyt umożliwia przewóz kul bezpośrednio na wózku. Opaska z rzepami umożliwia zamocowanie kul lub innego sprzętu pomocniczego (Rys. 38).

OSTRZEŻENIE!

Nigdy nie używać i nie próbować odłączyć kul lub innego sprzętu pomocniczego podczas jazdy.



Możliwości dodatkowe — stół terapeutyczny

STÓŁ TERAPEUTYCZNY

Stół zapewnia płaską powierzchnię do różnych czynności. Przed użyciem stół musi być dostosowany przez autoryzowanego sprzedawcę do szerokości siedziska. Podczas regulacji użytkownik musi siedzieć w fotelu (Rys. 39).



Możliwości dodatkowe — drążek stabilizujący

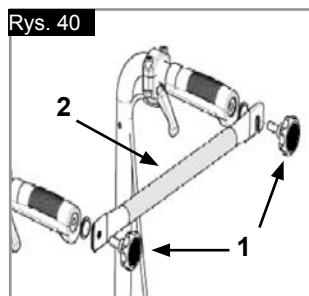
DRAŻEK STABILIZUJĄCY

Przed złożeniem wózka należy odkręcić pokrętkę (1) i odchylić drążek stabilizujący (2). Aby ponownie rozłożyć wózek, należy przeprowadzić powyższą procedurę w odwrotnej kolejności.



NIEBEZPIECZEŃSTWO!

- Przed rozpoczęciem eksploatacji wózka, upewnij się, że drążek stabilizujący i pokrętła są zamontowane i przymocowane prawidłowo.
- Nie wolno używać drążka stabilizującego do podnoszenia wózka!



Możliwości dodatkowe — kółka do transportu w wąskich przejściach

KÓŁKA DO TRANSPORTU W WĄSKICH PRZEJŚCIACH

Kółka te powinny być używane wtedy, gdy wózek jest za szeroki przy zamontowanych kołach tylnych (np. w wejściach do samolotu, autobusu itp.). Bezpośrednio po odłączeniu kół tylnych za pomocą półosi szybkiego montażu można kontynuować jazdę z użyciem **kółek do transportu** w wąskich przejściach. Kółka są zamontowane w taki sposób, że gdy nie są używane, znajdują się ok. 3 cm nad podłożem. Dzięki temu nie przeszkadzają one podczas jazdy, transportu i przejazdu nad przeszkodami (np. krawężnikami, stopniami itp.) (Fig. 41).



NIEBEZPIECZEŃSTWO!

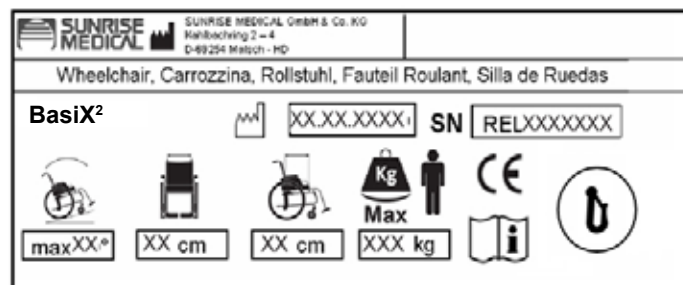
Wózek nie ma żadnej blokady kół, gdy są używane kółka do transportu w wąskich przejściach.

Tabliczki znamionowe

Tabliczki znamionowe

Tabliczki znamionowe są umieszczone na zespole krzyżaka, rurze ramy poprzecznej oraz na etykiecie w instrukcji użytkownika. Na tabliczce znamionowej umieszczono dokładne oznaczenie modelu i inne parametry techniczne. Przy zamawianiu części zamiennych i zgłaszaniu reklamacji należy zawsze podawać:

PRÓBKA



BasiX²
XXXXX-XXX

Nazwa produktu / numer SKU.



Maksymalna bezpieczna wartość wzniesienia z kółkami zabezpieczającymi zależy od ustawień wózka, postawy i możliwości fizycznych użytkownika.



Szerokość siedziska.



Głębokość (maksymalna).



Maksymalne obciążenie.



Znak CE



Instrukcja obsługi.



Poddano badaniom zderzeniowym



Data produkcji.



Numer seryjny.

W związku z prowadzoną przez firmę polityką nakierowaną na nieustanne ulepszanie swoich produktów, dane techniczne wózków mogą się nieznacznie różnić od przedstawionych przykładów. Wszystkie dane dotyczące masy/wymiarów i osiągnięć są przybliżone i podane wyłącznie w celach poglądowych. Produkty Sunrise Medical są zgodne z Dyrektywą Rady 93/42/EWG dotyczącą wyrobów medycznych.



Wszystkie wózki muszą być używane zgodnie z zaleceniami producenta.

Sunrise Medical GmbH & Co.KG
Kahlbachring 2-4
69254 Malsch/Heidelberg
Germany
Tel.: +49 (0) 7253/980-0
Fax: +49 (0) 7253/980-111
www.sunrisemedical.com

Opony i ich montaż

OPONY I ICH MONTAŻ

Pełne ogumienie jest wyposażeniem standardowym. Przy ogumieniu pneumatycznym upewnić się, że w oponach jest prawidłowe ciśnienie, gdyż wpływa ono na parametry wózka. Zbyt niskie ciśnienie opon powoduje zwiększenie oporu i jest niezbędna większa siła do poruszania wózka. Niskie ciśnienie w oponach wpływa również negatywnie na manewry. Przy zbyt wysokim ciśnieniu opona może ulec uszkodzeniu. Prawidłowa wartość ciśnienia jest opisana na brzegu opony (min. 3.5 bar).

Opony są montowane w taki sam sposób, jak w zwykłym rowerze. Przed założeniem nowej dętki należy upewnić się, że wewnątrz obręczy i opony są wolne od ciał obcych. Po montażu lub naprawie opony sprawdzić ciśnienie. Okresowe kontrole ciśnienia w oponach ich dobry stan są bardzo ważne dla bezpieczeństwa użytkownika wózka.

Konserwacja i utrzymanie

KONTROLA BEZPIECZEŃSTWA:

Użytkownik jest pierwszą osobą, która może dostrzec wszelkie uszkodzenia czy wady. Dlatego też, przed rozpoczęciem korzystania z wózka zalecane jest sprawdzenie czy:

Ciśnienie w oponach jest prawidłowe.

Hamulce działają poprawnie.

Wszystkie zdejmowalne elementy są przymocowane (np. podłokietniki, podnóżki, ramiona podnóżków, osie szybkozłączne itd.).

W przypadku stwierdzenia uszkodzenia lub usterki należy skontaktować się z autoryzowanym sprzedawcą.

KONSERWACJA:

Regularnie sprawdzać ciśnienie w oponach.

Regularnie, przynajmniej raz w roku, sprawdzać, czy opony nie są zużyte lub uszkodzone. W przypadku zauważenia oznak uszkodzenia lub zużycia, opony należy natychmiast wymienić. Regularnie, przynajmniej raz w roku, sprawdzać, czy siedzisko i zawieszki oparcia nie są zużyte lub uszkodzone. W przypadku zauważenia oznak uszkodzenia lub zużycia, należy je natychmiast wymienić.

Regularnie, przynajmniej raz w roku, sprawdzać, czy elementy ramy i oparcia nie są zużyte lub uszkodzone. W przypadku zauważenia oznak uszkodzenia lub zużycia, należy je natychmiast wymienić. Regularnie, przynajmniej raz w roku, sprawdzać, czy hamulce nie są zużyte lub uszkodzone. Sprawdzić je pod kątem prawidłowości działania i łatwości użycia. W przypadku zauważenia oznak uszkodzenia lub zużycia, hamulce należy natychmiast wymienić. Regularnie, przynajmniej raz w roku, sprawdzać, czy wszystkie wkręty i śruby są dokręcone (patrz rozdział o momentach obrotowych). Wszystkie śruby istotne dla bezpiecznego korzystania z wózka są wyposażone w nakrętki samozabezpieczające. Nakrętki samozabezpieczające się mogą być użyte tylko raz i należy je wymienić po zastosowaniu.

UWAGA: W przypadku podania w instrukcji momentu obrotowego zalecamy skorzystanie z przyrządu do pomiaru w celu upewnienia się, że śruby zostały dokręcone z odpowiednim momentem obrotowym.

Do czyszczenia wózka stosować wyłącznie łagodne środki czyszczące. Do czyszczenia tapicerki siedziska i pasa biodrowego stosować wyłącznie wodę z mydłem.

Zależnie od częstotliwości i sposobu eksploatacji, zaleca się regularnie, przynajmniej raz w roku, oddawać wózek do konserwacji u wyszkolonych specjalistów.

⚠ UWAGA!

Piasek, sól i woda morska mogą uszkodzić łożyska kół przednich i tylnych. Po wystawieniu wózka na działanie tych czynników, należy go dokładnie wyczyścić i osuszyć.

ZASADY HIGIENY PRZY PONOWNYM UŻYCIU:

Wózek należy przygotować starannie przed kolejnym użyciem, spryskując środkiem dezynfekującym wszystkie powierzchnie mające kontakt z ciałem użytkownika.

Aby móc to zrobić szybko, należy skorzystać z płynnego środka dezynfekcyjnego na bazie alkoholu przeznaczonego do urządzeń medycznych.

Stosować się do instrukcji producenta danego środka dezynfekującego.

Usuwanie usterek

Wózek przechyla się na jedną stronę

- Sprawdzić ciśnienie w oponach
- Sprawdzić, czy koła toczą się bez oporów (łożyska, oś)
- Sprawdzić nachylenie kółek przednich
- Sprawdzić, czy oba kółka przednie mają odpowiedni kontakt z podłożem

Kółka przednie zaczynają drgać

- Sprawdzić nachylenie kółek przednich
- Sprawdzić, czy wszystkie wkręty są dokręcone; dokręcić je w razie potrzeby (rozdział o momentach dokręcających)
- Sprawdzić, czy oba kółka przednie mają odpowiedni kontakt z podłożem

Wózek skrzypi i trzeszczy

- Sprawdzić, czy wszystkie wkręty są dokręcone; dokręcić je w razie potrzeby (rozdział o momentach dokręcających)
- Dodać niewielką ilość smaru w punktach kontaktu ruchomych części ze sobą

Wózek zaczyna drgać

- Sprawdzić kąt nachylenia kółek przednich
- Sprawdzić ciśnienie w oponach
- Sprawdzić, czy tylne koła są jednakowo wyregulowane

Usuwanie i recykling materiałów

UWAGA: Jeżeli wózek dostarczono użytkownikowi za darmo, być może nie jest on jego własnością. Jeżeli wózek nie jest dłużej potrzebny, postępować zgodnie z instrukcjami dostawcy wózka dotyczącymi możliwości jego zwrotu.

Poniższe informacje dotyczą materiałów użytych do produkcji wózka w odniesieniu do ich usuwania, recyklingu wózka i jego pakowania. Podczas organizowania utylizacji materiałów sprawdzić, jakie lokalne przepisy regulują zagadnienia usuwania i recyklingu odpadów. (Mogą one wymagać oczyszczenia lub odkażenia wózka przed jego usunięciem).

Aluminium: Widelki kółek przednich, boczne ramy, ramy podłokietników, podnóżki, uchwyty do popychania

Stal: Łączniki, półośie szybkiego montażu

Tworzywa sztuczne: Uchwyty, zatyczki rur, kółka przednie, płyty podnóżków, płyty podłokietników, koła/opony 12"

Opakowanie: Torby z polietylenu o niskiej gęstości, pudła tekturowe.

Tapicerka: Tkanina poliestrowa z pokryciem PCW i ekspandowaną pianką modyfikowaną.

Usuwanie lub recykling materiałów powinny być wykonywane przez licencjonowanego przedstawiciela lub autoryzowany punkt utylizacji. Alternatywnie można zwrócić wózek sprzedawcy celem jego utylizacji.



Dane techniczne

Szerokość całkowita

Ze standardowymi kołami z obręczami, zmontowany:

SS +19 cm

Z kołami z hamulcem bębnowym i obręczami, zmontowany:

SS +21 cm

Wymiary po złożeniu:

Ze standardowymi kołami = 30 cm

Bez standardowych kół = 24 cm

Maksymalne obciążenie:

do obciążenia 125 kg

Masa w kg:

Do transportu (bez podnóżka, kół, osłon bocznych) 8,4 kg

Podnóżek ((komplet):

0,8 kg

Standardowa osłona boczna (szt.):

0,8 kg

Koła tylne 24 cali (pełne) (para):

3,8 kg

MAKSYMALNE OBCIĄŻENIE: 125 KG

PATRZ TAKŻE STR. 5

Zgodnie z normą EN12183: 2009 wszystkie wymienione części (siedzisko – tapicerka oparcia, podłokietnik, panel boczny...) są ognioodporne zgodnie z normą EN1021-2.

Wartość bezpiecznego kąta nachylenia użytkownika wózka uzależniona jest od konfiguracji, umiejętności użytkownika oraz stylu jazdy.

Maksymalna wartość kąta nachylenia nie może być określona, ponieważ umiejętności użytkownika oraz styl jazdy są niemożliwe do przewidzenia. Dlatego wartość musi zostać określona przez użytkownika przy obecności osoby


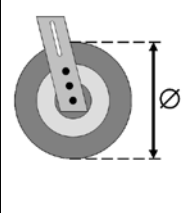
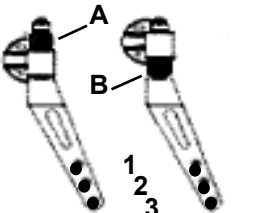
towarzyszącej w celu uniknięcia przewrócenia wózka. Usilnie zaleca się, aby niedoświadczeni użytkownicy wyposażyli swój wózek w kółka zabezpieczające.


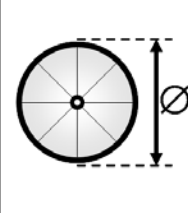
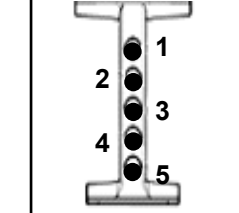
Wózek spełnia wymagania następujących norm:

a) Wymagania i metody badań wytrzymałości statycznej, zmęczeniowej i odporności na uderzenia (ISO 7176-8)

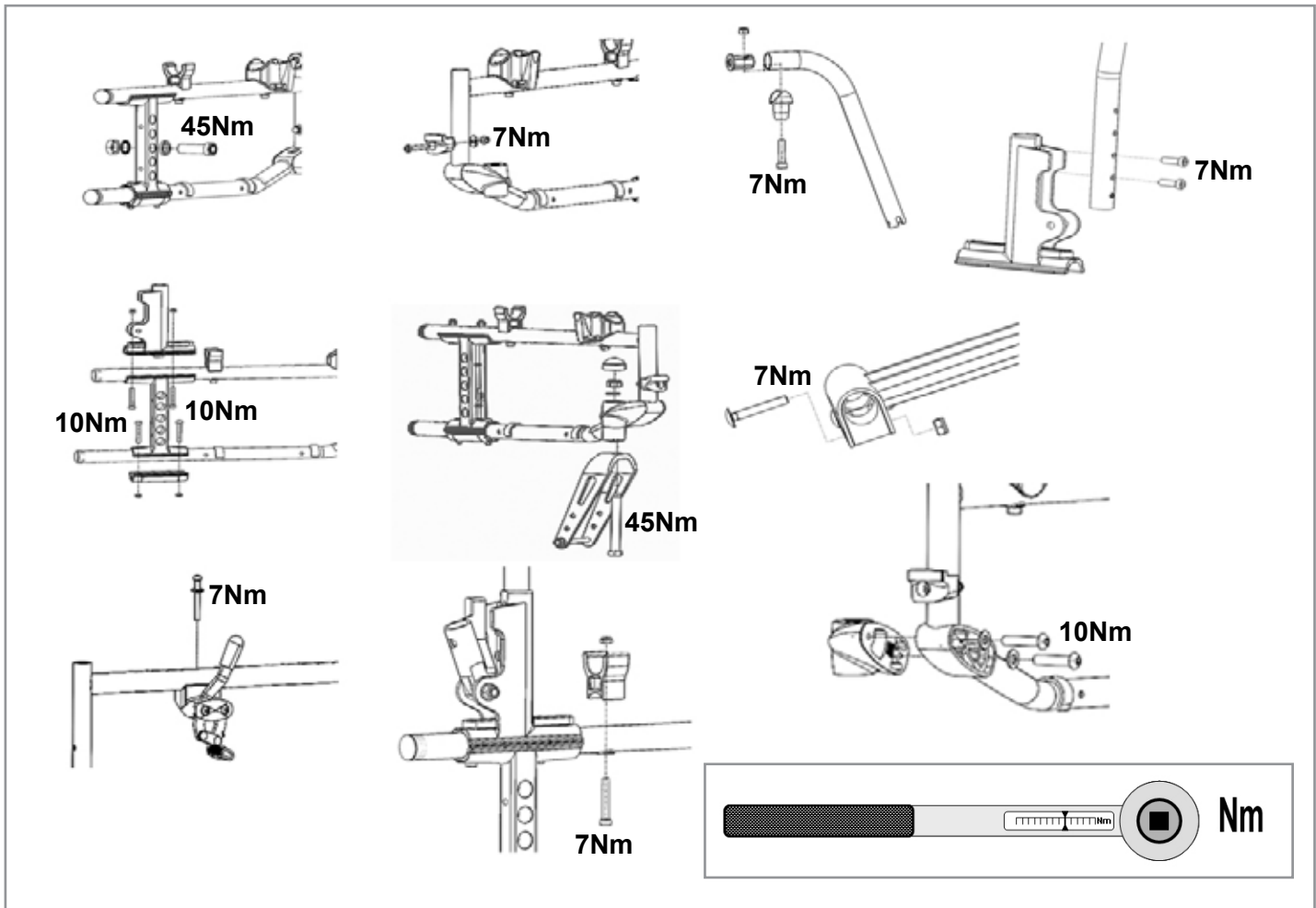
b) Wymagania odporności na zapalenie zgodnie z ISO 7176-16 (EN 1021-1)

Regulacja wysokości siedziska

		
425 mm	8"	1A
450 mm	8"	2A 1B
480 mm	8"	3A 2B
505 mm	8"	3B
425 mm	6"	2A 1B
450 mm	6"	3A 2B
480 mm	6"	3B

		
400 mm	24"	1
425 mm	24"	2
450 mm	24" 12"	3
475 mm	24"	4
500 mm	24"	5

Momenty dokręcające



JEŻELI NIE PODANO INACZEJ, MOMENT
DOKRĘCAJĄCY DLA WKRĘTÓW M6 WYNOŚI
7 NM.

Förord

Bästa kund,

Vi är mycket glada att du bestämt dig för att välja en högkvalitativ produkt från SUNRISE MEDICAL.

Denna bruksanvisning ger dig en mängd tips och idéer som kommer att göra din nya rullstol till en pålitlig och driftsäker partner i din vardag.

Vi vill att du ska vara nöjd med våra produkter och vår service. På Sunrise Medical arbetar vi ständigt med att vidareutveckla produkterna. Detta innebär att du kan komma att uppleva skillnader i vårt produktsortiment vad gäller form eller funktion. Därför kan inga uppgifter eller bilder i denna bruksanvisning utgöra grund för ersättningskrav.

Sunrise Medicals ledningssystem är certifierat enligt ISO 9001, ISO 13485 och ISO 14001.



SUNRISE MEDICAL deklarerar i egenskap av tillverkare att rullstolarna uppfyller 93/42/EEC, ändrad enligt ändringsdirektivet 2007/47/EC.

Dessutom uppfyller de prestandakraven för "Krocktestet" enligt ISO 7176-19

Kontakta din lokala auktoriserade Sunrise Medical-återförsäljare om du har frågor gällande användning och underhåll av, eller säkerhet kring, din rullstol.

Om det inte finns en Hjälpmedelscentral som förskriver produkter från Sunrise Medical där du bor, och du har frågor till oss, kontakta oss då antingen per brev eller telefon (kontaktadresser finns på baksidan).

Sunrise Medical AB
Box 9232
400 95 Göteborg
Sweden
Tel.: +46 (0) 31-748 37 00
www.sunrisemedical.com

Anteckna gärna adress och telefonnummer till ditt auktoriserade Sunrise Medical-ombud eller din hjälpmedelscentral i utrymmet nedan.

Skulle din rullstol gå sönder kan du då snabbt komma i kontakt med dem och få hjälp.



VIKTIGT:
ANVÄND INTE DIN RULLSTOL FÖRRÄN DENNA
BRUKSANVISNING HAR LÄSTS OCH FÖRSTÅTTS.

Symbolbeskrivning



FARA!

Varningsmeddelanden beträffande möjliga risker för allvarliga olyckor eller dödsfall.



VARNING!

Varningsmeddelande beträffande möjliga risker för skada.



VIKTIGT!

Varningsmeddelanden beträffande möjliga tekniska skador.

OBS:

Information för att hantera produkten.

Innehållsförteckning

Wheelchair Components	2
Förord	132
Symbolbeskrivning	132
Innehållsförteckning	132
Användning	132
Lämpliga användare	132
Allmänna säkerhetspåpekanden och korrrektioner	133
Garanti	134
Transport i fordon	135
Hantering	137
Inställningar/funktioner – Trampör	137
Inställningar/funktioner - Bromsar	137
Inställningar/funktioner – Fotplattor	138
Inställningar/funktioner - Länkhjul	138
Inställningar/funktioner – Länkhjulsadapter	138
Inställningar/funktioner - Ryggstöd	139
Inställningar/funktioner - Sidoskydd	139
Inställningar/funktioner – Tippskydd	140
Inställningar/funktioner – Midjebälte	140
Inställningar/funktioner - Sits	141
Inställningar/funktioner – Sitsdjup	141
Inställningar/funktioner – Körhandtag	141
Inställningar/funktioner - Kryckhållare	142
Inställningar/funktioner - Terapibord	142
Inställningar/funktioner - Stabiliseringsstag	142
Inställningar/funktioner – Transithjul	142
Märkskylt	142
Däck och montering	143
Underhåll och skötsel	143
Felsökning	143
Avfallshantering/återvinning av material	143
Tekniska specifikationer	144
Sitsens höjdjustering	144
Vridmoment	145

Användning

Lätta rullstolar är endast avsedda för brukare som inte kan gå eller som har begränsad rörlighet, för sitt eget personliga bruk inom- och utomhus på torr, fast och jämn mark (självdriven eller med ledsagare).

Den maximala brukarvikten (för användaren samt vikt av eventuella rullstolstillbehör) finns angiven på serienummeretiketten, som sitter på tvärbalken eller stabilisatorn under sitsen.

Garantier gäller endast om produkten används under angivna förhållanden samt för avsedda syften.

Rullstolens förväntade livslängd är 5 år. Vänligen använd INTE och montera inte delar från någon tredje part på rullstolen, som inte är officiellt godkända av Sunrise Medical.

Lämpliga användare

Tillbehörssortimentet och moduldesignen innebär att stolen kan användas av personer som inte kan gå eller har begränsad rörelseförmåga på grund av:

- Förlamning
- Benamputation
- Benskada eller benmissbildning
- Ledkontrakturer eller ledsador
- Sjukdomar som hjärt- och cirkulationsproblem, balansrubbingar eller kakexi samt för äldre personer som fortfarande har styrka i den övre delen av kroppen.

Notera kroppsstorlek, vikt, fysisk och psykisk status, ålder samt levnadsförhållanden och -miljö för de patienter som eventuellt ska ordinerats hjälpmedlet.

Allmänna säkerhetspåpekanden och körrestriktioner

Rullstolen har konstruerats för maximal säkerhet. Gällande internationella säkerhetsstandarder har uppfyllts eller överträffats. Trots detta kan användaren utsätta sig för risker om rullstolen används på olämpligt sätt. För din egen säkerhet måste följande anvisningar följas.

Oprofessionella eller felaktiga ändringar eller justeringar ökar olycksrisken. Rullstolsanvändare är lika delaktiga i den dagliga trafiken på gator och trottoarer som vem som helst. Vi vill därför påminna dig om att du måste följa alla tillämpliga trafikregler. Var försiktig första gången du använder rullstolen. Lär känna din rullstol.

Före varje användning bör följande kontrolleras:

- Fasta axlar eller snabbkopplingsaxlar på drivhjulen.
- Kardborrelåsen på sitsar och ryggstöd
- Däck, däcktryck och däckbromsar

Ska du ändra någon stolsinställning är det viktigt att du först läser det aktuella avsnittet i bruksanvisningen.

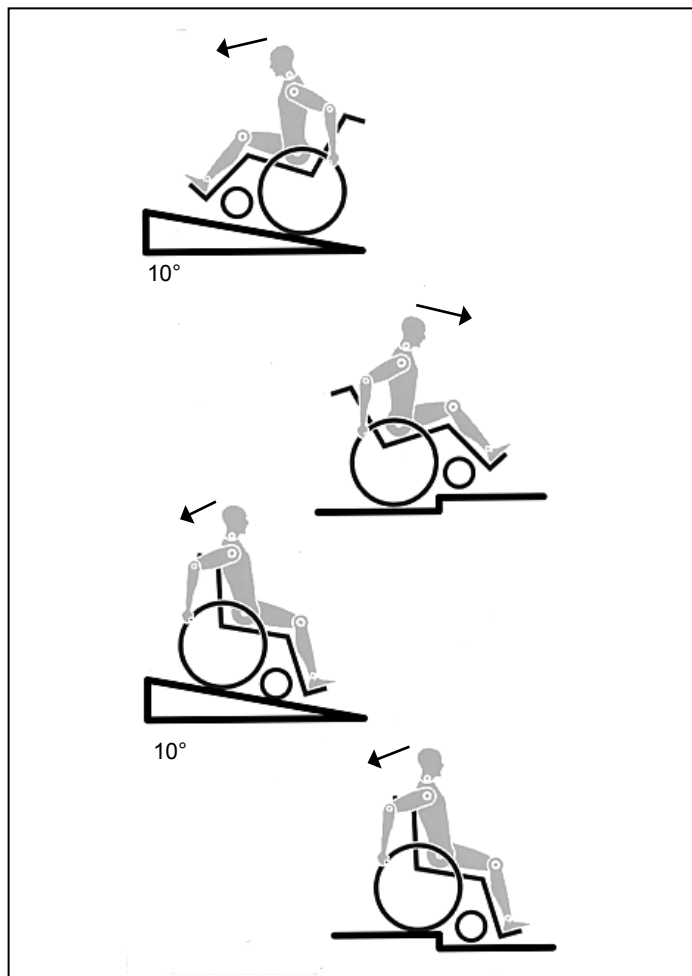
Gropar eller ojämn terräng kan orsaka att rullstolen välter, särskilt vid uppförs- eller nedförskörning. När du passerar över ett trappsteg eller uppför en sluttning frontalt, bör du luta kroppen framåt.



- Överskrid ALDRIG maxlasten på 125 kg för brukaren och alla föremål som transporteras på rullstolen. Om maxlasten överskrids, kan följden bli att rullstolen skadas eller att du ramlar eller välter eller förlorar kontrollen, vilket kan leda till allvarliga personskador.
- Bär ljusa eller reflexförsedda kläder när det är mörkt, så att andra trafikanter ser dig. Se till att reflexerna på sidorna och baktill på stolen är fullt synliga.
- Vi rekommenderar också att du har aktiv belysning monterad.



- För att undvika tippning och andra farliga situationer bör du först träna dig i att använda din nya rullstol på plan mark med



god sikt.

- Använd inte fotplattorna när du stiger på eller av rullstolen.
- De ska på förhand vara uppfällda och utsvängda så långt som möjligt åt sidorna. Positionera alltid dig själv så nära som möjligt den plats du önskar förflytta dig till.
- Använd försiktighet och sunt förnuft när du kör din rullstol. Bromsa t.ex. alltid in när du närmar dig ett hinder (trappsteg, trottoarkant) eller gropar.
- Bromsarna är inte avsedda att stoppa rullstolen när den är i rörelse. De är enbart ett slags parkeringsbromsar som ser till att rullstolen inte kan rulla iväg av sig själv. När du stannar på ojämnt underlag bör du alltid använda bromsarna för att förebygga oavsiktliga rörelser. Slå alltid till bägge bromsarna, annars finns det risk att stolen välter.
- Ta reda på hur rullstolens egenskaper t.ex. i sluttningar eller vid hinder, påverkas när tyngdpunkten ändras. Gör detta med hjälp av en ledsagare.
- Med extrema inställningar (t.ex. bakhjulen i den yttersta främre positionen) och inte perfekt kroppshållning, kan rullstolen välta även om underlaget är jämnt.
- Luta överkroppen framåt vid körning uppför sluttningar och trappsteg.
- Luta överkroppen bakåt vid körning nedför sluttningar och trappsteg. Försök aldrig köra upp- eller nedför en sluttning diagonalt.
- Åk inte rulltrappa om du bedömer att du kan skada dig allvarligt om du skulle falla.
- Kör inte rullstolen i lutningar brantare än 10°. Stabiliteten vid körning i lutning beror på stolskonfigurationen samt användarens färdigheter och körsätt. Eftersom användarens färdigheter och körsätt inte kan förutses, kan någon maximal säker lutning inte fastställas. Denna måste därför fastställas av användaren, som därvid tar hjälp av ledsagare för att inte tippa. Vi rekommenderar starkt att oerfarna användare har tipskydd monterade på stolen.
- Gropar eller ojämn terräng kan orsaka att rullstolen välter, särskilt vid uppförs- eller nedförskörning.
- Kör inte rullstolen på lerigt eller isigt underlag.
- Kör inte med rullstolen där det är förbjudet att gå till fots.
- För undvikande av handskador ska du inte föra in handen mellan ekrarna eller mellan bakhjul och däckbroms under körning.
- Fingrar blir lätt varma vid inbromsning i hög hastighet eller i lång nedförsbacke, speciellt om drivringarna är i lättmetall.
- Förflyttning i trappor ska alltid ske med hjälp av en ledsagare. Använd tillgängliga hjälpmedel som t.ex. ramper eller hissar. Finns ingen sådan utrustning tillgänglig måste stolen tippas och skjutas – aldrig bäras – över hindret (av två ledsagare). Vi rekommenderar att brukare över 100 kg i vikt inte förflyttas på detta sätt. Normalt måste eventuella tipskydd först ställas in så att de inte kan komma i beröring med trappsteg och orsaka en fallolycka. Efteråt måste tipskydden sättas tillbaka till ursprungsläget.
- Säkerställ att ledsagaren endast håller i rullstolen med hjälp av säkert monterade delar. Avlägsna inte löstagbara delar (t.ex. inte på fotplattor eller sidoskydden).

FARA!

- Kontrollera att monterade tippskydd befinner sig utanför riskzonen när ramper används.
- Slå till rullstolens bromsar då du parkerar på ojämnt underlag samt vid förflyttning (t.ex. in i en bil).
- Vid färd i handikapptransportfordon bör i första hand fordonets egna säten och fastspänningsanordningar användas. Det är enda sättet att tillförsäkra de åkande maximalt skydd i händelse av en olycka.
- Beroende på länkhjulens diameter och inställning samt rullstolens tyngdpunktsinställning kan länkhjulen börja wobbla vid höga hastigheter. Detta kan leda till att länkhjulen slutar fungera och att rullstolen tippar. Kontrollera därför att länkhjulen är korrekt inställda (se kapitlet "Länkhjul").
- Färdas i synnerhet inte i slutningar utan bromsar, kör med minskad hastighet. Vi rekommenderar att nybörjare använder tippskydd.
- Tippskydden är avsedda att förhindra att rullstolen oavsiktligt välter bakåt. Under inga omständigheter får de ersätta transithjulen användas för att transportera en person i en rullstol med bakhjulen borttagna.
- Om du sträcker dig efter föremål (som befinner sig framför, bakom eller på sidan av rullstolen), sträck dig då inte för långt utanför rullstolen eftersom en tyngdpunktsändring kan medföra att rullstolen välter. Om du hänger extra last (ryggsäck eller liknande föremål) bakpå rullstolen kan dess stabilitet komma att påverkas; särskilt i kombination med användning av ryggstöd med recline-funktion. Detta kan leda till att stolen tippar bakåt och att du skadas.
- Låramputerade användare måste använda tippskydd.
- Kontrollera före färd att du har rätt däcktryck. För drivhjulen är det 3,5 bar (350 kPa). Maxtrycket står angivet på däcket. Knäledsbromsarna fungerar endast om däcktrycket är tillräckligt högt och de har korrekt inställning (se kapitlet "Bromsar").
- Vid skada på sits eller ryggstöd måste du omedelbart byta ut skadade delar.
- Var försiktig med eld, särskilt brinnande cigaretter. Sitsen eller ryggstödet kan fatta eld.
- Om rullstolen är utsatt för direkt solljus / kalla temperaturer under en lång period, kan rullstolens delar (t.ex. ram, benstöd, bromsar och sidoskydd) bli heta (>41°C) / mycket kalla (<0°).
- Se alltid till att snabbkopplingsaxlarna på drivhjulen är inställda korrekt och helt inne i hylsan (låsta kullager visas helt genom axelhylsa). Om knappen på snabbkopplingsaxeln inte trycks in kan drivhjulet inte tas av.

VIKTIGT!

- Såväl knäledsbromsens effektivitet som rullstolens allmänna köregenskaper beror av däcktrycket. Stolen är betydligt mer lättmanövrerad då bakdäcken är ordentligt uppumpade och bägge däcken har samma tryck.
- Se till att däcken har tillräckligt mönsterdjup!
- Observera att du måste följa alla tillämpliga lagar och trafikregler när du kör ute i trafiken.
- Var alltid försiktig vid hantering eller justering av rullstol!
- Justeringar som kräver verktyg bör utföras på hjälpmedelscentralen.
- Rengör rullstolen regelbundet för att undvika rost och saltkorrosion.
- Kontrollera att nitar, muttrar och bultar är åtdragna och att inga rullstolsdelar är lösa.

VIKTIGT!

- Med alla rörliga delar finns det en naturlig klämrisk av fingrar. Hantera varsamt.
- Det är inte säkert att de produkter som visas och beskrivs i den här handboken är i varje detalj lika din modell. Oavsett eventuella detaljer som skiljer ska samtliga instruktioner gå att tillämpa.

- Tillverkaren reserverar sig rätten att utan föregående meddelande ändra vikter, mått eller andra tekniska data som anges i den här handboken. Alla siffror, mått och prestanda som anges i den här handboken är ungefärliga och utgör ej specifikationer.

Livslängd

Den förväntade livslängden för denna produkt är 5 år förutsatt att:

den används strikt enligt avsett bruk
alla service- och underhållskrav är uppfyllda.

Garanti

GARANTI

DETTA PÅVERKAR INTE PÅ NÅGOT SÄTT DINA ÖVRIGA LAGLIGA RÄTTIGHETER.

Garantivillkor

1) Reparationen eller bytet ska utföras av en auktoriserad Sunrise Medical återförsäljare/handlare.

2) För att tillämpa dessa garantivillkor bör du ta kontakt i enlighet med dessa villkor, meddela den avsedda Sunrise Medical serviceagenten omedelbart att ge full information kring problemets innebörd. Om du använder produkten utanför området för den avsedda Sunrise Medical serviceagentens arbetsplats under "Garantivillkor" kommer detta arbete att utföras av annan serviceagent som utsetts av tillverkaren.

3) Skulle någon del av rullstolen kräva reparation eller utbyte, som ett resultat av en specifik tillverknings- eller materialdefekt, inom 24 månader (5 år för ram med tvärbalkar) från det datum när innehavet av produkten överfördes till ursprungsköparen, och lydande under denne under detta ägande, kommer delen eller delarna att repareras eller ersättas helt kostnadsfritt om den returneras till en auktoriserad serviceagent.
OBS! Denna garanti kan ej överlåtas.

4) Alla reparerade eller utbytta delar kommer att omfattas av denna uppgörelse under återstoden av den garantiperiod som gäller för rullstolen.

5) På delar som bytts ut efter att den ursprungliga garantin upphört, lämnas ytterligare 12-månadersgaranti.

6) Delar av förbrukningskaraktär täcks vanligtvis inte av garantin under den normala garantiperioden, såvida de inte uppenbarligen har utsatts för överdriven nötning som ett direkt resultat av en brist i ursprunglig tillverkning. Exempel på sådana artiklar är batterier, klädsel, däck, innerslangar och liknande delar.

7) Ovanstående garantivillkor gäller för samtliga produktmodeller som inköpts till fullt detaljhandelspris.

8) Under normala förhållanden accepteras inget ansvar när produkten behöver reparation eller utbyte som ett direkt resultat av att:

- a) Produkten eller delen inte har underhållits eller erhållit service i enlighet med tillverkarens rekommendationer, som anges i bruksanvisningen och / eller serviceanvisningen, eller att andra delar än de specificerade originaldelarna har använts.
- b) Produkten eller delen har skadats av vanskötsel, olycka eller felaktig användning.
- c) Produkten eller delen har förändrats från tillverkarens specifikationer eller reparationer har utförts innan serviceagenten har meddelats.
- d) Om produkten har roststat beroende på felaktigt underhåll

Transport i fordon

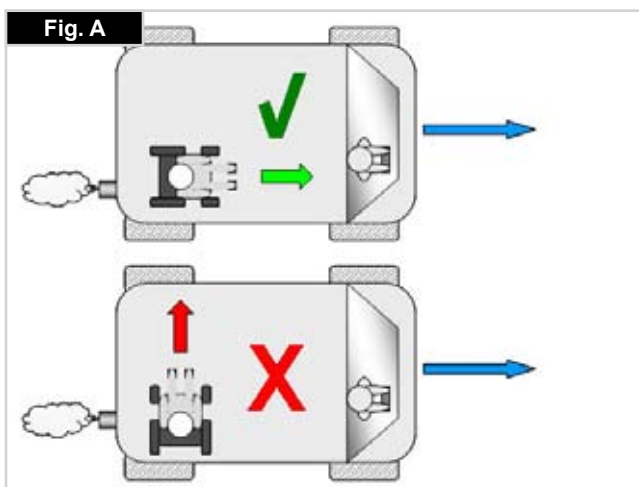
FARA!

Det finns risk för allvarlig skada eller dödsfall om dessa råd inte åtföljs!

Transportera rullstolen i ett fordon

En rullstol som transporteras fastspänd i ett fordon ger inte samma skydd och säkerhet som fordonets egna säten. Det rekommenderas alltid att användaren flyttas över till fordonets säte. Det är känt att det inte alltid är möjligt för användaren att flyttas och under dessa förhållanden, när användaren ska transporteras i rullstolen, måste följande råd följas:

1. Säkerställ att fordonet är lämpligt utrustat för transport av passagerare i en rullstol, och att metoden för ingång/utgång är lämpad för din rullstolstyp. Fordonet bör ha golvhållfasthet för att klara den kombinerade vikten av användaren, rullstolen och rullstolstillbehör.
2. Det måste finnas tillräckligt med utrymme runt rullstolen för att komma åt att fästa, dra åt och lossa såväl rullstolens fästankordningar som användarens säkerhetsbälten.
3. Rullstolen med användaren i måste stå i färdriktningen, med såväl säkerhetsfästen för rullstolen som säkerhetsbälte för användaren anbringade (bägge ska uppfylla ISO 10542 eller SAE J2249) enligt respektive säkerhetsanordningstillverkarens instruktioner.
4. Transport av rullstolen i andra positioner har inte testats. Stolen får därför under inga omständigheter transporteras i annan position, t.ex. vinkelrätt mot färdriktningen (Fig. A).
5. Rullstolen bör säkras med ett system med säkerhetsfästen, som uppfyller ISO 10542 eller SAE J2249 med icke-justerbara främre remmar och justerbara bakre remmar, med vanliga Karbiner-band/S-krokar och spänn- och låsanordningar. Dessa fästankordningar består vanligen av 4 individuella remmar som är fästa i rullstolens alla hörn.
6. Fästankordningen bör vara på rullstolens främre ram som anges i bilden på nästa sida, och inte till några andra fästankordningar eller tillbehör, inte t.ex. runt hjulens ekrar, bromsar eller fotstöd.



7. Fästankordningen bör fästas så nära som möjligt i 45 graders vinkel och dras åt ordentligt enligt tillverkarens anvisningar.

8. Rullstolens fästpunkter för säkerhetsutrustning får inte modifieras eller bytas ut, inte heller delar i ramen eller annan viktig struktur, utan att tillverkaren konsulteras. Om du inte följer dessa råd gäller inte krocktesten för rullstolen vid transport i ett fordon.

9. Säkerhetsbälte både för midjan och övre bålen bör användas för att fästa användaren för att reducera risken för påverkan på huvud- och bröst av fordonets komponenter och allvarlig risk för skada på användaren och övriga användare av fordonet. (Fig. B) Övre bälens säkerhetsbälte bör monteras på fordonets "B" stöd - om detta inte görs ökar risken för allvarliga skador på användarens mage.

10. Ett nackstöd lämpat för transport (se etiketten på stödet) måste finnas monterat samt hela tiden under färd vara inställt för att ge ett bra skydd.

11. Midjestödbälten bör inte användas som säkerhetsbälte i ett fordon under färd, med undantag av bälten som uppfyller kraven i ISO 7176-19:2001 eller SAE J2249.

12. Rullstolsanvändarens säkerhet under färd är beroende av att personen som anbringar fästankordningarna dels har fått erforderlig information om och/eller utbildning i hur dessa fungerar, dels att denne utför uppgiften noggrant.

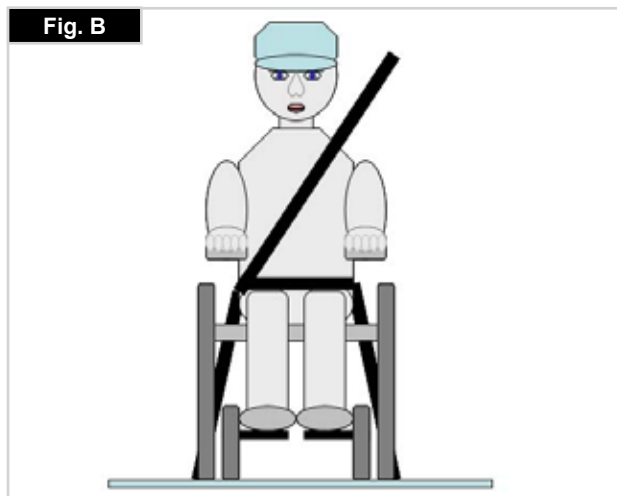
13. Så långt det låter sig göras ska all extrautrustning avlägsnas från rullstolen och stuvats undan. Det gäller exempelvis: Kryckor, lösa dynor och bord.

14. Vinkelställbart benstöd bör inte användas i upphöjd position när rullstolen och användaren transporteras och rullstolen är fastspänd med transport- och användarbälten.

15. Vinklat ryggstöd bör återföras till en upprätt position.

16. Handbromsarna måste vara ordentligt åtdragna.

17. Bälten bör monteras på fordon "B" stöden och bör inte hållas borta från kroppen av rullstolskomponenter som armstöd eller hjul.



Transport i fordon >>>

SÄKERHETSÅLLEN, ANVISNINGAR

1. SÅkerhetsÅllet för midjan ska sitta lågt över höfterna så att Ållets vinkel ligger inom det rekommenderade området 30 till 75 grader från horisontalplanet.

Ju brantare (större) vinkel inom det rekommenderade området desto bättre, så länge den inte överstiger 75°. (Fig. C)

2. SÅkerhetsÅllet för överkroppen måste löpa över skuldran och bröstet så som visas på bilden. Fig. D och E

SÅkerhetsÅllet ska dras åt så hårt som möjligt utan att användaren upplever obehag.

SÅkerhetsÅllet får inte vara snodda.

SÅkerhetsÅllet för övre Ållet måste löpa över axeln enligt bild i Fig. D och E.

3. FÅstpunkterna på stolen År på ramens insida framtill, precis ovanför lÅnkhjulen, samt på ramens baksida. Remmarna fÅsts runt ramens sidor, i skarven mellan ramens horisontalgÅende och vertikalgÅende rÅr. (Se Fig. G - K)

4. FastspÅnningssymbolen (Fig. F) pÅ rullstolsramen Ånger var remmarna ska fÅstas. DÅ de frÅmre remmarna spÅnts fast ska remmarna dras Åt, så att stolen stÅr stadigt.

Fig. C

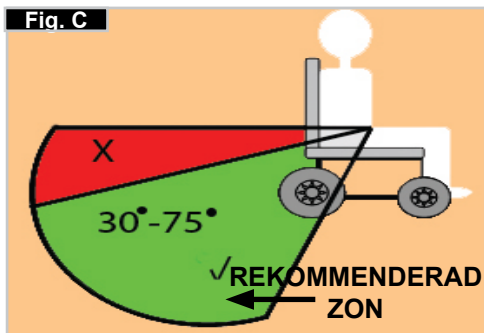


Fig. D

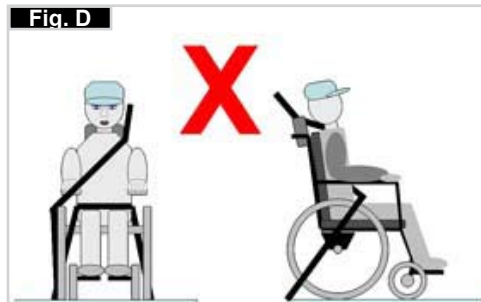


Fig. E

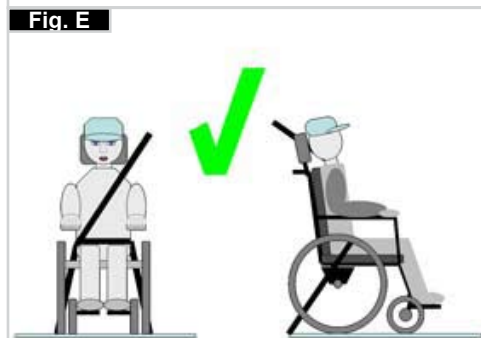


Fig. F

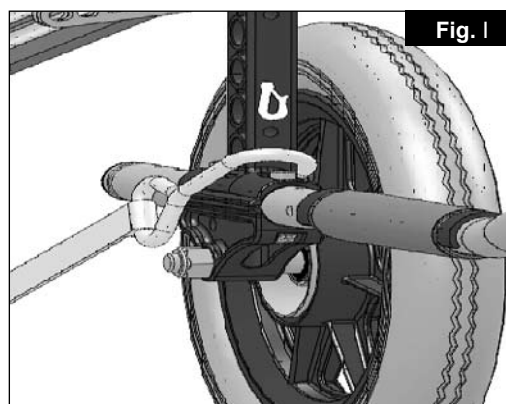
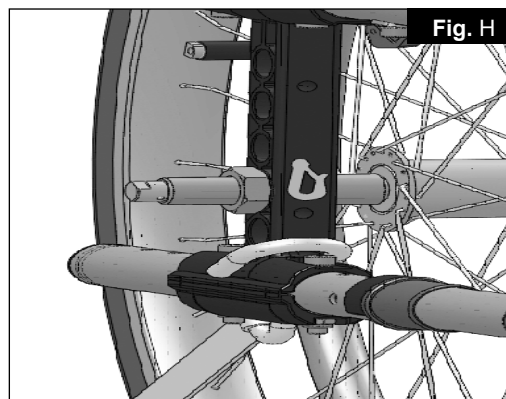
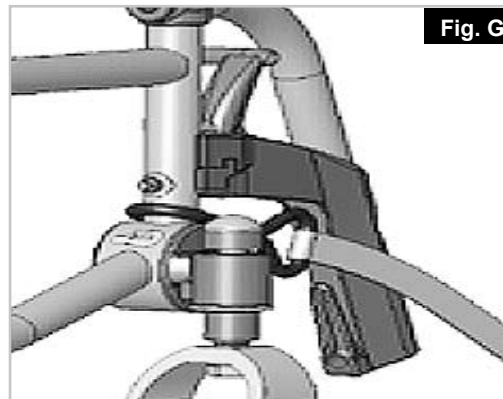


PLACERING AV FÅSTPUNKTER PÅ RULLSTOLEN:

1. Placering för frÅmre och bakre dekaler för fÅstpunktens placering (Fig. G-H-I).

2. LÅge för frÅmre, (Fig. G) och bakre, (Fig. H-I), fÅstanordningar för rullstolen och dekal för fÅstpunkt.

3. Sidovy av fÅstremmar, (Fig. J).



Hantering

FÄLLA IHOP

Ta först bort sittdynan från rullstolen och och fäll upp (hel) fotplatta eller delade fotplattor. Fatta tar i sitsdukens mitt, underifrån och tryck uppåt. Rullstolen fälls nu ihop. Ta bort benstöden (modellberoende) om du vill fälla ihop rullstolen så att den blir så liten som möjligt för att t.ex få plats i en bil. För att göra detta lossar du spärren från utsidan och svänger benstödet åt sidan. Lyft sedan bort benstödet från ramröret (Fig. 1).



FÄLLA UT

Tryck ner sitsröret (se figur). Nu är rullstolen utfälld. Kläm fast sitsrören på plats. Momentet underlättas om du lutar rullstolen lite grann så att tyngden tas bort från ett av bakhjulen. **Akta så att du inte fastnar med fingrarna i tvärstaget.** Sätt tillbaka sittdynan och ryggstödsstommen (Fig. 2).



Snabbkopplingsaxlar på bakhjul

Bakhjulen är utrustade med snabbkopplingsaxlar. Hjulen kan följaktligen tas på och av utan hjälp av verktyg. Du tar av ett hjul genom att helt enkelt trycka ned knappen på snabbkopplingen (1) och dra av hjulet från axeln (fig. 3).



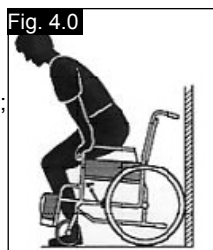
VIKTIGT:

När du monterar bakhjulen ska du hålla knappen på

snabbkopplingsaxeln nedtryckt medan du för in axeln i ramen. När du släpper knappen låses hjulet på plats. Knappen bör då hoppa tillbaks till utgångsläget.

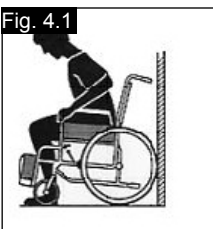
SÄTTA SIG I RULLSTOLEN PÅ EGEN HAND (FIG. 4.0)

- Rullstolen bör ställas mot en vägg eller en stabil möbel;
- Bromsarna bör vara på;
- Fotplattorna bör fällas upp;
- Användaren kan sedan placera sig i rullstolen;
- Fotplattorna ska sedan tryckas ned och fötterna vila på dem framför häbanden.



TA SIG UR RULLSTOLEN PÅ EGEN HAND (FIG. 4.1)

- Bromsarna bör vara på;
- De gångjärnsförsedda fotplattorna bör vikas upp;
- Med ena handen på ena handstödet, bör personen böja sig något framåt för att föra kroppsvikten framåt i sätet, och med båda fötterna stadigt på marken, med ena foten tydligt bakåt, komma i upprätt position.



⚠ VARNING!

- Stå inte på fotplattorna när du står upp, eftersom rullstolen kan tippa. Det är enklare och säkrare att komma ner i rullstolen om du viker upp fotplattorna och svänger dem åt sidan eller tar bort dem från rullstolen.
- Bromsa alltid stolen när du förflyttar dig till eller från rullstolen.

Inställningar/funktioner – Trampör

TRAMPÖR

Med hjälp av trampör kan ledsagaren tippa upp rullstolen över olika hinder. Trampa på röret för att kunna skjuta stolen över exempelvis en trottoarkant eller ett trappsteg (Fig. 5).



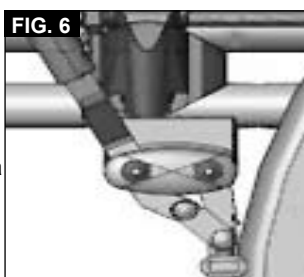
⚠ VIKTIGT!

Sunrise Medical rekommenderar starkt bruk av trampör på modeller med transporthjul och även på alla modeller där stolen i huvudsak körs av ledsagare, eftersom skada på ryggstödsrören kan inträffa om du drar tillbaka dem för att tippa tillbaka rullstolen, för att klara hinder.

Inställningar/funktioner - Bromsar

BROMSAR

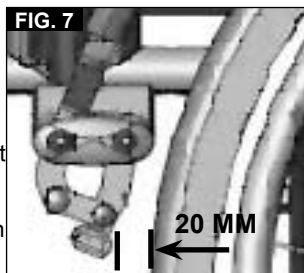
Rullstolen är utrustad med två bromsar. De verkar direkt på däck. Du låser bromsarna genom att skjuta fram bågge bromsspakarna till ändläget. Du lossar bromsarna igen genom att dra tillbaka spakarna till utgångsläget.



Bromskraften minskar om:

- däckarna är slitna
- däcktrycket är för lågt
- däckarna är våta
- bromsarna är feljusterade

Bromsarna är inte avsedda att användas för att bromsa en rullstol i rörelse. De får aldrig användas för att bromsa en rullstol i rörelse. Bromsa alltid med hjälp av drivringarna. Se till att mellanrummet mellan däck och broms överensstämmer med specifikationerna. Behöver det justeras lossar du på skruven och ställer in rätt mellanrum. Dra därefter åt skruven (Fig. 6-7).



⚠ VIKTIGT!

Efter varje drivhjuljustering ska bromsmellanrummet kontrolleras och justeras vid behov.

Montering av bromsen för nära hjulet medför att det blir tyngre att manövrera. I värsta fall kan bromsspaksförlängaren gå av. Om du stödjer dig på bromsspaksförlängaren under förflyttning kan spaken gå av! Vattenstänk från däckarna kan medföra att däckbromsen inte fungerar.

VÅRDARBROMSAR

Med vårdarbromsar kan en ledsagare bromsa rullstolen på ett säkert och bekvämt sätt. De kan även låsas med hjälp av en låsspak (1) för att förhindra rullning. Spaken måste snäppas fast på plats. Vårdarbromsar påverkas inte av lufttrycket inne i däckarna. Rullstolen kan inte flyttas när vårdarbromsarna är inkopplade (Fig. 8).



⚠ VIKTIGT!

Vårdarbromsar får bara justeras av en auktoriserad återförsäljare.

Inställningar/funktioner – Fotplattor

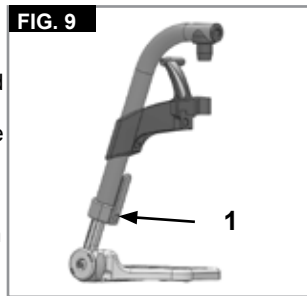
FOTPLATTOR:

Fotplattorna kan fällas upp för att göra det enklare att förflytta sig till/ från stolen.

Sänka ner vid långa underben:

Om du har långa underben kan fotstödet sänkas till lämplig nivå med hjälp av skruvarna (1). Lossa på skruvarna, tryck rören till önskat läge och dra åt skruvarna igen (se avsnittet om åtdragningsmoment).

Det måste alltid finnas ett mellanrum på 2,5 cm mellan fotplattorna och marken (Fig. 9).



Vinkeljusterbar fotplatta

Den kan justeras så att vinkeln mot marken ändras. Lossa på skruven, dra den inåt, ställ in önskad vinkel och tryck på den. Dra åt skruven igen efter justeringen.

Se till att, efter alla typer av justeringar, samtliga skruvar dras åt på rätt sätt (se avsnittet om åtdragningsmoment).

Se till att minsta avstånd till marken (2,5 cm) upprätthålls (Fig. 10).



⚠ VIKTIGT!

- Använd inte benstöden för att lyfta eller bära rullstolen.
- Använd inte fotplattorna när du stiger i eller ur rullstolen. Dessa bör fällas upp på förhand eller så ska benstödet svängas utåt så långt som möjligt.

INSTÄLLNINGAR/FUNKTIONER HÖJA BENSTÖD

(Fig. 11-13)

För att ta bort, dra i spaken (1), sväng fotplattan utåt och lyft sedan benstödet utåt.

HÖJDJUSTERING:

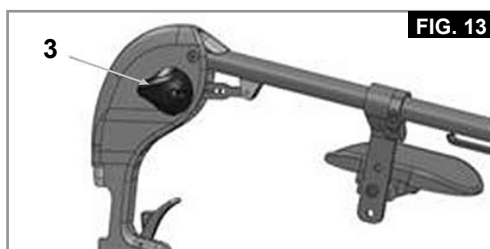
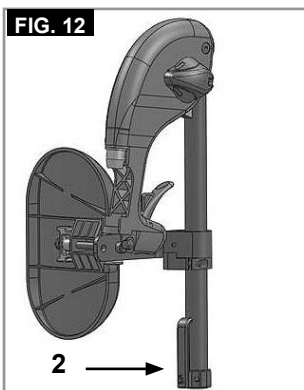
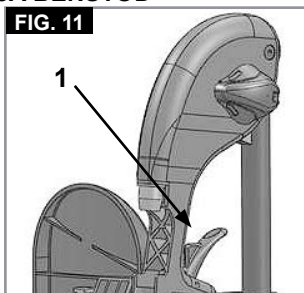
Underbenets längd kan justeras enligt behov genom att lossa skruven (2). Justera lämplig längd och dra åt skruven igen.

⚠ VIKTIGT!

Avståndet mellan fotplattan och marken ska vara minst 40 mm.

VINKELINSTÄLLNING

Tryck spaken (3) nedåt med ena handen medan du stödjer benstödet med den andra handen för att minska belastningen. När lämplig vinkel uppnåtts, släpp spaken så låses benstödet i ett av de förinställda lägena.



JUSTERING AV VADPLATTA

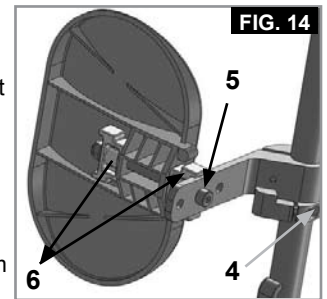
(Fig. 14).

Vadplattan kan justeras enligt följande:

Höjd: Öppna bult (4) och flytta fästet till önskad position. Genom att rotera fästet kan även vinkeln justeras.

Djup: Öppna bult (5) och flytta vadplattan till önskad position.

Bredd: öppna bult (5) och positionera distanshållare (6) bakom plattan, till önskad position.



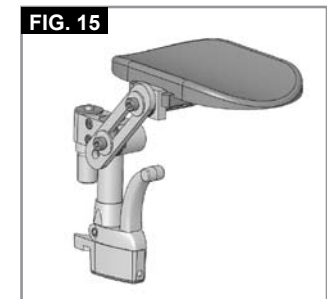
⚠ VARNING!

- Håll händerna borta från den justerbara mekanismen mellan ramen och de rörliga delarna av bensödet, medan du höjer eller sänker benstödet.
- Se alltid till att fästena är säkrade.
- Benstöden får inte användas för att lyfta eller bära rullstolen.
- Risk för att du fastnar med fingrarna! Håll inte händerna nära justeringsmekanismen mellan ram och fotstödet rörliga delar medan du justerar fotstödet.

STÖD FÖR AMPUTERADE

(Fig. 15).

Amputationsstödet kan efter behov ställas in i alla riktningar.



Inställningar/funktioner - Länkhjul

LÄNKHJUL, LÄNKHJULSPLOTTOR, GAFFLAR

Rullstolen kan börja "dra" något åt höger eller vänster, eller länkhjulen börja wobbla. Här följer några möjliga orsaker:

- Felaktig hjulinställning för framåt- och/eller bakåtkörning.
- Felaktig inställning av länkhjuls vinkeln.
- Felaktigt länkhjul och/eller felaktigt lufttryck i drivhjul; hjulen rullar inte lätt.

Rullstolen rör sig inte rakt fram om länkhjulen inte blivit rätt justerade. Länkhjulen ska alltid ställas in av en auktoriserad återförsäljare. Bromsen ska kontrolleras varje gång som drivhjulets läge har ändrats.

Inställningar/funktioner – Länkhjulsadapter

Sitsens höjd bestäms genom länkhjulet och drivhjulets position.

Sitsens höjd kan justeras genom att ändra läget för drivhjulen och länkhjulen genom att använda distans.



⚠ VIKTIGT!

Efter justering av sitsens höjd, ska alla skruvarna dras åt igen och bromsen justeras igen.

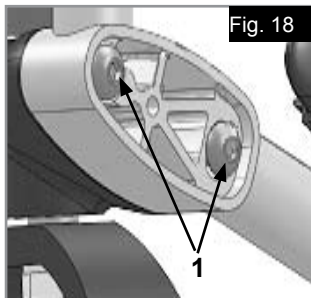
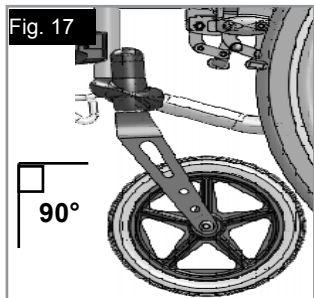
Inställningar/funktioner – Länkhjulsadapter >>

OBS:

Du kan ändra på länkhjulsaxelns vinkel genom att ändra på länkhjulets/drivhjulets läge. Detta ska alltid vara ca 90°.

JUSTERA LÄNKHJULSAXELNS VINKEL SÅ HÄR:

Lossa på skruvarna (1), dra länkhjulsadaptern utåt, ställ in 90° vinkel och dra därefter åt skruvarna igen (Fig. 17-18).



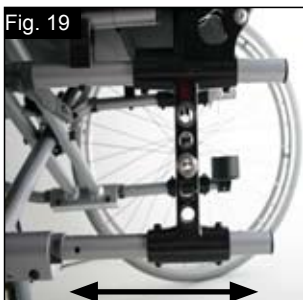
⚠ VIKTIGT!

Länkhjulsaxelns vinkel måste ställas in på samma värde på båda sidorna (kontrollera genom märkning).

HORISONTELLT AXELLÄGE

Axelplattan kan justeras framåt för större manövrerbarhet eller bakåt för större stabilitet (Fig. 19).

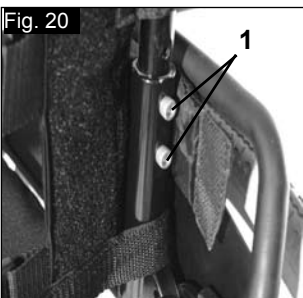
Ju större hjulbas desto mindre risk att din rullstol tippar över



Inställningar/funktioner - Ryggstöd

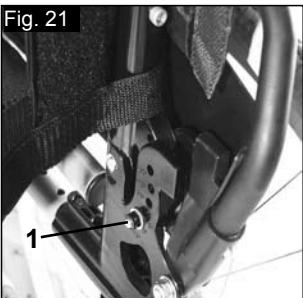
HÖJDJUSTERBART RYGGSTÖD

Höjden på ryggstödet kan ställas in i 2 eller 3 olika lägen (beroende på modell) (41 cm, 43,5 cm och 46 cm). Skruva loss och avlägsna bultarna (1)+(2), och tryck ryggstödsrören till önskat läge. Dra åt bultarna igen (Fig. 20).



JUSTERBAR RYGGSTÖDSVINKEL

Ryggstödsvinkeln kan ställas in på sex olika lägen (-5° framåt, 0°, 5°, 10°, 15° och 20° bakåt). Justera vinkeln genom att ta bort skruven (1), ställ in den önskade vinkeln och dra därefter åt skruven (Fig. 21).



JUSTERBAR RYGGSTÖDSVINKEL (7° - 30°)

Genom att dra i båda spakarna (1), kan du frigöra ryggstödet och sedan gå till önskat läge.

När du frigör båda spakarna (1) kommer ryggstödet att automatiskt låsas i rätt läge (Fig. 22).



⚠ VIKTIGT!

- Det rekommenderas att det vinkeljusterbara ryggstödet används i samband med förlängningen av hjulbasen.
- Det rekommenderas att det vinkeljusterbara ryggstödet används i samband med tipskydd (max. frihöjd 3 - 5 cm).
- Vi rekommenderar att det vinkeljusterbara ryggstödet används i samband med ett stabiliseringsstag.

FÄLLBART RYGGSTÖD

Fälla ut ryggstödet:
För att återställa ryggstödet till sitt ursprungsläge, dra handtagen uppåt och framåt tills de låser sig.



⚠ VARNING!

Håll fingrarna och andra objekt borta från fällmekanismen när ryggstödet fälls ihop för att undvika skada.

Fälla ihop ryggstödet:

Ryggstödet kan fällas ihop för att göra det enklare att förvara rullstolen.

⚠ VIKTIGT!

Arbeta inte under belastning eftersom detta kan ge upphov till sprickor i spaken.

För att fälla ryggstödet, stå bakom rullstolen, tryck på de två små spakarna (Fig. 23 - 24) positionerade på vardera sida om ryggstödet (just ovanför armstöden). Fäll ryggstödet.

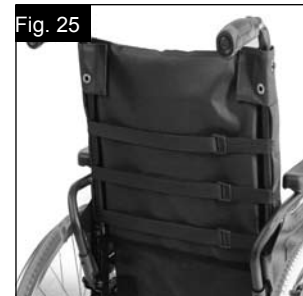


JUSTERBART RYGGSTÖD

Spänningen i det justerbara ryggstödet kan ställas in med hjälp av flera band (Fig. 25).

⚠ VIKTIGT!

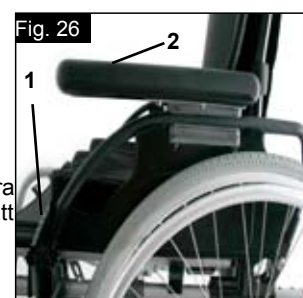
Dra inte åt spännbandet för hårt eftersom det kan störa stolens ihopfällningsmekanism.



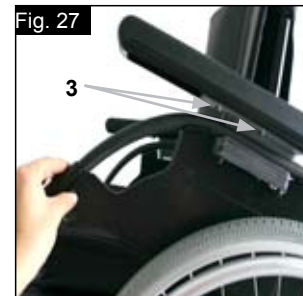
Inställningar/funktioner - Sidoskydd

STANDARD SIDOSKYDD, UPPFÄLLBART, LÖSTAGBART MED KORTA ELLER LÅNGA ARMSTÖD

Sidoskyddet med avrundade framkanter gör att du kan komma nära ett bord. Fäll upp armstödet genom att trycka på spaken (1) så att sidoskyddet frigörs (Fig. 26 + 27).



Armstödet höjd (2) kan justeras genom att distans sätts i olika lägen. För att lossa skruvarna, flytta distansen och dra åt skruvarna igen. Armstödet längd kan justeras genom att lossa skruvarna (3), sedan flytta armstödet till önskat läge och dra åt skruvarna igen (Fig. 27).



Inställningar/funktioner - Sidoskydd >>>

⚠ VIKTIGT!

Varken sidoskydden eller armstöden är lämpliga att ta tag i för att lyfta eller bära rullstolen.

⚠ VIKTIGT!

Akta fingrarna när du justerar armstödet höjd.

SIDOSKYDD, FÄLLBART, AVTAGBART MED KORTA ELLER LÅNGA ARMSTÖD, HÖJDJUSTERBARA

Armstödet kan höjjusteras så här
Tryck spaken nedåt och flytta armstödet till önskad höjd.

Frigör spaken och tryck armstödet nedåt tills du hör det klicka fast på plats. Kontrollera alltid att sidoskydden är rätt placerade.

Fäll upp armstödet genom att trycka på spaken (1) så att sidoskyddet frigörs.



Du kan justera längden på armstödet genom att lossa på skruvarna (2), skjuta armstödet till önskat läge och därefter dra åt skruvarna igen (Fig. 28).

⚠ VIKTIGT!

Varken sidoskydden eller armstöden är lämpliga att ta tag i för att lyfta eller bära rullstolen.

⚠ VIKTIGT!

Om drivhjulet är 24" måste armstödet flyttas upp en nivå.

HÖJDJUSTERBARA ARMSTÖD PÅ ARMSTÖDSSTOLPE

För att justera höjden, dra i spaken (1) och flytta armstöden till önskat läge. Se till att spaken (1) låses tillbaka i läge när det är klart. Ta bort armstödet på samma sätt.



Ta bort sidoskyddet helt genom att trycka på spaken (2). När sidoskyddet sätts dit måste du även dra i spaken (2). Kontrollera alltid att sidoskyddet spärrats i rätt läge i hållaren. (Fig. 29).

Inställningar/funktioner – Tippskydd

TIPPSKYDD

Ett tippskydd ger ökad säkerhet för en ovan användare som håller på att lära sig köra rullstolen.

Tippskyddet förhindrar att rullstolen välter bakåt. Toppskyddet bör föras in till ramröret tills den första av de två fjädrarnas knoppar förs in i det första hålet i ramröret, (Fig. 30).

⚠ VARNING!

Felaktig inställning av tippskydd ökar risken för tippning bakåt. Du måste fälla tippskydden uppåt när du passerar uppför eller nedför större hinder, (som en trottoarkant), för att förhindra dem från röra marken, sväng dem sedan bakåt till normalt läge.



OBS: För inte in de båda knopparna i tippskyddet i ramröret eftersom detta kan skada tippskyddet och minska effektiviteten. Genom att trycka på den andra exponerade frigöringsknappen, kan säkerhetshjulen fällas uppåt eller avlägsnas. Det måste alltid finnas ett mellanrum på 3 till 5 cm mellan röret och marken. Du måste svänga säkerhetshjulen uppåt när du rör dig upp- eller nedför större hinder (som trottoarkanter) så att de inte tar i marken. Sväng därefter säkerhetshjulen tillbaka till normalt läget (Fig. 30).

⚠ VARNING!

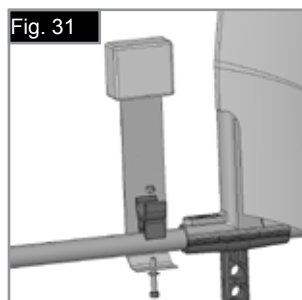
Felaktig inställning av tippskydd ökar risken för tippning bakåt.

Inställningar/funktioner – Midjebälte

⚠ VARNING!

Om rullstolen är utrustad med positioneringsbälte se till att du använder det och att det är rätt justerat.

Positioneringsbältet ska sitta monterat på rullstolen så som visas på bilderna. Det består av två halvor. Bältet sitter fast med hjälp av sitsstödens befintliga fästskruv, som går genom öglan på bältet. Bältet löper under den bakre delen av sidopanelen. (Fig. 31) Justera bältet så att spännena befinner sig i mitten av sitsen. (Fig. 32)



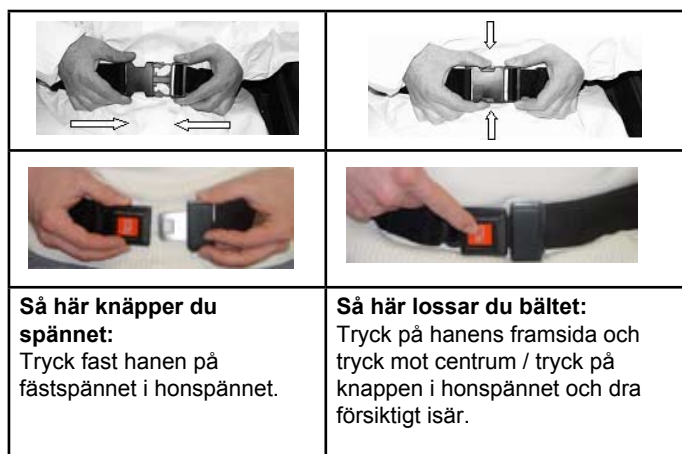
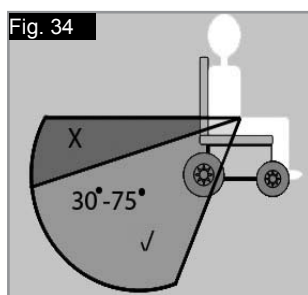
Justera midjebältet enligt följande för att passa användarens behov:

För att öka bälteslängden	För att minska bälteslängden	✓
<p>Typ A</p>	<p>Typ A</p>	<p>Typ A</p>
<p>Typ B</p>	<p>Typ B</p>	<p>Typ B</p>
Du förlänger bältet genom att mata ut mer bälte genom glidspännena och genom hanen på fästspännet.	Mata tillbaka bältet genom hanen på fästspännet samt glidspännena.	Se till att bältet inte är snott vid hanen på fästspännet.

Inställningar/funktioner – Midjebälte >>>

Då positioneringsbältet satts fast ska du kontrollera avståndet mellan bältet och användaren; när bältet är korrekt justerat ska du nått och jämnt få plats med ena handflatan. (Fig. 33)

Normalt ska positioneringsbältet sitta så att remmarnas utgångsvinkel är nära 45°, och rätt justerat ska det hindra användaren från att glida nedåt i sitsen. (Fig. 34)



BRUKARRÅD

⚠ FARA!

- Enbart positioneringsbältet ger inte tillräckligt med skydd då rullstolen transporteras i ett fordon med användaren sittande i. Under färd ska även fordonets eget trepunktsbälte användas.
- Före användning rekommenderar vi att tillse att positioneringsbältet är korrekt justerat och ej uppvisar onormalt slitage, samt att spännet går i lås ordentligt.
- Att inte kontrollera eventuellt slitage samt korrekt justering före användning kan leda till att användaren blir allvarligt skadad. till exempel kan ett för löst åtdraget bälte innebära att användaren glider nedåt i stolen och riskerar att kvävas.

UNDERHÅLL:

Kontrollera regelbundet om midjebälte eller fästdelar uppvisar tecken på slitage eller skador. Byt ut eventuella slitna delar. Rengör positioneringsbältet med varmt vatten och diskmedel, och låt torka.

⚠ FARA!

Justera midjebältet så att det passar slutanvändaren enligt uppgifterna ovan. Sunrise Medical rekommenderar också att längden och passformen för bältet kontrolleras regelbundet för att minska risken för slutanvändaren att oavsiktligt återjustera bältet till en för stor längd.

Är du osäker på hur du ska använda bältet på rätt sätt kan du gärna rådfråga din arbetsterapeut, rullstolsleverantör, vårdare eller ledsagare.

Inställningar/funktioner - Sits

SITSKLÄDSEL AV STANDARDMODELL

Sitsklädseln är försedd med kardborreband på ena sidan för steglös justering av spänningen. Justera sitsklädseln genom att fälla ihop stolen. Dra sedan de främre täckpropparna framåt ut ur ramen. Sitsklädseln kan nu dras ut från ramen. Lossa på kardborrebandet och justera spänningen. Utför proceduren i omvänd ordning för att sätta tillbaka sitsklädseln (Fig. 39)



⚠ VIKTIGT!

- **Minst 50% av kardborrebandsytona måste vara i kontakt med varandra hela tiden.**
- **Spänningen i sitsklädseln får inte vara för hård eftersom det kan störa stolens ihopfällningsmekanism. Sitsdjup**

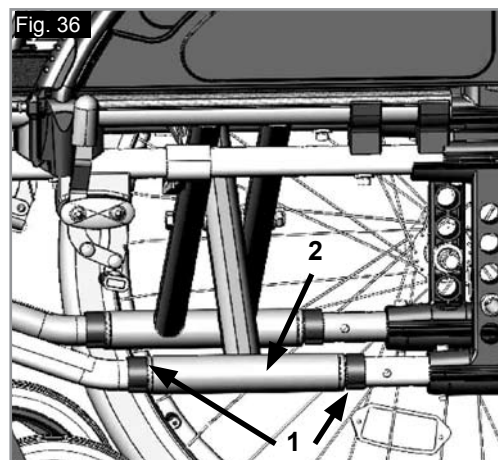
Inställningar/funktioner – Sitsdjup

SITSDJUP

Genom att ta bort clipsen (1), kan tvärstagsenheten (2) skjutas utefter ramen vilket ändrar sitsdjupet (beroende på ryggstödsrörens position).

Se till att clipsen (1) snäpper fast i ramhålen.

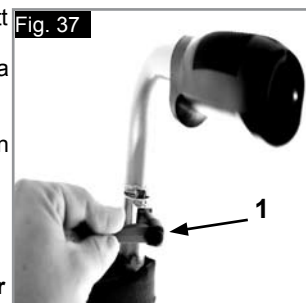
För att ramen ska vara så kompakt som möjligt, kan även sitsdjupet justeras med hjälp av ryggstödsrören (41-46 cm i steg om 2,5 cm). Gör detta genom att ta bort skruvarna (1 och 2) på hållaren till ryggstödsrören. Ta bort hjulen och armstöden och kontrollera att tvärstaget är i önskat läge (skjut tvärstaget som beskrivits ovan). Flytta ryggstödsrören till önskad position och dra åt alla skruvar igen. Flytta armstödhållaren till önskat läge (Fig. 36).



Inställningar/funktioner – Körhandtag

HÖJDJUSTERBARA KÖRHANDTAG

Körhandtagen är låsta med stift för att de inte ska glida ur. Genom att lossa på frigöringsspaken (1) kan du justera körhandtagen till lämplig höjd. Dra tillbaka frigöringsspaken i åtdraget läge (1) efter varje justering av höjden av körhandtagen (Fig. 37).



⚠ VIKTIGT!

Om spaken inte är säkrad kan det uppstå skador när stolen lyfts över hinder.

Inställningar/funktioner - Kryckhållare

KRYCKHÅLLARE

Detta tillbehör är avsett för transport av kryckor på rullstolen. Hållaren har ett kardborrespänne där kryckor eller andra hjälpmedel kan sättas fast (Fig. 38).

 **VARNING!**

Försök aldrig att använda eller ens lyfta ur kryckor eller andra föremål då rullstolen är i rörelse.



Inställningar/funktioner - Terapibord

TERAPIBORD

Bordet har en flat yta för de flesta aktiviteter. Innan bricken används måste den anpassas till sitsbredden av en auktoriserad återförsäljare. Användaren måste sitta i rullstolen under denna justering (Fig. 39).



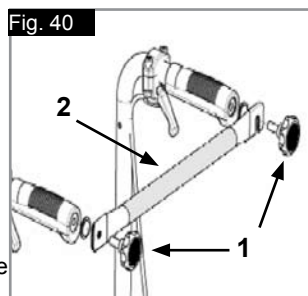
Inställningar/funktioner - Stabiliseringsstag

STABILISERINGSSTAG

Öppna den stjärnformade knoppen (1) och vrid stabiliseringsstaget (2) utåt innan du fäller ihop stolen. För att fälla ut rullstolen igen, reversera ovanstående procedur.

 **FARA!**

- Innan du använder rullstolen se till att stabiliseringsstaget och de stjärnformade knapparna är på plats och dras åt ordentligt.
- Använd aldrig stabiliseringsstaget för att lyfta stolen!



Inställningar/funktioner - Transithjul

TRANSITHJUL

Transithjul används då rullstolen med de vanliga drivhjulen är för bred (som t.ex. i flygplan och på bussar etc.). Efter det att drivhjulen tagits bort med hjälp av snabbkopplingsaxlarna kan **transithjulen** omedelbart användas för fortsatt färd. **Transithjulen** är monterade så att de ligger ca. tre centimeter ovanför marken då de inte används. De är då inte i vägen vid körning, transport eller tippning eller för att passera över hinder (som t.ex. trottoarkanter, trappsteg etc.) (Fig. 41).

 **FARA!**

Rullstolen har inga däckbromsar när transithjulen används.

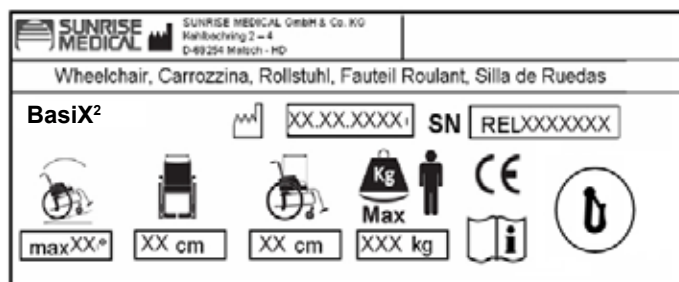


Märkskylt

Märkskylt

Märkskylten sitter antingen på ett av sitsrören eller på ett tvärgående ramrör. Uppgifterna på den finns även på en etikett i bruksanvisningen. På märkskylten anges den exakta modellbeteckningen samt andra tekniska specifikationer. Om du behöver kontakta oss för att beställa reservdelar, eller i ett garantiärende, behöver vi följande uppgifter:

PROV



BasiX²
XXXXX-XXX

Produktnamn/SKU-nummer.



Maximalt säkerhetsbäck med tipskydd monterade beror på rullstolens inställning, kroppställning och fysiska kapacitet hos användaren.



Sitsbredd



Djup (maximum).



Maxlast



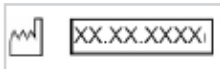
CE-märkning



Bruksanvisning.



Krocktestad



Tillverkningsdatum.



Serienummer

Beroende på vår policy med kontinuerliga förbättringar inom design av våra rullstolar, kan produktspecifikationerna variera något från de illustrerade exemplen. Alla vikter/dimensioner och prestandadata är ungefärliga och är endast riktgivande.

Sunrise Medical följer EU:s medicinska direktiv 93/42/EEC



Alla rullstolar ska användas i enlighet med tillverkarens riktlinjer.

Sunrise Medical GmbH & Co.KG
Kahlbachring 2-4
69254 Malsch/Heidelberg
Tyskland
Tel.: +49 (0) 7253/980-0
Tel.: +49 (0) 7253/980-111
www.sunrisemedical.com

Däck och montering

DÄCK OCH MONTERING

Massiva däck är standard. Med luftdäck kan du vara säker på att du kan upprätthålla ett korrekt däcktryck, eftersom detta kan påverka rullstolens prestanda. Om däcktrycket är för lågt ökar rullmotståndet och det krävs mer kraft för att driva fram rullstolen. Lågt däcktryck påverkar även manöverförmågan negativt. Om trycket däremot är för högt kan däcket spricka. Det optimala däcktrycket står angivet utanpå själva däcket (min. 3.5 bar).

Däck kan monteras på samma sätt som för vanliga cykeldäck. Innan du sätter på en ny innerslang ska du kontrollera att fälgkanten och däckets insida är fria från främmande föremål. Kontrollera trycket sedan du satt på eller reparerat ett däck. Det är av största vikt för din säkerhet och stolens körförmåga att däcktrycket är korrekt samt att däcken är i gott skick.

Underhåll och skötsel

SÄKERHETSKONTROLL:

Eftersom användaren kommer att vara den första person som ser några eventuella felaktigheter. Rekommenderar vi därför att du före sådan användning, kontrollerar följande:

att däcktrycket är korrekt.
att bromsarna fungerar korrekt.
att alla löstagbara delar är säkert fastsatta (t.ex. armstöd, fotstödshängare, snabbkopplingsaxlar ...).
Om det finns någon skada/defekt, var god kontakta din hjälpmedelscentral.

UNDERHÅLL:

Kontrollera däcktryck med regelbundna mellanrum.
Kontrollera däcken för slitage och skador med regelbundna mellanrum, minst en gång om året. Byt däcken så snart det uppstår något tecken på skada.
Kontrollera sits och hängmattorygg för slitage och skada med regelbundna mellanrum, minst en gång om året. Byt ut delar som visar tecken på skada eller slitage.
Kontrollera alla ram- och ryggstödskomponenter för slitage och skada med regelbundna mellanrum, minst en gång om året. Byt ut delar som visar tecken på skada eller slitage.
Kontrollera bromsarna för slitage och skador med regelbundna mellanrum, minst en gång om året. Kontrollera att de fungerar korrekt och är enkla att använda. Byt ut bromsarna så snart det uppstår något tecken på skada eller slitage.
Kontrollera att alla bultar är säkrade (se avsnitt om vridmoment) med regelbundna intervaller, minst en gång om året. All skruvar som är viktiga för en säker användning av rullstolen har säkerhetsmuttrar. Säkerhetsmuttrar ska bara användas en gång. De ska ersättas med nya då de en gång skruvats loss.

OBS: Om vridmomentets inställningar är givna, rekommenderar vi starkt att du använder en mätanordning för vridmoment, för att kontrollera att du har dragit åt till korrekt vridmoment.
Använd enbart mildt hushållsrengöringsmedel att rengöra rullstolen med. Använd endast tvål och vatten när du rengör sitsens klädsel och positioneringsbälte.
Beroende på användning, rekommenderar vi att du regelbundet tar rullstolen till din hjälpmedelscentral, men åtminstone inom ett år, för att underhålla den av utbildad personal.



Sand, salt och havsvatten kan skada lagren i länkhjulen och bakhjulen. Rengör och torka rullstolen noggrant, efter exponering för dessa element.

HYGIEN VID ÅTERANVÄNDNING:

När stolen ska återanvändas, skall den färdigställas noggrant och torkas och behandlas med spraydesinficering på alla ytor som kan komma i kontakt med användaren.

Om du behöver göra detta snabbt, ska du använda ett flytande, alkoholbaserat desinfektionsmedel som är lämpligt för medicinska produkter och anordningar.
Följ tillverkarens anvisningar för det desinfektionsmedel du använder.

Felsökning

Rullstolen drar åt något håll

- Kontrollera däcktrycket
- Kontrollera att hjulen snurrar obehindrat (lager, axlar)
- Kontrollera länkhjulsvinkeln
- Kontrollera att bägge länkhjulen har ordentlig markkontakt

Länkhjulen börjar wobbla/fladdra

- Kontrollera länkhjulsvinkeln
- Se till att alla skruvar är åtdragna, dra åt vid behov (se avsnittet om åtdragningsmoment)
- Kontrollera att bägge länkhjulen har ordentlig markkontakt

Rullstolen gnisslar och skramlar

- Se till att alla skruvar är åtdragna, dra åt vid behov (se avsnittet om åtdragningsmoment)
- Applicera sparsamt med smörjmedel på de ställen där rörliga delar kommer i kontakt med varandra

Rullstolen börjar wobbla/fladdra

- Kontrollera länkhjulsvinklarna
- Kontrollera däcktrycket
- Se till att bägge drivhjulen har samma inställning

Avfallshantering/återvinning av material

OBS: Om du fått disponera rullstolen utan kostnad så kanske den inte tillhör dig. Även om det inte längre krävs, följ alla instruktioner som ges av organisationen som levererar rullstolen för returnera till dem.

Följande information beskriver materialen som används i rullstolen i relation till avfallshantering eller återvinning av rullstolen och dess förpackning.

Lokala specifika avfallshanterings- eller återvinningsbestämmelser kan vara i kraft och dessa bör övervägas vid avfallshantering. (Detta kan inkludera rengöring eller borttagning av föroreningar från rullstolen innan avfallshantering).

Aluminium: Hjulgaffel, hjul, sidoramar, armstöd, ram, benstöd, körhandtag

Stål: Fästen, QR-axel

Plast: Handtag, rörpluggar, länkhjul, fotplattor, armskydd och 12" hjul/däck

Förpackningsmaterial: Låg densitetpolytenväska, kartong

Klädsel: Vävt polyester med PVC coatings och expanderat förbränningsmodifierat skum.

Avfallshantering eller återvinning bör göras genom en licensierad agent eller auktoriserad plats för avfallshantering. Alternativt kan din rullstol returneras till din återförsäljare för avfallshantering.



Tekniska specifikationer

Totalbredd:

Med standardhjul inklusive drivringar, nära montering:

SB +19 cm

Med vårdarbromshjul inklusive drivringar, nära montering:

SB +21 cm

Dimensioner, ihopfäld:

Med standarddäck = 30 cm

Utan standarddäck = 24 cm

MAXLAST: 125 KG

SE OCKSÅ SIDA 5

Maxlast:

Upp till 125 kg

Vikt i kg:

Transport (utan fotstöd, hjul, sidoskydd) 8,4 kg

Fotstöd (enhet): 0,8 kg

Standard sidoskydd (enhet): 0,8 kg

24" drivhjul (massiva) (par): 3,8 kg

I enlighet med EN12183: 2009 alla där angivna delar (säte - ryggklädsel, armstöd, sidopanel...) är brandsäkert enligt EN1021-2.

Stabiliteten vid körning i lutning beror på stolskonfigurationen samt användarens färdigheter och körsätt. Eftersom användarens färdigheter och körsätt inte kan förutses, kan någon maximal säker lutning inte fastställas. Denna måste därför fastställas av användaren, som därvid tar hjälp av ledsagare för att inte tippa. Vi rekommenderar starkt att oerfarna användare har tipskydd monterade på stolen.

Rullstolen uppfyller följande standarder:

a) Krav och testmetoder för statisk hållfasthet samt kollisions- och utmattningshållfasthet (ISO 7176-8)

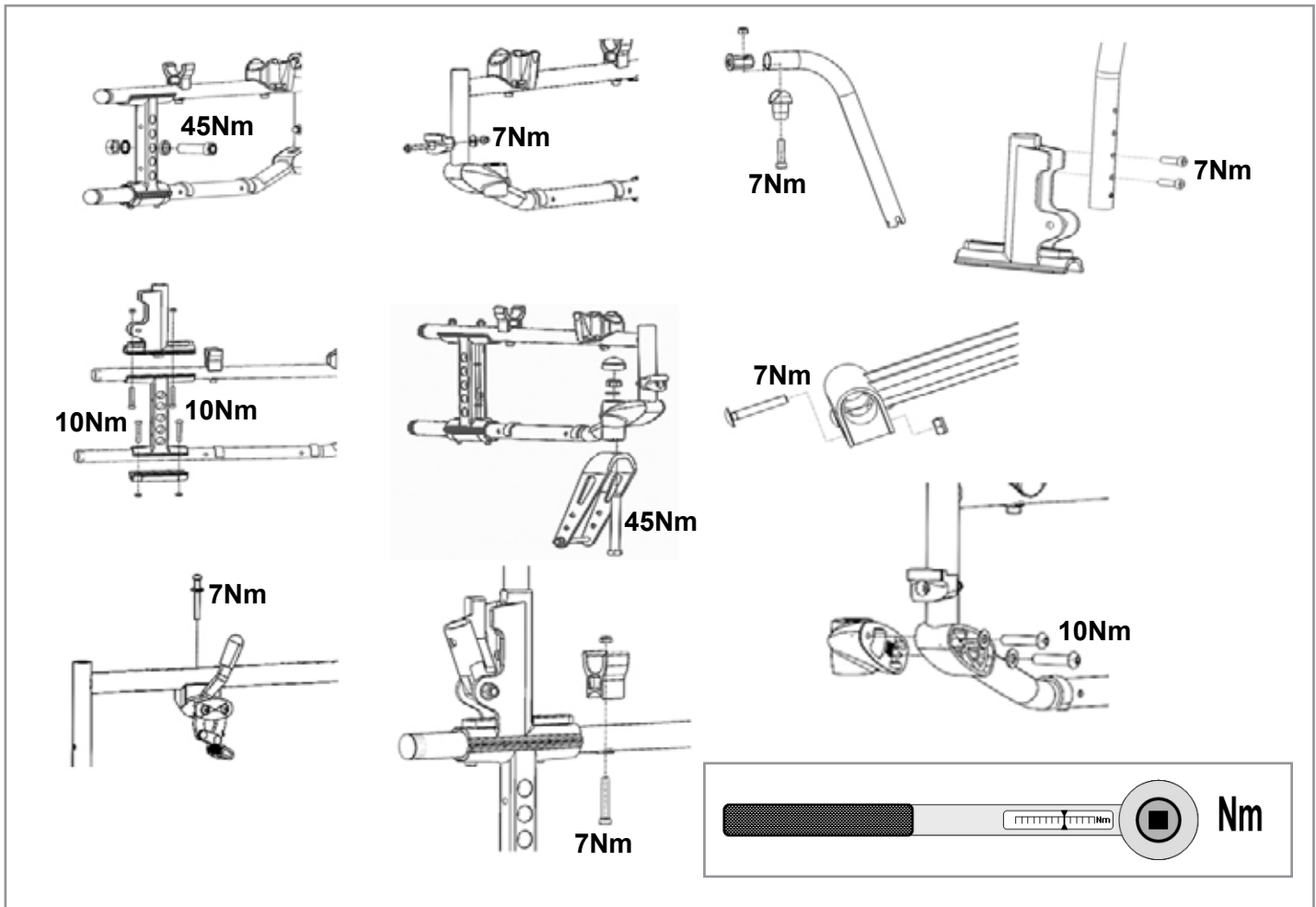
b) Antändlighetskrav enligt ISO 7176-16 (EN 1021-1)

Sitsens höjdjustering

425 mm	8"	1A	
450 mm	8"	2A	1B
480 mm	8"	3A	2B
505 mm	8"		3B
425 mm	6"	2A	1B
450 mm	6"	3A	2B
480 mm	6"		3B

400 mm	24"		1
425 mm	24"		2
450 mm	24"	12"	3
475 mm	24"		4
500 mm	24"		5

Vridmoment



OM ANNAT EJ ANGES ÄR VRIDMOMENTET
FÖR M6-SKRUVAR 7 NM.

Forord

Kjære kunde,

Takk for at du valgte et kvalitetsprodukt fra SUNRISE MEDICAL.

Denne brukerveiledningen vil gi deg en rekke råd og tips, slik at den nye rullestolen kan bli en trygg og pålitelig del av hverdagen din.

Vi vil at du skal være tilfreds med våre produkter og tjenester. Sunrise Medical har arbeidet kontinuerlig med å utvikle sine produkter. Av denne grunn kan det forekomme endringer i vårt produktutvalg når det gjelder design, teknologi og utstyr. Følgelig kan det ikke fremlegges krav på bakgrunn av informasjonen eller bildene i denne brukerveiledningen.

SUNRISE MEDICALs styresystem er sertifisert etter ISO 9001, ISO 13485 og ISO 14001.



Som produsent erklærer SUNRISE MEDICAL at rullestolene er i samsvar med 93/42/EEC, endret av retningslinjen 2007/47/EC.

I tillegg overholder de kravene for kollisjonstest i henhold til ISO 7176-19

Vennligst ta kontakt med din lokale Hjelpemiddelsentral eller SUNRISE MEDICAL-representant dersom du har spørsmål om bruk, vedlikehold eller sikkerhet av rullestolen.

Du kan også kontakte Sunrise Medical med eventuelle spørsmål du har enten ved å skrive eller ringe til oss (du finner adressene våre på siste side i denne veiledningen).

Sunrise Medical AS
Dynamitveien 14 b
1400 Ski
Norge
Tel.: +47 66 96 38 00
www.sunrisemedical.no

Vennligst skriv inn adressen og telefonnummeret til din lokale hjelpemiddelsentral i rubrikken nedenfor. Kontakt dem ved eventuelle uhell og informer om hva som har skjedd, slik at du raskt kan få nødvendig hjelp.



VIKTIG:
IKKE BRUK DENNE RULLESTOLEN FØR DU HAR
LEST IGJENNOM OG FORSTÅTT HELE
BRUKERVEILEDNINGEN.

Symbolforklaring



FARE!

Advarsler som gjelder eventuelle farer for alvorlige ulykker.



ADVARSEL!

Advarsler som gjelder eventuelle farer for personskade.



ADVARSEL!

Advarsler som gjelder eventuelle tekniske produktskader.

MERK:

Informasjon om bruk av produktet.

Innholdsfortegnelse

Wheelchair Components	3
Forord	146
Symbolforklaring	146
Innholdsfortegnelse	146
Bruk	146
Bruksområde	146
Generelle sikkerhetsopplysninger og bruksrestriksjoner	147
Garanti	148
Transport	149
Håndtering	151
Utstyr - Vipperør	151
Utstyr - Bremseser	151
Utstyr - Fotplater	152
Utstyr - Svinghjul	152
Utstyr - Svinghjulsadapter	152
Utstyr - Rygg	153
Utstyr - Klesbeskytter	153
Utstyr - Tippetikringer	154
Utstyr - Hoftebelte	154
Utstyr - Sete	155
Utstyr - Setedybde	155
Utstyr - Kjørehåndtak	155
Tilbehør - Krykkeholder	156
Tilbehør - Bord	156
Utstyr - Ryggavstiver	156
Tilleggsutstyr - Transporthjul	156
Merking	156
Hjul og montasje	157
Vedlikehold og stell	157
Feilsøking	157
Deponere /resirkulere materialer	157
Tekniske spesifikasjoner	158
Justering av setehøyde	158
Tiltrekkingsmoment	159

Bruk

Lette rullestoler er konstruert for brukere med begrenset mobilitet eller ingen personlig fremkommelighet. Rullestolen er beregnet for personlig bruk innendørs eller utendørs på et fast og relativt jevnt underlag (selvdrevet eller ved hjelp av en ledsager).

Den maksimale vektgrensen (inkludert bruker og eventuelt tilleggsutstyr som er montert på rullestolen) er oppgitt på etiketten med serienummeret, som er festet på krysstangen eller stabiliseringsstangen under setet.

Garantien vil kun gjelde dersom produktet er brukt under de spesifiserte forholdene og de tiltenkte bruksområdene. Rullestolen har en forventet levetid på ca. 5 år. Deler fra andre produsenter MÅ IKKE brukes eller monteres på rullestolen med mindre de er godkjent av Sunrise Medical.

Bruksområde

Det store utvalget av tilleggsutstyr samt rullestolens modulære design, gjør at stolen kan brukes av personer som har begrenset eller ingen personlig fremkommelighet pga.:

- Lammelse
- Amputasjon (beinamputasjon)
- Skade i lemmer/deformitet
- Leddsykdommer/leddskader
- Sykdom, slik som hjerte- og sirkulasjonsproblemer, balanseproblemer eller kakeksi, samt eldre personer som har styrke i overkroppen.

Ved vurdering må også vedkommendes kroppsstørrelse, vekt, fysiske og psykiske evner, alder, leveste og miljø tas med i betraktning.

Generelle sikkerhetsopplysninger og bruksrestriksjoner

Denne rullestolen er konstruert og produsert til å gi maksimal sikkerhet. Gjeldende internasjonale sikkerhetsstandarder har blitt fulgt eller overgått.

Brukeren skal uansett aldri utsette seg selv for fare ved å bruke rullestolen på feil måte. For din egen sikkerhet må du lese igjennom og overholde følgende retningslinjer.

Uprofesjonelle eller ukorrekte tilpasninger eller justeringer kan øke faren for ulykker. Som rullestolbruker er du også en del av trafikken på veier og fortauer, på lik linje med alle andre trafikkanter. Du regnes som gående selv om du kjører rullestol. Vi minner derfor om at du må følge alle trafikkreglene. Husk refleks i mørket! Vær forsiktig når du bruker rullestolen for første gang. Gjør deg kjent med den.

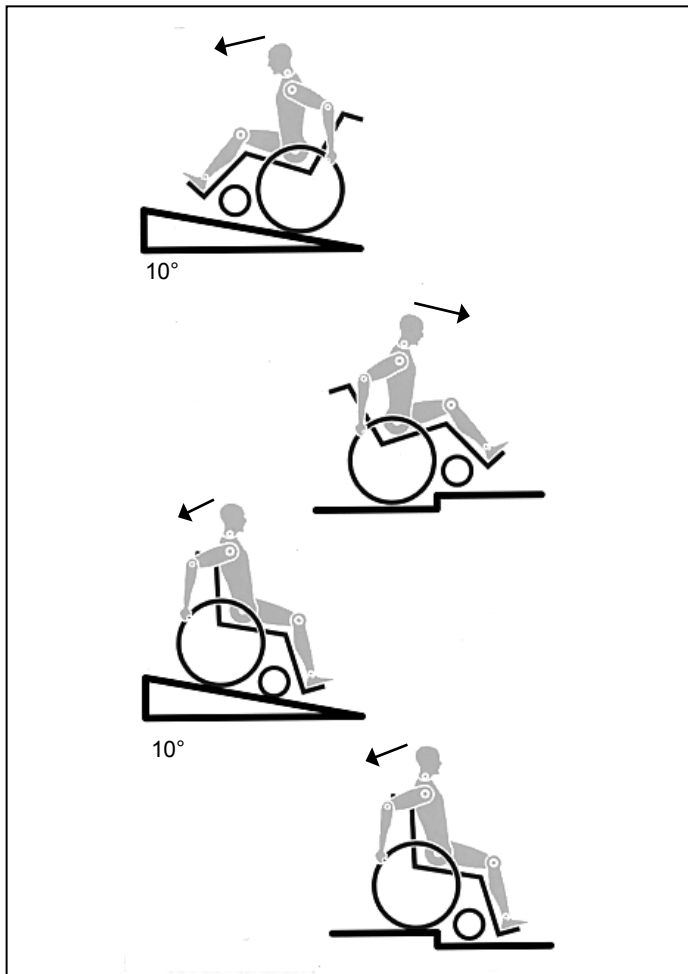
Før hver bruk av rullestolen, skal følgende kontrolleres:

- Drivhjulene er utstyrt med hurtigkoblinger.
- Borrelåser på sete og ryggstøtte
- Hjul, lufttrykk i dekk og bremses.

Det er viktig å lese det korresponderende avsnittet i denne brukerveiledningen før rullestolen justeres på noen som helst måte. Huller i veien eller ujevn grunn kan føre til at rullestolen velter, spesielt når den kjøres oppover eller nedover bakker. Du skal lene kroppen forover når du kjører forover over et trinn eller opp en helling.

⚠ FARE!

- Brukeren pluss gjenstander som medbringes må ALDRI overstige den maksimale vektgrensen på 125 kg. Hvis den maksimale vektgrensen overstiges kan stolen skades, velte eller tippe, eller du kan miste kontroll over den. Dette kan igjen kan føre til alvorlige personskader for deg og andre personer.
- Når du kjører i mørket bør du alltid ha på deg lyse klær og klær med refleksbånd, slik at du er lettere synlig. Pass også på at refleksene bak og på siden av rullestolen er lett synlige.
- Vi anbefaler også at du monterer et aktivt lys.



⚠ FARE!

- For å unngå å velte eller andre farlige situasjoner, må du først øve deg i å bruke rullestolen på flat og jevn grunn med god sikt.
- Ikke bruk fotplatene når du stiger inn eller ut av rullestolen.
- Fotplatene skal vippes opp og svinges helt ut til siden før du stiger inn eller ut av stolen. Plasser deg alltid nærmest mulig stedet du skal forflytte deg til.
- Bruk alltid rullestolen forsiktig. Du må f.eks. bremse når du kjører mot en hindring (et trinn, en fortauskant o.l.) samt unngå at rullestolen sklir av kanter/trinn.
- Bremsene skal ikke brukes til å stoppe rullestolen når den er i bevegelse. De er kun ment å forhindre at rullestolen plutselig ruller av gårde når du står stille. Når du står stille på ujevn grunn, skal bremsene alltid kobles inn for å forhindre at stolen plutselig flytter på seg. Bruk alltid begge bremsene, hvis ikke kan rullestolen velte.
- Prøv hvilken effekt endringen av tyngdepunktet vil ha på bruk av rullestolen, f. eks. i bakker, hellinger, skråninger eller når du kjører over hindringer i veien. Gjør kun dette med hjelp fra en ledsager.
- Hvis maksimale innstillinger brukes på stolen (f.eks. hvis bakhjulene er plassert lengst mulig forover) eller du har en redusert kroppsholding, kan rullestolen velte selv på flat mark.
- Len overkroppen lenger forover når du kjører oppover bakker eller opp på trinn/fortauskanter.
- Len overkroppen lenger bakover når du kjører nedover bakker eller ned fra trinn/fortauskanter. Forsøk aldri å kjøre på skrå oppover eller nedover bakker.
- Ikke bruk rulletrapper da disse kan føre til alvorlige personskader.
- Ikke bruk rullestolen i bakker/hellinger som overstiger 10°. En trygg, dynamisk bakke vil være avhengig av stolens innstillinger, brukerens evner samt måten rullestolen kjøres på. Fordi brukerens evner og kjøremåte ikke kan fastsettes på forhånd, kan vi ikke oppgi hva som utgjør en maksimalt trygg bakke. Brukeren må derfor fastsette dette selv med hjelp fra en ledsager for å forhindre at stolen velter. Vi anbefaler på det sterkeste at uerfarne rullestolbrukere benytter tippesikringer på stolen.
- Huller i veien eller ujevn grunn kan føre til at rullestolen velter, spesielt når den kjøres oppover eller nedover bakker.
- Ikke bruk rullestolen på gjørmete eller isdekte veidekker.
- Ikke bruk rullestolen på steder som ikke er tillatt for fotgjengere.
- For å unngå å skade hendene dine, må du ikke plassere dem mellom eikene eller mellom bakhjulet og bremsen når du bruker rullestolen.
- Hvis rullestolen er utstyrt med drivringer i lettmetall, kan fingrene dine bli varme når du bremser stolen i stor fart eller nedover lange bakker.
- Kjør kun rullestolen opp en trapp med hjelp av en ledsager. Det finnes også utstyr for å hjelpe deg å kjøre f.eks. over ramper og heiser, og vi anbefaler at du bruker slikt utstyr. Hvis slikt utstyr ikke er tilgjengelig, må rullestolen vippes og ruller (aldri bæres) over trinnene av to ledsagere. Vi anbefaler ikke at brukere som veier mer enn 100 kg forflyttes på denne måten. Påmonterte tippesikringer må justeres på forhånd slik at de ikke kommer i kontakt med trappetrinnene. Hvis ikke kan rullestolen velte. Tippesikringene må tilpasses på nytt når stolen er flyttet opp trappen.
- Pass på at ledsageren kun holder i fastmonterte deler på rullestolen. Ikke hold fast i avtakbare deler (f. eks. benstøtter eller klesbeskyttere).

FARE!

- Når en løfterampe brukes, pass på at de monterte tippesikringene er plassert utenfor faresonen.
- Koble inn bremsene når rullestolen står på ujevn grunn eller du forflytter deg fra stolen (f.eks inn i en bil).
- Under transport i spesialbygde kjøretøyer for funksjonshemmede personer, skal rullestolbrukeren sitte i kjøretøyets sete og bruke kjøretøyets sikkerhetsbelte, så langt det lar seg gjøre. Dette er den eneste måten som rullestolbrukeren vil være maksimalt beskyttet på ved en eventuell ulykke.
- Svinghjulene kan vakle ved høy hastighet, avhengig av svinghjulenes størrelse og innstilling samt rullestolens tyngdepunkt. Dette kan igjen gjøre at svinghjulene låses slik at rullestolen velter. Pass derfor på at svinghjulene er riktig justert (se avsnittet om "Svinghjul").
- Kjør aldri i en bakke uten bremses og reduser alltid hastigheten. Vi anbefaler at nybegynnere bruker tippesikringer.
- Tippesikringenes funksjon er å forhindre at rullestolen vipper bakover ved et uhell. Tippesikringene må på ingen måte brukes istedenfor transporthjul, eller brukes til å forflytte en bruker i stolen når bakhjulene er tatt av.
- Hvis du strekker deg etter gjenstander som er plassert foran, på siden eller bak rullestolen, må du ikke strekke deg for langt ut av stolen. Dette vil endre stolens tyngdepunkt og øke faren for at den vipper eller velter. Hvis du henger gjenstander (f.eks. en ryggsekk o.l.) på rullestolens ryggstolpe, kan dette påvirke stolens stabilitet bakover, spesielt dersom ryggstøtten er lent tilbake. Stolen kan da tippe bakover som kan forårsake personskade.
- Brukere med amputerte ben må bruke tippesikringer.
- Kontroller at det er riktig lufttrykk i dekkene før du bruker rullestolen. Lufttrykket i styrehjulene skal være minst 3,5 bar (350 kPa). Det maksimale lufttrykket er oppgitt på dekket. Bremsene vil kun virke dersom den er stilt inn på riktig måte og det er tilstrekkelig luft i dekkene (se avsnittet om "Bremses").
- Hvis sete- eller ryggtrekket er slitt eller skadd, må de skiftes ut umiddelbart.
- Vær forsiktig med ild, spesielt glødende sigaretter. Setet og ryggen kan ta fyr.
- Hvis rullestolen utsettes for direkte sollys / lave temperaturer i en lengre periode, kan deler på den (f. eks. ramme, benstøtter, bremses eller klebeskyttere) bli svært varme (>41 °C) / svært kalde (<0 °C).
- Hvis hurtigkoblinger er montert på drivhjulene, pass alltid på at de er riktig montert og forsvarlig låst (låselagrene er helt synlige i akselhylsen). Hvis knappen på hurtigkoblingen ikke er trykket inn, kan ikke hjulet tas av.

ADVARSEL!

- Bremsenes effekt samt rullestolens generelle kjøreegenskaper vil påvirkes av lufttrykket i dekkene. Rullestolen vil være langt enklere å styre når det er riktig og likt lufttrykk i begge drivhjulene.
- Pass på at dekkene har godt mønster!
- Husk at du må følge alle gjeldende trafikkregler når du kjører på offentlige veier.
- Vær alltid forsiktig når du håndterer eller justerer rullestolen!
- Justeringer som krever bruk av verktøy skal alltid utføres av en autorisert forhandler.
- Rengjør rullestolen regelmessig for å unngå rust og saltskader.
- Kontroller at nagler, mutre og bolter er strammet, og at ingen deler på rullestolen kan løsne.

ADVARSEL!

- Det er fare for å klemme fingrene i alle bevegelige deler. Vær forsiktig.

- Rullestolen som vises og beskrives i denne brukehåndboken kan variere noe fra din egen modell. Alle veiledninger er likevel relevante, til tross for enkelte detaljforskjeller.
- Produsenten forbeholder seg retten til å endre vekt, mål eller andre tekniske data i denne brukerveiledningen uten forvarsel. Alle verdier, mål og kapasiteter vist i denne brukerveiledningen er omtrentlige og utgjør ingen nøyaktige, tekniske spesifikasjoner.

Levetid

Produktets forventede levetid er 5 år, forutsatt at det brukes i nøye samsvar med det tiltenkte bruksområdet alle servicer og vedlikeholds krav overholdes.

Garanti

GARANTI

DETTE VIL PÅ INGEN MÅTE PÅVIRKE DINE LOVFESTEDE RETTIGHETER.

Garantibetingelsene

1) Reparasjoner eller utskiftninger skal gjøres av en autorisert Sunrise Medical-forhandler/verksted.

2) Dersom det er nødvendig å bruke garantibetingelsene for dette produktet, må du umiddelbart kontakte Sunrise Medical AS for å gi full informasjon om problemet som har oppstått. Dersom produktet må repareres når du ikke befinner deg i nærheten av ditt lokale Sunrise Medical-serviceverksted, vil arbeidet bli utført under garantibetingelsene av et annet serviceverksted som er godkjent av oss.

3) Dersom en del/deler på rullestolen må repareres eller skiftes ut pga. en bestemt produksjons- eller materialfeil i løpet av 2 år (5 år for rammen eller kryssrørmontasjen) fra den opprinnelige kjøpsdatoen, forutsatt at den opprinnelige kjøperen fortsatt eier produktet, vil delen/delene repareres eller skiftes ut gratis dersom delen/delene sendes tilbake til Sunrise Medical AS. Merk: Denne garantien kan ikke overføres til andre personer.

4) Garantitiden justeres for reparert eller utbyttet del dersom dette har skjedd i henhold til overstående vilkår.

5) Deler som byttes ut etter utløp av den ordinære garantiperioden, dekkes av en ytterligere garantiperiode på 12 måneder.

6) Deler som er utsatt for slitasje dekkes normalt ikke av garantiperioden, dersom det ikke er helt klart at slitasjen har oppstått i forbindelse med en produksjonsfeil. Herunder kan nevnes trekk, dekk, slanger og liknende.

7) Garantibetingelsene beskrevet ovenfor gjelder for alle rullestoldeler på modeller som er kjøpt til full pris.

8) Under normale omstendigheter tar vi ikke ansvar for at produktet må repareres eller bytte deler som følger av at:

- a) Produktet eller en del av det har ikke blitt ivaretatt i henhold til anbefalingene i brukerveiledningen og/eller den tekniske brukerveiledningen. Originale deler har ikke vært benyttet.
- b) Produktet eller del av den er blitt skadet pga. uforsiktighet, ulykke eller feil bruk.
- c) Produktet eller en del av det har blitt forandret utover produsentens spesifikasjoner, eller er blitt forsøkt reparert uten bruk av autorisert personer.
- d) Hvis produktet er rustet pga. feil vedlikehold.

Transport

FARE!

Det kan være fare for alvorlige personskader eller dødsfall dersom denne advarselen ikke overholdes!

Transportere rullestolen i et kjøretøy:

En rullestol som er festet i et kjøretøy, vil ikke gi like stor sikkerhet som kjøretøyets eget sikkerhetsbelte. Det anbefales alltid at brukeren forflyttes til et sete i kjøretøyet. Dersom en person må sitte i rullestolen under transport, må man ta hensyn til følgende:

1. Kontroller at kjøretøyet kan brukes til å transportere brukeren i rullestolen, og pass på at tilgangsmetoden er egnet for rullestoltypen. Gulvet i kjøretøyet må være sterkt nok til å tåle den kombinerte vekten av brukeren, rullestolen og utstyret på den.
2. Det skal være tilstrekkelig plass rundt rullestolen til å feste, stramme og frigjøre festesystemet for stolen og sikkerhetsbeltet for brukeren.
3. Rullestolen må vende forover i bilen og festes med et festesystem for rullestolen og brukeren som er i samsvar med ISO 10542 eller SAE J2249, i henhold til produsentens instruksjoner.
4. Rullestolen må ikke under noen omstendigheter transporteres i en bil på andre måter enn beskrevet her. Stolen må f.eks. aldri plasseres sideveis i en bil (Fig. A).
5. Rullestolen skal festes med et festesystem som er i samsvar med ISO 10542 eller SAE J2249, med ikke-justerbare stropper foran og justerbare stropper bak, som er utstyrt med karabinklips/kroker samt beltespenne. Disse systemene består som regel av fire separate stropper som festes til hvert hjørne på rullestolen.
6. Festesystemet skal festes til hovedrammen på rullestolen, slik vist i diagrammene på de neste sidene. Det må ikke festes i utstyr eller løse deler på stolen, slik som eikene på hjulene, bremsene eller benstøttene.

7. Festesystemet skal festes nærmest mulig 45 grader og strammes forsvarlig i samsvar med produsentens instruksjoner.

8. Rullestolens festepunkter, ramme eller komponenter må ikke byttes ut eller justeres uten at du først rådfører deg med produsenten. Slike utskiftninger eller justeringer vil gjøre at rullestolen Sunrise Medical ikke kan transporteres i en bil.

9. Det skal brukes både et bryst- og hoftebelte for å holde brukeren på plass i stolen. Dette vil redusere faren for hode- og brystskader forårsaket av deler i kjøretøyet, samt at brukeren og andre passasjerer pådrar seg alvorlige personskader. (Fig. B) Brystbeltet skal festes til "B"-stolpen i kjøretøyet. Hvis ikke kan det øke faren for at rullestolbrukeren pådrar seg alvorlige mageskader.

10. En nakkestøtte som er egnet for bruk under transport (se merkelappen på nakkestøtten) skal også monteres og tilpasses på riktig måte til enhver tid under transport.

11. Hoftebelting er kun beregnet som støtte og egner seg ikke som sikring under transport, med mindre de overholder kravene i ISO 7176-19:2001 eller SAE J2249.

12. Brukerens sikkerhet under transport er avhengig av hvor nøye personen som fester festesystemet er. Vedkommende skal ha mottatt riktige instruksjoner og/eller opplæring i dette.

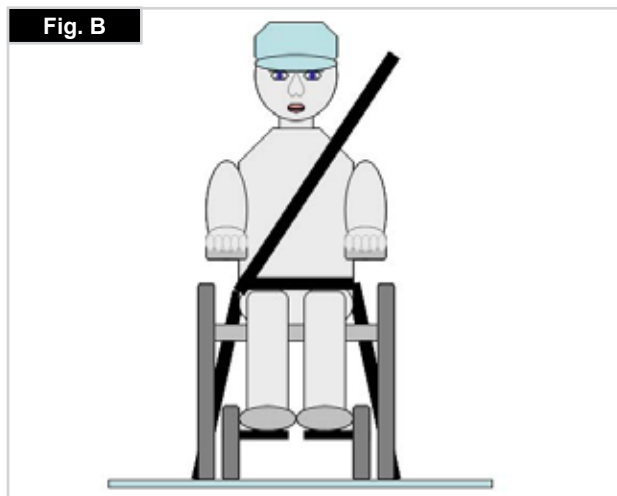
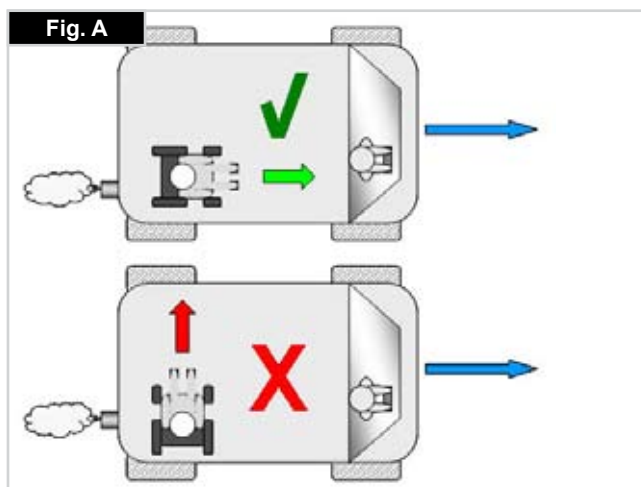
13. Løse deler på rullestolen må fjernes og legges trygt i bilens bagasjerom under transporten. Løse deler inkluderer: Krykker, løse puter og bord.

14. En hevbar/leddet benstøtte skal ikke brukes i hevet stilling når rullestolen og brukeren transporteres og stolen festet ved bruk av et festesystem.

15. Justerbare ryggstøtter skal rettes helt opp.

16. De manuelle bremsene må kobles forsvarlig inn.

17. Sikkerhetsbeltet skal festes til "B"-stolpen i kjøretøyet, og det må ikke holdes ut fra brukeren kropp av rullestolkomponenter som armlener og hjul.



Transport >>>

INSTRUKSJONER FOR HOFTEBELTET:

1. Hoftebeltet skal ligge lavt over brukerens hofter i en vinkel på mellom 30 ° og 75 ° horisontalt.

Beltet bør ha en vinkel som er nærmest mulig 75 °. Beltet må derimot aldri overstige 75 °. (Fig. C)

2. Brystbeltet må plasseres over brukerens skylder og brystkasse, slik vist i illustrasjonen Fig. D og E
Setebelter skal strammes så mye som mulig i henhold til brukerens komfort.

Beltene må ikke være vridd når de brukes.

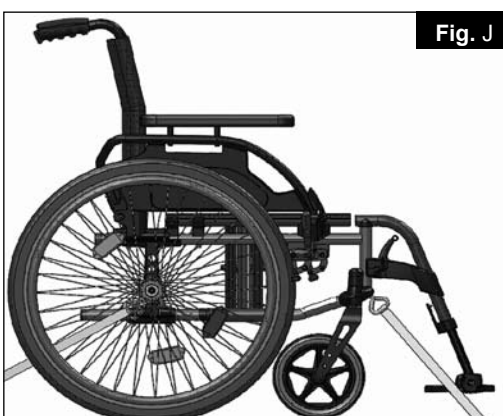
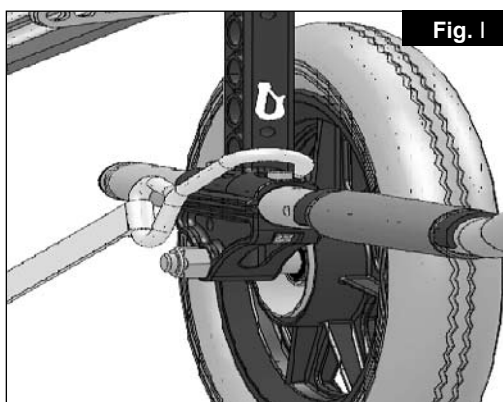
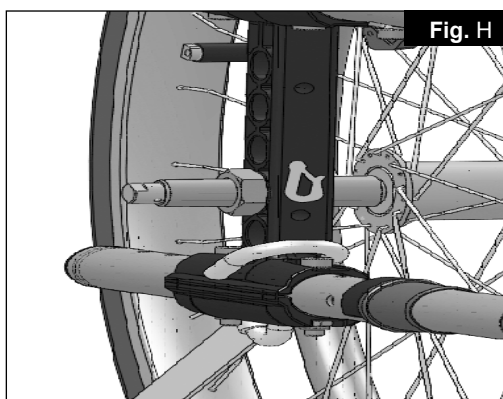
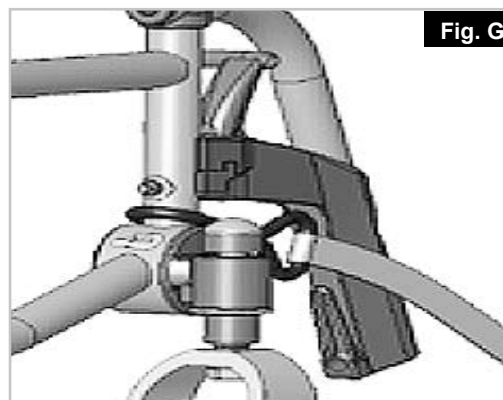
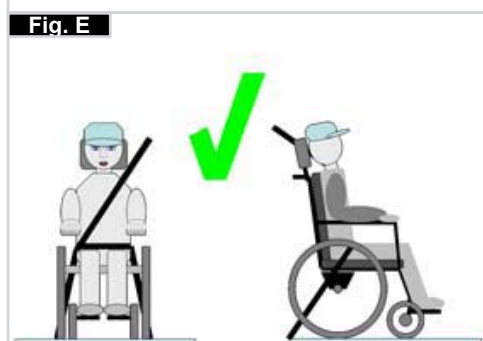
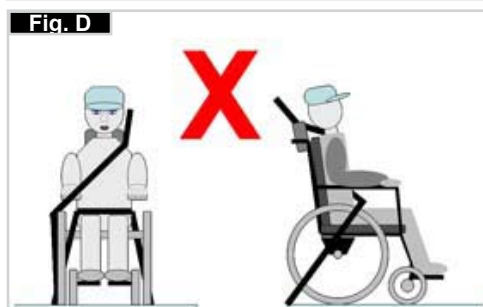
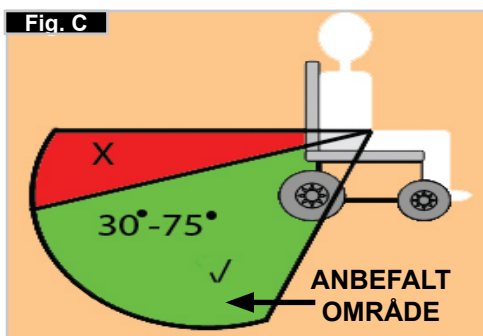
Det øvre brystbeltet skal ligge på kryss over skulderen, slik vist i Fig. D og E.

3. Festepunktene på stolen er på innersiden av rammen foran på stolen, rett over svinghjulet, samt bak på siderammen. Stroppene skal festes rundt siderammene i krysset mellom de horisontale og vertikale rammerørene. (Se Fig. G - K)

4. Festesymbolet (Fig. F) på rullestolen viser hvor festestroppene skal festes. Stroppene skal strammes når de fremre stroppene er montert for å feste rullestolen i kjøretøyet.

PLASSERING AV FESTE PUNKTER PÅ RULLESTOLEN:

1. Plassering av fremre og bakre festemerker (Fig. G-H-I).
2. Plassering av fremre (Fig. G) og bakre (Fig. H-I) festemerker på rullestolen.
3. Festestropper vist fra siden, (Fig. J).



Håndtering

LEGGES SAMMEN RULLESTOLEN

Ta først ut seteputen og ev fjern ryggskallet fra rullestolen. Vipp deretter opp den hele eller de delte benstøttene. Ta tak i midten på setetrekket eller seterørene bak fra stolen, og trekk det oppover. Rullestolen vil legges sammen. For å gjøre rullestolen minst mulig når den legges sammen, f.eks. for å legge den i en bil, kan benstøttene og/eller drivhjulene tas av (avhengig av modell). For å gjøre dette, åpne låsen på utsiden og dreii benstøtten til siden. Benstøtten kan nå trekkes lett ut av mottakerrøret (Fig. 1).



BRETTE UT STOLEN

Trykk seterøret ned (se figur). Rullestolen er nå brettet ut. Klikk seterøret på plass i setet. Dette kan gjøres lettere ved å vippe rullestolen litt forover, slik at tyngden fjernes fra bakhjulene. **Vær forsiktig slik at du ikke klemmer fingrene dine mellom kryss og ramme.** Sett tilbake seteputen og ev ryggskallet (Fig. 2).

Hurtigkobling for drivhjul

Drivhjulene er utstyrt med hurtigkoblinger. Hjulene kan derfor tas av og på uten bruk av verktøy. For å ta av et hjul, trykk ganske enkelt på den hurtigutløsende knappen på akselen (1) og trekk av hjulet (Fig. 3).



ADVARSEL:

Hold den hurtigutløsende knappen på akselen nede når akselen settes inn i rammen, ved montering av drivhjulene. Slipp opp knappen for å låse hjulet på plass. Den hurtigutløsende knappen skal kneppe på plass.

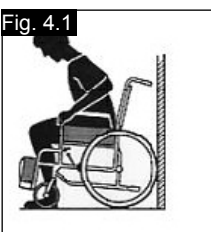
SETTE DEG I RULLESTOLEN PÅ EGEN HÅND (FIG. 4.0)

- Rullestolen skal stå mot en vegg eller et solid møbel.
- Bremsene skal være koblet inn.
- Fotplatene skal være vippet opp.
- Senk deg deretter ned i stolen.
- Fotplatene skal deretter skyves ned slik at du kan hvile føttene på dem foran hælkappen.



GA UT AV RULLESTOLEN PÅ EGEN HÅND (FIG. 4.1)

- Bremsene skal være koblet inn.
- De hengslete fotplatene skal være vippet opp.
- Hold en hånd på hvert armlen og len deg lett forover for å plassere kroppsvekten foran på setet. Sett deretter begge bena fast på bakken, med ett ben plassert et godt stykke bak det andre, og skyv deg opp i oppreist stilling.



ADVARSEL!

- Ikke stå på fotplatene da rullestolen kan vippe forover. Det er lettere å sette seg i rullestolen hvis fotplatene vippes opp eller tas av stolen.
- Bremsene må alltid kobles inn når du går inn eller ut av rullestolen.

Utstyr - Vipperør

VIPPERØR

Vipperør brukes av ledsagere for å vippe rullestolen over en hindring. Trå ganske enkelt på røret for å skyve rullestolen, f. eks. over en fortauskant eller et trinn (Fig. 5).



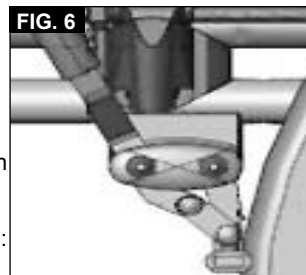
ADVARSEL!

Sunrise Medical anbefaler på det sterkeste at det brukes vipperør på rullestoler med transithjul, samt på rullestoler hvor det hovedsakelig brukes en ledsager. Dette vil forhindre skade til ryggørene når rullestolen vippes bakover for å kjøre over hindringer i veien.

Utstyr - Brems

BREMSER

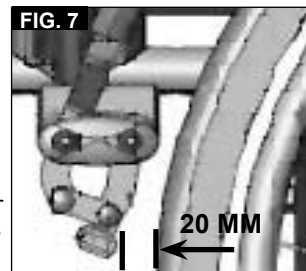
Rullestolen er utstyrt med to brems. De presses direkte mot hjulene. For å koble inn bremsene, skyv begge bremsespakene forover til de stopper. For å koble ut bremsene, trekk spakene tilbake den opprinnelige stilling deres.



Bremsekraften vil reduseres dersom:

- Mønsteret på dekkene er slitt
- Luftrykket er for lavt
- Hjulene er våte
- Bremsene er feiljustert.

Bremsene er ikke konstruert for å senke farten på rullestolen. Bremsene skal derfor aldri brukes til å bremse en rullestol som er i bevegelse. Bruk alltid drivringene for å bremse ned farten på stolen. Pass på at avstanden mellom hjulene og bremsene er i samsvar med de fastsatte spesifikasjonene. For å justere avstanden, skru opp skruen og still inn avstanden. Stram deretter skruen på nytt (Fig. 6-7).



ADVARSEL!

Hver gang drivhjulene har blitt justert, må avstanden mellom hjulene og bremsene kontrolleres og etterjusteres om nødvendig. Dersom bremsene monteres for nærme hjulet, kan det være vanskeligere å koble inn bremsene. Dette kan føre til at bremsespakforlengeren brekker! Hvis du lener deg på bremsespakforlengeren når du forflytter deg vil spaken brenke! Vann som spruter fra hjulene kan gjøre at bremsene svikter.

TROMMELBREMSER

Trommelbrems gjør at en ledsager kan bremse stolen på en trygg og enkel måte. De kan også monteres med en låsespak (1) for å forhindre at rullestolen triller. Du skal høre at spaken klikker på plass. Trommelbrems påvirkes ikke av luftrykket i dekkene. Rullestolen kan ikke flyttes når trommelbremsene er koblet inn (Fig. 8).



ADVARSEL!

Trommelbrems skal kun justeres av en kunnig person.

Utstyr - Fotplater

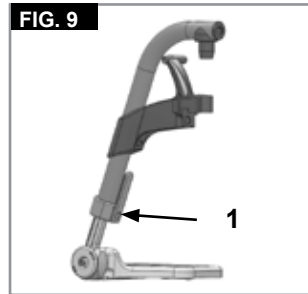
FOTPLATER:

Disse fotplatene kan vippes opp for å gjøre det lettere å gå inn og ut av stolen.

Lengde for leggene:

For brukere med lengre ben, kan benstøtten forlenges til ønsket nivå ved bruk av skruene (1). Løsne på skruene, skyv rørene til ønsket stilling, og stram deretter til skruene (se avsnittet om dreiningsmoment).

Det må alltid være en avstand på minst 2,5 cm mellom fotplaten og gulvet (Fig. 9).



Vinkeljusterbar fotplate

Vinkelen på fotplaten kan justeres. Skru opp skruen, trekk den innover, still inn ønsket vinkel, og skyv den deretter på. Stram til skruen når justeringen er fullført.

Kontroller at alle skruer er strammet som de skal etter enhver justering (se avsnittet om Tiltrekkingmoment).

Pass på at det er en avstand på minst 2,5 cm mellom fotplaten og gulvet (Fig. 10).



⚠ ADVARSEL!

- Benstøttene skal ikke brukes til å løfte eller bære rullestolen.
- Ikke bruk fotplatene når du stiger inn eller ut av rullestolen. Disse skal vippes opp på forhånd eller benstøtten skal svinges mest mulig ut til siden.

UTSTYR - VINKELREGULERBAR BENSTØTTE

(Fig. 11-13)

For å ta av benstøtten, trekk i spaken (1), sving fotplaten utover, og trekk deretter benstøtten av stolen.

JUSTERE HØYDEN:

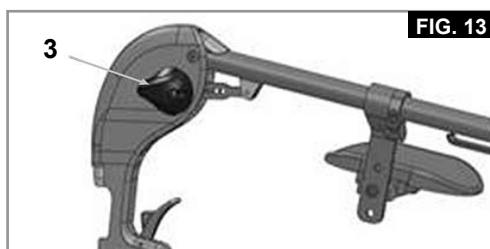
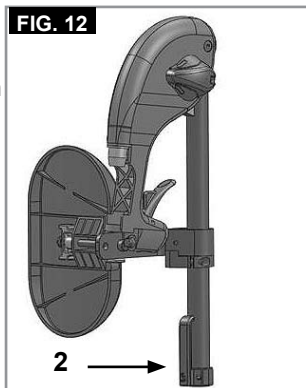
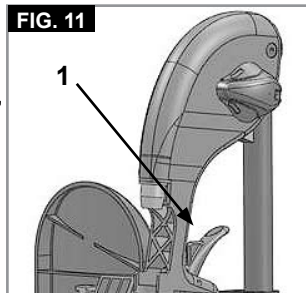
Lengden for leggene kan justeres uendelig ved å skru opp skruen (2). Juster til ønsket lengde og stram skruen på nytt.

⚠ ADVARSEL!

Avstanden mellom fotplaten og bakken må være minst 40 mm.

VINKELJUSTERING:

Skyv spaken (3) nedover med en hånd, mens du støtter benstøtten med den andre hånden slik at den ikke faller. Når du har oppnådd ønsket vinkel, slipp opp spaken slik at benstøtten låses på plass i gjeldende stilling.



JUSTERE LEGGPUTEN

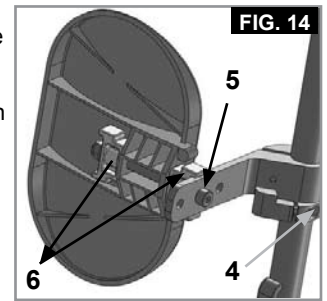
(Fig. 14).

Leggputen kan justeres på følgende måte:

Høyde: Skru opp bolten (4) og flytt klemmen til ønsket stilling. Vinkelen kan også justeres når klemmen roteres.

Dybde: Skru opp bolten (5) og flytt leggputen til ønsket stilling.

Bredde: Skru opp bolten (5) og plasser avstandsstykkene (6) bak puten, for å oppnå ønsket stilling.



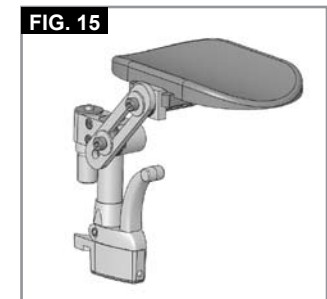
⚠ ADVARSEL!

- Hold hendene unna justeringsmekanismen mellom rammen og de bevegelige delene på benstøtten når den heves eller senkes.
- Kontroller alltid at festeanordningene sitter forsvarlig.
- Benstøttene skal ikke brukes til å løfte eller bære rullestolen.
- Fare for å klemme fingrene! Ikke plasser fingrene i justeringsmekanismen mellom de justerbare delene på benstøtten når den heves eller senkes.

AMPUTASJONSSTØTTE

(Fig. 15).

Amputasjonsstøtten kan justeres i alle retninger etter behov.



Utstyr - Svinghjul

SVINGHJUL, SVINGHJULSPLATER OG GAFLER

Det kan forekomme at rullestolen trekker litt mot høyre eller venstre, eller at svinghjulene vakler. Dette kan være forårsaket av at:

- Hjulbevegelsen forover og bakover ikke er stilt inn som den skal.
- Vinkelen på svinghjulet ikke er justert som den skal.
- Svinghjulet og/eller lufttrykket i drivhjulene er for lavt; hjulene svinger ikke jevnt.

Rullestolen vil ikke kjøre i en rett linje dersom svinghjulene er feil justert. Svinghjulene skal alltid tilpasses av en kunnig person. Bremsene må kontrolleres hver gang plasseringen av bakhjulene er justert.

Utstyr - Svinghjulsadapter

Setehøyden fastsettes av plasseringen av svinghjulene og bakhjulene. Setehøyden kan i tillegg justeres ved å endre plasseringen av bakhjulene og svinghjulene ved bruk av avstandsstykker.

⚠ ADVARSEL!

Når setehøyden er justert, må alle skruer strammes og bremsene tilpasses på nytt.



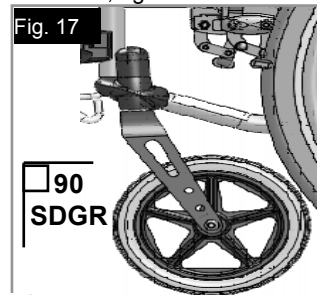
Utstyr - Svinghjulsadapter >>>

MERK:

Du kan endre vinkelen på svinghjulsakselen ved å endre plasseringen av svinghjulet/bakhjulet. Vinkelen skal alltid være ca. 90°.

JUSTERE VINKELEN PÅ SVINGHJULET:

Skrue opp skruene (1), trekk svinghjulsadapteren utover, still den i 90° vinkel, og stram deretter til skruene på nytt (Fig. 17-18).



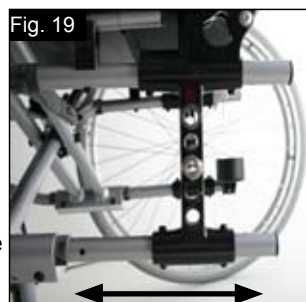
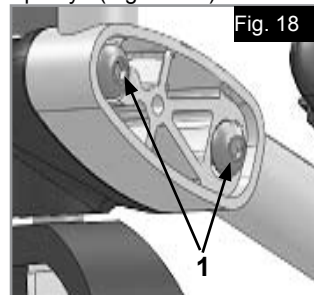
ADVARSEL!

Vinkelen på svinghjulet må være like stor på hver side (kontroller dette ved å sette merke).

HORIZONTAL Plassering AV AKSEL

Akselplaten kan justeres forover for å gjøre stolen lettere å styre, eller bakover for å gjøre stolen mer stabil (Fig. 19).

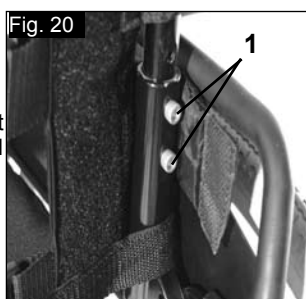
Jo bredere avstanden mellom hjulene er, desto mindre fare vil det være for at rullestolen tipper.



Utstyr - Rygg

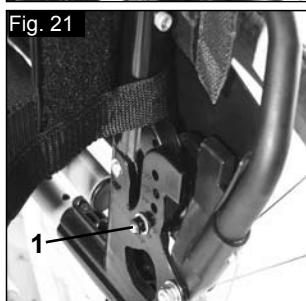
HØYDEJUSTERBAR RYGG

Høyden på ryggen kan justeres i to eller tre forskjellige stillinger (avhengig av stolmodell) (41 cm, 43,5 cm og 46 cm). Skru opp og ta ut boltene (1) + (2), og skyv ryggrøret til ønsket stilling. Stram boltene på nytt (Fig. 20).



JUSTERBAR RYGGVINKEL

Vinkelen på ryggen kan stilles i 6 forskjellige stillinger (-5° forover, 0°, 5°, 10°, 15° og 20° bakover). For å justere vinkelen, skru ut skruen (1), still ryggen til ønsket vinkel, og stram skruen på nytt (Fig. 21).



JUSTERBAR RYGGVINKEL (7° - 30°)

Ved å trekke i begge spakene (1), kan du frigjøre ryggen og flytte den til ønsket stilling.

Ryggen vil automatisk låses på plass når du slipper opp de to spakene (1) (Fig. 22).



ADVARSEL!

- Det anbefales at den vinkeljusterbare ryggstøtten is brukes sammen med bakhjulsforlengeren.
- Det anbefales at den vinkeljusterbare ryggstøtten brukes sammen med tippesikringer (maks. bakkeklaring 3-5 cm).
- Vi anbefaler at den vinkeljusterbare ryggstøtten brukes sammen med en ryggavstiver.

DELVIS NEDFELLBAR RYGG

Folde ut ryggstøtten:
For å sette ryggstøtten i oppreist stilling, skyv håndtakene oppover og forover til de låses på plass.



ADVARSEL!

Hold fingrene og andre ting unna den sammenleggbare mekanismen når ryggstøtten legges ned, for å forhindre person- eller produktskade.

Legge ned ryggstøtten:

Ryggstøtten kan legges ned for å gjøre det lettere å oppbevare rullestolen.



ADVARSEL!

Ikke brukt for mye kraft på spaken da dette kan gjøre at den brykker.

For å legge sammen ryggstøtten, stå bak rullestolen og trykk på de to små spakene (Fig. 23 - 24) plassert på hver side av ryggstøtten (rett over armlenene). Legg ryggen ned.

JUSTERBART RYGGTREKK

Du kan justere strammingen på ryggtrekket ved bruk av forskjellige stropper (Fig. 25).



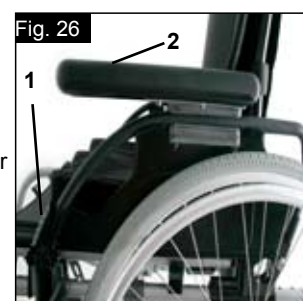
ADVARSEL!

Ikke stram stroppene for mye, da dette kan påvirke stolens sammenleggingsmekanisme.

Utstyr - Klesbeskytter

STANDARD KLESBESKYTTER, OPPVIPPBAR, AVTAKBAR MED KORTE ELLER LANGE ARMLENER

Klesbeskytter med avrundet front gjør at stolen kan kjøres tett inntil et bord. For å vippe opp armlenet, skyv spaken (1) slik at klesbeskytteren frigjøres (Fig. 26 + 27).



Høyden på armlenet (2) kan justeres ved å montere avstandsbraketten i forskjellige stillinger. For å gjøre dette skru opp skruene, flytt avstandsbraketten, og stram skruene på nytt. Lengden på armlenet kan justeres ved å skru opp skruene (3), flytte armlenet til ønsket stilling, og deretter strammet skruene på nytt (Fig. 27).



Utstyr - Klesbeskytter >>>

⚠ ADVARSEL!

Verken klesbeskytteren eller armlenene skal brukes til å løfte eller være rullestolen.

⚠ ADVARSEL!

Vær forsiktig når du justerer høyden på armputen.

KLESBESKYTTER, OPPFELLBART, AVTAKBART MED KORTE ELLER LANGE ARMLENER

Armlenet kan høydejusteres på følgende måte.

Skyv spaken nedover og flytt armlenet til ønsket høyde. Frigjør spaken og skyv armlenet nedover til det klikkes på plass. Kontroller alltid at klesbeskytterne sitter som de skal.

For å vippe opp armlenet, skyv spaken (1) slik at klesbeskytteren frigjøres.



Du kan justere lengden på armlenet ved å skru opp skruene (2), skyve armlenet til ønsket stilling, og deretter stramme skruene på nytt (Fig. 28).

⚠ ADVARSEL!

Verken klesbeskytteren eller armlenene skal brukes til å løfte eller være rullestolen.

⚠ ADVARSEL!

Ved bruk av et 24-tommers bakhjul, må armputen flyttes ett trinn opp.

HØYDEJUSTERBART ARMLEN MED ENKEL STOLPE

For å justere høyden, trekk i spaken (1) og flytt armlenet til ønsket høyde. Når dette er gjort kontroller at spaken (1) låses tilbake på plass. Armlenet tas av på samme måte.

For å ta klesbeskytteren helt av, skyv på spaken (2). Når klesbeskytteren monteres, skal du også skyve på spaken (2).

Kontroller alltid at klesbeskytteren låses riktig på plass i mottakeren. (Fig. 29).



Utstyr - Tippetingsringer

TIPPESIKRINGER

Tippetingsringer gir økt sikkerhet for uerfarne rullestolbrukere mens de lærer å bruke stolen. De forhindrer at rullestolen vipper bakover. Røret på tippetingsringen skal skyves inn i rammerøret til de to første fjærknappene går inn i hullet på rammerøret (Fig.30).

⚠ ADVARSEL!

Hvis tippetingsringene ikke er montert på riktig måte, vil det øke faren for at rullestolen tipper bakover. Tippetingsringene må vippes opp når du kjører opp eller ned fra høye hindringer (slik som en fortauskant), slik at de ikke berører bakken. Når du har kjørt over hindringen, vipp tippetingsringene ned til normal stilling.



MERK: Ikke sett inn begge knappene på tippetingsrøret i rammen, da dette kan skade tippetingsringen og gjøre den mindre effektiv. Ved å trykke på den andre utløserknappen som stikker ut, kan tippetingsringene vippes opp eller tas av. Det må alltid være en avstand på mellom 3 og 5 cm mellom røret og bakken.

Tippetingsringene må vippes opp når du kjører opp eller ned fra hindringer (slik som en fortauskant) for å forhindre at de berører bakken. Vri deretter tippetingsringene ned til normal stilling (Fig. 30).

⚠ ADVARSEL!

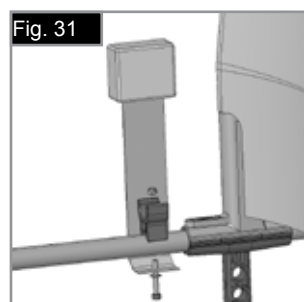
Hvis tippetingsringene ikke er montert på riktig måte, vil det øke faren for at rullestolen tipper bakover.

Utstyr – Hoftebelte

⚠ ADVARSEL!

Ta på deg hoftebeltet og kontroller at det er riktig justert før du bruker rullestolen.

Hoftebeltet er montert på rullestolen slik vist i illustrasjonen. Beltet består av to deler. Delene monteres ved bruk av de eksisterende festeboltene på setet som festes gjennom øyet på beltet. Beltet trekkes under den bakre delen på klesbeskytteren. (Fig. 31) Juster beltet slik at spennen er plassert midt foran på setet. (Fig. 32)



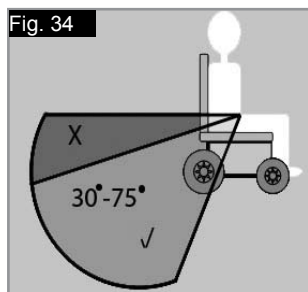
Juster hoftebeltet slik at det passer brukeren på følgende måte:

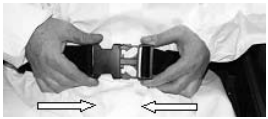



Forlange hoftebelte	Forkorte hoftebelte	✓
Trekk det ledige beltet gjennom sidespennene og beltespennen for å forlange hoftebeltet.	Trekk det ledige beltet tilbake gjennom beltespennen og sidespennene.	Pass på at beltet ikke er vridd ved spennen.

Utstyr – Hoftebelte >>>

Kontroller avstanden mellom hoftebeltet og brukeren når beltet er festet. Når beltet er riktig justert, skal du kun få plass til en flat hånd mellom beltet og brukeren. (Fig. 33)

Hoftebeltet skal plasseres slik at det sitter i en vinkel på 45°, og det skal være justert slik at brukeren ikke sklir ut av setet. (Fig. 34)



	
	
Feste hoftebelte: Skyv spennet fast inn i holderen.	Frigjøre hoftebelte: Trykk sidene på spennen inn mot midten / trykk på knappen på holderen mens du trekker beltet forsiktig fra hverandre.

RÅD TIL KUNDEN

FARE!

- Det er ikke tilstrekkelig å bruke kun hoftebeltet når rullestolen og brukeren transporteres i et kjøretøy. I slike tilfeller må det separate hoftebeltet og kjøretøyets sikkerhetsbelte også brukes.
- Vi anbefaler at du kontrollerer hoftebeltet før bruk, for å forvisse deg om at det er riktig justert, fritt for eventuelle hindringer eller slitasje, samt at spennen er låst fast i holderen.
- Hvis du ikke kontrollerer at beltet sitter som det skal og er riktig justert før bruk, kan brukeren pådra seg alvorlige personskader. F.eks. kan et belte som er for løst gjøre at brukeren sklir ned i setet og kveles.

VEDLIKEHOLD:

Kontroller hoftebeltet og festene regelmessig. Se etter slitasje eller skader. Skift ut deler om nødvendig. Rengjør hoftebeltet med varmt såpevann og la det tørke.

FARE!

Hoftebeltet skal justeres for å passe brukeren, slik beskrevet ovenfor. Sunrise Medical anbefaler også at beltets lengde og justering kontrolleres regelmessig, for å forsikre om at brukeren ikke ved et uhell har trukket beltet for langt ut.
Hvis du er i tvil om hvordan du bruker hoftebeltet, må du spørre din terapeut, HMS, rullestolforhandler eller ledsager om hjelp.

Utstyr – Sete

STANDARDSETE

Setetrekket er utstyrt med borrelås på den ene siden. Dette gjør at trekket kan strammes i en operasjon. For å justere setetrekket, legg sammen stolen. Trekk deretter de fremre dekslene på setetrekket ut av rammen. Setetrekket kan dras av rammen. Åpne borrelåsen og juster setetrekket. Gjør dette i motsatt rekkefølge for å sette tilbake setetrekket (Fig. 39)



ADVARSEL!

- Av sikkerhetsmessige årsaker må minst 50 % av overflatene på borrelåsene være i kontakt med hverandre til enhver tid.
- Setetrekket må ikke strammes for mye, da dette kan påvirke stolens sammenleggingsmekanisme. Setedybde

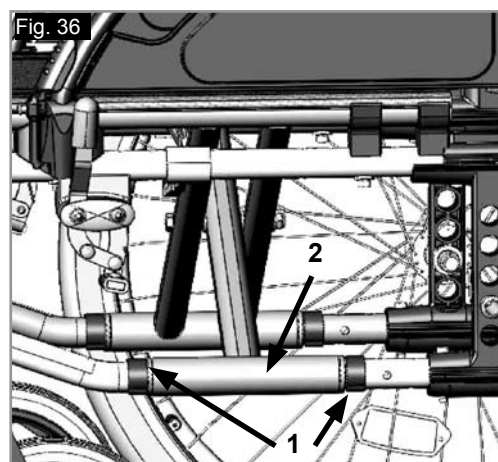
Utstyr - Setedybde

SETEDYBDE

Ved å fjerne klipsene (1) kan krysstangen (2) flyttes langs rammen, slik at setedybden endres (avhengig av stillingen på ryggrorene).

Pass på at klipsene (1) klikker på plass i hullene i rammen.

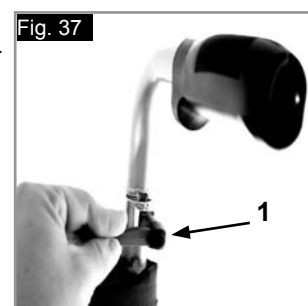
For å gjøre rammen mest mulig kompakt, kan setedybden også justeres ved bruk av ryggrorene (41 - 46 cm i trinn på 2,5 cm). For å gjøre dette, fjern skruene (1 og 2) på ryggbraketten. Ta av hjulene og armlenene, og kontroller at krysstangen er i ønsket stilling (skyv krysstangen slik beskrevet ovenfor). Flytt ryggrorene til ønsket stilling og stram til alle skruene. Flytt mottakerrøret for armlenene til ønsket stilling (Fig. 36).



Utstyr - Kjørehåndtak

HØYDEREGULERBARE KJØREHÅNDTAK

Disse håndtakene er festet med to bolter, slik at de ikke plutselig sklir ut. Ved å frigjøre utløerspaken (1), kan du justere kjørehåndtakene til den høyden du ønsker. Når høyden på kjørehåndtakene er justert, trekk utløerspaken (1) til det sitter fast (Fig. 37).



ADVARSEL!

Hvis spaken ikke er festet kan det forårsake personskade når rullestolen vippes over hindringer i veien.

Tilbehør - Krykkeholder

KRYKKEHOLDER

Med dette utstyret kan krykker festes direkte til rullestolen. Holderen er utstyrt med en borrelåshempe som brukes til å holde fast krykker eller andre hjelpemidler (Fig. 38).



ADVARSEL!

Krykker eller annet utstyr må ikke fjernes mens stolen er i bevegelse.



Tilbehør - Bord

BORD

Bordet gir en flat overflate for de fleste aktiviteter. Før bordet brukes, må det tilpasses stolens bredde. Brukeren må sitte i rullestolen under denne justeringen (Fig. 39).



Utstyr - Ryggavstiver

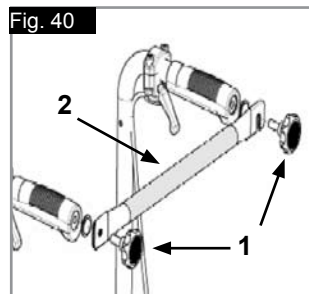
RYGGAVSTIVER

Skrue opp stjerneknotten (1) og sving ryggavstiveren (2) ut av veien, før stolen legges sammen. Gjør dette i motsatt rekkefølge for å brette ut rullestolen.



FARE!

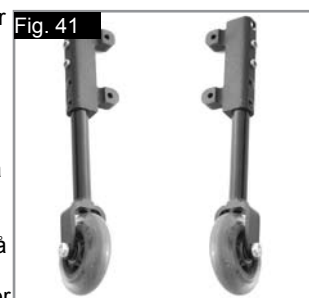
- Kontroller at ryggavstiveren og håndskruen er på plass og forsvarlig strammet før du bruker rullestolen.
- Hold aldri i ryggavstiveren når du løfter rullestolen!



Tilleggsutstyr - Transporthjul

TRANSPORTHJUL

Transporthjul skal brukes på steder hvor rullestolen er for bred med vanlige bakhjul (f.eks. på fly, busser o.l.). Når bakhjulene er tatt av ved bruk av hurtigkoblingene, kan **transporthjulene** brukes umiddelbart slik at du kan fortsette å kjøre rullestolen. **Transporthjulene** er montert slik at de sitter ca. 3 cm over bakken når de ikke er i bruk. På denne måten er de ikke i veien når rullestolen brukes, transporteres eller vippes over hindringer i veien (fortauskanter, trinn o.l.). (Fig. 41).



FARE!

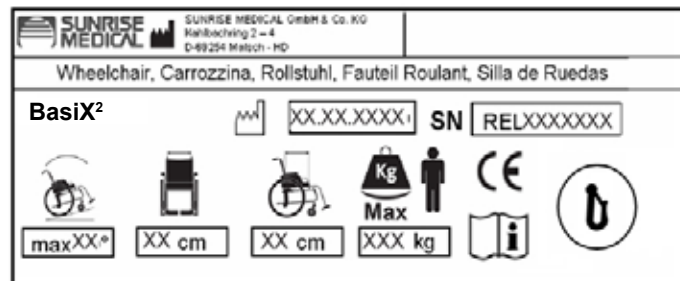
Rullestolen har ikke bremses når transporthjulene brukes.

Merking

Merking

Merkingen er enten plassert på rammekrysset eller på det tverrgående rammerøret, samt på en merkelapp i brukerveiledningen. Merket viser den nøyaktige modellbetegnelsen samt annen teknisk informasjon. Vennligst oppgi følgende informasjon når du bestiller reservedeler eller bruker garantien:

PRØVE



BasiX²

XXXXX-XXX

Produktnavn/SKU-nummer:



Maksimal sikkerhet i bakker med påmonterte tipesikringer, avhengig av rullestolinnstilling, samt brukerens kroppsholdning og fysiske evner.



Setebredde.



Dybde (maks).



Brukervekt (maks).



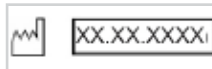
CE-merking



Brukerveiledning



Kollisjonstestet



Produksjonsdato



Serienummer.

Fordi vi kontinuerlig forbedrer konstruksjonen av våre rullestoler, kan produktspesifikasjonene variere noe fra de som vises i de illustrerte eksemplene. All vekt/dimensjoner og ytelsesinformasjon er anslåtte, og er oppgitt kun til veiledningsformål. Sunrise Medical overholder EUs medisinske utstyrsdirektiv 93/42/EEC



Alle rullestoler må brukes i samsvar med produsentens retningslinjer.

Sunrise Medical GmbH & Co.KG

Kahlbachring 2-4
69254 Malsch/Heidelberg

Germany

Tel.: +49 (0) 7253/980-0

Fax: +49 (0) 7253/980-111

www.sunrisemedical.com

Hjul og montasje

HJUL OG MONTASJE

Massive dekk er standard. Hvis stolen er utstyrt med luftfylte dekk, må du passe på at det er riktig trykk i dekkene, da dette kan påvirke stolens ytelse. For lavt lufttrykk kan gi rullemotstand, som igjen gjør det nødvendig med ekstra kraft for å bevege rullestolen. Lavt lufttrykk kan også ha en negativ innvirkning på styring av stolen. Hvis lufttrykket er for høyt kan dekket eksplodere. Det korrekte lufttrykket for ditt dekk står trykket på yttersiden av selve dekket (min. 3.5 bar).

Dekkene monteres på samme måte som et vanlig sykkeldekk. Kontroller alltid at det ikke er fremmedlegemer på kanten eller på innsiden av et dekk før en ny slange settes inn. Kontroller lufttrykket når et dekk har blitt montert eller reparert. For din egen sikkerhet og for at rullestolen skal fungere på best mulig måte, er det ytterst nødvendig med riktig lufttrykk i dekkene samt at dekkene er i god stand.

Vedlikehold og stell

SIKKERHETSKONTROLL

Som bruker er du den første til å oppdage eventuelle feil med rullestolen. Vi anbefaler derfor at du alltid kontrollerer følgende før hver bruk av rullestolen:

at det er riktig lufttrykk i dekkene
at bremsene fungerer som de skal
at alle avtakbare deler er forsvarlig festet (f.eks. armlener, benstøtter, hurtigkoblinger, o.l.).
Hvis du oppdager feil/skader på stolen, ta kontakt med din autoriserte forhandler.

VEDLIKEHOLD:

Kontroller lufttrykket i dekkene regelmessig.
Kontroller regelmessige at ingen av dekkene er slitte eller skadde. Dette skal gjøres minst en gang i året. Skift dekkene så snart de viser tegn på skade eller slitasje.
Kontroller regelmessig at setet og ryggstøtten ikke er slitte eller skadd. Dette skal gjøres minst en gang i året. Skift disse delene så snart det er tegn på noen form for slitasje eller skade.
Kontroller regelmessig at ingen ramme- eller ryggkomponenter er slitte eller skadde. Dette skal gjøres minst en gang i året. Skift disse delene så snart det er tegn på noen form for slitasje eller skade.
Kontroller regelmessig at bremsene ikke er slitte eller skadde. Dette skal gjøres minst en gang i året. Kontroller at de fungerer som de skal og er lette å bruke. Skift bremsene så snart de viser tegn på slitasje eller skade.
Kontroller regelmessig at alle bolter er forsvarlig festet (se avsnittet om Tiltrekkingsmoment). Dette skal gjøres minst en gang i året. Alle skruer som er vesentlige for rullestolens sikkerhet er utstyrt med sikringsmutre. Sikringsmutre skal kun brukes en gang og må skiftes ut etter bruk.

MERK: Hvis det er oppgitt et tiltrekkingsmoment, anbefaler vi på det sterkeste at du bruker en momentnøkkel for å kontrollere at riktig tiltrekkingsmoment er brukt.

Bruk kun milde husholdningsmidler til å vaske rullestolen med når den er skitten. Bruk kun vann og såpe til å rengjøre setetrekket og hoftebeltet.

Avhengig av hvor ofte og til hvilke formål rullestolen brukes til, anbefaler vi at du tar stolen med til din hjelpemiddelsentral med jevne mellomrom, og da minst en gang i året, for å få den vedlikeholdt på riktig måte.



Sand, salt og sjøvann kan skade lagrene i hjulene på rullestolen. Rengjør og tørk rullestolen nøye hvis den har vært utsatt for disse elementene.

HYGIENE VED GJENBRUK AV RULLESTOLEN:

Hvis stolen skal brukes av andre, må alle overflater som den nye brukeren kan komme i kontakt med vaskes og tørkes over ved bruk av et desinfeksjonsmiddel.

Hvis det er nødvendig å gjøre dette raskt, skal det brukes et flytende, alkoholbasert desinfeksjonsmiddel egnet for medisinske produkter og utstyr.
Følg produsentens instruksjoner nøye ved bruk av desinfeksjonsmiddelet.

Feilsøking

Rullestolen trekker til siden

- Kontroller lufttrykket i dekkene
- Kontroller at hjulene kan svinge lett (hjulagere, aksler)
- Kontroller vinkelen på svinghjulene
- Kontroller at begge svinghjulene er i god kontakt med bakken

Svinghjulene vakler

- Kontroller vinkelen på svinghjulene
- Kontroller at alle bolter er festet som de skal; stram til om nødvendig (se avsnittet om Tiltrekkingsmoment)
- Kontroller at begge svinghjulene er i god kontakt med bakken

Rullestolen knirker og skrangler

- Kontroller at alle bolter er festet som de skal; stram til om nødvendig (se avsnittet om Tiltrekkingsmoment)
- Smør de bevegelige delene med en liten mengde smøremiddel

Rullestolen vakler

- Kontroller vinkelen på svinghjulene
- Kontroller lufttrykket i dekkene
- Kontroller om drivhjulene er justert forskjellig

Deponere /resirkulere materialer

MERK: Hvis du har fått stolen gratis, kan det være at du kun låner den, ikke eier den. Hvis du ikke lenger har behov for rullestolen, skal du følge eventuelle instruksjoner du har mottatt om hvordan du skal levere den tilbake til organisasjonen (HMS) som lånte deg stolen.

Følgende informasjon beskriver materialene som er brukt i rullestolen i forbindelse med deponering og gjenvinning av stolen og dens emballasje.

Bestemte lokale deponerings- og gjenvinningsforskrifter kan gjelde der du bor, og disse skal tas i betraktning ved deponering/gjenvinning. (Dette kan inkludere rengjøring eller dekontaminering av rullestolen før den deponeres).

Aluminium: Svinghjul, hjul, siderammer, armlener, ramme, benstøtter, kjørehåndtak

Stål: Festeanordninger, hurtigkobling

Plast: Håndgrep, rørplugg, svinghjul, fotplater, armputer og 12" hjul/dekk

Emballasje: Pose i lavdensitetet polyetylen, kartong

Trekk: Vevd polyester med PVC-belegg og ekspandert brannhemmende skumgummi.

Deponering eller gjenvinning skal gjøres via en lisensiert agent eller på en autorisert avfallsplass. Alternativt kan rullestolen leveres inn hos forhandleren for deponering.



Tekniske spesifikasjoner

Total bredde:

Med standardhjul, inkludert tettmonterte drivringer:

SB +19 cm

Med hjul med trommelbrems, inkludert, tettmonterte drivringer:

SB +21 cm

Dimensjoner i sammenlagt stilling:

Med standardhjul = 30 cm

Uten standardhjul = 24 cm

MAKSIMAL LAST: 125 KG

SE OGSÅ SIDE 5

I henhold til EN12183: 2009 er alle deler som er oppgitt her (ryggtrekk, armputer, klesbeskytter...) brannhemmet i henhold til EN1021-2.

En trygg, dynamisk bakke vil være avhengig av stolens innstillinger, brukerens evner samt måten rullestolen kjøres på. Fordi brukerens evner og kjøremåte ikke kan fastsettes på forhånd, kan vi ikke oppgi hva som utgjør en maksimalt trygg bakke. Brukeren må derfor fastsette dette selv med hjelp fra en

ledsager for å forhindre at stolen velter. Vi anbefaler på det sterkeste at uerfarne rullestolbrukere benytter tippesikringer på stolen.

Rullestolen overholder følgende standarder:

a) Krav og testmetoder for holdbarhet (ISO 7176-8)

b) Krav til antenningsmotstand i henhold til ISO 7176-16 (EN 1021-1)

Maksimal last:

Vekt inntil 125 kg

Vekt i kg:

Transport (uten benstøtte, hjul, klesbeskytter) 8,4 kg

Benstøtte (enhet): 0,8 kg

Standard klesbeskytter (enhet): 0,8 kg

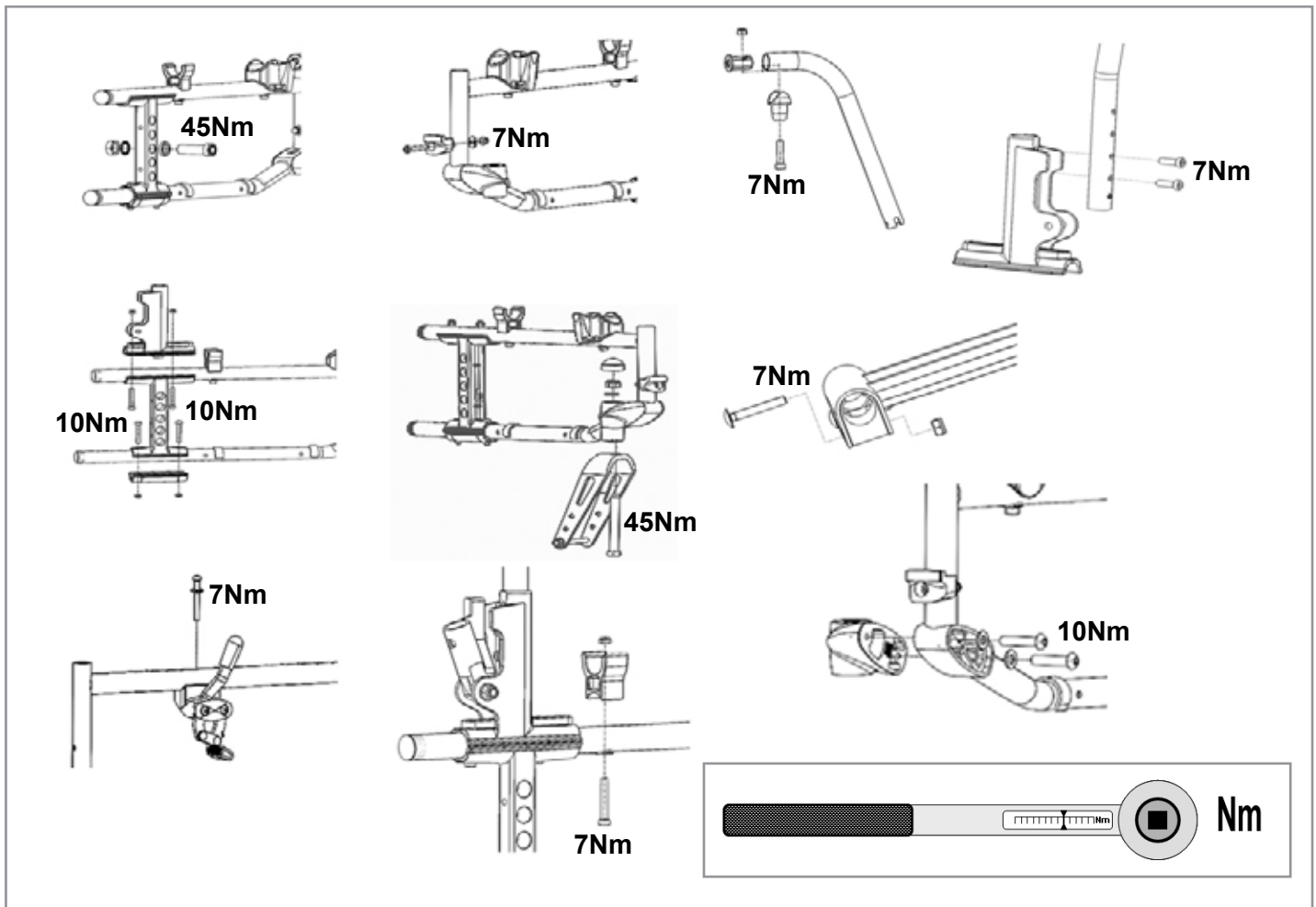
24" bakhjul (solide) (par): 3,8 kg

Justering av setehøyde

425 mm	8"	1A	
450 mm	8"	2A	1B
480 mm	8"	3A	2B
505 mm	8"		3B
425 mm	6"	2A	1B
450 mm	6"	3A	2B
480 mm	6"		3B

400 mm	24"		1
425 mm	24"		2
450 mm	24"	12"	3
475 mm	24"		4
500 mm	24"		5

Tiltrekkingsmoment



MED MINDRE ANNET ER ANGITT SKAL
M6-SKRUER STRAMMES MED ET
DREIMOMENT PÅ 7 NM.

Předmluva

Vážený zákazníku,

velmi nás těší, že jste se rozhodl(a) pro vysoce kvalitní výrobek SUNRISE MEDICAL.

V této uživatelské příručce naleznete mnoho tipů a nápadů, které vám poslouží k tomu, aby se invalidní vozík stal vaším věrným a spolehlivým partnerem v životě.

Chceme, abyste byl(a) s našimi výrobky a servisem spokojen(a). Společnost Sunrise Medical důsledně pracuje na neustálém vývoji svých produktů. Z toho důvodu může dojít ke změně v sortimentu našich výrobků s ohledem na tvar, technologii a vybavení. Proto nelze uplatňovat reklamace na základě údajů nebo obrázků v této uživatelské příručce.

Systém řízení SUNRISE MEDICAL má certifikaci ISO 9001, ISO 13485 a ISO 14001.



Výrobce, společnost SUNRISE MEDICAL, deklaruje, že invalidní vozíky odpovídá směrnici 93/42/EWG, novelizované směrnici 2007/47/EWG.

Kromě toho plní požadavky na výkon pro "Crash Test" podle ISO 7176-19

Pokud máte nějaké dotazy k používání, údržbě nebo bezpečnosti Vašeho invalidního vozíku, obraťte se na místního autorizovaného prodejce SUNRISE MEDICAL.

Pokud ve Vašem regionu není žádný autorizovaný prodejce nebo pokud máte nějaké dotazy, obraťte se na Sunrise Medical buď písemně nebo telefonicky (kontaktní adresy naleznete na zadní straně).

Sunrise Medical Limited
High Street Wollaston
West Midlands DY8 4PS
England
Tel.: +44 (0) 1384446688
www.sunrisemedical.com

Adresa a telefonní číslo místního servisního technika jsou uvedeny v okénku níže.

V případě poruchy se na něj obraťte a snažte se mu sdělit všechny důležité podrobnosti, aby Vám mohl rychle pomoci.

ČESKY



DŮLEŽITÉ UPOZORNĚNÍ:
NEPOUŽÍVEJTE TENTO INVALIDNÍ VOZÍK DOKUD SI NEPŘEČTETE TUTO PŘÍRUČKU A NEPOROZUMÍTE JÍ.

Legenda k symbolům



NEBEZPEČÍ!

Varovná hlášení týkající se možného rizika vážných nehod nebo smrti.



VAROVÁNÍ!

Varovná hlášení týkající se možného rizika zranění.



POZOR!

Varovná hlášení týkající se možných technických poškození.

UPOZORNĚNÍ:

Informace pro obsluhu výrobku.

Obsah

Součásti invalidního vozíku	3
Předmluva	160
Legenda k symbolům	160
Obsah	160
Použití	160
Oblast použití	160
Obecné bezpečnostní poznámky a omezení pro jízdu	161
Záruka	162
Přeprava	163
Manipulace	165
Varianty – Patka pro překlopení	165
Varianty - Brzdy	165
Varianty - Stupátka	166
Varianty - Kolečka	166
Varianty – Adaptér předního kolečka	166
Varianty - Opěradlo	167
Varianty – Bočnice	167
Varianty – Nástavce proti převrácení	168
Varianty – Pás sedadla	168
Varianty - Sedadlo	169
Varianty – Hloubka sedu	169
Varianty – Rukojeti pro tlačení	169
Varianty - Držák na berle	170
Varianty - Terapeutický stůl	170
Varianty - Stabilizační příčka	170
Varianty – Přepravní kola	170
Typový štítek	170
Pneumatiky a montáž	171
Údržba a péče	171
Odhalování a řešení problémů	171
Likvidace / recyklace materiálů	171
Technické údaje	172
Nastavení výšky sedadla	172
Krouticí moment	173

Použití

Lehké invalidní vozíky jsou určeny výhradně pro uživatele, kteří nejsou schopni chodit, mají omezenou pohyblivost, pro jejich osobní použití uvnitř a venku na suchých, pevných a rovných površích (poháněný uživatelem nebo tlačení ošetřovatelem).

Maximální hmotnostní limit (zahrnuje hmotnost uživatele a hmotnosti veškerého příslušenství, umístěného na invalidním vozíku) je vyznačen na štítku s výrobním číslem, který je nalepen k příčnicku nebo stabilizační tyči pod sedadlem.

Záruka platí pouze tehdy, pokud je výrobek používán za specifikovaných podmínek a k účelům, ke kterým je určen.

Předpokládaná životnost invalidního vozíku je 5 let.

NEPOUŽÍVEJTE ani nenasazuje na invalidní vozík žádné součásti od jiných výrobců, pokud je oficiálně neschválí Sunrise Medical.

Oblast použití

Díky různým variantám přizpůsobení a modulární konstrukci jej mohou používat lidé, kteří nemohou chodit nebo mají omezenou mobilitu kvůli následujícím stavům:

- Paralýza
- Ztráta končetiny (amputace nohy)
- Vada končetiny/deformita
- Kontraktury kloubu/zranění kloubu
- Choroby jako jsou srdeční a oběhové poruchy, poruchy rovnováhy nebo katechie a také pro starší lidi, kteří dosud mají sílu v horní části těla.

Při zvažování pořízení invalidního vozíku berte v úvahu také tělesnou velikost, hmotnost, fyzickou a psychickou konstituci, věk osoby, životní podmínky a prostředí.

Obecné bezpečnostní poznámky a omezení pro jízdu

Řízení a konstrukce tohoto invalidního vozíku byly navrženy s důrazem na poskytnutí maximální bezpečnosti. Jednotlivé součásti splňují, či svými vlastnostmi převyšují aktuálně platné mezinárodní bezpečnostní normy.

Přesto však se mohou uživatelé vystavovat riziku při nesprávném používání invalidních vozíků. Pro Vaši vlastní bezpečnost je nutno důsledně dodržovat následující pravidla.

Nepovolené změny nebo nastavení zvyšují riziko nehody. Jakožto uživatel invalidního vozíku jste také účastníkem každodenního provozu na silnicích a chodnicích jako kdokoli jiný. Chtěli bychom vám připomenout, že v důsledku toho pro vás platí všechny dopravní předpisy.

Buďte opatrný(á) při první jízdě na tomto invalidním vozíku. Poznejte svůj invalidní vozík.

Před každým použitím je třeba zkontrolovat následující:

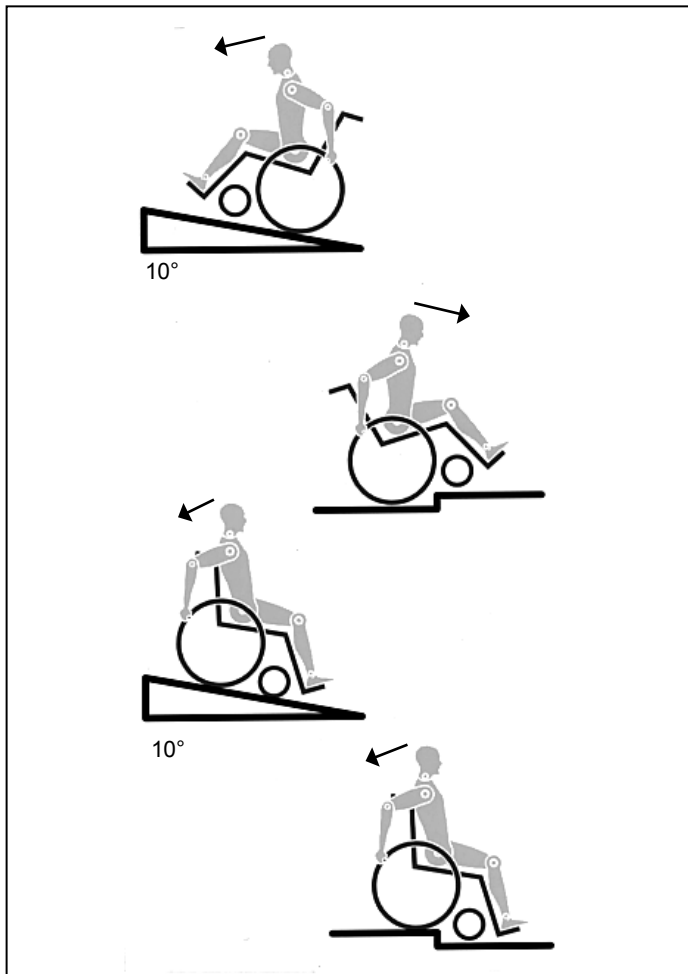
- Pevné osky nebo rychloupínací osky na zadním kole.
- Suché zipy na sedadle a opěradle
- Pneumatiky, tlak v pneumatikách a brzdy.

Před změnou kteréhokoli z nastavení tohoto invalidního vozíku je třeba si přečíst příslušný odstavec v uživatelské příručce.

Výmoly a terénní nerovnosti mohou způsobit převržení vozíku, zejména při jízdě do kopce nebo z kopce. Při jízdě dopředu přes schod nebo do svahu by mělo být tělo nakloněno dopředu.

⚠ NEBEZPEČÍ!

- NIKDY nepřekračujte maximální zatížení 125 kg, které platí pro uživatele a veškeré předměty převážené na invalidním vozíku. Pokud překročíte maximální zatížení, může to vést k poškození vozíku, můžete spadnout nebo se překloupit, či ztratit nad vozíkem kontrolu a to může vést k vážnému zranění uživatele a dalších lidí.
- Když je tma, noste světlé oděvy nebo oděvy s odrazkami, abyste byl(a) lépe vidět. Přesvědčte se, že jsou odrazky po stranách a vzadu na invalidním vozíku jasně viditelné.
- Rovněž doporučujeme opatřit invalidní vozík aktivním světlem.



⚠ NEBEZPEČÍ!

- Pro zamezení překloupení a vzniku nebezpečných situací byste se měl(a) nejprve naučit vozík ovládat na pevné zemi s dobrou viditelností.
- K nastupování na vozík a sestupování z vozíku nepoužívejte stupátka.
- Stupátka by měly být předem sklopeny nahoru a odklopeny co nejdříve směrem ven. Vždy umístěte svůj invalidní vozík jak nejlépe je to možné k místu, kam se chcete přesunout.
- Invalidní vozík používejte vždy opatrně. Například nenajíždějte do překážek bez brzdění (schody, okraje obrubníků) a nesjíždějte do otvorů.
- Brzdy kol nejsou určeny pro zastavení invalidního vozíku v pohybu. Jsou zde jen proto, aby bylo zajištěno, že se invalidní vozík neúmyslně nerozjede. Zastavíte-li na nerovné zemi, měli byste vždy použít brzdy kol, abyste předešli neúmyslnému pohybu. Vždy použijte obě brzdy, jinak by se mohl invalidní vozík převrhnout.
- Zjistěte, jak se změna těžiště projeví na chování invalidního vozíku, zejména na kopci, svazích a všech stupních při překonávání překážek. Provádějte to s bezpečnou pomocí asistující osoby.
- Při extrémních nastaveních (např. zadní kola v poloze maximálně vpředu) a při pozici těla, které není optimální, se může invalidní vozík převrhnout i na rovném terénu.
- Při překonávání spádů nebo stupínek nakloňte tělo více dopředu.
- Nakloňte horní část těla více dozadu, pokud překonáváte sklony a schody směrem dolů. Nikdy se nepokoušejte překonávat sklon směrem nahoru a dolů diagonálně.
- Nepoužívejte eskalátor, který může v případě pádu způsobit vážné zranění.
- Nepoužívejte invalidní vozík na sklonech > 10°. Bezpečný dynamický sklon závisí na konfiguraci vozíku, na schopnostech uživatele a na stylu jízdy. Vzhledem k tomu, že schopnosti uživatelů a styl jízdy nelze předem určit, nelze určit maximální bezpečný sklon. Proto jej musí určit uživatel s asistencí doprovázející osoby, aby nedošlo k převrácení. Důrazně doporučujeme, aby nezkušení uživatelé používali stabilizační prvky proti převrácení.
- Výmoly a terénní nerovnosti mohou způsobit převržení vozíku, zejména při jízdě do kopce nebo z kopce.
- Nepoužívejte invalidní vozík na blátivé a zmrzlé zemi.
- Nepoužívejte invalidní vozík tam, kde je zakázán vstup chodcům.
- Nesahejte za jízdy na invalidním vozíku mezi paprsky kola či mezi zadní kolo a blokování kola, aby nedošlo k poranění ruky.
- Zejména při používání lehkých kovových obručí se mohou prsty zahřát na vysokou teplotu při brzdění z vysokých rychlostí nebo na dlouhých svazích.
- Nesnažte se překonávat schody bez asistence jiné osoby. Pokud jsou k dispozici zařízení, která Vám mohou pomoci, např. rampy či výtahy, použijte je. Pokud takové zařízení není k dispozici, je nutno invalidní vozík naklonit a tlačit po schodech a nikdy nést (2 pomocníci). Doporučujeme, aby uživatel vážící více než 100 kg nebyl tímto způsobem přenášen. Obecně je třeba veškeré nástavce proti převrácení předem nastavit tak, aby se nedotýkaly schodů, jinak by mohlo dojít k těžkému pádu. Pak je nutno nástavce proti převrácení nastavit zpět do správné polohy.
- Zajistěte, aby doprovod držel invalidní vozík pouze za pevně a bezpečně namontované součásti. Nepoužívejte odstranitelné části (např. opěrky nohou a bočnice).

NEBEZPEČÍ!

- Při používání zdvižné rampy zajistěte, aby byly namontované nástavce proti převrácení umístěny mimo nebezpečnou oblast.
- Zajistěte invalidní vozík s použitím brzd, pokud je na nerovném podkladu nebo při přemísťování, např. do auta.
- Při jízdě speciálně upraveným automobilem pro invalidy je třeba, aby cestující používali sedadla ve vozidle a vhodný zádržný systém kdykoli je to možné. Pouze tak lze zajistit maximální ochranu cestujících v případě dopravní nehody.
- Podle průměru předních koleček, seřízení adaptéru předních kol a nastavení těžiště invalidního vozíku se může stát, že se kolečka začnou při vysokých rychlostech třepat. To může vést k zablokování koleček a invalidní vozík se může převrhnout. Proto zajistěte správné nastavení adaptéru předních koleček (viz kapitolu "Přední kolečka").
- Zejména nejezděte z kopce bez brzdění, jezděte sníženou rychlostí. Novým uživatelům doporučujeme použití nástavců proti převrácení.
- Nástavce proti převrácení by měly vozík chránit proti neúmyslnému převržení dozadu. Za žádných okolností by neměly nahrazovat přepravní kola a neměly by se používat k přepravě osoby na vozíku s odmontovanými zadními koly.
- Když se natahujete pro předměty (které jsou před vozíkem, vedle vozíku či za vozíkem), nevyklánějte se z invalidního vozíku příliš daleko, protože při změně těžiště existuje riziko převržení nebo odjetí vozíku. Zavěšení další zátěže (batohu či podobných věcí) na zadní sloupky invalidního vozíku může negativně ovlivnit stabilitu vozíku směrem dozadu, zejména při použití v kombinaci s naklápacím opěradlem. Může to způsobit překlopení invalidního vozíku směrem dozadu a tím může dojít k úrazu.
- Pro uživatele s vysokou amputací je nutno použít nástavce proti převrácení.
- Než se vydáte na cestu, zkontrolujte, zda máte správný tlak v pneumatikách. Pro zadní kola by měl být nejméně 3,5 bar (350 kPa). Maximální tlak je vyznačen na pneumatice. Brzdy s krátkým chodem budou fungovat pouze tehdy, pokud bude v pneumatikách dostatečný tlak a pokud bylo správně provedeno nastavení (viz kapitola „Brzdy“).
- Pokud je poškozený potah sedadla a opěradla, je nutné je okamžitě vyměnit.
- S ohněm manipulujte opatrně, zejména při zapalování cigaret. Potahy sedadla a opěradla mohou vzplanout.
- Je-li invalidní vozík vystaven přímému slunečnímu svitu / nízkým teplotám po delší časové období, mohou se některé části invalidního vozíku (např. rám, stupačky, brzdy a bočnice) zahřát na velmi vysokou teplotu (>41 °C) / ochladit na velmi nízkou teplotu (<0°).
- Vždy se ujistěte, že jsou rychloupínací osky na zadních kolech, jsou-li použity, nasazeny správně a zaaretovány (blokovací kuličková ložiska jsou zcela vidět skrz objímku osy). Pokud není tlačítko na rychloupínací ose stisknuté, zadní kolo nelze sejmut.

POZOR!

- Účinek brzdy s krátkým chodem a obecné jízdní vlastnosti závisí na tlaku v pneumatikách. Invalidní vozík je podstatně snáze ovladatelný, když jsou zadní kola správně nahuštěná a v obou kolech je stejný tlak.
- Přesvědčte se, zda mají pneumatiky dostatečně vysoký vzorek!
- Mějte na paměti, že při jízdě v silničním provozu pro Vás platí všechny dopravní předpisy.
- Při manipulaci s invalidním vozíkem nebo jeho seřizování buďte vždy opatrní!
- Seřizování pomocí náradí musí být vždy prováděno autorizovaným prodejcem.
- Invalidní vozík vždy očistěte, abyste předešli korozi a korozi způsobené solí.
- Kontrolujte, že jsou nýtky, matice a šrouby utaženy, a že nedošlo k uvolnění žádných částí invalidního vozíku.

POZOR!

- U všech pohyblivých částí existuje přirozené riziko zachycení prstů. Zacházejte s nimi, prosím opatrně.
- Výrobky vyobrazené a popsané v této příručce nemusí být v každém detailu přesně stejné jako Váš vlastní model. Veškeré zde uvedené pokyny však v plném rozsahu platí, bez ohledu na drobné rozdíly.
- Výrobce si vyhrazuje právo měnit hmotnosti, rozměry a další technické parametry uvedené v této příručce bez předchozího upozornění. Veškeré hodnoty, rozměry a výkony uvedené v této příručce jsou orientační a nepředstavují specifikace.

Životnost

Očekávaná životnost tohoto výrobku je 5 let za předpokladu, že: je používán striktně v souladu se zamýšleným určením použití je prováděn veškerý požadovaný servis a údržba.

Záruka

ZÁRUKA

NEJSOU TÍM NIJAK DOTČENA VAŠE ZÁKONNÁ PRÁVA
Záruční podmínky

1) Opravu nebo výměnu provede autorizovaný dodavatel nebo servisní technik společnosti Sunrise Medical.

2) Pokud chcete uplatnit podmínky záruky v případě, že invalidní vozík vyžaduje na základě těchto podmínek pozornost, informujte ihned určeného servisního technika společnosti Sunrise Medical a poskytněte mu úplné informace o povaze problému. Pokud byste používali invalidní vozík mimo oblast určeného servisního technika společnosti Sunrise Medical, práce na základě "záručních podmínek" provede kterýkoli jiný servisní technik, určený výrobcem.

3) Pokud by kterákoli část invalidního vozíku vyžadovala opravu nebo výměnu v důsledku specifické vady zpracování nebo materiálu do 24 měsíců od data, kdy vlastnictví tohoto výrobku přešlo na původního kupujícího a pokud je i nadále invalidní vozík v jeho vlastnictví, součást či součásti budou opraveny nebo vyměněny zcela bezplatně při dodání zpět autorizovanému servisnímu technikovi.
Upozornění: Tato záruka je nepřenositelná.

4) Na veškeré opravené nebo vyměněné díly se bude vztahovat záruka po zbytek záruční doby invalidního vozíku.

5) Na součásti vyměněné po uplynutí původní záruční doby se poskytuje záruka na dalších 12 měsíců.

6) Na položky povahy spotřebního materiálu se záruka v normální záruční době obvykle nevztahuje, pokud zjevně nedošlo k jejich nepatřičnému opotřebení v důsledku původní výrobní vady. Mezi tyto položky patří mimo jiné čalounění, pneumatiky, duše a podobné součásti.

7) Výše uvedené záruční podmínky platí pro veškeré součásti invalidního vozíku pro modely zakoupené za plnou maloobchodní cenu.

8) Za normálních okolností nepřijímáme žádnou odpovědnost, pokud bude oprava invalidního vozíku požadována v přímém důsledku následujících situací:

- a) Na invalidním vozíku nebo jeho součásti se neprováděla údržba nebo servis podle doporučení výrobce, jak je uvedeno v uživatelské příručce nebo v servisní příručce. Použití jiných než specifikovaných originálních součástí.
- b) Došlo k poškození invalidního vozíku nebo jeho součástí v důsledku zanedbání, nehody nebo nesprávného používání.
- c) Invalidní vozík nebo jeho díl byl pozměněn vzhledem ke specifikacím výrobce nebo byl učiněn pokus o opravu předtím, než byl informován servisní technik.
- d) Invalidní vozík zkorodoval v důsledku nesprávné údržby

Přeprava

⚠ NEBEZPEČÍ!

Při nerespektování tohoto pokynu existuje riziko závažného zranění nebo smrti!

Přeprava invalidního vozíku v autě:

Vozík, který je v motorovém vozidle zajištěn, neposkytuje stejnou úroveň bezpečnosti a zabezpečení jako systém sedadla ve vozidle. Vždy se doporučuje, aby uživatel při přepravě seděl na sedadle ve vozidle. Bylo však zjištěno, že není pro uživatele být takto přepravován vždy praktické a za těchto okolností, kdy musí být uživatel přepravován na invalidním vozíku, je nutno dodržet následující pokyny:

1. Zkontrolujte, zda je vozidlo vhodně vybavené pro přepravu cestujících v invalidním vozíku a zajištěte, aby způsob přístupu/vystupování byl vhodný pro Váš typ invalidního vozíku. Vozidlo by mělo mít sílu podlahy, která snese kombinovanou hmotnost uživatele, invalidního vozíku a příslušenství.
2. Okolo invalidního vozíku musí být dostatečný prostor umožňující volný přístup pro připevnění, dotažení a uvolnění upevňovacích pásů invalidního vozíku a bezpečnostních pásů pro jeho uživatele.
3. Vozík, v němž sedí uživatel, musí být umístěn v poloze pohledu ve směru jízdy a zajištěn kurtážními pásy pro upevnění vozíku a uživatel na vozíku musí mít zapnutý bezpečnostní pás (pásy pro upevnění vozíku WTORS splňující požadavky normy ISO 10542 nebo SAE J2249) v souladu s pokyny výrobce WTORS.
4. Používání vozíku ve vozidle v jiných polohách, např. přeprava v poloze pohledu na stranu, nebylo testováno a nesmí se provádět za žádných okolností. (Obr. A).
5. Invalidní vozík je třeba zajistit systémem upevňovacích pásů splňujícím požadavky normy ISO 10542 nebo SAE J2249 s nenastavitelnými předními pásy a nastavitelnými zadními pásy, na nichž jsou obvykle použity karabiny/háčky a spony. Tyto upevňovací pásy obvykle zahrnují 4 jednotlivé pásy upevněné ve všech rozích k invalidnímu vozíku.
6. Upevňovací pásy je třeba nasadit na hlavní rám invalidního vozíku jak je znázorněno na schématu na následující stránce a ne na doplňky nebo příslušenství, jako například okolo paprsků kol, brzd nebo opěrek nohou.

7. Upevňovací pásy je třeba připevnit co nejbližší pod úhlem 45 stupňů a bezpečně dotáhnout podle pokynů výrobce.

8. Úpravy nebo náhrady na zajišťovacích bodech vozíku, na konstrukci a rámu nebo jejich částech se nesmí provádět bez konzultace s výrobcem. Pokud tak neučiníte, nelze invalidní vozík Sunrise Medical přepravovat ve vozidle.

9. Je nutno použít bezpečnostní pásy pro pánevní oblast i bezpečnostní pásy pro horní část trupu k zafixování uživatele na invalidním vozíku, aby se omezovala možnost nárazu hlavou nebo hrudníkem do součástí vozidla a závažné riziko úrazu uživatele a ostatních cestujících ve vozidle. (Obr. B) Bezpečnostní pás pro horní část trupu je třeba namontovat na sloupek "B" ve vozidle. Pokud tak neučiníte, zvyšuje se riziko závažného zranění uživatele v břišní oblasti.

10. Po celou dobu přepravy musí být na vozíku nasazen a nastaven do vhodné polohy zádržný prvek pro hlavu (viz štítek na opěrce hlavy).

11. Fixační opory (fixační pásy a pásy) by neměly být použity nebo by se na ně nemělo spoléhat jako na bezpečnostní pomůcku v jedoucím vozidle, pokud není výslovně deklarováno, že splňují požadavky normy ISO 7176-19:2001 nebo SAE J2249.

12. Bezpečnost uživatele při přepravě závisí na péči osoby, která provádí zajištění upevňovacích pásů a je třeba, a tato osoba má být příslušně instruována/vyškolena v jejich používání.

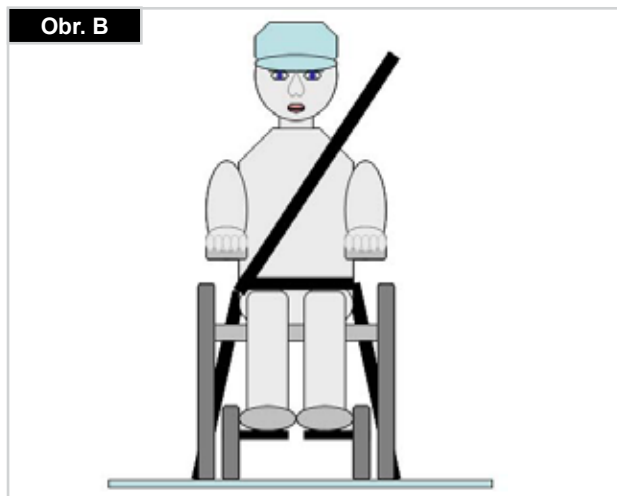
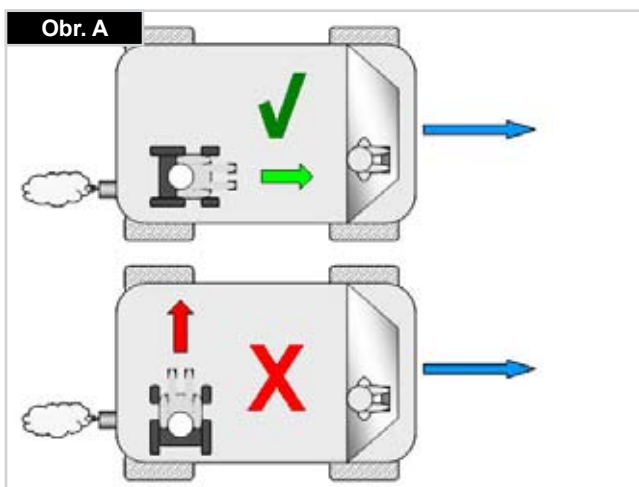
13. Kdykoli je to možné, odstraňte z vozíku a bezpečně uložte veškerá přídavná zařízení, například: berle, volné polštáře a podnosové stoly.

14. Nastavování/zdvihání stupačky nepoužívejte ve zvýšené poloze a když je invalidní vozík a uživatel přepravován a invalidní vozík je upevněn pomocí upevňovacích prvků pro přepravu vozidla a bezpečnostních pásů pro jeho uživatele.

15. Nakloněné opěrky zad je třeba vrátit do svislé polohy.

16. Ruční brzdy musí být pevně zabrzděny.

17. Upevňovací prvky je třeba namontovat na sloupek "B" vozidla a měly by být odděleny od těla komponentami invalidního vozíku, jako je područka nebo kola.



Přeprava >>>

POKYNY PRO POUŽITÍ ZÁDRŽNÉHO SYSTÉMU VE VOZIDLE:

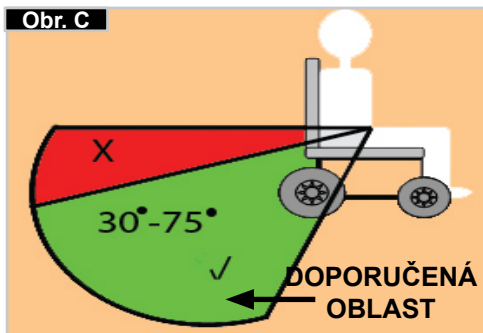
1. Bezpečnostní pás pro pánevní oblast musí být umístěn dole napříč pánví tak, aby pokud možno svíral úhel 30 až 75 stupňů s horizontální rovinou.
Strmější (větší) úhel v rámci doporučené oblasti je žádoucí, tzn. velikost úhlu blíže k 75°, avšak nikdy větší. (Obr. C)

2. Bezpečnostní pás pro zadržení horní části trupu musí být nasazen přes rameno a napříč hrudníkem, jak je znázorněno na obrázku d a e
Bezpečnostní pásy je nutno nastavit co nejtěsněji tak, aby se uživatel ještě cítil komfortně
Bezpečnostní pás nesmí být při použití překroucený.
Bezpečnostní pás pro horní část trupu musí dolehnout přes ramena a napříč rameny jak je znázorněno na obrázcích d a e.

3. Body připojení k vozíku jsou na vnitřní straně rámu vpředu, bezprostředně nad kolečkem a na zadní straně rámu. Pásky jsou umístěny okolo bočních rámu na průsečíku vodorovných a svislých trubek rámu. (Viz Obr. G - K)

4. Symbol připoutání (Obr. F) na rámu invalidního vozíku označuje polohu upevňovacích pásek invalidního vozíku. Po nasazení předních pásek pro zajištění invalidního vozíku se pásky dotáhnou.

Obr. C



Obr. D



Obr. E

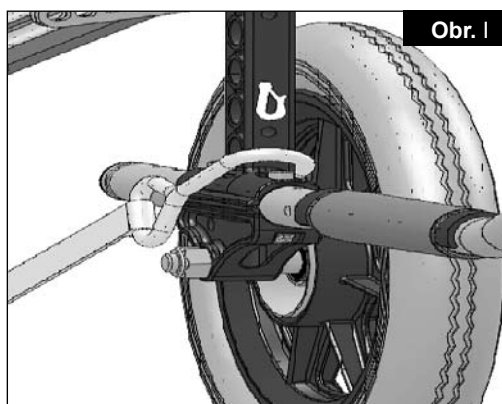
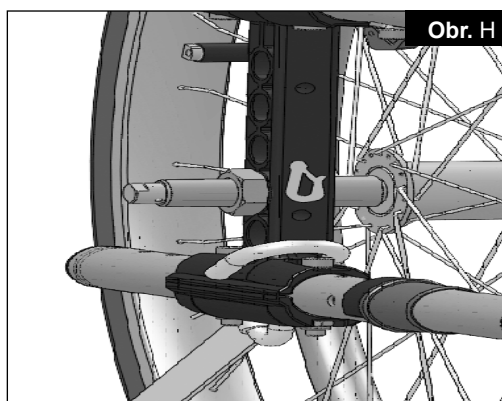
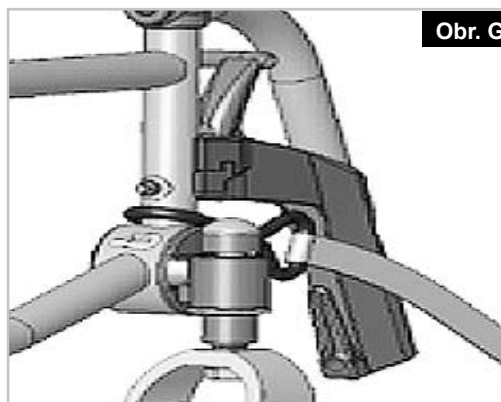


Obr. F



UMÍSTĚTE NA VOZÍK VÁZACÍ ZÁDRŽNÉ PRVKY INVALIDNÍHO VOZÍKU:

1. Umístění předního a zadního štítku pro vázací prvky (Obr. G-H-I).
2. Umístění předního (Obr. G) a zadního (Obr. H-I) vázacího zádržného prvku vozíku a štítku pro vázací prvek.
3. Boční pohled na vázací prvky, (Obr. J).



Manipulace

SLOŽENÍ

Nejprve odstraňte z invalidního vozíku polštáře ze sedadla a skořepinu opěradla a sklopte nahoru (plošinu) stupátka nebo jednotlivé stupačky. Uvolněte potah nebo trubky sedadla zatažením ze středu nahoru. Invalidní vozík se pak složí. Pokud potřebujete složit invalidní vozík tak, aby byl co nejmenší, např. pokud jej chcete převážet v autě, můžete sejmut stupátka (v závislosti na modelu). K tomuto účelu odklopte západku na vnější straně a otočte opěrku nohy do boku. Pak je třeba pouze vytáhnout opěrky nohou z příslušných trubek (Obr. 1).



ROZLOŽENÍ

Stiskněte dolů trubky sedadla (viz Obrázek). Pak se invalidní vozík rozloží. Nyní nechejte zapadnout trubku sedadla do dosedů kříže. Toho může být dosaženo mírným nakloněním vašeho invalidního vozíku, protože se tím může odlehčit váha z jednoho ze zadních kol.



Dávejte pozor, aby se Vám nezachytily prsty mezi příčnými trubkami. Opět nasadte skořepinu sedadla a opěradla (Obr. 2).

Rychloupínací osy na zadním kole.

Zadní kola jsou vybavena rychloupínacími osami. Kola lze díky tomu nasadit nebo sejmut bez použití nástrojů. Pro sejmutí kola prostě stiskněte tlačítko rychloupínače na ose (1) a stáhněte kolo z osy (obrázek 3).



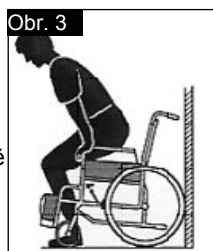
POZOR:

Držte stisknuté tlačítko

rychloupinání na ose, když nasazujete osu na rám při montáži zadních kol. Uvolněním stisknutí tlačítka zablokujete kolo na místě. Tlačítko rychloupinání by mělo vyskočit zpět do své původní polohy.

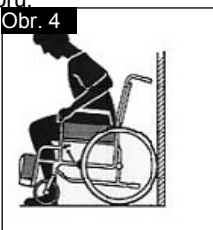
SAMOSTATNÉ NASTUPOVÁNÍ NA INVALIDNÍ VOZÍK (OBR. 3)

- Zatláče invalidní vozík proti stěně nebo proti pevnému kusu nábytku;
- Zabrzděte brzdy;
- Stupátka by měla být sklopena nahoru;
- Pak se uživatel může spustit na vozík;
- Stupátka je pak třeba zatlačit dolů a opřít o ně nohy před pásky k upevnění pat.



SAMOSTATNÉ NASTUPOVÁNÍ NA INVALIDNÍ VOZÍK (OBR. 4)

- Zabrzděte brzdy;
- Sklopená stupátka by měla být sklopena nahoru;
- Osoba, která nastupuje na invalidní vozík, položí jednu ruku na područku, mírně se nakloní dopředu a přesune tělesnou hmotnost na přední stranu sedadla. S oběma patami pevně na zemi s jednou nohou mírně vzadu se přesune do svislé polohy.



VAROVÁNÍ!

- Při vstávání nestoupejte na stupátka, protože by se mohl invalidní vozík překloupat. Je snadnější a bezpečnější nasednout do vašeho invalidního vozíku, budou-li stupačky pootočené nahoru, aby nebránily pohybu, nebo když budou z invalidního vozíku odstraněny.
- Při přemísťování z a do invalidního vozíku vždy zabrzděte brzdy kol.

Varianty – Patka pro překlopení

PATKA PRO PŘEKLOPENÍ

Naklápěcí stupátka jsou používána obsluhou vozíku k naklonění invalidního vozíku přes překážku. Jednoduše stoupněte na stupátko a vytlačte invalidní vozík například na obrubník nebo schod (Obr. 5).



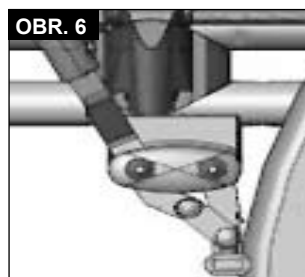
POZOR!

Společnost Sunrise Medical silně doporučuje použití stupátek u modelů s přepravními koly, a také u všech modelů, kde se předpokládá převážně použití vozíku s obsluhou, protože když invalidní vozík sklápíte přes zadní sloupky, může, během překonávání překážky, dojít k jejich poškození.

Varianty - Brzdy

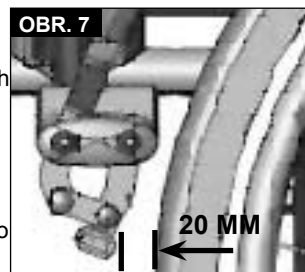
BRZDY

Invalidní vozík je vybaven dvěma brzdami. Spouští se přímo proti pneumatikám. Pro zabrzdění stisknete obě brzdové páky dopředu proti zarážkám. Pro uvolnění blokování stáhněte páky zpět do jejich původní polohy.



Síla brzdění se snižuje:

- Při sjetém vzorku pneumatik
- Pokud je tlak v pneumatikách příliš nízký
- Při mokřích pneumatikách
- Při nesprávně nastavených brzdách



Prvky pro blokování kol nejsou určeny k použití jako brzdy pro pohybující se vozík. Brzdy by proto nikdy neměly být používány k brzdění pohybujícího se invalidního vozíku. K brzdění vždy používejte obruče. Přesvědčte se, že mezera mezi pneumatikami a brzdami splňuje dané specifikace. Při změně nastavení povolte šroub a nastavte vhodnou mezeru. Pak opět dotáhněte šroub (Obr. 6-7).

POZOR!

Po každém nastavení zadních kol zkontrolujte mezeru blokování kola a v případě potřeby ji upravte. Při nastavení brzdy příliš blízko kola je třeba k zabrzdění vynaložit větší sílu. To může způsobit zlomení nástavce brzdové páky. Opíráním se o nástavec brzdové páky způsobí zlomení nástavce brzdové páky! Stříkající voda z pneumatik může způsobit nesprávné fungování brzd.

BUBNOVÉ BRZDY

Bubnové brzdy umožňují bezpečné a pohodlné brzdění pro doprovod. Rovněž jej lze nastavit s použitím blokovací páky (1) aby vozík neodjel. Páka musí slyšitelně zapadnout na svém místě. Bubnové brzdy nejsou ovlivněny tlakem vzduchu v pneumatikách. Invalidním vozíkem nelze pohybovat, když jsou zabrzděny bubnové brzdy (obr. 8).



POZOR!

Bubnové brzdy mohou nastavovat pouze autorizovaní prodejci.

Varianty - Stupátka

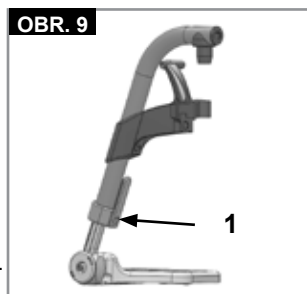
STUPÁTKA:

Stupátka lze sklopit nahoru pro usnadnění nastupování na vozík a sestupování z vozíku.

Změna výšky stupátek:

Stupátko lze snížit/zvýšit na potřebnou úroveň pomocí šroubů (1). Povolte šrouby, zatlačte trubky do požadované polohy a pak opět dotáhněte šrouby (viz odstavec o krouticím momentu).

Mezi stupátkami a podlahou musí být mezera nejméně 2.5 cm (Obr. 9).



Stupátko s nastavitelným úhlem

Lze nastavovat a měnit úhel vzhledem k zemi. Povolte šroub, zatlačte dopředu, nastavte požadovaný úhel a zatlačte na něj. Po provedení nastavení šroub opět dotáhněte. Po každém nastavování zkontrolujte, zda jsou šrouby správně dotaženy (viz stránku s hodnotami krouticích momentů). Zajistěte zachování minimální vzdálenosti od podlahy (2,5 cm) (Obr. 10).



POZOR!

- Podnožky se nesmí používat ke zdvihání nebo přenášení invalidního vozíku.
- K nastupování na vozík a sestupování z vozíku nepoužívejte stupátka. Měla by být předem sklopena nahoru a odklopena co nejvíce směrem ven.

VOLITELNÁ ZDVIHACÍ STUPÁTKA

(Obr. 11-13)

Pro odstranění zatáhněte za páku (1), otočte stupátka směrem ven a poté podnožky zdvihněte ven.

NASTAVENÍ VÝŠKY

Výška stupátek může být libovolně nastavena uvolněním šroubu (2). Nastavte vhodnou výšku a šroub znovu utáhněte.

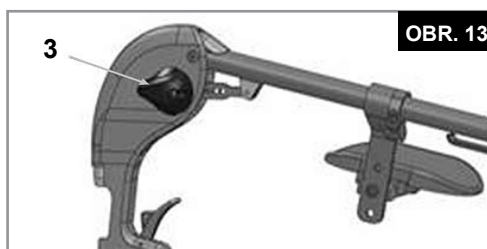
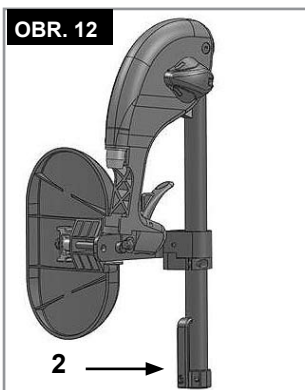
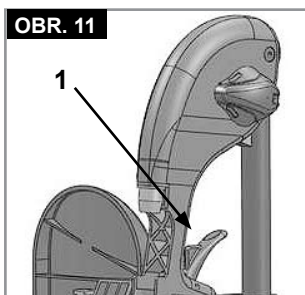


POZOR!

Vzdálenost mezi stupáčkami a zemí musí být minimálně 40 mm.

NASTAVENÍ ÚHLU SKOLNU:

Stiskněte jednou rukou páku (3) směrem dolů a při tom přidržte druhou rukou podnožku, abyste snížili váhu. Poté, co bude dosažen požadovaný úhel, uvolněte páku a podnožka se uzamkne v jedné z přednastavených pozicí.



NASTAVOVÁNÍ OPĚRKY LÝTKA

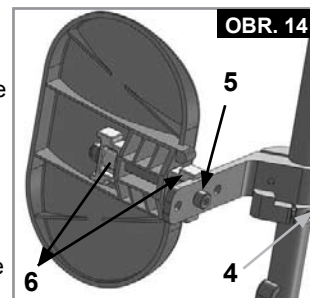
(Obr. 14).

Opěrka lýtky může být nastavena následujícím způsobem:

Výška: Uvolněte šroub (4) a posuňte upínací díl do požadované pozice. Otáčením upínacího dílu může být rovněž nastaven úhel.

Hloubka: Uvolněte šroub (5) a posuňte upínací díl do požadované pozice.

Šířka: Uvolněte šroub (5) a umístěte rozpěrku (6) za opěrku tak, abyste dosáhli požadované pozice.



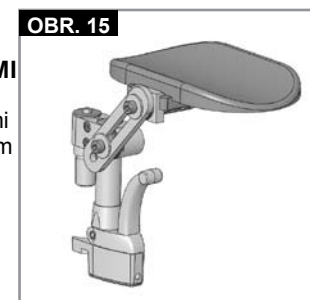
VAROVÁNÍ!

- Při zvyšování nebo snižování stupáčky držte ruce mimo nastavitelné ústrojí mezi rámem a pohyblivými částmi podnožky.
- Vždy se ujistěte, že jsou upínací prostředky bezpečně dotaženy.
- Stupáčky se nesmí používat ke zdvihání nebo přenášení invalidního vozíku.
- Riziko zachycení prstů! Při pohybu stupátka nahoru nebo dolů nedávejte prsty na nastavovací mechanismus mezi pohyblivými součástmi stupátka.

OPORA PRO UŽIVATELE S AMPUTOVANÝMI KONČETINAMI

(Obr. 15).

Oporu pro uživatele s amputovanými končetinami lze nastavit v libovolném směru podle potřeby.



Varianty - Kolečka

PŘEDNÍ KOLEČKA, ADAPTÉR PŘEDNÍCH KOLEČEK, VIDLICE

Invalidní vozík může mírně táhnout doprava nebo doleva nebo mohou kolečka během jízdy kmitat. Může to být způsobeno následujícími příčinami:

- Nastavení polohy předních a zadních kol není správné.
- Předozadní kolmost adaptéru předních koleček není nastavena správně.
- Tlak vzduchu v kolečku a/nebo zadním kole je nesprávný, kola se neotáčí hladce.

Invalidní vozík nepojede rovně vpřed, pokud nejsou kolečka správně nastavena. Kolečka by měl vždy nastavovat autorizovaný prodejce. Brzdy kol musí být zkontrolovány pokaždé, když byla změněna pozice zadních kol.

Varianty – Adaptér předního kolečka

Výška sedadla je určena polohou předních koleček a zadních kol. Výška sedadla může být nastavena změnou pozice zadních kol a předních koleček a použitím rozpěr.



POZOR!

Po seřízení výšky sedadla musí být všechny šrouby znovu utáženy a brzda kol musí být znovu nastavena.



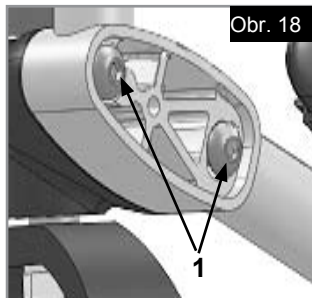
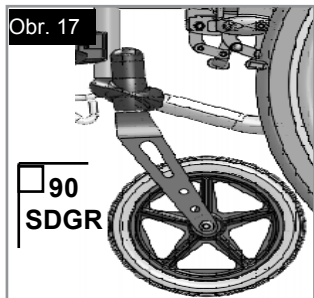
Varianty – Adaptér předního kolečka >>>

UPOZORNĚNÍ:

Můžete změnit úhel osy kolečka změnou polohy předního kolečka či zadního kola. Ten by měl být vždy cca. 90°.

NASTAVENÍ ÚHLU PŘEDNÍHO KOLEČKA:

Povolte šrouby (1), vytáhněte adaptér kolečka ven, nastavte úhel 90° a pak šrouby opět dotáhněte (Obr. 17-18).

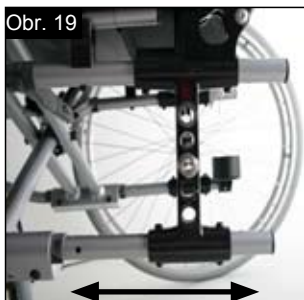


Úhel osy předních koleček je nutno nastavit stejný po obou stranách (zkontrolujte podle označení).

HORIZONTÁLNÍ POLOHA OSY

Nosník zadních kol lze nastavit dopředu pro lepší manévrovatelnost dozadu a pro zajištění větší stability (Obr. 19).

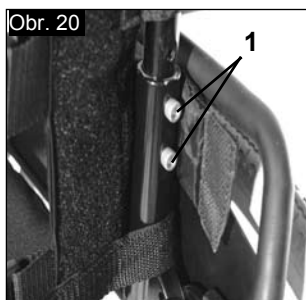
Čím větší je základna kol, tím větší je bezpečnost proti překlopení invalidního vozíku.



Varianty - Opěradlo

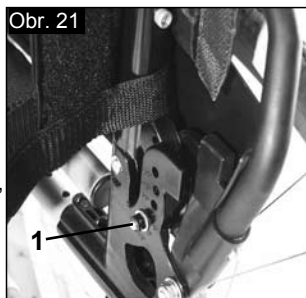
VÝŠKOVĚ NASTAVITELNÁ ZÁDOVÁ OPĚRKA

Výška zadní opěrky může být nastavena do dvou nebo tří různých pozic (záleží na modelu) (41 cm, 43,5 cm a 46 cm). Uvolněte a odstraňte šrouby (1)+(2), a zatlačte opěrku zad do požadované pozice. Oba šrouby opět dotáhněte (Obr. 20).



NASTAVITELNÝ ÚHEL OPĚRADLA

Úhel opěradla lze nastavit do 6 různých poloh (-5° dopředu, 0°, 5°, 10°, 15° a 20° dozadu). Pro nastavení úhlu vyšroubujte šroub (1), nastavte požadovaný úhel a dotáhněte šroub (Obr. 21).



NASTAVITELNÝ ÚHEL OPĚRADLA (7° - 30°)

Současným vytažením obou páček (1) můžete uvolnit opěradlo a pak jej přesunout do požadované polohy.

Po uvolnění dvou páček (1) se opěradlo automaticky zaaretuje na místě (Obr. 22).



- Je doporučeno, aby byla opěrka zad s nastavitelným úhlem použita ve spojení s nastavcem základny kol.
- Je doporučeno, aby byla opěrka zad s nastavitelným úhlem použita ve spojení s nastavci proti převrácení (maximální světlá výška 3 - 5 cm).
- Doporučujeme, aby byla opěrka zad s nastavitelným úhlem použita ve spojení se stabilizační příčkou.

SLOŽENÍ NA POLOVINU

Rozložení opěradla: Pro umístění opěradla do svislé polohy zatlačte rukojeti nahoru a dopředu tak, aby zapadly na své místo.



Aby nedošlo k úrazu nebo poškození věci, udržujte při skládání opěradla prsty a další předměty mimo skládací mechanismus.



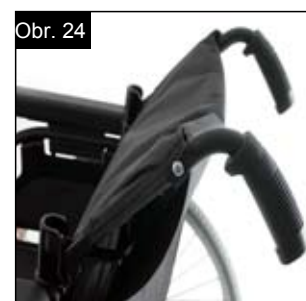
Složení opěradla:

Opěradlo lze složit pro usnadnění skládání invalidního vozíku.



Neprovozujte pod zatížením, protože by to mohlo způsobit zlomení páky.

Při skládání opěradla stůjte za invalidním vozíkem a stiskněte dvě páčky (Obr. 23 - 24) umístěné po obou stranách opěradla (přímo nad područkami). Složte opěradlo dolů.



NASTAVITELNÝ POTAH OPĚRADLA

Napnutí nastavitelného potahu zádové opěrky lze nastavit pomocí několika pásků (Obr. 25).



Nedotahujte napínací pás příliš, jinak by mohl překážet skládacímu mechanismu invalidního vozíku.



Varianty – Bočnice

STANDARDNÍ BOČNICE, SKLÁPĚČI VZHŮRU, ODNÍMATELNÁ S KRÁTKÝMI A DLOUHÝMI PODRUČKAMI

Bočnice se zaoblenými předními hranami Vám umožní dostat se blízko stolu. Pro odklopení opěrek nahoru stiskněte páku (1) pro uvolnění bočnice (Obr. 26 + 27).

Výšku područky (2) lze nastavovat nasazením distanční podložky do různých poloh. Provádí se to povolením šroubů posunutím distanční konzoly a opětovným dotažením šroubu. Délku područky můžete nastavit povolením šroubů (3), zatlačením područky do požadované polohy a následným dotažením šroubů (obr. 27).



Varianty – Bočnice >>>

⚠ POZOR!

Bočnice ani područky nepoužívejte ke zdvihání nebo přenášení invalidního vozíku.

⚠ POZOR!

Při nastavování výšky područky chraňte své prsty.

BOČNICE SKLÁPĚCÍ VZHŮRU ODNÍMATELNÁ S KRÁTKÝMI A DLOUHÝMI PODRUČKAMI

Područku lze výškově nastavovat následovně.

Zatlačte páku dolů a dejte područku do požadované výšky.

Uvolněte páku, stlačte područku dolů, až s klapnutím zapadne na místo.

Vždy zkontrolujte, jestli jsou bočnice na správném místě.

Pro odklopení opěrek nahoru stiskněte páku (1) pro uvolnění bočnice.



Délku područky můžete nastavit povolením šroubů (2), zatlačením područky do požadované polohy a následným dotažením šroubů (Obr. 28).

⚠ POZOR!

Bočnice ani područky nepoužívejte ke zdvihání nebo přenášení invalidního vozíku.

⚠ POZOR!

Pokud používáte zadní kola 24", je nutno výšku područky posunout o jednu úroveň nahoru.

VÝŠKOVĚ NASTAVITELNÉ PODRUČKY NA JEDNOM SLOUPKU

Pro nastavení výšky přitáhněte páku (1) a posuňte područku do požadované výšky. Pak zajistěte, aby páka (1) zapadla zpět do příslušné polohy. Sejmutí opěrky se provádí stejným způsobem.

Pro úplné odstranění bočnice stiskněte páku (2). Při osazení bočnice musí být páka (2) také vytažená.

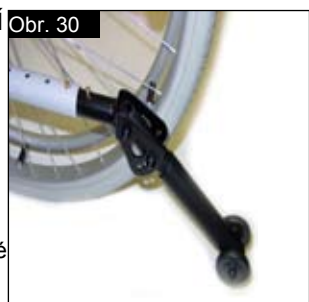
Vždy zajistěte, aby bočnice zapadla zpět do příslušné polohy. (Obr. 29).



Varianty – Nástavce proti převrácení

NÁSTAVCE PROTI PŘEVŘÁCENÍ

Nástavce proti převrácení poskytují další bezpečnostní prvek pro nezkušené uživatele, kteří se ještě učí, jak ovládat invalidní vozík. Brání převrácení invalidního vozíku dozadu. Nástavec proti převrácení s kolečky by měl být zasouván do trubky rámu, dokud první ze dvou pružinových knoflíků nevystoupí z otvoru v rámové trubce, (obr.30).



⚠ VAROVÁNÍ!

Nesprávné nastavení nástavců proti převrácení zvyšuje riziko překlopení dozadu. Při jízdě z a přes velké překážky (například obrubníky), musíte otočit nástavce proti převrácení směrem nahoru, aby se nedotkly země, a poté je otočte zpět dolů do normální polohy.

POZNÁMKA: Nezasouvejte oba pružinové knoflíky nástavce proti převrácení do rámové trubky, protože to může nástavec poškodit a může dojít ke ztrátě účinnosti. Zmáčknutím druhého odkrytého uvolňovacího knoflíku mohou být bezpečnostní kolečka nastavena směrem nahoru nebo odstraněna. Mezi trubkou a zemí musí být mezera 3 - 5 cm. Musíte odklopit jisticí kolečka nahoru při překonávání velkých překážek (například obrubníků), aby se nedotýkala země. Pak otočte jisticí kolečka dolů, do normální polohy (Obr. 30).

⚠ VAROVÁNÍ!

Nesprávné nastavení jisticích koleček zvyšuje riziko překlopení dozadu.

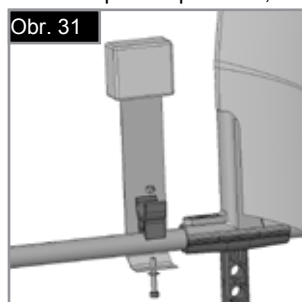
Varianty – Pás sedadla

⚠ VAROVÁNÍ!

Před použitím invalidního vozíku zkontrolujte, zda není pás opotřebovaný a zda je správně nastavený.

Pás pro upnutí v klíně se upevní na vozík jak je znázorněno na obrázcích. Pás sedadla se skládá ze 2 polovin. Jsou upevněny s použitím stávajícího přídržného šroubu opěrky, nasazeného přes očko na pásu. Pás je veden přes zadní stranu bočního panelu. (Obr. 31)

Nastavte polohu pásu tak, aby spona byla uprostřed sedadla. (Obr. 32)



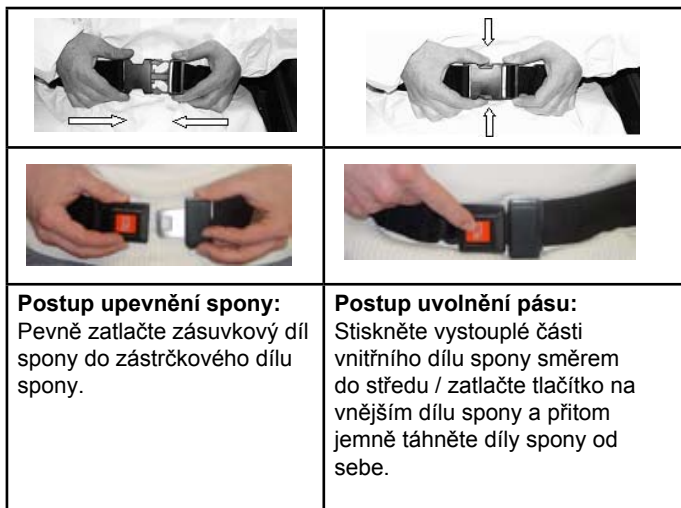
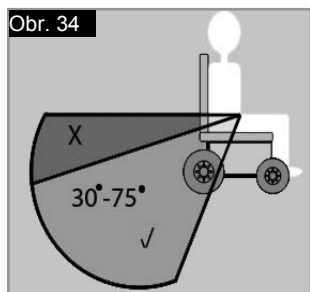
Nastavte pás sedadla podle potřeb uživatele následujícím postupem:

Prodloužení pásu	Zkrácení pásu	✓
Pro prodloužení pásu nasuňte volný pás přes posuvné nastavovací prvky a zásuvkový díl spony tak, aby byl pás delší.	Nasuňte volný pás zpět přes zástrčkový díl spony a posuvné nastavovací prvky.	Přesvědčte se, že není pás navinutý na zástrčkovém dílu spony.

Varianty – Pás sedadla >>>

Po upevnění zkontrolujte prostor mezi pásem sedadla a uživatelem, při správném nastavení by nemělo být možné mezi uživatele a sedadlo vsunout nic více než dlaň naplocho. (Obr. 33)

Obecně je třeba pás pro upnutí v klíně připevnit tak, aby pásy seděly pod úhlem asi 45° a při správném nastavení by měl pás umožnit uživateli sklouznout v sedadle dolů. (Obr. 34)



DOPORUČENÍ PRO KLIENTA

⚠ NEBEZPEČÍ!

- Při přepravě uživatele na vozíku v autě se nespolehejte jen na pás pro upnutí v klíně, použijte zvláštní bezpečnostní pás a diagonální zábrany, které jsou ve vozidle.
- Doporučujeme před použitím pás pro upnutí v klíně zkontrolovat, aby bylo zajištěno, že je správně nastaven, bez veškerých překážek, není opotřeбенý tak, aby to zhoršovalo jeho funkci a že spona správně zapadne.
- Pokud není pás pro upnutí v klíně před použitím zkontrolován, zda je bezpečný a nastaven, může to způsobit těžké zranění uživatele. např. příliš volný pás může umožnit sklouznutí uživatele na vozíku a způsobit riziko udušení.

ÚDRŽBA:

Pravidelně kontrolujte pás pro upnutí v klíně a jeho součásti, zda nejví známky roztřepení nebo poškození. V případě potřeby jej vyměňte. Pás čistěte teplou mýdlovou vodou a nechte uschnout.

⚠ NEBEZPEČÍ!

Pás sedadla musí být nastaven tak, aby vyhovoval koncovému uživateli, jak je podrobně popsáno výše. Společnost Sunrise Medical také doporučuje, aby byla délka a usazení pásu pravidelně kontrolována, aby se snížilo riziko neúmyslného prodloužení pásu do nadbytečné délky.

V případě jakýchkoli pochyb ve vztahu k používání a obsluze pásu sedadla požádejte o pomoc ošetřujícího zdravotníka, prodejce invalidního vozíku, pečovatele nebo ošetřovatele.

Varianty - Sedadlo

STANDARDNÍ POTAH SEDADLA

Potah je vybaven na jedné straně suchými zipy a to umožňuje plynulé vypnutí potahu sedadla. Pro nastavení potahu sedadla sklopte sedadlo nahoru. Pak stáhněte dvě přední krytky směrem dopředu z rámu. Potah lze stáhnout z rámu. Uvolněte suchý zip a nastavte potah. Při nasazování potahu postupujte v opačném pořadí (Obr. 39)



⚠ POZOR!

- Pro zajištění bezpečnosti musí být vždy ve vzájemném kontaktu alespoň 50 % povrchů suchých zipů.
- Potah nesmí být příliš napnutý, protože jinak by mohl překážet skládacímu mechanismu invalidního vozíku. Hloubka sedu

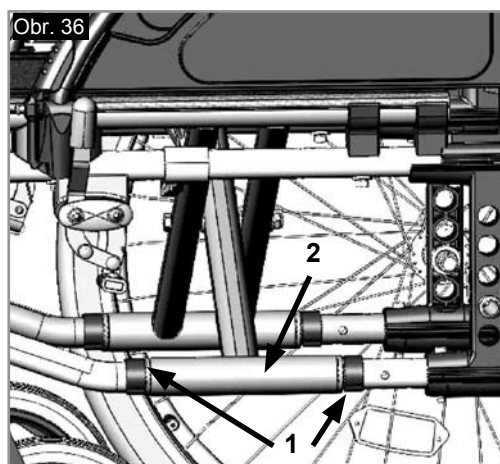
Varianty – Hloubka sedu

HLOUBKA SEDU

Po odstranění upínacích prvků (1) lze příčný kříž (2) posunout podél rámu, čímž se změní hloubka sedadla (v závislosti na poloze zadních trubek).

Upínací prvky (1) musí zapadnout do příslušných otvorů v rámu.

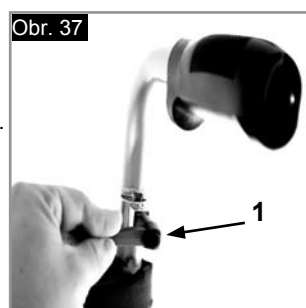
Aby byl rám co nejkompaktnější, hloubku sedadla lze také nastavovat pomocí zadních trubek (41-46 cm v krocích po 2,5 cm). Provádí se to vyšroubováním šroubů (1 a 2) na konzole zadní trubky. Sejměte kola a područky a zkontrolujte, zda je příčný kříž v požadované poloze (zatlačte příčný kříž jak je popsáno výše). Umístěte zadní trubky do požadované polohy a dotáhněte všechny šrouby. Posuňte trubky do nichž se zasouvají područky do požadované polohy (Obr. 36).



Varianty – Rukojeti pro tlačení

VÝŠKOVĚ NASTAVITELNÉ RUKOJETI PRO TLAČENÍ

Tyto rukojeti jsou zajištěny kolíky, které brání jejich nezamýšlenému vyklouznutí. Uvolněním uvolňovací páky můžete (1) nastavit rukojeti pro tlačení do výšky, která Vám vyhovuje. Po nastavení výšky rukojeti pro tlačení vytáhněte páku, aby pevně seděla (Obr. 37).



⚠ POZOR!

Pokud není páka zajištěna, může při překonávání překážek dojít k úrazu.

Varianty - Držák na berle

DRŽÁK NA BERLE

Toto zařízení umožňuje přepravovat berle přímo na invalidním vozíku. Je zde poutko se suchým zipem k upevnění berlí nebo jiných pomůcek (Obr. 38).



VAROVÁNÍ!

Během pohybu nikdy nepoužívejte nebo se nesnažte odstranit berle nebo jiné pomůcky.

Varianty - Terapeutický stůl

TERAPEUTICKÝ STŮL

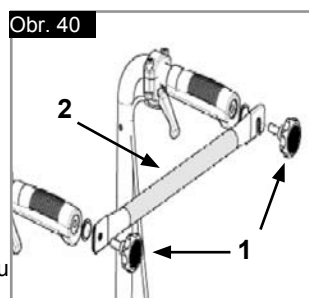
Stolek poskytuje rovný povrch pro většinu činností. Před použitím je třeba, aby stolek nastavil na šířku sedadla autorizovaný prodejce. Při tomto nastavování musí uživatel sedět v invalidním vozíku (Obr. 39).



Varianty - Stabilizační příčka

STABILIZAČNÍ PŘÍČKA

Před složením invalidního vozíku uvolníte hvězdicový šroub (1) a sejměte stabilizační příčku (2). Pro vrácení vozíku do původního stavu proveďte předešlý postup opačně.



NEBEZPEČÍ!

- Před použitím invalidního vozíku se přesvědčte, že stabilizační mřížka a hvězdicovité šrouby jsou na svém místě a jsou správně dotaženy.
- Nikdy nezdvíhejte vozík za stabilizační příčku!

Varianty – Přepravní kola

PŘEPRVNÍ KOLA

Přepravní kola e třeba použít vždy, když by byl invalidní vozík příliš široký oří použití zadních kol (např. v letadlech, autobusech, atd.). Po sejmutí zadních kol s použitím rychlounvolňovacích os lze okamžitě použít přepravní kola a pokračovat v jízdě. Přepravní kola jsou namontována tak, že jsou asi 3 centimetry nad zemí, když se nepoužívají. Nejsou určena pro běžnou jízdu, přepravu nebo naklápění přes překážky (např. obrubníky, schody, atd.). (Obr. 41).



NEBEZPEČÍ!

Invalidní vozík nemá při použití přepravních kol brzdy.

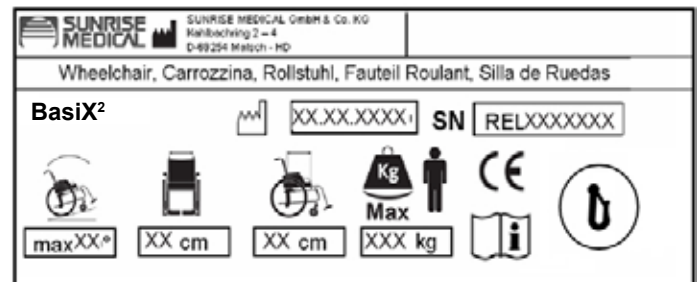
Typový štítek

Typový štítek

Typový štítek je umístěn na trubkové konstrukci nebo na příčné trubce rámu a rovněž v uživatelské příručce. Na typovém štítku je vyznačen přesný název modelu a další technické specifikace. Při objednávání náhradních dílů a reklamaci vždy uvádějte následující údaje:

Vzhledem k naší politice průběžného vylepšování designu našich

VZOR



BasiX²
XXXXX-XXX

Název výrobku/SKU číslo.



Maximální bezpečný sklon s nastavcem proti převrácení závisí na nastavení invalidního vozíku, poloze těla a fyzických schopnostech uživatele



Šířka sedadla.



Hloubka (maximum).



Maximální zatížení.



CE značka



Uživatelská příručka.



Podrobeno crash testům



Datum výroby.



Výrobní číslo.

invalidních vozíků, se může specifikace výrobků lehce lišit od uvedených příkladů. Veškeré hmotnosti/rozměry a technické parametry jsou přibližné a jsou poskytovány pouze jako vodítko. Sunrise Medical splňuje směrnici EU o zdravotnických prostředcích 93/42/EHS



Všechny invalidní vozíky je nutno používat podle pokynů výrobce.

Sunrise Medical GmbH & Co.KG
Kahlbachring 2-4
69254 Malsch/Heidelberg
Germany
Tel.: +49 (0) 7253/980-0
Fax: +49 (0) 7253/980-111
www.sunrisemedical.com

Pneumatiky a montáž

PNEUMATIKY A MONTÁŽ

Bezdušové pneumatiky jsou standard.

U pneumatik huštěných vzduchem zajistěte, aby v nich byl správný tlak, protože by to mohlo mít vliv na výkon invalidního vozíku. Pokud je tlak v pneumatikách příliš nízký, zvyšuje se valivý odpor a k jízdě je pak třeba vynaložit větší sílu. Nízký tlak v pneumatikách má také negativní vliv na schopnost manévrování. Pokud je tlak v pneumatikách příliš vysoký, může pneumatika prasknout. Správný tlak pro příslušnou pneumatiku je vytištěn na povrchu (na boku) pneumatiky (min. 3.5 bar).

Pneumatiky lze namontovat stejným postupem jako běžné pláště na jízdní kolo. Před instalací nové duše se musíte vždy přesvědčit, že v základně ráfku a ve vnitřku pneumatiky nejsou cizí tělesa. Po montáži nebo opravě pneumatiky zkontrolujte tlak. Pro Vaši bezpečnost a lehkou jízdu na vozíku má zásadní důležitost, aby byl v pneumatikách správný tlak a aby byly pneumatiky v dobrém stavu.

Údržba a péče

BEZPEČNOSTNÍ KONTROLA:

Jako uživatel jste první osobou, která zaznamená jakékoli možné závady. Přesto doporučujeme zkontrolovat před každou jízdou následující:

Zda je tlak v pneumatikách v pořádku.

Zda brzdy fungují správně.

Zda jsou všechny odstranitelné části bezpečně upevněny (např. područky, závěsy stupaček, rychloupínací osky ...).

Najdete-li jakékoli poškození/defekt, kontaktujte, prosím autorizovaný servis.

ÚDRŽBA:

Pravidelně kontrolujte tlak v pneumatikách.

V pravidelných intervalech, minimálně jednou za rok, kontrolujte opotřebení a poškození všech pneumatik. Při jakýchkoli známkách opotřebení nebo poškození pneumatiky vyměňte.

V pravidelných intervalech, minimálně jednou za rok, kontrolujte opotřebení a poškození potahu sedadla a zadní opěrky. Při jakýchkoli známkách opotřebení nebo poškození tyto předměty vyměňte.

V pravidelných intervalech, minimálně jednou za rok, kontrolujte opotřebení a poškození celého rámu a součástí opěrky zad. Při jakýchkoli známkách opotřebení nebo poškození tyto předměty vyměňte.

V pravidelných intervalech, minimálně jednou za rok, kontrolujte opotřebení a poškození všech brzd. Zkontrolujte, jestli fungují správně a jestli se snadno používají. Při jakýchkoli známkách opotřebení nebo poškození brzdy vyměňte.

V pravidelných intervalech, minimálně jednou za rok, zkontrolujte, zda jsou všechny šrouby dotažené (viz. kapitola o krouticím momentu). Všechny šrouby, které jsou nezbytné pro bezpečné používání invalidního vozíku mají pojistné matice. Pojistné samosvorné matice lze použít pouze jednou a po použití je třeba je vyměnit.

POZNÁMKA: Jsou-li dány stupně kroucího momentu, silně doporučujeme použít zařízení na jeho měření, abyste zkontrolovali, že jste šroub dotáhli na správný kroucí moment.

K čištění ušpiněného invalidního vozíku používejte pouze šetrné působící čisticí prostředky pro domácnost. K čištění čalounění sedadla a pásu sedadla používejte pouze mýdlo a vodu.

V závislosti na četnosti a typu použití doporučujeme, abyste svůj invalidní vozík brali na pravidelné kontroly v autorizovaném servisu, a to minimálně jednou za rok, abyste jej měli udržovaný školeným personálem.



Písek, sůl a mořská voda mohou poškodit ložiska předních a zadních kol. Po vystavení těmto podmínkám svůj invalidní vozík pečlivě očistěte a osušte.

HYGIENA PŘI OPAKOVANÉM POUŽITÍ JINÝM

UŽIVATELEM:

Pokud má být invalidní vozík použit opakovaně, je třeba jej pečlivě připravit, očistit a ošetřit dezinfekčním prostředkem ve spreji na všech plochách které by mohly přijít do styku s uživatelem.

Potřebujete-li to udělat rychle, musíte použít tekutý dezinfekční prostředek na bázi alkoholu, vhodný pro zdravotnické výrobky a zařízení.

Věnujte pozornost pokynům výrobce dezinfekčního prostředku, který používáte.

Odhalování a řešení problémů

Invalidní vozík táhne na jednu stranu

- Zkontrolujte tlak v pneumatice
- Zkontrolujte, zda se kolo snadno otáčí (ložiska, osa)
- Zkontrolujte úhel kolečka
- Zkontrolujte, zda mají obě kolečka dobrý kontakt se zemí

Kolečka začnou kolísat

- Zkontrolujte úhel kolečka
- Zkontrolujte, zda jsou všechny šrouby dotažené a v případě potřeby je dotáhněte (viz kapitola o krouticím momentu)
- Zkontrolujte, zda mají obě kolečka dobrý kontakt se zemí

Invalidní vozík skřípe a rachotí

- Zkontrolujte, zda jsou všechny šrouby dotažené a v případě potřeby je dotáhněte (viz kapitola o krouticím momentu)
- Naneste malé množství mazacího tuku na místa, kde přicházejí vzájemně do styku pohyblivé součásti

Invalidní vozík se začne třepat

- Zkontrolujte úhel nastavení koleček
- Zkontrolujte tlak v pneumatice
- Zkontrolujte, zda nejsou zadní kola rozdílně nastavená

Likvidace / recyklace materiálů

UPOZORNĚNÍ: Pokud Vám byl invalidní vozík dodán bezplatně, je možné, že Vám nepatří. Pokud již není vozík potřeba, dodržujte veškeré pokyny organizace, která vozík vydala, aby mohl být vozík této organizace vrácen.

Dále jsou uvedeny informace o materiálech použitých v invalidním vozíku ve vztahu k likvidaci či recyklaci invalidního vozíku a jeho obalu.

Je možné, že platí specifické místní předpisy pro likvidaci a recyklaci odpadů a při likvidaci je třeba tyto předpisy respektovat. (Může se mimo jiné jednat o čištění nebo dekontaminaci invalidního vozíku před jeho likvidací).

Hliník: Vidlice koleček kola, boční rámy, područky, rám, stupačky, rukojeti pro tlačení

Ocel: Upevňovací prvky, rychloupínací osa

Plasty: Rukojeti, zátky trubek, kolečka, podnožky, podušky područek a 12" kolo/pneumatika

Obal: Pytel z nízkotlakého polyethylenu, lepenková krabice.

Čalounění: Polyesterová tkanina s vrstvou PVC a lehčenou pěnou s protipožární úpravou.

Likvidaci či recyklaci je třeba provádět prostřednictvím autorizovaného zástupce či na autorizované místě k likvidaci. Alternativně můžete invalidní vozík vrátit k likvidaci prodejci.



Technické údaje

Celková šířka:

Se standardními koly s madly, těsná montáž:

ŠS +19 cm

S koly s bubnovými brzdami včetně obručí, těsně namontovaných:

ŠS +21 cm

Rozměry ve složeném stavu:

Se standardními koly = 30 cm

Bez standardních kol = 24 cm

Maximální zatížení:

Zatížení vozíku do 125 kg

Hmotnost v kg:

Přeprava (bez podnožek, kol a bočnic) 8,4 kg

Podnožka (jednotka): 0,8 kg

Standardní bočnice (jedna): 0,8 kg

24" zadní kolo (pevné) (pár): 3,8 kg

MAXIMÁLNÍ ZATÍŽENÍ: 125 KG

VIZ. TAKÉ STR. 5

V souladu s normou EN12183: 2009 jsou všechny uvedené součásti (sedadlo - čalounění opěradla, područka, boční panel...) nehořlavé podle normy EN1021-2.

Bezpečný dynamický sklon závisí na konfiguraci vozíku, na schopnostech uživatele a na stylu jízdy. Vzhledem k tomu, že schopnosti uživatelů a styl jízdy nelze předem určit, nelze určit maximální bezpečný sklon. Proto jej musí určit uživatel s asistencí doprovázející osoby, aby nedošlo k převrácení. Důrazně doporučujeme, aby nezkušení uživatelé používali stabilizační prvky proti převrácení.

Invalidní vozík splňuje následující normy:

a) Požadavky a testy na statickou pevnost, odolnost proti nárazu a únavovou pevnost (ISO 7176-8)

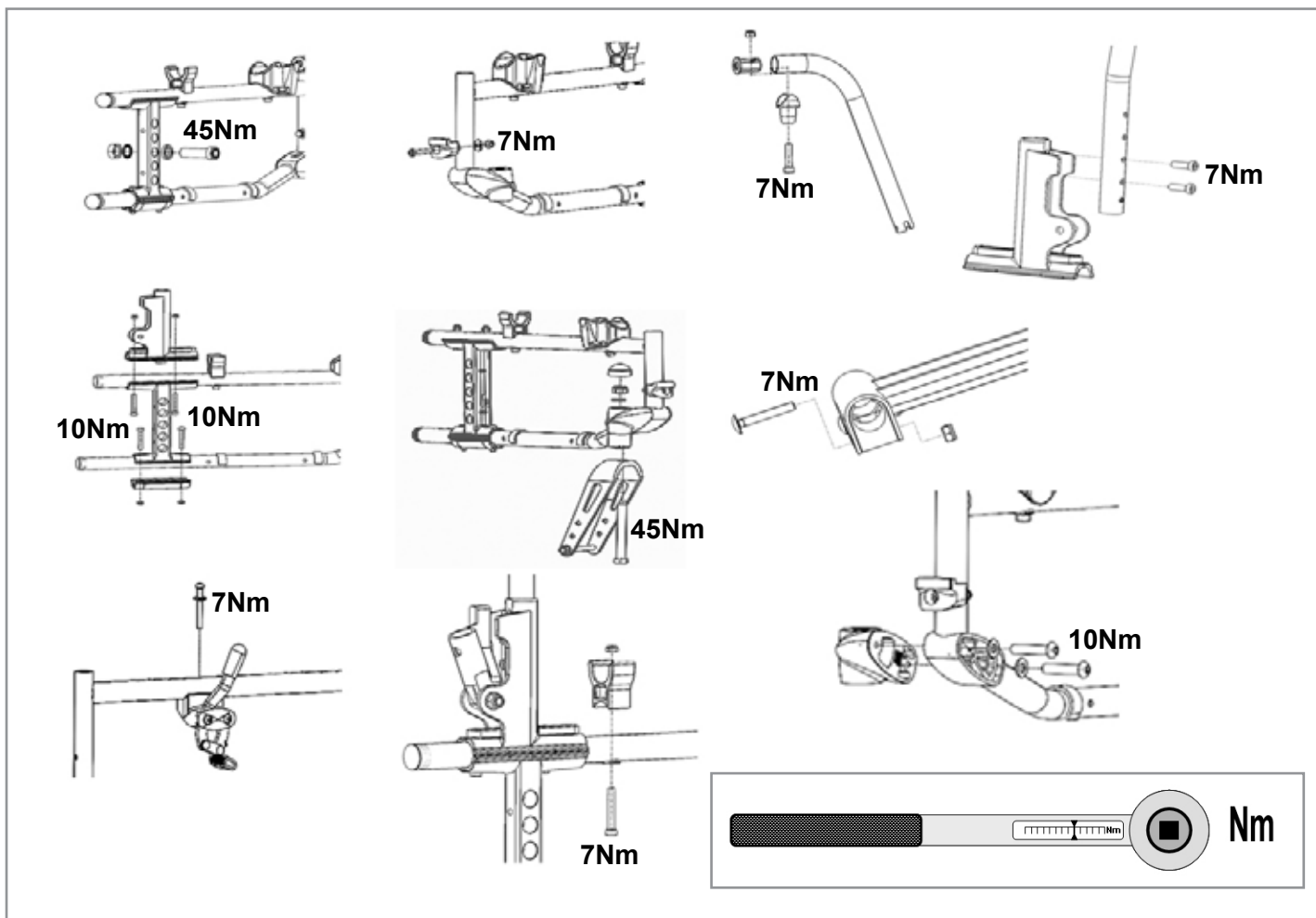
b) Požadavky na odolnost vůči vznícení podle ISO 7176-16 (EN 1021-1)

Nastavení výšky sedadla

425 mm	8"	1A	
450 mm	8"	2A	1B
480 mm	8"	3A	2B
505 mm	8"		3B
425 mm	6"	2A	1B
450 mm	6"	3A	2B
480 mm	6"		3B

400 mm	24"		1	
425 mm	24"		2	
450 mm	24"	12"	3	
475 mm	24"		4	
500 mm	24"		5	

Krouticí moment



POKUD NENÍ UVEDEN JINÝ ÚDAJ, KROUTICÍ
MOMENT PRO ŠROUBY M6 JE 7 NM.

Forord

Kære kunde,

Det glæder os meget, at De har valgt et førsteklasses produkt fra SUNRISE MEDICAL.

I denne brugervejledning kan du finde mange gode råd og idéer, som vil gøre din kørestol til en velkendt og pålidelig partner i dagligdagen.

Vi ser naturligvis helst, at du er tilfreds med vores produkter og service. Sunrise Medical arbejder konstant på at udvikle sine produkter, og der kan derfor forekomme ændringer i udvalget produkter, hvad angår udformning, teknologi og udstyr. Som følge heraf kan der ikke rejses erstatningskrav på baggrund af oplysninger eller illustrationer i denne brugervejledning.

SUNRISE MEDICALs kvalitetsstyringssystem er godkendt i henhold til DIN ISO 9001, ISO 13485 og ISO 14001.



Som producent erklærer SUNRISE MEDICAL at kørestolene overholder retningslinjerne i 93/42/EEC, med ændringer af 2007/47/EF.

Desuden overholder de kravene til ydeevne i forbindelse med "Kollisionstest" som fastlagt i ISO 7176-19

Hvis du har spørgsmål vedrørende brugen af din kørestol, vedligeholdelse eller sikkerhed, bedes du kontakte din autoriserede SUNRISE MEDICAL-forhandler.

Såfremt der ikke findes en autoriseret forhandler i dit område, eller hvis du har yderligere spørgsmål, er du velkommen til at skrive eller ringe til os:

Sunrise Medical Limited
High Street Wollaston
West Midlands DY8 4PS
England
Tel.: +44 (0) 1384446688
www.sunrisemedical.com

Skriv adresse og telefonnummer på din lokale autoriserede forhandler i feltet på denne side. I tilfælde af funktionssvigt bør du kontakte vedkommende og forsøge at give dem alle de relevante oplysninger om problemet, så de hurtigst muligt kan hjælpe dig.



VIGTIGT:
DU MÅ IKKE BRUGE KØRESTOLEN FØR DU HAR LÆST OG FORSTÅET DENNE VEJLEDNING.

Symbolforklaring



RISIKO!

Advarselsmeddelelser vedrørende mulig risiko for ulykker eller dødsfald.



ADVARSEL!

Advarselsmeddelelser vedrørende mulig risiko for ulykker.



VIGTIGT!

Advarselsmeddelelser vedrørende mulig teknisk skade.

BEMÆRK:

Oplysninger for betjening af produktet.

Indholdsfortegnelse

Generelle oplysninger om sikkerhed og kørselsbegrænsninger	175
Garanti	176
Transportmuligheder	177
Håndtering	179
Indstillinger - Tippepedaler	179
Indstillinger - Bremses	179
Indstillinger - Fodplader	180
Indstillinger - Svinghjul	180
Indstillinger - Svinghjulsadapter	180
Indstillinger - Svinghjulsadapter >>>	181
Indstillinger - Ryglæn	181
Indstillinger - Sidestykker	181
Indstillinger - Sidestykker >>>	182
Indstillinger - Antitipstøtter	182
Indstillinger - Hoftesele	182
Indstillinger - Hoftesele >>>	183
Indstillinger - Sæde	183
Indstillinger - Sædedybde	183
Indstillinger - Stokkeholder	184
Ekstraudstyr/Indstillinger - Terapibord	184
Indstillinger - Stabiliseringsstang	184
Indstillinger - Transithjul	184
Dæk og montering	185
Vedligeholdelse og rengøring	185
Fejlsøgning	185
Bortskaffelse/Genbrug af materialer	185
Tekniske data	186
Indstilling af sædehøjde	186
Tilspændingsmomenter	186

Anvendelse

Letvægtskørestole er konstrueret til at anvendes af brugere, som ikke kan gå eller er bevægelseshæmmede, og er udelukkende beregnet til deres personlige brug, såvel som inden- som udendørs på en fast og plan overflade (selvpropellerende eller skubbet af en ledsager).

Den maksimale brugervægt (som omfatter brugeren og vægten af evt. tilbehør monteret på kørestolen) er angivet på det serienummermærkat, som findes på tværrøret eller støttestangen under sædet.

Garantien gælder kun, såfremt produktet anvendes til de påtænkte formål og under de forudsætninger, der angives i denne vejledning. Kørestolens forventede levetid er 5 år. Der må IKKE anvendes eller monteres nogen form for tredjepartskomponenter på kørestolen, medmindre sådanne er officielt godkendt af Sunrise Medical.

Anvendelsesområde

De mange forskellige monteringsmuligheder samt kørestolens modulbaserede konstruktion betyder, at denne kørestol er egnet til brugere, som er gangbesværede eller bevægelseshæmmede på grund af:

- Lammelse
- Tab af lemmer (benamputering)
- Defekte lemmer/misdannelse
- Ledkontraktion/ledskader
- Sygdomme som f.eks. hjerte- eller kredsløbsproblemer, manglende balanceevne eller kakeksi. Desuden er kørestolen egnet til ældre personer, som stadig har kræfter i overkroppen.

Inden man henviser til en bestemt kørestolsmodel, bør man tage hensyn til brugerens kropsstørrelse og vægt samt personens fysiske og psykiske helbred, alder, boligforhold og omgivelser.

Generelle oplysninger om sikkerhed og kørselsbegrænsninger

Kørestolen er udviklet og konstrueret sådan, at den yder maksimal brugersikkerhed og enten opfylder eller overgår gældende internationale sikkerhedsstandarder.

Ikke desto mindre kan brugere komme til skade ved forkert brug af kørestolen. Af sikkerhedsmæssige grunde skal nedenstående regler overholdes.

Uautoriserede eller ukorrekte tilpasninger eller justeringer øger risikoen for ulykker. Som kørestolsbruger er du en del af den daglige trafik på veje og fortove, ligesom alle andre trafikanter. Derfor vil vi gerne minde dig om, at du dermed skal overholde alle gældende færdselsregler.

Vær forsigtig, når du anvender kørestolen første gang. Lær kørestolen at kende.

Følgende bør kontrolleres hver gang, inden kørestolen anvendes:

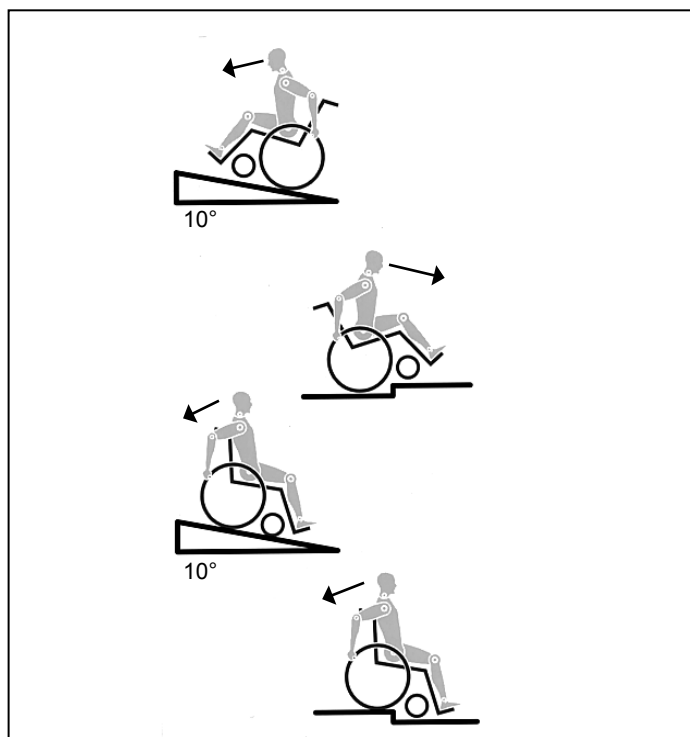
- Faste aksler eller quick-release aksler på baghjulene.
- Velcro på sæde og ryg
- Dæk, dæktryk og bremses.

Inden der foretages justeringer af kørestolen, er det vigtigt, at man læser det pågældende afsnit i brugervejledningen.

Huller i vejen eller ujævne overflader kan forårsage, at kørestolen tipper, især ved kørsel op eller ned ad bakker. Læn kroppen forover, når du kører forlæns over en trin eller op ad en skråning.

RISIKO!

- Man må **ALDRIG** overskride den maksimale belastning på 125 kg, for brugere, samt eventuelle ting, der transporteres på kørestolen. Hvis den maksimale belastning overskrides, kan dette medføre skader på kørestolen samt risiko for, at du falder ud, at kørestolen vælter, eller at du mister kontrollen, hvorved du selv og andre kan udsættes for alvorlige personskader.
- Når du færdes i mørke, bør du altid være iført lyst tøj eller tøj med reflekser, så du bedre kan ses. Sørg for, at reflekserne i hver side og bag på kørestolen er fuldt synlige.
- Det anbefales også, at du monterer en egentlig lygte på kørestolen.
- For at undgå, at kørestolen vælter, eller at der opstår andre farlige situationer, bør du altid øve dig i brugen af den nye kørestol på en jævn kørselsflade med godt udsyn.
- Undgå brug af fodpladerne ved ind- og udstigning af kørestolen.
- Fodpladerne bør slås op og svinges så langt ud til siden som muligt, inden du stiger ud eller ind. Sørg altid for at placere dig selv så tæt som muligt på det sted du ønsker at køre hen til.



- Kørestolen må kun anvendes på forsvarlig vis. F.eks. bør du altid undgå at køre ind mod eller over forhindringer (såsom trin og kantsten) uden at bremse imens, og du bør ikke køre hjulene hårdt ned i huller, mellemrum o.l.
- Bremsene er ikke beregnet til at bremse en kørestol i bevægelse. De er kun monteret for at sikre, at kørestolen ikke pludselig begynder at køre af sig selv. Når du stopper på en ujævn overflade, bør du altid bruge bremsene for at undgå, at den kører af sig selv. Slå altid begge bremses til, da kørestolen ellers kan tippe.
- Sørg for at afprøve hvad der sker, når ændringer af tyngdepunktet påvirker kørestolens balance, for eksempel på skråninger eller ved kørsel over forhindringer. Dette bør altid udføres med hjælp fra en erfaren ledsager.
- I forbindelse med indstillinger i yderposition (f.eks. hvis baghjulene sidder så langt fremme som muligt), hvor brugeren ikke har den rette kropsholdning, risikerer man, at kørestolen vælter selv på jævne kørselsflader.
- Sørg for at læne overkroppen fremad ved kørsel op ad skråninger og trin.
- Sørg for at læne overkroppen tilbage ved kørsel op ad skråninger og trin. Man må under ingen omstændigheder køre skråt (diagonalt) op eller ned ad en skråning.
- Kørestolen må ikke anvendes på rulletrapper, da dette medfører risiko for alvorlige personskader, hvis kørestolen vælter.
- Kørestolen må ikke anvendes på skråninger > 10°. Den maksimale hældningsgrad for sikker kørsel på skråninger er dynamisk, dvs. den afhænger af kørestolskonfigurationen, brugerens fysiske evner samt den måde, brugeren kører på. Eftersom brugerens fysiske evner og måde at køre på er forskellige fra person til person, kan den maksimale hældningsgrad for sikker kørsel ikke angives her. Denne hældningsgrad skal derfor fastslås af brugeren selv med hjælp fra en ledsager for at undgå, at kørestolen tipper på skråninger. Det anbefales på det kraftigste, at uerfarne brugere får monteret antitipstøtter på kørestolen.
- Huller i vejen eller ujævne overflader kan forårsage, at kørestolen tipper, især ved kørsel op eller ned ad bakker.
- Kørestolen må ikke anvendes på mudrede eller isglatte kørselsflader.
- Kørestolen må ikke anvendes på steder, hvor der ikke er adgang for fodgængere.
- For at undgå skader på hænderne bør man lade være med at gribe mellem egerne eller mellem baghjulet og bremsen, mens kørestolen er i bevægelse.
- Især ved brug af drivringe i letvægtsmetal er der risiko for, at man brænder fingrene ved hårde opbremsninger, eller når der bremses på lange skråninger.
- Kørsel på trapper bør kun ske med hjælp fra en ledsager. Der findes særligt udstyr til hjælp med f.eks. kørsel på ramper eller af og på kørestolslifte, og dette bør anvendes videst muligt. Hvis der ikke er egnet udstyr til rådighed, skal kørestolen tippes bagover og skubbes - men aldrig bæres - hen over forhindringen (dette kræver 2 ledsagere). Vi anbefaler at brugere, som vejer mere end 100 kg ikke køres på denne måde. Normalt bør enhver form for antitipstøtter, som er monteret på kørestolen, indstilles forud for forcering af trin o.l., så støtterne ikke kan komme i kontakt med forhindringen. I modsat fald risikerer man at komme alvorligt til skade, hvis kørestolen vælter. Efter forceringen skal antitipstøtterne indstilles, så de sidder i den rette position igen.
- Sørg for, at ledsageren kun holder i kørestolen ved hjælp af de dele, der sidder forsvarligt fast. Der må ikke bruges aftagelige dele (dvs. ikke på fodstøtterne eller sidestykkerne).

RISIKO!

- Når man anvender kørestolslift, skal man sørge for, at eventuelle påmonterede antitipstøtter er placeret, så de ikke rager ud over platformen.
- Hvis man holder på en ujævn overflade eller ved overførsel til og fra kørestolen (f.eks. ind og ud af en bil), skal bremserne altid slås til for at sikre, at kørestolen holder helt stille.
- Ved transport i et køretøj udstyret specielt til handicapbrug skal passagererne for så vidt muligt altid bruge de fastmonterede sæder og forsvarlige sikkerhedsseler i køretøjet. Det er kun ved at følge denne metode, at man kan sikre passagerernes bedst mulige beskyttelse i tilfælde af biluheld.
- Afhængigt af svinghulenes diameter og indstilling samt kørestolens tyngdepunkt kan det forekomme, at svinghulene begynder at slingre ved høje hastigheder. Dermed risikerer man, at svinghulene blokeres, og at kørestolen tipper forover. Sørg derfor for, at svinghulene er justeret korrekt (se kapitlet "Svinghjul").
- Det er desuden særligt vigtigt, at man altid sørger for at bremse og køre med nedsat hastighed under kørsel på skråninger. Det anbefales desuden, at uerfarne brugere anvender antitipstøtter.
- Antitipstøtter monteres for at forhindre, at kørestolen tipper bagover, uden at man har kontrol over den. De bør dog under ingen omstændigheder anvendes i stedet for transithjul eller ved transport af en passager i en kørestol, hvor baghjulene er afmonteret.
- Når du rækker ud efter noget (hvad enten det befinder sig foran, ved siden af eller bag ved kørestolen), skal du altid sørge for, at du ikke læner dig for langt ud, idet en eventuel ændring af tyngdepunktet medfører risiko for, at kørestolen tipper eller vælter. Hvis der hænges ekstra vægt (f.eks. en rygsæk el. lign.) på kørestolens ryglænsrør, kan dette påvirke kørestolens stabilitet bagtil. Det gælder især, hvis kørestolen anvendes i kombination med ryglæn med tilbagelæning. Den ekstra vægt kan få kørestolen til at tippe bagover med risiko for personskade.
- Hvis brugerens ben er amputeret ved låret, skal der anvendes antitipstøtter.
- Se efter, om dæktrykket er korrekt, inden du begynder at køre. I baghjul bør det være mindst 3,5 bar (350 kPa). Det maksimale tryk er angivet på dækket. Knæledsbremserne fungerer kun, hvis der er tilstrækkelig højt dæktryk, og indstillingerne er udført korrekt (se kapitlet "Bremsen").
- Hvis sædet og rygpolestringen er beskadiget, skal de udskiftes med det samme.
- Vær ekstra forsigtig i nærheden af åben ild, især glødende cigaretter. Sædet og rygpolestringen er fremstillet af materialer, som let kan antændes.
- Hvis kørestolen udsættes for direkte sollys/kolde temperaturer gennem længere tid, kan kørestolens dele (f. eks. stel, benstøtter, bremsen og sidestykke) blive meget varme (>41°C) / meget varme (<0°).
- Hvis de er monterede, skal det sikres at quick-release akslerne på baghjulene er låst forsvarligt fast (låsens kuglelejer kan ses helt gennem akselbøsningen). Hvis knappen på quick-release-akslen ikke er trykket ind, kan baghjulet ikke tages af.

VIGTIGT!

- Knæledsbremsernes funktion såvel som de generelle køreegenskaber afhænger af dæktrykket. Kørestolen føles betydeligt lettere og er nemmere at manøvrere, når baghjulene er pumpet ordentligt op, og der er samme dæktryk i begge hjul.
- Sørg for, at der er slidbanemønster nok på alle dækkene!
- Husk, at du til enhver tid skal overholde de gældende færdselsregler, når du færdes i offentlig trafik.
- Pas altid på når du håndterer eller justerer kørestolen!
- Justering, som kræver værktøjer, skal altid foretages af autoriserede forhandlere.
- Rengør kørestolen regelmæssigt for at undgå rust og salttætning.

- Kontroller nitterne, møtrikkerne og bolte for at sørge for at de er stramme, og at ingen af kørestolens dele bliver løse.

VIGTIGT!

- Som for alle bevægende dele, er der en naturlig risiko for at fingrene kommer i klemme. Du bedes håndtere den med forsigtighed.
- De kørestole, der er vist og beskrevet i denne brugervejledning, er muligvis ikke nøjagtigt magen til din egen model. Dog er alle vejledninger stadig fuldt ud relevante uanset de forskellige detaljer, der måtte være.
- Producenten forbeholder sig ret til at ændre enhver form for vægtangivelser, mål eller andre tekniske data indeholdt i denne vejledning uden forudgående varsel. Alle tal, mål og kapaciteter vist i denne vejledning er omtrentlige og udgør altså ikke tekniske specifikationer.

Brugstid

Den forventede brugstid er 5 år, på betingelse af: At den udelukkende bruges til det tilsigtede formål alle service og vedligeholdelseskrav overholdes.

Garanti

GARANTI

DETTE BERØRER PÅ INGEN MÅDE DINE LOVMÆSSIGE RETTIGHEDER.

Garantibetingelser

1) Reparation eller udskiftning skal foretages af en autoriseret Sunrise Medical forhandler/serviceagent.

2) For at garantibetingelserne kan tages i anvendes, hvis dit produkt får behov for opmærksomhed ifølge disse arrangementer, skal du straks meddele den anviste Sunrise Medical-serviceagent, og give fuldstændige oplysninger om problemets beskaffenhed. Hvis du anvender produktet på et sted hvor der ikke findes en anvist Sunrise Medical serviceagent i nærheden, bliver arbejdet ifølge "Garantibetingelserne" udført af en anden serviceagent, som er anvist af producenten.

3) Hvis en del af kørestolen har brug for reparation eller udskiftning på grund af en specifik produktions- eller materialefejl indenfor 24 måneder (5 år på stellet og tværbøjle), fra den dato hvor produktet blev overført til den originale køber, og på betingelse af at den forbliver i dette ejerskab, bliver delen eller delene repareret eller udskiftet gratis. Hvis den returneres til den autoriserede serviceagent. Bemærk: Denne garanti må ikke overdrages.

4) Enhver repareret eller udskiftet del dækkes af ovenstående bestemmelser inden for kørestolens resterende garantiperiode.

5) Dele, som udskiftes efter den oprindelige garantis udløb, dækkes i yderligere tolv måneder.

6) Dele, som nedslides løbende, dækkes almindeligvis ikke i løbet af den normale garantiperiode, medmindre sådanne dele tydeligvis har været udsat for unødvendig slitage som direkte følge af en oprindelig fabriktionsfejl. Disse dele omfatter bl.a. betræk, dæk, slanger og lignende.

7) Ovenstående garantibetingelser gælder for alle produktdele på modeller købt til fuld detailpris.

8) Intet ansvar bliver under nogen omstændigheder accepteret, hvis produktet har krævet reparation eller udskiftning som et direkte resultat af:

- a) Produktet eller delen ikke er vedligeholdt eller serviceret i henhold til producentens anbefalinger, som angivet i brugervejledningen og/eller servicemanualen. Hvis der ikke kun er brugt de angivne originale udstyrsdele.
- b) Produktet eller delen er blevet beskadiget på grund af misligholdelse, uelt eller uheldigt brug.
- c) Produktet eller delen er blevet ændret i modstrid med producentens specifikationer, eller der er gjort forsøg på at foretage reparationer, inden serviceagenten er blevet meddelt om dette.
- d) Hvis produktet er har korrosion på grund af forkert vedligeholdelse

Transportmuligheder

RISIKO!

Hvis dette påbud ikke overholdes, er der risiko for alvorlige personskader eller livsfare!

Transport af kørestolen i et køretøj:

En kørestol, der er fastspændt i et køretøj, giver ikke samme sikkerhed og beskyttelse under transporten, som hvis man bruger køretøjets faste sæder og sikkerhedsseler. Det anbefales altid, at brugeren flyttes over i køretøjets faste sæder. Vi erkender imidlertid, at det ikke altid er praktisk muligt at flytte brugeren. Under sådanne omstændigheder, hvor det er nødvendigt, at brugeren transporteres siddende i kørestolen, skal følgende råd overholdes nøje:

1. Sørg for at få bekræftet, om køretøjet er monteret med det rette udstyr til transport af en passager i kørestol, og om ind- og udgangsforholdene passer til den type kørestol, du anvender. Køretøjets bund skal være kraftig nok til at bære den samlede vægt af brugeren, kørestolen og evt. tilbehør.

2. Der bør være plads nok rundt om kørestolen til, at man let kan komme til at fastgøre, stramme og løsne såvel bESPændingssystemet som sikkerhedsselerne.

3. Med brugeren siddende i kørestolen skal den placeres i kørselsretningen og fastspændes ved hjælp af kørestolsbESPænding samt et sikkerhedssesystem til brugeren (hvor både fastspændings- og sikkerhedssesystemet opfylder kravene i ISO 10542 eller SAE J2249) i henhold til producentens vejledning for brugen af pågældende systemer.

4. Kørestolen er ikke afprøvet til at placeres i andre retninger i et køretøj, og den må derfor under ingen omstændigheder transporteres i sidelæns retning (Fig. A).

5. Kørestolen skal spændes fast ved hjælp af et 4-punktssystem til kørestolsbESPænding, som opfylder kravene i ISO 10542 eller SAE J2249. Disse systemer omfatter ikke-justerbare remme foran og justerbare remme bagpå, som normalt fastgøres ved hjælp af karabinhager eller S-kroge samt spænder med han- og hun-dele. Disse bESPændingssystemer består normalt af 4 individuelle remme, som fastgøres til hvert hjørne af kørestolen.

6. Fastspændingsremmene bør monteres på selve kørestolsstellet som illustreret på næste side og må altså ikke føres rundt om påmonterede dele eller tilbehør såsom hjulenes eger, bremserne eller fodstøtterne.

7. Fastspændingsremmene bør monteres så nær ved en 45° vinkel som muligt og derefter spændes forsvarligt i henhold til producentens vejledning.

8. Der må ikke udføres ændringer eller udskiftninger af kørestolens fastspændingspunkter, konstruktionsmæssige komponenter eller steldele uden forudgående henvendelse til producenten. I modsat fald kan en Sunrise Medical-kørestol ikke længere betragtes som egnet til transport i et køretøj.

9. Kørestolsbrugeren skal fastspændes med såvel hofte- som skulderseler. Dermed nedsættes risikoen for, at vedkommende slår hovedet eller brystkassen mod andre dele af køretøjet samt risikoen for andre alvorlige skader på brugeren og andre personer i køretøjet. (Fig. B) Skulderselen skal monteres på B-søjlen i køretøjet - i modsat fald udsættes brugeren for øget risiko for alvorlige skader på underlivet.

10. En nakkestøtte, som er egnet til transport (oplysninger om dette findes på nakkestøttens mærkat) skal være monteret og hensigtsmæssigt indstillet under transporten.

11. Udstyr beregnet til kropsstøtte (f.eks. hofteremme eller hofteseler) må ikke bruges til fastspænding i køretøjet og må især ikke anvendes som den eneste form for fastspænding af kørestolsbrugeren under transport i et køretøj, medmindre udstyret er godkendt og mærket i henhold til ISO 7176-19:2001 eller SAE J2249.

12. Kørestolsbrugers sikkerhed under transporten afhænger af, hvor omhyggeligt arbejdet udføres af den person, der er ansvarlig for at fastgøre kørestolsbESPændingen, og de skal have modtaget relevante instruktioner og/eller træning om anvendelsen.

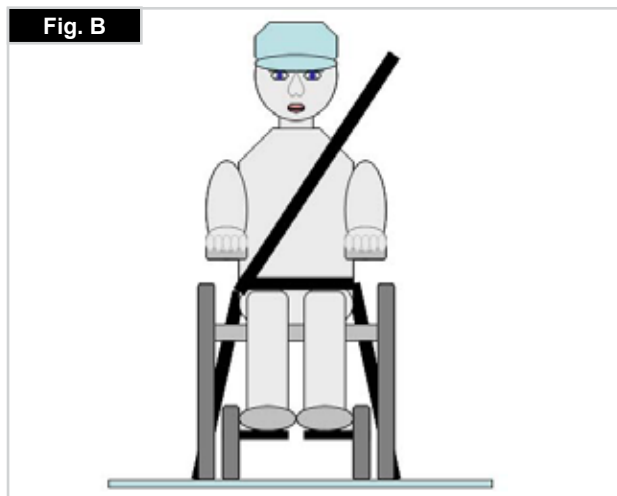
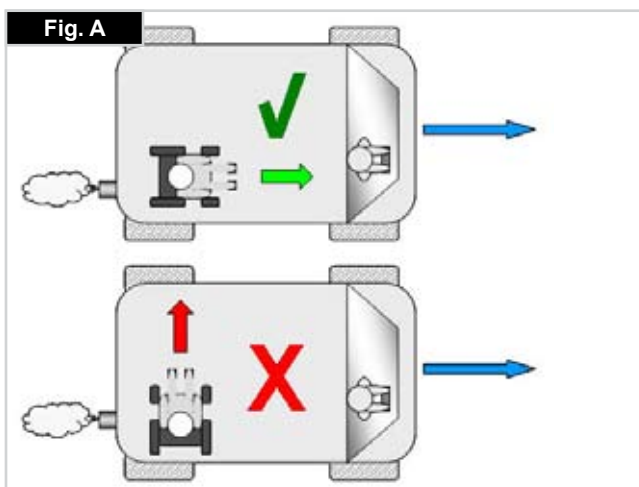
13. Man bør for så vidt muligt afmontere alt hjælpeudstyr fra kørestolen og opbevare det på sikker afstand af kørestolen, f.eks.: stokke, løse puder og og bordplader.

14. Benstøtter med hævefunktion eller leddelt indstilling bør ikke anvendes i hævet position under transport af kørestol og bruger, hvis der samtidig anvendes kørestolsbESPænding samt et sikkerhedssesystem til fastspænding af kørestolsbrugeren.

15. Ryglæn med tilbagelæning bør indstilles i opretstående position.

16. De manuelle bremser skal slås til, så de griber forsvarligt fast i dækkene.

17. Sikkerhedsseler skal monteres på B-søjlen i køretøjet. Pas på, at selen ikke holdes væk fra kroppen på grund af kørestolskomponenter såsom armlæn eller hjul, der kan sidde i vejen for selen.



Transportmuligheder >>>

VEJLEDNING I FASTSPÆNDING AF KØRESTOLSBRUGEREN

1. Hofteselen skal bæres lavt hen over den forreste del af bækkenet, så hofteleens vinkel ligger inden for det optimale område på 30-75° i forhold til vandret.

Ideelt bør man forsøge at opnå en mere skråtstillet (dvs. større) vinkel inden for det optimale område, dvs. tæt på, men aldrig større end 75°. (Fig. C)

2. Skuldreselen skal sidde korrekt ned over skulderen og skråt hen over brystkassen som vist på billedet (Fig. D og E). Sikkerhedsseleer skal strammes så meget, som det kan lade sig gøre uden at føles ubehageligt for brugeren. Sikkerhedsseleernes remme må ikke være snoet under brugeren. Skuldreselen skal sidde korrekt ned over skulderen og skråt hen over brystkassen som vist på billedet (Fig. D og E).

3. Kørestolens fastgøringspunkter findes på den indre del af det forreste stel, lige over svinghjulet og det bageste sidestel. Selerne monteres rundt om sidestellene på det punkt, hvor de vandrette og lodrette stelrør krydser hinanden. (Se Fig. G - K)

4. Symbolet for fastgøring (Fig. F) på kørestolsstellet viser, hvor fastspændingsremmene skal placeres. Remmene skal strammes efter, når de forreste remme er monteret for at holde kørestolen på plads.

Fig. C

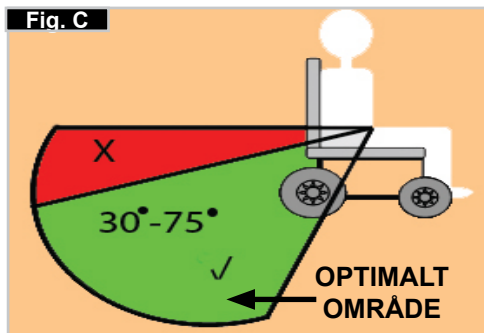


Fig. D

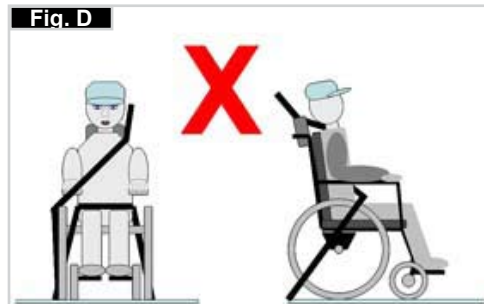


Fig. E

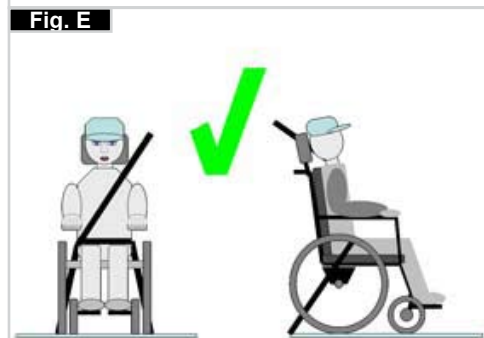


Fig. F



FASTSPÆNDINGSREMMEENS PLACERING PÅ KØRESTOLEN:

1. Placering af de forreste og bageste fastgøringsmærkater (Fig. G-H-I).
2. Placering af kørestolens forreste (Fig. G) og bageste (Fig. H-I) fastgøringssele og fastgøringsmærkat.
3. Fastgøringsstopperne set fra siden, (Fig. J).

Fig. G

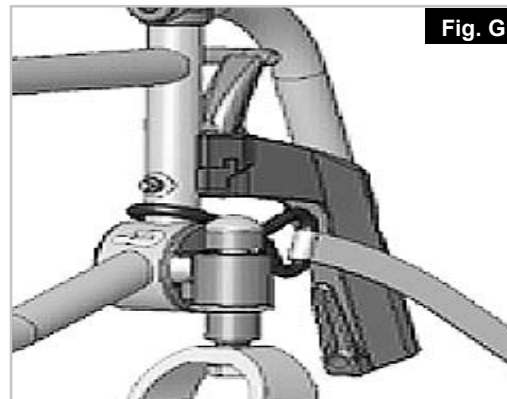


Fig. H

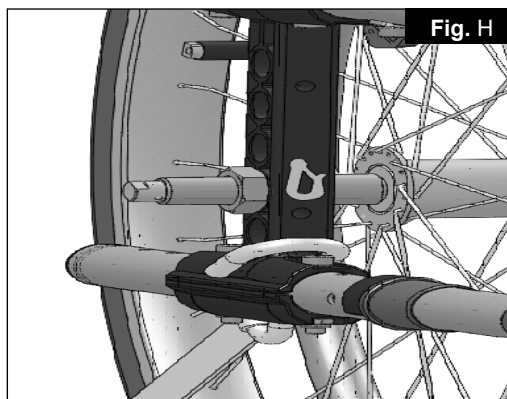


Fig. I

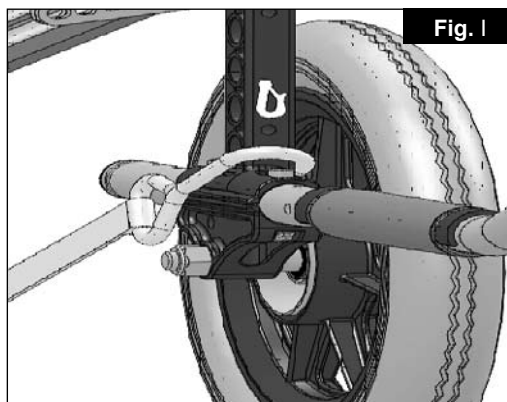


Fig. J



Håndtering

SÅDAN FOLDES KØRESTOLEN SAMMEN

Fjern først sædepudden og det faste ryglæn fra kørestolen, og løft (platformen) fodpladen eller de individuelle fodstøtter op. Tag fat bagfra i den midterste del af sædepolstringen eller sæderørene, og træk dem opad. Derefter bliver kørestolen foldet sammen. Hvis kørestolen skal foldes sammen, så den fylder mindst muligt, f.eks. så den kan være i en bil, kan fodstøtterne også tages af (afhængigt af den enkelte model). I så fald skal man åbne låseklemmen udefra og dreje fodstøtten til side. Derefter trækkes fodstøtten ganske enkelt ud af holderen (Fig. 1).

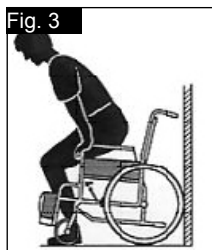


SÅDAN FOLDES KØRESTOLEN UD

Tryk ned på sæderøret (se figuren).

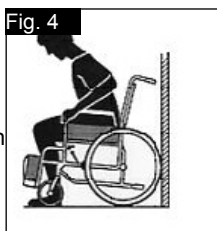
SÅDAN SÆTTER DU DIG I KØRESTOLEN UDEN HJÆLP (FIG. 3)

- Kørestolen skal skubbes op imod en væg eller et fast stykke møbel;
- Bremsene skal være slået til;
- Fodpladen skal være låst fast;
- Brugeren kan nu sænke sig selv ned i kørestolen;
- Fodpladerne skal derefter skubbes ned, og fødderne skal hvile på dem foran hælstropperne.



SÅDAN REJSER DU DIG FRA KØRESTOLEN UDEN HJÆLP (FIG. 4)

- Bremsene skal være slået til;
- De låste fodplader skal være låst fast;
- Med en hånd på hvert armlæn, skal personen bøje sig en smule fremad for at bringe kropsvægten foran sædet, og med begge fødder fast på jorden, og den ene fod et godt stykke tilbage, skub den ind i opretstående position.



⚠ ADVARSEL!

- Når du er i stående position, må du ikke stå på fodpladerne, da kørestolen ellers tipper forover. Det er lettere og mere forsvarligt at sætte dig i kørestolen, hvis du vender fodpladerne op og ud af vejen, eller hvis du tager dem af kørestolen.
- Du skal altid sætte hjulbremsene i indgreb når du stiger ind eller ud af kørestolen.

Indstillinger - Tippepedaler

TIPPEPEDALER

Tippepedaler bruges af ledsagere til at en kørestol over en forhindring. Der skal simpelthen trædes på røret for at skubbe kørestolen, for eksempel over en kansten eller et trin (Fig. 5).



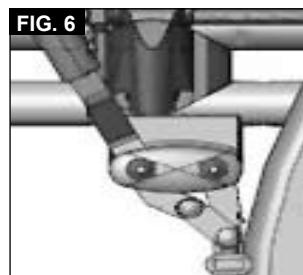
⚠ VIGTIGT!

Sunrise Medical anbefaler kraftigt at tippepedalen bruges ved transport af kørende modeller, og også på alle modeller hvor ledsageren er den fremherskende tilsigtede brug, da der kan opstå skade af ryglænsrør, hvis du trækker dem tilbage for at tippe kørestolen, ved kørsel over forhindringer.

Indstillinger - Brems

BREMSE

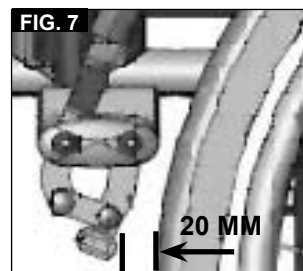
Din kørestol er udstyret med to sæt brems. De aktiveres med direkte kontakt til dækkene. Bremsene aktiveres ved at skubbe begge bremsehåndtag fremad. Bremsene frigøres ved at skubbe bremsehåndtagene tilbage til udgangspositionen.



Følgende medfører nedsat bremsefunktion:

- Slidte dæk
- For lavt dæktryk
- Våde dæk
- Forkert indstilling af bremsene

Bremsene er ikke beregnet til at bremse en kørestol i bevægelse. Bremsene må derfor aldrig bruges til at bremse kørestolen, mens den er i bevægelse. Brug altid drivringene til at bremse kørestolen. Sørg for, at afstanden mellem bremsene og dækkene overholder de angivne mål. Afstanden justeres ved at løsne skruen, hvorefter den passende afstand kan indstilles. Spænd derefter skruen (Fig. 6-7).



⚠ VIGTIGT!

Efter justering af baghjulene bør afstanden til bremsene kontrolleres og om nødvendigt justeres.

Hvis bremsen monteres for tæt på hjulet, bliver kørestolen sværere at betjene. Dette kan medføre, at forlængeren til bremsehåndtaget knækker!

Hvis brugeren overbelastet forlængeren ved at støtte sig til den, vil håndtaget knække! Vandsprøjt fra dækkene kan medføre nedsat bremseeffekt.

TROMLEBREMSE

Tromlebremser gør det muligt for en ledsager at bremse sikkert og bekvemt. De kan også aktiveres ved hjælp af et bremsehåndtag (1) for at forhindre, at kørestolen kører af sig selv. Det skal kunne høres, når bremsehåndtaget klikker på plads. Tromlebremsernes funktion er ikke afhængig af lufttrykket i dækkene. Kørestolen kan ikke skubbes, når tromlebremserne er aktiveret (Fig. 8).



⚠ VIGTIGT!

Tromlebremserne bør kun justeres af autoriserede forhandlere.

Indstillinger - Fodplader

FODPLADER:

Fodpladerne kan løftes ud for at gøre det lettere at stige ud/sætte sig ind i stolen.

Underbenslængde:

For brugere med lange ben kan benstøtten sænkes til en passende højde ved hjælp af skrue (1). Skrue løsnes, og rørene rykkes, til benstøtten har den ønskede højde, hvorefter skrue spændes igen (se siden vedrørende tilspændingsmomenter).

Der skal altid være mindst 2,5 cm fri luft mellem fodpladerne og kørselsfladen (Fig. 9).

Vinkeljusterbar fodplade

Dette kan justeres for at ændre vinklen til overfladen. Skruen løsnes, og fodpladen trækkes indad, indstilles i den ønskede vinkel og skubbes på plads. Når justeringen er foretaget, spændes skruen forsvarligt fast igen.

Efter justeringen, skal det sikres at alle skrue er strammet korrekt (se siden vedr. tilspændingsmoment). Sørg for at bevare en minimal afstand til gulvet (2,5 cm) (Fig. 10).

⚠ VIGTIGT!

- Benstøtterne må ikke bruges til at løfte eller bære kørestolen.
- Undgå brug af fodpladerne ved ind- og udstigning af kørestolen. Disse skal løftes op på forhånd, eller fodstøtten skal svinges så langt som muligt udad.

BENSTØTTENS HÆVEFUNKTION

(Fig. 11-13)

For at fjerne den, træk stangen (1), sving fodpladen udad og løft derefter benstøtten ud.

HØJDEJUSTERING:

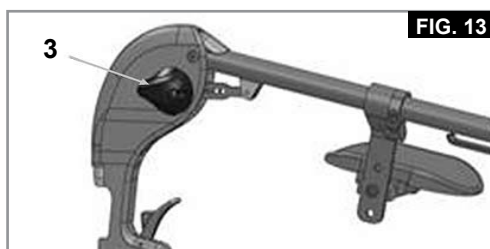
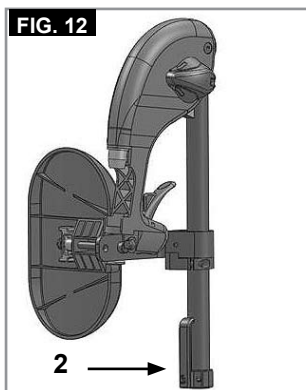
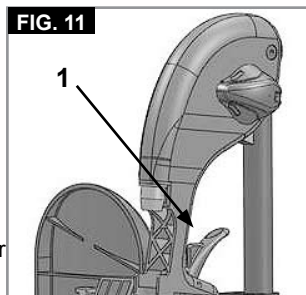
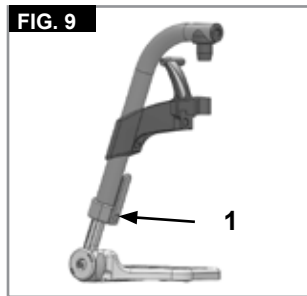
Underbenslængden kan justeres uendeligt ved at udløse skruen (2). Juster den passende højde og spænd skruen igen.

⚠ VIGTIGT!

Afstanden mellem fodpladen og overfladen skal mindst være 40 mm.

VINKELJUSTERING:

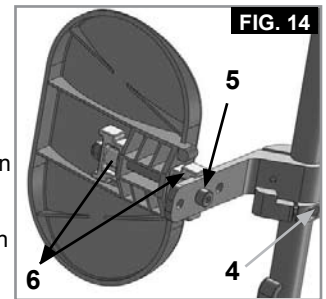
Tryk stangen (3) nedad med en hånd mens du støtter benstøtten med den anden hånd for at lette belastningen. Når du har opnået en passende vinkel, slip stangen, hvorefter benstøtten bliver låst fast i en af de forindstillede positioner.



JUSTERING AF LÆGPUDEN

(Fig. 14).

Lægpudden kan justeres som følger:
Højde: Åbn bolt (4) og flyt spændestykket til den ønskede position. Hvis spændestykket drejes, kan vinklen også justeres.
Dybde: Åbn bolt (5) og flyt lægpuden til den ønskede position.
Bredde: Åbn bolt (5) og placer afstandsstykkerne (6) bagved puden for at få den ønskede position.



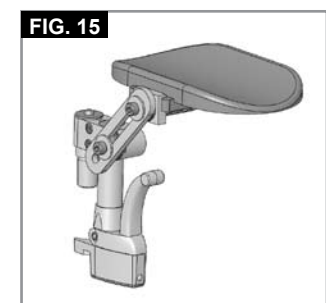
⚠ ADVARSEL!

- Hold hænderne væk fra den justerbare mekanisme mellem stellet og fodstøttens bevægelige dele, mens du løfter eller sænker fodstøtten.
- Sørg altid for at fastspændingerne er forsvarligt fastspændte.
- Fodstøtterne må ikke bruges til at løfte eller bære kørestolen.
- Pas på fingrene! Når fodstøtten flyttes op eller ned, må du ikke sætte dine fingre i justeringsmekanismen mellem fodstøttens bevægende dele.

STØTTE FOR BENAMPUTEREDE

(Fig. 15).

Støtten for benamputerede kan justeres i alle retninger efter behov.



Indstillinger - Svinghjul

SVINGHJUL, SVINGHJULSOPHÆNG, FORGAFLER

Det kan ske, at kørestolen trækker en anelse mod højre eller venstre, eller at svinghjulene slingrer. Dette kan skyldes følgende:

- Hjulenes forlæns og/eller baglæns bevægelse er ikke indstillet korrekt.
- Svinghjulsvinklen er ikke indstillet korrekt.
- Svinghjulene og/eller baghjulene har forkert dæktryk; hjulene drejer ikke, som de skal.

Kørestolen kan ikke køre ligeud, hvis svinghjulene ikke er justeret korrekt. Svinghjulene bør altid justeres af en autoriseret forhandler. Bremsene skal kontrolleres hver gang baghjulets position er blevet ændret.

Indstillinger – Svinghjulsadapter

Sædehøjden afgøres af svinghjulets og baghjulets position. Sædehøjden kan justeres ved at ændre baghjulets og svinghjulets position ved hjælp af afstandsstykkerne.

⚠ VIGTIGT!

Når sædehøjden er justeret, skal alle skrue strammes igen, og bremsen skal justeres igen.



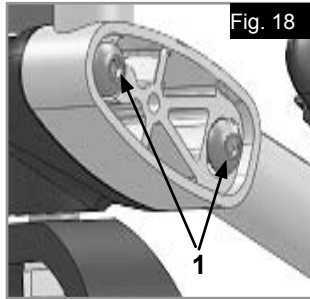
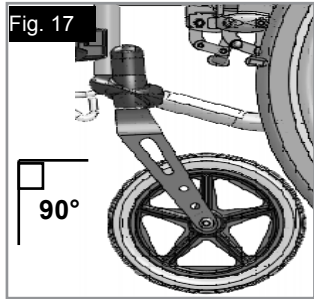
Indstillinger – Svinghjulsadapter >>>

BEMÆRK:

Svinghjulsakslens vinkel kan justeres ved, at man ændrer på svinghjulets/baghjulets position. Vinklen bør altid være ca. 90°.

JUSTERING AF SVINGHJULSAKSLENS VINKEL:

Skruerne (1) løsnes. Svinghjulsadapteren trækkes udad og indstilles i en 90°-vinkel, hvorefter skruerne spændes igen (Fig. 17-18).



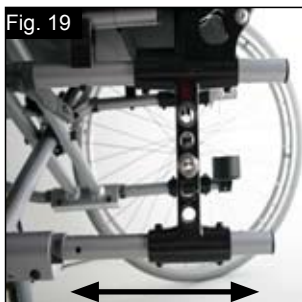
⚠ VIGTIGT!

Svinghjulsakslens vinkel skal være indstillet ens i begge sider af kørestolen (kontrollér dette ved at markere indstillingerne).

VANDRET AKSELPOSITION

Akselpladen kan justeres, så den sidder længere fremme for at give større manøvrerdygtighed eller længere bagud for at give øget stabilitet (Fig. 19).

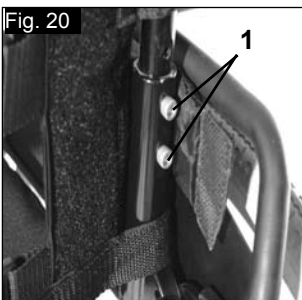
Jo større hjulafstanden er, desto større er du sikker på at din kørestol



Indstillinger - Ryglæn

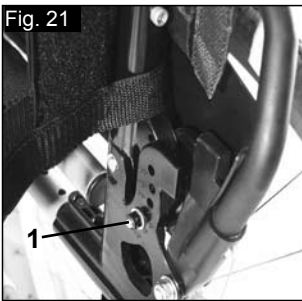
HØJDEJUSTERBART RYGLÆN

Ryglænets højde kan indstilles til 2 eller 3 forskellige positioner (afhængigt af modellen) (41 cm, 43,5 cm og 46 cm). Udløs og fjern boltene (1)+(2), og skub ryglænsrøret til den ønskede position. Derefter spændes boltene igen (Fig. 20).



VINKELJUSTERBART RYGLÆN

Ryglænsvinklen kan indstilles i 6 forskellige positioner (-5° fremad samt 0°, 5°, 10°, 15° og 20° bagud). Justeringen udføres ved, at skruen (1) fjernes, ryglænet indstilles i den ønskede vinkel, og skruen spændes igen (Fig. 21).



VINKELJUSTERBART RYGLÆN (7° - 30°)

Du kan udløse ryglænet og derefter placere det i den ønskede position ved at trække i begge greb (1) samtidig.

Når du giver slip på de to greb (1), låses ryglænet automatisk på plads (Fig. 22).



⚠ VIGTIGT!

- Det anbefales at det vinkeljusterbare ryglæn bruges i forbindelse med kørestolens forlænger.
- Det anbefales at det vinkeljusterbare ryglæn bruges i forbindelse med antitiprørene (maksimal frihøjde 3 - 5 cm).
- Vi anbefaler at det vinkeljusterbare ryglæn bruges i forbindelse med en stabiliseringsstang.

HALV TILBAGEFOLDNING

Udfoldning af ryglænet: For at placere ryglænet i opretstående position, skub håndtagene opad og fremad indtil de bliver fastlåses.

⚠ ADVARSEL!

Hold fingrene og andre genstande væk fra folde mekanismen når ryglænet bliver foldet ned for at hindre ulykker eller skade af ejendelene.



Nedfælning af ryglænet:

Ryglænet kan nedfældes for at gøre opbevaring af kørestolen lettere.

⚠ VIGTIGT!

Den må ikke betjenes under belastning, da dette kan få stangen til at knække.

For at nedfælde ryglænet, skal du stå bagved kørestolen, og trykke på de to små stænger (Fig. 23 - 24) der findes på hver side af ryglænet (lige over armlænene). Fold ryglænet ned.



JUSTERBAR RYGPOLSTRING

Rygpolstringen kan gøres mere eller mindre stram ved at justere flere remme ad gangen (Fig. 25).

⚠ VIGTIGT!

Der må ikke trækkes for meget i spændebæltet, da dette eller kan forstyrre stolens nedfældningsmekanisme.



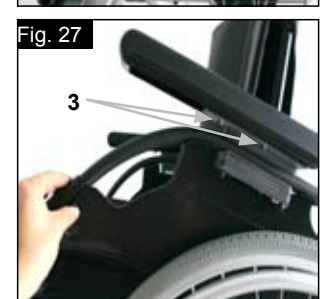
Indstillinger – Sidestykker

STANDARD SIDESTYKKE, KAN SLÅS OP, AFTAGELIGT MED KORTE ELLER LANGE ARMLÆN

Sidestykkerne forreste kanter er afrundet, så du lettere kan køre helt hen til et bord. Ved tryk på håndtaget (1) udløses sidestykket, så armlænet kan slås op (Fig. 26 + 27).



Armlænets højde (2) kan justeres ved at montere afstandsbeslaget i forskellige positioner. Det gør man ved at løsne skruerne og rykke afstandsbeslaget, hvorefter skruerne spændes igen. Armlænets længde kan justeres ved at udløse skruerne (3), og derefter flytte armlænet til den ønskede position og spænde skruerne igen (Fig. 27).



Indstillinger – Sidestykker >>>

⚠ VIGTIGT!

Hverken sidestykkerne eller armlænene må bruges til at løfte eller bære kørestolen i.

⚠ VIGTIGT!

Pas på dine fingre når du justerer armpudens højde.

SIDESTYKKE, KAN SLÅS OP, AFTAGELIGT MED KORTE ELLER LANGE ARMLÆN, HØJDEJUSTERBART

Armlænets højde kan justeres på følgende måde:

Skub håndtaget nedad, og ryk armlænet, til det har den ønskede højde.

Giv slip på håndtaget, og tryk ned på armlænet, indtil det glider på plads med et klik. Kontroller altid om side stykkerne sidder korrekt på plads.

Ved tryk på håndtaget (1) udløses sidestykket, så armlænet kan slås op.



Armlænets længde kan justeres ved at udløse skruerne (2) og derefter skubbe armlænet til den ønskede position og spænde skruerne igen (Fig. 28).

⚠ VIGTIGT!

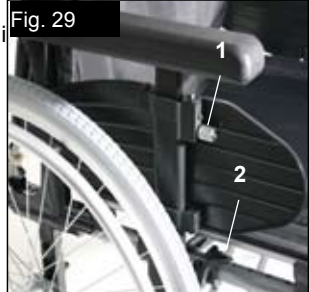
Hverken sidestykkerne eller armlænene må bruges til at løfte eller bære kørestolen i.

⚠ VIGTIGT!

Når der anvendes 24"-baghjul, skal armlænsputen rykkes ét trin op.

ARMLÆN MED ENKELT JUSTERINGSHØJDE

Højden justeres ved, at man trækker håndtaget (1) og rykker armlænet, til det har den ønskede højde. Sørg altid for, at håndtaget (1) låses fast i udgangspositionen igen efter udført justering. Armlænet kan også tages helt af på denne måde.



Hvis sidestykket skal tages helt af, skal håndtaget (2) skubbes nedad. Ved montering af sidestykket skal man håndtaget (2) ligeledes skubbes nedad.

Indstillinger – Antitipstøtter

Sørg altid for, at sidestykket låses forsvarligt på plads i holderen (Fig. 29).

ANTITIPSTØTTER

Antitipstøtterne giver yderligere sikkerhed for uerfarne brugere, når de er ved at lære, hvordan kørestolen betjenes. Støtterne forhindrer, at kørestolen tipper bagover og vælter. Antitip støtten skal sættes ind i stellet's rør, indtil den første af de to fjederknapper går ind i stelrørets første hul, (Fig. 30).



⚠ ADVARSEL!

Hvis antitipstøtterne monteres forkert, vil forøge risikoen for at der vippes bagud. Du skal svinge antitipstøtterne op eller ned af store forhindringer (f.eks. en kantsten), for at hindre dem fra at røre underlaget, og derefter dreje dem tilbage til den normale position.

BEMÆRK: Du må ikke indsætte begge antitipstøtters knapper ind i stelrøret, da denne kan skade antitipstøtten og forårsage tab af ydeevne. Ved at trykke på den anden eksponerede udløserknapp, kan sikkerhedshjulene sættes opad eller fjernes. Der skal altid være 3-5 cm afstand mellem antitipstøtten og kørselsfladen. Støttehjulene skal altid drejes opad ved kørsel op og ned ad større forhindringer (f.eks. en kantsten) for at undgå, at de støder mod kørselsfladen. Derefter drejes støttehjulene på plads i den normale position igen (Fig. 30).

⚠ ADVARSEL!

Hvis antitipstøtterne indstilles forkert, vil det forøge risikoen for at De vælger bagud.

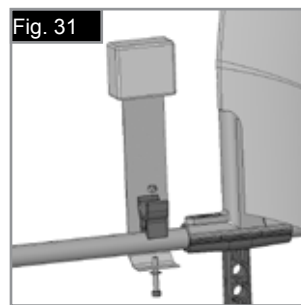
Indstillinger – Hoftesele

⚠ ADVARSEL!

Inden du bruger kørestolen, skal du sikre dig, at hofteselen er forsvarligt fastspændt og justeret korrekt.

Hofteselen monteres på kørestolen som vist på billedet. Selen består af to dele. Hver del monteres ved hjælp af den låsebolt til at holde sædet på plads, der allerede findes i hver side af sædet. Boltene føres gennem selens øsken. Derefter føres selen ned under sidestykkets bageste del (Fig. 31)

Sørg for at justere selens placering, så spændet ligger midt på sædet. (Fig. 32)



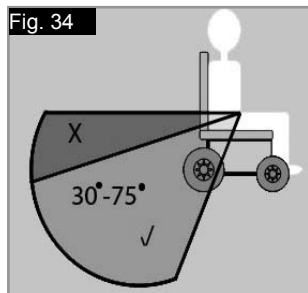
Hofteselen justeres efter brugerens behov på følgende måde:

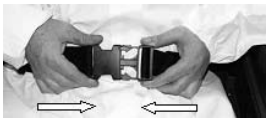



Sådan gøres selen længere	Sådan gøres selen kortere	✓
Den løse del af selen føres gennem skydespænderne og spændets handle, så selen bliver længere.	Den løse del af selen føres tilbage igen gennem spændets handle og skydespænderne.	Pas på, at selen ikke slår buler ved spændets handle.

Indstillinger – Hoftesele >>>

Når hofteselen fastgøres, skal afstanden mellem hofteselen og brugere; når den er indstillet korrekt, skal det være muligt at indsætte mere end den flade hånd mellem hofteselen og brugeren. (Fig. 33)

Generelt set skal hofteselen fastgøres således at stropperne sidder i en vinkel på omkring 45°, og når den er justeret korrekt, kan brugeren ikke glide ud af sædet. (Fig. 34)



	
	
<p>Sådan lukkes spændet: Han-delen sættes ind i hund-delen og skubbes helt på plads.</p>	<p>Sådan løsnes selen: Tryk de eksponerede sider af spændets han-del ind mod midten/tryk på udløserknappen på spændets hund-del, og træk forsigtigt spændets to dele fra hinanden imens.</p>

RÅD TIL BRUGEREN

⚠️ RISIKO!

- Hofteselen alene yder ikke tilstrækkelig beskyttelse ved transport i et køretøj, hvis brugeren transporteres siddende i kørestolen, sørg altid for at bruge de hofte- og skulderseler, der er monteret i køretøjet.
- Inden brug anbefales det, at man kontrollerer hofteselen for at sikre, at den justeret korrekt, at der ikke findes forhindringer eller slitage, og at spændet lukkes forsvarligt.
- Hvis man ikke sikrer sig, at hofteselen er forsvarligt monteret og justeret inden brug, kan brugeren pådrage sig alvorlige kvæstelser. En sele, der sidder for løst, kan bl.a. medføre kvælningsfare, hvis brugeren glider ned i stolen.

VEDLIGEHOLDELSE:

Hofteselen og fastspændingsanordningerne skal efterses grundigt med jævne mellemrum for tegn på slid eller skader. Udskift i givet fald de slidte eller beskadigede dele. Hofteselen rengøres med varmt sæbevand og lufttørres inden næste brug.

⚠️ RISIKO!

Hofteselen skal justeres så den passer til slutbrugeren, som beskrevet ovenfor. Sunrise Medical anbefaler også at remmens længde og pasform kontrolleres med jævne mellemrum, for at risikoen for at slutbrugeren ved et uheld genjusterer remmen til en overdreven længde. Hvis du er i tvivl om, hvordan hofteselen bruges og betjenes, skal du rådføre dig med din læge eller terapeut, kørestolsforhandleren, en plejer eller ledsager.

Indstillinger – Sæde

STANDARD SÆDEPOLSTRING

Sædepolstringen er forsynet med velcrolukning på den ene side, som gør det muligt at udføre trinløs justering af polstringen. Inden sædepolstringen justeres, skal kørestolen foldes sammen. Derefter trækkes de to forreste rørpropper fremad og fri af stellet. Sædepolstringen kan nu trækkes af stellet. Velcrostroppen løsnes, og sædepolstringen justeres efter ønske. Sædepolstringen genmonteres ved at udføre disse trin i omvendt rækkefølge (Fig. 39)



⚠️ VIGTIGT!

- For at opnå bedst mulig sikkerhed skal velcrostykkerne altid være i direkte kontakt på mindst 50 % overfladen.
- Undgå at stramme sædepolstringen for hårdt, da dette kan medføre, at kørestolen ikke kan foldes ordentligt sammen. Sædedybde

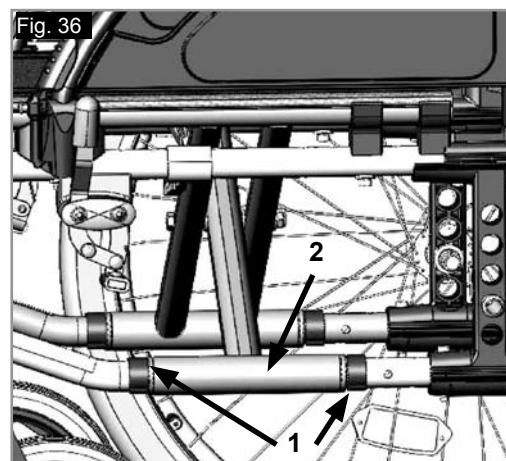
Indstillinger – Sædedybde

SÆDEDYBDE

Hvis man fjerner klemmerne (1), kan tværstivermontagen (2) skubbes hen ad stellet, hvorved sædedybden ændres (afhængigt af, hvordan ryglænets stelrør er placeret).

Sørg for, at klemmerne (1) glider på plads igen med et klik i de forborede huller i stellet.

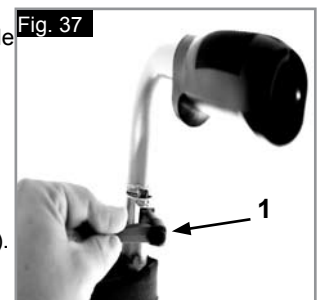
For at gøre stellet så kompakt som muligt kan sædedybden også justeres trinvist ved hjælp af ryglænets stelrør (41 – 46 cm med 2,5 cm ad gangen). Justeringen udføres ved at fjerne skruerne (1 og 2) på beslaget til ryglænets stelrør. Tag derefter hjulene og armlænene af, og sørg for, at tværstiveren sidder i den ønskede position (den skubbes på plads som beskrevet ovenfor). Ryk ryglænets stelrør, til de sidder som ønsket, og spænd så alle skruerne igen. Ryk det rør, der holder armlænene, til det sidder som ønsket (Fig. 36).



Indstillinger – Skubbehåndtag

HØJDEJUSTERBARE SKUBBEHÅNDTAG

Skubbehåndtagene er fastgjort ved hjælp af stifter, så de ikke uforvarende kan løsne sig. Ved at løsne udløserarmen (1) kan du justere skubbehåndtagenes højde, så de passer til dig. Hver gang, der er foretaget justeringer af skubbehåndtagenes højde, skal du trække udløserarmen på plads igen (1), til den sidder helt stramt (Fig. 37).



⚠️ VIGTIGT!

Hvis udløserarmen ikke sidder forsvarligt fastspændt, kan du komme til skade, når kørestolen løftes over forhindringer.

Indstillinger - Stokkeholder

STOKKEHOLDER

Ved hjælp af denne holder kan albuestokke transporteres direkte på kørestolen. Holderen er forsynet med en velcrostrop til fastgørelse af krykker eller andre hjælpemidler (Fig. 38).



ADVARSEL!

Forsøg aldrig at benytte eller fjerne stokkene eller andre hjælpemidler, mens kørestolen er i bevægelse.

Ekstraudstyr/Indstillinger - Terapibord

TERAPIBORD

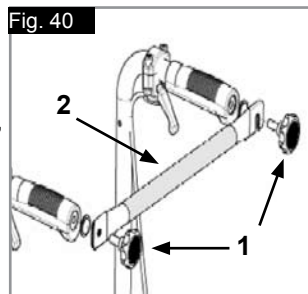
Bordet giver en flad overflade for de fleste aktiviteter. Inden et bord bruges, skal det først indstilles efter sædets bredde af en autoriseret forhandler. Brugeren skal sidde i kørestolen, når indstillingen foretages (Fig. 39).



Indstillinger - Stabiliseringsstang

STABILISERINGSSTANG

Åbn stjerne-håndtaget (1) og sving stabiliseringsstanden (2) ud af vejen, inden stolen foldes sammen. For at genoprette kørestolen, skal den ovennævnte procedure foretages i omvendt rækkefølge.



RISIKO!

- Inden kørestolen tages i brug, sørg for at stabiliseringsstangen og stjernehandtagene er på plads og strammede korrekt.
- Stabiliseringsstangen må aldrig bruges til at løfte stolen!

Indstillinger - Transithjul

TRANSITHJULENE

Transithjul bør anvendes i de tilfælde, hvor kørestolen er for bred, når baghjulene er monteret (f.eks. ombord på fly, busser osv.). Så snart baghjulene er afmonteret ved hjælp af quick-release-akserne, kan **transithjulene** bruges til fortsat kørsel. **Transithjulene** er monteret, så de sidder ca. 3 cm over kørselsfladen, når de ikke er i brug. Derved undgår man, at de er i vejen under kørslen, ved transport eller når kørestolen tippes for at køre over en forhindring (kantsten, trin osv.) (Fig. 41).



RISIKO!

Kørestolen har ingen bremses, når der anvendes transithjul.

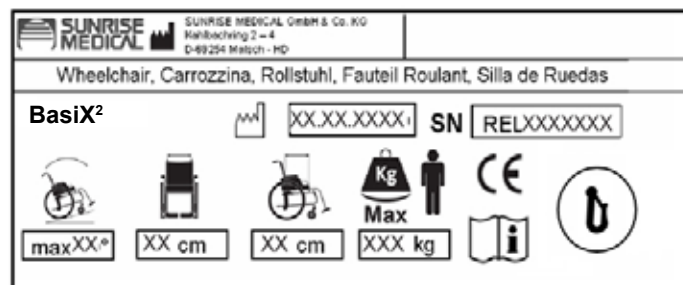
Navnemærkat

Navnemærkat

Navnemærkatet sidder enten på tværstiveren eller det tværgående stelrør samt på en etiket i brugervejledningen. Navnemærkatet angiver den nøjagtige modelbetegnelse såvel som andre tekniske specifikationer. Ved bestilling af reservedele eller ved reklamation bedes du oplyse følgende:

På grund af vores politik med konstante forbedringer af vores

PRØVE



BasiX²
XXXXX-XXX

Produktnavn/SKU-nummer.



Maksimal sikker hældning med antitipstøtter monteret, Afhænger af kørestolens indstilling, holdning og brugerens fysiske evner.



Sædebredde



Dybde (maksimalt).



Maksimal belastning.



CE-mærkat



Brugervejledning.



Kollisionstestet



Produktionsdato.



Serienummer.

kørestoles design, kan produktspecifikationerne variere en smule fra de viste eksempler. Alle vægte/dimensioner og data om ydeevne er omtrentlige og skal udelukkende bruges som en vejledning. Sunrise Medical opfylder kravene i EU-direktiv 93/42/EØF for medicinsk udstyr



Alle kørestole skal bruges i overensstemmelse med producentens retningslinjer.

Sunrise Medical GmbH & Co.KG

Kahlbachring 2-4

69254 Malsch/Heidelberg

Tyskland

Tel.: +49 (0) 7253/980-0

Fax: +49 (0) 7253/980-111

www.sunrisemedical.com

Dæk og montering

DÆK OG MONTERING

Solide dæk er standard. Med pneumatisk dæk skal du sørge for at du bevarer det korrekte dæktryk, da dette kan have en virkning på kørestolens ydeevne. Hvis dæktrykket er for lavt, øges rullemodstanden, og der kræves flere kræfter for at køre stolen fremad. Et lavt dæktryk har også en negativ indvirkning på kørestolens manøvreedygtighed. Hvis dæktrykket er for stort, kan dækket sprænge. Det korrekte dæktryk for et bestemt dæk er trykt på dækkets overflade.

Dækkene monteres på samme måde som almindelige cykeldæk. Inden slangen monteres, skal du sikre dig, at fælgfladen og dækkets inderside er fri for fremmedlegemer. Kontrollér dæktrykket efter montering eller reparation af et dæk. Det er meget vigtigt for sikkerheden og kørestolens funktion, at dæktrykket er korrekt, og at dækkene er i god stand.

Vedligeholdelse og rengøring

SIKKERHEDSKONTROL:

Som bruger af kørestolen er du som oftest den, der først lægger mærke til evt. fejl og mangler. Inden hver brug anbefaler vi derfor at du kontrollerer følgende:

Dæktrykket er korrekt.
Bremserne fungerer korrekt.
Alle aftagelige dele er forsvarligt fastspændte (f.eks. armlæn, fodstøtte-bøjler, quick-release aksler ...).
hvis der findes nogen skader/defekter, bedes du kontakte din autoriserede forhandler.

VEDLIGEHOLDELSE:

Dæktrykket skal kontrolleres med jævne mellemrum. Kontrollér alle dækkene for slitage og beskadigelser med jævne mellemrum, og mindst en gang om året. Dækkene skal udskiftes, så snart der findes tegn på beskadigelser eller slitage. Kontrollér sædet og rygpulstringen for slitage og beskadigelser med jævne mellemrum, og mindst en gang om året. Disse dele skal udskiftes, så snart der findes tegn på beskadigelser eller slitage. Kontrollér alle rammens og ryglænets komponenter for slitage og beskadigelser med jævne mellemrum, og mindst en gang om året. Disse dele skal udskiftes, så snart der findes tegn på beskadigelser eller slitage. Kontrollér bremserne for slitage og beskadigelser med jævne mellemrum, og mindst en gang om året. Kontrollér om de fungerer korrekt, og om de er lette at bruge. Udskift bremserne, så snart der findes tegn på beskadigelser eller slitage. Kontrollér om alle boltene er fastgjorte (se siden vedr. tilspændingsmomenter) med jævne mellemrum, og mindst en gang om året. Alle de skruer som er af afgørende betydning for sikker brug af kørestolen, har et sikkerhedsmøtrikker. Sikkerhedsmøtrikker bør kun benyttes én gang og bør straks udskiftes efter brug.

BEMÆRK: Hvis der er anført momentindstillinger, anbefaler vi på det kraftigste at du bruger en moment måleanordning, for at kontrollere at du har spændt ifølge det korrekte moment. Rengør kørestolen med et mildt rengøringsmiddel. Der må kun bruges sæbe og vand til rengøring af sædets betræk og hofteselen. Afhængigt af hvor ofte og hvilken type du bruger, anbefaler vi at du med jævne mellemrum bringer din kørestol til din autoriserede forhandler, dog mindst en gang om året) for at få den vedligeholdt af trænet personale.



VIGTIGT!

Sand, salt og havvand kan beskadige lejerne på for- og baghjulene. Hvis kørestolen er blevet eksponeret til disse elementer, skal den rengøres omhyggeligt.

RÅD OM HYGIEJNE VED GENANVENDELSE:

Hvis kørestolen skal anvendes af en ny bruger, bør den klargøres grundigt. Alle overflader, der kan komme i kontakt med brugeren, skal tørres af og behandles med desinficeringsmiddel i sprayform.

Hvis det er nødvendigt at foretage dette hurtigt, skal du bruge et flydende alkohol-baseret desinfektionsmiddel, som egner sig til medicinske produkter og anordninger. Du bedes være opmærksom på producentens instruktioner på det desinfektionsmiddel du bruger.

Fejlsøgning

Kørestolen trækker til den ene side

- Kontrollér dæktrykket
- Kontrollér, om hjulene drejer frit (lejer, aksel)
- Kontrollér svinghjulsvinklen
- Kontrollér, om begge svinghjul har ordentlig kontakt med kørselsfladen.

Svinghjulene begynder at slingre

- Kontrollér svinghjulsvinklen
- Kontrollér, om alle bolte er fastspændt, og spænd dem evt. korrekt (se siden vedr. tilspændingsmomenter)
- Kontrollér, om begge svinghjul har ordentlig kontakt med kørselsfladen.

Kørestolen knirker og rasler

- Kontrollér, om alle bolte er fastspændt, og spænd dem evt. korrekt (se siden vedr. tilspændingsmomenter)
- Smør de steder, hvor bevægelige dele kommer i kontakt med hinanden, med lidt olie

Kørestolen slingrer

- Kontrollér den vinkel, svinghjulene er indstillet i
- Kontrollér dæktrykket
- Kontrollér, om baghjulene er indstillet forskelligt

Bortskaffelse/Genbrug af materialer

BEMÆRK: Hvis kørestolen er blevet leveret til dig gratis, tilhører den muligvis ikke dig. Hvis du ikke længere har brug for den, skal du følge instruktionerne fra den organisation som har leveret kørestolen, således at den kan returneres til dem.

De følgende oplysninger beskriver de materialer, der er brugt i kørestolen i forbindelse med bortskaffelse eller genbrug af kørestolen og dens emballage.

Specifik lovgivning for bortskaffelse af affald eller genbrug kan være værende gældende lokalt, og der bør tages hensyn til disse, når der arrangeres bortskaffelse. (Disse kan inkludere rengøring og desinfektion af kørestolen inden bortskaffelsen).

Aluminium: Svinghjulsgafler, hjul, sidested, armlæn, benstøtter, skubbehåndtag

Stål: Fastspændinger, QR aksel

Plastik: Håndtag, rørpropper, svinghjul, fodplader, armlænsbolstringer og 12" hjul/dæk

Emballering: Polyætylenpose med lavt massefylde, papkasse
Betræk: Vævet polyester med PVC-beskyttelseslag og ekspanderet forbrændingsmodificeret skum.

Bortskaffelse eller genbrug skal foretages gennem en autoriseret agent eller et autoriseret bortskaffelsessted. Alternativt kan din kørestol returneres til din forhandler for bortskaffelse.



Tekniske data

Fuld bredde:

Med standardhjul inkl. drivringe, monteret tæt:

SB +19 cm

Med tromlebremsehjul inkl. drivringe, monteret tæt:

SB +21 cm

Mål i sammenfoldet stand:

Med standardhjul = 30 cm

Uden standardhjul = 24 cm

Maksimal belastning:

op til 125 kg belastning

Vægt i kg:

Ved transport (uden fodstøtte, hjul, sidestykke) 8,4 kg

Fodstøtte (enhed): 0,8 kg

Standard sidestykke (enhed): 0,8 kg

24"-baghjul (massivt) (par): 3,8 kg

MAKSIMAL BELASTNING: 125 KG

SE OGSÅ SIDE 5

I overensstemmelse med EN12183: 2009 er alle de beskrevne dele (sæde - ryglænspolstring, armpude, sidepanel...) brandsikre ifølge EN1021-2.


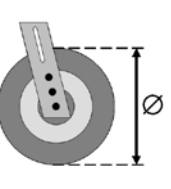
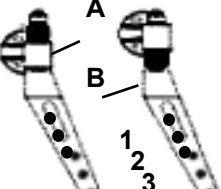

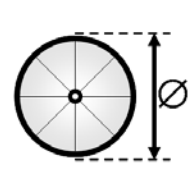
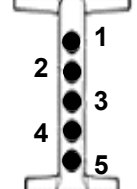
Den maksimale hældningsgrad for sikker kørsel på skråninger er dynamisk, dvs. den afhænger af kørestolskonfigurationen, brugerens fysiske evner samt den måde, brugeren kører på. Eftersom brugerens fysiske evner og måde at køre på er forskellige fra person til person, kan den maksimale hældningsgrad for sikker kørsel ikke angives her. Denne hældningsgrad skal derfor fastslås af brugeren selv med hjælp fra en ledsager for at undgå, at kørestolen tipper på skråninger. Det anbefales på det kraftigste, at uerfarne brugere får monteret antitipstøtter på kørestolen.

Kørestolen overholder følgende normer:

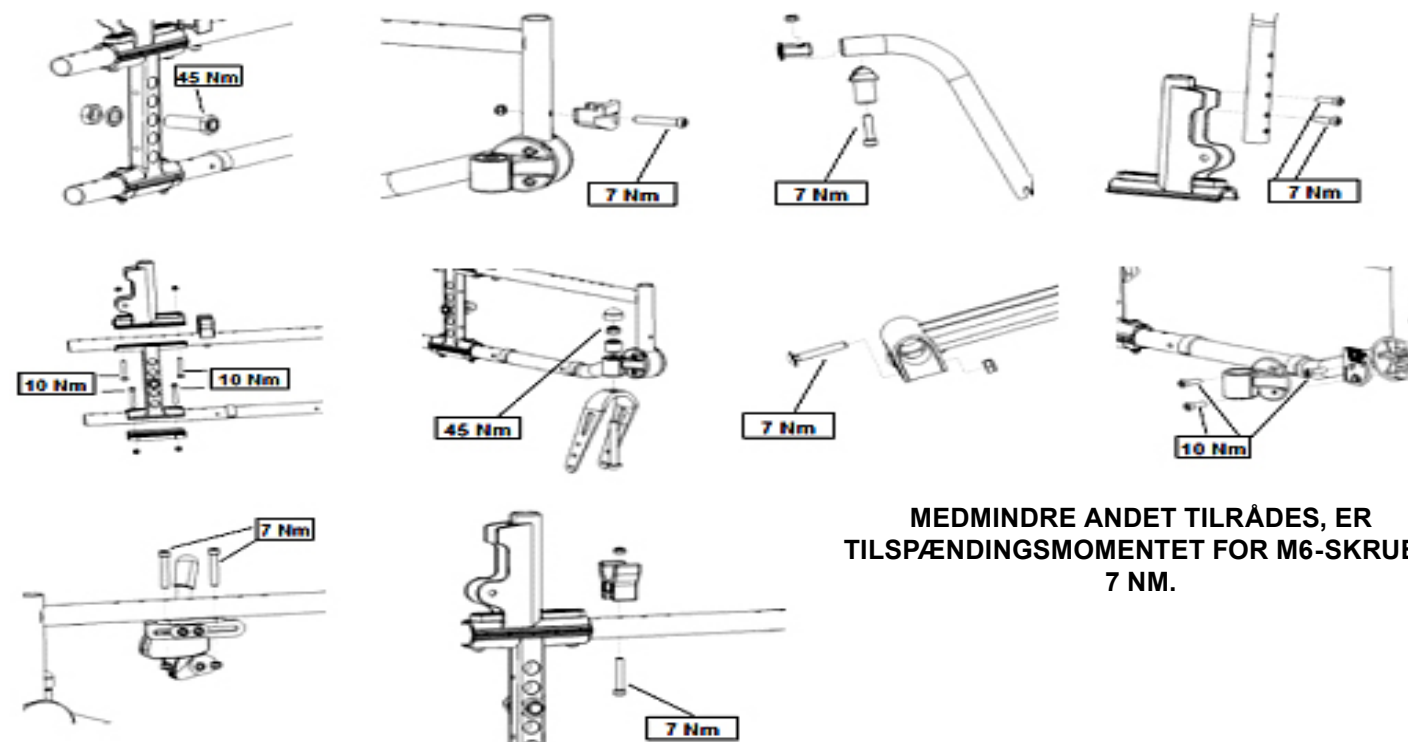
a) Krav og prøvningsmetoder til statisk, slag- og udmattelsesstyrke (ISO 7176-8)

b) Krav til modstandsevne over for antændelse i henhold til ISO 7176-16 (EN 1021-1)

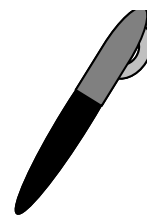
Indstilling af sædehøjde

							
425 mm	8"	1A		400 mm	24"	1	
450 mm	8"	2A	1B	425 mm	24"	2	
480 mm	8"	3A	2B	450 mm	24"	12"	3
505 mm	8"		3B	475 mm	24"	4	
425 mm	6"	2A	1B	500 mm	24"	5	
450 mm	6"	3A	2B				
480 mm	6"		3B				

Tilspændingsmomenter



**MEDMINDRE ANDET TILRÅDES, ER
TILSPÆNDINGSMOMENTET FOR M6-SKRUER
7 NM.**





Sunrise Medical GmbH & Co.KG
Kahlbachring 2-4
69254 Malsch/Heidelberg
Germany
Tel.: +49 (0) 7253/980-0
Fax: +49 (0) 7253/980-111
www.sunrisemedical.com

Sunrise Medical
Thorns Road
Brierley Hill
West Midlands
DY5 2LD
Phone: 0845 605 66 88
Fax: 0845 605 66 89
www.SunriseMedical.com

Sunrise Medical S.L.
Poligono Bakiola, 41
48498 Arrankudiaga – Vizcaya
España
Tel.: +34 (0) 902142434
Fax: +34 (0) 946481575
www.sunrisemedical.com

SUNRISE MEDICAL SAS
ZAC de la Vrillonnerie
17 Rue Michael Faraday37170
Chambray Lès Tours
Tél.: +33 (0) 2 47 55 44 00
Fax: +33 (0) 2 47 55 44 03
www.sunrisemedical.com

Sunrise Medical Srl
Via Riva 20, Montale
29100 Piacenza (PC)
Italy
Tel.: +39 0523-573111
Fax: +39 0523-570060
www.sunrisemedical.com

Sunrise Medical A.G.
Lückhalde 14
3074 Muri bei Bern
Switzerland
Tel.: +41 (0) 31-958-3838
Fax: +41 (0) 31-958-3848
www.sunrisemedical.com

Sunrise Medical AS
Dynamitveien 14 b
1400 Ski
Norway
T: +47 66 96 38 00
F: +47 66 96 38 80
E: post@sunrisemedical.no
www.sunrisemedical.com

Sunrise Medical AB
Britta Sahlgrens gata 8A
421 31 Västra Frölunda
Sweden
Tel: +46 (0) 31-748 37 00
Fax: +46 (0) 31-748 37 37
www.sunrisemedical.com

Sunrise Medical B.V.
Groningenhaven 18-20
3433 PE Nieuwegein
Nederlands
Tel.: +31 (0) 3060-82100
Fax: +31 (0) 3060-55880
www.sunrisemedical.com

G2 A/S
Graham Bells Vej 21-23 A
8200 Aarhus N
Denmark
Tel.: +45 87 41 31 00
Fax: +45 87 41 31 31
www.G2.dk

Sunrise Medical Pty. Ltd.
6 Healey Circuit, Huntingwood,
NSW 2148,
Australia
Phone: 9678 6600,
Orders Fax: 9678 6655,
Admin Fax: 9831 2244.
Australia
www.sunrisemedical.com