

BODILINK® LATERAL TRUNK SUPPORT ORDER FORM



Basic and GT Style Shown

Premium and GT2 Style Shown



Swing-Away hardware shown with both

Company Name/ACCT #: _____

P.O. Number: _____

Requested By: _____

Phone: _____ Fax: _____

Email: _____

Ship To: _____

Patient Reference: _____

1 SUPPORT PADS

1.1 BASIC PAD SIZE & SHAPE

RRP £56.00

- You may make one selection per column (Left, Extra Left, Right, and Extra Right) in section 1.1.
- Follow each column down to sections 1.2 and 1.3 and select a style and cover for each pad selected in section 1.1. Premium pads in section 1.4 on next page.

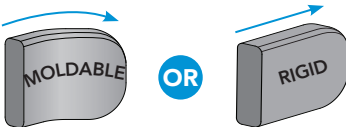
*Length (L) refers to the actual size dimension of the support from top to bottom edge. Depth (D) refers to the actual size dimension from anterior to posterior edge.

	SHAPE	SIZE	LEFT	*EXTRA LEFT	RIGHT	*EXTRA RIGHT
SUPPORTIVE		3"L x 4"D	BL-LTSP1S-3L4D-LH	BL-LTSP1S-3L4D-LH	BL-LTSP1S-3L4D-RH	BL-LTSP1S-3L4D-RH
		3"L x 5"D	BL-LTSP1S-3L5D-LH	BL-LTSP1S-3L5D-LH	BL-LTSP1S-3L5D-RH	BL-LTSP1S-3L5D-RH
		4"L x 5"D	BL-LTSP1S-4L5D-LH	BL-LTSP1S-4L5D-LH	BL-LTSP1S-4L5D-RH	BL-LTSP1S-4L5D-RH
		4"L x 6"D	BL-LTSP1S-4L6D-LH	BL-LTSP1S-4L6D-LH	BL-LTSP1S-4L6D-RH	BL-LTSP1S-4L6D-RH
		5"L x 7"D	BL-LTSP1S-5L7D-LH	BL-LTSP1S-5L7D-LH	BL-LTSP1S-5L7D-RH	BL-LTSP1S-5L7D-RH
		6"L x 6"D	BL-LTSP1S-6L6D-LH	BL-LTSP1S-6L6D-LH	BL-LTSP1S-6L6D-RH	BL-LTSP1S-6L6D-RH
ACTIVE		3"L x 4"D	BL-LTSP1A-3L4D-LH	BL-LTSP1A-3L4D-LH	BL-LTSP1A-3L4D-RH	BL-LTSP1A-3L4D-RH
		3"L x 5"D	BL-LTSP1A-3L5D-LH	BL-LTSP1A-3L5D-LH	BL-LTSP1A-3L5D-RH	BL-LTSP1A-3L5D-RH
		4"L x 5"D	BL-LTSP1A-4L5D-LH	BL-LTSP1A-4L5D-LH	BL-LTSP1A-4L5D-RH	BL-LTSP1A-4L5D-RH
		4"L x 6"D	BL-LTSP1A-4L6D-LH	BL-LTSP1A-4L6D-LH	BL-LTSP1A-4L6D-RH	BL-LTSP1A-4L6D-RH
		5"L x 7"D	BL-LTSP1A-5L7D-LH	BL-LTSP1A-5L7D-LH	BL-LTSP1A-5L7D-RH	BL-LTSP1A-5L7D-RH
		6"L x 6"D	BL-LTSP1A-6L6D-LH	BL-LTSP1A-6L6D-LH	BL-LTSP1A-6L6D-RH	BL-LTSP1A-6L6D-RH

Contact Customer Support for custom sizes.

1.2 BASIC PAD STYLE

RRP £0.00



**"EXTRA" parts may not fit depending on back support, pad, and hardware size and style combinations. Please contact customer support with questions.

	STYLE OPTIONS	LEFT	*EXTRA LEFT	RIGHT	*EXTRA RIGHT
OR	MOLDABLE	LTS-P1-MOLD	LTS-P1-MOLD	LTS-P1-MOLD	LTS-P1-MOLD
	RIGID	LTS-P1-RIGID	LTS-P1-RIGID	LTS-P1-RIGID	LTS-P1-RIGID

1.3 BASIC PAD COVER

RRP £0.00



	COVER OPTIONS	LEFT	*EXTRA LEFT	RIGHT	*EXTRA RIGHT
OR	COMFORT-TEK™	LTS-P1-COMFORT	LTS-P1-COMFORT	LTS-P1-COMFORT	LTS-P1-COMFORT
	STRETCH-AIR™	LTS-P1-STRETCH	LTS-P1-STRETCH	LTS-P1-STRETCH	LTS-P1-STRETCH

1 SUPPORT PADS

1.4 PREMIUM PAD SIZE & SHAPE

RRP £79.00

- You may make one selection per column (Left, Extra Left, Right, and Extra Right) in section 1.4.
- Follow each column down to sections 1.5 and 1.6 and select a style and cover for each pad selected in section 1.4.

*Length (L) refers to the dimension of the support from top to bottom edge. Depth (D) refers to the dimension of the support from anterior to posterior edge.

	SHAPE	SIZE	LEFT	*EXTRA LEFT	RIGHT	*EXTRA RIGHT
SUPPORTIVE		3"L x 4"D	BL-LTSP2S-3L4D-LH	BL-LTSP2S-3L4D-LH	BL-LTSP2S-3L4D-RH	BL-LTSP2S-3L4D-RH
		3"L x 5.5"D	BL-LTSP2S-3L5D-LH	BL-LTSP2S-3L5D-LH	BL-LTSP2S-3L5D-RH	BL-LTSP2S-3L5D-RH
		4"L x 5"D	BL-LTSP2S-4L5D-LH	BL-LTSP2S-4L5D-LH	BL-LTSP2S-4L5D-RH	BL-LTSP2S-4L5D-RH
		4"L x 6.5"D	BL-LTSP2S-4L6D-LH	BL-LTSP2S-4L6D-LH	BL-LTSP2S-4L6D-RH	BL-LTSP2S-4L6D-RH
		5"L x 6.5"D	BL-LTSP2S-5L6D-LH	BL-LTSP2S-5L6D-LH	BL-LTSP2S-5L6D-RH	BL-LTSP2S-5L6D-RH
		6"L x 6.5"D	BL-LTSP2S-6L6D-LH	BL-LTSP2S-6L6D-LH	BL-LTSP2S-6L6D-RH	BL-LTSP2S-6L6D-RH
ACTIVE		3"L x 4"D	BL-LTSP2A-3L4D-LH	BL-LTSP2A-3L4D-LH	BL-LTSP2A-3L4D-RH	BL-LTSP2A-3L4D-RH
		3"L x 5.5"D	BL-LTSP2A-3L5D-LH	BL-LTSP2A-3L5D-LH	BL-LTSP2A-3L5D-RH	BL-LTSP2A-3L5D-RH
		4"L x 5"D	BL-LTSP2A-4L5D-LH	BL-LTSP2A-4L5D-LH	BL-LTSP2A-4L5D-RH	BL-LTSP2A-4L5D-RH
		4"L x 6.5"D	BL-LTSP2A-4L6D-LH	BL-LTSP2A-4L6D-LH	BL-LTSP2A-4L6D-RH	BL-LTSP2A-4L6D-RH
		5"L x 6.5"D	BL-LTSP2A-5L6D-LH	BL-LTSP2A-5L6D-LH	BL-LTSP2A-5L6D-RH	BL-LTSP2A-5L6D-RH
		6"L x 6.5"D	BL-LTSP2A-6L6D-LH	BL-LTSP2A-6L6D-LH	BL-LTSP2A-6L6D-RH	BL-LTSP2A-6L6D-RH

1.5 PREMIUM PAD STYLE

RRP £0.00

	STYLE OPTIONS	LEFT	*EXTRA LEFT	RIGHT	*EXTRA RIGHT
OR	MOLDABLE	LTS-P2-MOLD	LTS-P2-MOLD	LTS-P2-MOLD	LTS-P2-MOLD
	RIGID	LTS-P2-RIGID	LTS-P2-RIGID	LTS-P2-RIGID	LTS-P2-RIGID

**"EXTRA" parts may not fit depending on back support, pad, and hardware size and style combinations. Please contact customer support with questions.

1.6 PREMIUM PAD COVER

	COVER OPTIONS	RRP	LEFT	*EXTRA LEFT	RIGHT	*EXTRA RIGHT
	NO COVER	£0.00	LTS-P2-NO-CV	LTS-P2-NO-CV	LTS-P2-NO-CV	LTS-P2-NO-CV
	COMFORT-TEK™	£0.00	LTS-P2-COMFORT	LTS-P2-COMFORT	LTS-P2-COMFORT	LTS-P2-COMFORT
	STRETCH-AIR™	£0.00	LTS-P2-STRETCH	LTS-P2-STRETCH	LTS-P2-STRETCH	LTS-P2-STRETCH
	GLIDEWEAR®	£13.00	LTS-P2-GLIDE	LTS-P2-GLIDE	LTS-P2-GLIDE	LTS-P2-GLIDE
	COMFORT-TEK™ with FOAM	£13.00	LTS-P2-COMFORT-FM	LTS-P2-COMFORT-FM	LTS-P2-COMFORT-FM	LTS-P2-COMFORT-FM
	STRETCH-AIR™ with FOAM	£13.00	LTS-P2-STRETCH-FM	LTS-P2-STRETCH-FM	LTS-P2-STRETCH-FM	LTS-P2-STRETCH-FM
	GLIDEWEAR® with FOAM	£13.00	LTS-P2-GLIDE-FM	LTS-P2-GLIDE-FM	LTS-P2-GLIDE-FM	LTS-P2-GLIDE-FM

COMFORT-TEK™
FOR FLUID PROTECTION & AN EASILY CLEANED SURFACE.

STRETCH-AIR™
FOR AIR TRANSMISSION & HEAT DISSIPATION.

GlideWear
FOR SKIN PROTECTION & SHEAR REDUCTION. NOT FLUID RESISTANT.


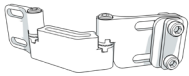


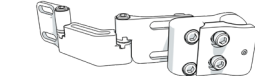
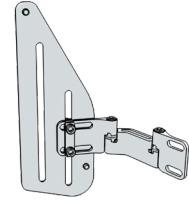
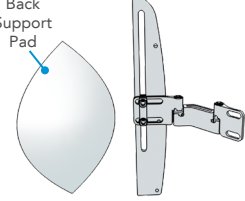
COVER with FOAM
FOR SOFT FEEL, NON-ZERO CUSHIONING SUPPORT.

2 MOUNTING HARDWARE

2.1 GT MOUNTING HARDWARE

- You may make one selection per column (Left, Extra Left, Right, and Extra Right) in section 2.1.
- GT and GT2 Hardware and Pad styles are interchangeable. GT2 hardware, next page.
- GT hardware extra links (section 2.2) will only work with GT style hardware.

Both Fixed and Swing-Away hardware styles are adjustable.

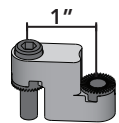
SLOT MOUNT  Swing-Away Shown  Fixed Shown  With Winter/Summer Hardware for Acta-Embrace®	CANE MOUNT Suggested For Radius Back®  Swing-Away Shown  Fixed Shown	QUANTUM® POWER MOUNT For Quantum® TRU-Comfort® Seating 	PERMOBIL® POWER MOUNT For Permobil® Corpus® 3G Seating  Back Support Pad
---	--	--	--

Note: "Extra" Power Hardware does not include additional mounting brackets and/or foam support pads

	STYLE	RRP	LEFT	*EXTRA LEFT	RIGHT	*EXTRA RIGHT
	SWING-AWAY	SLOT MOUNTING	£68.00	BL-LTS-GT1SAS-LH	BL-LTS-GT1SAS-LH	BL-LTS-GT1SAS-RH
ACTA-RELIEF™ SLOT MT		£68.00	BL-LTS-GT1SAK-LH	BL-LTS-GT1SAK-LH	BL-LTS-GT1SAK-RH	BL-LTS-GT1SAK-RH
ACTA-EMBRACE® SLOT MT w/ WINTER/SUMMER		£144.00	BL-LTS-GT1SAWSAE-LH		BL-LTS-GT1SAWSAE-RH	
CANE MOUNTING		£68.00	BL-LTS-GT1SAC-LH	BL-LTS-GT1SAC-LH	BL-LTS-GT1SAC-RH	BL-LTS-GT1SAC-RH
QUANTUM® POWER		£162.00	BL-LTS-GT1SAPW1-LH	BL-LTS-GT1SAPW1X-LH (RRP)	BL-LTS-GT1SAPW1-RH	BL-LTS-GT1SAPW1X-RH (RRP)
PERMOBIL® POWER		£162.00	BL-LTS-GT1SAPW2-LH	BL-LTS-GT1SAPW2X-LH (RRP)	BL-LTS-GT1SAPW2-RH	BL-LTS-GT1SAPW2X-RH (RRP)
OR						
FIXED	SLOT MOUNTING	£54.00	BL-LTS-GT1FXS-LH	BL-LTS-GT1FXS-LH	BL-LTS-GT1FXS-RH	BL-LTS-GT1FXS-RH
	ACTA-RELIEF™ SLOT MT	£54.00	BL-LTS-GT1FXK-LH	BL-LTS-GT1FXK-LH	BL-LTS-GT1FXK-RH	BL-LTS-GT1FXK-RH
	ACTA-EMBRACE® SLOT MT w/ WINTER/SUMMER	£131.00	BL-LTS-GT1FXWSAE-LH		BL-LTS-GT1FXWSAE-RH	
	CANE MOUNTING	£118.00	BL-LTS-GT1FXC-LH	BL-LTS-GT1FXC-LH	BL-LTS-GT1FXC-RH	BL-LTS-GT1FXC-RH
	QUANTUM® POWER	£97.00	BL-LTS-GT1FXPW1-LH	BL-LTS-GT1FXPW1X-LH (RRP)	BL-LTS-GT1FXPW1-RH	BL-LTS-GT1FXPW1X-RH (RRP)
	PERMOBIL® POWER	£97.00	BL-LTS-GT1FXPW2-LH	BL-LTS-GT1FXPW2X-LH (RRP)	BL-LTS-GT1FXPW2-RH	BL-LTS-GT1FXPW2X-RH (RRP)

*"EXTRA" parts may not fit depending on back support, pad, and hardware size and style combinations. Please contact customer support with questions. 00.353.719163905. Winter/Summer hardware requires an Acta-Embrace® wing for mounting lateral trunk support hardware.

2.2 GT ADDITIONAL OPTIONS



EXTRA HARDWARE LINKS
RRP £18.00

LEFT
BL-LTS-GT1LINK

ADD'L LEFT
BL-LTS-GT1LINK

RIGHT
BL-LTS-GT1LINK

ADD'L RIGHT
BL-LTS-GT1LINK



HARDWARE COVER
RRP £17.00

LEFT
BL-LTS-HCOVER

*EXTRA LEFT
BL-LTS-HCOVER

RIGHT
BL-LTS-HCOVER

EXTRA RIGHT
BL-LTS-HCOVER



WINTER/SUMMER HARDWARE
RRP £77.00

LEFT
BL-LTS-HWSAE-LH

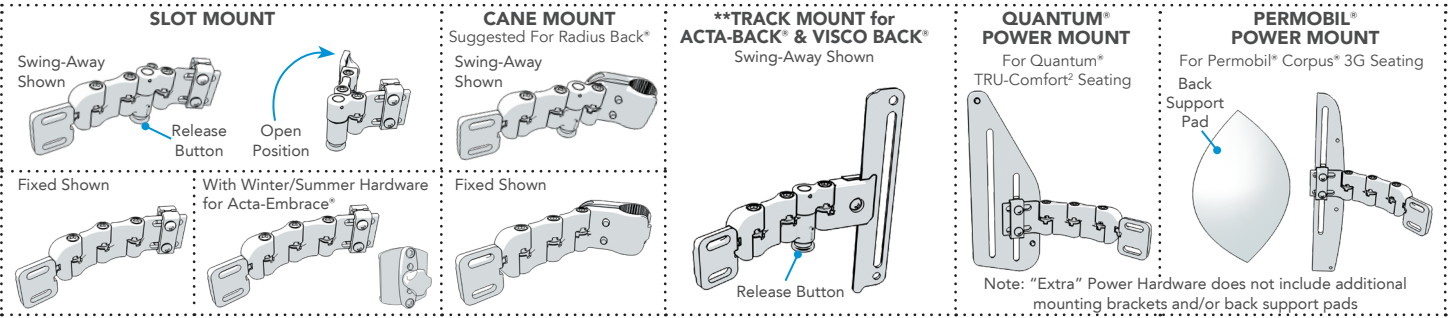
RIGHT
BL-LTS-HWSAE-RH

WINTER/SUMMER HARDWARE is only available with Acta-Embrace® Back Supports using SLOT MOUNTING style hardware.

2 MOUNTING HARDWARE

2.3 GT2 MOUNTING HARDWARE

Both Fixed and Swing-Away hardware styles are adjustable.



- You may make one selection per column in section 2.3.
- If choosing Track Mount Hardware, you must also indicate the back support length it will be attached to (Acta-Backs and Visco Back).
- GT and GT2 Hardware and Pad styles are interchangeable.
- Extra links and long mounting bracket (section 2.4) only for GT2 style hardware.

****TRACK MOUNT is only available with Acta-Backs® or Visco Back® using Compass® 4 Hardware.**
If using Compass® Power Mount hardware on Acta-Backs®, select slot mounting lateral hardware.

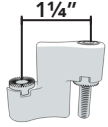
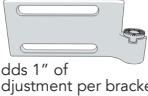


**"EXTRA" parts may not fit depending on back support, pad, and hardware size and style combinations. Please contact customer support with questions. 00.353.719163905. Winter/Summer hardware requires an Acta-Embrace® wing for mounting lateral trunk support hardware.

	STYLE	RRP	LEFT		*EXTRA LEFT	RIGHT		*EXTRA RIGHT
SWING-AWAY	SLOT MOUNTING	£137.00		BL-LTS-GT2SAS-LH	BL-LTS-GT2SAS-LH		BL-LTS-GT2SAS-RH	BL-LTS-GT2SAS-RH
	ACTA-RELIEF™ SLOT MT	£137.00		BL-LTS-GT2SAK-LH	BL-LTS-GT2SAK-LH		BL-LTS-GT2SAK-RH	BL-LTS-GT2SAK-RH
	ACTA-EMBRACE® SLOT MT w/ WINTER/SUMMER	£213.00		BL-LTS-GT2SAWSAE-LH			BL-LTS-GT2SAWSAE-RH	
	CANE MOUNTING	£137.00		BL-LTS-GT2SAC-LH	BL-LTS-GT2SAC-LH		BL-LTS-GT2SAC-RH	BL-LTS-GT2SAC-RH
	QUANTUM® POWER	£123.00		BL-LTS-GT2SAPW1-LH	BL-LTS-GT2SAPW1X-LH (RRP)		BL-LTS-GT2SAPW1-RH	BL-LTS-GT2SAPW1X-RH (RRP)
	PERMOBIL® POWER	£123.00		BL-LTS-GT2SAPW2-LH	BL-LTS-GT2SAPW2X-LH (RRP)		BL-LTS-GT2SAPW2-RH	BL-LTS-GT2SAPW2X-RH (RRP)
	TRACK MOUNT**	£137.00		BL-LTS-GT2SAT-LH	BL-LTS-GT2SATX-LH		BL-LTS-GT2SAT-RH	BL-LTS-GT2SATX-RH
OR FIXED	SLOT MOUNTING	£68.00		BL-LTS-GT2FXS-LH	BL-LTS-GT2FXS-LH		BL-LTS-GT2FXS-RH	BL-LTS-GT2FXS-RH
	ACTA-RELIEF™ SLOT MT	£68.00		BL-LTS-GT2FXK-LH	BL-LTS-GT2FXK-LH		BL-LTS-GT2FXK-RH	BL-LTS-GT2FXK-RH
	ACTA-EMBRACE® SLOT MT w/ WINTER/SUMMER	£145.00		BL-LTS-GT2FXWSAE-LH			BL-LTS-GT2FXWSAE-RH	
	CANE MOUNTING	£84.00		BL-LTS-GT2FXC-LH	BL-LTS-GT2FXC-LH		BL-LTS-GT2FXC-RH	BL-LTS-GT2FXC-RH
	QUANTUM® POWER	£101.00		BL-LTS-GT2FXPW1-LH	BL-LTS-GT2FXPW1X-LH (RRP)		BL-LTS-GT2FXPW1-RH	BL-LTS-GT2FXPW1X-RH (RRP)
	PERMOBIL® POWER	£88.00		BL-LTS-GT2FXPW2-LH	BL-LTS-GT2FXPW2X-LH (RRP)		BL-LTS-GT2FXPW2-RH	BL-LTS-GT2FXPW2X-RH (RRP)
	TRACK MOUNT**	£68.00		BL-LTS-GT2FXT-LH	BL-LTS-GT2FXTX-LH		BL-LTS-GT2FXT-RH	BL-LTS-GT2FXTX-RH

Back Support Length for Track Mount** Indicate size of your Acta-Back® or Visco Back®. Track Mount only for use with Compass® 4 Mounting Hardware.	SIDE	10" L	12" L	14" L	16" L	18" L	20" L	22" L
	LEFT	LTS-GT2T-10L	LTS-GT2T-12L	LTS-GT2T-14L	LTS-GT2T-16L	LTS-GT2T-18L	LTS-GT2T-20L	LTS-GT2T-22L
	RIGHT	LTS-GT2T-10R	LTS-GT2T-12R	LTS-GT2T-14R	LTS-GT2T-16R	LTS-GT2T-18R	LTS-GT2T-20R	LTS-GT2T-22R

*Length (L) refers to the back support size ordered.

2.4 GT2 ADDITIONAL OPTIONS

	EXTRA HARDWARE LINKS RRP £18.00	LEFT BL-LTS-GT2LINK	ADD'L LEFT BL-LTS-GT2LINK	RIGHT BL-LTS-GT2LINK	ADD'L RIGHT BL-LTS-GT2LINK
	LONG MOUNTING BRACKET For Slot Mount RRP £18.00	LEFT BL-LTS-GT2LSLOT-LH	*EXTRA LEFT BL-LTS-GT2LSLOT-LH	RIGHT BL-LTS-GT2LSLOT-RH	*EXTRA RIGHT BL-LTS-GT2LSLOT-RH
	HARDWARE COVER RRP £17.00	LEFT BL-LTS-HCOVER	*EXTRA LEFT BL-LTS-HCOVER	RIGHT BL-LTS-HCOVER	*EXTRA RIGHT BL-LTS-HCOVER
	WINTER/SUMMER HARDWARE RRP £77.00	LEFT BL-LTS-HWSAE-LH	RIGHT BL-LTS-HWSAE-RH	WINTER/SUMMER HARDWARE is only available with Acta-Embrace® Back Supports using SLOT MOUNTING style hardware.	