

ACTA-RELIEF™ ORDER FORM



POSITIONING BACK, POSTERIOR LATERAL

Acta-Relief Patent Pending



Shown with Compass® 4 Quick Release 2 Point Hardware.
Cover appearance may vary with hardware selection.

This back support is also available through
CID COMFORT designs

Company Name/ACCT #: _____

PQ Number: _____

Requested By: _____

Phone: _____ Fax: _____

Email: _____

Ship To: _____

Patient Reference: _____

ACTA-RELIEF-GD-SRRP-01/04/2017

1 SIZE SELECTION Required

BASE RRP

LENGTH*	22"	£691.00		
	20"			
	18"			
	16"			
	14"			
	12"			
	10"			
	14"	16"	18"	20"
	FRAME WIDTH			

Sizes available are subject to hardware being used.

AR-BS

Please fill in one of the above with dimensions from the size charts to the right.
Example Part: **AR-BS14W16L**

Hardware will be selected in Section 2.

14W10L	16W10L	18W10L	20W10L
--------	--------	--------	--------

Please note these sizes are not available with lateral trunk supports or a head support.

14W12L	16W12L	18W12L	20W12L
--------	--------	--------	--------

Please note these sizes are not available with 4 POINT when using lateral trunk supports.

*Length (L) refers to the actual size dimension of the support from bottom to top edge.

Sizes available with 2 POINT Mounting Hardware

LENGTH*	22"	14W22L	16W22L	18W22L	20W22L
	20"	14W20L	16W20L	18W20L	20W20L
	18"	14W18L	16W18L	18W18L	20W18L
	16"	14W16L	16W16L	18W16L	20W16L
	14"	14W14L	16W14L	18W14L	20W14L
	12"	14W12L	16W12L	18W12L	20W12L
	10"	14W10L	16W10L	18W10L	20W10L
	14"	16"	18"	20"	
	FRAME WIDTH				

Sizes available with 4 POINT Mounting Hardware

LENGTH*	22"	14W22L	16W22L	18W22L	20W22L
	20"	14W20L	16W20L	18W20L	20W20L
	18"	14W18L	16W18L	18W18L	20W18L
	16"	14W16L	16W16L	18W16L	20W16L
	14"	14W14L	16W14L	18W14L	20W14L
	12"	14W12L	16W12L	18W12L	20W12L
	10"				
	14"	16"	18"	20"	
	FRAME WIDTH				

Sizes available with POWER Mounting Hardware

LENGTH*	22"	14W22L	16W22L	18W22L	20W22L
	20"	14W20L	16W20L	18W20L	20W20L
	18"	14W18L	16W18L	18W18L	20W18L
	16"	14W16L	16W16L	18W16L	20W16L
	14"	14W14L	16W14L	18W14L	20W14L
	12"	14W12L	16W12L	18W12L	20W12L
	10"				
	14"	16"	18"	20"	
	FRAME WIDTH				

2 COVER & HARDWARE SELECTION

Required

2.1 COVER SELECTION

RRP £0.00

Both fabrics are latex-free. Fabric selection is for the support surface only. Other fabrics used in cover construction remain the same.



COMFORT-TEK™ is a smooth, easily cleaned surface. The fluid protection aids in infection control.



STRETCH-AIR™ has comfortable stretch, air transmission and heat dissipation. It is not fluid resistant.

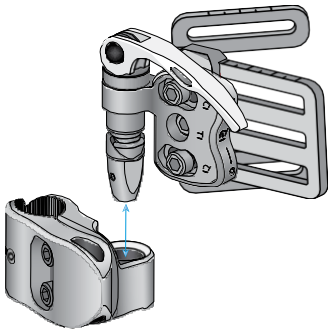
COMFORT-TEK™ Cover
(COMFORT-TEK)

STRETCH-AIR™ Cover
(STRETCH-AIR)

2.2 HARDWARE STYLE

COMPASS® 4 QUICK RELEASE

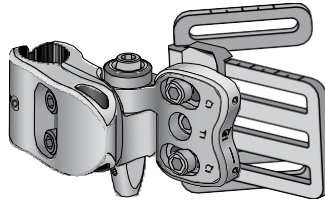
Price included in back support purchase



QUICK RELEASE 2 POINT (Q-COMPASS)
QUICK RELEASE 4 POINT (Q-COMPASS4)

COMPASS® 4 FIXED

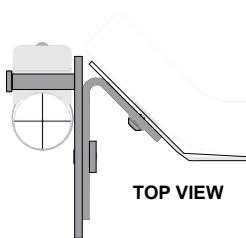
Price included in back support purchase



FIXED fully adjustable hardware requires tools for back support removal

FIXED 2 POINT (NQ-COMPASS)
FIXED 4 POINT (NQ-COMPASS4)

4 POINT hardware is required on all 24"W back supports using Compass® 4 hardware.



3 BACKSUPPORT ADD-ONSELECTIONS

Optional

3.1 COLOR

RRP £24.00

Accent colors are applied via colored piping. Placement of the piping may vary by back support size and mounting hardware. If no colors are selected, our standard silver reflective piping is used at no additional cost.



Color Location

RED (AC-RED)
PURPLE (AC-PURPLE)
PINK (AC-PINK)
BLUE (AC-BLUE)
GREEN (AC-GREEN)
REMOVE (AC-REMOVE)

3.2 EMBROIDERY

RRP £24.00

A. THREAD COLOR OPTIONS

RED (EMB-RED)	BLUE (EMB-BLUE)
PURPLE (EMB-PURPLE)	GREEN (EMB-GREEN)
PINK (EMB-PINK)	SILVER (EMB-SILVER)

B. FONT OPTIONS

Helvetica (EMB-Helvetica)	Twilight (EMB-Twilight)
Garamond (EMB-Garamond)	Script (EMB-Script)

C. WORD ONE

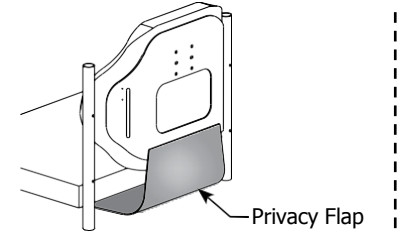
WORD TWO (optional)

*ADDITIONAL LEAD TIMES MAY APPLY

3.3 PRIVACYFLAP

RRP £33.00

This flap connects with hook & loop attachment between the seat and back for added privacy.



Privacy Flap

PRIVACY FLAP (PV-FLAP)

COMFORT-TEK™
is a smooth, easily cleaned surface. The fluid protection aids in infection control.

STRETCH-AIR™
has comfortable stretch, air transmission and heat dissipation.

4 LATERAL TRUNK SUPPORT & HARDWARE

Optional

4.1 LATERAL TRUNK SUPPORT PAD STYLE

£56.00 each

- Select a left and/or right lateral trunk support pad using any combination of size, style and fabric.

*Length (L) refers to the actual size dimension of the support from top to bottom edge.

Lateral Trunk Supports not available for 10"L Back Supports

		4"D x 3"L		5"D x 3"L		5"D x 4"L		6"D x 4"L		6"D x 6"L		7"D x 5"L	
MOLDABLE	COMFORT-TEK	LT1-MF4W3T		LT1-MF5W3T		LT1-MF5W4T		LT1-MF6W4T		LT1-MF6W6T		LT1-MF7W5T	
		Left	Right	Left	Right	Left	Right	Left	Right	Left	Right	Left	Right
		Extra Left	Extra Right	Extra Left	Extra Right	Extra Left	Extra Right	Extra Left	Extra Right	Extra Left	Extra Right	Extra Left	Extra Right
STRETCH-AIR	COMFORT-TEK	LT1-MS4W3T		LT1-MS5W3T		LT1-MS5W4T		LT1-MS6W4T		LT1-MS6W6T		LT1-MS7W5T	
		Left	Right	Left	Right	Left	Right	Left	Right	Left	Right	Left	Right
		Extra Left	Extra Right	Extra Left	Extra Right	Extra Left	Extra Right	Extra Left	Extra Right	Extra Left	Extra Right	Extra Left	Extra Right
MOLDABLE ACTIVE	COMFORT-TEK	LT1-MF4W3T-AL	LT1-MF4W3T-AR	LT1-MF5W3T-AL	LT1-MF5W3T-AR	LT1-MF5W4T-AL	LT1-MF5W4T-AR	LT1-MF6W4T-AL	LT1-MF6W4T-AR	LT1-MF6W6T-AL	LT1-MF6W6T-AR	LT1-MF7W5T-AL	LT1-MF7W5T-AR
		Left	Right	Left	Right	Left	Right	Left	Right	Left	Right	Left	Right
		Extra Left	Extra Right	Extra Left	Extra Right	Extra Left	Extra Right	Extra Left	Extra Right	Extra Left	Extra Right	Extra Left	Extra Right
STRETCH-AIR	COMFORT-TEK	LT1-MS4W3T-AL	LT1-MS4W3T-AR	LT1-MS5W3T-AL	LT1-MS5W3T-AR	LT1-MS5W4T-AL	LT1-MS5W4T-AR	LT1-MS6W4T-AL	LT1-MS6W4T-AR	LT1-MS6W6T-AL	LT1-MS6W6T-AR	LT1-MS7W5T-AL	LT1-MS7W5T-AR
		Left	Right	Left	Right	Left	Right	Left	Right	Left	Right	Left	Right
		Extra Left	Extra Right	Extra Left	Extra Right	Extra Left	Extra Right	Extra Left	Extra Right	Extra Left	Extra Right	Extra Left	Extra Right
RIGID	COMFORT-TEK	LT1-RF4W3T		LT1-RF5W3T		LT1-RF5W4T		LT1-RF6W4T		LT1-RF6W6T		LT1-RF7W5T	
		Left	Right	Left	Right	Left	Right	Left	Right	Left	Right	Left	Right
		Extra Left	Extra Right	Extra Left	Extra Right	Extra Left	Extra Right	Extra Left	Extra Right	Extra Left	Extra Right	Extra Left	Extra Right
RIGID ACTIVE	COMFORT-TEK	LT1-RS4W3T	LT1-RS4W3T-AR	LT1-RS5W3T	LT1-RS5W3T-AR	LT1-RS5W4T	LT1-RS5W4T-AR	LT1-RS6W4T	LT1-RS6W4T-AR	LT1-RS6W6T	LT1-RS6W6T-AR	LT1-RS7W5T	LT1-RS7W5T-AR
		Left	Right	Left	Right	Left	Right	Left	Right	Left	Right	Left	Right
		Extra Left	Extra Right	Extra Left	Extra Right	Extra Left	Extra Right	Extra Left	Extra Right	Extra Left	Extra Right	Extra Left	Extra Right
STRETCH-AIR	COMFORT-TEK	LT1-RS4W3T-AL	LT1-RS4W3T-AR	LT1-RS5W3T-AL	LT1-RS5W3T-AR	LT1-RS5W4T-AL	LT1-RS5W4T-AR	LT1-RS6W4T-AL	LT1-RS6W4T-AR	LT1-RS6W6T-AL	LT1-RS6W6T-AR	LT1-RS7W5T-AL	LT1-RS7W5T-AR
		Left	Right	Left	Right	Left	Right	Left	Right	Left	Right	Left	Right
		Extra Left	Extra Right	Extra Left	Extra Right	Extra Left	Extra Right	Extra Left	Extra Right	Extra Left	Extra Right	Extra Left	Extra Right

4 LATERAL TRUNK SUPPORT & HARDWARE Continued

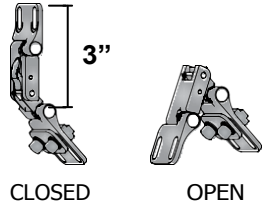
Optional

4.2 LATERAL TRUNK SUPPORT HARDWARE

Select a set of hardware below (Section A). Extra links (Section B) may be selected to add 1" of additional depth and adjustability.

A) SWING AWAY MOUNT

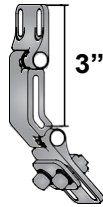
RRP £85.00/ea



LTL-SF-K	LTR-SF-K
Left	Right
Extra Left	Extra Right

RIGID MOUNT

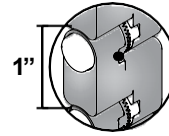
RRP £54.00/bracket



LTL-RF-K	LTR-RF-K
Left	Right
Extra Left	Extra Right

B) EXTRA LINKS

RRP £26.00/link



EXTRA LINK

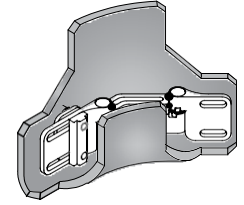
LEFT	LT1-LINK	RIGHT	LT1-LINK
	1 Extra Link		1 Extra Link
	2 Extra Links		2 Extra Links
	3 Extra Links		3 Extra Links
	4 Extra Links		4 Extra Links

Both hardware styles in Section A are width adjustable.

4.3 PROTECTIVE COVER (OPTIONAL)

PROTECTIVE LATERAL HARDWARE COVER

RRP £14.00/ea



LT1-PROTECT2			
	Left		Right
	Extra Left		Extra Right

Cover wraps around hardware and closes with hook and loop attachment.

5 BODILINK HEAD SUPPORT & HARDWARE

Optional

5.1 HEAD SUPPORT PAD STYLE

RRP £98.00

Length (L) refers to the actual size dimension of the support from bottom to top edge.

		Pad Firmness	
L		Soft	BL-HSP1-6W3L
		Extra Soft	BL-HSP2-6W3L
L		Soft	BL-HSP1-8W4L
		Extra Soft	BL-HSP2-8W4L
L		Soft	BL-HSP1-10W5L
		Extra Soft	BL-HSP2-10W5L
L		Soft	BL-HSP1-14W5L
		Extra Soft	BL-HSP2-14W5L
L		Soft	BL-HSP1-18W5L
		Extra Soft	BL-HSP2-18W5L

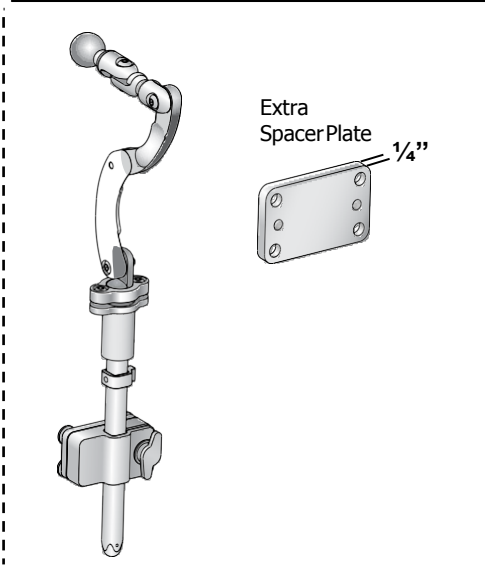
5.2 PAD COVER MATERIAL

	FOR SKIN PROTECTION & SHEAR REDUCTION. NOT FLUID RESISTANT.
	FOR FLUID PROTECTION & AN EASILY CLEANED SURFACE.
	FOR AIR TRANSMISSION & HEAT DISSIPATION.
	GlideWear® (GLIDEWEAR)
	Comfort-Tek (COMFORT-TEK)
	Stretch-Air (STRETCH-AIR)

5.3 HEAD SUPPORT HARDWARE

BodiLink Head Support not available for 10"L Back Supports

HEAD SUPPORT HARDWARE
RRP £132.00/ea.
RRP£29.00/Plate



	Removable Hardware* (BL-HSH-FX)
	Extra Spacer Plate (BL-HSH-SPCR)