

alber®

via GO®

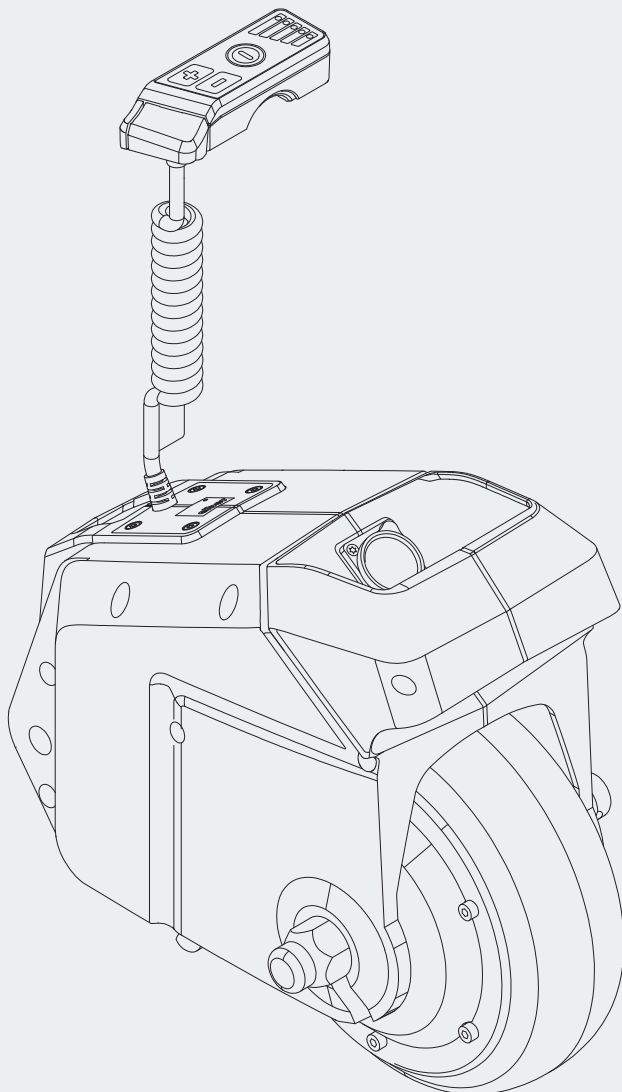
Kompakte Schiebehilfe

Gebrauchsanweisung via GO V24

DE

Instructions for Use via GO V24

EN



CE



Service Center (Deutschland)

Montag bis Donnerstag von

800 - 800 Uhr

Freitags von

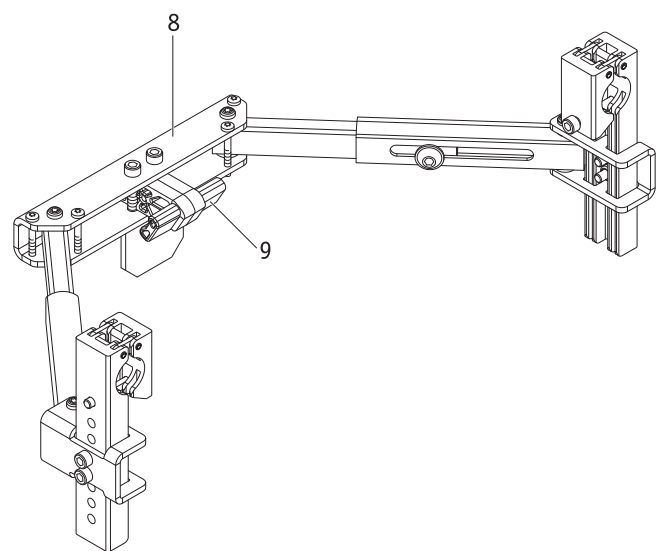
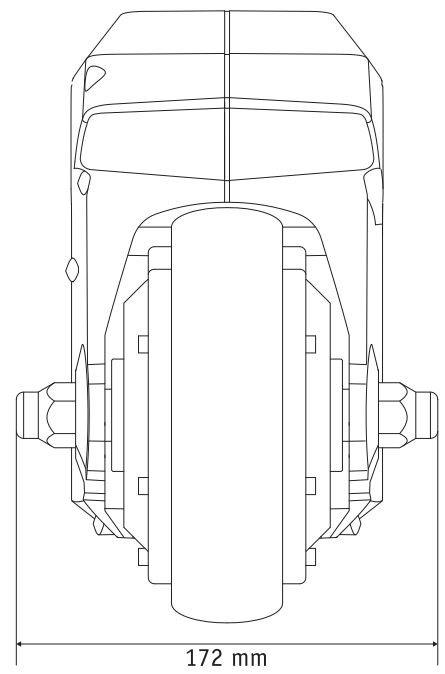
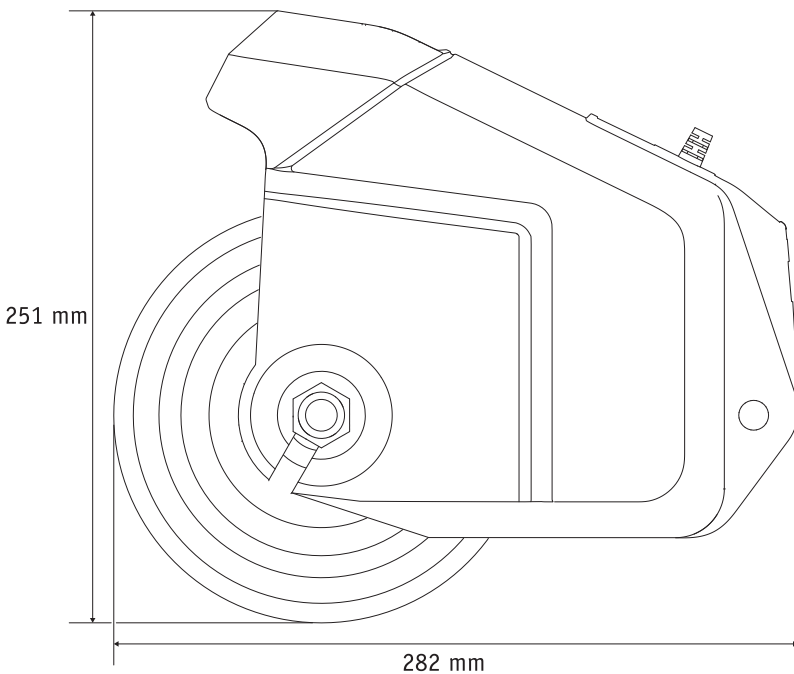
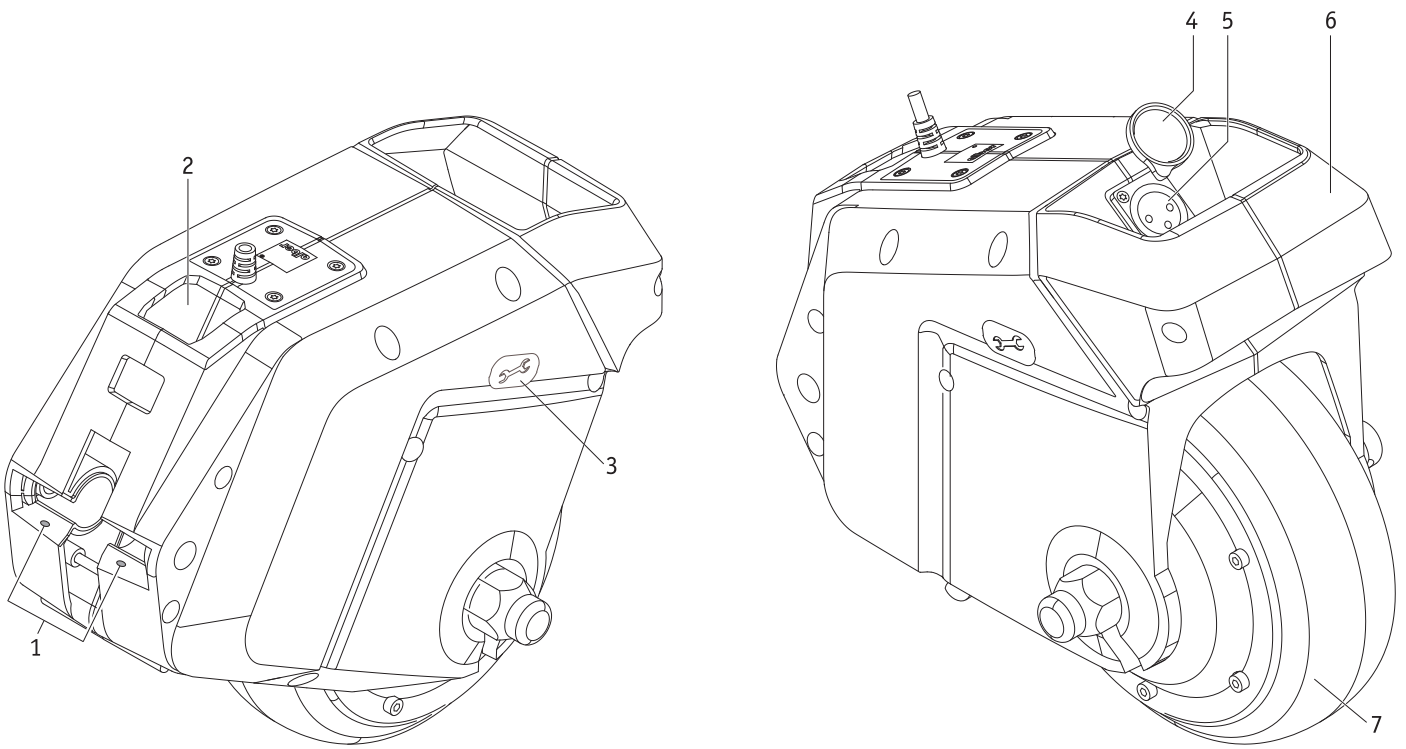
800 - 600 Uhr

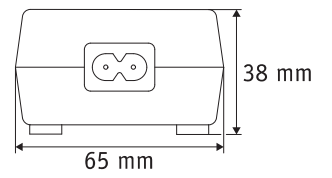
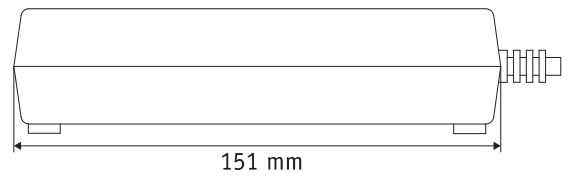
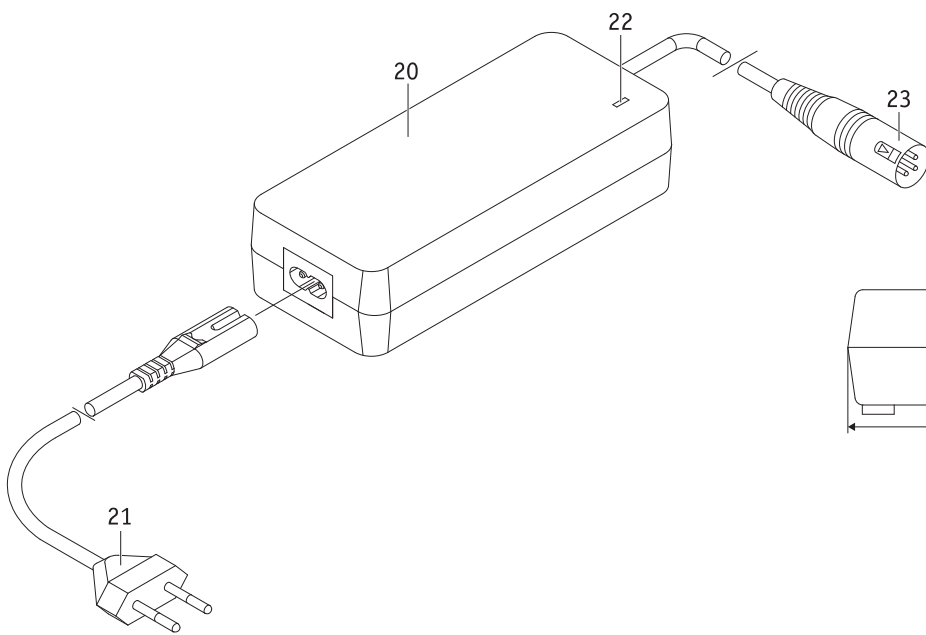
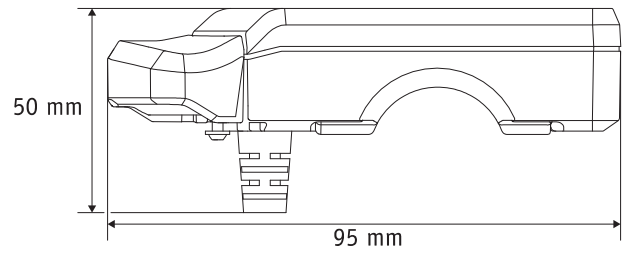
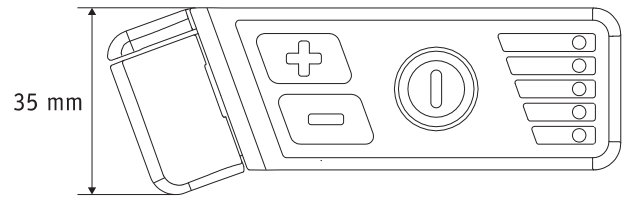
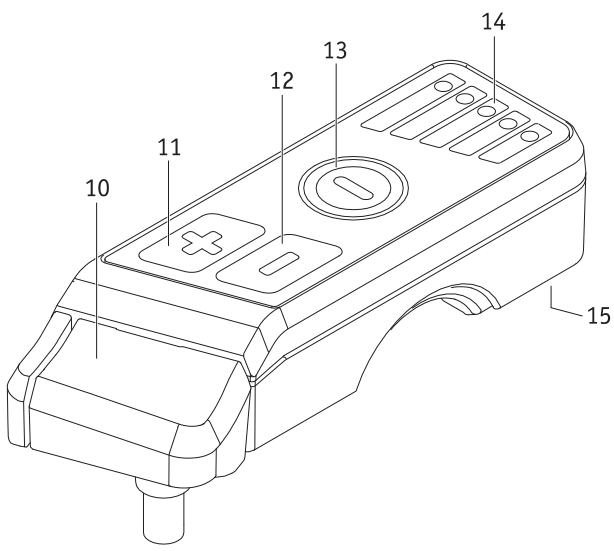
erreichbar unter

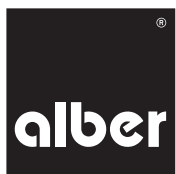
Telefon (0800) 9096-250

(gebührenfrei)









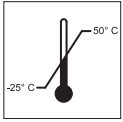




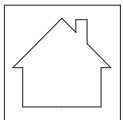
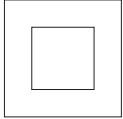
CE

MD

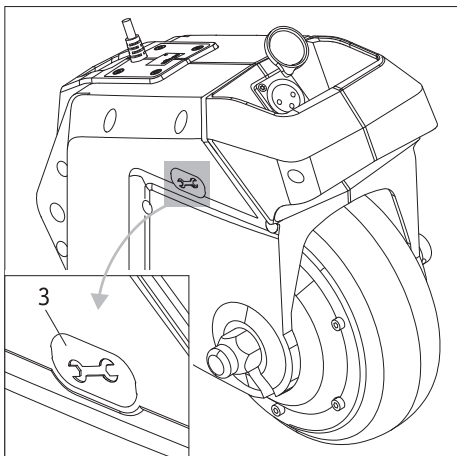


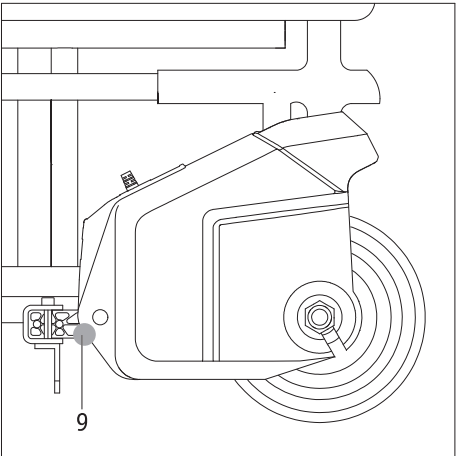
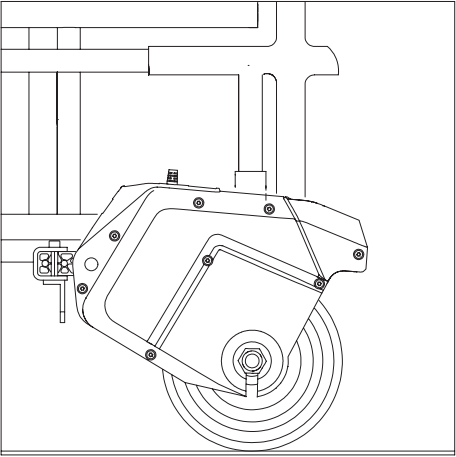
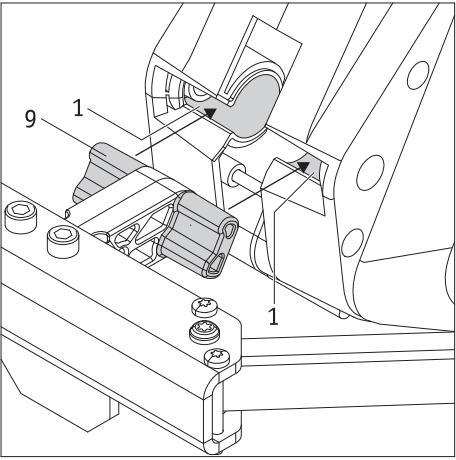
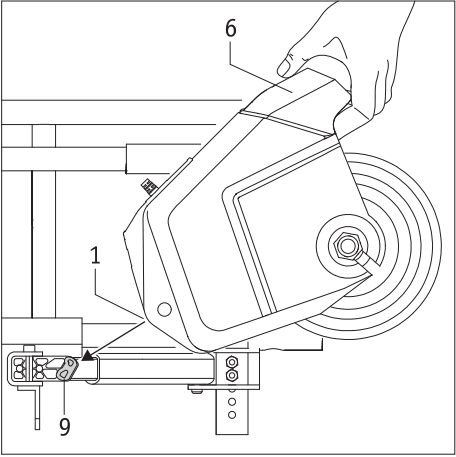


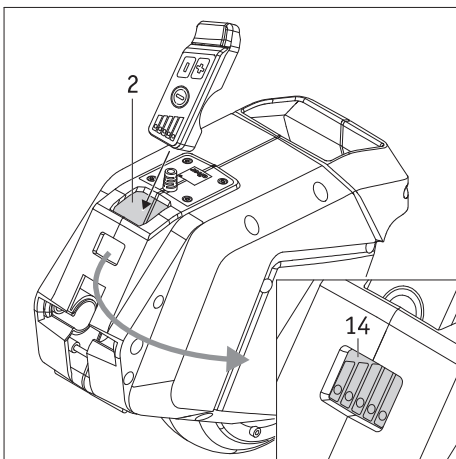
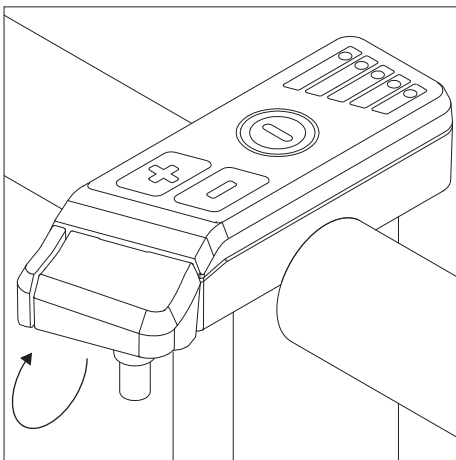
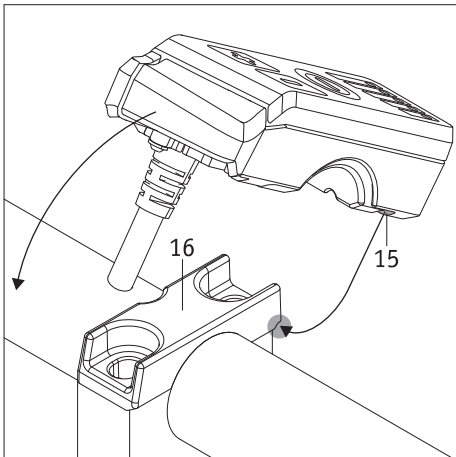
i

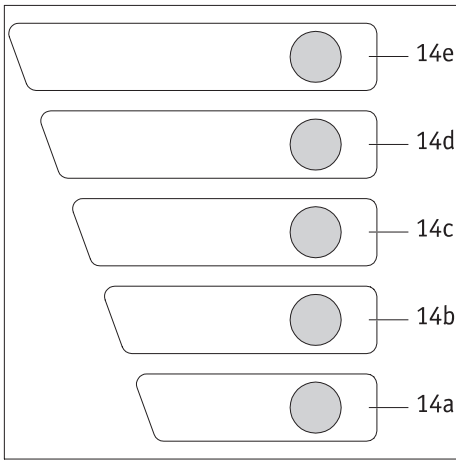
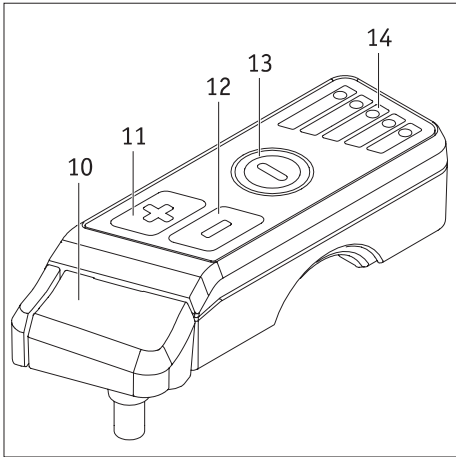




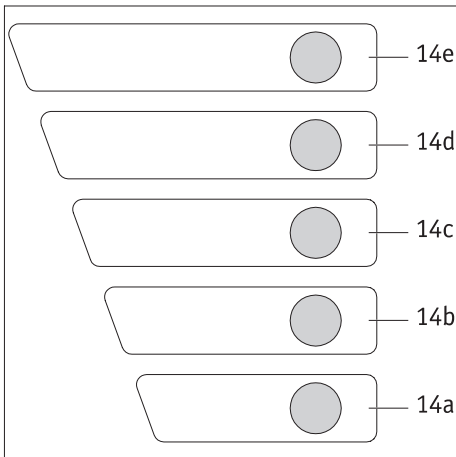
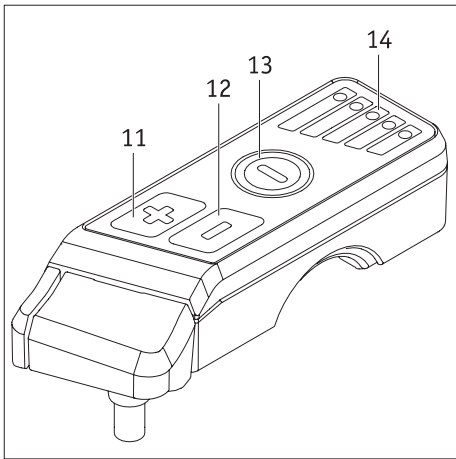




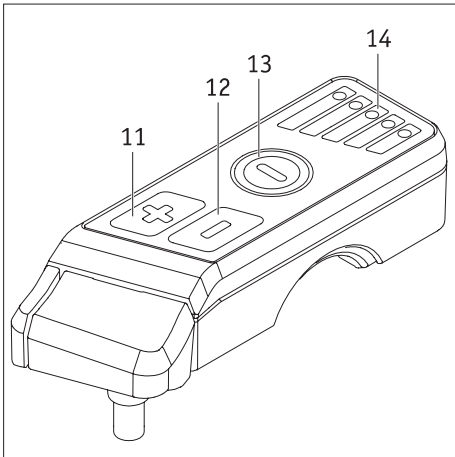
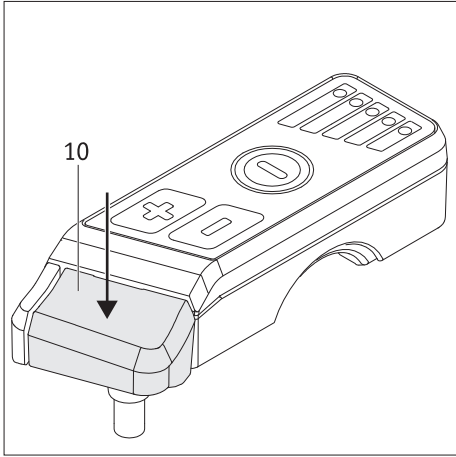


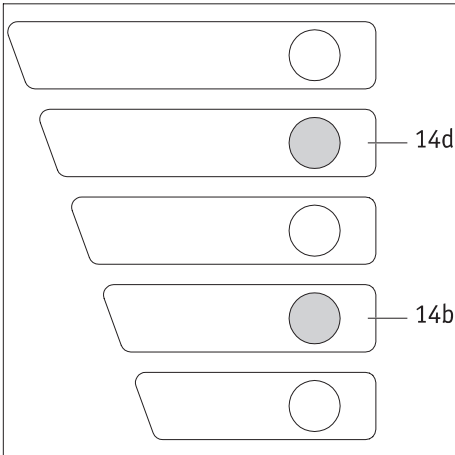


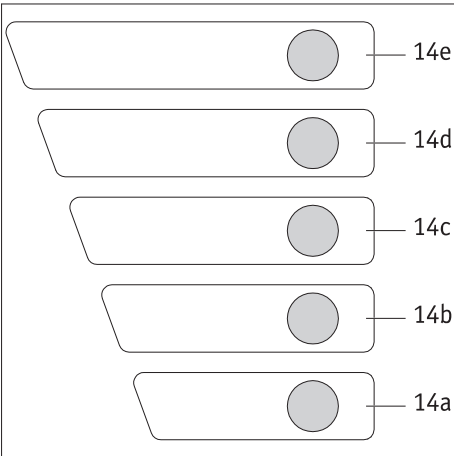
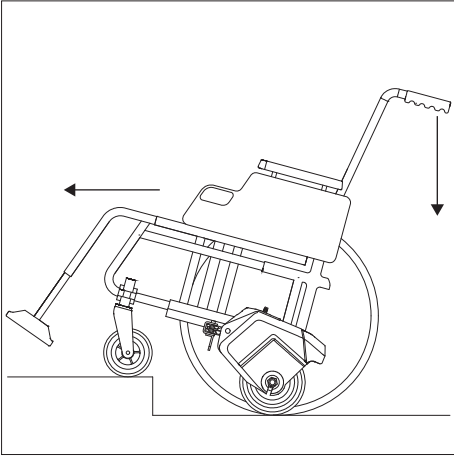




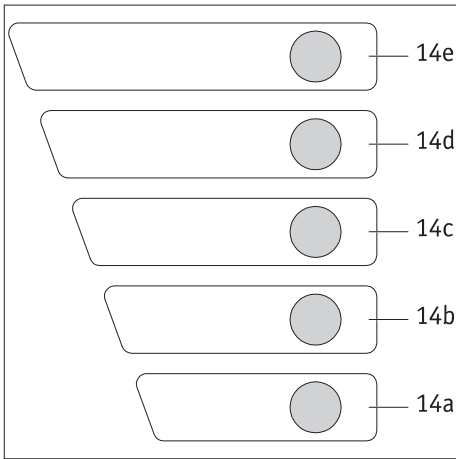
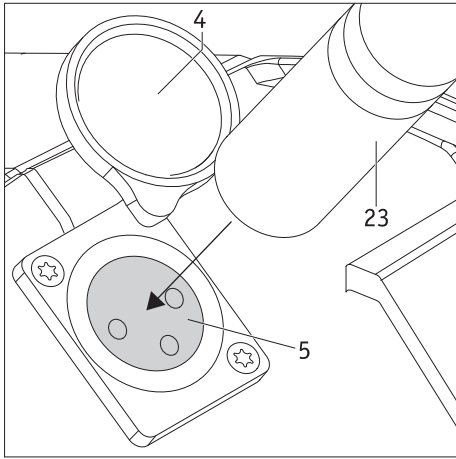




















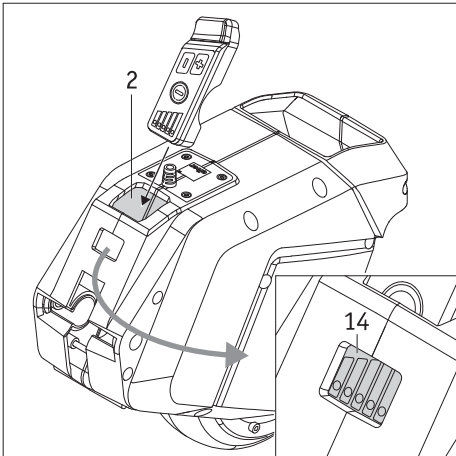
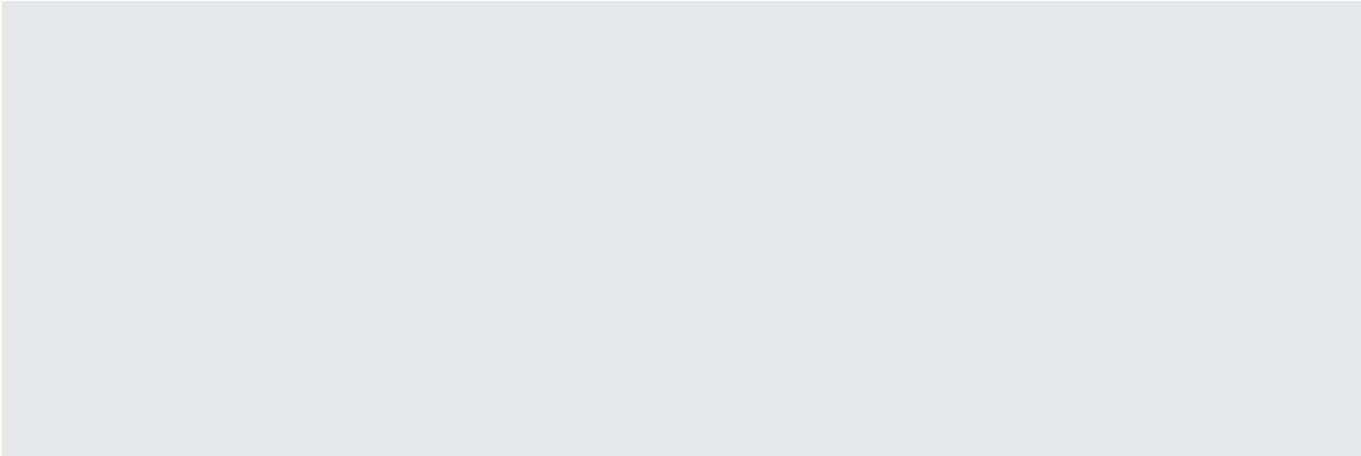














CE



**Wartung
Maintenance**

am/at:

durch/by:

in (PLZ)/in:

| | | | |
|------|---------|------|------|
| 01 | nächste | 07 | |
| 02 | next | 08 | |
| 03 | | 09 | |
| 04 | | 10 | |
| 05 | | 11 | |
| 06 | | 12 | |
| 2021 | 2022 | 2023 | 2024 |

**BATTERY CHARGER
BC3610LI**

ODM-Model: WS40-1-36
 Input Voltage : 100~240Vac
 50/60Hz
 Input Current: 0.2A~0.4A
 Input Power: 41W
 Output Voltage: 36V
 Output Current: 1A
 Battery Capacity : 2Ah~10Ah
 Battery type:
 Rechargeable lithium ion
 Protection class:IP31
 Polarity of connector:

| | |
|---|---------|
| 1 | + |
| 2 | - |
| 3 | Inhibit |

Indication:
 Green Flashing-charging in progress
 Green -Charging finished
 Red -Fault

CAUTION:

- Read instructions before use for charging.
- Dry location use only.
- Disconnected the supply before making or breaking the connection to the battery.
- Charge only the batteries mentioned in the manual. other types may burst causing injury and damage.

Made For **alber** by
 Shanghai Winsunny Electronics
 Technology Co., Ltd.

1520540 051021.0



1016133494



4046727146443





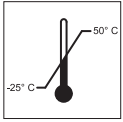




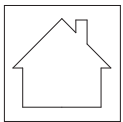
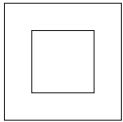
CE

MD

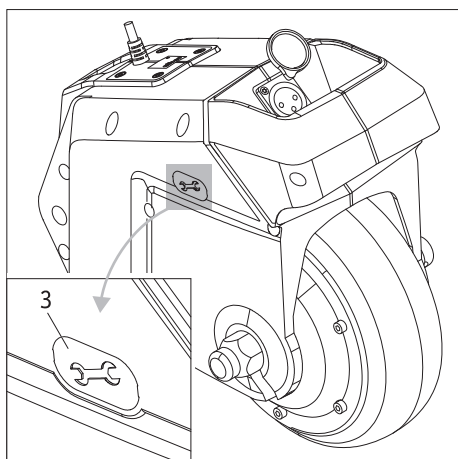


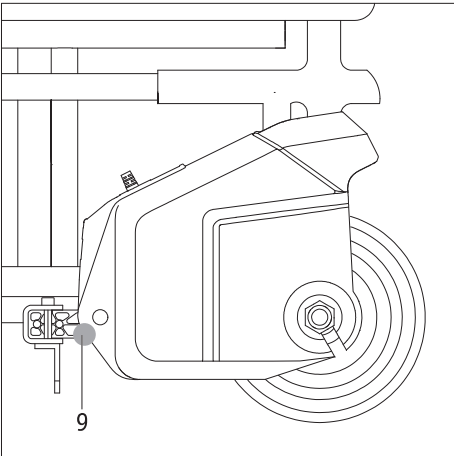
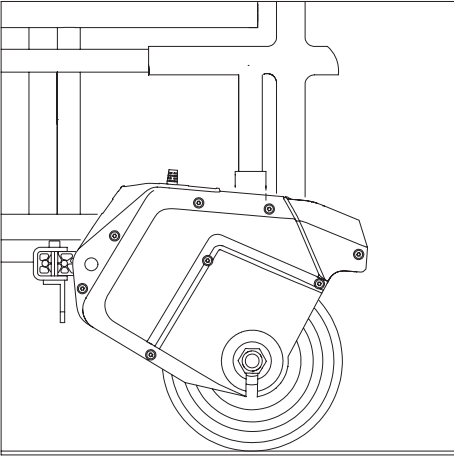
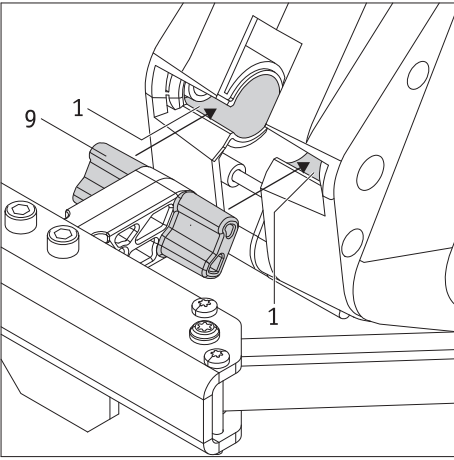
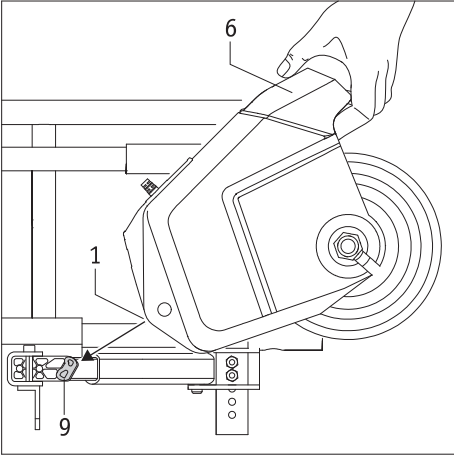


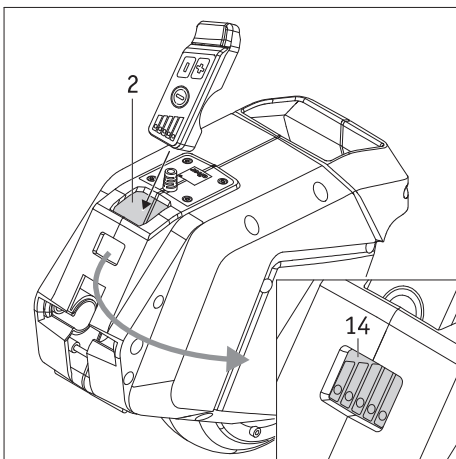
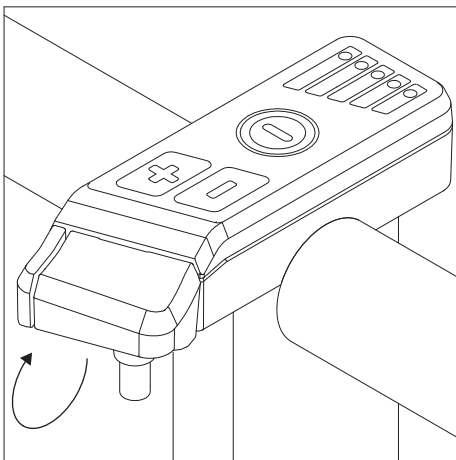
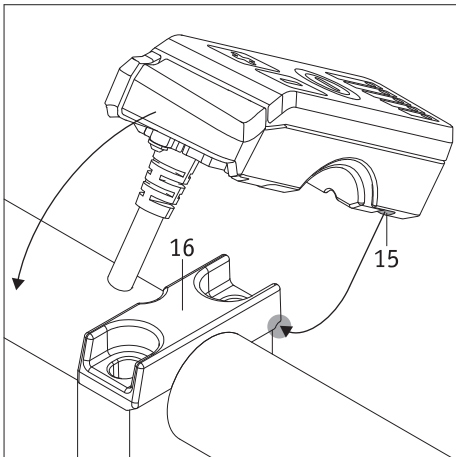
i

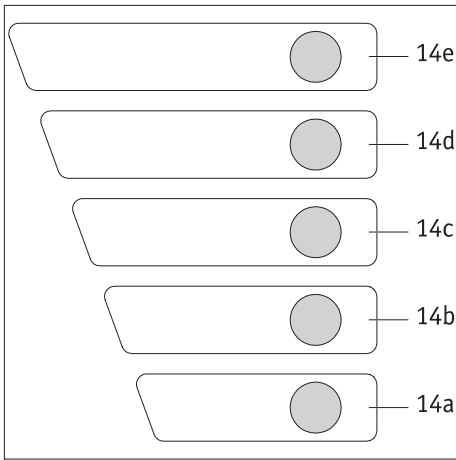
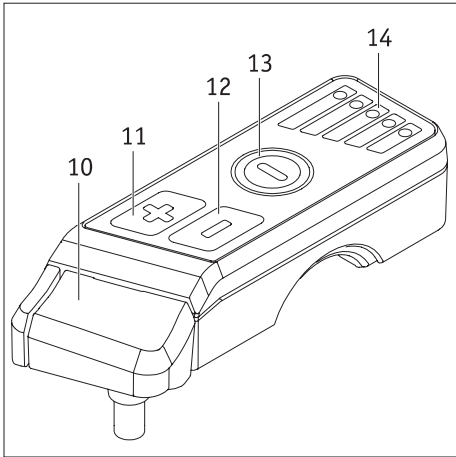




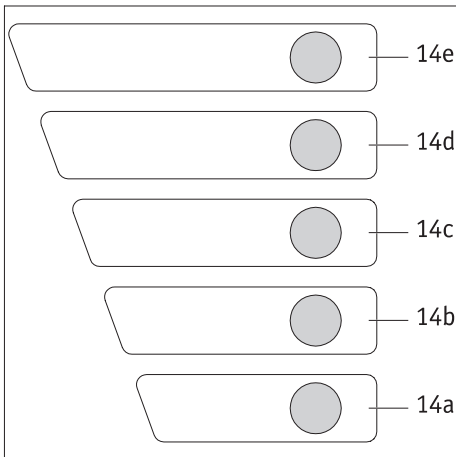
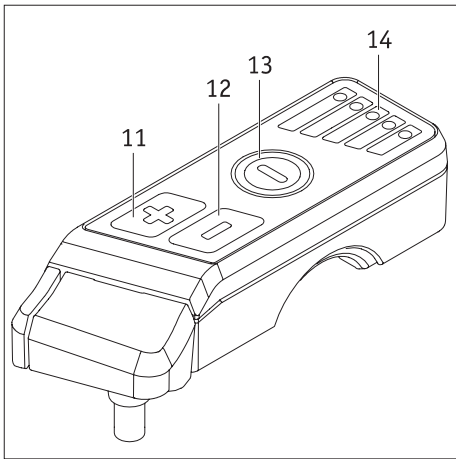




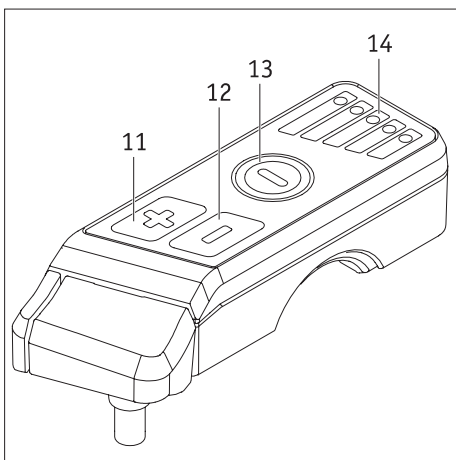
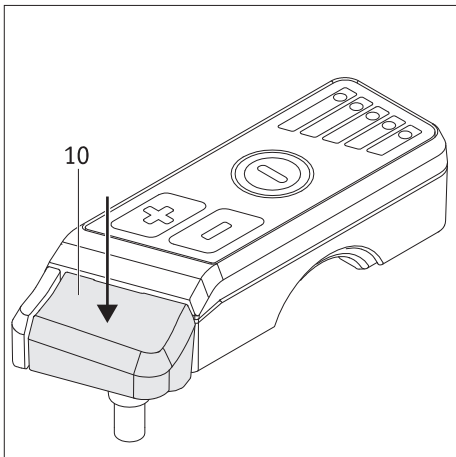


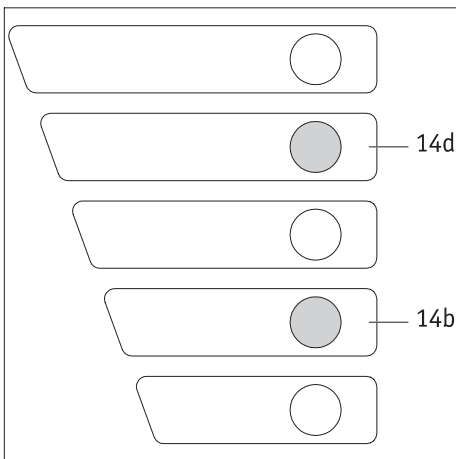


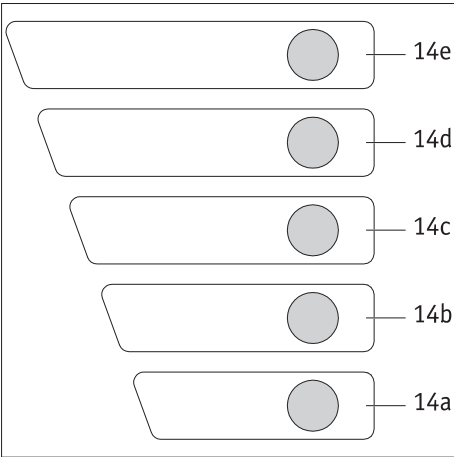
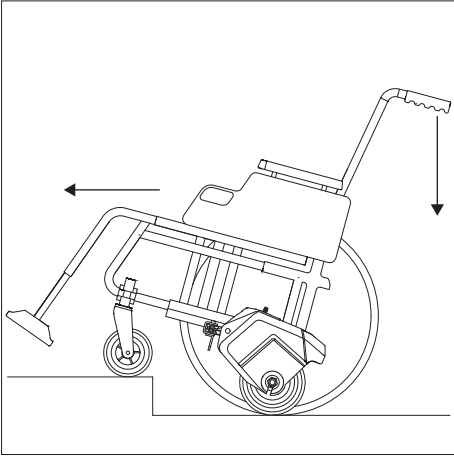




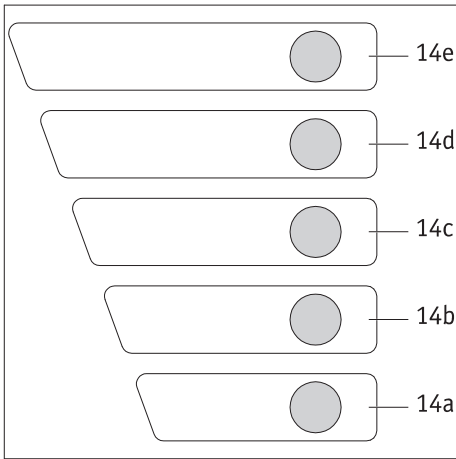
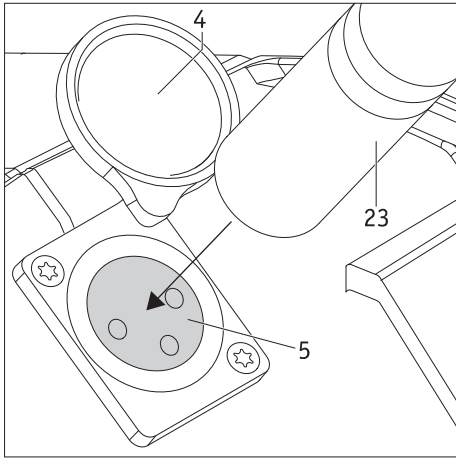




















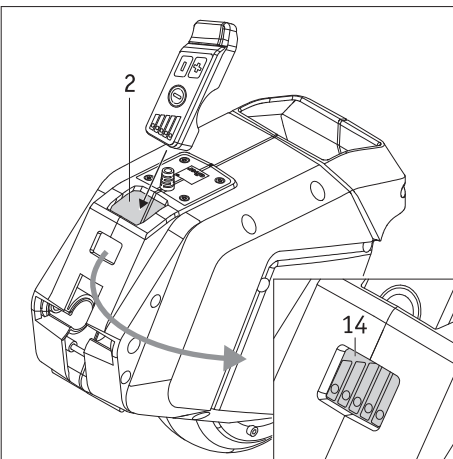
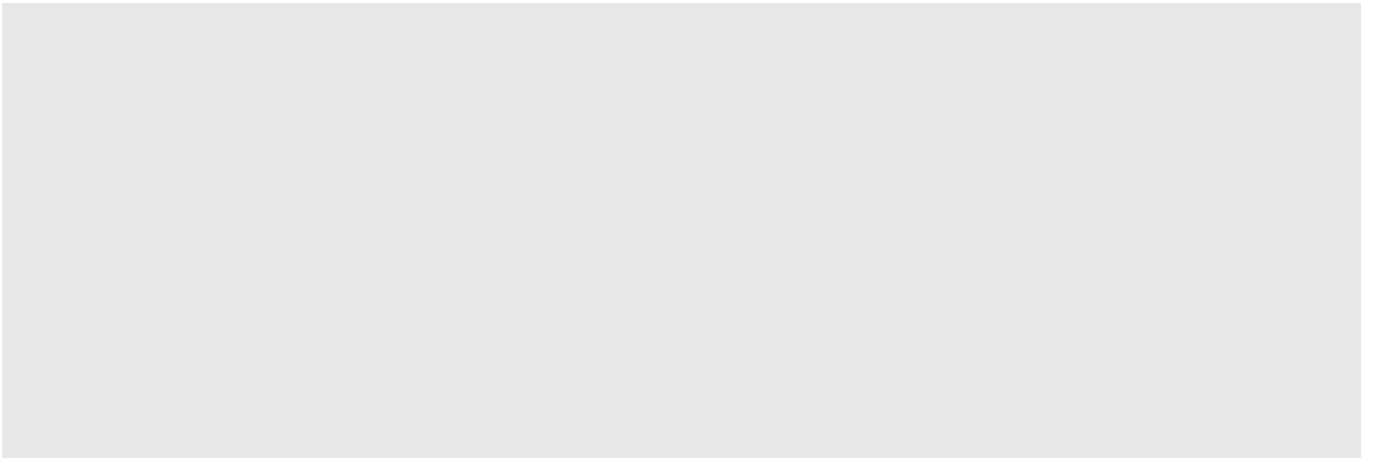














CE



**Wartung
Maintenance**

am/at:


durch/by:

in (PLZ)/in:

| | | | |
|------|--------------|------|------|
| 01 | nächste | 07 | |
| 02 | next | 08 | |
| 03 | | 09 | |
| 04 | | 10 | |
| 05 | alber | 11 | |
| 06 | | 12 | |
| 2021 | 2022 | 2023 | 2024 |




**BATTERY CHARGER
BC3610LI**




ODM-Model: WS40-1-36
 Input Voltage :100~240Vac
 50/60Hz
 Input Current: 0.2A~0.4A
 Input Power: 41W
 Output Voltage: 36V
 Output Current: 1A
 Battery Capacity : 2Ah~10Ah
 Battery type:
 Rechargeable lithium ion
 Protection class:IP31
 Polarity of connector:



1 +
2 -
3 Inhibit

Indication:
 Green Flashing-charging in progress
 Green -Charging finished
 Red -Fault

CAUTION:

- Read instructions before use for charging.
- Dry location use only.
- Disconnected the supply before making or breaking the connection to the battery.
- Charge only the batteries mentioned in the manual. other types may burst causing injury and damage.

Made For **alber** by
 Shanghai Winsunny Electronics
 Technology Co., Ltd.

1520540 051021.0



→ 1016133494



4046727146443



Ihre Alber-Vertretung /our Alber representative /Votre representation Alber /
Sizin Alber-Temsilci /Su representacin Alber /Din Alber representant /
Din Alber-agenturene /Uw distributeur Alber /Deres Alber-representation



Alber GmbH
Vor dem W&Bn Stein 4
2461Albstadt-Tailfingen
Telefon 49 (0) 71 2006-0
Telefax 49 (0) 71 2006-299
infoalberde
wwwalberde