



Prefitform Lagooni Compact attended propelled Questions during the pre-fit? + 31 (0) 174-281551

Frame:

ECFRA05	Aluminium Compact frame 4 swivel wheels and high-low system	
----------------	---	--

Seat:

EZIT01	Seat upholstered with polyether and neoprene / platilon / Lagoprene	Opening front / rear / middle / left / right / none		
	Standard width measurements 40-42-44-46 cm	W	D	O Ø
EZIT07	Fill up part (<i>price increase</i>)			
EZIT08	Abduction part (<i>price increase</i>)			

Measurements and opening size to be filled in on drawing

Backrest:

	Backrest (<i>width is equal to seatwidth</i>)	W	H 48 cm
ECRUG01	Backrest covered with black water resistant canvas	W	H
ECRUG01B	Backrest upholstered with polyether and neoprene / platilon / Lagoprene (<i>price increase</i>)	W	H
ECRUG01BZIJ	Backrest with lateral support (<i>price increase</i>)		

Measurements to be filled in on drawing

Armrests:

ECARM02	Swing away aluminium armrests H 23 cm		
ECARM04	Swing away aluminium armrests deviant height (<i>price increase</i>)		
ECARM03B	Swing away aluminium armrests with horizontal angle (<i>price increase</i>)		
ECARM05	Standard armpads left and right		
ECARM06	Armpad upholstered with polyether and neoprene / platilon / Lagoprene (<i>price increase</i>)	W	L
	Armpad extended forwards / backwards		cm

Measurements to be filled in on drawing

Footrests:

ECBE01SET	Swing away and removable legrests with flip-up footrests	
EVOE09	Flip-up footrests upholstered with polyether and neoprene / platilon / Lagoprene (<i>price increase</i>)	

Height of footrest to be filled in on drawing

Headrest

ECSTE02	Headrest upholstered with polyether and neoprene / platilon / Lagoprene (<i>price increase</i>)	
ECSTE03	PU-foam (<i>price increase</i>)	

Lateral support:

ECSTE01L	Lateral support left, upholstered with polyether and neoprene / platilon / Lagoprene (price increase)	B	H
ECSTE01R	Lateral support right, upholstered with polyether adn neoprene / platilon / Lagoprene (price increase)	B	H

Legsupport and legstrap:

EKUI01	Legstrap (adjustable) made of neoprene (price increase)	L	H
---------------	---	---	---

Stainless steel rails:

ETOO03	Rails for stainless steel bedpan Ø 30 cm (price increase)	
ETOO06	Rails for stainless steel toilet bucket Ø 30 cm (price increase)	
ETOO05	Rails for plastic toilet bucket (price increase)	

Bedpan/bucket:

ETOO02	Stainless steel bedpan with lid (price increase, recommended for suitcase)	
ETOO04	Stainlesssteel toilet bucket with lid (price increase)	
ETOO01	Grey plastic toilet bucket with lid (price increase)	

Upholstery:

Platilon: **Red / Blue / Green / Gray / Black / Marine**

Neoprene: **Black**

Lagoprene: **Pink / Blue / Black**

ECDRT02	Suitcase with wheels	
----------------	-----------------------------	--

Attention! Some options limit the options for transportation in a suitcase

Supplier:
Adress:
Postal code and City:
Telephone:
Email:
Client name:

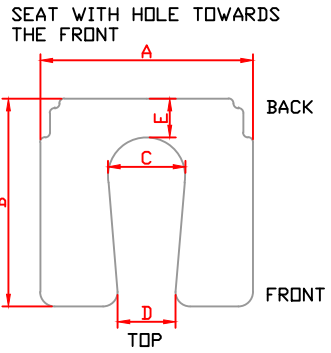
A cm

B cm

C cm

D cm

E cm



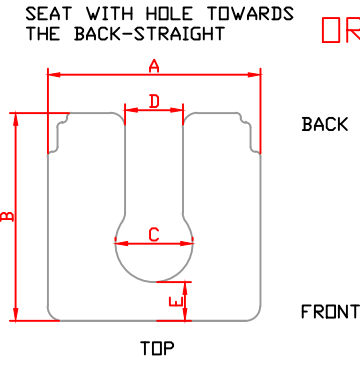
A cm

B cm

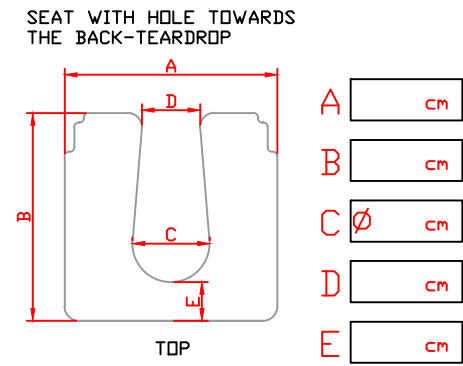
C cm

D cm

E cm



OR



A cm

B cm

C cm

D cm

E cm

A cm

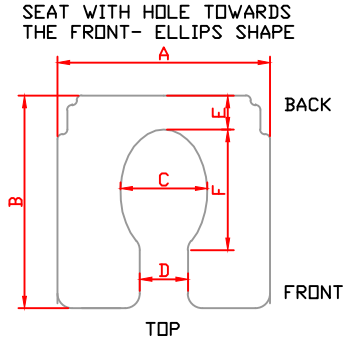
B cm

C cm

D cm

E cm

F cm



A cm

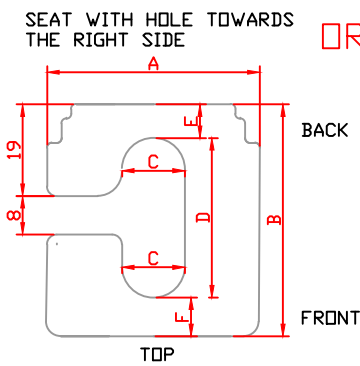
B cm

C cm

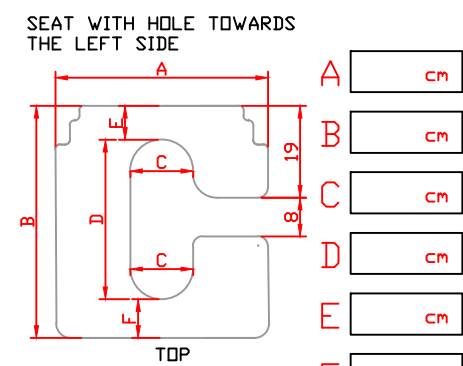
D cm

E cm

F cm



OR



A cm

B cm

C cm

D cm

E cm

F cm

A cm

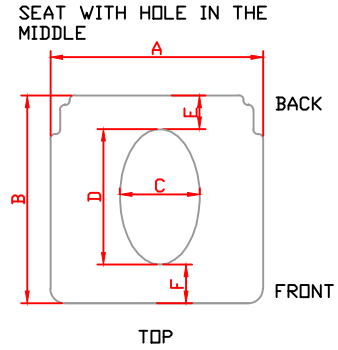
B cm

C cm

D cm

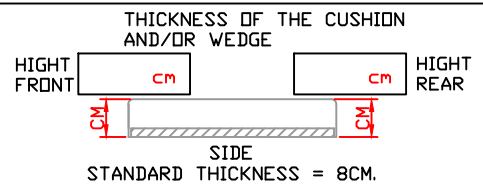
E cm

F cm



MATERIAL TYPE EN COLOUR:

		BLACK					
NEDPREEN	<input type="text"/>	<input type="text"/>					
		BLACK	RED	LIGHT BLUE	GREEN	GREY	MARINE BLUE
PLATILON	<input type="text"/>	<input type="text"/>	<input type="text"/>	<input type="text"/>	<input type="text"/>	<input type="text"/>	<input type="text"/>
		BLACK	RED	PINK			
LAGOPRENE	<input type="text"/>	<input type="text"/>	<input type="text"/>	<input type="text"/>			



SETTINGS

