



Prefitform Lagooni Junior Special

Questions during the pre-fit? + 31 (0) 174-281551

Frame:

ECFRA09JS	Boxframe aluminium Junior Special with high/low system and 24" combo wheels (<i>standard</i>)	
ECFRA09JS-20	Boxframe aluminium Junior Special with high/low system and 20" fibre spoke wheels (<i>price increase</i>)	
ECFRA09JS-26	Boxframe aluminium Junior Special with high/low system and 26" fibre spoke wheels (<i>price increase</i>)	
EFRA10	Removing bended support tube	

Wheels and pushrims:

EWIE02	Rubber pushrim covers for extra grip (<i>price increase</i>)	
EWIE11	Pushrims mounted against wheels (<i>price increase</i>)	
EWIE10	Without pushrims (<i>price increase</i>)	
EWIE12	Pushrims with tetranops (<i>price increase</i>)	
EWIE14	Wheels mounted closer to frame (<i>price increase</i>)	

Brakes:

ECREM01	Brakes with angle lock (<i>standard</i>)	
EREM05	Extending brakes (<i>price increase</i>)	
ECREM06	Scissor brakes (<i>price increase</i>)	

Seat:

EZIT02	Seat upholstered with polyether and neoprene / platilon / Lagoprene	Opening front / rear / middle / left / right / none		
	Standard width measurements 40-42-44-46 cm	W	D	O Ø
EZIT07	Fill up part (<i>price increase</i>)			
EZIT08	Abduction part (<i>price increase</i>)			

Measurements and opening size to be filled in on drawing

Backrest:

	Backrest (<i>width is equal to seatwidth</i>)	W	H 48 cm
ECRUG20	Backrest covered with black water resistant canvas Junior	W	H
ECRUG20B	Backrest covered with polyether and neoprene / platilon / Lagoprene (<i>price increase</i>)	W	H
ECRUG20BZIJ	Backrest with lateral support (<i>price increase</i>)	W	H

Measurements to be filled in on drawing

Armrests:

ECARM03	Swing away aluminium armrests H 16 cm	
ECARM04	Swing away aluminium armrests custom height (<i>price increase</i>)	
ECARM03J	Swing away aluminium armrest with horizontal angle (<i>price increase</i>)	

ECARM05	Standard armpads left and right		
ECARM06J	Armpad upholstered with polyether and neoprene / platilon / Lagoprene (price increase)	W	L
	Armpad extended forwards / backwards		
	<i>Measurements to be filled in on drawing</i>	cm	

Footrests:

ECVOE04	One piece footrest with polyether en neoprene / platilon / Lagoprene Junior		
ECB01SET	Swing away and removable legrests with flip-up footrests		
EVOE09	Padding with polyether and neoprene / platilon / Lagoprene flip-up footrests (price increase)		
ECVOE010	Flip-up footrest (one piece backwards) max LLL 35 cm		
	<i>Height of footrest to be filled in on drawing</i>		

Anti-tip:

ECATI01	Anti-tip system with pedal and quick release pin (price increase)		
----------------	---	--	--

Headrest

ECSTE02	Headrest upholstered with polyether and neoprene / platilon / Lagoprene (price increase)		
ECSTE03	PU-foam (price increase)		

Lateral support:

ECSTE01L	Lateral support left, upholstered with polyether and neoprene / platilon / Lagoprene (price increase)	B	H
ECSTE01R	Lateral support right, upholstered with polyether and neoprene / platilon / Lagoprene (price increase)	B	H

Legsupport and legstrap:

EKUI02	Calf protector (price increase)		
EKUI01	Legstrap (adjustable) made of neoprene (price increase)	L	H

Stainless steel rails:

ETOO03	Rails for stainless steel bedpan Ø 30 cm (price increase)		
ETOO06	Rails for stainless steel toilet bucket Ø 30 cm (price increase)		
ETOO05	Rails for plastic toilet bucket (price increase)		

Bedpan/bucket:

ETOO02	Stainless steel bedpan with lid (price increase, recommended for suitcase)		
ETOO04	Stainlesssteel toilet bucket with lid (price increase)		
ETOO01	Grey plastic toilet bucket with lid (price increase)		

Upholstery:

Platilon: **Red / Blue / Green / Gray / Black / Marine**

Neoprene: Black

Lagoprene: **Pink / Blue / Black**

Supplier:
Adress:
Postal code and City:
Telephone:
Email:
Supplier:

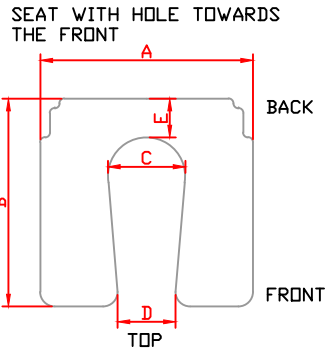
A cm

B cm

C cm

D cm

E cm



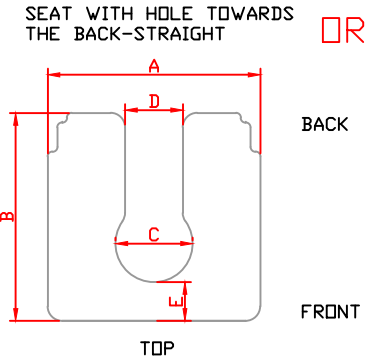
A cm

B cm

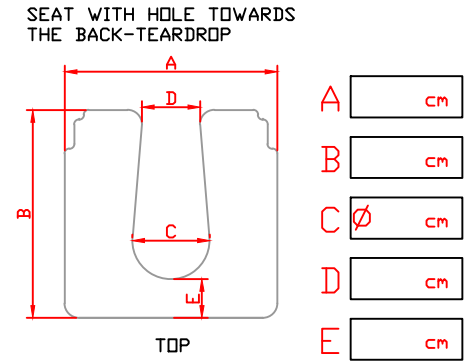
C cm

D cm

E cm



OR



A cm

B cm

C cm

D cm

E cm

A cm

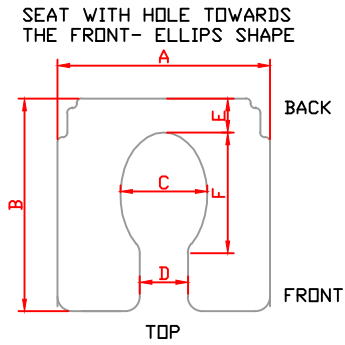
B cm

C cm

D cm

E cm

F cm



A cm

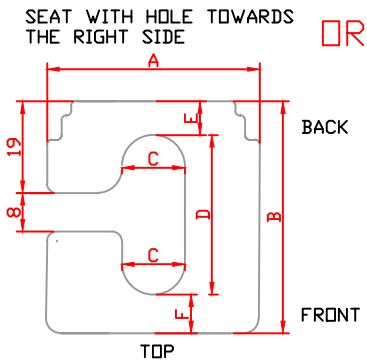
B cm

C cm

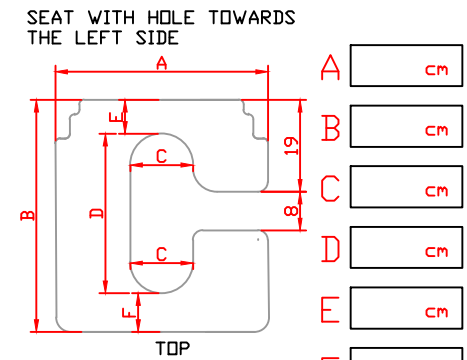
D cm

E cm

F cm



OR



A cm

B cm

C cm

D cm

E cm

F cm

A cm

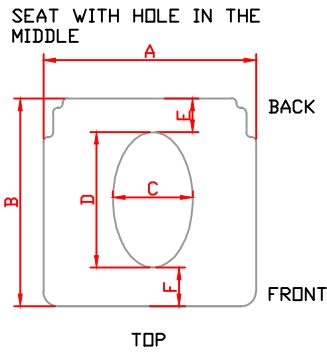
B cm

C cm

D cm

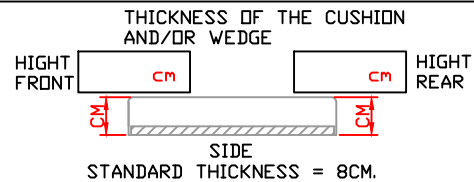
E cm

F cm



MATERIAL TYPE EN COLOUR:

		BLACK					
NEDPREEN	<input type="text"/>	<input type="text"/>					
PLATILON	<input type="text"/>	BLACK	RED	LIGHT BLUE	GREEN	GREY	MARINE BLUE
		<input type="text"/>	<input type="text"/>	<input type="text"/>	<input type="text"/>	<input type="text"/>	<input type="text"/>
LAGOPRENE	<input type="text"/>	BLACK	RED	PINK			
		<input type="text"/>	<input type="text"/>	<input type="text"/>			



SETTINGS

