



Prefitform Lagooni Junior XS

Questions during the pre-fit? + 31 (0) 174-281551

**Frame:**

<b>ECFRA07</b>	Boxframe aluminium Junior XS with adjustable backrest and 24" combo wheels ( <i>standard</i> )	
<b>ECFRA07-20</b>	Boxframe aluminium Junior XS with adjustable backrest and 20" fibre spoke wheels ( <i>price increase</i> )	
<b>ECFRA07-26</b>	Boxframe aluminium Junior XS with adjustable backrest and 26" fibre spoke wheels ( <i>price increase</i> )	

**Wheels and pushrims:**

<b>EWIE02</b>	Rubber pushrim covers for extra grip ( <i>price increase</i> )	
<b>EWIE11</b>	Pushrims mounted against wheels ( <i>price increase</i> )	
<b>EWIE10</b>	Without pushrims ( <i>price increase</i> )	
<b>EWIE12</b>	Pushrims with tetranops ( <i>price increase</i> )	
<b>EWIE14</b>	Wheels mounted closer to frame ( <i>price increase</i> )	

**Brakes:**

<b>ECREM01</b>	Brakes with angle lock ( <i>standard</i> )	
<b>EREM05</b>	Extending brakes ( <i>price increase</i> )	
<b>ECREM06</b>	Scissor brakes ( <i>price increase</i> )	

**Seat:**

<b>EZIT02XS</b>	Seat upholstered with polyether and <b>neoprene / platilon / Lagoprene</b> Standard width measurements 30-32-34-36 cm	<b>Opening front / rear / middle / none</b>		
<b>EZIT07</b>	Fill up part ( <i>price increase</i> )	W	D	O Ø
<b>EZIT08</b>	Abduction part ( <i>price increase</i> )			

*Measurements and opening size to be filled in on drawing*

**Backrest:**

	Backrest ( <i>width is equal to seatwidth</i> )	W	H 48 cm
<b>ECRUG23</b>	Backrest covered with black water resistant canvas Junior	W	H
<b>ECRUG23B</b>	Backrest covered with polyether and <b>neoprene / platilon / Lagoprene</b> ( <i>price increase</i> )	W	H

*Measurements to be filled in on drawing*

**Armrests:**

<b>ECARM03</b>	Swing away aluminium armrests H 16 cm		
<b>ECARM04</b>	Swing away aluminium armrests custom height <i>(price increase)</i>		
<b>ECARM03J</b>	Swing away aluminium armrest with horizontal angle <i>(price increase)</i>		
<b>ECARM05</b>	Standard armpads left and right		
<b>ECARM06J</b>	Armpad upholstered with polyether and <b>neoprene / platilon / Lagoprene</b> <i>(price increase)</i>	W	L
	Armpad extended <b>forwards / backwards</b>		cm
	<i>Measurements to be filled in on drawing</i>		

**Footrests:**

<b>ECVOE09</b>	One piece footrest with polyether en <b>neoprene / platilon / Lagoprene</b> Junior		
<b>ECVOE010</b>	Flip-up footrest (one piece backwards) max LLL 35 cm		
	<i>Height of footrest to be filled in on drawing</i>		

**Anti-tip:**

<b>ECATI01</b>	Anti-tip system with pedal and quick release pin <i>(price increase)</i>		
----------------	--	--	--

**Headrest**

<b>ECSTE02</b>	Headrest upholstered with polyether and <b>neoprene / platilon / Lagoprene</b> <i>(price increase)</i>		
<b>ECSTE03</b>	PU-foam <i>(price increase)</i>		

**Lateral support:**

<b>ECSTE01L</b>	Lateral support left, upholstered with polyether and <b>neoprene / platilon / Lagoprene</b> <i>(price increase)</i>	B	H
<b>ECSTE01R</b>	Lateral support right, upholstered with polyether and <b>neoprene / platilon / Lagoprene</b> <i>(price increase)</i>	B	H

**Legsupport and legstrap:**

<b>EKUI02</b>	Calf protector <i>(price increase)</i>		
<b>EKUI01</b>	Legstrap (adjustable) made of neoprene <i>(price increase)</i>	L	H

**Stainless steel rails:**

<b>ETOO07</b>	Rails for plastic toilet bucket <i>(price increase)</i>		
---------------	---	--	--

**Bedpan/bucket:**

<b>ETOO08</b>	Blue plastic toilet bucket with lid <i>(price increase)</i>		
---------------	---	--	--

**Upholstery:**

Platilon: **Red / Blue / Green / Gray / Black / Marine**

Neoprene: **Black**

Lagoprene: **Pink / Blue / Black**

<b>Supplier:</b>
<b>Adress:</b>
<b>Postal code and City:</b>
<b>Telephone:</b>
<b>Email:</b>
<b>Supplier:</b>

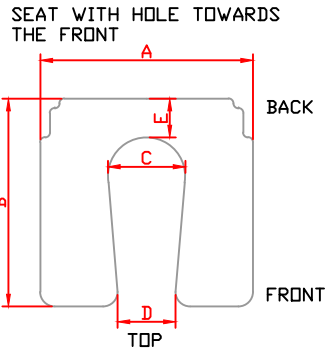
A

B

C

D

E



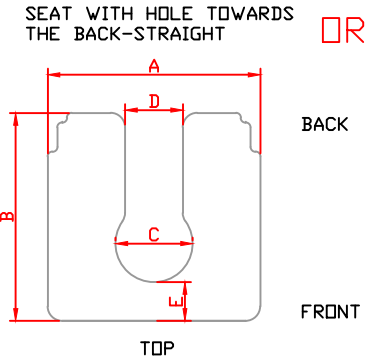
A

B

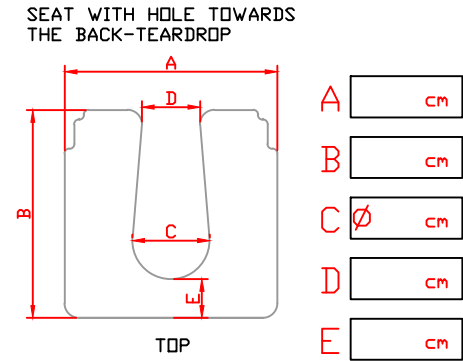
C

D

E



OR



A

B

C

D

E

A

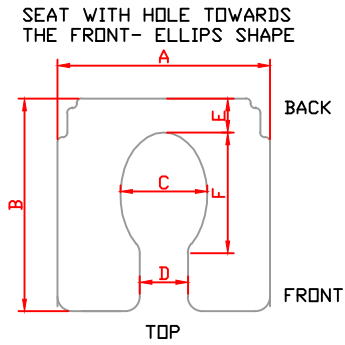
B

C

D

E

F



A

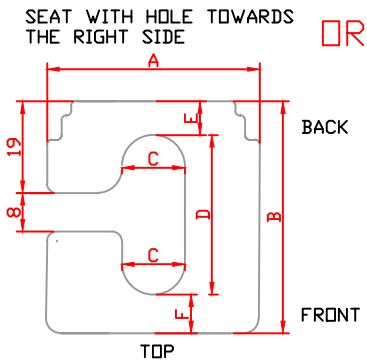
B

C

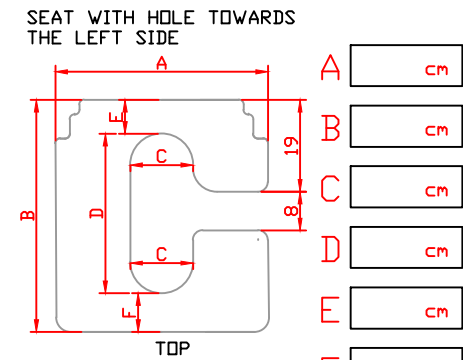
D

E

F



OR



A

B

C

D

E

F

A

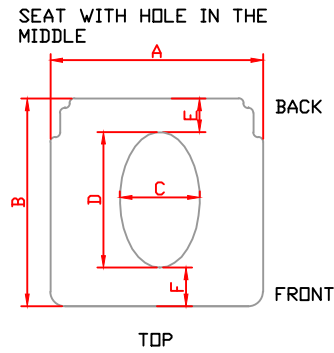
B

C

D

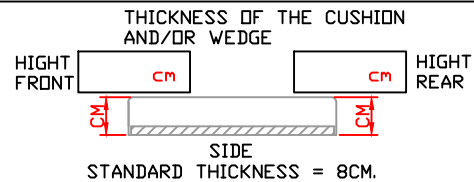
E

F



MATERIAL TYPE EN COLOUR:

		BLACK					
NEDPREEN	<input type="checkbox"/>	<input type="checkbox"/>					
PLATILON	<input type="checkbox"/>	BLACK	RED	LIGHT BLUE	GREEN	GREY	MARINE BLUE
		<input type="checkbox"/>	<input type="checkbox"/>	<input type="checkbox"/>	<input type="checkbox"/>	<input type="checkbox"/>	<input type="checkbox"/>
LAGOPRENE	<input type="checkbox"/>	BLACK	RED	PINK			
		<input type="checkbox"/>	<input type="checkbox"/>	<input type="checkbox"/>			



# SETTINGS

