

Frame:

ECFRA01	Boxframe aluminium Life with high/low system and 24" combo wheels (standard)	
ECFRA01-20	Boxframe aluminium Life with high/low system and 20" fibre spoke wheels (price increase)	
ECFRA01-26	Boxframe aluminium Life with high/low system and 26" fibre spoke wheels (price increase)	
EFRA10	Removing bended support tube	

Wheels and pushrims:

EWIE02	Rubber pushrim covers for extra grip (price increase)	
EWIE11	Pushrims mounted against wheels (price increase)	
EWIE10	Without pushrims (price increase)	
EWIE12	Pushrims with tetranops (price increase)	
EWIE14	Wheels mounted closer to frame (price increase)	

Brakes:

ECREM01	Brakes with angle lock (standard)	
EREM05	Extending brakes (price increase)	
ECREM06	Scissor brakes (price increase)	

Seat:

EZIT01	Seat upholstered with polyether and neoprene / platilon / Lagoprene	Opening front / rear / middle / left / right / none		
	Standard width measurements 40-42-44-46 cm	W	D	O Ø
EZIT07	Fill up part (price increase)			
EZIT08	Abduction part (price increase)			

Measurements and opening size to be filled in on drawing

Backrest:

	Backrest (width is equal to seatwidth)	W	H 48 cm
ECRUG01	Backrest covered with black water resistant canvas	W	H
ECRUG01B	Backrest upholstered with polyether and neoprene / platilon / Lagoprene (price increase)	W	H
ECRUG01BZIJ	Backrest with lateral support (price increase)	W	H

Measurements to be filled in on drawing

Armrests:

ECARM02	Swing away aluminium armrests H 23 cm	
ECARM04	Swing away aluminium armrests custom height (price increase)	
ECARM05	Standard armpads left and right	

ECARM06	Armpad upholstered with polyether and neoprene / platilon / Lagoprene (price increase)	W	L
	Armpad extended forwards / backwards	cm	
	<i>Measurements to be filled in on drawing</i>		

Footrests:

ECVOE03	One piece footrest with polyether and neoprene / platilon / Lagoprene	
ECVOE01	Flip up footrests	
EVOE09	Padding with polyether en neopreen / platilon / Lagoprene flip up footrests (price increase)	
	<i>Height of footrest to be filled in on drawing</i>	

Anti-tip:

ECATI01	Anti-tip system with pedal and quick release pin (price increase)	
----------------	---	--

Headrest

ECSTE02	Headrest upholstered with polyether and neoprene / platilon / Lagoprene (price increase)	
ECSTE03	PU-foam (price increase)	

Lateral support:

ECSTE01L	Lateral support left, upholstered with polyether and neoprene / platilon / Lagoprene (price increase)	B	H
ECSTE01R	Lateral support right, upholstered with polyether adn neoprene / platilon / Lagoprene (price increase)	B	H

Legsupport and legstrap:

EKUI02	Calf protector (price increase)		
EKUI01	Legstrap (adjustable) made of neoprene (price increase)	L	H

Stainless steel rails:

ETOO03	Rails for stainless steel bedpan Ø 30 cm (price increase)	
ETOO06	Rails for stainless steel toilet bucket Ø 30 cm (price increase)	
ETOO05	Rails for plastic toilet bucket (price increase)	

Bedpan/bucket:

ETOO02	Stainless steel bedpan with lid (price increase, recommended for suitcase)	
ETOO04	Stainlesssteel toilet bucket with lid (price increase)	
ETOO01	Grey plastic toilet bucket with lid (price increase)	

Upholstery:

Platilon: **Red / Blue / Green / Gray / Black / Marine**

Neoprene: **Black**

Lagoprene: **Pink / Blue / Black**

Supplier:
Adress:
Postal code and City:
Telephone:
Email:
Client name:

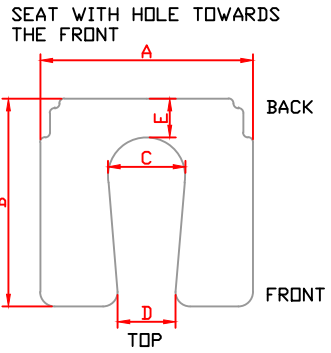
A cm

B cm

C cm

D cm

E cm



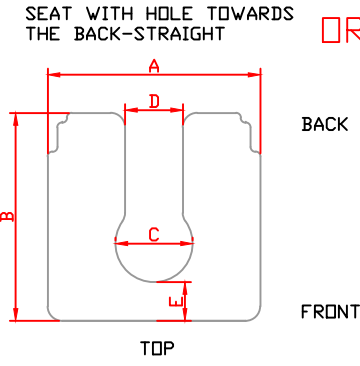
A cm

B cm

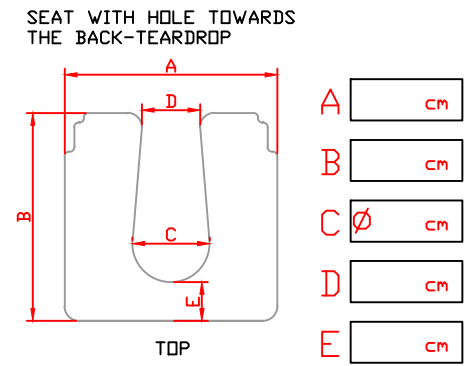
C cm

D cm

E cm



OR



A cm

B cm

C cm

D cm

E cm

A cm

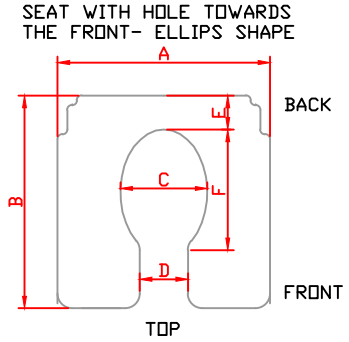
B cm

C cm

D cm

E cm

F cm



A cm

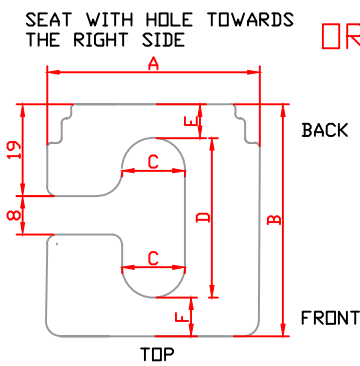
B cm

C cm

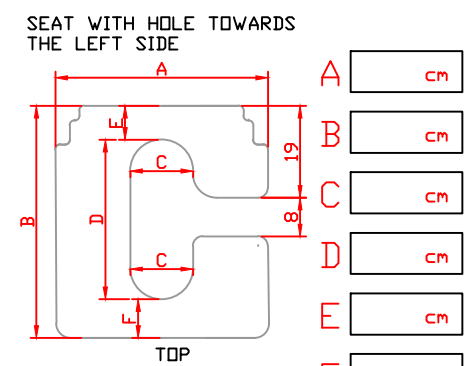
D cm

E cm

F cm



OR



A cm

B cm

C cm

D cm

E cm

F cm

A cm

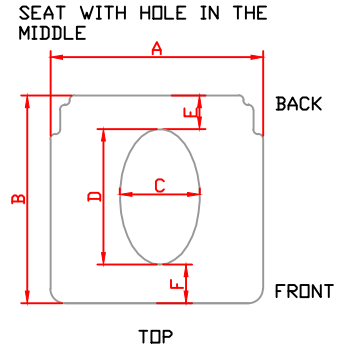
B cm

C cm

D cm

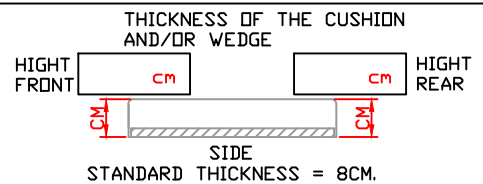
E cm

F cm



MATERIAL TYPE EN COLOUR:

		BLACK					
NEDPREEN	<input type="checkbox"/>	<input type="checkbox"/>					
PLATILON	<input type="checkbox"/>	BLACK	RED	LIGHT BLUE	GREEN	GREY	MARINE BLUE
		<input type="checkbox"/>	<input type="checkbox"/>	<input type="checkbox"/>	<input type="checkbox"/>	<input type="checkbox"/>	<input type="checkbox"/>
LAGOPRENE	<input type="checkbox"/>	BLACK	RED	PINK			
		<input type="checkbox"/>	<input type="checkbox"/>	<input type="checkbox"/>			



SETTINGS

