



Prefitform Lagooni Life Special

Questions during the pre-fit? + 31 (0) 174-281551

**Frame:**

<b>ECFRA09</b>	Boxframe aluminium Life Special with high/low system and 24" combo wheels ( <i>standard</i> )	
<b>ECFRA09-20</b>	Boxframe aluminium Life Special with high/low system and 20" fibre spoke wheels ( <i>price increase</i> )	
<b>ECFRA09-26</b>	Boxframe aluminium Life Special with high/low system and 26" fibre spoke wheels ( <i>price increase</i> )	
<b>EFRA10</b>	Removing bended support tube	

**Wheels and pushrims:**

<b>EWIE02</b>	Rubber pushrim covers for extra grip ( <i>price increase</i> )	
<b>EWIE11</b>	Pushrims mounted against wheels ( <i>price increase</i> )	
<b>EWIE10</b>	Without pushrims ( <i>price increase</i> )	
<b>EWIE12</b>	Pushrims with tetranops ( <i>price increase</i> )	
<b>EWIE14</b>	Wheels mounted closer to frame ( <i>price increase</i> )	

**Brakes:**

<b>ECREM01</b>	Brakes with angle lock ( <i>standard</i> )	
<b>EREM05</b>	Extending brakes ( <i>price increase</i> )	
<b>ECREM06</b>	Scissor brakes ( <i>price increase</i> )	

**Seat:**

<b>EZIT01</b>	Seat upholstered with polyether and <b>neoprene / platilon / Lagoprene</b>	<b>Opening front / rear / middle / left / right / none</b>		
	Standard width measurements 40-42-44-46 cm	W	D	O Ø
<b>EZIT07</b>	Fill up part ( <i>price increase</i> )			
<b>EZIT08</b>	Abduction part ( <i>price increase</i> )			

*Measurements and opening size to be filled in on drawing*

**Backrest:**

	Backrest ( <i>width is equal to seatwidth</i> )	W	H 48 cm
<b>ECRUG01</b>	Backrest covered with black water resistant canvas	W	H
<b>ECRUG01B</b>	Backrest upholstered with polyether and <b>neoprene / platilon / Lagoprene</b> ( <i>price increase</i> )	W	H
<b>ECRUG01BZIJ</b>	Backrest with lateral support ( <i>price increase</i> )	W	H

*Measurements to be filled in on drawing*

**Armrests:**

<b>ECARM02</b>	Swing away aluminium armrests H 23 cm	
<b>ECARM04</b>	Swing away aluminium armrests custom height ( <i>price increase</i> )	
<b>ECARM05</b>	Standard armpads left and right	

<b>ECARM06</b>	Armpad upholstered with polyether and <b>neoprene / platilon / Lagoprene</b> (price increase)	W	L
	Armpad extended <b>forwards / backwards</b>	cm	
	<i>Measurements to be filled in on drawing</i>		

**Footrests:**

<b>ECBE01SET</b>	Swing away and removable legrests with flip-up footrests (Life special)	
<b>EVOE09</b>	Padding with polyether en <b>neopreen / platilon / Lagoprene</b> flip up footrests (price increase)	
	<i>Height of footrest to be filled in on drawing</i>	

**Anti-tip:**

<b>ECATI01</b>	Anti-tip system with pedal and quick release pin (price increase)	
----------------	---	--

**Headrest**

<b>ECSTE02</b>	Headrest upholstered with polyether and <b>neoprene / platilon / Lagoprene</b> (price increase)	
<b>ECSTE03</b>	PU-foam (price increase)	

**Lateral support:**

<b>ECSTE01L</b>	Lateral support left, upholstered with polyether and <b>neoprene / platilon / Lagoprene</b> (price increase)	B	H
<b>ECSTE01R</b>	Lateral support right, upholstered with polyether adn <b>neoprene / platilon / Lagoprene</b> (price increase)	B	H

**Legsupport and legstrap:**

<b>EKUI02</b>	Calf protector (price increase)		
<b>EKUI01</b>	Legstrap (adjustable) made of neoprene (price increase)	L	H

**Stainless steel rails:**

<b>ETOO03</b>	Rails for stainless steel bedpan Ø 30 cm (price increase)	
<b>ETOO06</b>	Rails for stainless steel toilet bucket Ø 30 cm (price increase)	
<b>ETOO05</b>	Rails for plastic toilet bucket (price increase)	

**Bedpan/bucket:**

<b>ETOO02</b>	Stainless steel bedpan with lid (price increase, recommended for suitcase)	
<b>ETOO04</b>	Stainlesssteel toilet bucket with lid (price increase)	
<b>ETOO01</b>	Grey plastic toilet bucket with lid (price increase)	

**Upholstery:**

Platilon: <b>Red / Blue / Green / Gray / Black / Marine</b>
Neoprene: <b>Black</b>
Lagoprene: <b>Pink / Blue / Black</b>

<b>Supplier:</b>
<b>Adress:</b>
<b>Postal code and City:</b>
<b>Telephone:</b>
<b>Email:</b>
<b>Client name:</b>

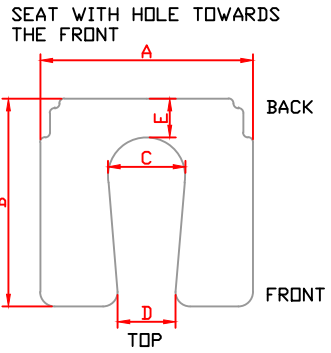
A  cm

B  cm

C  cm

D  cm

E  cm



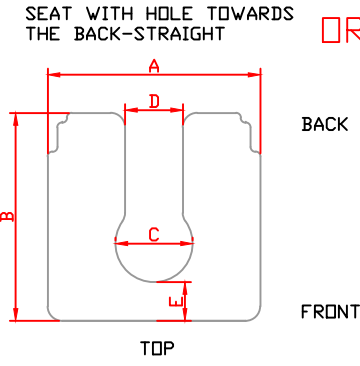
A  cm

B  cm

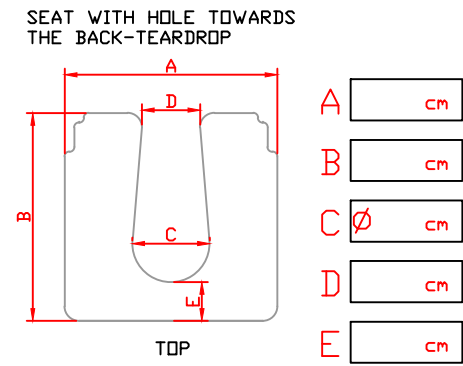
C  cm

D  cm

E  cm



OR



A  cm

B  cm

C  cm

D  cm

E  cm

A  cm

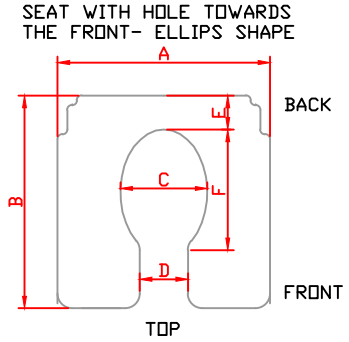
B  cm

C  cm

D  cm

E  cm

F  cm



A  cm

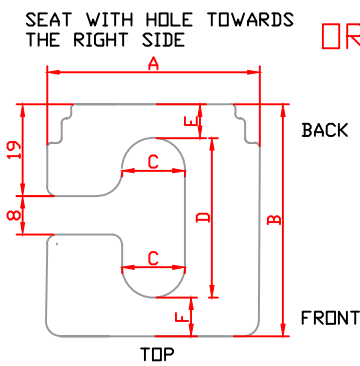
B  cm

C  cm

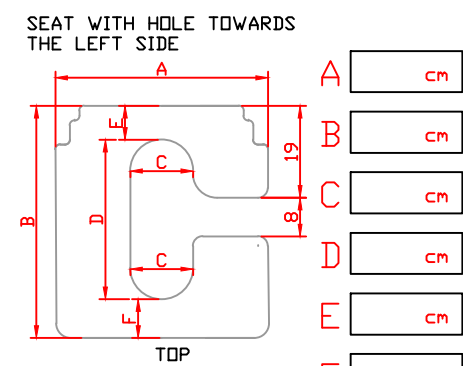
D  cm

E  cm

F  cm



OR



A  cm

B  cm

C  cm

D  cm

E  cm

F  cm

A  cm

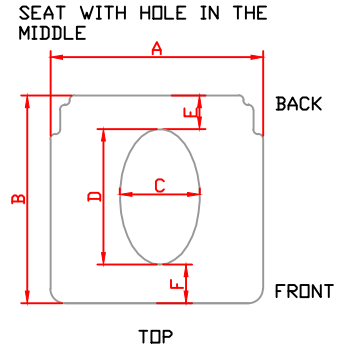
B  cm

C  cm

D  cm

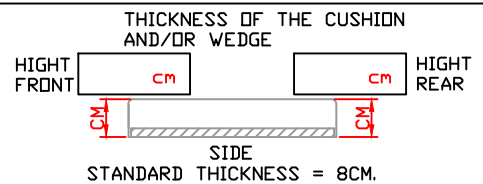
E  cm

F  cm



MATERIAL TYPE EN COLOUR:

		BLACK					
NEDPREEN	<input type="checkbox"/>	<input type="checkbox"/>					
PLATILON	<input type="checkbox"/>	BLACK	RED	LIGHT BLUE	GREEN	GREY	MARINE BLUE
		<input type="checkbox"/>	<input type="checkbox"/>	<input type="checkbox"/>	<input type="checkbox"/>	<input type="checkbox"/>	<input type="checkbox"/>
LAGOPRENE	<input type="checkbox"/>	BLACK	RED	PINK			
		<input type="checkbox"/>	<input type="checkbox"/>	<input type="checkbox"/>			



SETTINGS

