



Helio A6 ORDER FORM - UK

P.O. number:	Date:	Ship to:
Company Name:	Phone:*	Name:
Purchasing contact:		Address:
Clinician/Sales rep/ATP:		City: Country:
Email:		Postcode:
Marked for:	* Required	Phone: VAT not included

MA083 English Manual (STD)

MODEL											
1	WC19	Ultralight folding Helio A6 Wheelchair - 6000 series aluminum (120 kg /265lb weight capacity)							£2,035	<input type="checkbox"/>	
2	WC09	HD Heavy duty kit (159 kg/350 lb weight capacity)							£360	<input type="checkbox"/>	
SEAT WIDTH ³ - cm (inches)											
3	SW	Seat width:	35,6 (14") <input type="checkbox"/>	38,1 (15") <input type="checkbox"/>	40,6 (16") <input type="checkbox"/>	43,2 (17") <input type="checkbox"/>	45,7 (18") ¹ <input type="checkbox"/>	48,3 (19") ¹ <input type="checkbox"/>	NC	<input type="checkbox"/>	
4	SW	Seat width:	50,8 (20") ¹ <input type="checkbox"/>					53,3 (21") ² <input type="checkbox"/>	55,9 (22") ² <input type="checkbox"/>	£205	<input type="checkbox"/>
SEAT DEPTH - cm (inches)											
5	SD	Seat depth:	35,6 (14") <input type="checkbox"/>	38,1 (15") <input type="checkbox"/>	40,6 (16") <input type="checkbox"/>	43,2 (17") <input type="checkbox"/>	45,7 (18") <input type="checkbox"/>	48,3 (19") <input type="checkbox"/>	NC	<input type="checkbox"/>	
6	SD	Seat depth:	50,8 (20") <input type="checkbox"/>							£155	<input type="checkbox"/>

1 - Available with HD Kit (350 lb)

2 - Only available with HD option

[3. Width calculator](#)

A6 FRONT Seat-to-floor Height - Please select your choice

Fork/Position		7,62cm (3") caster			10,16cm (4") caster			12,7cm (5") caster			15,24cm (6") caster			17,78cm (7") caster			20,32cm (8") caster		
		Stem bolt Length			Stem bolt Length			Stem bolt Length			Stem bolt Length			Stem bolt Length			Stem bolt Length		
		STD	+ 2,54 cm 1"	+ 5,08cm 2"	STD	+ 2,54 cm 1"	+ 5,08cm 2"	STD	+ 2,54 cm 1"	+ 5,08cm 2"	STD	+ 2,54 cm 1"	+ 5,08cm 2"	STD	+ 2,54 cm 1"	+ 5,08cm 2"	STD	+ 2,54 cm 1"	+ 5,08cm 2"
4 in 10,2cm	P1	30,5cm 12"	33cm 13"	35,6cm 14"	31,8cm 12,5"	34,3cm 13,5"	36,8cm 14,5"												
	P2	31,8cm 12,5"	34,3cm 13,5"	36,8cm 14,5"	33cm 13"	35,6cm 14"	38,1cm 15"	34,3cm 13,5"	36,8cm 14,5"	39,4cm 15,5"									
5 in 12,7cm	P1																		
	P2				33cm 13"	35,6cm 14"	38,1cm 15"	34,3cm 13,5"	36,8cm 14,5"	39,4cm 15,5"									
	P3	33cm 13"	35,6cm 14"	38,1cm 15"	34,3cm 13,5"	36,8cm 14,5"	39,4cm 15,5"	35,6cm 14"	38,1cm 15"	40,6cm 16"	36,8cm 14,5"	39,4cm 15,5"	41,9cm 16,5"						
	P4	34,3cm 13,5"	36,8cm 14,5"	39,4cm 15,5"	35,6cm 14"	38,1cm 15"	40,6cm 16"	36,8cm 14,5"	39,4cm 15,5"	41,9cm 16,5"	38,1cm 15"	40,6cm 16"	43,2cm 17"	39,4cm 15,5"	41,9cm 16,5"	44,5cm 17,5"			
7 in 17,8cm	P1											39,4cm 15,5"	41,9cm 16,5"	44,5cm 17,5"	40,6cm 16"	43,2cm 17"	45,7cm 18"		
	P2								39,4cm 15,5"	41,9cm 16,5"	44,5cm 17,5"	40,6cm 16"	43,2cm 17"	45,7cm 18"	41,9cm 16,5"	44,5cm 17,5"	47cm 18,5"		
	P3								40,6cm 16"	43,2cm 17"	45,7cm 18"	41,9cm 16,5"	44,5cm 17,5"	47cm 18,5"	43,2cm 17"	45,7cm 18"	48,3cm 19"	44,5cm 17,5"	47cm 18,5"
	P4	39,4cm 15,5"	41,9cm 16,5"	44,5cm 17,5"	40,6cm 16"	43,2cm 17"	45,7cm 18"	41,9cm 16,5"	44,5cm 17,5"	47cm 18,5"	43,2cm 17"	45,7cm 18"	48,3cm 19"	44,5cm 17,5"	47cm 18,5"	49,5cm 19,5"	45,7cm 18"	48,3cm 19"	50,8cm 20"
	P5	40,6cm 16"	43,2cm 17"	45,7cm 18"	41,9cm 16,5"	44,5cm 17,5"	47cm 18,5"	43,2cm 17"	45,7cm 18"	48,3cm 19"	44,5cm 17,5"	47cm 18,5"	49,5cm 19,5"	45,7cm 18"	48,3cm 19"	50,8cm 20"	47cm 18,5"	49,5cm 19,5"	52,1cm 20,5"

Height available + 0,65cm (1/4") (see stem bolt and fork combination at the end of the order form)

CASTERS													
7	CA01	Composite wheel w/ PU tire (1" width)	3" <input type="checkbox"/>	4" <input type="checkbox"/>	5" <input type="checkbox"/>	6" <input type="checkbox"/>	7" <input type="checkbox"/>	8" <input type="checkbox"/>			NC	<input type="checkbox"/>	
8	CA10	Pneumatic casters 6" x 1 1/4" (15,24x3,17cm)									£145	<input type="checkbox"/>	
9	CA11	Pneumatic casters 8" x 1 1/4" (20,32x3,17cm)									£145	<input type="checkbox"/>	
10	CA14	Newton UltraCaster Soft-Roll Composite	4" x 1 1/2"									£72	<input type="checkbox"/>
11	CA15		5" x 1 1/2"									£72	<input type="checkbox"/>
12	CA16		6" x 1 1/2"									£72	<input type="checkbox"/>
13	CA17		4" x 1 1/2"									£125	<input type="checkbox"/>
14	CA18		Newton UltraCaster Soft-Roll Aluminum	5" x 1 1/2"									£130
15	CA19	6" x 1 1/2"									£135	<input type="checkbox"/>	
CASTER OPTIONS													
16	CA12	Caster Pin Locks (Available with +1" or +2" Stem bolt ONLY) ¹									£258	<input type="checkbox"/>	
17	CA13	Carbon fiber Frog Legs suspension forks (Not available with caster pin locks)									£405	<input type="checkbox"/>	

1 - Not available with WC-19

Helio A6 - REAR Seat-to-floor Height - Please select your choice

20" (451)	22" (501)	24" (540)	25" (559)	26" (590)
30,5cm/12"	33cm/13"	34,9cm/13,75"	36,2cm/14,25"	37,5cm/14,75"
31,8cm/12,5"	34,3cm/13,5"	36,2cm/14,25"	37,5cm/14,75"	38,7cm/15,25"
33cm/13"	35,6cm/14"	37,5cm/14,75"	38,7cm/15,25"	40cm/15,75"
34,3cm/13,5"	36,8cm/14,5"	38,7cm/15,25"	40cm/15,75"	41,3cm/16,25"
35,6cm/14"	38,1cm/15"	40cm/15,75"	41,3cm/16,25"	42,5cm/16,75"
36,8cm/14,5"	39,4cm/15,5"	41,3cm/16,25"	42,5cm/16,75"	43,8cm/17,25"
38,1cm/15"	40,6cm/16"	42,5cm/16,75"	43,8cm/17,25"	45,1cm/17,75"
39,4cm/15,5"	41,9cm/16,5"	43,8cm/17,25"	45,1cm/17,75"	46,4cm/18,25"
40,6cm/16"	43,2cm/17"	45,1cm/17,75"	46,4cm/18,25"	47,6cm/18,75"
41,9cm/16,5"	44,5cm/17,5"	46,4cm/18,25"	47,6cm/18,75"	48,9cm/19,25"
43,2cm/17"	45,7cm/18"	47,6cm/18,75"	48,9cm/19,25"	50,2cm/19,75"
44,5cm/17,5"	47cm/18,5"	48,9cm/19,25"	50,2cm/19,75"	51,4cm/20,25"

Configuration used: 2,54 cm (1") seat slope with a center of gravity at 5,08 cm (2")

Note: Tire size, center of gravity setting and seat slope may result in a variation of +/- 1/2" of selected seat to floor height"

Footrest											
SWING-IN/SWING-OUT FOOTREST											
18	FR03	60° Swing-in/swing-out	34,3 - 43,2cm/13,5-17" <input type="checkbox"/>	36,8 - 49,5cm/14,5-19,5" <input type="checkbox"/>	39,4 - 52cm/15,5-20,5" <input type="checkbox"/>				Set at:*	NC	<input type="checkbox"/>
19	FR04	70° Swing-in/swing-out	34,3 - 43,2cm/13,5-17" <input type="checkbox"/>	36,8 - 49,5cm/14,5-19,5" <input type="checkbox"/>	39,4 - 52cm/15,5-20,5" <input type="checkbox"/>				Set at:*	NC	<input type="checkbox"/>
20	FR15	80° Swing-in/swing-out	34,3 - 40,6cm/13,5-16" <input type="checkbox"/>	36,8 - 49,5cm/14,5-19,5" <input type="checkbox"/>	39,4 - 52cm/15,5-20,5" <input type="checkbox"/>				Set at:*	NC	<input type="checkbox"/>
21	FR06	90° swing-in/swing-out with front mount - Standard (no extension) ¹			19 - 28cm (7.5 - 11")				Set at:*	NC	<input type="checkbox"/>
22	FR07	90° swing-in/swing-out with front mount - Short extension 2" ^{1,2}			24 - 33cm (9.5 - 13")				Set at:*	NC	<input type="checkbox"/>
23	FR08	90° swing-in/swing-out with front mount - Medium extension 4" ^{1,2}			24 - 36,8cm (9.5 - 14.5")				Set at:*	NC	<input type="checkbox"/>
FOOTREST OPTIONS											
24	FR09	High mount (footplate attached to the hanger with clamps) ³			12,7 - 34,3cm/5-13,5" <input type="checkbox"/>				Set at:*	£68	<input type="checkbox"/>
25	FR10	Elevating legrest with calf pad, 35,5 to 55,88 cm (14-22") length adjustable ⁴	Left <input type="checkbox"/>		Right <input type="checkbox"/>				Set at:	£205	<input type="checkbox"/>
26	FR99	Omit Footrest								NC	<input type="checkbox"/>

1 - Available only with two pieces adjustable footplates

2 - May interfere with front casters

3 - Not available with front mount

* +/- 1,27 cm (1/2 in)

4 - The elevating legrest replace the footrest side selected

FOOTPLATES											
27	FP01	Standard (Composite)								NC	<input type="checkbox"/>
28	FP02	Newton adjustable angle (Composite)								£185	<input type="checkbox"/>
29	FP03	Newton adjustable angle (Aluminum)								£205	<input type="checkbox"/>
30	FP06	One piece adjustable angle flip-up (Aluminum)								£170	<input type="checkbox"/>
FOOTPLATE ACCESSORIES											
31	FP08	Length adjustable heel loop (not available with one piece footplate)								£36	<input type="checkbox"/>
32	FP09	Calf strap								£30	<input type="checkbox"/>
33	FP30	Bodypoint Aeromesh Padded calf strap								£98	<input type="checkbox"/>

SWING AWAY RESIDUAL LIMB SUPPORT									
34	FR27	Residual limb support - flat 15,24x20,32cm (6"x8")	Left <input type="checkbox"/>	Right <input type="checkbox"/>				£365	<input type="checkbox"/>
35	FR28	Residual limb support - flat 20,32x24,4cm (8"x10")	Left <input type="checkbox"/>	Right <input type="checkbox"/>				£365	<input type="checkbox"/>
36	FR29	Residual limb support - flat 25,4x25,4cm (10"x10")	Left <input type="checkbox"/>	Right <input type="checkbox"/>				£365	<input type="checkbox"/>
37	FR30	Residual limb support - flat 25,4x35,56cm (10"x14")	Left <input type="checkbox"/>	Right <input type="checkbox"/>				£365	<input type="checkbox"/>
38	FR32	Residual limb support - contour 15,24x20,32cm (6"x8")	Left <input type="checkbox"/>	Right <input type="checkbox"/>				£365	<input type="checkbox"/>
39	FR33	Residual limb support - contour 20,32x24,4cm (8"x10")	Left <input type="checkbox"/>	Right <input type="checkbox"/>				£365	<input type="checkbox"/>

Backrest

FIXED ANGLE BACK CANES WITH INTEGRATED PUSH HANDLE											
40	BC58	Straight aluminum back cane	35,6 cm (14") <input type="checkbox"/>	40,6 cm (16") <input type="checkbox"/>	45,7 cm (18") <input type="checkbox"/>	50,8 cm (20") <input type="checkbox"/>			NC	<input type="checkbox"/>	
41	BC01	8° bend aluminum back cane	40,6 cm (16") <input type="checkbox"/>	45,7 cm (18") <input type="checkbox"/>	50,8 cm (20") <input type="checkbox"/>				NC	<input type="checkbox"/>	
FIXED ANGLE, HEIGHT ADJUSTABLE BACK CANES WITH PUSH HANDLE OPTIONS											
42	BC11	Straight aluminum back cane	30,5 - 38,1 (12-15") <input type="checkbox"/>	38,1 - 45,7 (15-18") <input type="checkbox"/>	45,7 - 53,3 (18-21") STD <input type="checkbox"/>				NC	<input type="checkbox"/>	
43	BC12	8° bend aluminum back cane	33 - 38,1 (13,5-15") <input type="checkbox"/>	38,1 - 45,7 (15-18") <input type="checkbox"/>	45,7 - 53,3 (18-21") STD <input type="checkbox"/>				NC	<input type="checkbox"/>	
ANGLE AND HEIGHT ADJUSTABLE BACK CANE WITH PUSH HANDLE OPTIONS											
44	BC13	Straight aluminum back cane	38,1 - 45,7 (15-18") <input type="checkbox"/>	45,7 - 53,3 (18-21") STD <input type="checkbox"/>					£225	<input type="checkbox"/>	
45	BC14	8° bend aluminum back cane	38,1 - 45,7 (15-18") <input type="checkbox"/>	45,7 - 53,3 (18-21") STD <input type="checkbox"/>					£225	<input type="checkbox"/>	
46		Select back cane angle:	85° ¹ <input type="checkbox"/>	90° STD <input type="checkbox"/>	95° <input type="checkbox"/>	100° <input type="checkbox"/>	105° <input type="checkbox"/>	110° <input type="checkbox"/>			
Set height to: ²		(measured from seat sling to top of back upholstery)									
PUSH HANDLE OPTIONS											
47	PH01	Push handles							STD	<input type="checkbox"/>	
48	PH05	Fold down push handles ^{3,5}							£125	<input type="checkbox"/>	
49	PH06	clamp on height adjustable push handle ^{3,4,5}	22,9 - 50,8 cm/9-20" STD <input type="checkbox"/>	22,9 - 58,4 cm/9-23" <input type="checkbox"/>					£268	<input type="checkbox"/>	
50	PH02	Omit push handles							NC	<input type="checkbox"/>	

1 - Not compatible with 8 degree bent back 2 - If not indicated, default height setting is at the lowest position 3 - 265 pounds weight limit
4 - Not compatible with swing away armrests, 8° bend back canes and amputee axle plates.
5 - Not compatible with stroller handle, stabilizer bar, headrest and attendant lock

STROLLER HANDLE AND STABILIZER BAR ¹ (only available with push handle)										
51	PH04	Stroller handle (not available with the HD option)							£145	<input type="checkbox"/>
52	PH03	Newton folding stabilizer bar							£225	<input type="checkbox"/>

1 - Stroller handle and stabilizer bar can't be combined

BACK UPHOLSTERY										
53	BH05	Slip-on Nylon back upholstery							NC	<input type="checkbox"/>
54	BH06	Adjustable tension Nylon back upholstery							£150	<input type="checkbox"/>
55	BH99	Omit Back upholstery							STD	<input type="checkbox"/>

SEAT CUSHION										
56	SC01	2" Cushion							£150	<input type="checkbox"/>
57	SC02	3" Cushion							£168	<input type="checkbox"/>
58	SC99	Omit seat cushion							NC	<input type="checkbox"/>

Rear wheels											
ONE ARM DRIVE¹ Only available with Newton One rear wheels with Aluminum, Plastic coated Handrims											
59	HR22	One arm drive ^{2,3}	24" (60,96cm)	Left <input type="checkbox"/>	Right <input type="checkbox"/>					£1,240	<input type="checkbox"/>
60	HR98	Omit handrim on opposite side of the One Arm Drive (OAD)								NC	<input type="checkbox"/>
REAR WHEELS											
61	RW01	Mag ⁴	20" <input type="checkbox"/>	22" <input type="checkbox"/>	24" <input type="checkbox"/>					£46	<input type="checkbox"/>
62	RW02	Newton One - spoke wheel ⁵	20" <input type="checkbox"/>	22" <input type="checkbox"/>	24" <input type="checkbox"/>					NC	<input type="checkbox"/>
63	RW03	Newton Gravity - ultralight	20" <input type="checkbox"/>	22" <input type="checkbox"/>	24" <input type="checkbox"/>	25" <input type="checkbox"/>	26" <input type="checkbox"/>			£285	<input type="checkbox"/>
64	RW04	Spinerigy Spox		22" <input type="checkbox"/>	24" <input type="checkbox"/>	25" <input type="checkbox"/>	26" <input type="checkbox"/>			£620	<input type="checkbox"/>
65		Spinerigy Spox spokes colors ⁶	Blk STD <input type="checkbox"/>	Wht <input type="checkbox"/>	Blue <input type="checkbox"/>	Red <input type="checkbox"/>	Yel <input type="checkbox"/>			NC	<input type="checkbox"/>
66	RW05	Spinerigy LX		22" <input type="checkbox"/>	24" <input type="checkbox"/>	25" <input type="checkbox"/>	26" <input type="checkbox"/>			£825	<input type="checkbox"/>
67		Spinerigy LX spokes colors ⁶	Blk STD <input type="checkbox"/>	Pur <input type="checkbox"/>	Wht <input type="checkbox"/>	Blue <input type="checkbox"/>	Red <input type="checkbox"/>	Yel <input type="checkbox"/>	Pink <input type="checkbox"/>	Grn <input type="checkbox"/>	Org <input type="checkbox"/>
68	RW07	Spinerigy CLX Carbon Blade			24" <input type="checkbox"/>	25" <input type="checkbox"/>				£1,240	<input type="checkbox"/>
69		Spinerigy CLX spokes colors ⁶	Blk STD <input type="checkbox"/>	Pur <input type="checkbox"/>	Wht <input type="checkbox"/>	Blue <input type="checkbox"/>	Red <input type="checkbox"/>	Yel <input type="checkbox"/>	Pink <input type="checkbox"/>	Grn <input type="checkbox"/>	Org <input type="checkbox"/>
TIRES Available											
70	TI01	Soft Urethane 3,17cm (1 1/4")			20", 22" 24"					STD	<input type="checkbox"/>
71	TI02	Soft Urethane knobby 3,49cm (1 3/8")			22", 24", 25", 26"					£88	<input type="checkbox"/>
72	TI04	Soft Urethane - Shox 2,54cm (1")			22", 24", 25", 26"					£102	<input type="checkbox"/>
73	TI05	Pneumatic 3,49cm (1 3/8")			20", 22", 24", 25", 26"					NC	<input type="checkbox"/>
74	TI08	Pneumatic with Airless insert 3,49cm (1 3/8") ⁷			22", 24", 26"					£72	<input type="checkbox"/>
75	TI06	Pneumatic HP - 2,54cm (1")			20", 22", 24", 25", 26"					£88	<input type="checkbox"/>
76	TI07	Pneumatic HP - Schwalbe Marathon Plus 2,54cm (1")			24", 25", 26"					£98	<input type="checkbox"/>

1- Offered with handrims on each side of the wheelchair

2- Only standard handrim position available

3 - Not available with HD option

4 - Not compatible with HP tires ; Only available with aluminum or plastic coated handrim in standard position

5 - Not compatible with Shox tires

6 - Colour spokes require an additional 10 days lead-time

7- Only available with Newton One and Newton Gravity rear wheels

Handrims												
HANDRIM												
77	HR01	Aluminum anodized								STD	<input type="checkbox"/>	
78	HR61	Aluminum black hard anodized ^{1,3}								New	£57	<input type="checkbox"/>
79	HR02	Plastic coated ²								WAMO	£88	<input type="checkbox"/>
80	HR03	Q-Grip High friction Neoprene coated ^{2,3,4}								WAMO	£305	<input type="checkbox"/>
81	HR07	Newton Air Grip ³	Black <input type="checkbox"/>							WAMO	£88	<input type="checkbox"/>
82	HR	Newton Air Grip ³	(08) Sunkissed Orange <input type="checkbox"/>	(09) Burgundy <input type="checkbox"/>	(10) Sapphire Blue <input type="checkbox"/>	(11) Monster Green <input type="checkbox"/>	(12) Charcoal <input type="checkbox"/>	(13) Fuchsia <input type="checkbox"/>	(14) Steel Blue <input type="checkbox"/>	WAMO	£180	<input type="checkbox"/>
			(15) Ferrari Red <input type="checkbox"/>	(16) Acid Green <input type="checkbox"/>	(17) White <input type="checkbox"/>	(18) Sky Blue <input type="checkbox"/>						
83	HR28	Surge ^{2,3,4}	(1-1/2" Oval handrim w/ Gripton high friction strip)								£338	<input type="checkbox"/>
84	HR05	Surge LT ^{2,3,4}	(1-1/8" Oval handrim w/ Gripton high friction strip)								£365	<input type="checkbox"/>
85	HR04	Natural Fit ^{2,3,4}								£280	<input type="checkbox"/>	
86	HR99	Omit handrim								NC	<input type="checkbox"/>	

1 - Not available 26"

2- Only standard handrim position available

3 - Not available with Mag wheels or OAD

4 - Not available in 20"

Handrims option												
Assembly position for aluminum and Newton Air Grip handrim												
87	HR29	Standard Handrim position	Full tab								STD	<input type="checkbox"/>
88	HR30	Narrow Handrim position	Short tab 2 positions								£20	<input type="checkbox"/>
89	HR31	Super Narrow Handrim	Short tab 2 positions STD <input type="checkbox"/>				Short tab 1 position <input type="checkbox"/>				£20	<input type="checkbox"/>
Thumb piece⁴ selection for Natural Fit handrims												
90	HR23	Standard grip								£78	<input type="checkbox"/>	
91	HR27	Super grip								£125	<input type="checkbox"/>	
92	HR099	Omit thumb piece								NC	<input type="checkbox"/>	

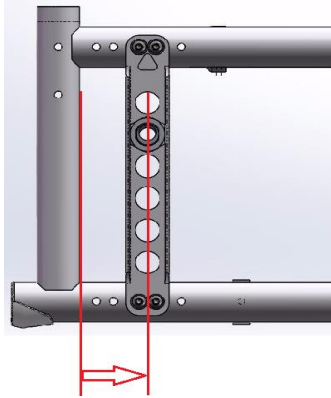
4- Compatible with Surge, Surge LT handrims

AXLE ¹											
93	AX01	Quick release axle								STD	<input type="checkbox"/>
94	AX02	Permanent axle								NC	<input type="checkbox"/>
95	AX03	Quad release axle								£112	<input type="checkbox"/>
AXLE PLATE											
96	AX04	Amputee adjustable axle plate (may interfere with swing away armrest)								£175	<input type="checkbox"/>

1- Not required with one arm drive

REAR WHEEL CAMBER						
97	CM00	0° camber			STD	<input type="checkbox"/>
98	CM03	3° camber			NC	<input type="checkbox"/>

CENTRE DE GRAVITÉ



Choose position of rear wheel axle plate:

Measure distance from front of back post to center of axle receiver.

Default setting is at 3,8 cm (1" 1/4)

	Most stable					Most responsive
AMPUTÉ		1,9 cm (3/4")	3,8 cm (1" 1/4)	4,4 cm (1"3/4)	5,7 cm (2" 1/4)	7 cm (2" 3/4)
	<input type="checkbox"/>		<input type="checkbox"/>		<input type="checkbox"/>	<input type="checkbox"/>

If a configuration issue arises due to the choice of the Center Of Gravity (COG) Motion Composites reserves the right to reduce or increase the COG to the closest position.

WHEEL LOCK						
99	WL08	Newton Wheel lock - push to lock			STD	<input type="checkbox"/>
100	WL02	Pull to lock			NC	<input type="checkbox"/>
101	WL04	Newton grade aid push to lock (suggested with pneumatic or high pressure tire)			£140	<input type="checkbox"/>
102	WL13 WL14	6" removable extension handle			£70	<input type="checkbox"/>
103	WL05	Scissor Lock			£125	<input type="checkbox"/>
104	WL06	Attendant Lock (additional set of wheel lock mounted to the back)			£180	<input type="checkbox"/>
105	WL99	Omit wheel locks			NC	<input type="checkbox"/>

Armrests						
"T" ARMREST ¹		Height Adjustment				
106	AR13	25,4cm (10") Desk length arm pad	20 - 30cm (8 - 12") STD <input type="checkbox"/>	25 - 36cm (10 - 14") <input type="checkbox"/>	£290	<input type="checkbox"/>
107	AR14	35,56cm (14") Full length arm pad	20 - 30cm (8 - 12") STD <input type="checkbox"/>	25 - 36cm (10 - 14") <input type="checkbox"/>	£290	<input type="checkbox"/>
SWING AWAY ARMREST ²		Height Adjustment				
108	AR05	Tubular arm pad	20-27.9 cm (8 - 11")		£200	<input type="checkbox"/>
109	AR06	25,4cm (10") Desk length arm pad	20-27.9 cm (8 - 11")		£200	<input type="checkbox"/>
GEL ARM PAD ³						
110	AR12	35,56cm (14") Full Length Arm Pad - Gel Ovation (pair)			£137	<input type="checkbox"/>
111	AR99	Omit armrest			NC	<input type="checkbox"/>

1 - May have a 1/2" adjustment restriction on both limits of the range 2 - Could interfere with some rigid back rests; Not compatible with attendant lock 3 - Not available with the swing away armrest

SIDE GUARDS (not available with Flip Back and "T" Armrest)						
112	SG01	Plastic side guards (removable)			£175	<input type="checkbox"/>
113	SG02	Carbon fiber side guards (fixed)			£225	<input type="checkbox"/>
114	SG03	Carbon fiber side guards (removable)			£265	<input type="checkbox"/>
115	SG06	Plastic fender side guards (removable) ¹			£245	<input type="checkbox"/>
116	SG04	Carbon fiber fender side guards (removable)			£445	<input type="checkbox"/>
117	SG99	Omit side guard			NC	<input type="checkbox"/>
SIDE GUARDS OPTION						
118	SG07	Side guards clip (pair) ²			NC	<input type="checkbox"/>

1 - Not compatible with 20" (50,8cm) and 22" (53,34cm) rear wheels 2 - Not available with fixed carbon fiber side guard

POSITIONING BELT						
119	SB01	Velcro adjustable	Standard (88,9 cm/35") <input type="checkbox"/>	Long (152,40 cm/60") <input type="checkbox"/>	£42	<input type="checkbox"/>
120	SB02	Auto buckle	Standard (88,9 cm/35") <input type="checkbox"/>	Long (152,40 cm/60") <input type="checkbox"/>	£78	<input type="checkbox"/>
121	SB07	Hardware attachment for 2 point seatbelt (1 pair)			NC	<input type="checkbox"/>
122	SB03	Additional hardware for 2 extra attachment points (needed for the 4 point seat belt) (1 pair)			£16	<input type="checkbox"/>
123	SB04	BodyPoint Hip Belt - 2 point not padded	M (142,24 cm/56") <input type="checkbox"/>	L (154,94 cm/61") <input type="checkbox"/>	£72	<input type="checkbox"/>
124	SB05	BodyPoint Hip Belt - 2 point padded	S (129,54 cm/51") <input type="checkbox"/>	M (142,24 cm/56") <input type="checkbox"/>	£155	<input type="checkbox"/>
125	SB06	BodyPoint Hip Belt - 4 point padded	S (129,54 cm/51") <input type="checkbox"/>	M (142,24 cm/56") <input type="checkbox"/>	£170	<input type="checkbox"/>
126	SB08	BodyPoint EVOFLEX® Positioning Belt Rehab latch and Band Clamps	M (73,66 cm/18") <input type="checkbox"/>	L (93,98 cm/24") <input type="checkbox"/>	£258	<input type="checkbox"/>
127	SB99	Omit positioning belt			STD	<input type="checkbox"/>

HEADREST										
128	AC01	Profiled Headrest	S (8,8x15,2 cm/3,5"x6") <input type="checkbox"/>	M (11,4x17,8 cm/4,5"x7") <input type="checkbox"/>	L (14x2,3 cm/5,5"x8") <input type="checkbox"/>				£163	<input type="checkbox"/>
129	AC28	Headrest mounting hardware with removable non folding stabilizer bar ¹							£266	<input type="checkbox"/>

1 - Only available with push handles - Not available with a stroller handle or a folding stabiliser bar

ACCESSORIES														
130	AC03	Anti tippers							£125	<input type="checkbox"/>				
131	AC29	Swing-away anti-tippers ¹	Left <input type="checkbox"/>	Right <input type="checkbox"/>				New	£120	<input type="checkbox"/>				
132	AC27	Tip assist ²							£55	<input type="checkbox"/>				
133	AC04	Transit Tie Down (Unoccupied)							NC	<input type="checkbox"/>				
134	AC05	WC-19 Transit Tie Down w/Q'straint belt ³	Short belt 20-41" <input type="checkbox"/>	Long belt 20-46" <input type="checkbox"/>					£290	<input type="checkbox"/>				
135	AC06	Cane carrier	Left <input type="checkbox"/>	Right <input type="checkbox"/>					£108	<input type="checkbox"/>				
136	AC07	Oxygen tank holder - E Type	Left						£280	<input type="checkbox"/>				
137	AC08	Spoke guards ⁴	Available: 20", 22", 24", 26"						£105	<input type="checkbox"/>				
138	AC09	Footrest neoprene impact guard (pair) - Black							£80	<input type="checkbox"/>				
139	AC10	Seat pouch							£68	<input type="checkbox"/>				
140	AC26	BodyPoint Mobility Bag							£112	<input type="checkbox"/>				
141	AC23	Newton Backpack							£105	<input type="checkbox"/>				
142	AC12	Velcro Closing Strap							£46	<input type="checkbox"/>				
143	AC13	Tool kit							£40	<input type="checkbox"/>				
144	AC16	Motion Composites Polo Shirt	W/S <input type="checkbox"/>	W/M <input type="checkbox"/>	W/L <input type="checkbox"/>	M/S <input type="checkbox"/>	M/M <input type="checkbox"/>	M/L <input type="checkbox"/>	M/XL <input type="checkbox"/>	M/XXL <input type="checkbox"/>	M/XXXL <input type="checkbox"/>	M/XXXXL <input type="checkbox"/>	£30	<input type="checkbox"/>

1 - Must select the pair (left and right) with HD option

2 - Cannot be combined with Anti Tippers

3 - May interfere with swing away armrest and Clamp on height adjustable push handle; Not available with HD option

4 - Not available with Mag wheels and Spinergy

FRAME COLOR (with black hydroformed aluminum crossbrace)												
145	FC01	Black <input type="checkbox"/>							NC	<input type="checkbox"/>		
146	FC	(03) Sunkissed Orange <input type="checkbox"/>	(04) Burgundy <input type="checkbox"/>	(05) Sapphire Blue <input type="checkbox"/>	(06) Monster Green <input type="checkbox"/>	(07) Charcoal <input type="checkbox"/>	(08) Fuchsia <input type="checkbox"/>	(09) Steel Blue <input type="checkbox"/>	(17) Ferrari Red <input type="checkbox"/>	(18) Acid Green <input type="checkbox"/>	NC	<input type="checkbox"/>
147	FC99	Custom Color	Specify PPG Paintit color:							additional 10 days lead-time	£310	<input type="checkbox"/>

TOTAL										
--------------	--	--	--	--	--	--	--	--	--	--

Fork and Stem bolt combinations

