



P.O. number: _____	Date: _____	Ship to: _____
Company Name: _____	Phone: _____	Name: _____
Purchasing contact: _____		Address: _____
Clinician/Sales rep/ATP: _____	City: _____	Country: _____
Email: _____	Postcode: _____	
Marked for: _____	* Required	Phone: _____ Taxes not included

MA083 English Manual (STD)

MODEL								GBP		
1	WC20	Ultralight <b>VELOCE</b> Wheelchair (120 kg - 265 lb weight limit)						£4 150	<input type="checkbox"/>	
2	WC09	<b>HD</b> Heavy Duty package (159 kg - 350 lb weight capacity)						£405	<input type="checkbox"/>	
3	WC10	E-Motion adaptor Kit (2 adaptors) - Only necessary with 6° camber						£36	<input type="checkbox"/>	
SEAT WIDTH <sup>3</sup> - cm (inches)										
4	SW	Seat width:	35,6 (14") <input type="checkbox"/>	38,1 (15") <input type="checkbox"/>	40,6 (16") <input type="checkbox"/>	43,2 (17") <input type="checkbox"/>	45,7 (18") <sup>2</sup> <input type="checkbox"/>	48,3 (19") <sup>2</sup> <input type="checkbox"/>	NC	<input type="checkbox"/>
5	SW	Seat width:	50,8 (20") <sup>2</sup> <input type="checkbox"/>					£360	<input type="checkbox"/>	
SEAT DEPTH - cm (inches)										
6	SD	Seat depth:	35,6 (14") <sup>1</sup> <input type="checkbox"/>	38,1 (15") <sup>1</sup> <input type="checkbox"/>	40,6 (16") <input type="checkbox"/>	43,2 (17") <input type="checkbox"/>	45,7 (18") <input type="checkbox"/>	48,3 (19") <input type="checkbox"/>	NC	<input type="checkbox"/>
7	SD	Seat depth:	50,8 (20") <input type="checkbox"/>					£360	<input type="checkbox"/>	

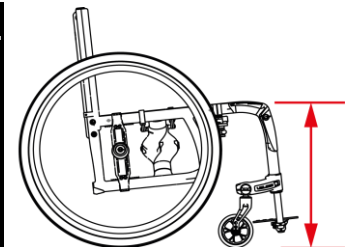
1 - Depth achieved with shorter seat sling.    2 - Available with HD option    3. [Width calculator](#)

FRAME LENGTH									
8	SP01	Standard frame length configuration <sup>1</sup>						STD	<input type="checkbox"/>
9	SP02	Frame length 2.5 cm (1") longer than standard configuration						NC	<input type="checkbox"/>
10	SP03	Frame length 5 cm (2") longer than standard configuration						NC	<input type="checkbox"/>
11	SP04	Frame length 2.5 cm (1") shorter than standard configuration						NC	<input type="checkbox"/>
12	SP05	Frame length 5 cm (2") shorter than standard configuration						NC	<input type="checkbox"/>

1- Distance of 10.16cm (4.37") from seat end to bend

**FRONT Seat-to-floor height**

Caster sizes	Height available +/- 1/4"	
7,62cm (3") Caster	35,6cm to 53,3cm (14" to 21")	<b>Specify desired height:</b>  _____ (inches)
10,16cm (4") Caster	36,8cm to 53,3cm (14.5" to 21")	
12,7cm (5") Caster	39,4cm to 53,3cm (15.5" to 21")	
15,25cm (6") Caster	41,9cm to 53,3cm (16.5" to 21") (N/A with 90° front frame)	



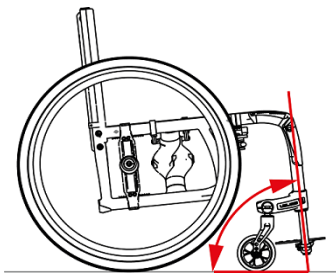
CASTERS										
13	CA01	Composite wheel w/ PU tire (1" width)	3" <input type="checkbox"/>	4" <input type="checkbox"/>	5" <input type="checkbox"/>	6" <input type="checkbox"/>		NC	<input type="checkbox"/>	
14	CA10	Pneumatic casters 6" x 1 1/4" (15,24x3,17cm)						£145	<input type="checkbox"/>	
15	CA14	Newton UltraCaster Soft-Roll Composite	4" x 1 1/2"						£72	<input type="checkbox"/>
16	CA15		5" x 1 1/2"						£72	<input type="checkbox"/>
17	CA16		6" x 1 1/2"						£72	<input type="checkbox"/>
18	CA17	Newton UltraCaster Soft-Roll Aluminum	4" x 1 1/2"						£125	<input type="checkbox"/>
19	CA18		5" x 1 1/2"						£130	<input type="checkbox"/>
20	CA19		6" x 1 1/2"						£135	<input type="checkbox"/>
CASTER OPTIONS										
21	CA13	Carbon fiber Frog Legs suspension forks (Not available with caster pin locks)						£405	<input type="checkbox"/>	

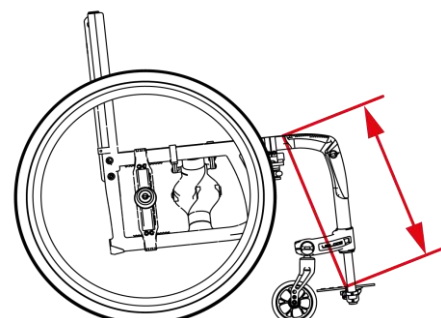
## Veloce - REAR Seat-to-floor Height

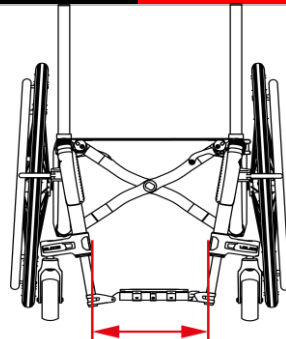
WHEEL SIZES	Height available		
22" (501) wheel <input type="checkbox"/>	34.3cm / 13.5"	to 46.4cm / 18.25"	Specify desired height: <hr style="border: 0; border-top: 1px solid black; width: 100%;"/>
24" (540) wheel <input type="checkbox"/>	36.8cm / 14.5"	to 48.9cm / 19.25"	
25" (559) wheel <input type="checkbox"/>	38.1cm / 15"	to 50.2cm / 19.75"	
26" (590) wheel <input type="checkbox"/>	39.4cm / 15.5"	to 51.4cm / 20.25"	

*Configuration used: 2.5 cm (1") seat slope with a center of gravity at 5cm (2")*

*Note: Tire size, center of gravity setting and seat slope may result in a variation of +/- 1,25 cm (½") of selected Seat to Floor height"*

FRONT FRAME ANGLE						
22	FA70	70° Front Frame Angle			NC	<input type="checkbox"/>
23	FA75	75° Front frame angle		NC	<input type="checkbox"/>	
24	FA80	80° Front Frame Angle		NC	<input type="checkbox"/>	
25	FA85	85° Front frame angle		NC	<input type="checkbox"/>	
26	FA90	90° Front Frame Angle		NC	<input type="checkbox"/>	

SEAT TO FOOTREST HEIGHT	
<b>Set Length to<sup>1</sup>:</b>	<i>Length must be at least 4,5 cm (1 ¾") shorter than front seat-to-floor height</i>
1 - +/- 1.27 cm (1/2")	

Footrest width / Taper selection					
Seat Width	Straight <sup>1</sup>		1" Taper		
Outside Measurement	6,4 cm Narrower than Seat Width		11,4 cm Narrower than Seat Width		
35,56    14"	29,21	11,5"	24,13	9,5"	
38,1     15"	31,75	12,5"	26,67	10,5"	
40,64    16"	34,29	13,5"	29,21	11,5"	
43,18    17"	36,83	14,5"	31,75	12,5"	
45,72    18"	39,37	15,5"	34,29	13,5"	
48,26    19"	41,91	16,5"	36,83	14,5"	
50,8     20"	44,45	17,5"	39,37	15,5"	

*1- May interfere with auto-folding and flip-up footplates*

FOOTPLATES										
27	FP06	One piece adjustable angle flip-up ( <i>Aluminum</i> )							NC	<input type="checkbox"/>
28	FP07	One piece adjustable angle flip-up ( <i>Carbon fiber with rubber inserts</i> )							£390	<input type="checkbox"/>
29	FP28	One piece auto-folding adjustable angle ( <i>Aluminum</i> )							£258	<input type="checkbox"/>
30	FP29	One piece auto-folding adjustable angle ( <i>Carbon fiber with rubber inserts</i> )							£305	<input type="checkbox"/>
31	FP02	Newton adjustable angle footplate ( <i>Composites - Two piece</i> )							£185	<input type="checkbox"/>
32	FP03	Newton adjustable angle ( <i>Aluminum - Two piece</i> )							£205	<input type="checkbox"/>
33	FP04	Newton adjustable angle footplate ( <i>Carbon fiber with rubber inserts - Two piece</i> )							£375	<input type="checkbox"/>
FOOTPLATE ACCESSORIES										
34	FP08	Length adjustable heel loop ( <i>not available with one piece footplate</i> )							£36	<input type="checkbox"/>
35	FP09	Calf strap							£30	<input type="checkbox"/>
36	FP30	Bodypoint Aeromesh Padded calf strap							£305	<input type="checkbox"/>

Backrest										
FIXED HEIGHT, NO PUSH HANDLE OPTIONS										
37	BC03	Ultralight carbon fiber back cane <sup>1</sup> 12 (9") <input type="checkbox"/> 22 (12") <input type="checkbox"/> 38 (15") <input type="checkbox"/> 45,7 (18") STD <input type="checkbox"/> 53,3 (21") <input type="checkbox"/>							NC	<input type="checkbox"/>
38	BC04	<b>8° bend</b> carbon fiber back cane <sup>1</sup> 34,3 (13 ½) <input type="checkbox"/> 38,1 (15") <input type="checkbox"/> 45,7 (18") STD <input type="checkbox"/>							£46	<input type="checkbox"/>
HEIGHT ADJUSTABLE WITH PUSH HANDLES										
39	BC06	<b>Straight</b> carbon fiber back cane 22 - 30,4 (9-12") <input type="checkbox"/> 30,4 - 38 (12-15") <input type="checkbox"/> 38 - 45,7 (15-18") <input type="checkbox"/> 45,7 - 53,3 (18-21") STD <input type="checkbox"/>							NC	<input type="checkbox"/>
40	BC08	<b>8° bend</b> Carbon fiber back cane 34,3 - 38 (13 ½-15") <input type="checkbox"/> 38,1 - 45,7 (15-18") <input type="checkbox"/> 45,7 - 53,3 (18-21") STD <input type="checkbox"/>							£46	<input type="checkbox"/>
HEIGHT AND ANGLE ADJUSTABLE WITH PUSH HANDLE OPTIONS										
41	BC09	<b>Straight</b> carbon fiber back cane 30,4 - 38 (12-15") <input type="checkbox"/> 38,1 - 45,7 (15-18") <input type="checkbox"/> 45,7 - 53,3 (18-21") STD <input type="checkbox"/>							£180	<input type="checkbox"/>
42	BC10	<b>8° bend</b> carbon fiber back cane 34,3 - 38 (13 ½-15") <input type="checkbox"/> 38,1 - 45,7 (15-18") <input type="checkbox"/> 45,7 - 53,3 (18-21") STD <input type="checkbox"/>							£225	<input type="checkbox"/>
43		Select back cane angle: 85° <sup>1</sup> <input type="checkbox"/> 90° <input type="checkbox"/> 95° <b>STD</b> <input type="checkbox"/> 100° <input type="checkbox"/> 105° <input type="checkbox"/> 110° <input type="checkbox"/>								
<b>Set height to:</b> <sup>2</sup> (measured from seat sling to top of back upholstery)										
PUSH HANDLE OPTIONS										
44	PH01	Push handles							NC	<input type="checkbox"/>
45	PH05	Fold down push handles <sup>3,5</sup>							£125	<input type="checkbox"/>
46	PH06	Clamp on height adjustable push handle <sup>3,4,5</sup> 22,9 -50,8 cm (9-20") STD <input type="checkbox"/> 22,9 - 58.4 cm (9-23") <input type="checkbox"/>							£268	<input type="checkbox"/>
47	PH02	Omit push handles							NC	<input type="checkbox"/>

1- Not available with a 8 degree bend cane 2 - If not indicated, default height setting is at the lowest position 3 - 120 kg/265 pounds weight limit

4 - Not compatible with swing away armrests, 8° bend back canes

5 - Not compatible with stroller handle, stabilizer bar, headrest and attendant lock

BACK UPHOLSTERY										
48	BH07	Slip-on Active-Mesh back upholstery							NC	<input type="checkbox"/>
49	BH08	Adjustable tension Active-Mesh back upholstery							£150	<input type="checkbox"/>
50	BH99	Omit Back upholstery							NC	<input type="checkbox"/>

SEAT CUSHION										
51	SC01	5,1 cm (2") Cushion							£150	<input type="checkbox"/>
52	SC02	7,6 cm (3") Cushion							£168	<input type="checkbox"/>
53	SC99	Omit seat cushion							STD	<input type="checkbox"/>

Rear wheels											
ONE ARM DRIVE <sup>1</sup> Only available with Newton One rear wheels with Aluminum, Plastic coated Handrims											
54	HR22	One arm drive <sup>2,3</sup>	24"	left <input type="checkbox"/>	right <input type="checkbox"/>				£1 240	<input type="checkbox"/>	
55	HR98	Omit handrim on opposite side of the One Arm Drive (OAD)							NC	<input type="checkbox"/>	
REAR WHEELS											
56	RW01	Mag <sup>4</sup>	22" <input type="checkbox"/>	24" <input type="checkbox"/>					£46	<input type="checkbox"/>	
57	RW02	Newton One - spoke wheel <sup>5</sup>	22" <input type="checkbox"/>	24" <input type="checkbox"/>					NC	<input type="checkbox"/>	
58	RW03	Newton Gravity - ultralight wheel	22" <input type="checkbox"/>	24" <input type="checkbox"/>	25" <input type="checkbox"/>	26" <input type="checkbox"/>			£285	<input type="checkbox"/>	
59	RW04	Spinerigy Spox	22" <input type="checkbox"/>	24" <input type="checkbox"/>	25" <input type="checkbox"/>	26" <input type="checkbox"/>			£620	<input type="checkbox"/>	
60		Spinerigy Spox spokes colors <sup>6</sup>	<b>Blk STD</b> <input type="checkbox"/>	Wht <input type="checkbox"/>	Blue <input type="checkbox"/>	Red <input type="checkbox"/>	Yel <input type="checkbox"/>		NC	<input type="checkbox"/>	
61	RW05	Spinerigy LX	22" <input type="checkbox"/>	24" <input type="checkbox"/>	25" <input type="checkbox"/>	26" <input type="checkbox"/>			£825	<input type="checkbox"/>	
62		Spinerigy LX spokes colors <sup>6</sup>	<b>Blk STD</b> <input type="checkbox"/>	Pur <input type="checkbox"/>	Wht <input type="checkbox"/>	Blue <input type="checkbox"/>	Red <input type="checkbox"/>	Yel <input type="checkbox"/>	Pink <input type="checkbox"/>	Grn <input type="checkbox"/>	Org <input type="checkbox"/>
63	RW07	Spinerigy CLX Carbon Blade		24" <input type="checkbox"/>	25" <input type="checkbox"/>				£1 240	<input type="checkbox"/>	
64		Spinerigy CLX spokes colors <sup>6</sup>	<b>Blk STD</b> <input type="checkbox"/>	Pur <input type="checkbox"/>	Wht <input type="checkbox"/>	Blue <input type="checkbox"/>	Red <input type="checkbox"/>	Yel <input type="checkbox"/>	Pink <input type="checkbox"/>	Grn <input type="checkbox"/>	Org <input type="checkbox"/>
TIRES											
								<b>Available</b>			
65	TI01	Soft Urethane 3,17cm (1 1/4")						22" 24"	NC	<input type="checkbox"/>	
66	TI02	Soft Urethane knobby 3,49cm (1 3/8")						22", 24", 25", 26"	£88	<input type="checkbox"/>	
67	TI04	Soft Urethane - Shox 2,54cm (1")						22", 24", 25", 26"	£102	<input type="checkbox"/>	
68	TI05	Pneumatic 3,49cm (1 3/8")						22", 24", 25", 26"	NC	<input type="checkbox"/>	
69	TI08	Pneumatic with Airless insert 3,49cm (1 3/8") <sup>7</sup>						22", 24", 26"	£72	<input type="checkbox"/>	
70	TI06	Pneumatic HP - 2,54cm (1")						22", 24", 25", 26"	£88	<input type="checkbox"/>	
71	TI07	Pneumatic HP - Schwalbe Marathon Plus 2,54cm (1")						24", 25", 26"	£98	<input type="checkbox"/>	

1 - Offered with handrims on each side of the wheelchair

2 - Only standard handrim position available

3 - Not available with HD option

4 - Not compatible with HP tires ; Only available with aluminum or plastic coated handrim in standard position

5 - Not compatible with Shox tires

6 - Colour spokes require an additional 10 days lead-time

7 - Only available with Newton One and Newton Gravity rear wheels

Handrims															
HANDRIM															
72	HR01	Aluminum anodized							STD	<input type="checkbox"/>					
73	HR61	Aluminum black hard anodised <sup>1,3</sup>							<b>New</b>	£57	<input type="checkbox"/>				
74	HR02	Plastic coated <sup>2</sup>								£88	<input type="checkbox"/>				
75	HR03	Q-Grip High friction Neoprene coated <sup>2,3,4</sup>								£305	<input type="checkbox"/>				
76	HR07	Newton Air Grip <sup>3</sup>	Black <input type="checkbox"/>							£88	<input type="checkbox"/>				
77	HR	Newton Air Grip <sup>3</sup>	(08) Sunkissed Orange <input type="checkbox"/>	(09) Burgundy <input type="checkbox"/>	(10) Sapphire Blue <input type="checkbox"/>	(11) Monster Green <input type="checkbox"/>	(12) Charcoal <input type="checkbox"/>	(13) Fuchsia <input type="checkbox"/>	(14) Steel Blue <input type="checkbox"/>	(15) Ferrari Red <input type="checkbox"/>	(16) Acid Green <input type="checkbox"/>	(17) White <input type="checkbox"/>	(18) Sky Blue <input type="checkbox"/>	£180	<input type="checkbox"/>
79	HR05	Surge LT <sup>2,3,4</sup>	(1-1/8" Oval handrim w/ Gripton high friction strip)							£365	<input type="checkbox"/>				
80	HR04	Natural Fit Standard Grip <sup>2,3,4</sup>								£280	<input type="checkbox"/>				
81	HR99	Omit handrim								NC	<input type="checkbox"/>				

1 - Not available in 26"

2 - Only standard handrim position available

3 - Not available with Mag wheels or OAD

4 - Not available in 20"

Handrims option											
Assembly position for aluminum and Newton AirGrip handrims											
82	HR29	Standard Handrim position	Full tab							STD	<input type="checkbox"/>
83	HR30	Narrow Handrim position	Short tab 2 positions							£20	<input type="checkbox"/>
84	HR31	Super Narrow Handrim	Short tab 2 positions STD <input type="checkbox"/>	Short tab 1 position <input type="checkbox"/>						£20	<input type="checkbox"/>
Thumb piece <sup>4</sup> selection for Natural Fit handrims											
85	HR23	Standard grip								£78	<input type="checkbox"/>
86	HR27	Super grip								£125	<input type="checkbox"/>
87	HR099	Omit thumb piece								NC	<input type="checkbox"/>

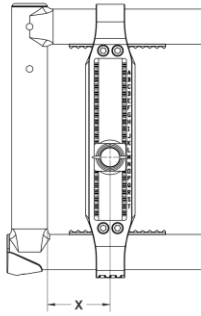
4 - Compatible with Surge, Surge LT handrims

AXLE <sup>1</sup>											
88	AX01	Quick release axle								STD	<input type="checkbox"/>
89	AX03	Quad release axle								£112	<input type="checkbox"/>

1 - Not required with one arm drive

REAR WHEEL CAMBER											
90	CM00	0° camber								STD	<input type="checkbox"/>
91	CM03	3° camber								NC	<input type="checkbox"/>
92	CM06	6° camber								£135	<input type="checkbox"/>

**CENTER OF GRAVITY**



**Choose position of rear wheel axle plate:**

Measure distance X from front of back post to center of axle receiver.

X =	Most stable										Most responsive		
	2,5 1"	3,2 1/4"	3,8 1/2"	4,4 3/4"	5,1 2"	5,7 1/4"	6,3 1/2"	7 3/4"	7,6 3"	8,3 1/4"	8,9 1/2"	9,5 3/4"	10,2 4"
	<input type="checkbox"/>	<input type="checkbox"/>	<input type="checkbox"/>	<input type="checkbox"/>	<input type="checkbox"/>	<input type="checkbox"/>	<input type="checkbox"/>	<input type="checkbox"/>	<input type="checkbox"/>	<input type="checkbox"/>	<input type="checkbox"/>	<input type="checkbox"/>	<input type="checkbox"/>

**If not indicated, default setting is at 3,8 cm/1.5"**

Possible conflict between a seat depth under 40.6 cm (16") and a center of gravity over 6,3 cm (2.5").

Possible conflict between a 26" rear wheel and a center of gravity over 6,3 cm (2.5").

If a configuration issue arises due to the choice of the Center Of Gravity (COG) Motion Composites reserves the right to reduce or increase the COG to the closest position.

**WHEEL LOCK**

93	WL08	Newton Wheel lock - push to lock							STD	<input type="checkbox"/>
94	WL02	Pull to lock							NC	<input type="checkbox"/>
95	WL04	Newton grade aid push to lock (suggested with pneumatic or high pressure tire)							£140	<input type="checkbox"/>
96	WL13 WL14	6" removable extension handle							£70	<input type="checkbox"/>
97	WL05	Scissor Lock							£125	<input type="checkbox"/>
98	WL99	Omit wheel locks							NC	<input type="checkbox"/>

**Handrims**

FLIP BACK ARMREST <sup>1</sup>		Height Adjustment		Removable function			
99	AR01	10" Desk Length (25,4 cm)	20,3 - 30,5 (8 - 12") <input type="checkbox"/> STD	25,4 - 35,6 (10 - 14") <input type="checkbox"/>	Locked <input type="checkbox"/>	Unlocked <input type="checkbox"/>	STD £320 <input type="checkbox"/>
100	AR02	14" Full Length (35,6 cm)	20,3 - 30,5 (8 - 12") <input type="checkbox"/> STD	25,4 - 35,6 (10 - 14") <input type="checkbox"/>	Locked <input type="checkbox"/>	Unlocked <input type="checkbox"/>	STD £320 <input type="checkbox"/>
"T" ARMREST <sup>1</sup>		Height Adjustment					
101	AR03	10" Desk Length (25,4 cm)	20,3 - 30,5 (8 - 12") <input type="checkbox"/> STD	25,4 - 35,6 (10 - 14") <input type="checkbox"/>			£320 <input type="checkbox"/>
102	AR04	14" Full Length (35,6 cm)	20,3 - 30,5 (8 - 12") <input type="checkbox"/> STD	25,4 - 35,6 (10 - 14") <input type="checkbox"/>			£320 <input type="checkbox"/>
SWING AWAY ARMREST <sup>2</sup>		Height Adjustment					
103	AR05	Tubular arm pad	20,3 - 27,9 (8 - 11")				£200 <input type="checkbox"/>
104	AR06	10 "Desk length arm pad	20,3 - 27,9 (8 - 11")				£200 <input type="checkbox"/>
GEL ARM PAD <sup>3</sup>							
105	AR12	36cm (14") Full Length Arm Pad - Gel Ovation					£137 <input type="checkbox"/>
106	AR99	Omit armrest					NC <input type="checkbox"/>

1 - May have a 1/2" adjustment restriction on both limits of the range

2 - Could interfere with some rigid back rests

3 - Not available with swing away armrest

**SIDE GUARDS (not available with Flip Back and "T" Armrest)**

107	SG01	Plastic side guards (removable)					£175 <input type="checkbox"/>
108	SG02	Carbon fiber side guards (fixed)					£225 <input type="checkbox"/>
109	SG03	Carbon fiber side guards (removable)					£265 <input type="checkbox"/>
110	SG06	Plastic fender side guards (removable) <sup>1</sup>					£242 <input type="checkbox"/>
111	SG04	Carbon fiber fender side guards (removable)					£445 <input type="checkbox"/>
112	SG99	Omit side guard					NC <input type="checkbox"/>
SIDE GUARDS OPTION							
113	SG07	Side guards clip (pair) <sup>2</sup>					NC <input type="checkbox"/>

1 - Not compatible with 20" and 22" rear wheels

2 - Not available with fixed carbon fiber side guard

**POSITIONING BELT**

114	SB01	Velcro adjustable	Standard 88,9 cm (35") <input type="checkbox"/>	Long 152,40 cm (60") <input type="checkbox"/>			£42 <input type="checkbox"/>
115	SB02	Auto buckle	Standard 88,9 cm (35") <input type="checkbox"/>	Long 152,40 cm (60") <input type="checkbox"/>			£78 <input type="checkbox"/>
116	SB07	Hardware attachment for 2 point seatbelt (1 pair)					NC <input type="checkbox"/>
117	SB03	Additional attachment hardware for 4 point seatbelt					£16 <input type="checkbox"/>
118	SB04	BodyPoint Hip Belt - 2 point not padded	M (142,24 cm/56") <input type="checkbox"/>	L (154,94 cm/61") <input type="checkbox"/>			£72 <input type="checkbox"/>
119	SB05	BodyPoint Hip Belt - 2 point padded	S (129,54 cm/51") <input type="checkbox"/>	M (142,24 cm/56") <input type="checkbox"/>	L (154,94 cm/61") <input type="checkbox"/>		£155 <input type="checkbox"/>
120	SB06	BodyPoint Hip Belt - 4 point padded	S (129,54 cm/51") <input type="checkbox"/>	M (142,24 cm/56") <input type="checkbox"/>	L (154,94 cm/61") <input type="checkbox"/>		£170 <input type="checkbox"/>
121	SB08	BodyPoint EVOFLEX® Positioning Belt Rehab latch and Band Clamps	M (73,66 cm/18") <input type="checkbox"/>	L (93,98 cm/24") <input type="checkbox"/>			£258 <input type="checkbox"/>
122	SB99	Omit positioning belt					STD <input type="checkbox"/>

**HEADREST<sup>1</sup>**

123	AC01	Profiled Headrest	S 8.8 X 15.2 cm (3.5"X6") <input type="checkbox"/>	M 11.4 X 17.8 cm (4.5"X7") <input type="checkbox"/>	L 14 X 2.3 cm (5.5"X8") <input type="checkbox"/>		£163 <input type="checkbox"/>
124	AC28	Headrest mounting hardware with tension bar					£266 <input type="checkbox"/>

1 - Only available with push handles

ACCESSORIES											
124	AC03	Anti tippers							£125	<input type="checkbox"/>	
125	AC27	Tip assist <sup>1</sup>							£55	<input type="checkbox"/>	
126	AC05	WC-19 Transit Tie Down w/Q'straint belt <sup>2</sup>	Short 50-104 cm (20-41") <input type="checkbox"/>	Long 50-116 cm (20-46") <input type="checkbox"/>					£290	<input type="checkbox"/>	
127	AC06	Cane carrier	Left <input type="checkbox"/>	Right <input type="checkbox"/>					£108	<input type="checkbox"/>	
128	AC08	Spoke guards <sup>3</sup>	Available: 22", 24", 26"							£105	<input type="checkbox"/>
129	AC10	Seat pouch							£68	<input type="checkbox"/>	
130	AC26	BodyPoint Mobility Bag							£112	<input type="checkbox"/>	
131	AC23	Newton Backpack							£105	<input type="checkbox"/>	
132	AC12	Velcro Closing Strap							£46	<input type="checkbox"/>	
133	AC13	Tool kit							£40	<input type="checkbox"/>	
134	AC16	Motion Composites Polo Shirt	W/S <input type="checkbox"/>	W/M <input type="checkbox"/>	W/L <input type="checkbox"/>				£30	<input type="checkbox"/>	
			M/S <input type="checkbox"/>	M/M <input type="checkbox"/>	M/L <input type="checkbox"/>	M/XL <input type="checkbox"/>	M/XXL <input type="checkbox"/>	M/XXXL <input type="checkbox"/>			M/XXXXL <input type="checkbox"/>

1 - Cannot be combined with Anti Tippers    2 - May interfere with swing away armrest and Clamp on height adjustable push handle; Not available with HD option

3 - Not available with Mag wheels and Spinergy

CARBON FIBER FINISH										
135	FC	Highlight color:	(10) Ferrari Red	(11) White <input type="checkbox"/>	(12) Black <input type="checkbox"/>	(13) Sunkissed Orange <input type="checkbox"/>			NC	<input type="checkbox"/>
			(14) Sky Blue <input type="checkbox"/>	(15) Fuchsia <input type="checkbox"/>	(16) Acid Green <input type="checkbox"/>					
<b>TOTAL</b>										

**Notes :**