

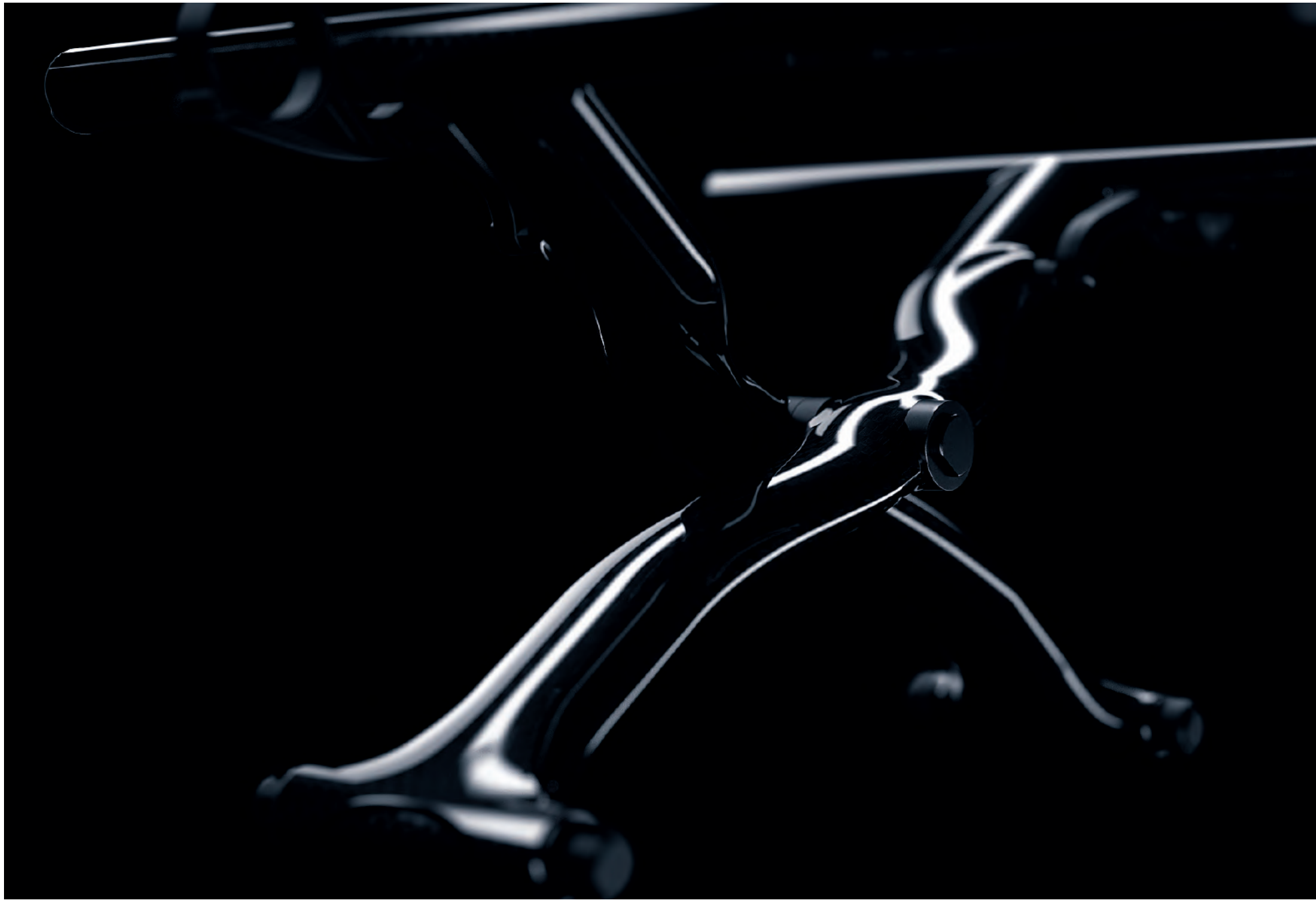


**MOTION**  
COMPOSITES



MANUAL  
WHEELCHAIR

OPTIONS AND ACCESSORIES GUIDE





## NO MATTER WHAT YOU NEED, WE'VE GOT YOU COVERED

Our manual wheelchair options and accessories guide lets you explore the numerous choices available to tailor your wheelchair to your specific needs, while also offering elegant enhancements that truly reflects who you are.

*GO BEYOND*

# INDEX

06

CASTERS

07

FOOTRESTS/  
FOOTPLATES

10

BACK  
CANES

12

BACK  
UPHOLSTERY

13

ONE ARM  
DRIVE

14

REAR  
WHEELS

15

TIRES

16

HANDRIMS





18

AXLES



19

WHEEL LOCKS

21

ARMRESTS

22

SIDE GUARDS



23

POSITIONING  
BELTS

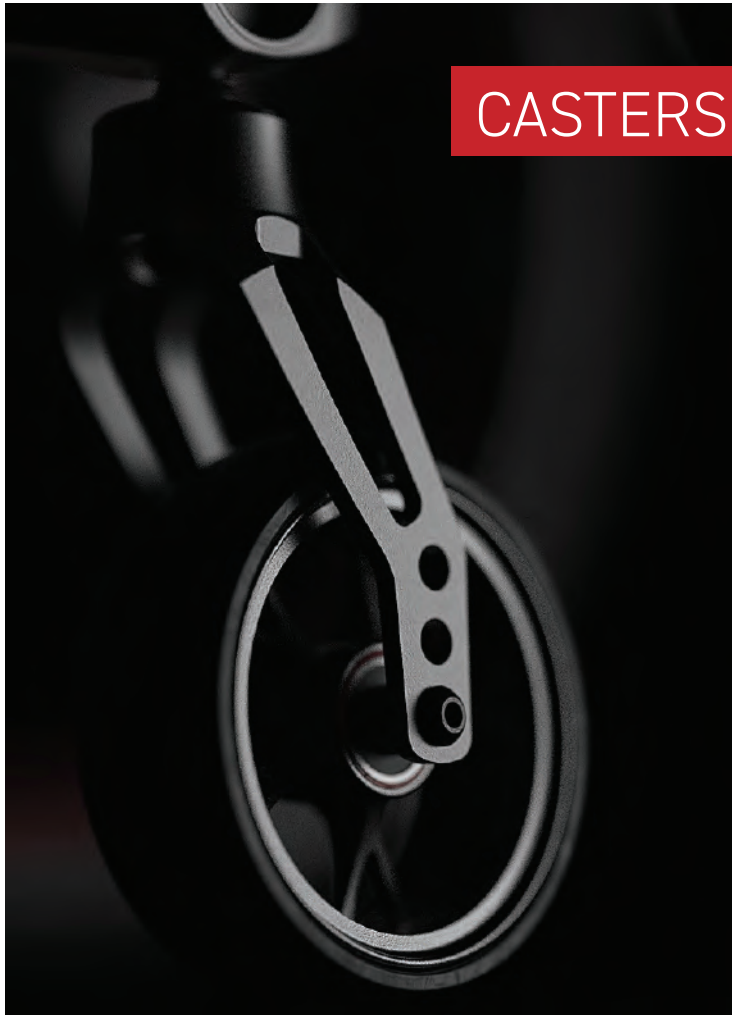
24

ACCESSORIES

26

FRAME  
COLORS

**27** COMPATIBILITY TABLE



**CASTERS**

**OPTION**

CA13 →  
Carbon fiber Frog Legs  
suspension forks – Phase 2



CA01 (3") CA01 (4") CA01 (5") CA01 (6") CA01 (7") CA01 (8")

CA01 →  
Composite wheel w/PU tire (1" width)



CA10 (6") CA11 (8")

CA10 →  
Pneumatic casters 6" x 1 1/4"

CA11 →  
Pneumatic casters 8" x 1 1/4"



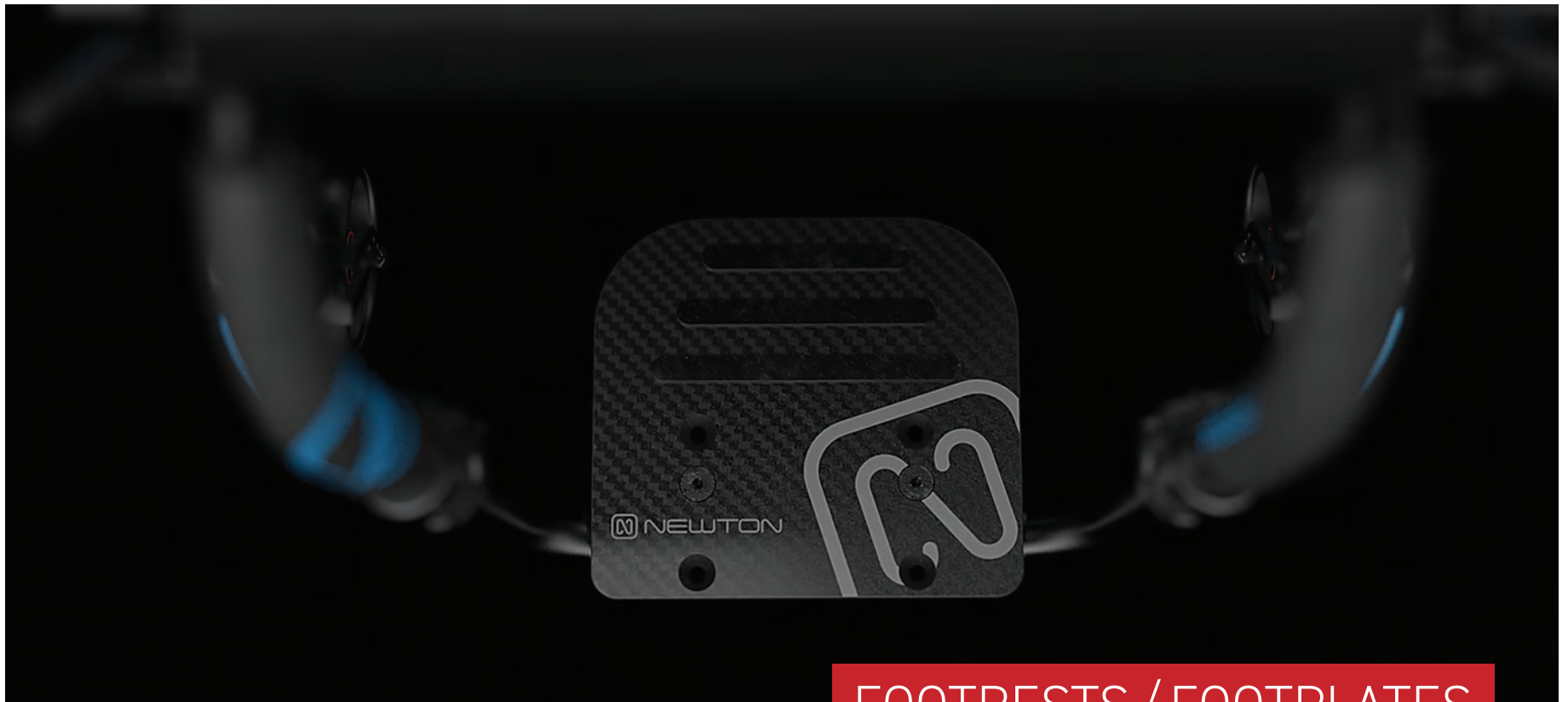
CA14 (4") CA15 (5") CA16 (6")

CA14 to CA16 →  
Newton UltraCaster Soft-Roll composite  
4", 5", 6" x 1 1/2"



CA17 (4") CA18 (5") CA19 (6")

CA17 to CA19 →  
Newton UltraCaster Soft-Roll aluminum  
4", 5" 6" x 1 1/2"



## FOOTRESTS / FOOTPLATES

### RIGID WHEELCHAIR FOOTRESTS



FP12 ↑  
Tubular open loop



FP13 ↑  
Tubular with ABS footplate



FP31 ↑  
Adjustable angle –  
Aluminum (one piece)



NEWTON FP32 ↑  
Adjustable angle – Carbon fiber with  
rubber inserts (one piece)



Flip back position

FP15 ↑

Flip back, adjustable angle – Carbon with rubber inserts (one piece)

FP14 Flip back, adjustable angle – Aluminum (one piece)



FR26 ↑

High mount with adjustable angle footplate – Carbon fiber with rubber inserts (one piece)

FR25 High mount with adjustable angle footplate – Aluminum (one piece)

## FOLDING WHEELCHAIR FOOTRESTS



FR03 to FR08, FR15 ↑

Swing-in/swing-out footrest

FR01, FR02 Swing away footrest



FR09 ↑

High mount (footplate attached to the hanger with clamps)



FR10 ↑

Elevating legrest with calf pad, 14"-22" length adjustable



FR27 to FR30 ↑

Residual limb support (flat cushion)



FR32, FR33 ↑

Residual limb support (contoured)



## FOOTPLATES



FP01 ↑  
Standard – Composite



FP02 ↑  
Newton adjustable angle – Aluminum



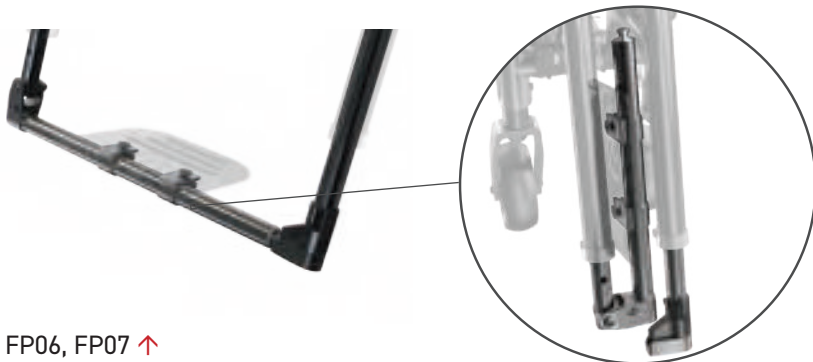
FP03 ↑  
Newton adjustable angle – Composite



FP04 ↑  
Newton adjustable angle – Carbon fiber with rubber inserts



FP05 ↑  
Newton adjustable angle extra deep – Aluminum



FP06, FP07 ↑  
One piece adjustable angle flip-up

Folded position



FP28, FP29 ↑  
One piece auto-folding adjustable angle

Folded Position

## FOOTREST/FOOTPLATE ACCESSORIES



FP16 ↑  
2" riser



FP08 ↑  
Length adjustable heel loop



FP09 ↑  
Calf strap



FP30 ↑  
Bodypoint Aeromesh padded calf strap

# BACK CANES

## RIGID WHEELCHAIRS

### FOLD DOWN BACKRESTS



BC20 ↑  
Locking backrest



BC21 ↑  
Ultralight non locking backrest  
(not locking in upright or  
down position)



BC56 ↑  
Depth adjustable back  
(provides 3" of depth adjustment)

## FOLDING WHEELCHAIRS

### DEPTH ADJUSTABLE BACK



BC09 ↑ showed  
Not available in the US



BC15 ↑ showed

For the complete back canes overview, please refer to the compatibility table on page 28.

## BACK CANE OPTIONS

### BACKREST OPTIONS



← BC57  
Standard 3" deep rigidizer bar - Carbon



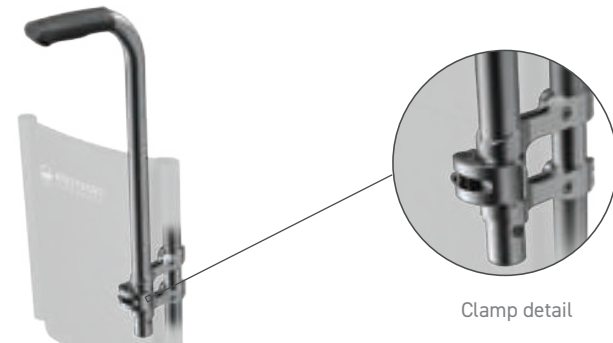
← BC57  
Standard 3" deep rigidizer bar - Aluminum  
BC55 4" deep rigidizer bar - Aluminum

### PUSH HANDLE OPTIONS



Fold down position

PH05 ↑  
Fold down push handles



Clamp detail

PH06 ↑  
Clamp on height adjustable push handle

### STROLLER HANDLE AND STABILIZER OPTIONS



← PH04  
Stroller handle  
Not available with the HD option

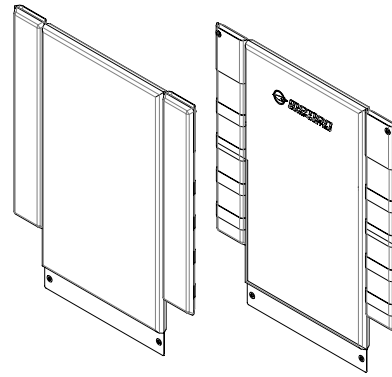


Folded position

← PH03  
Newton folding stabilizer bar

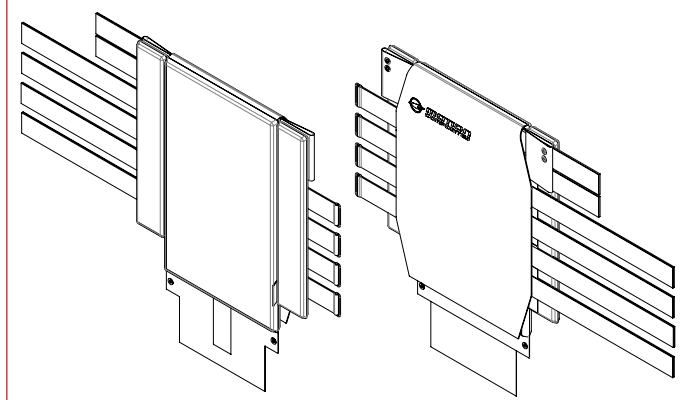


**BACK UPHOLSTERY**



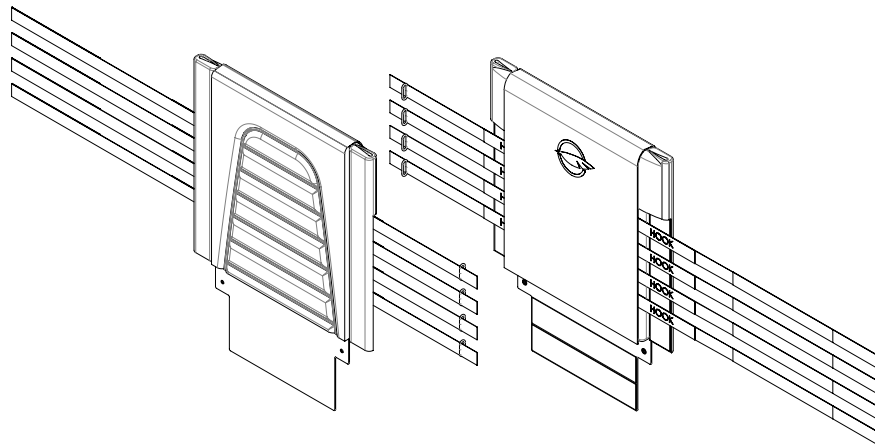
Front Back

**BH05** ↑  
Slip-on Nylon back upholstery



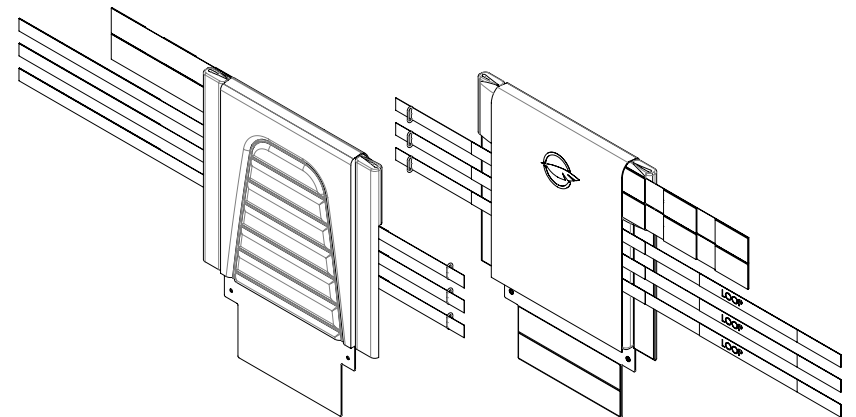
Front Back

**BH06** ↑  
Adjustable tension Nylon back upholstery



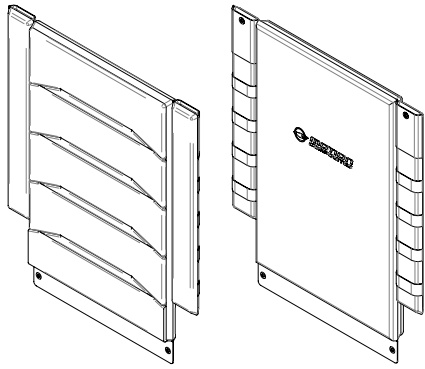
Front Back

**BH03** ↑  
Slip-on Syntech-Suede back upholstery



Front Back

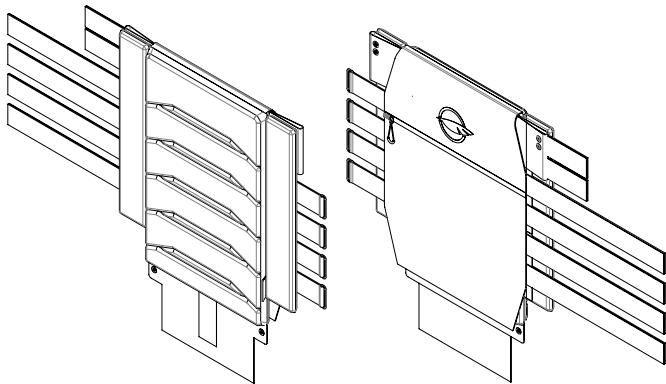
**BH04** ↑  
Adjustable tension Syntech-Suede back upholstery



Front

Back

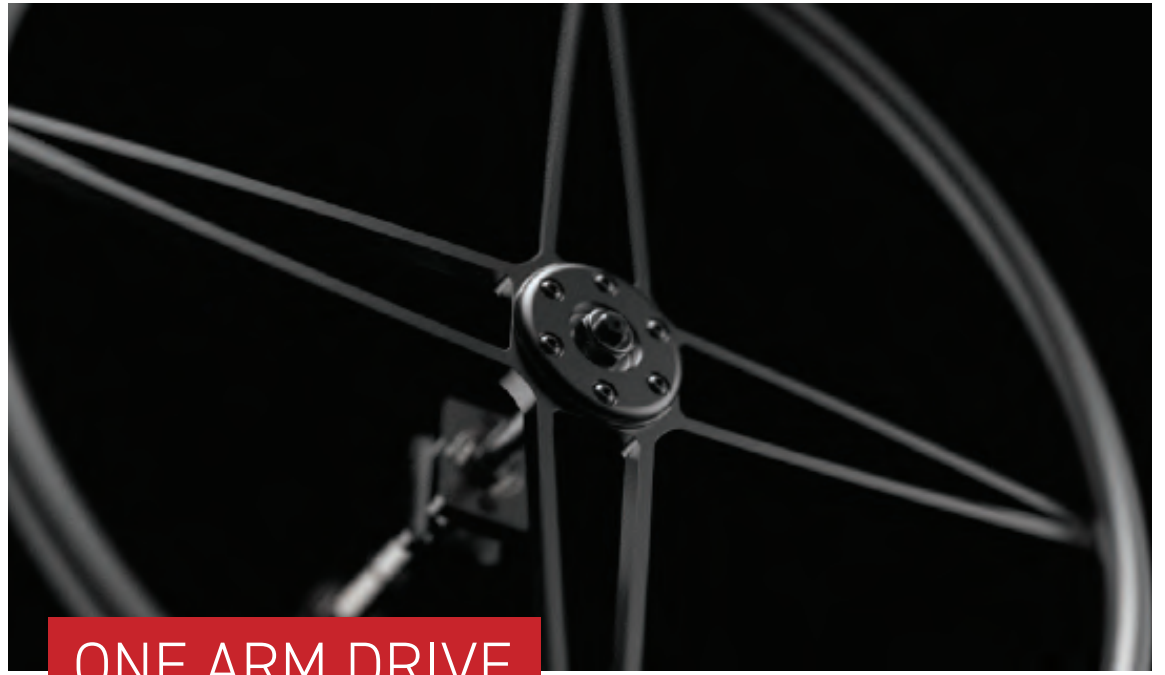
**BH07** ↑  
Slip-on Active-Mesh back upholstery



Front

Back

**BH08** ↑  
Adjustable tension Active-Mesh back upholstery



**ONE ARM DRIVE**



**HR22** ↑  
One arm drive 24"



## REAR WHEELS



RW01 ↑  
Mag



RW02 ↑  
Newton One - Spoke wheel



RW03 ↑  
Newton Gravity - Ultralight wheel



RW04 ↑  
Spinergy Spox\*



RW05 ↑  
Spinergy LX\*



RW07 ↑  
Spinergy CLX Carbon Blade\*

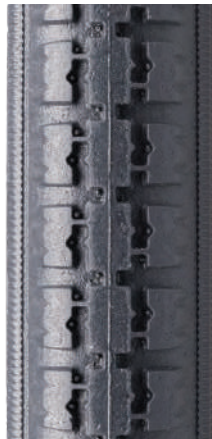
\* Different colors are available for the Spinergy rear wheels.



TIRES



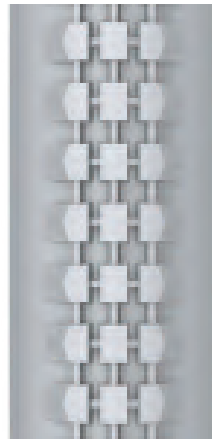
TI01 ↑  
Soft Urethane 1 1/4"



TI02 ↑  
Soft Urethane -  
Knobby 1 3/8"



TI04 ↑  
Soft Urethane -  
Shox 1"



TI05 ↑  
Pneumatic 1 3/8"

TI08 Pneumatic with  
Airless insert 1 3/8"




TI06 ↑  
Pneumatic HP 1"



TI07 ↑  
Pneumatic HP  
Schwalbe  
Marathon Plus 1"



# HANDRIMS

 HR07 to HR18 →  
 Newton Air Grip:  
 Black, Sunkissed Orange,  
 Burgundy, Sapphire Blue,  
 Monster Green, Charcoal,  
 Fuchsia, Steel Blue,  
 Ferrari Red, Acid Green,  
 White, Sky Blue



HR01 ↑  
Aluminum anodized



HR61 ↑  
Black aluminum hard anodized

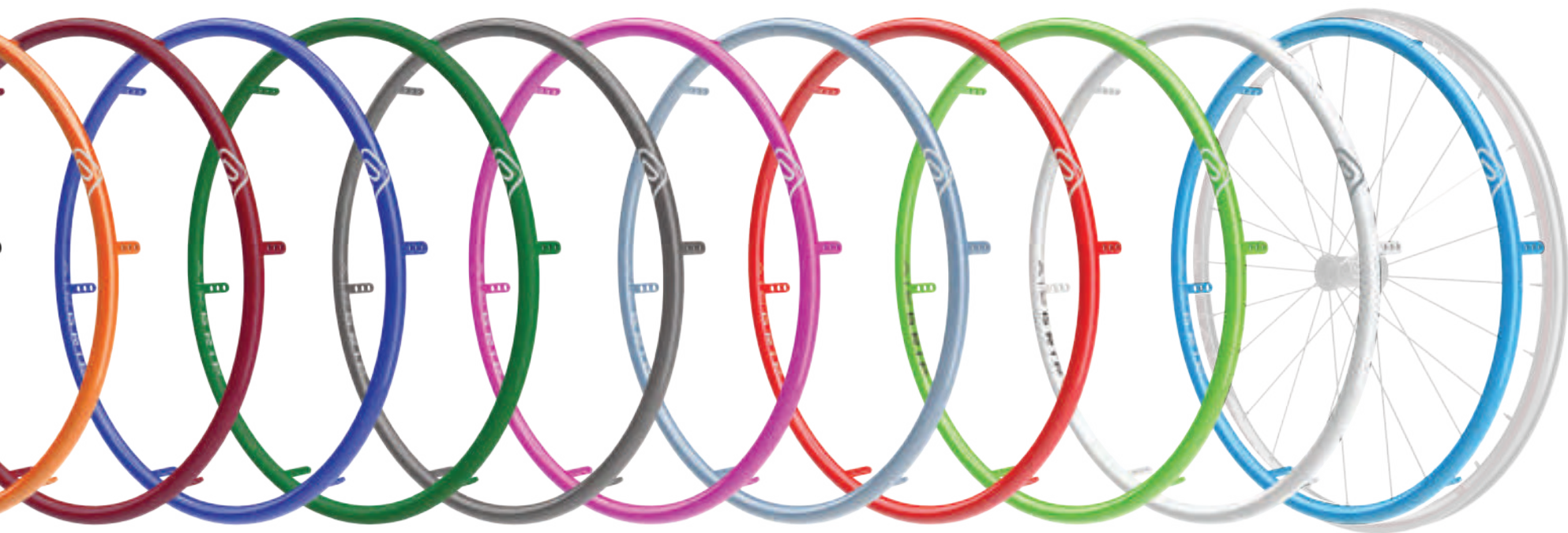


HR02 ↑  
Plastic coated



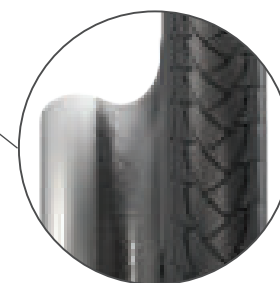
HR03 ↑  
Q-Grip high friction neoprene coated





Grip detail

HR05 ↑  
Surge LT  
HR28 Surge



Grip detail

HR04 ↑  
Natural Fit (shown with optional  
thumb standard grip (HR23))



AXLES



AX01 ↑  
Quick release axle



AX02 ↑  
Permanent axle



AX03 ↑  
Quad release axle



AX04 ↑  
Amputee adjustable axle plate

# WHEEL LOCKS





**WL08** ↑  
Newton wheel lock – push to lock



**WL02** ↑  
Pull to lock



**WL04** ↑  
Newton grade aid push to lock (suggested with pneumatic or high pressure tire)



**WL13** ↑  
6" removable extension handle for grade-aid and pull to lock



**WL14** ↑  
6" removable extension handle for Newton push to lock



**WL05**  
Scissor lock



**WL06** ↑  
Attendant lock (additional set of wheel lock mounted to the back)

# ARMRESTS



**AR02** ↑  
Flip back armrest shown with 14" full length arm pad



**AR14** ↑  
"T" armrest shown with 14" full length arm pad



**AR06** ↑  
Swing-away armrest with 10" desk length arm pad



**AR04** ↑  
"T" armrest shown with 14" full length arm pad



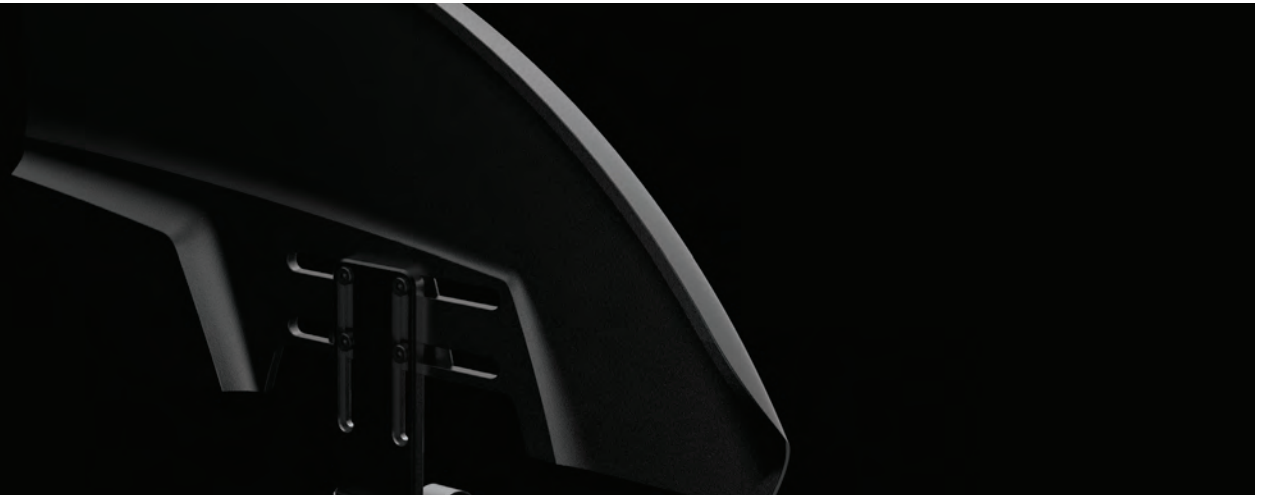
**AR05** ↑  
Swing-away armrest with tubular arm pad



**AR07** ↑  
Locking flip-up armrest

\* Most of these armrests are available with the 10" desk length arm pad and with 14" full length arm pad. Please check the availability table on page 30.

# SIDE GUARDS



SG01 ↑  
Plastic side guards (removable)



SG02 ↑  
Carbon fiber side guards (fixed)



SG03 ↑  
Carbon fiber side guards (removable)



SG06 ↑  
Plastic fender side guards (removable)



SG04 ↑  
Carbon fiber fender side guards (removable)

## OPTION



SG07 ↑  
Side guard clip

# POSITIONING BELTS



SB01 ↑  
Velcro adjustable



SB02 ↑  
Auto buckle



SB05 ↑  
BodyPoint Hip Belt - 2 point padded



SB06 ↑  
BodyPoint Hip Belt - 4 point padded

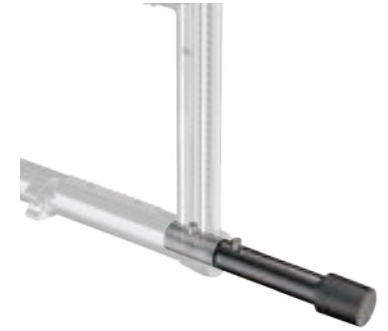


SB08 ↑  
BodyPoint EVOFLEX® Positioning Belt Rehab latch and Band Clamps

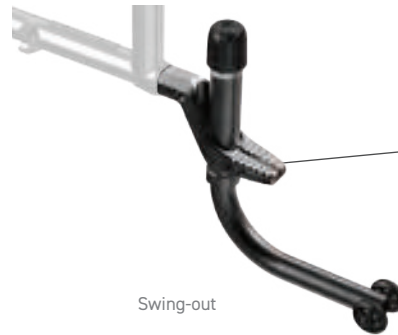
# ACCESSORIES



AC03 ↑  
Anti tippers



AC27 ↑  
Tip assist



Swing-out



Swing-in

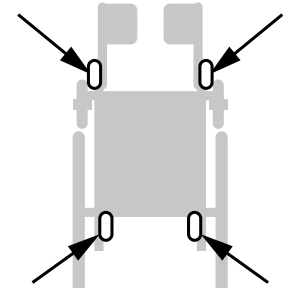
AC29 ↑  
Swing away anti-tipper



Front



Rear



Tie down location

AC04 ↑  
Transit tie down (unoccupied)





AC06 ↑  
Cane carrier



AC07 ↑  
Oxygen tank holder – E type (left)



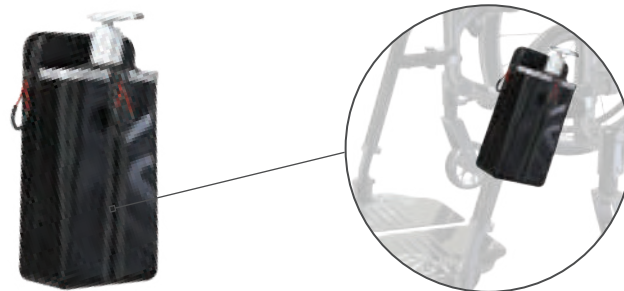
AC08 ↑  
Spoke guards (pair)



AC09 ↑  
Footrest neoprene impact guard (pair) –  
shown in red



AC10 ↑  
Seat pouch



AC30 ↑  
Newton sanitizing multi-purpose pouch



AC26 ↑  
BodyPoint mobility bag



AC23 ↑  
Newton backpack

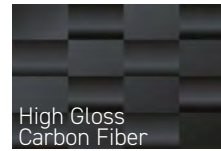


AC13 ↑  
Tool kit

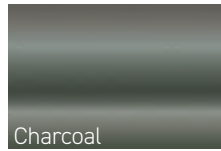


AC16 ↑  
Motion Composites polo shirt

# FRAME COLORS



**FC01** ↑  
Black or High Gloss Carbon Fiber  
(if carbon fiber frame)



**FC03** ↑  
Color

**FC99** Custom color  
*Motion Composites can match any desired color*

**FC10** →  
Highlight color  
Ferrari Red



**FC11** →  
Highlight color  
White



**FC12** →  
Highlight color  
Black



**FC13** →  
Highlight color  
Sunkissed Orange



**FC14** →  
Highlight color  
Sky Blue



**FC15** →  
Highlight color  
Fuchsia



**FC16** →  
Highlight color  
Acid Green



# COMPATIBILITY TABLE

■ AVAILABLE    ■ NOT AVAILABLE

**APEX**   **VELOCE**   **HELIO C2**   **HELIO A7**   **HELIO A6**   **MOVE**<sup>1</sup>   **HELIO KIDS**<sup>1</sup>

## CASTERS

Code	Description	APEX	VELOCE	HELIO C2	HELIO A7	HELIO A6	MOVE <sup>1</sup>	HELIO KIDS <sup>1</sup>
CA01	Composite wheel w/PU tire 3", 4", 5", 6", 7", 8" x 1"	■	■	■	■	■	■	■
CA10	Pneumatic casters 6" x 1½"	■	■	■	■	■	■	■
CA11	Pneumatic casters 8" x 1½"	■	■	■	■	■	■	■
☒ CA14 to CA16	Newton UltraCaster Soft-Roll composite 4", 5", 6" x 1½"	■	■	■	■	■	■	■
☒ CA17 to CA19	Newton UltraCaster Soft-Roll aluminum 4", 5", 6" x 1½"	■	■	■	■	■	■	■

## CASTER OPTIONS

Code	Description	APEX	VELOCE	HELIO C2	HELIO A7	HELIO A6	MOVE <sup>1</sup>	HELIO KIDS <sup>1</sup>
CA12	Caster pin lock	■	■	■	■	■	■	■
CA13	Carbon fiber Frog Legs suspension forks Pase 2	■	■	■	■	■	■	■

## FOOTRESTS/FOOTPLATES

### Rigid wheelchair – Footrests

Code	Description	APEX	VELOCE	HELIO C2	HELIO A7	HELIO A6	MOVE <sup>1</sup>	HELIO KIDS <sup>1</sup>
FP12	Tubular open loop	■	■	■	■	■	■	■
FP13	Tubular with ABS footplate	■	■	■	■	■	■	■
FP31	Adjustable angle – Aluminum (one piece)	■	■	■	■	■	■	■
FP32	Adjustable angle – Carbon fiber with rubber inserts (one piece)	■	■	■	■	■	■	■
FP14	Flip back, adjustable angle – Aluminum (one piece)	■	■	■	■	■	■	■
FP15	Flip back, adjustable angle – Carbon fiber with rubber inserts (one piece)	■	■	■	■	■	■	■
FR25	High mount with adjustable angle footplate – Aluminum (one piece)	■	■	■	■	■	■	■
FR26	High mount with adjustable angle footplate – Carbon fiber with rubber inserts (one piece)	■	■	■	■	■	■	■

### Folding wheelchair – Footrests

Code	Description	APEX	VELOCE	HELIO C2	HELIO A7	HELIO A6	MOVE <sup>1</sup>	HELIO KIDS <sup>1</sup>
FR01, FR02	Swing away footrest	■	■	■	■	■	■	■
FR03 to FR08, FR15	Swing-in/swing-out footrest	■	■	■	■	■	■	■
FR09	High mount (footplate attached to the hanger with clamps)	■	■	■	■	■	■	■
FR10	Elevating legrest with calf pad, 14"-22" length adjustable	■	■	■	■	■	■	■
FR27 to FR30	Residual limb support (flat cushion)	■	■	■	■	■	■	■
FR32, FR33	Residual limb support (contour cushion)	■	■	■	■	■	■	■

<sup>1</sup> Not available in USA.

Note: The availability of options and accessories may vary depending on your region. Refer to the order form.

**Footplates**

FP01	Standard – Composite	■	■	■	■	■	■	■
Ⓜ FP02	Newton adjustable angle – Composite	■	■	■	■	■	■	■
Ⓜ FP03	Newton adjustable angle – Aluminum	■	■	■	■	■	■	■
Ⓜ FP04	Newton adjustable angle – Carbon fiber with rubber inserts	■	■	■	■	■	■	■
Ⓜ FP05	Newton adjustable angle extra deep – Aluminum	■	■	■	■	■	■	■
FP06, FP07	One piece adjustable angle flip-up – Aluminum, carbon fiber with rubber inserts	■	■	■	■	■	■	■
FP28, FP29	One piece auto-folding adjustable angle – Aluminum, carbon fiber with rubber inserts	■	■	■	■	■	■	■

**FOOTPLATE ACCESSORIES**

FP16	2" riser	■	■	■	■	■	■	■
FP08	Length adjustable heel loop	■	■	■	■	■	■	■
FP09	Calf strap	■	■	■	■	■	■	■
FP30	Bodypoint Aeromesh padded calf strap	■	■	■	■	■	■	■

**BACK CANES**

**Fixed angle back – with integrated fixed height push handles**

BC58	Straight aluminum back cane	■	■	■	■	■	■	■
BC01	8° bend aluminum back cane	■	■	■	■	■	■	■

**Adjustable angle back – with integrated fixed height push handles**

BC02	8° bend aluminum back cane	■	■	■	■	■	■	■
------	----------------------------	---	---	---	---	---	---	---

**Fixed angle back – fixed height without option**

BC03	Straight carbon fiber back cane	■	■	■	■	■	■	■
BC04	8° bend carbon fiber back cane	■	■	■	■	■	■	■

**Fixed angle back – height adjustable with options**

BC06	Straight carbon fiber back cane height adjustable	■	■	■	■	■	■	■
BC08	8° bend carbon fiber back cane height adjustable	■	■	■	■	■	■	■
BC11	Straight aluminum back cane height adjustable	■	■	■	■	■	■	■
BC12	8° bend aluminum back cane height adjustable	■	■	■	■	■	■	■

**Adjustable angle back – height adjustable with options**

BC13	Adjustable angle, straight aluminum back cane	■	■	■	■	■	■	■
BC14	Adjustable angle, 8° bend aluminum back cane	■	■	■	■	■	■	■
BC09	Angle adjustable, straight carbon fiber back cane	■	■	■	■	■	■	■
BC10	Angle adjustable, 8° bend carbon fiber back cane	■	■	■	■	■	■	■

**Adjustable back – depth and angle adjustable with options**

BC15	Straight aluminum back cane	■	■	■	■	■	■	■
BC16	8° bend aluminum back cane	■	■	■	■	■	■	■

**Fold down backrest**

BC20	Locking backrest	■	■	■	■	■	■	■
BC21	Ultralight non locking backrest (not locking in upright and down position)	■	■	■	■	■	■	■

<sup>1</sup> Not available in USA.

Note: The availability of options and accessories may vary depending on your region. Refer to the order form.

**Adjustable angle fold down backrest, fixed adjustable without options**

BC22	Straight back canes	■	■	■	■	■	■	■
BC30	Fixed height without push handle	■	■	■	■	■	■	■

**BACK CANE OPTIONS**

**Backrest options**

BC57	Standard 3" deep rigidizer bar – Carbon or aluminum	■	■	■	■	■	■	■
BC55	4" Deep aluminum rigidizer bar	■	■	■	■	■	■	■
BC56	Depth adjustable back (provides 3" of depth adjustment)	■	■	■	■	■	■	■

**Push handle options**

PH01	Push handles	■	■	■	■	■	■	■
PH05	Fold down push handles	■	■	■	■	■	■	■
PH06	Clamp on height adjustable push handles	■	■	■	■	■	■	■

**Stroller handle and stabilizer bar**

PH04	Stroller handle (not available with the HD option)	■	■	■	■	■	■	■
☞ PH03	Newton folding stabilizer bar	■	■	■	■	■	■	■

**BACK UPHOLSTERY**

BH05	Slip-on Nylon back upholstery	■	■	■	■	■	■	■
BH06	Adjustable tension Nylon back upholstery	■	■	■	■	■	■	■
BH03	Slip-on Syntech-Suede back upholstery	■	■	■	■	■	■	■
BH04	Adjustable tension Syntech-Suede back upholstery	■	■	■	■	■	■	■
BH07	Slip-on Active-Mesh back upholstery	■	■	■	■	■	■	■
BH08	Adjustable tension Active-Mesh back upholstery	■	■	■	■	■	■	■

**ONE ARM DRIVE**

HR22	One arm drive 24"	■	■	■	■	■	■	■
------	-------------------	---	---	---	---	---	---	---

**REAR WHEELS**

RW01	Mag	■	■	■	■	■	■	■
☞ RW02	Newton One – spoke wheel	■	■	■	■	■	■	■
☞ RW03	Newton Gravity – ultralight wheel	■	■	■	■	■	■	■
RW04	Spinergy Spox	■	■	■	■	■	■	■
RW05	Spinergy LX	■	■	■	■	■	■	■
RW07	Spinergy CLX Carbon Blade	■	■	■	■	■	■	■

**TIRES**

TI01	Soft Urethane 1½"	■	■	■	■	■	■	■
TI02	Soft Urethane Knobby 1¾"	■	■	■	■	■	■	■
TI04	Soft Urethane – Shox 1"	■	■	■	■	■	■	■
TI05	Pneumatic 1¾"	■	■	■	■	■	■	■
TI08	Pneumatic with Airless insert 1¾"	■	■	■	■	■	■	■
TI06	Pneumatic HP 1"	■	■	■	■	■	■	■
TI07	Pneumatic HP – Schwalbe Marathon Plus 1"	■	■	■	■	■	■	■

**HANDRIMS**

HR01	Aluminum anodized	■	■	■	■	■	■	■
☒ HR07 to HR18	Newton Air Grip <i>Black, Sun-kissed Orange, Burgundy, Sapphire Blue, Monster Green, Charcoal, Fuchsia, Steel Blue, Ferrari Red, Acid Green, White, Sky Blue</i>	■	■	■	■	■	■	■
HR02	Plastic coated	■	■	■	■	■	■	■
HR03	Q-Grip High friction Neoprene coated	■	■	■	■	■	■	■
HR28	Surge	■	■	■	■	■	■	■
HR05	Surge LT	■	■	■	■	■	■	■
HR04	Natural Fit (shown with optional thumb standard grip HR23)	■	■	■	■	■	■	■
HR61	Black aluminum hard anodized	■	■	■	■	■	■	■

**AXLES**

AX01	Quick release axle	■	■	■	■	■	■	■
AX02	Permanent axle	■	■	■	■	■	■	■
AX03	Quad release axle	■	■	■	■	■	■	■
AX04	Amputee adjustable axle plate	■	■	■	■	■	■	■

**WHEEL LOCKS**

☒ WL08	Newton wheel lock – push to lock	■	■	■	■	■	■	■
WL02	Pull to lock	■	■	■	■	■	■	■
☒ WL04	Newton grade aid push to lock (suggested with pneumatic or high pressure tire)	■	■	■	■	■	■	■
WL13	6" removable extension handle for grade-aid and pull to lock	■	■	■	■	■	■	■
WL14	6" removable extension handle for Newton push to lock	■	■	■	■	■	■	■
WL05	Scissor Lock	■	■	■	■	■	■	■
WL06	Attendant Lock (additional set of wheel lock mounted to the back)	■	■	■	■	■	■	■

**ARMRESTS**

AR01	Height adjustable flip back armrest (convertible to "T" armrest) 10" desk length arm pad	■	■	■	■	■ <sup>2</sup>	■	■
AR02	Height adjustable flip back armrest (convertible to "T" armrest) 14" full length arm pad	■	■	■	■	■ <sup>2</sup>	■	■
AR03/AR13	Height adjustable "T" armrest, 10" desk length arm pad	■	■	■	■	■	■	■
AR04/AR14	Height adjustable "T" armrest, 14" full length arm pad	■	■	■	■	■	■	■
AR05	Height adjustable swing-away armrest, tubular arm pad	■	■	■	■	■	■	■
AR06	Height adjustable swing-away armrest, 10" desk length arm pad	■	■	■	■	■	■	■
AR07	Locking flip-up armrest	■	■	■	■	■	■	■
AR12	14" full length armrest gel pad	■	■	■	■	■	■	■

**SIDE GUARDS**

SG01	Plastic side guards (removable)	■	■	■	■	■	■	■
SG02	Carbon fiber side guards (fixed)	■	■	■	■	■	■	■

<sup>1</sup> Not available in USA. <sup>2</sup> Not available in Canada

Note: The availability of options and accessories may vary depending on your region. Refer to the order form.

		APEX	VELOCE	HELIO C2	HELIO A7	HELIO A6	MOVE <sup>1</sup>	HELIO KIDS <sup>1</sup>
SG03	Carbon fiber side guards (removable)	■	■	■	■	■	■	■
SG06	Plastic fender side guards (removable)	■	■	■	■	■	■	■
SG04	Carbon fiber fender side guards (removable)	■	■	■	■	■	■	■
SG07	Side guards clip	■	■	■	■	■	■	■

### POSITIONING BELTS

SB01	Velcro adjustable	■	■	■	■	■	■	■
SB02	Auto buckle	■	■	■	■	■	■	■
SB04	BodyPoint Hip Belt – 2 point not padded	■	■	■	■	■	■	■
SB05	BodyPoint Hip Belt – 2 point padded	■	■	■	■	■	■	■
SB06	BodyPoint Hip Belt – 4 point padded	■	■	■	■	■	■	■
SB08	BodyPoint EVOFLEX® Positioning Belt Rehab latch and Band Clamps	■	■	■	■	■	■	■

### HEADRESTS

AC01	Profiled headrest	■	■	■	■	■	■	■
AC28	Headrest mounting hardware with stabilizer bar	■	■	■	■	■	■	■

### ACCESSORIES

AC03	Anti tippers	■	■	■	■	■	■	■
AC29	Swing away anti-tipper	■	■	■	■	■	■	■
AC27	Tip assist	■	■	■	■	■	■	■
AC04	Transit tie down (unoccupied)	■	■	■	■	■	■	■
AC05	WC-19 transit tie down w/Q'straint belt	■	■	■	■	■	■	■
AC06	Cane carrier	■	■	■	■	■	■	■
AC07	Oxygen tank holder – E type (left)	■	■	■	■	■	■	■
AC08	Spoke guards (pair)	■	■	■	■	■	■	■
AC09	Footrest neoprene impact guard (pair) – Available with various APEX A color frames	■	■	■	■	■	■	■
AC10	Seat pouch	■	■	■	■	■	■	■
AC30	Newton sanitizing multi-purpose pouch	■	■	■	■	■	■	■
AC26	BodyPoint mobility bag	■	■	■	■	■	■	■
AC12	Velcro closing strap	■	■	■	■	■	■	■

### FRAME COLORS

FC01	Black or carbon fiber black (if carbon fiber frame)	■	■	■	■	■	■	■
FC03	Sunkissed Orange, Burgundy, Sapphire Blue, Monster Green, Charcoal, Fuchsia, Steel Blue, Ferrari Red, Acid Green	■	■	■	■	■	■	■
FC10	Highlight color Ferrari Red	■	■	■	■	■	■	■
FC11	Highlight color White	■	■	■	■	■	■	■
FC12	Highlight color Black	■	■	■	■	■	■	■
FC13	Highlight color Sunkissed Orange	■	■	■	■	■	■	■
FC14	Highlight color Sky Blue	■	■	■	■	■	■	■
FC15	Highlight color Fuchsia	■	■	■	■	■	■	■
FC16	Highlight color Acid Green	■	■	■	■	■	■	■
FC99	Custom color	■	■	■	■	■	■	■

## GO BEYOND!

**Who we are:** passionate innovators pushing the boundaries of what is possible. **What we do:** combine leading-edge engineering with innovative materials to create movement. **What makes us proud:** having our ultralight wheelchairs echo the love of life their users demonstrate each day.

Through our unique approach and distinct attitude, our aim is to enhance lives, nourish a sense of freedom and revolutionize the way people see wheelchairs.

**LEARN MORE** To learn and find more information regarding our products, options and accessories, visit our website at [motioncomposites.com](http://motioncomposites.com)



**T** 1 (866) 650-6555

**F** 1 (888) 966-6555

[motioncomposites.com](http://motioncomposites.com)

0070837A-00-V2-BROCHURE OPTIONS ACCESSORIES-ENGLISH

