

<p>Base Price - £2692.00</p> <p>Valid from 01.01.24 to 31.12.24 Please ensure you are using the latest order form</p>	<p>Order no.:</p> <p>-----</p>
--	--------------------------------

Avantgarde XXL2 Active wheelchair

Article number 480F45=50000_K



<input type="checkbox"/> Provide estimate only		<input type="checkbox"/> Order	
<input type="checkbox"/> Attachment for custom fabrication enclosed			
Billing address/customer number			
Delivery address			
Sales person		Name	
		
		Date	Signature
<p>By placing the order, you agree to comply with the instructions for use/service manuals for accessories and products of other manufacturers when combining them with an Ottobock product, in addition to the instructions for use/service manuals of the respective Ottobock products. Also you confirm to have read, understood and accepted, our general terms and conditions. In addition, you agree, upon placing an order, to conduct your own conformity assessment or approval in accordance with national requirements if and when you implement modifications or attachments that do not meet the specifications of Ottobock instructions for use/service manuals.</p>			

Standard equipment

- Aluminium tube frame with double crossbrace
- Choice of frame offsets
- Single-panel aluminium leg support
- Back support with different height setting options, adaptable upholstery
- Aluminium side panels
- Swing-away leg support holders
- Modular design
- Reinforced hollow rims
- Knee lever wheel lock

Folding, max. user weight 180 kg/397 lbs

Seat measurements in cm*									
Seat width SW	<input type="checkbox"/> 46	<input type="checkbox"/> 48	<input type="checkbox"/> 50	<input type="checkbox"/> 52	<input type="checkbox"/> 54	<input type="checkbox"/> 56	<input type="checkbox"/> 58	<input type="checkbox"/> 60	<input type="checkbox"/> 62
Seat depth SD	<input type="checkbox"/> 40	<input type="checkbox"/> 42	<input type="checkbox"/> 44	<input type="checkbox"/> 46	<input type="checkbox"/> 48	<input type="checkbox"/> 50	<input type="checkbox"/> 52	<input type="checkbox"/> 54	<input type="checkbox"/> 56
Seat height measurements in cm*									
Anterior seat height	<input type="checkbox"/> 44	<input type="checkbox"/> 45	<input type="checkbox"/> 46	<input type="checkbox"/> 47	<input type="checkbox"/> 48	<input type="checkbox"/> 49	<input type="checkbox"/> 50	<input type="checkbox"/> 51	<input type="checkbox"/> 52
		<input type="checkbox"/> 53							
Posterior seat height	<input type="checkbox"/> 41	<input type="checkbox"/> 42	<input type="checkbox"/> 43	<input type="checkbox"/> 44	<input type="checkbox"/> 45	<input type="checkbox"/> 47			
		<input type="checkbox"/> 48	<input type="checkbox"/> 49	<input type="checkbox"/> 50	<input type="checkbox"/> 51	<input type="checkbox"/> 52	<input type="checkbox"/> 53		

* see information on the next page

The number codes contained in this order form are not intended to be used as article numbers for spare parts orders. Please use the spare parts catalogue for spare parts orders.

Information

Wheelchair measurements*

1 Anterior seat height (ASH)

= ground to top of seat upholstery

2 Lower leg length (LL)

= top of seat upholstery to top of foot plate
(without seat cushion)

3 Posterior seat height (PSH)

= ground to top of seat upholstery

4 Back support height (BH)

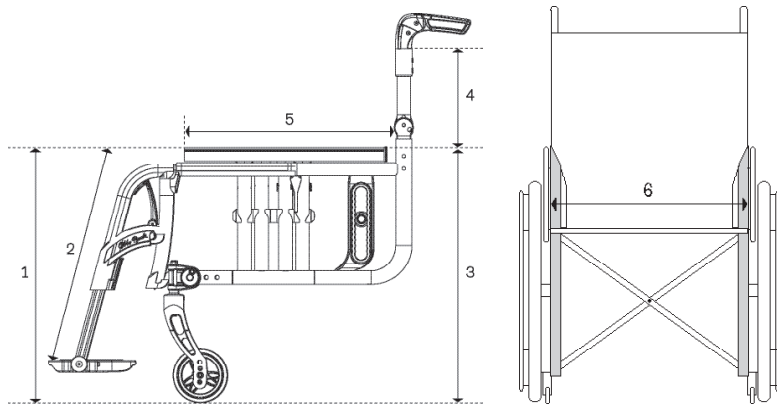
= top of seat tube (crossbrace) to top of back support upholstery

5 Seat depth (SD)

= front of seat upholstery to back support tube

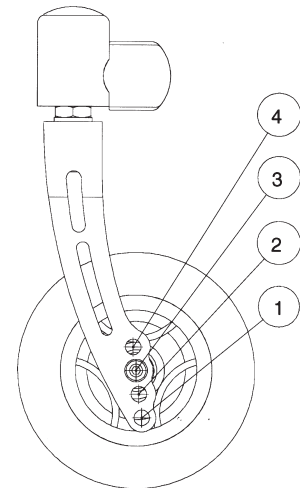
6 Seat width (SW)

= outside edge of frame tube to outside edge of frame tube



* This information will help to support user-oriented settings and product development. Ottobock guarantees the confidential and purely internal use of these data. A manufacturing tolerance of 10 mm applies to all measurements.

Anterior seat height		
Caster fork, short		
Position	Adjustment range in cm	
Caster wheel diameter	5"	44 – 46
	5.5"	46 – 47
	6"	46 – 47
	7"	-
	8"	-
Caster fork, long		
Position	Adjustment range in cm	
Caster wheel diameter	5"	46 – 49
	5.5"	47 – 50
	6"	47 – 51
	7"	48 – 52
	8"	51 – 53



The values indicated are rounded values which have been theoretically determined. Max. deviation of 1 cm. The anterior seat height depends on the selected wheel size, caster fork and mounting position. Please refer to the seat height table!

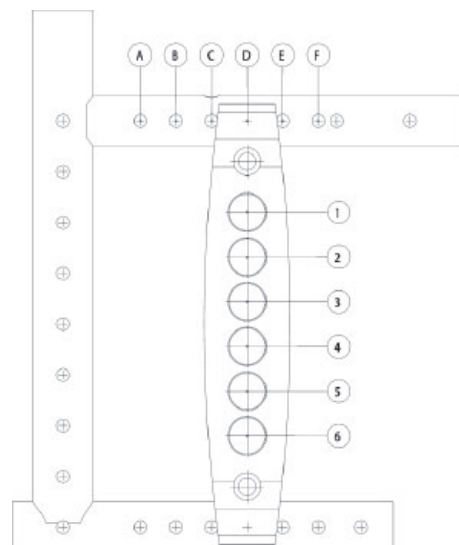
Specified without seat cushion at 0° seat inclination.

Horizontal position of the drive wheel attachment device: see sketch.

The posterior seat height (PSH) depends on the selected wheel size and mounting position in the drive wheel attachment device.

Please refer to the seat height table!

Posterior seat height in cm		
Mounting positions	Drive wheel size	
	24"	26"
1	41	42
2	43	44
3	45	47
4	48	49
5	50	51
6	52	53



Front frame type					
MA 01	<input type="checkbox"/>	Standard	£2692.00		
MA 02	<input type="checkbox"/>	Offset 2 cm (over leg support holder)	£2774.00		
Frame accessories					
MA 50	<input type="checkbox"/>	Transport wheels*	£197.00		
MA 51	<input type="checkbox"/>	Tip-assist, right	£58.00		
MA 52	<input type="checkbox"/>	Tip-assist, left	£58.00		
MA 55	<input type="checkbox"/>	Anti-tipper, right*	£156.00		
MA 56	<input type="checkbox"/>	Anti-tipper, left*	£156.00		
MA 57	<input type="checkbox"/>	Crutch holder with tip-assist, right	£86.00		
MA 58	<input type="checkbox"/>	Crutch holder with tip-assist, left	£86.00		
* The selection of transport wheels excludes the anti-tipper option and vice versa.					
Caster wheels					
MF 36	<input type="checkbox"/>	5" soft caster, aluminium (maximum load capacity 160 kg)	£152.00		
MF 04	<input type="checkbox"/>	5.5" soft	Inclusive		
MF 37	<input type="checkbox"/>	6" soft caster, aluminium (maximum load capacity 160 kg)	£152.00		
MF 14	<input type="checkbox"/>	7" solid rubber, wide (requires long caster fork)	Inclusive		
MF 09	<input type="checkbox"/>	8" pneumatic (requires long caster fork)	Inclusive		
Fork length					
MF 80	<input type="checkbox"/>	Caster fork, long	Inclusive		
MF 81	<input type="checkbox"/>	Caster fork, short	Inclusive		
Caster axle					
MF 90	<input checked="" type="checkbox"/>	Caster forks with threaded axles	Inclusive		
Drive wheel size					
MG 02	<input type="checkbox"/>	24"	Inclusive		
MG 03	<input type="checkbox"/>	26"	Inclusive		
Horizontal drive wheel position					
<input type="checkbox"/> A <input type="checkbox"/> B <input type="checkbox"/> C <input type="checkbox"/> D <input type="checkbox"/> E <input type="checkbox"/> F					
Drive wheel rim			24"	26"	
MG 06	<input type="checkbox"/>	Hollow rim	•	•	Inclusive
MG 80	<input type="checkbox"/>	Drive wheel with drum brake/attendant	•		£623.00
Tyres			24"	26"	
MG 30	<input type="checkbox"/>	Pneumatic tyre, 1 3/8"	•		Inclusive
MG 35	<input type="checkbox"/>	PU, 1 3/8"	•	•	Inclusive
Handrims			24"	26"	
MG 50	<input type="checkbox"/>	Aluminium, black coated, high	•	•	Inclusive
MG 52	<input type="checkbox"/>	Aluminium, silver anodised, high	•		Inclusive
MG 53	<input type="checkbox"/>	Aluminium, silver anodised, low	•		Inclusive
MG 54	<input type="checkbox"/>	Rubber-coated, high	•		£179.00
MG 56	<input type="checkbox"/>	Stainless steel, polished, high	•		£58.00
MG 57	<input type="checkbox"/>	Stainless steel, polished, low	•		£58.00
MG 63	<input type="checkbox"/>	CURVE L (anodised)	•		£515.00

Information



MA 01 Standard front frame



MF 80 Caster fork, long



MD 10 Back support with different angle setting options



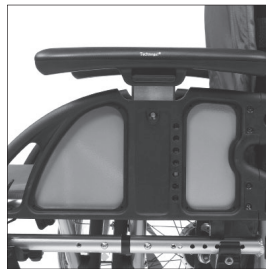
MA 02 Offset front frame



MG 02 24" hollow rim



MD 58 Stabiliser bar



ME 06 Side panel with arm support



MB 10 Individual leg supports



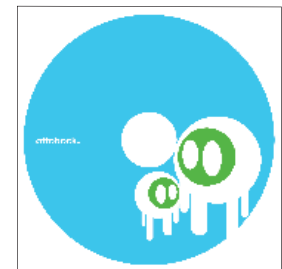
MG 100 Graphic



MG 101 Miracle



MG 102 Network



MG 103 Robots



MG 104 Spectrum

MG 64	<input type="checkbox"/>	CURVE L Grip, for users with limited gripping function	•		£618.00
MG 65	<input type="checkbox"/>	GEKKO, ergonomic handrim	•		£558.00
MG 69	<input type="checkbox"/>	Without			Inclusive

Handrim mounting					
MG 70	<input type="checkbox"/>	Narrow mounting position (15 mm)			Inclusive
MG 71	<input type="checkbox"/>	Wide mounting position (25 mm)			Inclusive

Drive wheel accessories					
MG 84	<input type="checkbox"/>	Silicone handrim cover 24"			£155.00
MG 87	<input type="checkbox"/>	High-pressure air pump, 14 bar			£153.00
MG 88	<input type="checkbox"/>	Airman pump, battery-operated			£301.00

Wheel locks					
MH 01	<input type="checkbox"/>	Knee lever wheel lock, standard			Inclusive
MH 02	<input type="checkbox"/>	Knee lever wheel lock, standard, short			£34.00
MH 06	<input type="checkbox"/>	Knee lever wheel lock for user and attendant			£391.00
MH 08	<input type="checkbox"/>	Knee lever wheel lock for one-handed operation, operating side right*			£416.00
MH 09	<input type="checkbox"/>	Knee lever wheel lock for one-handed operation, operating side left*			£416.00

*Including wheel lock lever extension on the operating side

Wheel lock accessories					
MH 10	<input type="checkbox"/>	Plug-on wheel lock lever extension			£94.00

Back support height in cm (see information on page 2)																					
<input type="checkbox"/>	25	<input type="checkbox"/>	27.5	<input type="checkbox"/>	30	<input type="checkbox"/>	32.5	<input type="checkbox"/>	35	<input type="checkbox"/>	37.5	<input type="checkbox"/>	40	<input type="checkbox"/>	42.5	<input type="checkbox"/>	45	<input type="checkbox"/>	47.5	<input type="checkbox"/>	50

Back support system		Adjustment range in cm																						
MD 01	<input type="checkbox"/>	Back support, straight*	<input type="checkbox"/>	25 – 35	<input type="checkbox"/>	30 – 40	<input type="checkbox"/>	35 – 45	<input type="checkbox"/>	40 – 50													Inclusive	
MD 10	<input type="checkbox"/>	Back support with different angle setting options (setting options -9° till +15° in steps of 6°)	<input type="checkbox"/>	30 – 35	<input type="checkbox"/>	35 – 40	<input type="checkbox"/>	40 – 45	<input type="checkbox"/>	47.5 – 50														£246.00

* Different height setting options, adaptable

Back support upholstery					
MD 04	<input type="checkbox"/>	Standard (only defined, fixed back support heights possible)			Inclusive
MD 05	<input type="checkbox"/>	Adaptable			Inclusive
MD 06	<input type="checkbox"/>	Without			Inclusive

Back support upholstery with zippered pocket					
MD 70	<input type="checkbox"/>	Yes			£39.00
MD 71	<input type="checkbox"/>	No			Inclusive

Back support upholstery with spacer fabric					
MD 72	<input type="checkbox"/>	Yes			£74.00
MD 73	<input type="checkbox"/>	No			Inclusive

Push handles					
MD 50	<input type="checkbox"/>	Short			Inclusive
MD 51	<input type="checkbox"/>	Long			Inclusive
MD 52	<input type="checkbox"/>	Telescoping, long (not possible for MD 10)			£145.00
MD 53	<input type="checkbox"/>	Telescoping, short (not possible for MD 10)			£166.00
MD 55	<input type="checkbox"/>	Height-adjustable/removable			£145.00

Back support accessories		
MD 21	<input type="checkbox"/>	Padding for push handles (not for MD 55) £75.00
MD 58	<input type="checkbox"/>	Stabiliser bar for MD 51, MD 52 or MD 55 £119.00

Side panels		
ME 01	<input type="checkbox"/>	Adjustable, with protection against the cold ¹⁾ Inclusive
ME 02	<input type="checkbox"/>	Clothing guard, adjustable, with protection against the cold ¹⁾ £75.00
ME 05	<input type="checkbox"/>	Side panel with arm support, short, height-adjustable, removable ²⁾ £315.00
ME 06	<input type="checkbox"/>	Side panel with arm support, long, height-adjustable, removable ²⁾ £315.00
ME 07	<input type="checkbox"/>	Side panel with asymmetrical arm support, height-adjustable, removable £427.00

¹⁾ Aluminium side panels

²⁾ Restricts the lowest height setting of the push handles when combined with height-adjustable, removable push handles (MD 55).

Seat upholstery		
MC 13	<input type="checkbox"/>	Upholstery, standard Inclusive
MC 15	<input type="checkbox"/>	Seat upholstery with storage compartments £99.00
MC 06	<input type="checkbox"/>	Without Inclusive

Seat cushion		
MC 01	<input type="checkbox"/>	Standard seat cushion (seat cushion thickness 5 cm) £98.00
MC 05	<input type="checkbox"/>	Evolight seat cushion (seat cushion thickness 6 cm, up to 125 kg/ 275 lbs) £201.00
MC 20	<input type="checkbox"/>	Terra seat cushion (seat cushion thickness 10 cm, up to 150 kg/330 lbs) £188.00
MC 21	<input type="checkbox"/>	Terra Aquos seat cushion (seat cushion thickness 10 cm, up to 150 kg/330lbs) £226.00
MC 22	<input type="checkbox"/>	Terra Flair seat cushion (seat cushion thickness 10 cm, up to 150 kg/330 lbs) £566.00
MC 23	<input type="checkbox"/>	Cloud seat cushion (seat cushion thickness 10 cm) £553.00
MC 29	<input type="checkbox"/>	Livo (seat cushion thickness 5 cm) £82.00
MC 30	<input type="checkbox"/>	Evoflair (seat cushion thickness 8 cm) £293.00

Lower leg length in cm (without seat cushion) (see information on page 2)

Lower leg length (LL) in cm (available adjustment range 32 – 49 cm)

Leg support bar options		
MB 40	<input type="checkbox"/>	Short (LL 31 – 40 cm) Inclusive
MB 41	<input type="checkbox"/>	Medium (LL 36 – 45 cm) Inclusive
MB 42	<input type="checkbox"/>	Long (LL 41 – 50 cm) Inclusive
MB 43	<input type="checkbox"/>	Extra long (LL 46 – 55 cm) Inclusive

Leg supports		
MB 01	<input type="checkbox"/>	Single-panel leg support, angle-adjustable, foot plate 12.5 cm deep £102.00
MB 03	<input type="checkbox"/>	Single-panel leg support, angle-adjustable, foot plate 16 cm deep Inclusive
MB 10	<input type="checkbox"/>	Individual leg supports, angle-adjustable, foot plates 16 cm deep £192.00
MB 80	<input type="checkbox"/>	Without Inclusive

Leg support accessories		
MB 70	<input type="checkbox"/>	Locking device for single-panel leg support (prevents inadvertent flipping-up) £93.00
MB 72	<input type="checkbox"/>	Heel strap for individual leg supports £37.00
MB 73	<input type="checkbox"/>	Adjustable lateral heel blocks £66.00

Other accessories			
MZ 51	<input type="checkbox"/>	Lap belt with metal buckle (extra long)	£94.00
MZ 52	<input type="checkbox"/>	Tool kit	£93.00
Please also use the order form for wheelchair accessories 647F661.			

Head support			
MZ 61	<input type="checkbox"/>	Installation kit for head support, horizontal	£186.00
MZ 62	<input type="checkbox"/>	Installation kit for head support, horizontal and vertical	£319.00
MZ 63	<input type="checkbox"/>	Head support complete incl. installation kit for head support, horizontal and vertical	£365.00

Spoke protector			
MG 90	<input type="checkbox"/>	Spoke protector, transparent	£130.00
MG 100	<input type="checkbox"/>	Spoke protector, Graphic decor	£204.00
MG 101	<input type="checkbox"/>	Spoke protector, Miracle decor	£204.00
MG 102	<input type="checkbox"/>	Spoke protector, Network decor	£204.00
MG 103	<input type="checkbox"/>	Spoke protector, Robots decor	£204.00
MG 104	<input type="checkbox"/>	Spoke protector, Spectrum decor	£204.00

Frame colours			
001	<input type="checkbox"/>	Brilliant silver	Inclusive
002	<input type="checkbox"/>	Anthracite metallic	Inclusive
003	<input type="checkbox"/>	Jet black RAL 9005	Inclusive
004	<input type="checkbox"/>	Ice blue	Inclusive
005	<input type="checkbox"/>	Sparkle light orange	Inclusive
009	<input type="checkbox"/>	Vinho sparkle	Inclusive
010	<input type="checkbox"/>	Marine blue	Inclusive
012	<input type="checkbox"/>	Sky blue	Inclusive
013	<input type="checkbox"/>	Jet black RAL 9005 matte	Inclusive
014	<input type="checkbox"/>	Candy red	Inclusive
021	<input type="checkbox"/>	Sparkle granny-smith	Inclusive
023	<input type="checkbox"/>	White RAL 9016	Inclusive
027	<input type="checkbox"/>	Shimano matte	Inclusive
032	<input type="checkbox"/>	Pure metal blue	£410.00
033	<input type="checkbox"/>	Pure metal green	£410.00
034	<input type="checkbox"/>	Pure metal bronze	£410.00
035	<input type="checkbox"/>	Pure metal red	£410.00

Upholstery colours			
901	<input type="checkbox"/>	Black	Inclusive
902	<input type="checkbox"/>	Blue	Inclusive

Special accessories			
MZ 58	<input type="checkbox"/>	Bag for drive wheels	£162.00
MZ 59	<input type="checkbox"/>	Pocket for mobile phone	£68.00
MZ 89	<input type="checkbox"/>	Protection for quick-release-axle	£10.00
MZ 93	<input type="checkbox"/>	Backpack	£110.00