

2025

ottobock.

Adaptive wheelchair *Motus Hemi.*

Quotation

Order

Billing Address

PO No.

Cust Name

Street

PC, County

Shipping address (if different from billing address)

Cust Name

Street

PC, County

Name _____ Date _____ Signature _____



Base Price - £1413.00

Please email all orders to
Ottobockmobility@ottobock.com

Valid from 01.01.2025 to 31.12.25
Please ensure you are using the latest order form

Standard equipment selection (unless alternative selected)

Article number: 480F61=2_AA04_C

- Aluminium tube frame with cross brace
- Swing-away or integrated leg support holders
- Individual foot plate, angle-adjustable or single-panel foot plate, angle-adjustable
- Back support tubes with different height setting options
- Back support upholstery, adaptable
- Clothing guard side panels
- Drive wheels with hollow rims and quick-release axles, 1" tyres
- Knee lever wheel lock 4.0

Max. user weight: 125 kg/275 lb or 140 kg/309 lb

Crash-tested according to DIN ISO 7176-19

By placing the order, you agree to comply with the instructions for use/service manuals for accessories and products of other manufacturers when combining them with an Ottobock product, in addition to the instructions for use/service manuals of the respective Ottobock products. Also you confirm to have read, understood and accepted, our general terms and conditions. In addition, you agree, upon placing an order, to conduct your own conformity assessment or approval in accordance with national requirements if and when you implement modifications or attachments that do not meet the specifications of Ottobock instructions for use/service manuals.
Wheelchairs with CLT package cannot be returned or exchanged

The number codes contained in this order form are not intended to be used as article numbers for spare parts orders.
Please scan the QR code to access the spare parts catalogue for any spare parts orders.



Adaptive wheelchair *Motus Hemi*.

HEMI

Depending on its kind and treatment, a stroke may lead to different temporary or permanent restrictions.

Beside cognitive & memory disorders, one of the most common consequences is partial or complete paralysis on one side of the body, the so-called hemiparesis (partial functional disorders) or hemiplegia (complete functional failures). These Paralysis may occur either partially (e.g. face only) as well as complete (entire half of the body).

As well varies the strength of the paralysis respectively the residual force remaining. That means, it may lead to partial paralysis with remaining possibilities of movement up to a complete immobility.

The individual care of a patient with hemiplegia must therefore always consider the residual skills remaining as well as needs for support. Remaining skills like e.g. mobility of a leg should be used, paralyzed body parts needs to be supported.

Depending on the type and severity of the restriction, different levels of support or supportive options are necessary. The table below will give you an overview of the possible options for each Restriction.

Option	Indication	Usage
Modell CV	Semi side leg paralysis	Individual leg supports for individual usage and adjustability to foot-propelled users (who use a leg to assist their propelling)
foot-propelled chair (MB50)	Semi side leg paralysis	Reduced ground clearance in delivery condition for foot-propelled users from 38 cm lower leg length on
Foot space enlargement (MA63)	Additional space between frame and casters needed	Additional space for the legs, e.g. for foot propelling
one arm drive (MG83)	Semi side arm paralysis	Transmission of the power from the driven wheel to the other side allows locomotion with one hand while propelling straight ahead as well as turning
Knee lever wheel lock for one-hand activated (MH08/MH09)	Semi side arm paralysis	Enables the simultaneous actuation of both wheel locks by operating them on one side
Elevating swivel unit/forearm support (ME61/ME62) with one-piece forearm pads (ME70/ME71)	Paralysis in the arm	For individual positioning and stabilising of paralysed arms
Knee lever wheel lock extension (MH10)	Restricted strength in the arm	Longer (removable extension of) lever reduces the effort, especially when operated from one side
Ruber coated handrim (MG54) or ergonomic handrim GEKKO (MG65)	Restricted strength in the arm	The rubber coating gives better grip and thereof reduces the effort

Adaptive wheelchair *Motus Hemi.*

Front frame type

- CS (leg supports with integrated leg support holders, single-panel foot plate, flip up) Inclusive
- CV (leg supports with individual foot plate, swing-away, removable, flip up) Inclusive

Wheelchair type

- Standard Inclusive
- MB50 **Foot-propelled wheelchair** (Reduced ground clearance in delivery condition for hemiplegia model)* Inclusive

* Risk due to getting caught on obstacles. Please observe safety information in the instructions for use!

Foot space enlargement "HEMI"

- MA63 Yes £85.00
- No Inclusive

Max. load capacity

- up to 125 kg / 276 lb Inclusive
- up to 140 kg / 309 lb Inclusive

Seat width (SW) in cm

- 35,5 ¹⁾ 38 ¹⁾ 40,5 ¹⁾ 43 ¹⁾ 45,5 ¹⁾ 48 ¹⁾ 50,5 53 55,5

¹⁾: with 1.5-fold crossbrace and max. upload capacity 125kg/275lb

Seat depth (SD) in cm

- 36 38 40 42 44 46 48 50 52 54

Anterior seat height in cm (see table)

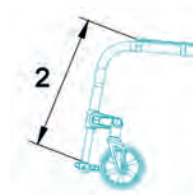
- 38 ¹⁾ 39 ¹⁾ 40 ¹⁾²⁾ 41 ²⁾ 42 ²⁾ 43 ²⁾ 44 ²⁾ 45 ²⁾ 46 ²⁾
- 47 ²⁾ 48 ²⁾ 49 ²⁾ 50 ²⁾ 51 ²⁾ 52 ²⁾ 53 ²⁾ 54 ²⁾ 55 ²⁾

¹⁾: 22" drive wheel

²⁾: 24" drive wheel

Lower leg length in cm (without seat cushion)

Lower leg length: (LL) in cm (available adjustment range 34 cm – 55 cm)



Posterior seat height in cm

- 36 ¹⁾ 37 ¹⁾ 38 ¹⁾ 39 ¹⁾ 40 ²⁾ 41 ²⁾ 42 ²⁾ 43 ²⁾ 44 ²⁾
- 45 ²⁾ 46 ²⁾ 47 ²⁾ 48 ²⁾ 49 ²⁾ 50 ²⁾ 51 ²⁾ 52 ²⁾

¹⁾: 22" drive wheel

²⁾: 24" drive wheel

Back support height in cm

- 30 32,5 35 37,5 40 42,5 43 45 47,5 48 50

Adaptive wheelchair *Motus Hemi*.

Frame accessories

<input type="radio"/> MA51	Tip-assist, right	£47.00
<input type="radio"/> MA52	Tip-assist, left	£47.00
<input type="radio"/> MA55	Anti-tipper, right	£96.00
<input type="radio"/> MA56	Anti-tipper, left	£96.00
<input type="radio"/> MA57	Crutch holder with tip-assist, right	£93.00
<input type="radio"/> MA58	Crutch holder with tip-assist, left	£93.00

Caster wheels

<input type="radio"/> MF30	4" solid rubber, black	Inclusive
<input type="radio"/> MF31	5" solid rubber, black	Inclusive
<input type="radio"/> MF04	5.5" soft caster, grey	Inclusive
<input type="radio"/> MF32	6" solid rubber, black	Inclusive
<input type="radio"/> MF08	7" solid rubber	Inclusive

Drive wheel camber

0° 2° 3° 4°

Horizontal drive wheel position

A B C D

Drive wheel rim

<input type="radio"/> MG06	Hollow rims	Inclusive
<input type="radio"/> MG15	Infinity Ultralight (not possible in combination with MG 34)	£138.00
<input type="radio"/> MG80	With drum brake / attendant*	£387.00
<input type="radio"/> MG83	One-arm drive wheel with double handrim left*	£617.00
<input type="radio"/> MG83	One-arm drive wheel with double handrim right*	£617.00

*: not possible in combination with drive wheel camber

Tyres

<input type="radio"/> MG30	Pneumatic tyre 1 3/8"	Inclusive
<input type="radio"/> MG31	Schwalbe RightRun 1"	Inclusive
<input type="radio"/> MG34	PU 1" (not possible in combination with MG 15/MG 150)	Inclusive
<input type="radio"/> MG341	PU 1" black (not possible in combination with MG 15/MG 150)	£64.00
<input type="radio"/> MG37	Schwalbe Marathon Plus Evolution 1"	£73.00
<input type="radio"/> MG371	Schwalbe Marathon Plus Evolution 1.1"	£134.00
<input type="radio"/> MG200	Schwalbe ONE 1"	£184.00

Handrims

<input type="radio"/> MG52	Aluminium, silver anodised, high	Inclusive
<input type="radio"/> MG53	Aluminium, silver anodised, low	£71.00
<input type="radio"/> MG54	rubber-coated	£106.00
<input type="radio"/> MG56	Stainless steel, polished, high	£55.00
<input type="radio"/> MG65	GEKKO, ergonomic handrim	£576.00

Wheelbase extension including wheel lock adapter

<input type="radio"/> MG82	Extra long with second fitting	£351.00
----------------------------	--------------------------------	---------

Drive wheel accessories

<input type="checkbox"/> MG87	High-pressure air pump, 14 bar	£130.00
<input type="checkbox"/> MG88	Airman-pump, battery-operated	£250.00

Adaptive wheelchair *Motus Hemi*.

Wheel locks

<input type="radio"/> MH01	Push-to-lock knee lever wheel lock	Inclusive
<input type="radio"/> MH11	Knee lever wheel lock pull to lock	£27.00
<input type="radio"/> MH05	Scissor wheel lock	£199.00
<input type="radio"/> MH06	Knee lever wheel lock for user and attendant	£400.00
<input type="radio"/> MH08	Knee lever wheel lock for one-hand activated, right	£142.00
<input type="radio"/> MH09	Knee lever wheel lock for one-hand activated, left	£142.00

Wheel lock accessories

<input type="radio"/> MH10	Wheel lock lever extension	£38.00
----------------------------	----------------------------	--------

Back support system

<input type="radio"/> MD01	Back support, straight	Inclusive
<input type="radio"/> MD09	Back support with lumbar curve 8°	Inclusive
<input type="radio"/> MD10	Back support, angle-adjustable 30° (back support height 43 or 48 cm, max. upload capacity 125 kg/275 lb)	£363.00
<input type="radio"/> MD11	foldable	£192.00

Back support upholstery

<input type="radio"/> MD03	Adaptable, padded	Inclusive
<input type="radio"/> MD04	Standard (only for back support, angle-adjustable 30°)	Inclusive
<input type="radio"/> MD05	Adaptable, breathable	£105.00
<input type="radio"/> MD06	Without	Inclusive

Back support pad widening

<input type="radio"/> MD80	+ 2 cm	£16.00
<input type="radio"/> MD81	+ 4 cm	£16.00
<input type="radio"/> MD82	Without	Inclusive

Use of BAXX back support system (include order form, model-specific restrictions are possible)

<input type="radio"/> MD44	Baxx Aluminium back support (enclosed)	£694.00
----------------------------	--	---------

Push handles

<input type="radio"/> MD50	Short	Inclusive
<input type="radio"/> MD51	Long	Inclusive
<input type="radio"/> MD53	Telescoping, short	£96.00
<input type="radio"/> MD52	Telescoping, long	£96.00
<input type="radio"/> MD55	Height-adjustable/removable	£145.00
<input type="radio"/> MD45	height-adjustable/removable for Baxx	£152.00
<input type="radio"/> MD56	Fold-down (max. load capacity 125 kg/275 lbs)	£90.00

Back support system range of adjustment

<input type="radio"/>	30 - 32,5 (back support straight with push handles height-adjustable/telescoping)	Inclusive
<input type="radio"/>	30 - 37,5 (back support straight with push handles short/long/folding)	Inclusive
<input type="radio"/>	32,5 - 40 (back support straight with push handles height-adjustable/telescoping)	Inclusive
<input type="radio"/>	35 - 40 (back support 8° with push handles height-adjustable/telescoping)	Inclusive
<input type="radio"/>	37,5 - 45 (back support straight with push handles short/long/folding)	Inclusive
<input type="radio"/>	40 - 45 (back support straight with push handles short/long/folding)	Inclusive
<input type="radio"/>	42,5 - 50 (back support straight with push handles height-adjustable/telescoping)	Inclusive
<input type="radio"/>	45 - 50 (back support 8°)	Inclusive
<input type="radio"/>	47,5 - 50 (back support straight with push handles short/long/folding or back support foldable with push handles long)	Inclusive

Adaptive wheelchair *Motus Hemi.*

Back support accessories

<input type="radio"/> MD58	Stabiliser bar	£115.00
----------------------------	----------------	---------

Side panels

<input type="radio"/> ME01	With protection against the cold	Inclusive
<input type="radio"/> ME02	With splash guard and protection against the cold	Inclusive
<input type="radio"/> ME04	Carbon, with splash guard	£457.00
<input type="radio"/> ME05	Desk side panel with arm support, short	£284.00
<input type="radio"/> ME06	Desk side panel with arm support, long	£291.00
<input type="radio"/> ME11	Plug-on side panel, plastic	Inclusive
<input type="radio"/> ME17	Side panel with arm support long, depth-adjustable	£329

Side panel accessories

<input type="radio"/> ME50	Arm support padded, swing away (not possible in combin. with desk side panel)	£281.00
	<input type="radio"/> short <input type="radio"/> long <input type="radio"/> long, extra high	
<input type="radio"/> ME60	Tray	£220.00
<input type="radio"/> ME61	Elevating swivel unit/forearm support, right	£243.00
<input type="radio"/> ME62	Elevating swivel unit/forearm support, left	£243.00

Forearm pads

<input type="radio"/> ME70	One-piece forearm pad, left	£68.00
<input type="radio"/> ME71	One-piece forearm pad, right	£68.00

Seat upholstery

<input type="radio"/> MC13	Standard	Inclusive
<input type="radio"/> MC14	readjustable	£102.00
<input type="radio"/> MC06	Without	Inclusive

Seat cushions

<input type="radio"/> MC01	Standard (cushion thickness 5 cm)	£41.00
<input type="radio"/> MC02	Cubic Foam (cushion thickness 5 cm)	£146.00
<input type="radio"/> MC05	EvoLight (cushion thickness 6 cm)	£208.00
<input type="radio"/> MC29	Livo (cushion thickness 5 cm)	£87.00
<input type="radio"/> MC30	EvoFlair (cushion thickness 5 cm)	£313.00

Leg support

<input type="radio"/> MB03	Single panel, angle-adjustable	Inclusive
<input type="radio"/> MB09	Individual, angle-adjustable, flip up, Aluminium	£115.00
<input type="radio"/> MB10	Individual, angle-adjustable, flip up, Plastic	Inclusive
<input type="radio"/> MB21	Amputation leg support, right (plus MB10 left)	£216.00
<input type="radio"/> MB22	Amputation leg support, left (plus MB10 right)	£216.00
<input type="radio"/> MB23	Amputation leg support, pair	£429.00
<input type="radio"/> MB26	Elevating leg support, right (plus MB10 left)	£146.00
<input type="radio"/> MB27	Elevating leg support, left (plus MB10 right)	£146.00
<input type="radio"/> MB25	Elevating leg support, pair	£294.00
<input type="radio"/> MB99	without	Inclusive

Adaptive wheelchair *Motus Hemi.*

Version foot support bar

<input type="radio"/> MB200	Standard	Inclusive
<input type="radio"/> MB201	swing away, left side	£79.00
<input type="radio"/> MB202	swing away, right side	£79.00

Choice of foot support bar (without seat cushion)

<input type="radio"/> MB40	Short (max. 34 - 41 cm)	Inclusive
<input type="radio"/> MB41	Medium (max. 41 - 51 cm)	Inclusive
<input type="radio"/> MB42	Long (max. 47 - 55 cm)	Inclusive

Other accessories

<input type="checkbox"/> MZ51	Lap belt with metal buckle	£74.00
<input type="checkbox"/> MZ52	Tool kit	£55.00

Spoke protector

<input type="radio"/> MG90	Transparent	£131.00
----------------------------	-------------	---------

Frame colours

<input type="radio"/> 002	Anthrazit metallic	Inclusive
<input type="radio"/> 010	Marine blue *	£105.00
<input type="radio"/> 012	Sky blue	£105.00
<input type="radio"/> 014	Candy red	£105.00
<input type="radio"/> 014	Silber metallic	£105.00
<input type="radio"/> 021	Sparkle granny-smith	£105.00
<input type="radio"/> 023	Wei RAL 9016	£105.00
<input type="radio"/> 048	Jet black matte (structure)	£105.00

*: leg support holder in Jet black matte (structure); for all other colours in frame colour

Side panes in frame colour *

<input type="radio"/> ME20	Yes **	£53.00
----------------------------	--------	--------

*: Standard colour 048 jet black matte (texture) without additional charge

** : not possible in combination with side panels ME04 & ME11

Special accessories

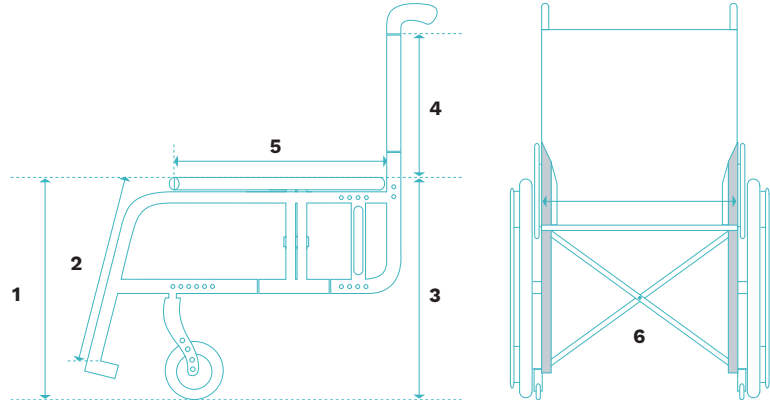
<input type="checkbox"/> MZ58	Bag for drive wheels (for 2 drive wheels up to 28")	£112.00
<input type="checkbox"/> MZ59	Pocket for mobile phone	£28.00
<input type="checkbox"/> MZ89	Protection for quick-release-axle	£10.00
<input type="checkbox"/> MZ92	Wheelblades (Mini-skis for caster wheels)	£462.00
<input type="checkbox"/> MZ93	Backpack	£64.00

Adaptive wheelchair *Motus Hemi*.

Information

Wheelchair measurements

- 1 Anterior seat height (ASH) = ground to top of seat upholstery
- 2 Lower leg length (LL) = top of seat upholstery to top of foot plate (without seat cushion)
- 3 Posterior seat height (PSH)= ground to top of seat upholstery
- 4 Back support height (BH)= top of seat tube (cross-brace) to top of back support upholstery
- 5 Seat depth (SD) = front of seat upholstery to back support tube
- 6 Seat width (SW) = outside edge of frame tube to outside edge of frame tube



Anterior seat height [cm]					
Caster fork	Wheel diameter				
	4"	5"	5,5"	6"	7"
short	38 - 46	40 - 46	42 - 47	42 - 47	44 - 49
long	46 - 53	47 - 54	44 - 55	44 - 55	45 - 55

The values indicated are rounded values which have been theoretically determined. Max. deviation of 1 cm.

The anterior seat height depends on the selected wheel size, caster fork and mounting position. Please refer to the seat height table! Specified without seat cushion at 0° seat inclination.

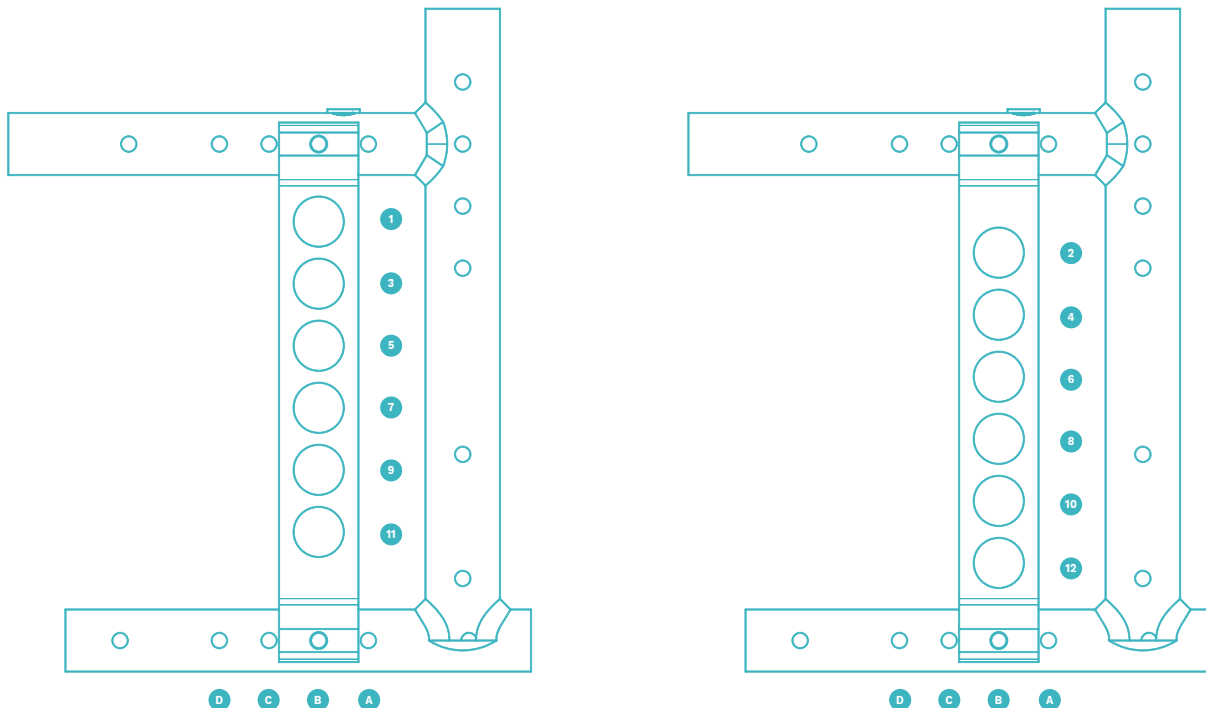
Horizontal position of the drive wheel attachment device: see sketch.

The posterior seat height (PSH) depends on the selected wheel size and mounting position in the drive wheel attachment device.

Please refer to the seat height table!

A manufacturing tolerance of 10 mm applies to all measurements and of 10% to specified weights.

Positions drive wheel adapter



Adaptive wheelchair *Motus Hemi*.

Information



Drive wheel adapter



MG83 Einhandantrieb mit Doppelgreifring, rechts



MA51 Tip-assist



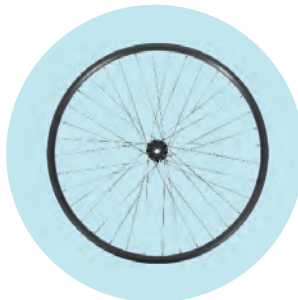
MA55 Anti-tipper



MA57 Crutch



MF30/31/32 solid rubber 4", 5", 6", black



MG06 Hollow rim



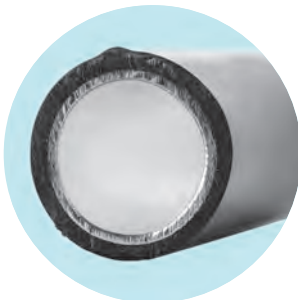
MG15 Infinity Ultralight



MG31 Right Run 1"



MG371 Marathon Plus Evolution 1.1"



MG54 rubber-coated



MG65 Gekko



MH05 Outfront-scissor wheel lock



MH01 Knee lever wheel lock



MH08 Knee lever wheel lock for one-hand activated



MH10 Wheel lock extension

Adaptive wheelchair *Motus Hemi.*

Information



MD10 Back support, angle-adjustable



MD11 Foldable back support



MD04 Back support upholstery Standard



MD05 Back support upholstery, breathable



MD03 Back support upholstery, padded



MD58 Stabiliser bar



MD55 Push handles height-adjustable, removable



MD56 Push handles foldable



ME11 Plug-on side panel plastic



ME02 Side panel with clothing guard and against cold



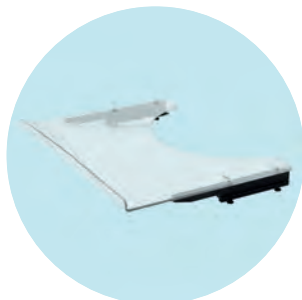
ME04 Carbon side panel



ME17 Side panel with arm support long, height-adjustable



ME50 Side panel, padded



ME60 Therapy tray



ME61 Elevating swivel unit for forearm support



ME70 Forearm support, left

Adaptive wheelchair *Motus Hemi.*

Information



MB03 Single-panel foot plate, angle-adjustable



MB10 Leg support, individual, angle-adjustable, flip up



MB22 Amputation leg support, left



MB25 Leg supports, elevating



MB201 Swing away foot support bar



MZ59 MZ59 Poket for mobile phone



MZ58 Bag for drive wheels



MZ89 Protection for quick-release-axle



MZ92 Wheel Blades



MZ93 Backpack

Adaptive wheelchair *Motus Hemi.*

Seat cushion Livo					
Seat depth [cm]	Seat width [cm]				
	38	40,5	43	45,5	48
38		○			
40	○		○		
42		○	○	○	○
44			○	○	○
46			○	○	○
48			○	○	
50				○	
52			○	○	

Seat cushion Evoflair					
Seat depth [cm]	Seat width [cm]				
	38	40,5	43	45,5	48
40	○	○	○		
42		○	○	○	○
44			○	○	○
46			○	○	○
48					
50					
52			○	○	



MC29 Livo



MC30 Evoflair