

<p>Base Price - £3084.00</p> <p>Valid from 01.01.24 to 31.12.24 Please ensure you are using the latest order form</p>	<p>Order no.:</p> <p>-----</p>
--	--------------------------------

Zenit

Active wheelchair

Article number: 480F160=1_AA02_C



<input type="checkbox"/> Provide estimate only	<input type="checkbox"/> Order
<input type="checkbox"/> Attachment for customer fabrication enclosed	
Billing address/customer number	
Delivery address	
Sales person	Name

	Date Signature
<p>By placing the order, you agree to comply with the instructions for use/service manuals for accessories and products of other manufacturers when combining them with an Ottobock product, in addition to the instructions for use/service manuals of the respective Ottobock products. Also you confirm to have read, understood and accepted, our general terms and conditions. In addition, you agree, upon placing an order, to conduct your own conformity assessment or approval in accordance with national requirements if and when you implement modifications or attachments that do not meet the specifications of Ottobock instructions for use/service manuals.</p>	

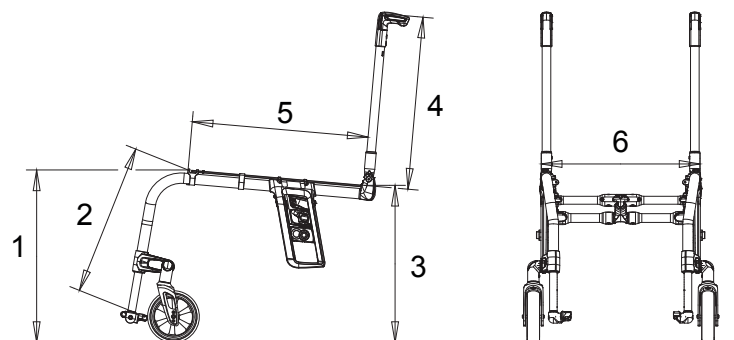
Standard equipment

- Open aluminium tube frame, foldable
- Choice of front frame offset
- Foldable leg support
- Back support upholstery adjustable
- Aluminium side panels
- Modular design
- Drive wheels with quick release axles
- Knee lever wheel lock 4.0
- Calf strap

Folding, max. user weight 120 kg
Crash-tested according to DIN ISO 7176-19

Wheelchair measurements*

- 1 Anterior seat height (ASH)
= ground to top of seat upholstery
- 2 Lower leg length (LL)
= top of seat upholstery to top of foot plate
(without seat cushion)
- 3 Posterior seat height (PSH)
= ground to top of seat upholstery
- 4 Back support height (BH)
= top of seat tube (crossbrace) to top of back support upholstery
- 5 Seat depth (SD)
= front of seat upholstery to back support tube
- 6 Seat width (SW)
= outside edge of frame tube to outside edge of frame tube



A manufacturing tolerance of 10 mm applies to all measurements and of 10% to specified weights.

The number codes contained in this order form are not intended to be used as article numbers for spare parts orders.
Please use the spare parts catalogue for spare parts orders.

Equipment			
MA 110	<input checked="" type="checkbox"/>	Standard	£3084.00
Frame tube material			
MA 08	<input type="checkbox"/>	Aluminium	Inclusive
MA 12	<input type="checkbox"/>	Carbon (only with 85° and 2 cm offset/abduction) (max. load capacity 100 kg)	£505.00
Spring support folding mechanism			
MA 120	<input checked="" type="checkbox"/>	Standard	Inclusive
Front frame angle			
MA 20	<input type="checkbox"/>	75°	Inclusive
MA 21	<input type="checkbox"/>	85°	Inclusive
Front frame offset			
MA 14	<input type="checkbox"/>	0 cm offset	Inclusive
MA 15	<input type="checkbox"/>	2 cm offset	Inclusive
MA 30	<input type="checkbox"/>	2 cm abduction (possible up to SW 42 cm)	Inclusive
Front frame extension			
MA 23	<input type="checkbox"/>	3 cm	£100.00
Seat width SW in cm			
<input type="checkbox"/> 32 <input type="checkbox"/> 34 <input type="checkbox"/> 36 <input type="checkbox"/> 38 <input type="checkbox"/> 40 <input type="checkbox"/> 42 <input type="checkbox"/> 44 <input type="checkbox"/> 46			
Seat depth SD in cm			
<input type="checkbox"/> 36 <input type="checkbox"/> 38 <input type="checkbox"/> 40 <input type="checkbox"/> 42 <input type="checkbox"/> 44 <input type="checkbox"/> 46 <input type="checkbox"/> 48 <input type="checkbox"/> 50			
Anterior seat height in cm			
<input type="checkbox"/> 38 <input type="checkbox"/> 39 <input type="checkbox"/> 40 <input type="checkbox"/> 41 <input type="checkbox"/> 42 <input type="checkbox"/> 43 <input type="checkbox"/> 44 <input type="checkbox"/> 45 <input type="checkbox"/> 46 <input type="checkbox"/> 47 <input type="checkbox"/> 48 <input type="checkbox"/> 49 <input type="checkbox"/> 50 <input type="checkbox"/> 51 <input type="checkbox"/> 52 <input type="checkbox"/> 53 <input type="checkbox"/> 54			
Frame accessories			
MA 51	<input type="checkbox"/>	Tip-assist, right	+ 270 g £116.00
MA 52	<input type="checkbox"/>	Tip-assist, left	+ 270 g £116.00
MA 55	<input type="checkbox"/>	Anti-tipper, right	+ 517 g £204.00
MA 56	<input type="checkbox"/>	Anti-tipper, left	+ 517 g £204.00
MA 60	<input type="checkbox"/>	Frame pad	+ 42 g £75.00
Caster wheels			
MF 30	<input type="checkbox"/>	4" solid rubber, black	Inclusive
MF 35	<input type="checkbox"/>	4" soft caster, aluminium	£152.00
MF 31	<input type="checkbox"/>	5" solid rubber, black	Inclusive
MF 36	<input type="checkbox"/>	5" soft caster, aluminium	£152.00
MF 04	<input type="checkbox"/>	5.5" soft caster, grey	Inclusive
MF 05	<input type="checkbox"/>	6" pneumatic tyre	Inclusive
MF 32	<input type="checkbox"/>	6" solid rubber, black	Inclusive
MF 37	<input type="checkbox"/>	6" soft caster, aluminium	£152.00
Caster wheel axle			
MF 90	<input checked="" type="checkbox"/>	Caster wheel forks with threaded axles	Inclusive

Posterior seat height in cm							
<input type="checkbox"/> 37	<input type="checkbox"/> 38	<input type="checkbox"/> 39	<input type="checkbox"/> 40	<input type="checkbox"/> 41	<input type="checkbox"/> 42	<input type="checkbox"/> 43	<input type="checkbox"/> 44
<input type="checkbox"/> 44	<input type="checkbox"/> 45	<input type="checkbox"/> 46	<input type="checkbox"/> 47	<input type="checkbox"/> 48	<input type="checkbox"/> 49	<input type="checkbox"/> 50	

Drive wheel size			
MG 02	<input type="checkbox"/>	24"	Inclusive
MG 00	<input type="checkbox"/>	25"	Inclusive
Drive wheel camber <input type="checkbox"/> 0° <input type="checkbox"/> 2° <input type="checkbox"/> 3° <input type="checkbox"/> 4°			

Drive wheel rim				24"	25"	
MG 06	<input type="checkbox"/>	Hollow rims		•	•	Inclusive
MG 10	<input type="checkbox"/>	Spinergy SPOX	- 360 g	•		£974.00
MG 11	<input type="checkbox"/>	Spinergy LX	- 400 g	•		£1022.00
MG 12	<input type="checkbox"/>	Spinergy LXL Blade, black spokes	- 660 g	•		£893.00
MG 12	<input type="checkbox"/>	Spinergy LXL Blade, Blade, white spokes	- 660 g	•		£893.00
MG 15	<input type="checkbox"/>	Infinity Ultralight (not possible in combination with MG 34)	- 720 g	•	•	£109.00
MG 150	<input type="checkbox"/>	Infinity Ultralight, coloured (not possible in comb. with MG 34)	- 720 g	•		£186.00
Colour set Infinity Ultralight/caster wheel fork				24"	25"	
	<input type="checkbox"/>	Sparkle light orange		•		
	<input type="checkbox"/>	Marine blue		•		
	<input type="checkbox"/>	Candy red		•		
	<input type="checkbox"/>	Sparkle granny-smith		•		

Tyres				24"	25"	
MG 31	<input type="checkbox"/>	Schwalbe RightRun 1"		•	•	Inclusive
MG 34	<input type="checkbox"/>	PU 1" (not possible in combination with MG 15/MG 150)	+ 344 g	•		Inclusive
MG 341	<input type="checkbox"/>	PU 1", black (not possible in combination with MG 15/MG 150)	+ 344 g	•		Inclusive
MG 37	<input type="checkbox"/>	Schwalbe Marathon Plus Evolution 1"	+ 374 g	•	•	£60.00
MG 371	<input type="checkbox"/>	Schwalbe Marathon Plus Evolution 1.1"	+ 379 g	•		£60.00
MG 200	<input type="checkbox"/>	Schwalbe ONE 1"	- 226 g	•		£97.00

Handrims				24"	25"	
MG 50	<input type="checkbox"/>	Aluminium, black coated, high		•	•	Inclusive
MG 52	<input type="checkbox"/>	Aluminium, silver anodised, high	- 40 g	•	•	£14.00
MG 53	<input type="checkbox"/>	Aluminium, silver anodised, low	- 120 g	•		£14.00
MG 54	<input type="checkbox"/>	Rubber-coated	+ 500 g	•	•	£152.00
MG 56	<input type="checkbox"/>	Stainless steel, polished, high	+ 620 g	•	•	£59.00
MG 57	<input type="checkbox"/>	Stainless steel, polished, low	+ 580 g	•		£59.00
MG 63	<input type="checkbox"/>	CURVE L (anodised)	+ 200 g	•	•	£384.00
MG 64	<input type="checkbox"/>	CURVE L Grip for users with limited gripping function	+ 840 g	•	•	£415.00
MG 65	<input type="checkbox"/>	GEKKO, ergonomic handrim	+ 580 g	•	•	£340.00

Handrim mounting			
MG 70	<input type="checkbox"/>	Mounting position narrow (15 mm)	Inclusive
MG 71	<input type="checkbox"/>	Mounting position wide (25 mm)	Inclusive
Tipping point in cm (measured parallel to the ground)			
<input type="checkbox"/> 5	<input type="checkbox"/> 6	<input type="checkbox"/> 7	<input type="checkbox"/> 8
<input type="checkbox"/> 9	<input type="checkbox"/> 10	<input type="checkbox"/> 11	<input type="checkbox"/> 12
<input type="checkbox"/> 13	<input type="checkbox"/> 14		
Alternative measuring method (specification of the horizontal drive wheel position of the Avantgarde)			
<input type="checkbox"/> A	<input type="checkbox"/> B	<input type="checkbox"/> C	<input type="checkbox"/> D
<input type="checkbox"/> E	<input type="checkbox"/> F	<input type="checkbox"/> G	<input type="checkbox"/> H
(Tick the drive wheel position of your Avantgarde, we calculate the tipping point.)			
Quick-release axle system			
MG 27	<input type="checkbox"/>	Quick-release axle	Inclusive
MG 28	<input type="checkbox"/>	Quick-release axle with Tetra release	+ 158 g £188.00
Drive wheel accessories			
MG 87	<input type="checkbox"/>	High-pressure air pump, 14 bar	£114.00
MG 88	<input type="checkbox"/>	Airman pump	£229.00
Wheel locks			
MH 01	<input type="checkbox"/>	Knee lever wheel lock 4.0	Inclusive
MH 30	<input type="checkbox"/>	Knee lever wheel lock 4.0, long lever	Inclusive
MH 05	<input type="checkbox"/>	Scissor wheel lock	- 142 g £141.00
Wheel lock accessories			
MH 10	<input type="checkbox"/>	Wheel lock lever extension, fixed	+ 70 g £38.00
MH 21	<input type="checkbox"/>	Wheel lock lever extension, pluggable	+ 34 g £69.00
Back support height in cm			
<input type="checkbox"/> 25	<input type="checkbox"/> 27.5	<input type="checkbox"/> 30	<input type="checkbox"/> 32.5
<input type="checkbox"/> 35	<input type="checkbox"/> 37.5	<input type="checkbox"/> 40	<input type="checkbox"/> 42.5
<input type="checkbox"/> 45	<input type="checkbox"/> 47.5	<input type="checkbox"/> 50	
Back support system			
MD 01	<input type="checkbox"/>	Back support, straight (measured 90° to seat tube)	Inclusive
MD 11	<input type="checkbox"/>	Angle-adjustable, fold-down onto seat tubes (-10°/-5°/0°/+5°/+10°)	+ 240 g £638.00
MD 13	<input type="checkbox"/>	Back support angle according to customer request (measured 90° to the ground) <input type="checkbox"/> 0° <input type="checkbox"/> -5° <input type="checkbox"/> -10°	£102.00
Back support upholstery			
MD 03	<input type="checkbox"/>	Adaptable, padded	£54.00
MD 05	<input type="checkbox"/>	Adaptable, breathable	Inclusive
MD 18	<input type="checkbox"/>	Ultra light	£52.00
MD 06	<input type="checkbox"/>	Without	Inclusive
Back support pad widening			
MD 80	<input type="checkbox"/>	+ 2 cm	£20.00
MD 81	<input type="checkbox"/>	+ 4 cm	£20.00
MD 82	<input type="checkbox"/>	Without	Inclusive
Use of BAXX back support system (include order form, model-specific restrictions are possible)			
MD 44	<input type="checkbox"/>	BAXX Aluminium back support (not mounted)	£673.00

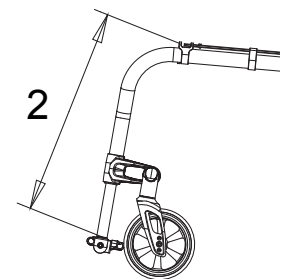
Push handles				
MD 50	<input type="checkbox"/>	Short		Inclusive
MD 51	<input type="checkbox"/>	Long	+ 128 g	Inclusive
MD 55	<input type="checkbox"/>	Height-adjustable/removable	+ 580 g	£162.00
MD 56	<input type="checkbox"/>	Fold-down	+ 108 g	£195.00
MD 59	<input type="checkbox"/>	Without	- 258 g	Inclusive

Side panels				
ME 02	<input type="checkbox"/>	Aluminium, with splash guard and protection against cold		Inclusive
ME 04	<input type="checkbox"/>	Carbon, with splash guard	- 256 g	£615.00
ME 05	<input type="checkbox"/>	With arm support short	+ 2490 g	£323.00
ME 06	<input type="checkbox"/>	With arm support long	+ 2180 g	£323.00

Seat upholstery				
MC 15	<input type="checkbox"/>	Seat upholstery with storage compartment		£41.00
MC 16	<input type="checkbox"/>	Upholstery readjustable		Inclusive
MC 18	<input type="checkbox"/>	Ultra light		£42.00
MC 06	<input type="checkbox"/>	Without		Inclusive

Seat cushions				
MC 01	<input type="checkbox"/>	Standard (thickness of cushion 5 cm)		£98.00
MC 02	<input type="checkbox"/>	Cubic Foam (thickness of cushion 5 cm)		£141.00
MC 05	<input type="checkbox"/>	EvoLight (thickness of cushion 6 cm)		£201.00
MC 20	<input type="checkbox"/>	Terra (thickness of cushion 10 cm)		£188.00
MC 21	<input type="checkbox"/>	Terra Aquos (thickness of cushion 10 cm)		£226.00
MC 22	<input type="checkbox"/>	Terra Flair (thickness of cushion 10 cm)		£566.00
MC 23	<input type="checkbox"/>	Cloud (thickness of cushion 10 cm)		£553.00
MC 29	<input type="checkbox"/>	Livo (thickness of cushion 5 cm)		£84.00
MC 30	<input type="checkbox"/>	EvoFlair (thickness of cushion 8 cm)		£303.00

Lower leg length in cm (without seat cushion)				
Lower leg length (LL) in cm (available setting range 28 cm – 51 cm)				
MB 130	<input type="checkbox"/>	Adjustable		Inclusive



Leg supports (folding)				
MB 160	<input type="checkbox"/>	Single-panel, aluminium		Inclusive
MB 180	<input type="checkbox"/>	Single-panel, carbon	- 177 g	£150.00

Leg support accessories				
MB 70	<input type="checkbox"/>	Lock for single-panel foot plate		£86.00

Other accessories				
MZ 51	<input type="checkbox"/>	Lap belt with metal buckle		£78.00
MZ 59	<input type="checkbox"/>	Pocket for mobile phone		£31.00

Spoke protectors		
MG 90	<input type="checkbox"/>	Spoke protector, transparent £146.00
MG 100	<input type="checkbox"/>	Spoke protector, Graphics decor £210.00
MG 101	<input type="checkbox"/>	Spoke protector, Miracle decor £210.00
MG 102	<input type="checkbox"/>	Spoke protector, Network decor £210.00
MG 103	<input type="checkbox"/>	Spoke protector, Robots decor £210.00
MG 104	<input type="checkbox"/>	Spoke protector, Spectrum decor £210.00

Frame colours		
001	<input type="checkbox"/>	Brilliant silver £440.00
002	<input type="checkbox"/>	Anthracite metallic £440.00
003	<input type="checkbox"/>	Jet black RAL 9005 £440.00
004	<input type="checkbox"/>	Ice blue £440.00
005	<input type="checkbox"/>	Sparkle light orange £440.00
009	<input type="checkbox"/>	Vinho sparkle £440.00
010	<input type="checkbox"/>	Marine blue £440.00
012	<input type="checkbox"/>	Sky blue £440.00
048	<input type="checkbox"/>	Jet black matte (structure) £440.00
014	<input type="checkbox"/>	Candy red £440.00
021	<input type="checkbox"/>	Sparkle granny smith £440.00
023	<input type="checkbox"/>	White RAL 9016 £440.00
027	<input type="checkbox"/>	Shimano matte £440.00
039	<input type="checkbox"/>	Black, anodised, matte Inclusive
040	<input type="checkbox"/>	Anthracite, anodised, matte Inclusive
041	<input type="checkbox"/>	Gold, anodised, matte Inclusive
042	<input type="checkbox"/>	Blue, anodised, matte Inclusive
043	<input type="checkbox"/>	Orange, anodised, matte Inclusive
044	<input type="checkbox"/>	Green, anodised, matte Inclusive
045	<input type="checkbox"/>	Purple, anodised, matte Inclusive
046	<input type="checkbox"/>	Red, anodised, matte Inclusive

Special accessories		
MZ 52	<input type="checkbox"/>	Tool kit £63.00
MZ 58	<input type="checkbox"/>	Bag for drive wheels (for 2 drive wheels up to 28") £110.00
MZ 70	<input type="checkbox"/>	Kit for transportation in a motor vehicle £328.00
MZ 89	<input type="checkbox"/>	Quick-release axle protection £10.00
MZ 92	<input type="checkbox"/>	Wheelblades (Mini-skis for caster wheels) £429.00
MZ 93	<input type="checkbox"/>	Backpack £62.00

Information



MG 06 Hollow rim



MG 10 Spinergy SPOX



MG 11 Spinergy LX



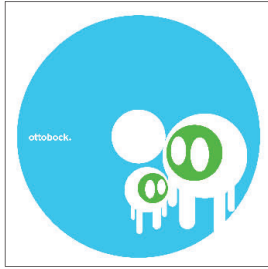
MG 15 Infinity Ultralight



MF 35/36/37 4/5/6" soft caster



MG 100 Graphic



MG 103 Robots



MG 104 Spectrum