

2024

ottobock.

<p>Base Price - £5116.00</p> <p>Valid from 01.01.24 to 31.12.24 Please ensure you are using the latest order form</p>	<p>Order no.:</p> <p>_____</p>
--	--------------------------------

Zenit R CLT

Active wheelchair

Article number: 480F160=1_AA05_C



<input type="checkbox"/> Provide estimate only		<input type="checkbox"/> Order	
<input type="checkbox"/> Attachment for custom fabrication enclosed			
Billing address/customer number			
Delivery address			
Sales person		Name	
		
		Date	Signature
<p>By placing the order, you agree to comply with the instructions for use/service manuals for accessories and products of other manufacturers when combining them with an Ottobock product, in addition to the instructions for use/service manuals of the respective Ottobock products, and you confirm to have read, understood and accepted our general terms and conditions. In addition, you agree, upon placing an order, to conduct your own conformity assessment or approval in accordance with national requirements if and when you implement modifications or attachments that do not meet the specifications of Ottobock instructions for use/service manuals. Wheelchairs with CLT package cannot be returned or exchanged.</p>			

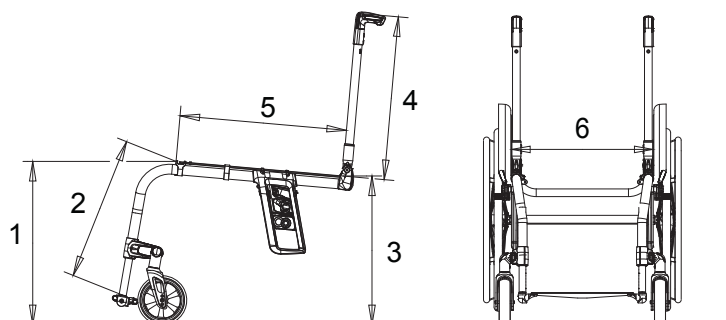
Standard equipment

- Open aluminium tube frame
- Side support (for drive wheels) permanently welded
- Back support connection permanently welded
- Back support upholstery, adaptable
- Aluminium side panels
- Modular design
- Drive wheels with quick-release axle
- Knee lever wheel lock 4.0
- Calf strap

Max. user weight 100 kg

Wheelchair measurements*

- 1 Anterior seat height (ASH)
= ground to top of seat upholstery
- 2 Lower leg length (LL)
= top of seat upholstery right/left to top of foot plate centre (without seat cushion)
- 3 Posterior seat height (PSH)
= ground to top of seat upholstery
- 4 Back support height (BH)
= top of seat tube (crossbrace) to top of back support upholstery
- 5 Seat depth (SD)
= front of seat upholstery to back support tube
- 6 Seat width (SW)
= outside edge of frame tube to outside edge of frame tube



A manufacturing tolerance of 10 mm applies to all measurements and of 10% to specified weights.

The number codes contained in this order form are not intended to be used as article numbers for spare parts orders. Please use the spare parts catalogue for spare parts orders.

Frame tube material			
MA 08	<input checked="" type="checkbox"/>	Aluminium	Inclusive
Anterior frame angle			
MA 20	<input type="checkbox"/>	75°	Inclusive
MA 21	<input type="checkbox"/>	85°	Inclusive
Front frame offset			
MA 14	<input type="checkbox"/>	0 cm offset	Inclusive
MA 15	<input type="checkbox"/>	2 cm offset	Inclusive
MA 30	<input type="checkbox"/>	2 cm abduction (possible only up to SW 42 cm)	Inclusive
Front frame extension			
MA 23	<input type="checkbox"/>	3 cm	£100.00
Seat width SW in cm			
<input type="checkbox"/> 32	<input type="checkbox"/> 34	<input type="checkbox"/> 36	<input type="checkbox"/> 38
<input type="checkbox"/> 40	<input type="checkbox"/> 42	<input type="checkbox"/> 44	<input type="checkbox"/> 46
Seat depth SD in cm			
<input type="checkbox"/> 36	<input type="checkbox"/> 38	<input type="checkbox"/> 40	<input type="checkbox"/> 42
<input type="checkbox"/> 44	<input type="checkbox"/> 46	<input type="checkbox"/> 48	<input type="checkbox"/> 50
Anterior seat height (ASH) in cm			
<input type="checkbox"/> 38	<input type="checkbox"/> 39	<input type="checkbox"/> 40	<input type="checkbox"/> 41
<input type="checkbox"/> 42	<input type="checkbox"/> 43	<input type="checkbox"/> 44	<input type="checkbox"/> 45
<input type="checkbox"/> 47	<input type="checkbox"/> 48	<input type="checkbox"/> 49	<input type="checkbox"/> 50
<input type="checkbox"/> 51	<input type="checkbox"/> 52	<input type="checkbox"/> 53	<input type="checkbox"/> 54
<input type="checkbox"/> 46			
Frame accessories			
MA 51	<input type="checkbox"/>	Tip-assist, right	+ 270 g £116.00
MA 52	<input type="checkbox"/>	Tip-assist, left	+ 270 g £116.00
MA 55	<input type="checkbox"/>	Anti-tipper, right	+ 517 g £204.00
MA 56	<input type="checkbox"/>	Anti-tipper, left	+ 517 g £204.00
MA 60	<input type="checkbox"/>	Frame pad	+ 42 g £75.00
Caster wheels			
MF 30	<input type="checkbox"/>	4" solid rubber, black	Inclusive
MF 35	<input type="checkbox"/>	4" soft caster, aluminium	£152.00
MF 31	<input type="checkbox"/>	5" solid rubber, black	Inclusive
MF 36	<input type="checkbox"/>	5" soft caster, aluminium	£152.00
MF 04	<input type="checkbox"/>	5.5" soft caster, grey	Inclusive
MF 05	<input type="checkbox"/>	6" pneumatic tyre	Inclusive
MF 32	<input type="checkbox"/>	6" solid rubber, black	Inclusive
MF 37	<input type="checkbox"/>	6" soft caster, aluminium	£152.00
Caster wheel axle			
MF 90	<input checked="" type="checkbox"/>	Forks with threaded axle	Inclusive

Posterior seat height (PSH) in cm						
<input type="checkbox"/> 37	<input type="checkbox"/> 38	<input type="checkbox"/> 39	<input type="checkbox"/> 40	<input type="checkbox"/> 41	<input type="checkbox"/> 42	<input type="checkbox"/> 43
<input type="checkbox"/> 44	<input type="checkbox"/> 45	<input type="checkbox"/> 46	<input type="checkbox"/> 47	<input type="checkbox"/> 48	<input type="checkbox"/> 49	<input type="checkbox"/> 50

Drive wheel size			
MG 02	<input type="checkbox"/>	24"	Inclusive
MG 00	<input type="checkbox"/>	25"	Inclusive

Drive wheel camber			
<input type="checkbox"/> 0°	<input type="checkbox"/> 2°	<input type="checkbox"/> 3°	<input type="checkbox"/> 4°

Drive wheel rim		24"	25"	
MG 06	<input type="checkbox"/> Hollow rim	.	.	Inclusive
MG 10	<input type="checkbox"/> Spinergy SPOX	- 360 g	.	£718.00
MG 11	<input type="checkbox"/> Spinergy LX	- 400 g	.	£792.00
MG 12	<input type="checkbox"/> Spinergy LXL Blade, black spokes	- 660 g	.	£893.00
MG 12	<input type="checkbox"/> Spinergy LXL Blade, white spokes	- 660 g	.	£893.00
MG 15	<input type="checkbox"/> Infinity Ultralight (not possible in combination with MG 34)	- 720 g	.	£109.00
MG 150	<input type="checkbox"/> Infinity Ultralight, coloured (not possible in combination with MG 34)	- 720 g	.	£186.00
<input type="checkbox"/> Infinity Ultralight/caster wheel fork colour package		24"	25"	
	<input type="checkbox"/> Sparkle light orange	.	.	
	<input type="checkbox"/> Marine blue	.	.	
	<input type="checkbox"/> Candy red	.	.	
	<input type="checkbox"/> Sparkle granny-smith	.	.	

Tyres		24"	25"	
MG 31	<input type="checkbox"/> Schwalbe RightRun 1"	.	.	Inclusive
MG 34	<input type="checkbox"/> PU 1" (not possible in combination with MG 15/MG 150)	+ 344 g	.	Inclusive
MG 341	<input type="checkbox"/> PU 1", black (not possible in combination with MG 15/MG 150)	+ 344 g	.	Inclusive
MG 37	<input type="checkbox"/> Schwalbe Marathon Plus Evolution 1"	+ 374 g	.	£52.00
MG 371	<input type="checkbox"/> Schwalbe Marathon Plus Evolution 1.1"	+ 379 g	.	£52.00
MG 200	<input type="checkbox"/> Schwalbe ONE 1"	- 226 g	.	£85.00

Handrims		24"	25"	
MG 50	<input type="checkbox"/> Aluminium, black coated, high	.	.	Inclusive
MG 52	<input type="checkbox"/> Aluminium, silver anodised, high	- 40 g	.	£14.00
MG 53	<input type="checkbox"/> Aluminium, silver anodised, low	- 120 g	.	£14.00
MG 54	<input type="checkbox"/> Rubber-coated, high	+ 500 g	.	£152.00
MG 56	<input type="checkbox"/> Stainless steel, polished, high	+ 620 g	.	£59.00
MG 57	<input type="checkbox"/> Stainless steel, polished, low	+ 580 g	.	£59.00
MG 63	<input type="checkbox"/> CURVE L (anodised)	+ 200 g	.	£384.00
MG 64	<input type="checkbox"/> CURVE L Grip for users with limited gripping function	+ 840 g	.	£415.00
MG 65	<input type="checkbox"/> GEKKO, ergonomic handrim	+ 580 g	.	£340.00

Handrim mounting			
MG 70	<input type="checkbox"/>	Mounting position narrow (15 mm)	Inclusive
MG 71	<input type="checkbox"/>	Mounting position wide (25 mm)	Inclusive

Tipping point in cm (measured parallel to the ground)									
<input type="checkbox"/> 5	<input type="checkbox"/> 6	<input type="checkbox"/> 7	<input type="checkbox"/> 8	<input type="checkbox"/> 9	<input type="checkbox"/> 10	<input type="checkbox"/> 11	<input type="checkbox"/> 12	<input type="checkbox"/> 13	<input type="checkbox"/> 14
Alternative measuring method (specification of the horizontal drive wheel position of the Avantgarde)									
<input type="checkbox"/> A	<input type="checkbox"/> B	<input type="checkbox"/> C	<input type="checkbox"/> D	<input type="checkbox"/> E	<input type="checkbox"/> F	<input type="checkbox"/> G	<input type="checkbox"/> H		
(Tick the drive wheel position of your Avantgarde, we calculate the tipping point)									
Quick-release axle system									
MG 27	<input type="checkbox"/>	Quick-release axle	Inclusive						
MG 28	<input type="checkbox"/>	Quick-release axle with Tetra release	+ 158 g £161.00						
Drive wheel accessories									
MG 87	<input type="checkbox"/>	High-pressure air pump, 14 bar	£114.00						
MG 88	<input type="checkbox"/>	Airman pump	£173.00						
Wheel locks									
MH 01	<input type="checkbox"/>	Knee lever wheel lock 4.0	Inclusive						
MH 30	<input type="checkbox"/>	Knee lever wheel lock 4.0, long wheel lock lever	Inclusive						
MH 05	<input type="checkbox"/>	Scissor wheel lock	- 142 g £141.00						
Wheel lock accessories									
MH 10	<input type="checkbox"/>	Wheel lock lever extension, fixed	+ 70 g £38.00						
MH 21	<input type="checkbox"/>	Wheel lock lever extension, pluggable	+ 34 g £90.00						
Back support height in cm									
<input type="checkbox"/> 25	<input type="checkbox"/> 27.5	<input type="checkbox"/> 30	<input type="checkbox"/> 32.5	<input type="checkbox"/> 35	<input type="checkbox"/> 37.5				
<input type="checkbox"/> 40	<input type="checkbox"/> 42.5	<input type="checkbox"/> 45	<input type="checkbox"/> 47.5	<input type="checkbox"/> 50					
Back support system									
MD 01	<input type="checkbox"/>	Back support, straight (measured 90° to the seat tube)	Inclusive						
MD 13	<input type="checkbox"/>	Back support angle according to customer request (measured 90° to the ground)	£102.00						
		<input type="checkbox"/> 0°	<input type="checkbox"/> -5°	<input type="checkbox"/> -10°					
Back support upholstery									
MD 03	<input type="checkbox"/>	Adaptable, padded	£54.00						
MD 05	<input type="checkbox"/>	Adaptable, breathable	Inclusive						
MD 18	<input type="checkbox"/>	Ultra light	£52.00						
MD 06	<input type="checkbox"/>	Without	Inclusive						
Back support pad widening									
MD 80	<input type="checkbox"/>	+ 2 cm	£20.00						
MD 81	<input type="checkbox"/>	+ 4 cm	£20.00						
MD 82	<input type="checkbox"/>	Without	Inclusive						
Use of BAXX back support system (include order form, model-specific restrictions are possible)									
MD 44	<input type="checkbox"/>	BAXX aluminium back support (not mounted)	£673.00						

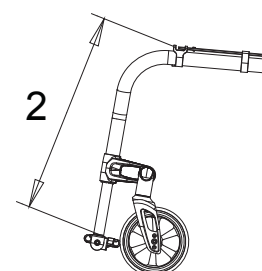
Push handles			
MD 50	<input type="checkbox"/>	Short	Inclusive
MD 51	<input type="checkbox"/>	Long (not possible in combination with MD 18)	+ 128 g Inclusive
MD 55	<input type="checkbox"/>	Height-adjustable/removable (not possible in combination with MD 18)	+ 580 g £162.00
MD 56	<input type="checkbox"/>	Fold-down	+ 108 g £195.00
MD 59	<input type="checkbox"/>	Without	- 258 g Inclusive

Side panels			
ME 02	<input type="checkbox"/>	Aluminium, with splash guard and protection against cold	Inclusive
ME 04	<input type="checkbox"/>	Carbon, with splash guard	- 256 g £615.00

Seat upholstery			
MC 15	<input type="checkbox"/>	Upholstery with storage compartments (up to seat width 38 cm = 1 compartment; from seat width 40 cm = 2 compartments)	£41.00
MC 16	<input type="checkbox"/>	Upholstery, readjustable	Inclusive
MC 18	<input type="checkbox"/>	Ultra light	£42.00
MC 06	<input type="checkbox"/>	Without	Inclusive

Seat cushions			
MC 01	<input type="checkbox"/>	Standard (thickness of cushion 5 cm)	£98.00
MC 02	<input type="checkbox"/>	Cubic Foam (thickness of cushion 5 cm)	£141.00
MC 05	<input type="checkbox"/>	Evolight (thickness of cushion 6 cm)	£201.00
MC 20	<input type="checkbox"/>	Terra (thickness of cushion 10 cm)	£188.00
MC 21	<input type="checkbox"/>	Terra Aquos (thickness of cushion 10 cm)	£226.00
MC 22	<input type="checkbox"/>	Terra Flair (thickness of cushion 10 cm)	£566.00
MC 23	<input type="checkbox"/>	Cloud (thickness of cushion 10 cm)	£553.00
MC 29	<input type="checkbox"/>	Livo (thickness of cushion 5 cm)	£84.00
MC 30	<input type="checkbox"/>	Evoflair (thickness of cushion 8 cm)	£303.00

Lower leg length in cm (without seat cushion)			
Lower leg length (LL) in cm (available setting range 28 cm – 51 cm)			
MB 130	<input type="checkbox"/>	Adjustable	Inclusive
MB 14	<input type="checkbox"/>	Permanently welded (not possible with MB 06)	£100.00



Leg supports			
MB 160	<input type="checkbox"/>	Single-panel, aluminium* (LL 28 – 51 cm)	Inclusive
MB 180	<input type="checkbox"/>	Single-panel, carbon* (LL 28 – 51 cm)	£250.00
MB 06	<input type="checkbox"/>	Aluminium light, fixed (LL 31 – 51 cm)	£153.00

* LL can be selected in dependence of wheel size, seat width and anterior seat height.

Other accessories			
MZ 59	<input type="checkbox"/>	Pocket for mobile phone	£31.00

Spoke protectors			
MG 90	<input type="checkbox"/>	Transparent	£146.00
MG 100	<input type="checkbox"/>	Graphics decor	£210.00
MG 101	<input type="checkbox"/>	Miracle decor	£210.00
MG 102	<input type="checkbox"/>	Network decor	£210.00
MG 103	<input type="checkbox"/>	Robots decor	£210.00
MG 104	<input type="checkbox"/>	Spectrum decor	£210.00
Frame colours			
001	<input type="checkbox"/>	Brilliant silver	£440.00
002	<input type="checkbox"/>	Anthracite metallic	£440.00
003	<input type="checkbox"/>	Jet black RAL 9005	£440.00
004	<input type="checkbox"/>	Ice blue	£440.00
005	<input type="checkbox"/>	Sparkle light orange	£440.00
009	<input type="checkbox"/>	Vinho sparkle	£440.00
010	<input type="checkbox"/>	Marine blue	£440.00
012	<input type="checkbox"/>	Sky blue	£440.00
048	<input type="checkbox"/>	Jet black matte (texture)	£440.00
014	<input type="checkbox"/>	Candy red	£440.00
021	<input type="checkbox"/>	Sparkle granny-smith	£440.00
023	<input type="checkbox"/>	White RAL 9016	£440.00
027	<input type="checkbox"/>	Shimano matte	£440.00
Special accessories			
MZ 52	<input type="checkbox"/>	Tool kit	£63.00
MZ 58	<input type="checkbox"/>	Bag for drive wheels (for 2 drive wheels up to 28")	£110.00
MZ 89	<input type="checkbox"/>	Quick-release axle protection	£10.00
MZ 92	<input type="checkbox"/>	Wheelblades (Mini-skis for caster wheels)	£429.00
MZ 93	<input type="checkbox"/>	Backpack	£62.00

Information



MG 06 Hollow rim



MG 10 Spinergy SPOX



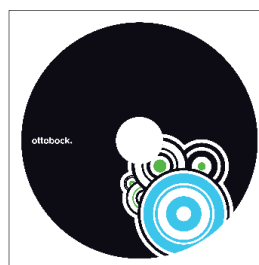
MG 11 Spinergy LX



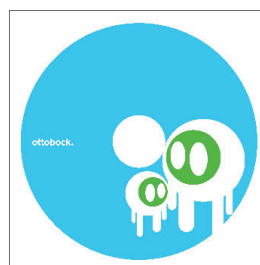
MG 15 Infinity Ultralight



MF 35/36/37 4/5/6" soft
caster



MG 100 Graphic



MG 103 Robots



MG 104 Spectrum



MF 90 Caster fork with
threaded axle



MH 01 Knee lever wheel
lock 4.0



MD 55 Push handles,
height-adjustable/re-
movable



ME 04 Carbon side pan-
el, with splash
guard



MD 05 Back support uphol-
stery, adaptable,
breathable



MB 06 Aluminium light leg
support, fixed



Drive wheel adapter, per-
manently welded