

A close-up photograph of a wheelchair's seat and backrest. The seat is upholstered in black mesh fabric with a blue mesh strip on the left side. The backrest is black and has two small rectangular cutouts. The wheelchair frame is blue, and a portion of a silver wheel is visible in the lower right. The background is plain white.

# panthera®

*Operating instructions for wheelchair model:*

## Bambino 3



# Bambino 3

CONTENTS	PAGE
Introduction/Designed for purpose	2
Design/Contact/Symbols	3
Description/Overview	4
Safety regulations	5–9
Transfer/Lifting	7
Settings	10–16
Accessories	17 – 23
Transport	24–26
Crash test	27
Maintenance/Service/Repair	28–29
Guarantee/Conformity	30
Technical facts	31



## INTRODUCTION

Congratulations on choosing a wheelchair from Panthera AB. We hope you will be satisfied with your Panthera model and wish you many happy years together. All of Panthera AB's products are designed and assembled in Spånga, outside Stockholm. Our models are constructed to be the very best on the market with regard to quality, manoeuvrability and low weight.

Please ensure you carefully read the instructions.

To view the images and text more clearly, you can also read the instructions digitally at [www.panthera.se](http://www.panthera.se)

## DESIGNED FOR PURPOSE

Panthera Bambino 3 wheelchairs are built for children who need a manual dynamic wheelchair for everyday use, both inside and outside the home. These wheelchairs are made to be used by people with physical disabilities, and are not limited to people with a specific diagnosis. Each person's individual function capacity and limitations indicates whether a manual dynamic wheelchair is suitable as a mobility aid. Wheelchair model recommendations should be given by trained healthcare professionals, and the appropriate product should then be tested and adjusted by an expert for the optimal sitting and driving characteristics. The wheelchair's design and settings are tested for each individual.

## DESIGN

Panthera's Bambino 3 wheelchairs are designed with a focus on good ergonomics when sitting or driving. The wheelchair is designed to have as low a weight as possible. The wheelchair's exterior is small and it is very light. It is available in two versions, *Bambino 3* and *Bambino 3 Short*. If required, the wheelchair can also be equipped with a range of accessories, such as an anti-tip device, push handles, arm rests or side guards.

For maximum weight of user, see Technical facts.

## CONTACT

If you have any questions or need help with the product, contact your local supplier (Assistance centre) first. To get in touch with the manufacturer, see the details below:

Panthera AB +46 (0)8-761 50 40  
Gunnebogatan 26 [www.panthera.se](http://www.panthera.se)  
SE-163 53 Spånga [panthera@panthera.se](mailto:panthera@panthera.se)

## SYMBOLS

The symbols used in the instructions and on the wheelchair and what they mean are listed below.



**WARNING:** High-risk situation that could lead to serious injury.



Read the instructions for more information



Manufacturer's address



Date of manufacture



Wheelchair's serial number



Wheelchair's model name



Max. wheelchair user weight



Wheelchair's seat width



Item number on the chassis



Item number on the label and revision

## DESCRIPTION (Fig. 1, 2)

The Panthera Bambino 3 models are dynamic wheelchairs designed to let you live life as actively as possible. Meticulous attention has been paid to their every detail. The low weight, combined with the stable, fixed frame and casters with a unique profile on the tread surface, make the wheelchair extremely easy to manoeuvre.

## OVERVIEW (Fig. 3)

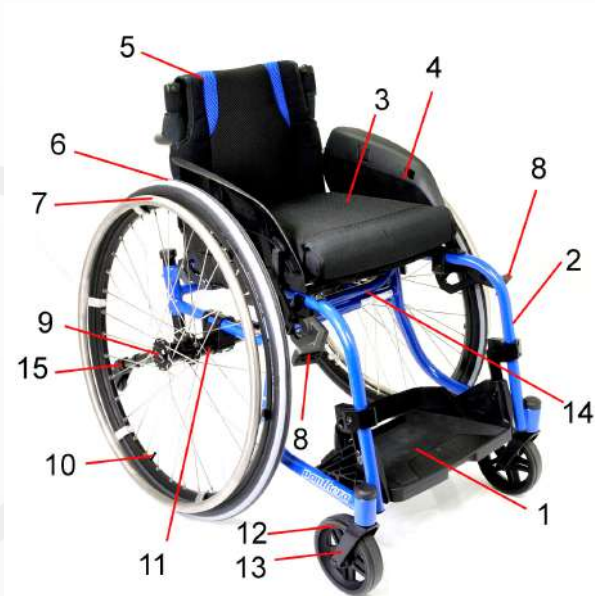


Fig. 1

1. Footrest
2. Chassis
3. Seat cushion
4. Sideguards/(Arm rest)
5. Backrest/Backrest upholstery
6. Drive wheel/Tyres
7. Push rim
8. Brake
9. Quick release
10. Air valve
11. Rear axle
12. Casters
13. Fork
14. Connective tubing
15. Anti-tip device



Fig. 2

# SAFETY REGULATIONS

## Current information

Up-to-date information on safety and product updates can be found at Panthera's website: [www.panthera.se](http://www.panthera.se)

Verify that your wheelchair corresponds with your order:

- Measure the seat width.
- Measure the height of the backrest.
- Ensure you have received the accessories you ordered.

Conduct a technical inspection of your wheelchair, ensuring that:

- the drive wheel's quick release can easily be shifted in and out of its casings.
- the drive wheel is firmly attached following installation.
- the quick release button springs out fully while in locked position.
- all four wheels are in contact with the floor.
- the caster fork can be rotated with ease.
- the backrest folds down easily.



### Balance and tipping capacity

The angle of the backrest, the adjustment of the backrest upholstery and the position of the drive wheel are what most affect the wheelchair's balance and tipping capacity. After adapting your chair, check that you feel confident about the balance of the chair.

The tipping capacity of the chair may also be affected if a bag is hung on the backrest, if you lean or stretch backwards, if the tyres are worn or contain insufficient air or if there is an unexpected change to the surface you are driving on.



### Anti-tip device

Panthera wheelchairs are designed to be as manoeuvrable as possible, which means the chair responds quickly and seamlessly to the actions you perform. If you perform the wrong actions you could tip over in the chair. If you operate the wheelchair incorrectly and do not have an anti-tip device, there is a risk you may tip backwards.

The anti-tip devices are a safety feature designed to prevent you from falling backwards in the wheelchair. If you have the slightest doubt about the balance of the wheelchair, the anti-tip devices should always be fully extended. If you operate or use the chair in such a manner that the anti-tip devices are used regularly, or if your model is equipped with electrically powered wheels, the load on the devices will increase and they must be checked daily.

# SAFETY REGULATIONS

## Wheelchair technique

It is important to test your chair comprehensively and take the time required to hone your wheelchair technique. If you have any questions on wheelchair technique, contact the person who prescribed the chair or your therapist. You are also welcome to get in touch with the team at Panthera AB.

## Brakes

Your wheelchair is equipped with brakes for each drive wheel. The brakes are designed as parking brakes and not for braking while in motion.

**PLEASE NOTE!** In order for the brakes to function correctly, the tyres must contain the correct air pressure. See Technical facts.

The brakes will operate less effectively if the tyres are worn or contain insufficient air pressure. If changing to a different type of tyre, always check the brakes as dimensions may vary.

If you have a high brake, be careful that your fingers do not make contact with the brake when driving with the drive wheel. When transferring sideways in and out of your Panthera, make sure you can lift yourself over the brake so that you do not sit on or get caught on it.



### Driving

Before using your wheelchair outdoors, spend plenty of time honing your driving technique in a secure indoor environment with a flat surface.

Always use the anti-tip devices or ensure someone is behind you as you practise. Do not attempt to drive outdoors until you feel completely confident in your wheelchair.

Watch out for obstacles such as doorsteps and gutters in which the casters could become jammed, causing the user to **fall forwards**. If the distance between the lowest point of the footrest and the surface is small (less than 40 mm) the footrest could get caught on bumps in the surface and cause you to **fall forwards**.

If you drive down a curb with the anti-tip devices folded out, they may become jammed and cause you to **fall forwards**. If you feel unsafe, fold away the anti-tip devices and ask for help. The wheelchair can also be fitted with push handles which enable the user to be driven by an assistant.

Shopping or groceries can be hung on the backrest in a bag or rucksack, but you must be fully aware that this substantially increases the risk of the wheelchair tipping backwards. In this case, the anti-tip devices must be folded out.

Driving on uneven or sloping surfaces increases the risk for falling forwards and backwards.

## SAFETY REGULATIONS

### Transfer into the chair

Techniques for transfer must be practised extensively together with qualified staff. The methods described below are for advisory purposes only.

#### Transferring into the chair sideways (Fig. 3)

1. Position the wheelchair as close to you as possible.
2. Lock the brakes. See “Breaks” under “Settings”.
3. Place one hand on the far corner of the wheelchair chassis and the other on the surface you are moving from.
4. Carefully transfer yourself into the wheelchair with good balance.

To ensure the wheelchair is as stable as possible, reverse the chair by 5–10 cm before stopping to make sure the casters are pointing forwards.

### Lifting while the user is in the wheelchair (Fig. 4)

If the wheelchair is to be lifted while the user remains seated, always grip the chair's chassis. See arrows in Fig. 4.

Do not lift using the backrest, push handles, leg support, wheels or other movable sections.



Fig. 3



Fig. 4

## SAFETY REGULATIONS



### Wheelchair technique – Ramps and sloping surfaces, curbs and stairs

#### Driving up ramps and sloping surfaces (Fig. 49)

When you are going to drive up a ramp, you need to take a bit of a run-up, keep a steady speed and at the same time control your direction. Lean your upper body forwards and move both push rims with fast, powerful pulls.

#### Driving down sloping surfaces (Fig. 50)

When driving down sloping surfaces and slopes, it is important that you have control over your direction and speed. Lean back and allow the push rims to move slowly through your hands. You should be able to stop the wheelchair at any time by grasping the push rims.

#### Driving down curbs (Fig. 51, 52)

##### With an assistant (Fig. 51)

Place the wheelchair right next to the curb. The assistant holds the backrest bow and lifts, lifts up the castors and keeps the wheelchair in balance. Then roll both rear wheels slowly over the curb edge. Meanwhile, hold the push rims firmly with both hands until the castors are on the ground again.

##### Without an assistant (Fig. 52)

Place the wheelchair right next to the curb, lift up the castors and keep the wheelchair in balance. Then roll both rear wheels slowly over the curb edge. Meanwhile, hold the push rims firmly with both hands until the castors are on the ground again.

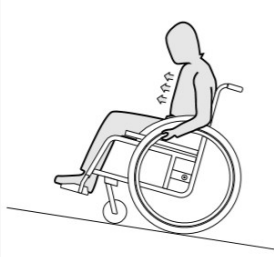


Fig. 49

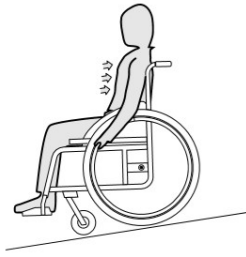


Fig. 50



Fig. 51



Fig. 52



## SAFETY REGULATIONS

### Wheelchair technique – Ramps and sloping surfaces, curbs and stairs

Driving up and down stairs (Fig. 53)

You can negotiate stairs by taking one step at a time according to the instructions here: One assistant should stand behind the wheelchair and hold the backrest bow. The second assistant should hold on to one of the solid parts of the front frame to support the wheelchair from the front. It's important that the rear wheels has support by the ground. Never lift the wheelchair with a user sitting in the wheelchair.

### Hot surfaces

If the wheelchair is exposed to sunshine for long periods, its surfaces may become extremely warm.

### Risk of jamming

While driving the chair, be aware of the risk of your fingers becoming jammed between the drive wheel and the brake, and between the drive wheel and side guard or armrest. Ensure your fingers or loose items do not become trapped in the drive wheel's spokes while driving. Moreover, take special care to ensure children do not place their hands inside the spokes.

### Friction burns

If the wheelchair is equipped with friction push rims on the rear wheels (see pos. 7 in the Overview) there is a risk of burns to the hands and fingers if you brake the wheelchair at a high speed with your hands on the push rims, as the friction between the hands and push rims generates high heat.



Fig. 53

# SETTINGS

When adjusting the chair to suit your sitting posture and provide the mobility you require, it is important that you make the adjustments in the correct order.

Firstly, adjust the chair to enable the correct sitting posture. Only then can you adjust the balance of the wheelchair to provide the mobility you require. This must be done in the correct sequence, as adjustments to the sitting posture affect the balance of the wheelchair.

Bear in mind that a little effort adjusting the chair to your requirements initially will be of considerable benefit for a long time to come.

Set aside a day to experiment with alternative settings and see how they feel, to ensure the sitting posture and balance of the wheelchair are just right for you.

Adjustments to the wheelchair's settings must take place in the following order:

1. The depth of the seat upholstery
2. The tension of the seat upholstery
3. The footplate settings
4. The tension of the heel band
5. The height and angle of the backrest
6. The tension of the backrest upholstery
7. The balance of the wheelchair
8. The brake settings

## 1. The depth of the seat upholstery (Fig. 5)

You can adjust the depth of the seat upholstery by placing the seat extension in different positions.

1. Loosen the screws slightly (1) with tool T10.
2. Loosen the Velcro straps (2).
3. Pull the seat extension off the Velcro (3).
4. Adjust the desired seat depth (5) by placing the seat extension (4) on the Velcro.
5. Tighten the Velcro straps (2).
6. Tighten the screws (1) with tool T10.

## 2. The tension of the seat upholstery (Fig. 6)

The rear section of the seat upholstery can be tightened or loosened by adjusting the



Fig. 5



Fig. 6

## SETTINGS

### 3. The footplate settings (Fig. 7, 8, 9, 10)

#### Height: (Fig. 7)

1. Loosen the screws (1) using a 4 mm Allen key.
2. Adjust to the desired height. Make it equal on both sides.
3. Tighten the screws (1).

#### Folding: (Fig. 8)

##### Upwards:

1. Release the latches (1) from the stoppers (2) by pulling them backwards.
2. Fold up the footplate (3) until it stops.

##### Down:

1. Fold the footplate down (3) until it stops and press so that it snaps into place against the stoppers (1).
2. Lock the footplate around the stoppers (2) with the latches (1) by pulling them forwards.

#### Depth:(Fig. 9)

1. Loosen the screws (1) using a 4 mm Allen key.
2. Screw the screws back into hole (2) to move the footplate forwards 30 mm.

#### Angle:(Fig. 10)

1. Loosen the screws (1) using a 4 mm Allen key.
2. Adjust to the desired angle.
3. Tighten the screws (1).



Fig. 7



Fig. 8



Fig. 9



Fig. 10

## SETTINGS

### 3. The footplate settings (Fig. 11, 12, 13)

#### 4. The tension of the heel band: (Fig. 11)

1. Pull apart the Velcro straps.
2. Adjust to the desired length.
3. Reattach the Velcro straps.

#### Footplate mounted extra high: (Fig. 12, 13, 54, 55)

If there is a need to mount the foot plate extra high:(Fig. 55)

1. Remove the footplate by loosening the screws (1) as shown in Fig 12
2. Loosen screw (1) in Fig 13 on both sides using a 4 mm Allen key.
3. Turn the bracket (2) 180 degrees (5). Do the same on both sides.
4. Remount screw (1) on both sides.
5. Loosen the screw (3) and turn the bracket (4) 180 degrees.
6. Remount screw (3) on both sides.
7. Refit the footplate to the wheelchair and adjust to the desired height.
8. Tighten the screws (1) in Fig 12.



Fig. 11



Fig. 54 std



Fig. 55 High

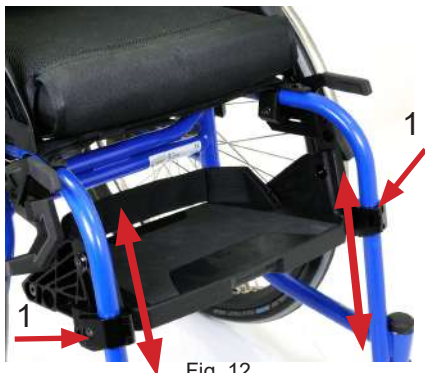


Fig. 12

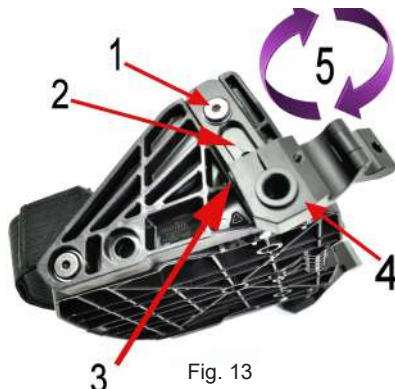


Fig. 13

## SETTINGS

### 5. The height of the backrest (Fig. 14)

The height of the backrest can be adjusted.

1. Fold away the upper part of the backrest's upholstery (1).
2. Loosen the bolts (2) on both sides with a 4 mm Allen key.
3. Adjust the backrest to the appropriate height by moving the backrest columns up or down.
4. Retighten the bolts. Remove the unattached strap if the backrest is adjusted to a low position.

### 5. The angle of the backrest (Fig. 15)

1. Deactivate the backrest locking function on both sides by pulling the wire (1).
  2. Fold the backrest forwards.
  3. Loosen the lock screw (2) a few rotations using a 4 mm Allen key. Repeat this process on the other side.
  4. Turn the backrest lock casings (3) clockwise so that the lock faucet does not fix the backrest in place. Use the 19 mm cap key. Repeat this process on the other side.
  5. Release the lock nuts (4) on both sides using the 17 mm cap key.
  6. Adjust the angle of the backrest using the adjustment screws (5) on both sides. Using the 4 mm Allen key, unscrew the adjustment screws to tilt the backrest forwards. Tightening the adjustment screws will allow the backrest to tilt backwards.
- It is important to adjust both sides equally to avoid the backrest tubing becoming crooked. Test this by placing the backrest in the upright position and checking that both adjustment screws are touching the frame.
7. Experiment with suitable backrest angles before tightening the lock nuts (4) on both sides.
  8. Place the backrest into the upright position.
  9. Turn the backrest lock casings (3) so that the lock faucets spring out into their tracks.
  10. Tighten the lock screws (2) on both sides using a 4 mm Allen key.



Fig. 14



Fig. 15

## SETTINGS

### 6. The tension of the backrest upholstery (Fig. 16)

You can adjust the backrest upholstery to suit the shape of your back using the straps located under the flap at the rear of the backrest. This provides good support to the small of the back.

The backrest upholstery also has a lower flap fastened with Velcro above the seat upholstery, under the seat cushion. This flap can be moved backwards or forwards to obtain the required tension in the lower section of the back upholstery (known as the seat bucket).

Adjusting the tension of the backrest upholstery:

1. Lift up the backrest upholstery's upper flap (1).
2. Release the strap.
3. Sit as far back in the chair as you can. If it feels as though you are not sitting far back enough in the chair, it may be because the backrest upholstery's lower flap is fastened too far forward on the seat. Loosen the flap (2) and then fasten it further back on the seat upholstery.
4. Tighten the five bands to ensure you have the necessary support.
5. Fold down the backrest upholstery's upper flap (1).



### 7. The balance of the wheelchair (Fig. 17)

You can adjust the balance of the wheelchair by moving the drive wheel's rear axle either forwards or backwards – the further forward the rear axle is placed, the greater the wheelchair's rear balance. This is done in order to transfer more weight onto the drive wheel, making the chair lighter at the front. This makes the chair easier to manoeuvre and easier to tip up onto its rear wheels, for instance, when negotiating curbs, doorsteps and so on. However, the chair should not be balanced too far to the rear, as this increases the risk of the chair tipping backwards. It is important that you take time trying out a balance that suits your body and driving technique, so you can adapt the chair to be as easy to drive as possible without substantially increasing the risk of tipping.

You should always have someone standing behind you when you try out the chair after adjusting its balance.

If you still feel unsure about the balance of your chair having tested it thoroughly, you should use anti-tip devices. When extended, these devices eliminate the danger of tipping backwards and are easily retracted when you no longer need them.



Fig. 16

## SETTINGS

### 7. Adjusting the balance of the wheelchair (Fig. 17)

1. Remove the drive wheel by pressing the quick release button and pulling the wheel straight off.
2. Use a 4 mm Allen key in order to loosen the 4 lock screws (1). Repeat this process on the other side.
3. You will now be able to push the rear axle forwards or backwards along the horizontal frame tubing. Continue until you find a suitable setting.
4. It is important that the rear axle is in the same forward position on both sides of the frame. This is most easily verified by measuring the distance between the rear end of the horizontal tubing and the rear end of the wheel attachment. Use a tape measure or ruler to ensure the distance is the same on both sides.
5. Tighten the lock screws (1) on both sides.
6. Reattach the rear wheels to the rear axle of the wheelchair and push in the wheels as far as possible. Check that the quick release has sprung out, confirming the quick release is in locked position.
7. Pull the wheels outwards to ensure they are firmly attached.

### 8. Adjusting the brakes



**PLEASE NOTE!** The effectiveness of the brakes is affected when the air pressure drops, the tyres become worn or when changing to a different type of tyre. As a result, the brakes' settings should be checked from time to time.

#### Adjusting the high brake (Fig. 18)

1. Use a 5 mm Allen key in order to loosen the lock screw (2).
2. You will now be able to push the brake forwards and backwards. Adjust the brake so that it presses around 4 mm into the tyre while in locked position. Tighten the lock screw (2) using a 5 mm Allen key.
3. The brake is locked by pushing the lever (1) forwards until it stops.
4. Adjust the brake on the other side by following steps 1 to 3.



Fig. 17



Fig. 18

## ACCESSORIES



### Anti-tip devices (Fig. 19, 20)

The two anti-tip devices are extremely important accessories which must be folded out and correctly adjusted to provide adequate protection against the user tipping backwards. PLEASE NOTE! The anti-tip devices **must not be used as a “tip assist”** to lift the front wheel of the wheelchair to get over thresholds, curbs, etc.

#### Folding out the anti-tip devices: (Fig. 19)

- 1) Press the knob on the anti-tip device firmly (1).
- 2) The anti-tip device automatically folds out to the extended position, so that it points backwards (2).
- 3) Repeat with the second anti-tip device.

#### Folding in the anti-tip devices: (Fig. 19)

1. Press and hold the knob (1).
2. Turn the anti-tip device so it goes under the seat with your hand on the anti-tip device (2).
3. Repeat with the second anti-tip device.

#### Installing the anti-tip devices: (Fig. 19, 20)

- 1) Back the wheelchair up against e.g. a wall; check that the distance (3) from the rear edge of the anti-tip wheel is **flush with or behind the drive wheel**, it **must not be in front**.
- 2) Adjust if necessary by fixing the wheel tubing in any of the five positions (4).



Fig. 19

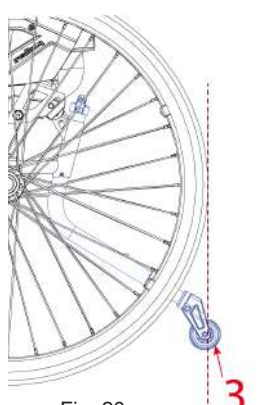


Fig. 20



## ACCESSORIES

### Side guards (Fig. 21)

The side guards prevent clothing and loose items from becoming jammed in the wheelchair's spokes and also stop dirt from the wheels getting onto the user's clothing. The side guards can be removed, during transportation, for example, by pulling them up vertically to release them from their attachments.

### Adapting the side guards to 20, 22 or 24" rear wheels (Fig. 22)

The side guards can be adjusted to fit various sizes of rear wheels. Parts 2 and 3 are detachable to be able to adjust the side guards to the right height in relation to the rear wheels.

1. Use only part (1) for 20" rear wheels.
2. Use only parts (1 and 2) for 22" rear wheels.
3. Use parts (1, 2 and 3) for 24" rear wheels.

### Loosening the side guards (Fig. 21)

Pull the side guards straight up to remove them from the wheelchair.

### Armrests (Fig. 23)

The armrests are height-adjustable through a spring-loaded screw. There are three possible height positions. To adjust the height of the armrest, use a 3 mm Allen key to unscrew (pos. 2) a few turns, push in the screw and slide the armrest cushion up or down to the desired position. When the desired position is reached, release the screw and feel how the armrest "clicks into" the desired position. To lock the position, tighten the screw again.

### Loosening the arm rests (Fig. 23)

Pull the arm rests and side guards straight up to remove them from the wheelchair.



Fig. 21



Fig. 22

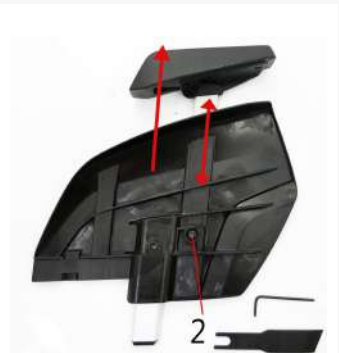


Fig. 23

## ACCESSORIES

### Hip belt (Fig. 24, 25, 26)

A hip belt (positioning belt) may be fitted without affecting conformity to the CE marking standard. Hip belts can be fitted around the frame's tubing at one of the locations indicated. (Fig. 24)

If the wheelchair is equipped with the belt mounts accessory, the hip belt is mounted through the slots in the mounts. (Fig. 25, 26)



Fig. 24

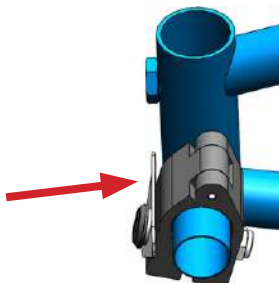
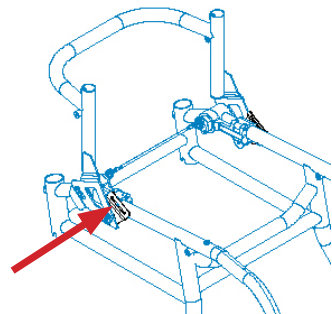
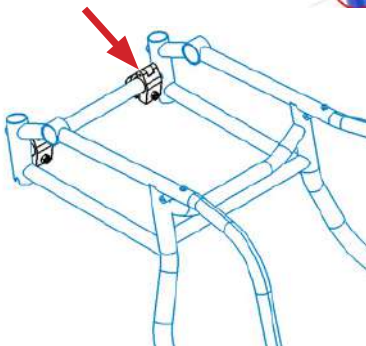


Fig. 25

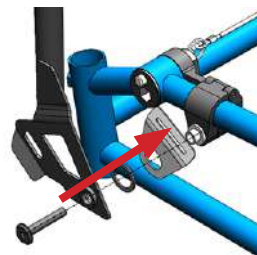


Fig. 26

## ACCESSORIES

### Torso support (Fig. 27, 28)

For those who have poor torso stability, one or two torso supports can improve their sitting position.

#### Installation (Fig. 27)

1. Loosen the screws (1) using a 4 mm Allen key.
2. Adjust the torso support cushion in terms of height and depth.
3. Tighten the screws (1) using a 4 mm Allen key.

#### Folding away (Fig. 28)

1. Lift the plastic catch (1) a little.
2. Move the torso support upwards so that the catch moves past the stop screw.
3. Fold the torso support to the side.

#### Folding inwards:

1. Fold the torso support inwards to the correct position.
2. Move the torso support downwards so that the catch is guided over the stop screw.



Fig. 27



Fig. 28

## ACCESSORIES

### Push bar

Adjustable, removable push bar for transporting users in wheelchairs for longer distances.

Mounting the push bar: (Fig. 29, 30)

1. Squeeze the handle together (1) to open the clamp (2) that should go around the lower frame tube. (3)
2. Release the handle when the clamp (2) is around the tube. (3)
3. Open clamps A and B and place A under and around the (5) backrest bow.
4. Move (6) clamp B forwards over the backrest bow and hook (7) the front edge over the front edge of clamp A.
5. Press clamp B so that the orange flap lock clamp B with a click.

Dismounting the push bar. (Fig. 31, 29)

(Fig. 31)

1. Press (1) the orange flap inwards towards the backrest and fold (2) up clamp B.
2. Loosen clamp B at the front edge from clamp A (3) which is folded down so that it releases from the tube.

(Fig. 29)

3. Squeeze the handle together (1) to open the clamp (2) so that it can be removed from the frame tube. (3)
4. Remove the push bar from the wheelchair.

Installing the push bar (Fig. 32)

Adjusting the height of the push bar:

1. Unfold the locking arm (1) on the back of the push bar.
2. Set the desired height and fold the locking arm back into place.

Adjusting the angle of the handle:

1. Press the large button (1) at the top of the push bar.
2. While pressing the button (1), set the angle of the drive handle.
3. Stop pressing the button (1) when the desired angle is reached.

# ACCESSORIES

## Push bar



Fig. 29

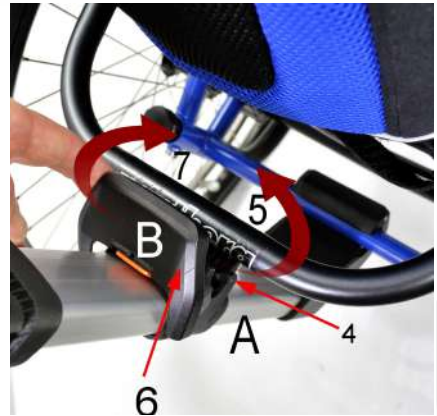


Fig. 30

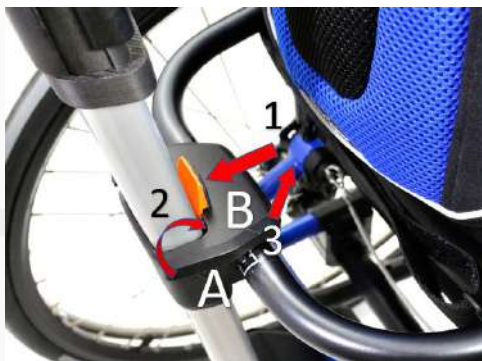


Fig. 31



Fig. 32

# ACCESSORIES

## Headrest

Mounting the headrest: (Fig. 33)

The headrest is mounted to the push bar.

1. Release the bracket's lock lever (1).
2. Thread the headrest's mount into the clamp (2).
3. Tighten the lock lever (1).

Adjusting the headrest. (Fig. 34–35)

(Fig. 34)

1. Loosen these two knobs to adjust the headrest's height, angle and depth. (1 and 2)
2. Adjust to the desired position and tighten the knobs. (1 and 2)

(Fig. 35)

The headrest's plate can be mounted facing upwards or downwards, which gives a higher and lower position respectively. The difference is 30 mm (+-15mm).

1. Loosen the upper knob completely and remove the headrest to turn it around. (1)
2. Remount the headrest and tighten the screw. (1)



Fig. 33

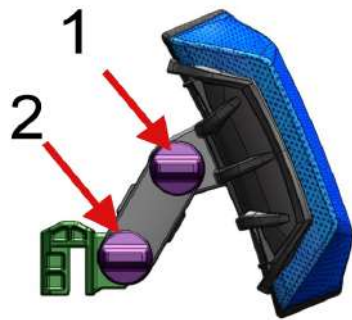


Fig. 34

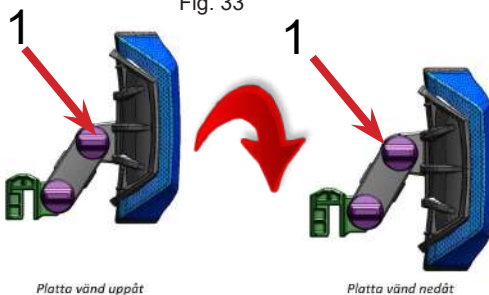


Fig. 35

## ACCESSORIES

Tray table Note! Maximum load 5kg

Mounting the tray table:(Fig. 36)

1. Fold out the legs (1) on the tray table and fit them against the holes on the side guards (2).
3. Push the table down until it stops.

Removing the tray table. (Fig. 37)

Lift the table straight up so that it releases from the side guards.

Transport of tray table. (Fig. 38)

1. Fold the legs on the tray table.
2. Place the three magnets on the tray table against the three corresponding magnets on the bracket mounted on the drive wheel. Now the tray table is attached to the drive wheel while driving the wheelchair.

### Permitted accessories

The accessories that are permitted to be mounted on the wheelchair can be found on Panthera's website: [www.panthera.se](http://www.panthera.se)

6



Fig. 36



Fig. 37

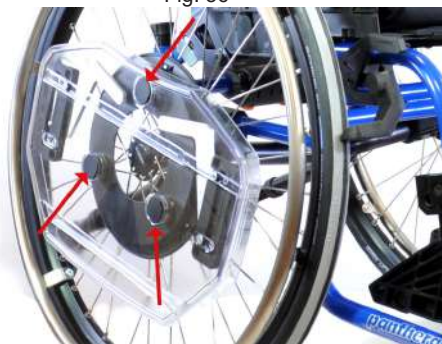


Fig. 38

## TRANSPORT

We would like to emphasise that, when transporting a wheelchair user in a vehicle, it is always preferable to transfer the user to a regular car seat with a seat belt.

The Bambino 3 model is crash tested and approved for transportation in mobility service vehicles. When travelling in vehicles, users may remain in their wheelchairs provided approved restraint systems and seatbelts are used, however, Panthera AB does not recommend this.

For information on securing the wheelchair during transportation while the user remains in the chair, see page 25–26.

### Assembling and disassembling the wheelchair (Fig. 39 and 40)

When transporting the wheelchair, in a car, for example, the backrest can be lowered and the drive wheel detached.

Lowering the backrest, (Fig. 39):

- 1) Remove any side guards and armrests by pulling them upwards vertically.
- 2) Remove the seat cushion if necessary.
- 3) Pull the wire (1) and lower the backrest.

Detaching the drive wheel, (Fig. 40):

- 1) Push the quick release button (1).
- 2) Pull the wheel straight off.

Attaching the drive wheel, (Fig. 40):

- 1) Push the quick release button (1).
- 2) Insert the wheel onto the rear axle and then push it in as far as possible.
- 3) Check that the button has sprung out (1), confirming the quick release is in locked position.
- 4) Pull the wheel outwards **to ensure it is firmly attached**.



Fig. 39

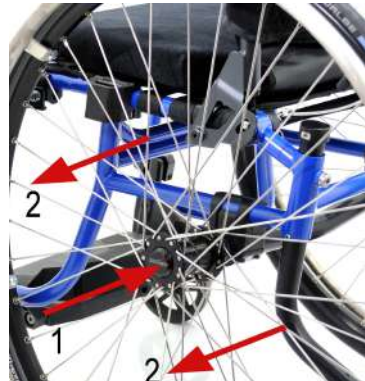


Fig. 40



## TRANSPORT

### Securing the wheelchair in a vehicle (Fig. 41 and 42)

During transportation, the wheelchair must always be facing in the direction of travel while the user is sitting in the chair.

An exception may be made if the vehicle is fitted with a device designed in accordance with Bus Directive 2001/85/EG, Appendix VII, Item 3.8.3. In such cases, the user may travel without a restraint system with the wheelchair facing in the opposite direction to which the vehicle is travelling.

The wheelchair must always be secured to the vehicle in four locations

#### Securing the wheelchair

- 1) Secure the straps around the tubing above the two casters. See (Fig. 41).
- 2) Fasten the two straps around the rear axle. See (Fig. 42). Please note! Do not attach metal hooks directly against the rear axle.
- 3) Pull the wheelchair backwards and fully tighten the rear straps to ensure the wheelchair is secured and cannot be moved forwards or backwards.
- 4) If the wheelchair is fitted with brakes, ensure these are activated.
- 5) We also recommend that the anti-tip devices are folded out.
- 6) Ensure that all straps and bands are fully fastened to the profile rail on the floor of the vehicle.
- 7) Check that all straps and belts have been tightened sufficiently



Fig. 41



Fig. 42

## TRANSPORT

### Securing the user (Fig. 43 and 44)

If the user remains in the wheelchair during transportation, we recommend that the backrest is level with or above the user's shoulders.

The user must be secured in the vehicle using a three-point seatbelt in order to minimise the risk of injury to the head or chest in conjunction with braking or potential collision.

The vehicle's seatbelt must remain in contact with the user's body. Seatbelts may not be separated from the user's body by any part of the wheelchair. See (Fig. 43 and 44).

Unsecured accessories in the wheelchair must be removed in order to minimise the risk of injury to the user or fellow passengers.



Fig. 43

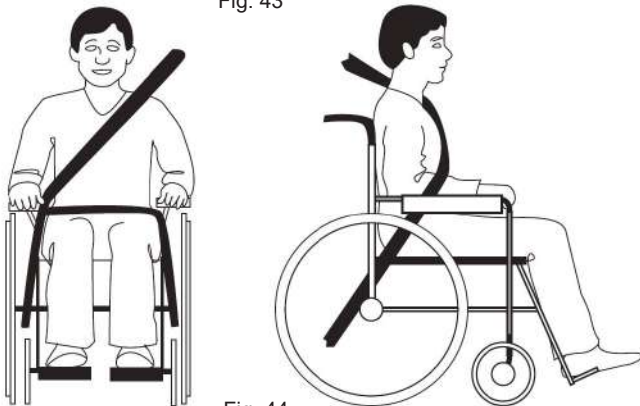


Fig. 44

## CRASH TEST

The Panthera Bambino 3 has successfully undergone crash testing.

Panthera's Bambino 3 wheelchair has been approved for use in transport in service vehicles as follows. Here we report how the chair is to be fastened in an approved manner and which materials have been used in the tests. The following wheelchair models and materials have been used for approval according to the tests below.

This protocol is based on the results obtained when Panthera's wheelchairs have been crash tested according to ISO 7176-19:2008, section 5.2. The crash test was performed by: RISE. Date of test: 30/06/2020.

Panthera Bambino 3:

Restraint system: Unwin Sys01

User seatbelt: Unwin Ocr02

Test dummy: Hybrid III dummy (weight 59 kg)

For more information about seatbelts and restraint systems, contact the manufacturer, Handicare.

### Specification of wheelchair used for crash test

The chair that Panthera has crash tested had the following design at the time of the test:

Panthera Bambino 3:

Full Bambino 3 chassis, width 30

Full Bambino 3 backrest, width 30, height 33

Bambino 3 footplate, width 30

Std 22" rear wheels with titanium push rims

High breaks, moved forward

Bambino 3 push bar, width 30

Bambino 3 headrest, width 30

Anti-tip device

Bambino 3 side guards

Bambino cushion, width 30, 2.5 cm

Deviations from the result may occur on chairs with a different design. The height of the back of the chair and the mounting of the push bar with the neck cushion greatly affect the result.

## MAINTENANCE

Your Panthera wheelchair is built to be almost maintenance-free. However, you need to regularly review a few parts. (You will of course have to clean and check the chair more often if you use it in more extreme environments, for example in sand and salt water.)

### Storage

When storing your wheelchair for 4 months or more, it should be placed in a warm, dry room. After storage, check the air pressure of the tyres and the condition of the upholstery.

### Ongoing maintenance

For ongoing maintenance, you will need the following:

- car shampoo or similar.
- degreaser (for removing stubborn grease and dirt).
- multi-purpose oil, for example, CRC 5-56.

### Once a month, you must:

- Wipe the chair chassis over with car shampoo or detergent using a damp cloth. To remove severe dirt, use a degreasing agent. Lubricate all moving parts with 5-56, universal oil, after washing.
- Clean the front wheel fork casing (between the wheel and the fork). Hair and dust etc. often accumulate here which can lead to the bearing getting damaged. Loosen the wheel bolt with a 4 mm Allen key and remove the wheel. Then clean the spacers between the wheel and the fork and wipe the outside of the wheel bearing with a cloth. Apply a drop of oil to each bearing. Reassemble the parts.
- Lubricate the drive wheel axle. Remove the wheel and spread a few drops of oil over the axle. If you drive in rain, sand, salt or slush, or rarely remove the drive wheel, you should do this more regularly.
- Inflate the tyres by unscrewing the cover from the valve, and then fill it with air using a suitable valve adapter to the correct tyre pressure. (See Technical facts).
- Check all the screws and nuts, tighten if necessary.
- Ensure the chair has not sustained any damage. In the event of damage, immediately contact your local supplier or the team at Panthera AB.

### Twice a year, you must:

- Lubricate the moving parts of the brake with a few drops of oil.
- Lubricate the bushing at the joint of the backrest. Lubricate the bushings with a few drops of oil.
- Wash the seat upholstery, backrest upholstery and seat cushion cover in washing machine at 60 °C when necessary.

Fasten the Velcro together, hook side to loop side, to avoid the upholstery being pulled by the Velcro during washing.

### Help with service and repair

For help with service or repair, please contact your Assistance centre first. You can also contact Panthera for help and answers to questions.

Instructions for reconditioning can be downloaded from [www.panthera.se](http://www.panthera.se)

## Replacement of wear parts (Fig. 45 and 46)

Wear parts such as tyres, inner tubes and casters can be obtained from the Assistance centre or ordered from Panthera against payment, and the work can be carried out at home for those able to do so.

[www.panthera.se](http://www.panthera.se)

To replace these yourself, do as follows:

### Replacing tyres and inner tubes: (Fig. 45)

- 1) Order parts from Panthera in the correct dimension.
- 2) Remove the drive wheel by pressing the quick release button and pulling the wheel straight off.
- 3) Remove the tyre and inner tube using suitable tools. The method is the same as that used for changing the tyre and inner tube on a bicycle wheel.
- 4) Carefully fit the inner tube and tyre to ensure the inner tube is not punctured. Pump up the tyre.
- 5) Reattach the wheel to the wheelchair, taking care to ensure the quick release button springs out so the wheel is securely fastened to the hub. Pull the wheel outwards to ensure it is firmly attached. Spin the wheel to ensure the tyre has been fitted correctly and the wheel is completely circular.

### Replacing casters: (Fig. 46)

QR link to instructional video which

is also available on Panthera's website. [www.panthera.se/en/delar\\_lankhjul\\_120.html](http://www.panthera.se/en/delar_lankhjul_120.html)



- 1) Order parts from Panthera in the correct dimension.
- 2) Detach the caster using a 4 mm Allen key.
- 3) When attaching the new caster, hold down both bushings using your thumb and index finger and then guide the caster into the fork track.

When reassembling castors after cleaning or servicing, always check that the bolt still has thread lock (blue, red or green) on the thread, which indicates sufficient thread lock. If thread locking is missing, a new bolt must be ordered or light thread lock must be applied.

- 4) Tighten fully using a 4 mm Allen key. Ensure that the caster turns easily.

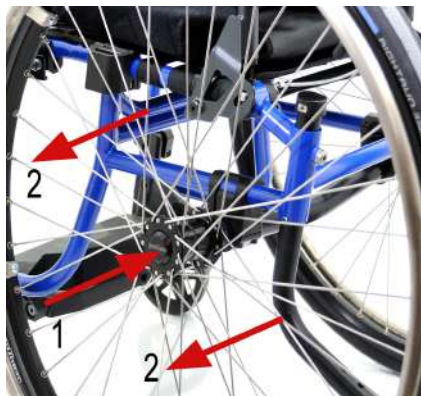


Fig. 45



Fig. 46

## GUARANTEE AND LIFESPAN

**Lifespan:** The lifespan of a Panthera product depends on how much wear and tear it is exposed to and how thorough you are with maintenance.

When reaching the end of its lifespan, the wheelchair must be handed in to the Assistance centre or Panthera AB to be recycled.

### Guarantee

Panthera AB offers a five-year factory guarantee on the wheelchair chassis. For other parts there is a guarantee of 12 months (with the exception of wear parts).

- The guarantee covers product faults attributable to defects relating to design, material or manufacturing.
- The guarantee does NOT cover faults attributable to normal wear and tear, negligent maintenance, handling errors, incorrect storage, incorrect assembly on the part of the purchaser, adjustments and use of products from other supplies without obtaining Panthera AB's written consent or deterioration attributable to repairs carried out on the purchaser's own initiative.

### Reuse

The Panthera Bambino 3 is suitable for reuse. Prior to being reused, the wheelchair must be cleaned, disinfected and dispatched to an authorised reseller for inspection.

## CONFORMITY (Fig. 47 and 48)

Details of the wheelchair's conformity with standards can be found on the underside of the chassis at the front.

See page 3 for an explanation of the symbols.



Fig. 47



Fig. 48

## TECHNICAL FACTS

<b>BAMBINO 3</b>				
Seat width (cm)	24	27	30	33
Total width	52	55	58	61
Total length	69	69	69	69
Total height, 22" wheels	60-75	60-75	60-75	60-75
Seat				
Seat angle	4°	4°	4°	4°
Seat high rear	39	39	39	39
Seat high front, 22" wheels	41	41	41	41
Depth of seat	25-30	25-30	25-30	25-30
Backrest				
Back height	20–28 or 27–35	20–28 or 27–35	20–28 or 27–35	20–28 or 27–35
Backrest angle forwards–backwards	11.5–(-7.5)°	11.5–(-7.5)°	11.5–(-7.5)°	11.5–(-7.5)°
Diameter of rearwheels	20, <b>22</b> , 24"	20, <b>22</b> , 24"	20, <b>22</b> , 24"	20, <b>22</b> , 24"
Push rim diameter (mm)	505	505	505	505
Camber angle of rearwheels	6°	6°	6°	6°
Diameter of caster (mm)	120	120	120	120
Footrest, seat to footrest (cm)	16–30 Variable	16–30 Variable	16–30 Variable	16–30 Variable
Transport dimensions				
Width	37,5	40,5	43,5	46,5
Length	66	66	66	66
Height	40	40	40	40
Weights				
Total (g) *	9764	9992	10220	10448
Transport	5734	5961	6190	6420
Weight of user (kg)	60	60	60	60
Min turning space (cm)	90	90	90	90
Max inclination with brake	5°	5°	5°	5°
Air pressure in tyres (bar/kPa)	8/800	8/800	8/800	8/800
Material: chassis/backrest	Chrome molybdenum tubing			
Material: upholstery	Polyurethane coated polyester			
Upholstery and cushion have been fire tested in accordance with:	ISO 7176-16			
Wheelchair classification	B: indoor/outdoor			
* Weights were taken with brakes and anti-tip installed.				

## TECHNICAL FACTS

<b>BAMBINO 3 SHORT</b>			
Seat width (cm)	24	27	
Total width	52	55	
Total length	64	64	
Total height, 22" wheels	60-75	67-75	
Seat			
Seat angle	4°	4°	
Height of seat at rear	39	39	
Height of seat at front	41	41	
Depth of seat	20-25	20-25	
Backrest			
Back height	20–28 or 27–35	20–28 or 27–35	
Backrest angle forwards–backwards	11.5–(-7.5)°	11.5–(-7.5)°	
Diameter of drive wheel	20, <b>22</b> , 24"	20, <b>22</b> , 24"	
Push rim diameter (mm)	555	555	
Camber angle of drive wheel	6°	6°	
Diameter of caster (mm)	120	120	
Footrest, seat to footrest (cm)	16–30 Variable	16–30 Variable	
Transport dimensions			
Width	37,5	40,5	
Length	61	61	
Height	40	40	
Weights			
Total (g) *	9764	9992	
Transport	5734	5960	
Weight of user (kg)	60	60	
Min turning space (cm)	90	90	
Max inclination with brake	5°	5°	
Air pressure in tyres (bar/kPa)	8/800	8/800	
Material: chassis/backrest	Chrome molybdenum tubing		
Material: upholstery	Polyurethane coated polyester		
Upholstery and cushion have been fire tested in accordance with:	ISO 7176-16		
Wheelchair classification	B: indoor/outdoor		
* Weights were taken with brakes and anti-tip installed.			



# panthera®



CE

Panthera AB, Gunnebogatan 26, SE-163 53 Spånga  
+46 (0)8-761 50 40, [www.panthera.se](http://www.panthera.se), [panthera@panthera.se](mailto:panthera@panthera.se)