

panthera®

Operating instructions

Wheelchair model:

S3

S3 0°

S3 Short Abd

U3

U3 Y-Front

Panthera S3/U3

CONTENTS	PAGE
Introduction/ Designed for purpose	2
Design/ Contact/ Symbols	3
Description	4
Overview	5
Safety regulations	6–9
Transfer/Lifting	8
Settings	9–14
Accessories	14–16
Transportation	16–19
Crash test	20
Maintenance/Service/Repair	21–22
Guarantee/Conformity	23
Technical facts	24–32



INTRODUCTION

Congratulations on choosing a wheelchair from Panthera AB. We hope you will be satisfied with your Panthera model and wish you many happy years together. All of Panthera AB's products are designed and assembled in Spånga, outside Stockholm. Our models are constructed to be the very best on the market with regard to quality, manoeuvrability and low weight.

Please ensure you carefully read the instructions.

To view the images and text more clearly, you can also read the instructions digitally at www.panthera.se

DESIGNED FOR PURPOSE

Panthera S3 and U3 wheelchairs are built for individuals who need a manual dynamic wheelchair for everyday use, both inside and outside the home. These wheelchairs are made to be used by people with physical disabilities, and are not limited to people with a specific diagnosis. Each person's individual function capacity and limitations indicates whether a manual dynamic wheelchair is suitable as a mobility aid. Wheelchair model recommendations should be given by trained healthcare professionals, and the appropriate product should then be tested and adjusted by an expert for the optimal sitting and driving characteristics. The wheelchair's design and settings are tested for each individual, and the product is not usually suitable for young children.

DESIGN

Panthera's S3 and U3 wheelchairs are designed with a focus on good ergonomics when sitting or driving. The wheelchair is designed so that it can be easily lifted into the car by the user. In addition, the chassis is formed to provide a balanced, effortless grip when lifting the chair into the car. The wheelchair's exterior is small and it is very light. If required, the wheelchair can also be equipped with a range of accessories, such as an anti-tip device, push handles, arm rests or side guards.

For maximum weight of user, see Technical facts.

CONTACT

If you have any questions or need help with the product, contact your local supplier (Assistance centre) first. To get in touch with the manufacturer, see the details below:

Panthera AB +46 (0)8-761 50 40
Gunnebogatan 26 www.panthera.se
SE-163 53 Spånga panthera@panthera.se

SYMBOLS

The symbols used in the instructions and on the wheelchair and what they mean are listed below.



WARNING! High-risk situation that could lead to serious injury.



Read the instructions for more information



Manufacturer's address



Date of manufacture



Wheelchair's serial number



Wheelchair's model name



Max. wheelchair user weight



Wheelchair's seat width



Article number on the chassis



Article number on the label and revision

DESCRIPTION (Fig. 1, 2, 3 and 30)

The Panthera S3/U3 models are dynamic wheelchairs designed to let you live life as actively as possible. Meticulous attention has been paid to their every detail. The low weight, combined with the stable, fixed frame and Castors with a unique profile on the tread surface, make the wheelchair extremely easy to manoeuvre.

Panthera S3, Fig. 1,

The S3 features full frame width at the front. Also available in Panthera S3 Short, 50 mm shorter, Short Low, 50 mm shorter and 25 mm lower and Large, 50 mm longer and 25 mm higher than the S3 and Panthera S3 0° that has a flat seat angle. Also available as Panthera S3 Short Abd, that has an abduction front, 6 cm wider than the seat width. Fig. 30

The Panthera U3, Fig. 2, features the same design as the S3, but unlike the S3, the model has a tapered front. The Castors are positioned far out on both the S3 and U3, creating ample room for the user's feet without the wheels colliding with their heels. Panthera U3 Y-front, Fig. 3. Gives the user full frame width for the thighs and then narrows in the front to collect the feet on a fixed footrest.

Also available as Panthera U3 Y front Short, 50 mm shorter.



Fig. 1



Fig. 2



Fig. 3



Fig. 30

OVERVIEW (Fig. 3)



Fig. 3



1. Footrest
2. Chassis
3. Seat cushion
4. Armrest
5. Backrest/Backrest upholstery
6. Rear wheel/Tyres
7. Push rim
8. Brake
9. Quick release
10. Air valve
11. Rear axle
12. Castors
13. Fork
14. Connective tubing
15. Anti-tip device

SAFETY REGULATIONS

Current information

Up-to-date information on safety and product updates can be found at Panthera's website, www.panthera.se

Verify that your wheelchair corresponds with your order:

- Measure the seat width.
- Measure the height of the backrest.
- Ensure you have received the accessories you ordered.

Conduct a technical inspection of your wheelchair, ensuring that:

- the rear wheel's quick release can easily be shifted in and out of its casings.
- the rear wheel is firmly attached following installation.
- the quick release button springs out fully while in locked position.
- all four wheels are in contact with the floor.
- the Castor fork can be rotated with ease.
- the backrest folds down easily.



Balance and tipping capacity

The angle of the backrest, the adjustment of the backrest upholstery and the position of the rear wheel are the most significant factors affecting the wheelchair's balance and tendency to tip. After adapting your wheelchair, check that you feel confident about the balance of the wheelchair.

The tipping capacity of the wheelchair may also be affected if a bag is hung on the backrest, if you lean or stretch backwards, if the tyres are worn or contain insufficient air or if there is an unexpected change to the surface you are driving on.



Anti-tip device

Panthera wheelchairs are designed to be as manoeuvrable as possible, which means the wheelchair responds quickly and seamlessly to the actions you perform. If you perform the wrong actions you could tip over in the wheelchair. If you operate the wheelchair incorrectly and do not have an anti-tip device, there is a risk you may tip backwards.

The anti-tip devices are a safety feature designed to prevent you from falling backwards in the wheelchair. If you have the slightest doubt about the balance of the wheelchair, the anti-tip devices should always be fully extended. If you operate or use the wheelchair in such a manner that the anti-tip devices are used regularly, or if your model is equipped with electrically powered wheels, the load on the devices will increase and they must be checked daily.

SAFETY REGULATIONS

Wheelchair skills

It is important to test your wheelchair comprehensively and take the time required to hone your wheelchair skills. If you have any questions on wheelchair technique, contact the person who prescribed the wheelchair or your therapist. You are also welcome to get in touch with the team at Panthera AB.

Brakes

Your wheelchair is equipped either with brakes for each rear wheel (**high brakes**) or a one-hand brake. The one-hand brake can be applied by gripping with one hand rather than two. The brakes are designed as parking brakes and not for braking while in motion.

Please note. In order for the brakes to function correctly, the tyres must contain the correct air pressure. See Technical facts.

The brakes will operate less effectively if the tyres are worn or contain insufficient air pressure. If changing to a different type of tyre, always check the brakes as dimensions may vary.

If you have a high brake, be careful that your fingers do not make contact with the brake when driving with the rear wheel. When transferring sideways in and out of your Panthera, make sure you can lift yourself over the brake so that you do not sit on or get caught on it. If you use the one-hand brake and can stand up, be careful not to open the brake by accident with the back of your legs.



Driving

Before using your wheelchair outdoors, spend plenty of time honing your driving technique in a secure indoor environment with a flat surface.

Always use the anti-tip devices or ensure someone is behind you as you practise. Do not attempt to drive outdoors until you feel completely confident in your wheelchair.

At speeds above 8 km / h the risk of losing control of the wheelchair increases.

Watch out for obstacles such as doorsteps and gutters in which the small castors could become jammed, causing the user to **fall forwards**.

If the distance between the lowest point of the footrest and the surface is small (less than 40 mm) the footrest could get caught on bumps in the surface and cause you to **fall forwards**.

If you drive down a curb with the anti-tip devices folded out, they may become jammed and cause you to **fall forwards**. If you feel unsafe, fold away the anti-tip devices and ask for help. The wheelchair can also be fitted with push handles which enable the user to be driven by an assistant.

Shopping or groceries can be hung on the backrest in a bag or rucksack, but you must be fully aware that this substantially increases the risk of the wheelchair tipping backwards. In this case, the anti-tip devices must be folded out.

Driving on uneven or inclined surfaces increases the risk of falling both forward and backward.

SAFETY REGULATIONS

Transfer into the wheelchair

Techniques for transfer must be practised extensively together with qualified staff. The methods described below are for advisory purposes only.

Transferring into the wheelchair sideways (Fig. 4)

1. Position the wheelchair as close to you as possible.
2. Lock the brakes. Se “Brakes” under “Settings”.
3. Place one hand on the far corner of the wheelchair chassis and the other on the surface you are moving from.
4. Carefully transfer yourself into the wheelchair with good balance.

To ensure the wheelchair is as stable as possible, reverse the wheelchair by 5–10 cm before stopping to make sure the Castors are pointing forwards.

Lifting while the user is in the wheelchair (Fig. 5)

If the wheelchair is to be lifted while the user remains seated, always grip the wheelchair's chassis. See arrows in Fig. 5.

Do not lift using the backrest, push handles, leg support, wheels or other movable sections.



Fig. 4



Fig. 5

SAFETY REGULATIONS

Hot surfaces

If the wheelchair is exposed to sunshine for long periods, its surfaces may become extremely warm.



Risk of jamming

While driving the chair, be aware of the risk of your fingers becoming jammed between the rear wheel and the brake, and between the rear wheel and side guard or armrest. Ensure your fingers or loose items do not become trapped in the rear wheel's spokes while driving. Moreover, take special care to ensure children do not place their hands inside the spokes.



Risk of burns

If the wheelchair is equipped with friction pushrims on the drive wheels (see item 7 in Overview), there is a risk of burns to the hands and fingers if you brake the wheelchair at high speed with the hands of the pushrims, as the friction between the hand and the pushrim generates high heat.

SETTINGS

When adjusting the chair to suit your sitting posture and provide the mobility you require, it is important that you make the adjustments in the correct order.

Firstly, adjust the chair to enable the correct sitting posture. Only then can you adjust the balance of the wheelchair to provide the mobility you require. This must be done in the correct sequence, as adjustments to the sitting posture affect the balance of the wheelchair.

Bear in mind that a little effort adjusting the chair to your requirements initially will be of considerable benefit for a long time to come.

Set aside a day to experiment with alternative settings and see how they feel, to ensure the sitting posture and balance of the wheelchair are just right for you.

Adjustments to the wheelchair's settings must take place in the following order:

- 1) The tension of the seat upholstery.
- 2) The height of the footrest.
- 3) The tension of the calf strap/heel strap.
- 4) The angle of the backrest.
- 5) The tension of the backrest upholstery.
- 6) The balance of the wheelchair.
- 7) The brake settings.

SETTINGS

1) The tension of the seat upholstery (Fig. 6)

The rear section of the seat upholstery can be tightened or loosened by adjusting the Velcro strap underneath.

This allows you to vary your seat height by around 2 cm upwards or downwards. The seat should be used together with a seat cushion.

2) The height of the footrest (Fig. 7)

The footrest can be adjusted either upwards or downwards.

You should adjust the footrest at a height where your thighs are supported by the seat at the same time as your feet are supported by the footplates or foot support.

Adjusting the height of the footrest:

- 1) Remove the two screws supporting the footrest on the front of the frame using a 3 mm Allen key. Alt. Allen key 4 mm with foldable footplates.
- 2) You can then move the footrest up or down to fit into one of the fixed positions.
- 3) Securely tighten the two screws.

Models with Y.front

The footrest in standard configuration allows adjustment in the 4 lowest holes. To use the lowest position (the footrest in its highest position) you need to shorten the footrest with a saw. For more information, please contact Panthera.

3) The tension of the calf strap/heel strap (Fig. 8 and 9)

The tension of the calf strap and heel strap will determine how far forward you can place your feet on the foot support or footplates, respectively. The suitable tension depends largely on how long or short your legs are.

Adjusting the tension of the calf strap/heel strap (Fig. 8 and 9)

- 1) Loosen the calf strap/heel strap.
- 2) Place your feet on the foot support/footplates.
- 3) Adjust the tension of the calf strap/heel strap using the Velcro strap provided.

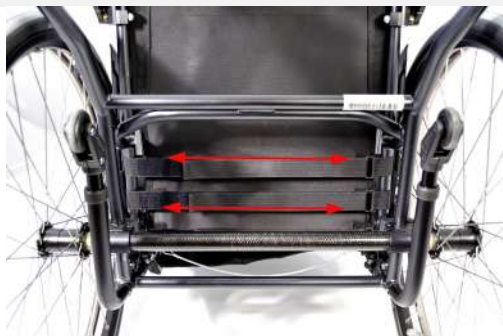


Fig. 6



Fig. 7

SETTINGS

4) The angle of the backrest (Fig. 10)

- 1) Deactivate the backrest locking function on both sides by pulling the wire (1).
- 2) Fold the backrest forwards.
- 3) Loosen the lock screws (2) a few rotations using a 4 mm Allen key. Repeat this process on the other side.
- 4) Turn the backrest lock casings (3) clockwise so that the lock faucet does not fix the backrest in place. Use the 19 mm cap key. Repeat this process on the other side.
- 5) Release the lock nuts (4) on both sides using the 17 mm cap key.
- 6) Adjust the angle of the backrest using the adjustment screws (5) on both sides. Using the 4 mm Allen key, unscrew the adjustment screws to tilt the backrest forwards. Tightening the adjustment screws will allow the backrest to tilt backwards. It is important to adjust both sides equally to avoid the backrest tubing becoming crooked. Test this by placing the backrest in the upright position and checking that both adjustment screws are touching the frame.
- 7) Experiment with suitable backrest angles before tightening the lock nuts (4) on both sides.
- 8) Place the backrest into the upright position.
- 9) Turn the backrest lock casings (3) so that the lock faucets spring out into their tracks. Use the 19 mm cap key.
- 10) Tighten the lock screws (2) on both sides using a 4 mm Allen key.



Fig. 8



Fig. 9

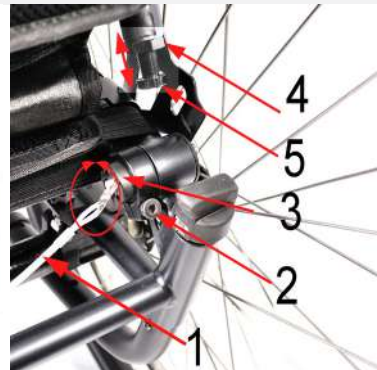


Fig. 10

SETTINGS

5) The tension of the backrest upholstery (Fig. 11)

You can adjust the backrest upholstery to suit the shape of your back using the straps located under the flap at the rear of the backrest. This provides good support to the small of the back.

The backrest upholstery also has a lower flap fastened with Velcro above the seat upholstery, under the seat cushion. This flap can be moved backwards or forwards to obtain the required tension in the lower section of the back upholstery (known as the seat bucket).

Adjusting the tension of the backrest upholstery:

- 1) Lift up the backrest upholstery's upper flap (1).
- 2) Loosen the bands.
- 3) Sit as far back in the chair as you can. If it feels as though you are not sitting far back enough in the chair, it may be because the backrest upholstery's lower flap is fastened too far forward on the seat. Loosen the flap (2) and then fasten it further back on the seat upholstery.
- 4) Tighten the bands to ensure you have the necessary support.
- 5) Fold down the backrest upholstery's upper flap (1).



6) The balance of the wheelchair (Fig. 12)

You can adjust the balance of the wheelchair by moving the rear wheel's rear axle either forwards or backwards – the further forward the rear axle is placed, the greater the wheelchair's rear balance. This is done in order to transfer more weight onto the rear wheel, making the chair lighter at the front. This makes the chair easier to manoeuvre and easier to tip up onto its rear wheels, for instance, when negotiating curbs, doorsteps and so on. However, the chair should not be balanced too far to the rear, as this increases the risk of the chair tipping backwards. It is important that you take time trying out a balance that suits your body and driving technique, so you can adapt the chair to be as easy to drive as possible without substantially increasing the risk of tipping.

You should always have someone standing behind you when you try out the chair after adjusting its balance.

If you still feel unsure about the balance of your chair having tested it thoroughly, you should use anti-tip devices. When extended, these devices eliminate the danger of tipping backwards and are easily retracted when you no longer need them.



Fig. 11



Fig. 12

SETTINGS

Adjusting the balance of the wheelchair (Fig. 12)

- 1) Remove the rear wheel by pressing the quick release button and pulling the wheel straight off.
- 2) Use the 15 mm cap key in order to loosen the lock screw (1). Repeat this process on the other side.
- 3) You will now be able to push the rear axle forward or backwards along the horizontal frame tubing. Continue until you find a suitable setting.
- 4) It is important that the rear axle is in the same forward position on both sides of the frame. This is most easily verified by measuring the distance between the rear end of the horizontal tubing and the rear end of the wheel attachment. See the two-way arrow in Fig. 11. Use a tape measure or ruler to ensure the distance is the same on both sides.
- 5) Tighten the lock screws (1) on both sides.
- 6) Reattach the rear wheels to the rear axle of the wheelchair and push in the wheels as far as possible. Check that the quick release button has sprung out, confirming the quick release is in locked position.
- 7) Pull the wheels outwards to ensure they are firmly attached.

7) Adjusting the brakes



Please note! The effectiveness of the brakes is affected when the air pressure drops, the tyres become worn or when changing to a different type of tyre. As a result, the brakes' settings should be checked from time to time.

Adjusting the one-hand brake (Fig. 13)

One-arm brake is activated by pulling lever (1) backwards until stop. Then both rear wheel are locked at the same time.

- 1) Use a 5 mm Allen key to loosen the one-hand brake's clamping bolts on both sides.
- 2) You will now be able to push the brake forwards and backwards along the chassis' seat tubing. Adjust the brake so that it presses around 4 mm into the tyre while in locked position.
- 3) Ensure that the brakes are in the same forward position on both sides of the chair.
- 4) Tighten the clamping bolt (2) using a 4 mm Allen key.



Fig. 13



Fig. 14

SETTINGS

Adjusting the high brake (Fig. 14)

High brake are activated by pushing lever (1) forward until stop. The the rear wheel ar locked. Repeat on the other side.

- 1) Use a 5 mm Allen key in order to loosen the lock screw (1).
- 2) You will now be able to push the brake forwards and backwards. Adjust the brake so that it presses around 4 mm into the tyre while in locked position. Tighten the lock screw (1) using a 5 mm Allen key.
- 3) Adjust the brake on the other side by following steps 1 to 3.

ACCESSORIES



Anti-tip devices (Fig. 15)

The two anti-tip devices are extremely important accessories which must be folded out and correctly adjusted in order provide adequate protection against the user tipping backwards. **NOTE!** You cannot use the anti-tip device with your feet to lift the front wheels to get over thresholds, curbs etc.

Folding out the anti-tip device:

1. Push the knob downwards (1).
2. Fold out the anti-tip device, pointing backwards (2).
3. Repeat on the other anti-tip device.

Adjusting the anti-tip device:

- 1) Back up the wheelchair against a wall, Check that the rear end of the anti-tip wheel (3) is in line with or behind the rear wheel, must not be in front of the rear wheel.
- 2) Adjust when needed (3) by setting the anti-tip device in one of the five positions (4)..

Folding in the anti-tip devices:

1. Push the knob downwards (1).
2. Fold the anti-tip device under the seat.
3. Repeat on the other anti-tip device.

Side guards (Fig. 16)

The side guards prevent clothing and loose items from becoming jammed in the wheelchair's spokes and also stop dirt from the wheels getting onto the user's clothing. The side guards are fitted with a soft upper section that folds down upon load, for example, when the user transfers to and from the wheelchair. You can place your hands on the side guards while pulling yourself up and down. The side guards can be removed, during transportation, for example, by pulling them up vertically to release them from their attachments.



Fig. 15



Fig. 16

ACCESSORIES

Armrests (Fig. 17)

The armrests can be adjusted both horizontally and vertically.

Adjusting the armrest horizontally:

1. Push and hold in the button on the inside of the armrest (1).
2. The armrest can be moved backwards and forwards while the button is pressed in.
3. Release the button at one of the 5 different positions.

Adjusting the armrest vertically:

1. Push and hold in the button on the outside of the armrest (2).
2. The armrest can be moved upwards and downwards while the button is pressed in.
3. Release the button at one of the 4 different positions.

The armrests can be removed, during transportation, for example, by pulling them up vertically to release them from their attachments.

Push handles (Fig. 18)

Push handles are used by assistants to drive the user in the wheelchair. The push handles can be adjusted vertically and they can also be folded in.

Adjusting the push handles vertically:

1. Pull the lever outwards (2).
2. The push handle can now be moved either upwards or downwards.
3. When reaching your desired position, fold the lever in.

Folding in the push handle:

1. Push and hold in the button on the upper section of the push handle (1).
2. When the button is pressed in, the push handle can be retracted.
3. Release the button.



Fig. 17



Fig. 18

ACCESSORIES

Push handles, foldable (Fig. 30)

Folding down the push handle:

1. Push and hold in the button on the upper section of the push handle.
2. When the button is pressed in, the push handle can be retracted.
3. Release the button.

Folding up the push handle

1. Lift the push handle until you hear a “click”



Fig. 30

Hip belt (Fig. 19)

A hip belt (positioning belt) may be fitted without affecting conformity to the CE Mark standard.

Hip belts can be fitted around the frame's tubing at one of the locations indicated in Fig. 19.

TRANSPORTATION

We would like to emphasise that, when transporting a wheelchair user in a vehicle, it is always preferable to transfer the user to a regular car seat secured by a seat belt.

The S3 and U3 models are crash tested and approved for transportation in mobility service vehicles. When travelling in vehicles, users may remain in their wheelchairs provided approved restraint systems and seatbelts are used, however, Panthera AB does not recommend this.

For information on securing the wheelchair during transportation while the user remains in the wheelchair, see page 17.



Fig. 19

TRANSPORTATION

Assembling and disassembling the wheelchair (Fig. 20 and 21)

When transporting the wheelchair, in a car, for example, the backrest can be folded and the rear wheel detached.

Lowering the backrest, Fig. 19:

- 1) Release the side guards and armrests, if necessary, and pull them up vertically.
- 2) Remove the seat cushion if necessary.
- 3) Pull the wire (1) and lower the backrest.

Detaching the rear wheel Fig. 20:

- 1) Push the quick release button (1).
- 2) Pull the wheel straight off.

Attaching the rear wheel, Fig. 20:

- 1) Push the quick release button (1).
- 2) Insert the wheel onto the rear axle and then push it in as far as possible.
- 3) Check that the button has sprung out (1), confirming the quick release is in locked position.
- 4) Pull the wheel outwards to ensure it is firmly attached.



Fig. 20



Fig. 21

TRANSPORTATION

Securing the wheelchair in a vehicle (Fig. 22 and 23)

During transportation, the wheelchair must always be facing in the direction of travel while the user is sitting in the chair.

An exception may be made if the vehicle is fitted with a device designed in accordance with Bus Directive 2001/85/EG, Appendix VII, Item 3.8.3. In such cases, the user may travel without a restraint system with the wheelchair facing in the opposite direction to which the vehicle is travelling.

The wheelchair must always be secured to the vehicle in four locations

Securing the wheelchair

- 1) Secure the straps around the tubing above the two castors. See Fig. 22.
- 2) Fasten the two straps around the rear axle. See Fig. 23. **Please note!** Do not attach metal hooks directly against the rear axle.
- 3) Pull the wheelchair backwards and fully tighten the rear straps to ensure the wheelchair is secured and cannot be moved forwards or backwards.
- 4) If the wheelchair is fitted with brakes, ensure these are activated.
- 5) We also recommend that the anti-tip devices are folded out.
- 6) Ensure that all straps and bands are fully fastened to the profile rail on the floor of the vehicle.
- 7) Check that all straps and belts have been tightened sufficiently



Fig. 22



Fig. 23

TRANSPORTATION

Securing the user (Fig. 24 and 25)

If the user remains in the wheelchair during transportation, we recommend that the backrest is level with or above the user's shoulders.

The user must be secured in the vehicle using a three-point seatbelt in order to minimise the risk of injury to the head or chest in conjunction with braking or potential collision.

The vehicle's seatbelt must remain in contact with the user's body. Seatbelts may not be separated from the user's body by any part of the wheelchair. See Fig. 24 and Fig. 25.

Unsecured accessories in the wheelchair must be removed in order to minimise the risk of injury to the user or fellow passengers.



Fig. 24

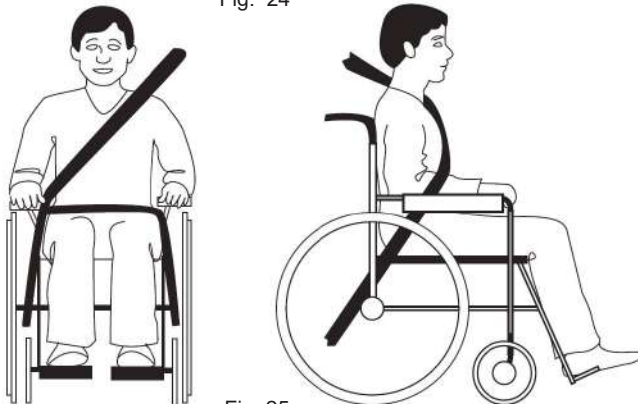


Fig. 25

CRASH TEST

The S3/U3 models have successfully undergone crash testing.

The Panthera S3/U3 models have been crash tested in accordance with ISO-7176-19:2008 and are thereby approved for transportation in service mobility vehicles. Crash testing was carried out by SP Technical Research Institute of Sweden. Date of test: 28/09/2015.

The following materials were used during crash testing:

Restraint system: HandiSecure HS01-A
User seatbelt: HandiSecure HS01-A three-point seatbelt with high deflector.
Test dummy: Hybrid III dummy (weight 76.3 kg)

For more information about seatbelts and restraint systems, contact the manufacture, Handicare.

Specification of wheelchair used for crash test

Full chassis (width 39 cm), Full backrest (width 39 cm, height 40 cm), Foot support (width 39 cm), Rear wheel (std 24" with titanium push rim), High brake, Anti-tip device, Side guards with cover, Cushion (width 39 cm, 2.5 cm).

Wheelchairs configured in any other way cannot be guaranteed to meet the requirements stipulated by ISO-7176-19:2008 and ISO-10542:2000.

MAINTENANCE

Your Panthera model was designed for rigorous daily use over a number of years, and as such, some parts must be regularly checked.

If using your wheelchair in more demanding environments, such as sand or saltwater, you must examine and clean your wheelchair more often than what is specified below.

Storage

When storing your wheelchair for four months or more, ensure it is kept in a dry, warm area. After storage, check the tyre air pressure and the condition of the upholstery.

Ongoing maintenance

For ongoing maintenance, you will need the following:

- car shampoo or detergent.
- degreasing agent (for removal of severe dirt).
- multi-purpose oil, for example, CRC 5-56.

Once a month, you must:

- Wipe the wheelchair chassis over with car shampoo or detergent using a damp cloth. To remove severe dirt, use a degreasing agent. After cleaning, lubricate all movable parts with oil.
- Clean the Castor fork casing (between the wheel and the fork). Hair and dust, etc. often accumulate here which can damage the bearing. Use a 4 mm Allen key in order to loosen the screw. Remove the bolt and detach the Castor. Clean the washers between the wheel and the fork and wipe the outside of the wheel bearing with a cloth. Apply a drop of oil to each bearing. When finished, reassemble the components.
- Lubricate the rear wheel's quick release. Remove the rear wheel by pressing the quick release button and pulling the wheel straight off. Distribute a few drops of oil over the quick releases at the hub of the rear axle. If you drive in rain, sand, salt or slush, or rarely remove the rear wheel, you should lubricate the quick releases more regularly.
- Pump up the tyres. Unscrew the cap from the tyres' air valves. Fill the tyres with air at the correct pressure using a suitable valve adaptor (see Technical facts).
- Check that all the screws and nuts are securely fastened. Tighten them where necessary.
- Ensure the wheelchair has not sustained any damage. In the event of damage, immediately contact your local supplier or the team at Panthera AB.

Twice a year, you must:

- Lubricate the movable parts of the brakes with a few drops of oil.
- Lubricate the bushing at the joint of the backrest. Use two 10 mm cap keys in order to hold down the bolts and loosen the nuts. Lubricate the bushings with a few drops of oil. When finished, reassemble the components.
- Wash the upholstery when necessary. Machine wash the seat upholstery, backrest upholstery and seat cushion cover at 40°C. Before washing, attach the male velcro to female to prevent the upholstery to get ruffled by the velcro.

Help with service and repair

For help with service and repair, contact your local supplier first (Assistance centre). You can also contact the team at Panthera AB if you wish.

Instructions for reconditioning can be downloaded at www.panthera.se

Replacement of wear parts (Fig. 26 and 27)

Wear parts such as tyres, inner tubes and Castors can be ordered from Panthera, with the work carried out at home for those able to do so. Otherwise, contact your wheelchair provider or Panthera.

www.panthera.se

To replace these yourself, do as follows:

Replacing tyres and inner tubes: (Fig. 26)

- 1) Order parts from Panthera in the correct dimension.
- 2) Remove the rear wheel by pressing the quick release button and pulling the wheel straight off.
- 3) Remove the tyre and inner tube using suitable tools. The method is the same as that used for changing the tyre and inner tube on a bicycle wheel.
- 4) Carefully fit the inner tube and tyre to ensure the inner tube is not punctured. Pump up the tyre.
- 5) Reattach the wheel to the wheelchair, taking care to ensure the quick release button springs out so the wheel is securely fastened to the hub. Pull the wheel outwards to ensure it is firmly attached. Spin the wheel to ensure the tyre has been fitted correctly and the wheel is completely circular.

Replacing Castors: (Fig. 27)

- 1) Order parts from Panthera in the correct dimension.
 - 2) Detach the Castor using a 4 mm Allen key. Observe how the Castors' bushings are mounted – there is a right (1) and a left (2) version.
 - 3) When attaching the new Castor, hold down both bushings using your thumb and index finger and then guide the Castor into the fork track.
- At reassembly of castor wheel after cleaning or service you should always check the bolt for thread locking (blue, red or green colour), which indicates sufficient thread locking. If the tread locking is missing, always order a new bolt or apply a small amount of weak thread locking.
- 4) Tighten fully using a 4 mm Allen key. Ensure that the Castor turns easily.



Fig. 26



Fig. 27

GUARANTEE AND LIFESPAN

Lifespan: The lifespan of a Panthera product depends on how much wear and tear it is exposed to and how thorough you are with maintenance.

When reaching the end of its lifespan, the wheelchair must be handed in to your wheelchair provider or Panthera AB to be recycled.

Guarantee

Panthera AB offers a five-year factory guarantee on the wheelchair chassis. For other parts there is a guarantee of 12 months (with the exception of wear parts).

- The guarantee covers product faults attributable to defects relating to design, material or manufacturing.
- The guarantee does NOT cover faults attributable to normal wear and tear, negligent maintenance, handling errors, incorrect storage, incorrect assembly on the part of the purchaser, adjustments and use of products from other supplies without obtaining Panthera AB's written consent or deterioration attributable to repairs carried out on the purchaser's own initiative.

Reuse

The Panthera S3/U3 models are suitable for reuse. Prior to being reused, the wheelchair must be cleaned, disinfected and dispatched to an authorised reseller for inspection.

CONFORMITY (Fig. 28 and 29)

Details of the wheelchair's conformity with standards can be found on the underside of the chassis at the front.

See page 3 for explanation of symbols.



Fig. 28



Fig. 29

TECHNICAL FACTS

S3						
Seat width (cm)	33	36	39	42	45	50
Total width	54	57	60	63	66	71**
Total length	78–90	78–90	78–90	78–90	78–90	78–90
Total height	64–84	64–84	64–84	64–84	64–84	64–84
Seat angle	7°	7°	7°	7°	7°	7°
Height of seat at rear	43	43	43	43	43	43
Height of seat at front	47	47	47	47	47	47
Depth of seat	40	40	40	40	40	40
Backrest angle	17,3-(-5)°	17,3-(-5)°	17,3-(-5)°	17,3-(-5)°	17,3-(-5)°	17,3-(-5)°
Diameter of rear wheel	24"	24"	24"	24"	24"	24"
Camber angle	2.2°	2.2°	2.2°	2.2°	2.2°	2.2°
Diameter of castor	120 mm	120 mm	120 mm	120 mm	120 mm	120 mm
Transport dimensions						
Width	46	49	52	55	58	63
Length	75	75	75	75	75	75
Height	50	50	50	50	50	50
Max inclination with brake	5°	5°	5°	5°	5°	5°
Total (g) *	8,200	8,280	8,360	8,440	8,690	8,785
Transport	4,650	4,730	4,810	4,900	5,130	5,220
Weight of user (kg)	100	100	100	100	150	150
Min turning space (cm)	90	90	90	90	90	90
Air pressure in tyres (bar/kPa)	8/800	8/800	8/800	8/800	8/800	8/800
Material: chassis/back-rest	Chrome molybdenum tubing					
Material: upholstery	Polyurethane coated polyester					
Upholstery and cushion have been fire tested in accordance with:	ISO 7176-16					
Wheelchair classification	B; indoor/outdoor					
* Weights were taken with brakes installed.						
** Seat width of 50 cm exceeds the total recommended width of the wheelchair in accordance with the standard. Bear this in mind at emergency exits.						

TECHNICAL FACTS

S3 SHORT						
Seat width (cm)	30	33	36	39	42	45
Total width	51	54	57	60	63	66
Total length	73–85	73–85	73–85	73–85	73–85	73–85
Total height	64–84	64–84	64–84	64–84	64–84	64–84
Seat angle	7°	7°	7°	7°	7°	7°
Height of seat at rear	43	43	43	43	43	43
Height of seat at front	47	47	47	47	47	47
Depth of seat	27–33	27–33	35	35	35	35
Backrest angle	17,3(-5)°	17,3(-5)°	17,3(-5)°	17,3(-5)°	17,3(-5)°	17,3(-5)°
Diameter of rear wheel	24"	24"	24"	24"	24"	24"
Camber angle	2.2°	2.2°	2.2°	2.2°	2.2°	2.2°
Diameter of Castor	120 mm	120 mm	120 mm	120 mm	120 mm	120 mm
Transport dimensions						
Width	43	46	49	52	55	58
Length	71	71	71	71	71	71
Height	50	50	50	50	50	50
Max inclination with brake	5°	5°	5°	5°	5°	5°
Total (g) *	8,050	8,130	8,220	8,310	8,400	8,620
Transport	4,490	4,570	4,660	4,750	4,840	4,967
Weight of user (kg)	100	100	100	100	100	150
Min turning space (cm)	85	85	85	85	85	85
Air pressure in tyres (bar/ kPa)	8/800	8/800	8/800	8/800	8/800	8/800
Material: chassis/back-rest	Chrome molybdenum tubing					
Material: upholstery	Polyurethane coated polyester					
Upholstery and cushion have been fire tested in accordance with:	ISO 7176-16					
Wheelchair classification	B; indoor/outdoor					
* Weights were taken with brakes installed.						

TECHNICAL FACTS

S3 SHORT LOW						
Seat width (cm)	30	33	36	39		
Total width	51	54	57	60		
Total length	73–85	73–85	73–85	73–85		
Total height	61,5-81,5	61,5-81,5	61,5-81,5	61,5-81,5		
Seat angle	7°	7°	7°	7°		
Height of seat at rear	40,5	40,5	40,5	40,5		
Height of seat at front	44,5	44,5	44,5	44,5		
Depth of seat	27–33	27–33	35	35		
Backrest angle	17,3-(-5)°	17,3-(-5)°	17,3-(-5)°	17,3-(-5)°		
Diameter of rear wheel	24"	24"	24"	24"		
Camber angle	2.2°	2.2°	2.2°	2.2°		
Diameter of Castor	120 mm	120 mm	120 mm	120 mm		
Transport dimensions						
Width	43	46	49	52		
Length	71	71	71	71		
Height	50	50	50	50		
Max inclination with brake	5°	5°	5°	5°		
Total (g) *	8,050	8,130	8,220	8,310		
Transport	4,490	4,570	4,660	4,750		
Weight of user (kg)	100	100	100	100		
Min turning space (cm)	85	85	85	85		
Air pressure in tyres (bar/ kPa)	8/800	8/800	8/800	8/800		
Material: chassis/back-rest	Chrome molybdenum tubing					
Material: upholstery	Polyurethane coated polyester					
Upholstery and cushion have been fire tested in accordance with:	ISO 7176-16					
Wheelchair classification	B; indoor/outdoor					
* Weights were taken with brakes installed.						

TECHNICAL FACTS

S3 LARGE						
Seat width (cm)			39	42	45	50
Total width			60	63	66	71**
Total length			83-95	83-95	83-95	83-95
Total height			66,5-86,5	66,5-86,5	66,5-86,5	66,5-86,5
Seat angle			7°	7°	7°	7°
Height of seat at rear			45,5	45,5	45,5	45,5
Height of seat at front			49,5	49,5	49,5	49,5
Depth of seat			45	45	45	45
Backrest angle			17,3-(-5)°	17,3-(-5)°	17,3-(-5)°	17,3-(-5)°
Diameter of rear wheel			24"	24"	24"	24"
Camber angle of rear wheel			2.2°	2.2°	2.2°	2.2°
Diameter of Castor			120 mm	120 mm	120 mm	120 mm
Transport dimensions						
Width			52	55	58	63
Length			75	75	75	75
Height			50	50	50	50
Max inclination with brake			5°	5°	5°	5°
Total (g) *			8,360	8,440	8,690	8,785
Transport			4,810	4,900	5,130	5,220
Weight of user (kg)			100	100	150	150
Min turning space (cm)			90	90	90	90
Air pressure in tyres (bar/kPa)			8/800	8/800	8/800	8/800
Material: chassis/backrest	Chrome molybdenum tubing					
Material: upholstery	Polyurethane coated polyester					
Upholstery and cushion have been fire tested in accordance with:	ISO 7176-16					
Wheelchair classification	B; indoor/outdoor					
* Weights were taken with brakes installed.						
** Seat width of 50 cm exceeds the total recommended width of the wheelchair in accordance with the standard. Bear this in mind at emergency exits.						

TECHNICAL FACTS

S3 0°						
Seat width (cm)	33	36	39	42	45	50
Total width	54	57	60	63	66	71**
Total length	84	84	84	84	84	84
Total height	64-84	64-84	64-84	64-84	64-84	64-84
Seat angle	0°	0°	0°	0°	0°	0°
Height of seat at rear	45	45	45	45	45	45
Height of seat at front	45	45	45	45	45	45
Depth of seat	35-42,5	35-42,5	35-42,5	35-42,5	35-42,5	35-42,5
Backrest height	20-45	20-45	20-45	20-45	20-45	20-45
Backrest angle	17,3-(-5)°	17,3-(-5)°	17,3-(-5)°	17,3-(-5)°	17,3-(-5)°	17,3-(-5)°
Diameter of rear wheel	24"	24"	24"	24"	24"	24"
Pushrim diameter	555 mm	555 mm	555 mm	555 mm	555 mm	555 mm
Camber angle	2,2°	2,2°	2,2°	2,2°	2,2°	2,2°
Diameter of Castor	120 mm	120 mm	120 mm	120 mm	120 mm	120 mm
Transport dimensions						
Width	46	49	52	55	58	63
Length	78	78	78	78	78	78
Height	44	44	44	44	44	44
Max inclination with brake	5°	5°	5°	5°	5°	5°
Total (g) *	8043	8180	8131	8219	8527	8935
Transport	4483	4571	4659	4747	4967	5375
Userweight (kg)	100	100	100	100	150	150
Min turning space (cm)	90	90	90	90	90	90
Air pressure in tyres (bar/ kPa)	8 / 800	8 / 800	8 / 800	8 / 800	8 / 800	8 / 800
Material: chassis/back-rest	Chrome molybdenum tubing					
Material: upholstery	Polyurethane coated polyester					
Upholstery and cushion have been fire tested in accordance with	ISO 7176-16					
Wheelchair classification	B; indoor/outdoor					
* Weights were taken with brakes installed.						
** Seat width of 50 cm exceeds the total recommended width of the wheelchair in accordance with the standard. Bear this in mind at emergency exits.						

TECHNICAL FACTS

S3 SHORT ABD						
Seat width (cm)	27	30	33			
Total width	55	58	61			
Total length	73-85	73-85	73-85			
Total height	64-84	64-84	64-84			
Seat angle	4°	4°	4°			
Height of seat at rear	43	43	43			
Height of seat at front	45	45	45			
Depth of seat	27-33	27-33	27-33			
Backrest height	20-45	20-45	20-45			
Backrest angle	17,3-(-5)°	17,3-(-5)°	17,3-(-5)°			
Rearwheel diameter	24"	24"	24"			
Pushrim diameter	555 mm	555 mm	555 mm			
Camber angle	2,2°	2,2°	2,2°			
Castor diameter	120 mm	120 mm	120 mm			
Transport dimensions						
Width	47	50	53			
Length	71	71	71			
Height	42	42	42			
Max inclination with brake	5°	5°	5°			
Total (g) *	7970	8050	8130			
Transport	4410	4490	4570			
Max user weight (kg)	100	100	100			
Min turning space (cm)	85	85	85			
Air pressure in tyres (bar/kPa)	8 / 800	8 / 800	8 / 800			
Material: chassis / backrest	Chrome molybdenum tubing					
Material: upholstery	Polyurethane coated polyester					
Upholstery and cushion have been fire tested in accordance with	ISO 7176-16					
Wheelchair classification	B; indoor/outdoor					
* Weights were taken with brakes installed.						

TECHNICAL FACTS

U3					
Seat width (cm)	33	36	39	42	45
Total width	54	57	60	63	66
Total length	84	84	84	84	84
Total height	64–84	64–84	64–84	64–84	64–84
Seat angle	7°	7°	7°	7°	7°
Height of seat at rear	43	43	43	43	43
Height of seat at front	47	47	47	47	47
Depth of seat	35–46	35–46	35–46	35–46	35–46
Backrest angle	17,3-(-5)°	17,3-(-5)°	17,3-(-5)°	17,3-(-5)°	17,3-(-5)°
Diameter of rear wheel	24"	24"	24"	24"	24"
Camber angle	2.2°	2.2°	2.2°	2.2°	2.2°
Diameter of Castor	90 mm	90 mm	90 mm	90 mm	90 mm
Transport dimensions					
Width	41	44	47	50	53
Length	78	78	78	78	78
Height	45	45	45	45	45
Max inclination with brake	5°	5°	5°	5°	5°
Total (g) *	8,043	8,131	8,219	8,307	8,527
Transport	4,483	4,571	4,659	4,747	4,967
Weight of user (kg)	100	100	100	100	150
Min turning space (cm)	90	90	90	90	90
Air pressure in tyres (bar/ kPa)	8/800	8/800	8/800	8/800	8/800
Material: chassis / backrest	Chrome molybdenum tubing				
Material: upholstery	Polyurethane coated polyester				
Upholstery and cushion have been fire tested in accordance with:	ISO 7176-16				
Wheelchair classification	B; indoor/outdoor				
* Weights were taken with brakes installed.					

TECHNICAL FACTS

U3 Y-FRONT						
Seat width (cm)	33	36	39	42	45	50
Total width	54	57	60	63	66	71
Total length	84	84	84	84	84	84
Total height	64-84	64-84	64-84	64-84	64-84	64-84
Seat angle	7°	7°	7°	7°	7°	7°
Height of seat at rear	43	43	43	43	43	43
Height of seat at front	47	47	47	47	47	47
Depth of seat	35-42,5	35-42,5	35-42,5	35-42,5	35-42,5	35-42,5
Backrest height	20-45	20-45	20-45	20-45	20-45	20-45
Backrest.angle	17,3-(-5)°	17,3-(-5)°	17,3-(-5)°	17,3-(-5)°	17,3-(-5)°	17,3-(-5)°
Diameter of rear wheel	24"	24"	24"	24"	24"	24"
Pushrim diameter	555 mm	555 mm	555 mm	555 mm	555 mm	555 mm
Camber angle	2,2°	2,2°	2,2°	2,2°	2,2°	2,2°
Diameter of Castor	90 mm	90 mm	90 mm	90 mm	90 mm	90 mm
Transport dimensions						
Width	41	44	47	50	53	58
Length	78	78	78	78	78	78
Height	45	45	45	45	45	45
Max inclination with brake	5°	5°	5°	5°	5°	5°
Total (g) *	8043	8180	8131	8219	8527	9335
Transport	4483	4571	4659	4747	4967	5375
Weight of user (kg)	100	100	100	100	150	150
Min turning space (cm)	90	90	90	90	90	90
Air pressure in tyres (bar/ kPa)	8 / 800	8 / 800	8 / 800	8 / 800	8 / 800	8 / 800
Material: chassis / backrest	Chrome molybdenum tubing					
Material: upholstery	Polyurethane coated polyester					
Upholstery and cushion have been fire tested in accordance with:	ISO 7176-16					
Wheelchair classification	B; indoor/outdoor					
* Weights were taken with brakes installed.						

TECHNICAL FACTS

U3 Y-FRONT SHORT						
Seat width (cm)	33	36	39	42	45	50
Total width	54	57	60	63	66	71
Total length	79	79	79	79	79	79
Total height	64-84	64-84	64-84	64-84	64-84	64-84
Seat angle	7°	7°	7°	7°	7°	7°
Height of seat at rear	43	43	43	43	43	43
Height of seat at front	47	47	47	47	47	47
Depth of seat	32,5-37,5	32,5-37,5	32,5-37,5	32,5-37,5	32,5-37,5	32,5-37,5
Backrest height	20-45	20-45	20-45	20-45	20-45	20-45
Backrest.angle	17,3-(-5)°	17,3-(-5)°	17,3-(-5)°	17,3-(-5)°	17,3-(-5)°	17,3-(-5)°
Diameter of rear wheel	24"	24"	24"	24"	24"	24"
Pushrim diameter	555 mm	555 mm	555 mm	555 mm	555 mm	555 mm
Camber angle	2,2°	2,2°	2,2°	2,2°	2,2°	2,2°
Diameter of Castor	90 mm	90 mm	90 mm	90 mm	90 mm	90 mm
Transport dimensions						
Width	41	44	47	50	53	58
Length	73	73	73	73	73	73
Height	45	45	45	45	45	45
Max inclination with brake	5°	5°	5°	5°	5°	5°
Total (g) *	8070	8160	8250	8340	8540	9360
Transport	4510	4600	4690	4780	4980	5400
Weight of user (kg)	100	100	100	100	150	150
Min turning space (cm)	90	90	90	90	90	90
Air pressure in tyres (bar/ kPa)	8 / 800	8 / 800	8 / 800	8 / 800	8 / 800	8 / 800
Material: chassis / backrest	Chrome molybdenum tubing					
Material: upholstery	Polyurethane coated polyester					
Upholstery and cushion have been fire tested in accordance with:	ISO 7176-16					
Wheelchair classification	B; indoor/outdoor					
* Weights were taken with brakes installed.						

Panthera AB, Gunnebogatan 26, SE-163 53 Spånga
+46 (0)8-761 50 40, www.panthera.se, panthera@panthera.se



can!

thea



Panthera AB, Gunnebogatan 26, SE-163 53 Spånga, Sweden
+46-8-761 50 40, www.panthera.se, panthera@panthera.se