

International TiLite T-Series Order Form

Effective July, 2021 (New Items in Red)

DUAL-TUBE RIGID FRAME

Page 1 of 8

DEALER INFORMATION		RTS INFORMATION	
Dealer:	Account #:	RTS:	Phone:
PO:	Ordered By:	Email:	
Email:		SHIP TO INFORMATION	
Mark For:	User Weight:	Name:	Ship Via:
TiLite Sales Rep:		Address:	
TiLite Information:	Promo Code:	City:	State: Zip:
Ship Date:	Order #:	Phone:	Fax:

More options and frame modifications may be available through our Creative Mobility Division! Please contact customer service for details or [click here](#) to view options.

Please Email or Fax to the Permobil Manual Customer Service Team at tilitesales@permobil.com or 866.586.2413 / 509.586.2413

FRAME STYLE	
ATFS1	<input type="checkbox"/> Aero T Aluminum Frame (Full Adjustability. 265 Pound Weight Limit. For Rear Seat Width A and Seat Depth B of 15" or greater, use K0005. For Rear Seat Width A and Seat Depth B of less than 15", use E1235.)..... £2,125
TAFS1	<input type="checkbox"/> TRA Titanium Frame (Full Adjustability. 265 Pound Weight Limit. For Rear Seat Width A and Seat Depth B of 15" or greater, use K0005. For Rear Seat Width A and Seat Depth B of less than 15", use E1235.)..... £2,891
TRFS1	<input type="checkbox"/> TR Titanium Frame Ultimate TiFIT (Minimal Adjustability. 265 Pound Weight Limit. For Rear Seat Width A and Seat Depth B of 15" or greater, use K0005. For Rear Seat Width A and Seat Depth B of less than 15", use E1235.)..... £3,083
THDR1	<input type="checkbox"/> Heavy Duty Frame (Not Available with TR Titanium Frame. 350 Pound Weight Limit. No charge when 20" Rear Seat Width A and 20" Seat Depth B are selected. Includes Tension Adjustable by Straps Back Upholstery. Requires Folding Aluminum Adjustable Height Backrest, Billet Aluminum Front Wheels, Shadow or Spinergy SPOX Rear Wheels. LX Rear Wheels only available with 0 or 2 degree camber. Not available with SuperLite Edition, Slipstream Fork, Velcro Adjustable Upholstery, Open Loop Footrest, V-Front Taper or Glide™ Forks.)..... £324
TQST1	<input type="checkbox"/> Q'Straint Adaptable Frame (350 Pound Weight Limit. No charge when 20" Rear Seat Width A and 20" Seat Depth B are selected. Includes Tension Adjustable by Straps Back Upholstery. Requires Folding Aluminum Adjustable Height Backrest, Billet Aluminum Front Wheels, Shadow or Spinergy SPOX Rear Wheels. LX Rear Wheels only available with 0 or 2 degree camber. Not available with SuperLite Edition, Slipstream Fork, Velcro Adjustable Upholstery, Open Loop Footrest, V-Front Taper or Glide™ Forks.)..... £324
TRFR1	<input type="checkbox"/> Reinforced Frame (No charge when 20" Rear Seat Width A and 20" B Seat Depth are selected.)..... £253

FRAME FINISHES	
TFF1	<input type="checkbox"/> Satin (Available with Titanium Frame only)..... STD <input type="checkbox"/> SCBT1 Satin Finish Buffing Pads..... £11
TFF3	<input type="checkbox"/> Tattooed Titanium™ (Tattoos on front frame tubes. Titanium frame finished in Satin. Tattoos will be trimmed and adjusted to fit your frame.)..... £257
TFF45	<input type="checkbox"/> Need for Speed <div style="display: inline-block; width: 150px; height: 20px; background: repeating-linear-gradient(45deg, transparent, transparent 2px, black 2px, black 4px);"></div>
TFF43	<input type="checkbox"/> Mosaic <div style="display: inline-block; width: 150px; height: 20px; background: repeating-linear-gradient(45deg, transparent, transparent 2px, black 2px, black 4px);"></div>
TFF44	<input type="checkbox"/> Flower Garden <div style="display: inline-block; width: 150px; height: 20px; background: repeating-linear-gradient(45deg, transparent, transparent 2px, black 2px, black 4px);"></div>

FRAME FINISHES	
High Gloss Paint	<input type="checkbox"/> TFF8 Super Wet Black <input type="checkbox"/> TFF10 TiLite Red <input type="checkbox"/> TFF29 Neon Pink
Metallic Paint	<input type="checkbox"/> TFF14 Ocean Blue Metallic <input type="checkbox"/> TFF15 Tangerine Metallic <input type="checkbox"/> TFF30 Acid Green Metallic
Pearlescent Paint	<input type="checkbox"/> TFF17 Midnight Blue Pearl <input type="checkbox"/> TFF18 White Pearl
Matte Paint	<input type="checkbox"/> TFF19 Black Lava <input type="checkbox"/> TFF27 Titanium Grey
Candy Paint	<input type="checkbox"/> TFF22 Ruby Red <input type="checkbox"/> TFF23 Azure Blue <input type="checkbox"/> TFF25 Electric Plum
Matte Textured Paint	<input type="checkbox"/> TFF40 Hyper Blue <input type="checkbox"/> TFF41 Flame Orange <input type="checkbox"/> TFF42 OD Green..... STD

COLOR ANODIZE PACKAGE	
(Color Anodize Package includes: Aluminum Camber Tube (Color Anodize not available with Power Adaptable Camber Tube), Camber Mount, Footrest Clamp, Caster Mount, Footrest Clamp, Caster Fork, Caster Cap and Agility Carbon Back clamps. If no anodize color is selected, the default will be black.)	
<input type="checkbox"/> TANO1 Black..... STD <input type="checkbox"/> TANO5 Sapphire	<input type="checkbox"/> TANO3 Red Pepper <input type="checkbox"/> TANO6 Burnt Orange <input type="checkbox"/> TANO8 Ultraviolet <input type="checkbox"/> TANO9 Fuchsia £127

TiFit: TAILORED INDIVIDUALIZED FRAME	
REAR SEAT WIDTH B Measure from outside of seat tube at back post to the outside of the opposite seat tube at back post.	
TSW1	<input type="checkbox"/> 12" <input type="checkbox"/> 13" <input type="checkbox"/> 14" <input type="checkbox"/> 15" <input type="checkbox"/> 16" <input type="checkbox"/> 17" <input type="checkbox"/> 18" <input type="checkbox"/> 19"..... STD
TSW2	<input type="checkbox"/> 20" (HCPCS code only applies to 20" Rear Seat Width B)..... £368



Permobil Ltd. Regus 6th Floor, Two Kingdom Street, Paddington, London, W2 6BD
 Email: info@permobil.co.uk
 Phone: +44 (0)1484 722 888
 VAT No: 780130457
 Company Reg. No: 4284728

International TiLite T-Series Order Form

TiFit: TAILORED INDIVIDUALIZED FRAME

FRONT SEAT WIDTH (SEAT TAPER) ① Measure from inside of front frame tube to inside of opposite front frame tube. (Required with V-Front End ⑩. Not Available with Standard Front End ⑪.)

- TFSW1 No Taper.....**STD**
- TFSW2 1" Taper (3" Narrower than Rear Seat Width ②. Includes Tension Adjustable by Straps Seat Upholstery.).....**£209**
- TFSW4 2" Taper (4" Narrower than Rear Seat Width ②. Includes Tension Adjustable by Straps Seat Upholstery.).....**£209**

SEAT DEPTH ② Measure from front of back post to the front edge of seat sling. Frame bend will start .5" in front of seat sling unless Custom Frame Depth is specified, or the combination of specifications affect the rolling dynamics of the chair.

- TSD1 12" 13" 14" 15" 16" 17" 18" 19".....**STD**
- TSD2 20".....**£388**
- TSD3 Custom Frame Depth: _____" Frame Depth Longer or Shorter Than Seat Depth (Measure from front of seat sling to beginning of frame bend. Ranges from 0.25" to 3" and can be given as specific as 1/4" increments. A negative Custom Frame Depth or specified above 3" may be available through our Creative Mobility Division. A Custom Frame Depth of 20" will have an additional charge).....**NCO**

ERGONOMIC SEAT ③ Measure from front of back post to beginning of upward bend of seat tube.

- TERG1 TR Ergonomic Seat (Not available with Tension Adjustable Bolt On Seat Upholstery)
 - 5" (12.7cm) 6" (15.2cm) 7" (17.8cm) 8" (20.3cm) 9" (22.9cm).....**£306**
- TERG2 Aero T and TRA Ergonomic Seat (Center of Gravity adjustment may be affected by this option. Not available with V-Front or Seat Taper, Seat Back that Locks When Folded, Desk Arms, Depth Adjustable Backrests, Fold Down Rigid Sideguards, Fendered Adjustable Sideguards, Solid Seat, Tension Adjustable Bolt On Seat Upholstery, or the Curve cushion.)
 - 6" (15.2cm) (Minimum Seat Depth ③ 12") 7" (17.8cm) (Minimum Seat Depth ③ 12")
 - 8" (20.3cm) (Minimum Seat Depth ③ 13")**£306**

FRONT SEAT HEIGHT ④ Measure from floor to top of seat tube at front edge of seat sling.

- TFSH1 15" (38.1cm) 16" (40.6cm) 16.5" (41.9cm) 17" (43.2cm) 17.5" (44.5cm)
- 18" (45.7cm) 18.5" (47cm) 19" (48.3cm) 19.5" (49.5cm) 20" (50.8cm)
- 20.5" (52.1cm) 21" (53.3cm).....**STD**

REAR SEAT HEIGHT ⑤ Measure from floor to top of seat tube at back post.

Rear Wheel Size	Rear Seat Height
20"	12.5"-20" (31.8-53.3 cm)
22"	13.5"-20" (34.3-53.3 cm)
24"	14.5"-20" (15" on AeroT/TRA) (36.8-53.3 cm)
25"	15.0"-20" (38.1-53.3 cm)
26"	15.5"-20" (38.1-53.3 cm)

- TRSH1 13" (33cm) 13.5" (34.3cm) 14" (35.6cm) 14.5" (36.8cm) 15" (38.1cm)
- 15.5" (39.4cm) 16" (40.6cm) 16.5" (41.9cm) 17" (43.2cm) 17.5" (44.5cm)
- 18" (45.7cm) 18.5" (47cm) 19" (48.3cm) 19.5" (49.5cm) 20" (50.8cm) ..
-**STD**

FRONT ANGLE ⑥ Measure from frame front to floor.

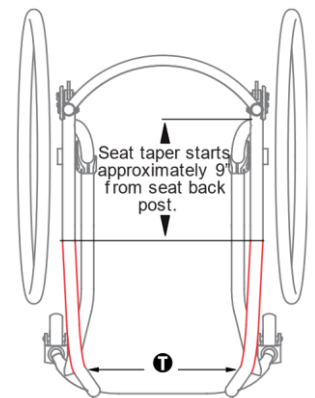
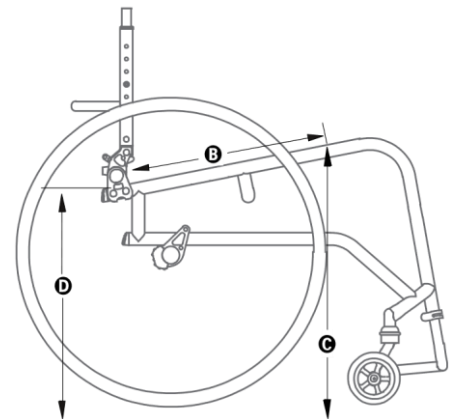
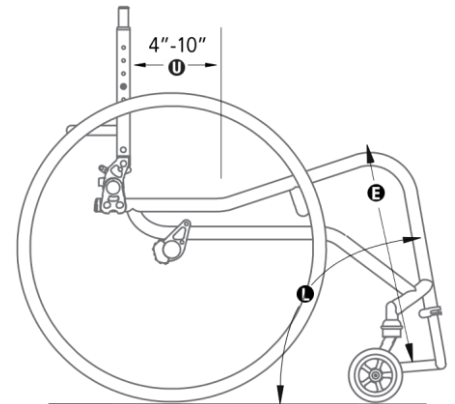
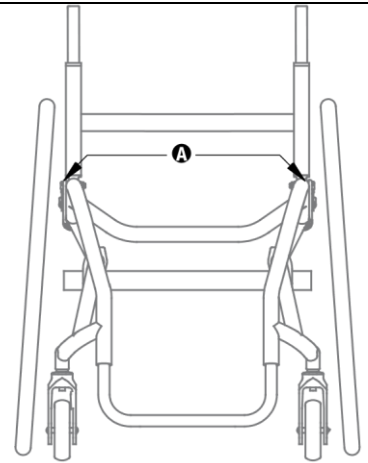
- TFA1 70° 75° 80° 85° (Not available with 6" Front Wheels.) 90° (Not available with 5" or 6" Front Wheels.).....**STD**

SEAT TO FOOTREST ⑦/FOOTRESTS Measure from front edge of seat sling to top rear of footrest.

Standard Footrests Measurement must be at least 2" shorter than Front Seat Height ④.

- 13.5" (34.3cm) 14" (35.6cm) 14.5" (36.8cm) 15" (38.1cm) 15.5" (39.4cm) 16" (40.6cm)
- 16.5" (41.9cm) 17" (43.2cm) 17.5" (44.5cm) 18" (45.7cm) 18.5" (47cm) 19" (48.3cm)

- TFTR3 Angle Adjustable Footrest.....**STD**
- TFTR1 Titanium Footrest w/Flat ABS Cover.....**£145**
- TFTR2 Titanium Open Loop Footrest.....**£194**
- TFTR12 Flip-Back Footrest (Not available with ABS Cover with 2" Sides or Front Roller.) ..**£160**
- High Mount Footrest**
- 7"-9" 9"-11" 11"-13" Set at _____ (Use 1/2" increments)
- TFTR4 Angle Adjustable High Mount Footrest.....**£75**



International TiLite T-Series Order Form

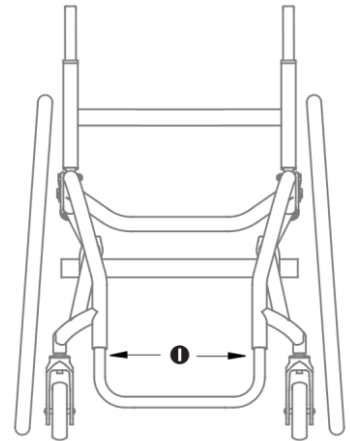
TiFit: TAILORED INDIVIDUALIZED FRAME

FOOTREST WIDTH **I** or **V** Select either a Standard Front End **I** if no Seat Taper **I** is selected or a V-Front End **V** if a Seat Taper **I** is selected.

STANDARD FRONT END I Find your Rear Seat Width **A** in the Chart below and select one of the options to the right. Measure from inside of front frame tube to inside of opposite front frame tube.

TFE1 **NO V-Front Taper**.....**STD**

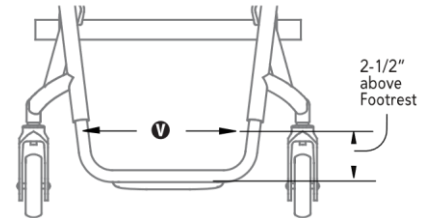
REAR SEAT WIDTH A (Outside Measurement)	FOOTREST WIDTH I		
	No Taper (2" Narrower than Rear Seat Width)	2" Taper (4" Narrower than Rear Seat Width)	4" Taper (6" Narrower than Rear Seat Width)
12"	<input type="checkbox"/> 10"	<input type="checkbox"/> 8"	
13"	<input type="checkbox"/> 11"	<input type="checkbox"/> 9"	
14"	<input type="checkbox"/> 12"	<input type="checkbox"/> 10"	<input type="checkbox"/> 8"
15"	<input type="checkbox"/> 13"	<input type="checkbox"/> 11"	<input type="checkbox"/> 9"
16"	<input type="checkbox"/> 14"	<input type="checkbox"/> 12"	<input type="checkbox"/> 10"
17"	<input type="checkbox"/> 15"	<input type="checkbox"/> 13"	<input type="checkbox"/> 11"
18"	<input type="checkbox"/> 16"	<input type="checkbox"/> 14"	<input type="checkbox"/> 12"
19"	<input type="checkbox"/> 17"	<input type="checkbox"/> 15"	<input type="checkbox"/> 13"
20"	<input type="checkbox"/> 18"	<input type="checkbox"/> 16"	<input type="checkbox"/> 14"



V-FRONT END V Measure from inside of front frame tube to inside of opposite front frame tube 2-1/2" above footrest. (Titanium Footrests have 1" of adjustment up and down. Not available with Ergonomic Seat frames. 1/2" increment settings available through Creative Mobility Division)

TFE2 **V-Front Taper**.....**£85**

- 9" (22.9cm)
- 10" (25.54cm)
- 11" (27.9cm)
- 12" (30.5cm)
- 13" (33cm)
- 14" (35.6cm)
- 15" (38.1cm)



BACK UPHOLSTERY

- TBUP2 Velcro Adjustable (Not available with Fold-Down Push Handles.).....**STD**
- Tension Adjustable by Straps** (Required with Fold-Down Push Handles.)
- TBUP3 Padded Nylon.....**£82**
- TBUP5 AIR Breathable Upholstery (Not available with Ultrasuede or NiteLite Backrest Stripe.).....**£145**
- TUPC3 Ultrasuede Backrest Stripe Black.....**£78**
- TBUP0 Omit Back Upholstery.....**NCO**

SEAT BACK TYPE/PUSH HANDLES/SEAT BACK HEIGHT G Measure from top of back post to top of seat tube at rear of frame.

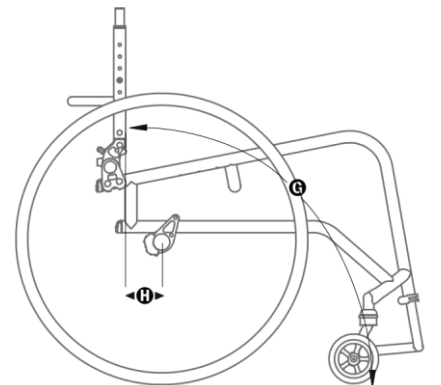
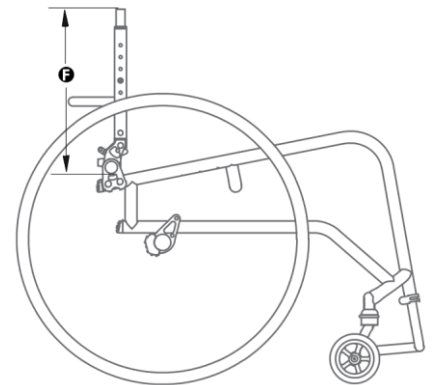
- TSB1 Folding Aluminum Adjustable Height w/Precision Lock Back**STD**
- TSB2 Folding Titanium Adjustable Height w/Precision Lock Back and Rounded Rigidizer Bar (Titanium back will match Frame Finish. Not available with Bolt-On Push Handles.).....**£145**
- TSB15 Non-Folding, Fixed Height Titanium with Rounded Rigidizer Bar (Not Available on Aero T or TRA. Titanium back will match Frame Finish. Not available with Push Handles.).....**£209**

TISHAFT™ BACK RELEASE BARS (Not available with Non-Folding, Fixed Height Titanium Back.)

- TSB3 Aluminum.....**STD**
- TSB5 Carbon Fiber.....**£52**

PUSH HANDLES

- TSB6 Integrated Push Handles.....**NCO**
- TSB7 Integrated Fold-Down Push Handles (Requires Tension Adjustable by Straps Back Upholstery.).....**£85**
- TSB8 Bolt-On Push Handles (Includes 4" Deep Backrest Rigidizer Bar. Not available with Ti Back.).....**£145**
- TSB9 Bolt-On Height-Adjustable Push Handles (Includes 4" Deep Backrest Rigidizer Bar. Not available with Ti Back.).....**£249**



International TiLite T-Series Order Form

TiFit: TAILORED INDIVIDUALIZED FRAME

FOLDING SEAT BACK HEIGHT (F) (TSB1 and TSB2)

Push Handles (Selected Above)	Short	Medium	Tall	Set at: (Use 1/2" increments)
None/ Bolt-On	<input type="checkbox"/> 9.5"-12.5"	<input type="checkbox"/> 13"-17.5"	<input type="checkbox"/> 17"-21.5"	Set at: _____
Integrated	<input type="checkbox"/> 11.5"-13.5"	<input type="checkbox"/> 14.5"-17.5"	<input type="checkbox"/> 18.5"-21.5"	Set at: _____
Integrated Fold-Down	<input type="checkbox"/> 14"-16.5"	<input type="checkbox"/> 15"-19.5"	<input type="checkbox"/> 19.5"-22"	Set at: _____

NON-FOLDING, FIXED-HEIGHT (G) TITANIUM SEAT BACK with Rounded Rigidizer Bar (TSB15) (Not available on Aero T or TRA. Titanium back will match Frame Finish. Required for fixed Side Guards. Not available with Swing Away Tubular or Swing Away - Flip Back Tubular Armrests and Integrated Push Handles, Integrated Fold-Down Push Handles or Bolt-On Height Adjustable Push Handles.)

- 5" (12.7cm) 5.5" (14cm) 6" (15.2cm) 6.5" (16.5cm) 7" (17.8cm) 7.5" (19.1cm) 8" (20.3cm)
- 8.5" (21.6cm) 9" (22.9cm) 9.5" (24.1cm) 10" (25.4cm) 10.5" (26.7cm) 11" (27.9cm) 11.5" (29.2cm)
- 12" (30.5cm) 12.5" (31.8cm) 13" (33cm) 13.5" (34.3cm) 14" (35.6cm) 14.5" (36.8cm) 15" (38.1cm)
- 15.5" (39.4cm) 16" (40.6cm) 16.5" (41.9cm) 17" (43.2cm) 17.5" (44.5cm) 18" (45.7cm) 18.5" (47cm)
- 19" (48.3cm) 19.5" (49.5cm) 20" (50.8cm)

AVAILABLE ON ALL BACKS

- TSB11 Backrest that Locks when Folded (Not available with Ergonomic Seat.).....**STD**
- TSB12 4" Deep Backrest Rigidizer Bar (Not available with a Non-Folding, Fixed Height Titanium Seat Back Type. 4" Deep Rigidizer Bar is NOT a rounded style rigidizer bar.).....**NCO**

SEAT BACK ANGLE (G) Measure angle from front of back post to floor.

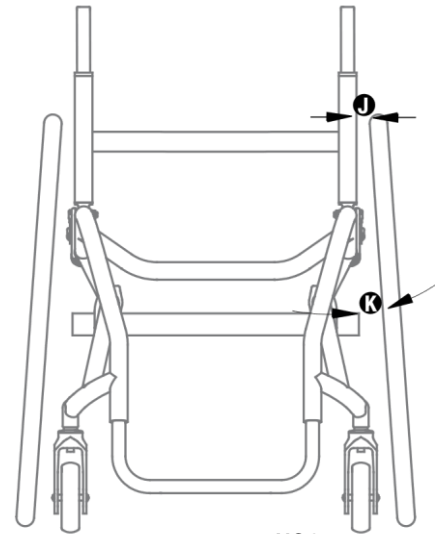
- TSBA1 **Folding Back**
 80° 83° 86° 89° 92° 95° 98° 101°.....**STD**
- TSBA1 **Non-Folding Back**
 80° 81° 82° 83° 84° 85° 86° 87° 88° 89° 90°
 91° 92° 93° 94° 95° 96° 97° 98° 99° 100° 101°.....**NCO**

CENTER OF GRAVITY (H) Measure from front of back post at the seat tube to the center of the rear axle. If no center of gravity is selected, chair will ship with the center of gravity in the rearward-most position.

- TCOG1 1" (2.5cm) 1.25" (3.2cm) 1.5" (3.8cm) 1.75" (4.4cm) 2" (5.1cm)
 2.25" (5.7cm) 2.5" (6.4cm) 2.75" (7cm) 3" (7.6cm) 3.25" (8.3cm)
 3.5" (8.9cm) 3.75" (9.5cm) 4" (10.2cm) 4.25" (10.8cm) 4.5" (11.4cm)
 4.75" (12.1cm) 5" (12.7cm).....**STD**

REAR WHEEL SPACING (I)/PLUGS Measure from outside of seat back post to inside of rear tire. TRA 0.75" Rear Wheel Spacing not available with 0° or 2° Camber (K). Ergonomic Seat selection may limit available center of gravity.

- TRWS1 0.75" 1" 1.25".....**STD**
- TCBR12 Adjustable Rear Wheel Spacing Camber Plugs (Not available with Power Adaptable Frame.).....**STD**
- TCBR9 Additional Spacers to Increase Rear Wheel Spacing.....**NCO**
- TCBR11 Zero Play Aluminum Camber Plugs (Not available with Power Adaptable Frame or more than 6° of Camber (K).).....**NCO**



SEAT UPHOLSTERY

- TSUP1 Tension Adjustable Bolt On (Not available with Ergonomic Seat or Tapered Seat (U). Black only.).....**STD**
- TSUP2 Tension Adjustable by Straps (Standard with Ergonomic Seat and FSW (Seat Taper) (U) of 1", 2" or 3". Black upholstery only.) **£127**
- TSUP8 Aluminum Solid Seat (Not available with 10" or 11" Rear Seat Width (A) or Ergonomic Seat (U).).....**£209**
- TSUP0 Omit Seat Upholstery.....**NCO**

CAMBER (K)/CAMBER TUBES

- TCBR1 0° 2° 4° 6° (8° of Camber (K) may be available through our Creative Mobility Division.).....**STD**
- TCBR15 Aluminum Camber Tube.....**STD**
- TCBR3 Titanium Camber Tube (Not available with Power Adaptable Frame.).....**£145**

CUSTOM CONFIGURATION OPTIONS

FRONT WHEELS

- TFW24 3"x1.5" LiteSpeed Billet Aluminum Wheel w/Soft Roll Tire Silver Hub **OR** Black Hub.....**£130**
- TFW14 4"x.75" Plastic Wheel w/Poly Tire (Not available with Slipstream Fork, Glide™ Single-Sided Fork or Power Adaptable Frame.).....**NCO**
- TFW3 4"x.75" Light-Up Micro-Caster (Not available with Slipstream Fork, Glide™ Single-Sided Fork or Power Adaptable Frame.).....**£60**
- TFW26 4"x1.5" LiteSpeed Plastic Wheel w/Soft Roll Tire (Not available with Power Assist, Power Add-on System or Heavy Duty Frame.).....**£70**
- TFW27 4"x1.5" LiteSpeed Billet Aluminum Wheel w/Soft Roll Tire Silver Hub **OR** Black Hub.....**£137**
- TFW6 5"x1" Plastic Wheel w/Poly Tire (Not available with 90° Front Angle (L), Slipstream Fork, Glide™ Single-Sided Fork or Power Adaptable Frame.).....**NCO**
- TFW28 5"x1.5" LiteSpeed Plastic Wheel w/Soft Roll Tire (Not available with 90° Front Angle (L) or Power Adaptable Frame.).....**£70**

International TiLite T-Series Order Form

Effective November, 2020 (New Items in Red)

DUAL-TUBE RIGID FRAME

Page 5 of 8

CUSTOM CONFIGURATION OPTIONS

TFW30	<input type="checkbox"/> 5"x1.5" LiteSpeed Billet Aluminum Wheel w/Soft Roll Tire <input type="checkbox"/> Silver Hub OR <input type="checkbox"/> Black Hub (Not available with 90° Front Angle ①.)	£152
TFW9	<input type="checkbox"/> 6"x1" Plastic Wheel w/Poly Tire (Not available with 85° or 90° Front Angle ①, Slipstream Fork, Glide™ Single-Sided Fork or Power Adaptable Frame.)	NCO
TFW32	<input type="checkbox"/> 6"x1.5" LiteSpeed Plastic Wheel w/Soft Roll Tire (Not available with 85° or 90° Front Angle ①, Slipstream Fork, Glide™ Single-Sided Fork or Power Adaptable Frame.)	£75
TFW33	<input type="checkbox"/> 6"x1.5" LiteSpeed Billet Aluminum Wheel w/Soft Roll Tire <input type="checkbox"/> Silver Hub OR <input type="checkbox"/> Black Hub (Not available with 85° or 90° Front Angle ①, Slipstream Fork, Glide™ Single-Sided Fork.)	£160

PRECISION LOCK FRONT FORKS

TFK1	<input type="checkbox"/> TiLite Standard Fork	STD
TFK2	<input type="checkbox"/> TiLite Slipstream Single-Sided Fork (Not available with Power Adaptable Frame.)	£145
TGL1	<input type="checkbox"/> Out-Front Glide™ Suspension Fork (Black anodize only.)	£358
Rider's Weight: <input type="checkbox"/> 125 lbs. <input type="checkbox"/> 125-180 lbs. <input type="checkbox"/> 180-265 lbs.		
TTFS1	<input type="checkbox"/> Titanium Fork Stem	£40

STANDARD REAR WHEELS (See Rear Seat Height Ranges Chart for Rear Seat Height ① limitations.)

TRW14	TiLite SHADOW™	STD
<input type="checkbox"/> 20"(451)		
<input type="checkbox"/> 22"(501)		
<input type="checkbox"/> 24"(540)		
<input type="checkbox"/> 25"(559) (Requires 15" minimum Seat Depth ③.)		
<input type="checkbox"/> 26"(590) (Requires 15" minimum Seat Depth ③.)		

PERFORMANCE REAR WHEELS (See Rear Seat Height Ranges Chart for Rear Seat Height ① limitations.)

TRW7	Spinergy SPOX <input type="checkbox"/> Black <input type="checkbox"/> Red <input type="checkbox"/> Yellow <input type="checkbox"/> Blue <input type="checkbox"/> White	£431
<input type="checkbox"/> 22"(501) - Std. Hub		
<input type="checkbox"/> 24"(540) - Std. Hub		
<input type="checkbox"/> 25"(559) - Std. Hub (Requires 15" minimum Seat Depth ③.)		
<input type="checkbox"/> 26"(590) - Sport Hub (Requires 15" minimum Seat Depth ③. Not available with Quad Release Axles.)		
TRW8	Spinergy LX <input type="checkbox"/> Black <input type="checkbox"/> Red <input type="checkbox"/> Blue <input type="checkbox"/> White <input type="checkbox"/> Bright Orange <input type="checkbox"/> Flamingo Pink	£628
<input type="checkbox"/> 22"(501) - Std. Hub		
<input type="checkbox"/> 24"(540) - Std. Hub		
<input type="checkbox"/> 25"(559) - Std. Hub (Requires 15" minimum Seat Depth ③.)		
<input type="checkbox"/> 26"(590) - Sport Hub (Requires 15" minimum Seat Depth ③. Not available with Quad Release Axles.)		
TRW16	Spinergy Carbon Blade (Not available with Heavy Duty Frame, Natural-Fit or Natural-Fit LT with Standard Grip or Super Grip.)	£953
<input type="checkbox"/> 24"(540)		
<input type="checkbox"/> 25"(559) (Requires 15" minimum Seat Depth ③.)		
TRW17	X-Core Mag (Not available with Heavy Duty Frame, Short Tabs, Quad Release Axles, Spoke Guards or Omit Handrims Option. Requires Aluminum Sliver Anodized Handrims.)	£82
<input type="checkbox"/> 20"(451)		
<input type="checkbox"/> 22"(501)		
<input type="checkbox"/> 24"(540)		

AXLES

TAXL1	<input type="checkbox"/> Stainless Quick Release	STD
TAXL2	<input type="checkbox"/> Titanium Quick Release	£186
TAXL3	<input type="checkbox"/> Quad Release (Not available with Mag or 26"(590) Spinergy Spox or LX Rear Wheels.)	£115

PNEUMATIC REAR TIRES

TRTR1	<input type="checkbox"/> Treaded (Not available with 25"(559) or 20"(451) Rear Wheels.)	STD
TRTR2	<input type="checkbox"/> Airless Inserts (Not available with Spinergy Carbon Blade Rear Wheels.)	£70
TRTR3	<input type="checkbox"/> 25"(559) Primo Treaded (Standard with 25"(559) Rear Wheels.)	STD
TRTR4	<input type="checkbox"/> Primo Slick	NCO
TRTR30	<input type="checkbox"/> 24"(540), 25"(559) and 26"(590) Primo Sentinel	£97
TRTR8	<input type="checkbox"/> 24"(540), 25"(559) and 26"(590) Schwalbe® Marathon Plus Evolution	£78
TRTR9	<input type="checkbox"/> 24"(540) and 25"(559) Schwalbe® Slick	£78
TRTR24	<input type="checkbox"/> 24"(540) Kenda Kobra Knobby	£60

SOLID REAR TIRES (Not available with Spinergy Carbon Blade Rear Wheels.)

TRTR22	<input type="checkbox"/> 20"(451), 22"(501), 24"(540) and 25"(559) Primo Express	£82
TRTR23	<input type="checkbox"/> 24"(540) and 25"(559) Primo Active	£100

HANDRIMS

Handrims by OUT-FRONT®

TRIM1	<input type="checkbox"/> Aluminum – Silver Anodized	STD
TRIM21	<input type="checkbox"/> Aluminum – Black Anodized (Not available with 20"(451) Rear Wheels.)	£40
TRIM12	<input type="checkbox"/> Titanium – Satin Finish (Not available with 20"(451) or 22"(501) Rear Wheels, or 24"(540) Knobby tires.)	£339

International TiLite T-Series Order Form

CUSTOM CONFIGURATION OPTIONS

TRIM10	<input type="checkbox"/> The Surge (All-In-One Oval with Gription™ Strip, Larger Profile) (Not available with 20"(451) Rear Wheels.)	£272
TRIM11	<input type="checkbox"/> The Surge LT (All-In-One Oval with Gription™ Strip, Smaller Profile) (Not available with 20"(451) Rear Wheels.)	£294
TRIM20	<input type="checkbox"/> Q-Grip (Exclusive High-Friction, Anti-Slip Coating) (Not available with 20"(451) Rear Wheels.)	£249
The Natural-Fit® (Original, Larger Profile) (Not available with 20"(451) Rear Wheels.)		
TRIM14	<input type="checkbox"/> Standard Grip (Not available with Short Tabs or Spinergy Carbon Blade Rear Wheels.)	£264
TRIM15	<input type="checkbox"/> Super Grip (Not available with Short Tabs or Spinergy Carbon Blade Rear Wheels.)	£298
TRIM16	<input type="checkbox"/> Without Thumb Grip	£246
The Natural-Fit® LT (Reduced Weight, Smaller Profile) (Not available with 20"(451) Rear Wheels.)		
TRIM17	<input type="checkbox"/> Standard Grip (Not available with Short Tabs or Spinergy Carbon Blade Rear Wheels.)	£286
TRIM18	<input type="checkbox"/> Super Grip (Not available with Short Tabs or Spinergy Carbon Blade Rear Wheels.)	£324
TRIM19	<input type="checkbox"/> Without Thumb Grip	£268
Additional Handrim Options		
TRIM5	<input type="checkbox"/> Plastic Coated – Black	£97
TRIM22	<input type="checkbox"/> Omit Handrims	NCO
Tab Length		
TRIM7	<input type="checkbox"/> Long Tabs	STD
TRIM8	<input type="checkbox"/> Short Tabs (Not available with Mag Rear Wheels or The Natural-Fit® Handrims with Thumb Grip.)	£15

WHEEL LOCKS

Wheel Locks by OUT-FRONT®

TWLK7	<input type="checkbox"/> Compact Composite Push to Lock (Available with .75" to 1.5" Rear Wheel Spacing ① only.)	NCO
TWLK8	<input type="checkbox"/> Compact Composite Pull to Lock (Available with .75" to 1.5" Rear Wheel Spacing ① only.)	NCO
TWLK10	<input type="checkbox"/> Extension Handles for Compact Composite Push/Pull to Lock	£67
TWLK9	<input type="checkbox"/> Composite Scissor Lock	£108
Additional Wheel Locks		
TWLK3	Uni-Lock Set At: <input type="checkbox"/> Push OR <input type="checkbox"/> Pull	£122
TWLK4	<input type="checkbox"/> Extension Handles for Uni-Lock	£67
TWLK15	<input type="checkbox"/> Grade Aids Push to Lock (Not available with solid rear tires)	£134

SIDE GUARDS

Aluminum

TSDG2	<input type="checkbox"/> Rigid Removable <input type="checkbox"/> Small OR <input type="checkbox"/> Std	£145
TSDG3	<input type="checkbox"/> Quad Removable w/Hole <input type="checkbox"/> Small OR <input type="checkbox"/> Std	£152
TSDG4	<input type="checkbox"/> Fold Down Rigid <input type="checkbox"/> Small OR <input type="checkbox"/> Std (Not available with Ergonomic Seat.)	£249
TSDG6	<input type="checkbox"/> Fendered Adjustable (Available with 24" and 25" Rear Wheels. Requires Rear Seat Height ② of 14.5" to 18.5").	£249

SIDE GUARDS (CONTINUED)

Carbon Fiber

TSDG7	<input type="checkbox"/> Rigid Removable <input type="checkbox"/> Small OR <input type="checkbox"/> Std	£227
TSDG8	<input type="checkbox"/> Quad Removable w/Hole <input type="checkbox"/> Small OR <input type="checkbox"/> Std	£234
TSDG9	<input type="checkbox"/> Fold Down Rigid <input type="checkbox"/> Small OR <input type="checkbox"/> Std (Not available with Ergonomic Seat or Carbon Edition.)	£339
TSDG11	<input type="checkbox"/> Fendered Adjustable (Available with 24" and 25" Rear Wheels. Requires Rear Seat Height ② of 14.5" to 18.5").	£335
TSDG12	<input type="checkbox"/> NEW Fendered Removable	£335

Available on Aluminum and Carbon Fiber Non-Fendered Side Guards

TSDG13	<input type="checkbox"/> Side Guards Custom Cut to Profile of Rear Wheels	£231
--------	---	------

ARMRESTS (Desk Arms come with built-in Side Guards.)

TARM1	Swing Away Tubular <input type="checkbox"/> 6.5" to 9.5" OR <input type="checkbox"/> 9.5" to 12.5" (Not Available with Non-Folding, Fixed Height Titanium Seat Back or Height Adjustable Push Handles.)	£160
TARM4	<input type="checkbox"/> Swing Away - Flip Back Tubular 8.5" to 11.5" (Not Available with Non-Folding, Fixed Height Titanium Seat Back.)	£231
TARM2	Removable Height Adjustable Desk Arm with Rigid Side Guard (Requires 14" minimum Seat Depth ③. Not available with Ergonomic Seat.)	£249
	<input type="checkbox"/> 9" to 12" OR <input type="checkbox"/> 12" to 15"	
	<input type="checkbox"/> Standard Length Pad (10") OR <input type="checkbox"/> Full Length Pad (14")	
TARM3	Removable Height Adjustable Desk Arm with Rigid Side Guard and Transfer Loop (Requires 15" minimum Seat Depth ③. Not Available with Ergonomic Seat.)	£272
	<input type="checkbox"/> 9" to 12" OR <input type="checkbox"/> 12" to 15"	
	<input type="checkbox"/> Standard Length Pad (10") OR <input type="checkbox"/> Full Length Pad (14")	

Available Armrest Option

TARM5	<input type="checkbox"/> Covered in Black Ultrasuede (Not available with Desk Arms)	£82
-------	---	-----

International TiLite T-Series Order Form

Effective November, 2020 (New Items in Red)

DUAL-TUBE RIGID FRAME

Page 7 of 8

CUSTOM CONFIGURATION OPTIONS

SEAT BELTS

TBLT1	<input type="checkbox"/> Velcro Adjustable, Black Nylon Webbing.....	£33
TBLT2	<input type="checkbox"/> Bodypoint® 2" Push-Button Buckle (Auto-Style.).....	£75
TBLT4	<input type="checkbox"/> Bodypoint® 1" Wide Push-Button Buckle Padded (Auto-Style.) (Not available with 19" or 20" Rear Seat Widths Ⓐ).....	£137
TBLT5	<input type="checkbox"/> Bodypoint® 1.5" Wide Push-Button Buckle Padded (Auto-Style.) (Not available with 19" or 20" Rear Seat Widths Ⓐ).....	£130
TBLT10	<input type="checkbox"/> Bodypoint® Optional Band Clamp Mounting Hardware.....	£15
TBLT16	<input type="checkbox"/> Bodypoint® EvoFlex® Pelvic Stabilizer Push Button.....	£142

CALF STRAP

TCLF2	Velcro Adjustable.....	£26
	<input type="checkbox"/> Small (Recommended for 9" - 12" Footrest Widths.)	
	<input type="checkbox"/> Medium (Recommended for 11" - 15" Footrest Widths.)	
	<input type="checkbox"/> Large (Recommended for 14" - 17" Footrest Widths.)	
	<input type="checkbox"/> Xtra Large (Recommended for 16" - 19" Footrest Widths.)	
TCLF3	Bodypoint® Padded Velcro Adjustable.....	£78
	<input type="checkbox"/> Medium (Recommended for 11" - 15" Footrest Widths.)	
	<input type="checkbox"/> Large (Recommended for 16" - 19" Footrest Widths.)	
TCLF1	<input type="checkbox"/> Buckle Adjustable, Black Nylon Webbing.....	£18

SEAT CUSHION (Cushions & Backrest are not available on EZ-Ti for UK customers these will be ordered separately to the chair)

	<input type="checkbox"/> Comfort Curve Cushion.....	£60
	<input type="checkbox"/> ROHO Airlite Cushion.....	£225
	<input type="checkbox"/> ROHO Quadro Select Low Profile.....	£482
	<input type="checkbox"/> ROHO Agility Min Contour Backrest...(other backrest options available on request).....	£515

BACKPACK

TBCK3	<input type="checkbox"/> Black Permobil Backpack.....	£70
-------	---	-----

SEAT POUCH

TPCH3	<input type="checkbox"/> Black Permobil Seat Pouch.....	£40
TPCH4	<input type="checkbox"/> Bodypoint® Mobility Bag.....	£78

SPOKE GUARDS

TGRD1	<input type="checkbox"/> Clear Lexan with TiMotion Logo (Not available with Mag Rear Wheels.).....	£97
-------	--	-----

ANTI-TIPS

TTIP1	<input type="checkbox"/> Rear Aluminum - Black.....	£119
TTIP7	<input type="checkbox"/> Black Aluminum Single.....	£55
	Mount on <input type="checkbox"/> Left Side or <input type="checkbox"/> Right Side.....	NCO
TTIP2	<input type="checkbox"/> User Friendly Flip-up (Not available with Frog Legs® Rear Suspension.).....	£249
TTIP8	<input type="checkbox"/> User Friendly Flip-up Single.....	£122
	Mount on <input type="checkbox"/> Left Side or <input type="checkbox"/> Right Side.....	NCO

ACCESSORIES

TUEST1	Upper Extremity Support Tray <input type="checkbox"/> 12" to 14" OR <input type="checkbox"/> 13" to 15" Seat Widths Ⓐ (Requires Armrests.).....	£212
TLUG1	<input type="checkbox"/> Luggage Carriers.....	£108
TMPCT2	Neoprene Impact Guards with Ultrasuede Stripe <input type="checkbox"/> Black.....	£78
TCH1	<input type="checkbox"/> Crutch Holder.....	£108


International TiLite T-Series Order Form

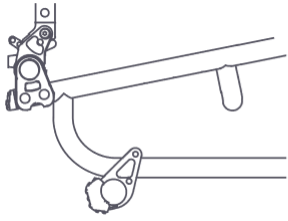
Effective November, 2020 (New Items in Red)

DUAL-TUBE RIGID FRAME

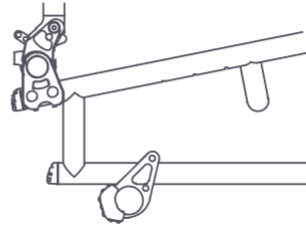
Page 8 of 8

FRAME NOTES

The rear frame for a TR will be square when the Center of Gravity  measurement is less than 3.5". Aero T and TRA will always be a Rounded Rear Frame.



A. Round Rear Frame



B. Square Rear Frame

GENERAL

More options and frame modifications may be available through our Creative Mobility Division! Please contact customer service for details or [click here](#) to view options.

Permobil manufactures TiLite manual wheelchairs in a wide variety of configurations to meet the varied needs of wheelchair users. The final selection of a particular model, its options and accessories, and its measurements rests solely with the wheelchair user and advising healthcare professional. These wheelchairs must be fitted by a qualified healthcare professional. HCPCS Codes are for reference purposes only. Actual coding and coverage varies by payer. Proper HCPCS coding is not a guarantee of payment. Please verify the appropriate payer's coverage policy.

Get the latest order forms at permobilus.com. Prices, standard features, options and accessories are subject to change without notice. All rights reserved. Trademarks are identified by symbols™ and ®. TiLite, TiFit, the TiLite logo, Ti, the Ti logo, and TiShaft are registered trademarks of TiSport, LLC and are licensed to Permobil. Permobil® is a registered trademark of Permobil. Adobe®, Acrobat®, Acrobat Professional® and Reader® are registered trademarks of Adobe Systems Inc. Bodypoint® is a registered trademark of Bodypoint Inc. Kenda® is a registered trademark of Kenda Rubber Industrial Co. Ltd. ROHO®, AGILITY®, Low Profile® and Quadro Select® are registered trademarks of ROHO Inc. Schwalbe® is a registered trademark of Ralf Bohle GmbH. The Natural-Fit® and Out-Front® are registered trademarks of Three Rivers Holdings, LLC. The ACTA-BACK®, ACTA-EMBRACE™, COMFORT-TEK™, COMPASS®, CURVE®, ELEMENTS®, and STRETCH AIR™ are registered trademarks of THE COMFORT COMPANY® and are licensed to Permobil. Q'Straint® is a registered trademark of Q'Straint Inc.

NOTES

QUOTE THIS CHAIR

If you are using Adobe Acrobat, this order form may be converted into a quote request or into an order by clicking one of the buttons (this feature is available exclusively to Permobil dealers and distributors). A Quote or an Order Confirmation will be sent to you within 24 hours.

ORDER THIS CHAIR