

# International TiLite Z-Series Order Form

DEALER INFORMATION		RTS INFORMATION	
Dealer:	Account #:	RTS:	Phone:
PO:	Ordered By:	Email:	
Email:		SHIP TO INFORMATION	
Mark For:	User Weight:	Name:	Ship Via:
TiLite Sales Rep:		Address:	
TiLite Information:	Promo Code:	City:	State: Zip:
Ship Date:	Order #:	Phone:	Fax:

More options and frame modifications may be available through our Creative Mobility Division! Please contact customer service for details or [click here](#) to view options.

Please Email or Fax to the Permobil Manual Customer Service Team at [tilitesales@permobil.com](mailto:tilitesales@permobil.com) or 866.586.2413 / 509.586.2413

### FRAME STYLE




AZFS1	<input type="checkbox"/> <b>Aero Z Aluminum Frame</b> (Full Adjustability. 265 Pound Weight Limit. 150 Pound Weight Limit for Rear Seat Width <b>A</b> and Seat Depth <b>B</b> of 10"x10" to 12"x12". For Rear Seat Width <b>A</b> and Seat Depth <b>B</b> of 15" or greater, use K0005. For Rear Seat Width <b>A</b> and Seat Depth <b>B</b> of less than 15", use E1235.).....	<b>£1,795</b>
Z2FS2	<input type="checkbox"/> <b>ZRA Titanium Frame</b> (Full Adjustability. 265 Pound Weight Limit. 150 Pound Weight Limit for Rear Seat Width <b>A</b> and Seat Depth <b>B</b> of 10"x10" to 12"x12". For Rear Seat Width <b>A</b> and Seat Depth <b>B</b> of 15" or greater, use K0005. For Rear Seat Width <b>A</b> and Seat Depth <b>B</b> of less than 15", use E1235.).....	<b>£2,540</b>
Z2FS1	<input type="checkbox"/> <b>ZR Titanium Frame Ultimate TiFIT</b> (Minimal Adjustability. 265 Pound Weight Limit. 150 Pound Weight Limit for Rear Seat Width <b>A</b> and Seat Depth <b>B</b> of 10"x10" to 12"x12". For Rear Seat Width <b>A</b> and Seat Depth <b>B</b> of 15" or greater, use K0005. For Rear Seat Width <b>A</b> and Seat Depth <b>B</b> of less than 15", use E1235.).....	<b>£2,795</b>
ZHDR1	<input type="checkbox"/> <b>Heavy Duty Frame</b> (Not available on Aero Z. Available on ZR and ZRA only. 300 Pound Weight Limit. No charge when 20" Rear Seat Width <b>A</b> and 20" Seat Depth <b>B</b> are selected. Includes Tension Adjustable by Straps Back Upholstery. Requires Folding Aluminum Adjustable Height Backrest, Billet Aluminum Front Wheels, Shadow or Spinergy SPOX Rear Wheels. LX Rear Wheels only available with 0 or 2 degree camber. Not available with SuperLite Edition, Slipstream Fork, Velcro Adjustable Upholstery, Swing Away Tubular Armrest or Swing Away Flip Back Tubular Armrest.).....	<b>£304</b>
ZRFR1	<input type="checkbox"/> <b>Reinforced Frame</b> (No charge when 20" Rear Seat Width <b>A</b> and 20" <b>B</b> Seat Depth are selected.).....	<b>£238</b>

### TRANSIT OPTION

(Please refer to the ZRA Transit Tie-Down Option Brochure for important information regarding the Transit Tie-Down Option. Not Available with ZR.)

ZTTDO3	<input type="checkbox"/> Transit Tie-Down (Consists of four Tie-Down Brackets, two Pelvic Belt Mounting Brackets and Reinforced Frame.).....	<b>£241</b>
ZWTB	<input type="checkbox"/> Transport Bracket Option (Consists of four Tie-Down Brackets. Unoccupied use only.).....	<b>£241</b>

### FRAME FINISHES

ZFF1	<input type="checkbox"/> Satin (Available with Titanium Frame only.).....	<b>STD</b>
ZSCBT1	<input type="checkbox"/> Satin Finish Buffing Pads.....	<b>£10</b>
ZFF3	<input type="checkbox"/> Tattooed Titanium™ and Aluminum (Tattoos on front frame tubes. Titanium frame finished in Satin. Aluminum frame is tattooed on blasted aluminum with a clear coat. Tattoos will be trimmed and adjusted to fit your frame.).....	<b>£241</b>
ZFF45	<input type="checkbox"/> Need for Speed	
ZFF43	<input type="checkbox"/> Mosaic	
ZFF44	<input type="checkbox"/> Flower Garden	

### FRAME FINISHES

<b>High Gloss Paint</b>	<input type="checkbox"/> ZFF8 Super Wet Black	<input type="checkbox"/> ZFF10 TiLite Red	<input type="checkbox"/> ZFF29 Neon Pink
<b>Metallic Paint</b>	<input type="checkbox"/> ZFF14 Ocean Blue Metallic	<input type="checkbox"/> ZFF15 Tangerine Metallic	<input type="checkbox"/> ZFF30 Acid Green Metallic
<b>Pearlescent Paint</b>	<input type="checkbox"/> ZFF17 Midnight Blue Pearl	<input type="checkbox"/> ZFF18 White Pearl	
<b>Matte Paint</b>	<input type="checkbox"/> ZFF19 Black Lava	<input type="checkbox"/> ZFF27 Titanium Grey	
<b>Candy Paint</b>	<input type="checkbox"/> ZFF22 Ruby Red	<input type="checkbox"/> ZFF23 Azure Blue	<input type="checkbox"/> ZFF25 Electric Plum
<b>Matte Textured Paint</b>	<input type="checkbox"/> ZFF40 Hyper Blue	<input type="checkbox"/> ZFF41 Flame Orange	<input type="checkbox"/> ZFF42 OD Green..... <b>STD</b>

### COLOR ANODIZE PACKAGE

(Color Anodize Package includes: Aluminum Camber Tube (Color Anodize not available with Power Adaptable Camber Tube), Camber Mount, Footrest Clamp, Caster Mount, Footrest Clamp, Caster Fork, Caster Cap and Agility Carbon Back clamps. If no anodize color is selected, the default will be black.)

<input type="checkbox"/> ZANO1 Black.....			<b>STD</b>
<input type="checkbox"/> ZANO5 Sapphire	<input type="checkbox"/> ZANO3 Red Pepper	<input type="checkbox"/> ZANO6 Burnt Orange	<input type="checkbox"/> ZANO8 Ultraviolet
<input type="checkbox"/> ZANO9 Fuchsia	<b>£119</b>		

# International TiLite Z-Series Order Form

## TiFit: TAILORED INDIVIDUALIZED FRAME

**REAR SEAT WIDTH**  $\emptyset$  Measure from outside of seat tube at back post to the outside of the opposite seat tube at back post.

- ZSW4  10" (25.4cm)  11" (27.9cm)  12" (30.5cm)  13" (33cm)  14" (35.6cm)  15" (38.1cm)  
 16" (40.6cm)  17" (43.2cm)  18" (45.7cm)  19" (48.3cm),..... **STD**  
 ZSW2  20" (HCPCS code only applies to 20" Rear Seat Width  $\emptyset$  ),..... **£366**

**FRONT SEAT WIDTH (SEAT TAPER)**  $\emptyset$  Measure from inside of front frame tube to inside of opposite front frame tube. (Required with V-Front End  $\emptyset$ . Not Available with Standard Front End  $\emptyset$ .)

- ZFSW1  No Taper (2.5" (6.4cm) Narrower than Rear Seat Width  $\emptyset$ ),..... **STD**  
 ZFSW3  1.5" (3.8cm) Taper (4" (10.2cm) Narrower than Rear Seat Width  $\emptyset$ . Includes Tension Adjustable by Straps Seat Upholstery. Not available with 10" (25.54m) and 11" (27.9cm) Seat Widths  $\emptyset$ ),..... **£196**

**SEAT DEPTH**  $\emptyset$  Measure from front of back post to the front edge of seat sling. Frame bend will start .5" in front of seat sling unless Custom Frame Depth is specified, or the combination of specifications affect the rolling dynamics of the chair.

- ZSD1  10" (25.4cm)  11" (27.9cm)  12" (30.5cm)  13" (33cm)  14" (35.6cm)  15" (38.1cm)  
 16" (40.6cm)  17" (43.2cm)  18" (45.7cm)  19" (48.3cm),..... **STD**  
 ZSD2  20" (50.8cm),..... **£364**  
 ZSD3  Custom Frame Depth: \_\_\_\_\_" Frame Depth Longer or Shorter Than Seat Depth  $\emptyset$  Measure from front of seat sling to beginning of frame bend. Ranges from 0.5" to 2" and can be given as specific as 1/4" increments. A Custom Frame Depth outside specified range may be available through our Creative Mobility Division. A Custom Frame Depth of 20" will have an additional charge.,..... **NCO**

**ERGONOMIC SEAT**  $\emptyset$  Measure from front of back post to beginning of upward bend of seat tube.

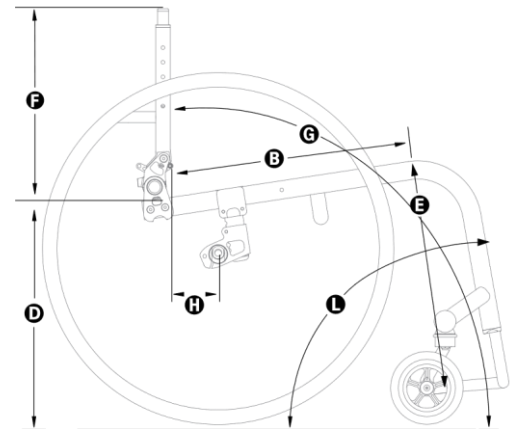
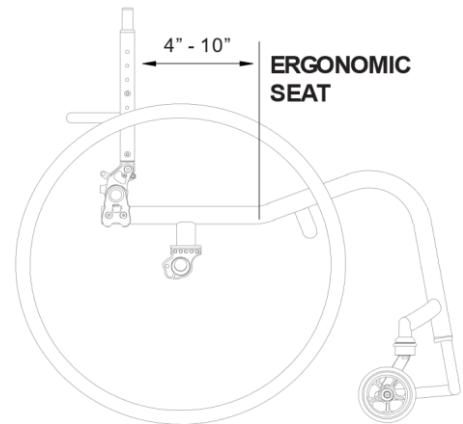
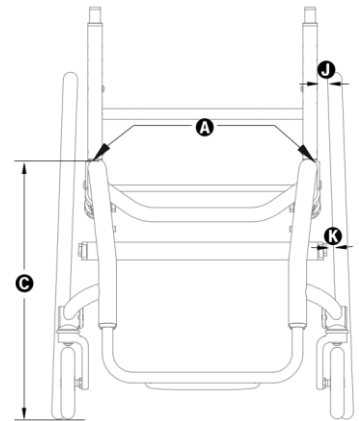
- ZERG1  ZR Ergonomic Seat (Not available with Tension Adjustable Bolt On Seat Upholstery)  
 5" (12.7cm)  6" (15.2cm)  7" (17.8cm)  8" (20.3cm)  9" (22.9cm),..... **£287**  
 ZERG2  Aero Z and ZRA Ergonomic Seat (Center of Gravity adjustment may be affected by this option. Not available with V-Front or Seat Taper, Seat Back that Locks When Folded, Desk Arms, Depth Adjustable Backrests, Fold Down Rigid Sideguards, Fendered Adjustable Sideguards, Solid Seat, Tension Adjustable Bolt On Seat Upholstery, or the Curve cushion.)  
 6" (15.2cm) (Minimum Seat Depth  $\emptyset$  12")  7" (17.8cm) (Minimum Seat Depth  $\emptyset$  12")  
 8" (20.3cm) (Minimum Seat Depth  $\emptyset$  13") ..... **£287**

**FRONT SEAT HEIGHT**  $\emptyset$  Measure from floor to top of seat tube at front edge of seat sling. ZRA adjusts up and down in .5" increments.

- ZFSH1  16" (40.6cm)  16.5" (41.9cm)  17" (43.2cm)  17.5" (44.5cm)  18" (45.7cm)  
 18.5" (47cm)  19" (48.3cm)  19.5" (49.5cm)  20" (50.8cm)  20.5" (52.1cm)  
 21" (53.3cm),..... **STD**

**REAR SEAT HEIGHT**  $\emptyset$  Measure from floor to top of seat tube at back post. ZRA adjusts up and down in 1/2" increments.

Rear Wheel Size	Rear Seat Height
20"	12.5" - 18.5" (31.8 - 47cm)
22"	14.0" - 19" (35.6 - 48.3cm)
24"	14.5" - 20" (36.8 - 50.8cm)
25"	14.5" - 20" (36.8 - 50.8cm)
26"	15.5" - 20" (39.4 - 50.8cm)



## TiFit: TAILORED INDIVIDUALIZED FRAME

- ZRSH1  12.5" (31.8cm)  13" (33cm)  13.5" (34.3cm)  14" (35.6cm)  14.5" (36.8cm)  15" (38.1cm)  
 15.5" (39.4cm)  16" (40.6cm)  16.5" (41.9cm)  17" (43.2cm)  17.5" (44.5cm)  18" (45.7cm)  18.5" (47cm)  
 19" (48.3cm)  19.5" (49.5cm)  20" (50.8cm),..... **STD**

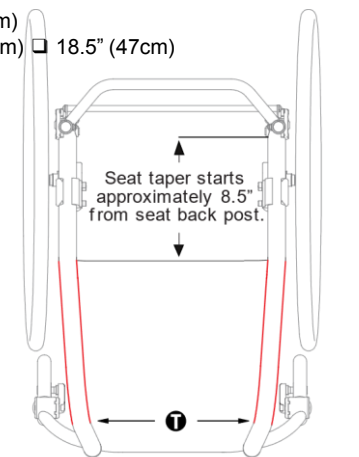
**FRONT ANGLE**  $\emptyset$  Measure from frame front to floor.

- ZFA1  70°  75°  80°  85° (Not available with 6" Front Wheels.)  90° (Not available with 5" or 6" Front Wheels.),..... **STD**

**SEAT TO FOOTEST**  $\emptyset$ /FOOTESTS Measure from front edge of seat sling to top rear of footrest.

**Standard Footrests** Measurement must be at least 2" shorter than Front Seat Height  $\emptyset$ .  
 13.5" (34.3cm)  14" (35.6cm)  14.5" (36.8cm)  15" (38.1cm)  15.5" (39.4cm)  16" (40.6cm)  
 16.5" (41.9cm)  17" (43.2cm)  17.5" (44.5cm)  18" (45.7cm)  18.5" (47cm)  19" (48.3cm)

- ZFTR3  Angle Adjustable Footrest,..... **STD**  
 ZFTR1  Titanium Footrest w/Flat ABS Cover,..... **£136**  
 ZFTR2  Titanium Open Loop Footrest,..... **£182**



# International TiLite Z-Series Order Form

## TiFit: TAILORED INDIVIDUALIZED FRAME

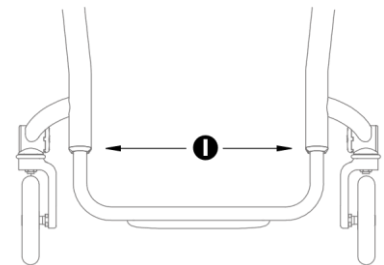
- ZFTR12  Flip-Back Footrest (Not available with 10" or 11" Rear Seat Width **A**, Heavy Duty Frame, ABS Cover with 2" Sides or Front Roller.).....**£151**  
**High Mount Footrest**  
 7"-9"  9"-11"  11"-13" Set at \_\_\_\_\_ (Use 1/2" increments)  
 ZFTR4  Angle Adjustable High Mount Footrest.....**£70**

**FOOTREST WIDTH** **I** or **V** Select either a Standard Front End **I** if no Seat Taper **I** is selected or a V-Front End **V** if a Seat Taper **I** is selected.

**STANDARD FRONT END I** Find your Rear Seat Width **A** in the Chart below and select one of the options to the right. Measure from inside of front frame tube to inside of opposite front frame tube. (Not available with Front Seat Width (Seat Taper) **I**.)

- ZFE1  **NO V-Front Taper** (Required when both Heavy Duty Frame and Seat Taper **I** are selected.).....**STD**

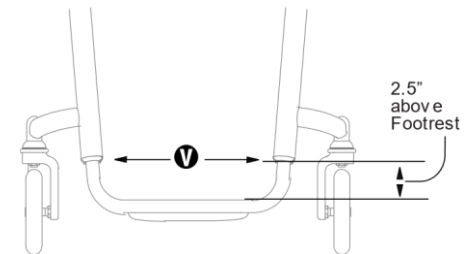
REAR SEAT WIDTH <b>I</b> (Outside Measurement)	FOOTREST WIDTH <b>I</b>		
	No Taper (2.5" Narrower than Rear Seat Width)	1.5" Taper (4" Narrower than Rear Seat Width)	3.5" Taper (6" Narrower than Rear Seat Width)
10"	<input type="checkbox"/> 7.5"		
11"	<input type="checkbox"/> 8.5"		
12"	<input type="checkbox"/> 9.5"	<input type="checkbox"/> 8"	
13"	<input type="checkbox"/> 10.5"	<input type="checkbox"/> 9"	
14"	<input type="checkbox"/> 11.5"	<input type="checkbox"/> 10"	
15"	<input type="checkbox"/> 12.5"	<input type="checkbox"/> 11"	<input type="checkbox"/> 9"
16"	<input type="checkbox"/> 13.5"	<input type="checkbox"/> 12"	<input type="checkbox"/> 10"
17"	<input type="checkbox"/> 14.5"	<input type="checkbox"/> 13"	<input type="checkbox"/> 11"
18"	<input type="checkbox"/> 15.5"	<input type="checkbox"/> 14"	<input type="checkbox"/> 12"
19"	<input type="checkbox"/> 16.5"	<input type="checkbox"/> 15"	<input type="checkbox"/> 13"
20"	<input type="checkbox"/> 17.5"	<input type="checkbox"/> 16"	<input type="checkbox"/> 14"



OR

**V-FRONT END V** Measure from inside of front frame tube to inside of opposite front frame tube 2-1/2" above footrest. (Required with Front Seat Taper **I**. Titanium Footrests have 1" of adjustment up and down. Not available with Ergonomic Seat frames.)

- ZFE2  V-Front Taper.....**£80**  
 9" (22.9cm)  10" (25.54cm)  11" (27.9cm)  
 12" (30.5cm)  13" (33cm)  14" (35.6cm)  
 15" (38.1cm)



## BACK UPHOLSTERY

- ZBUP2  Velcro Adjustable (Not available with Fold-Down Push Handles.).....**STD**  
**Tension Adjustable by Straps** (Required with Fold-Down Push Handles.)  
 ZBUP3  Padded Nylon.....**£77**  
 ZBUP5  AIR Breathable Upholstery (Not available with Ultrasuede Backrest Stripe.).....**£136**  
 ZUPC3 Ultrasuede Backrest Stripe  Black.....**£73**  
 ZBUP0  Omit Back Upholstery.....**NCO**

**SEAT BACK TYPE/PUSH HANDLES/SEAT BACK HEIGHT I** Measure from top of back post to top of seat tube at rear of frame.

- ZSB1  Folding Aluminum Adjustable Height w/Precision Lock Back (Required for Heavy Duty Frame.).....**STD**  
 ZSB2  Folding Titanium Adjustable Height w/Precision Lock Back and Rounded Rigidizer Bar (Titanium back will match Frame Finish. Not available with Bolt-On Push Handles.).....**£136**  
 ZSB15  Non-Folding, Fixed Height Titanium with New Rounded Rigidizer Bar (Not Available with Aero Z, ZRA or Transport bracket. Titanium back will match Frame Finish.).....**£196**

**TISHAFT™ BACK RELEASE BARS** (Not available with Non-Folding, Fixed Height Titanium Back.)

- ZSB3  Aluminum.....**STD**  
 ZSB5  Carbon Fiber.....**£49**

## PUSH HANDLES

- ZSB6  Integrated Push Handles.....**NCO**  
 ZSB7  Integrated Fold-Down Push Handles (Requires Tension Adjustable by Straps Back Upholstery.).....**£80**  
 ZSB8  Bolt-On Push Handles (Includes 4" Deep Backrest Rigidizer Bar. Not available with Ti Back.).....**£136**  
 ZSB9  Bolt-On Height-Adjustable Push Handles (Includes 4" Deep Backrest Rigidizer Bar. Not available with Ti Back.).....**£234**

# International TiLite Z-Series Order Form

## TiFit: TAILORED INDIVIDUALIZED FRAME

### FOLDING SEAT BACK HEIGHT Ⓕ (ZSB1 and ZSB2)

Push Handles (Selected Above)	Short	Medium	Tall	Set at: (Use 1/2" increments)
None/ Bolt-On	<input type="checkbox"/> 9.5"-12.5" (24.1-31.7cm)	<input type="checkbox"/> 13"-17.5" (33.0-44.4cm)	<input type="checkbox"/> 17"-21.5" (33.0-44.4cm)	Set at: _____
Integrated	<input type="checkbox"/> 11.5"-13.5" (29.2-34.2cm)	<input type="checkbox"/> 14.5"-17.5" (36.8-44.4cm)	<input type="checkbox"/> 18.5"-21.5" (46.9-54.6cm)	Set at: _____
Integrated Fold-Down	<input type="checkbox"/> 14"-16" (35.5-40.6cm)	<input type="checkbox"/> 15.5"-19.5" (39.3-49.5cm)	<input type="checkbox"/> 19.5"-22" (49.5-55.8cm)	Set at: _____

**NON-FOLDING, FIXED-HEIGHT Ⓕ TITANIUM SEAT BACK** with Rounded Rigidizer Bar (ZSB15) (Titanium back will match Frame Finish. Required for fixed Side Guards. Not available with Aero Z, ZRA, Swing Away Tubular or Swing Away - Flip Back Tubular Armrests and Integrated Push Handles, Integrated Fold-Down Push Handles or Bolt-On Height Adjustable Push Handles.)

- 8" (20.3cm)  
  8.5" (21.6cm)  
  9" (22.9cm)  
  9.5" (24.1cm)  
  10" (25.4cm)  
  10.5" (26.7cm)  
  11" (27.9cm)  
  11.5" (29.2cm)  
  12" (30.5cm)  
  12.5" (31.8cm)  
  13" (33cm)  
  13.5" (34.3cm)  
  14" (35.6)  
  14.5" (36.8cm)  
  15" (38.1cm)  
  15.5" (39.4cm)  
  16" (40.6cm)  
  16.5" (41.9cm)  
  17" (43.2cm)  
  17.5" (44.5cm)  
  18" (45.7cm)  
  18.5" (47cm)  
  19" (48.3cm)  
  19.5" (49.5cm)  
  20" (50.8cm)

### AVAILABLE ON ALL BACKS

- ZSB11    Backrest that Locks when Folded (Not available with Ergonomic Seat.).....**STD**  
 ZSB12    4" (10 cm) Deep Backrest Rigidizer Bar (Required with Heavy Duty Frame. Not available with a Non-Folding, Fixed Height Titanium Seat Back Type. 4" Deep Rigidizer Bar is NOT a rounded style rigidizer bar.).....**NCO**  
 ZSB16    Depth Adjustable Back/Frame (Seat Depths Ⓕ of 10"-18" allow 2" of rearward adjustment. Height Adjustable Push Handles have a limited height range with Depth Adjustable Back. Not Available with 19" or 20" Seat Depths Ⓕ, Heavy Duty Frame, Tension Adjustable By Straps Seat Upholstery or Carbon Fiber Side Guards.).....**£143**

### SEAT BACK ANGLE Ⓖ Measure angle from front of back post to floor.

- ZSBA1   **Folding Back**  
 80°    83°    86°    89°    92°    95°    98°    101° .....**STD**  
 ZSBA1   **Non-Folding Back**  
 80°    81°    82°    83°    84°    85°    86°    87°    88°    89°    90°    91°    92°    93°    94°    95°    96°    97°    98°    99°    100°    101° .....**NCO**

### CENTER OF GRAVITY Ⓕ Measure from front of back post at the seat tube to the center of the rear axle. If no center of gravity is selected, chair will ship with the center of gravity in the rearward-most position.

- ZCOG1    0"    .25" (.6cm)    .5" (1.3cm)    .75" (1.9cm)    1" (2.5cm)    1.25" (3.2cm)    1.5" (3.8cm)    1.75" (4.4cm)    2" (5.1cm)    2.25" (5.7cm)    2.5" (6.4cm)    2.75" (7cm)    3" (7.6cm)    3.25" (8.3cm)    3.5" (8.9cm)    3.75" (9.5cm)    4" (10.2cm)    4.25" (10.8cm)    4.5" (11.4cm)    4.75" (12.1cm)    5" (12.7cm) .....**STD**

### REAR WHEEL SPACING Ⓕ/PLUGS Measure from outside of seat back post to inside of rear tire. 0.5" Rear Wheel Spacing on ZR not available with 0° or 2° Camber. ZRA 0.75" Rear Wheel Spacing not available with 0° or 2° Camber Ⓕ. Ergonomic Seat selection may limit available center of gravity.

- ZRWS1    .75" (1.9cm)    1" (2.5cm)    1.25" (3.2cm) .....**STD**  
 ZCBR12    Adjustable Rear Wheel Spacing Camber Plugs (Not available with Power Adaptable Frame.).....**STD**  
 ZCBR9    Additional Spacers to Increase Rear Wheel Spacing.....**NCO**  
 ZCBR11    Zero Play Aluminum Camber Plugs (Not available with Power Adaptable Frame or more than 6° of Camber Ⓕ.).....**NCO**

### SEAT UPHOLSTERY

- ZSUP1    Tension Adjustable Bolt On (Not available with Ergonomic Seat or Tapered Seat Ⓕ. Black only.).....**STD**  
 ZSUP2    Tension Adjustable by Straps (Standard with Ergonomic Seat and Front Seat Width (Seat Taper) Ⓕ of 1", 2" or 3". Black upholstery only.).....**£119**  
 ZSUP8    Aluminum Solid Seat (Not available with 10" or 11" Rear Seat Width Ⓕ or Ergonomic Seat Ⓕ.).....**£196**  
 ZSUP0    Omit Seat.....**NCO**

### CAMBER Ⓕ/CAMBER TUBES

- ZCBR1    0°    2°    4°    6° (More than 0° of Camber Ⓕ is not available with the Power Adaptable Frame. 8° of Camber Ⓕ may be available through our Creative Mobility Division.).....**STD**  
 ZCBR15    Aluminum Camber Tube.....**STD**  
 ZCBR3    Titanium Camber Tube (Not available with Power Adaptable Frame.) .....**£136**

## CUSTOM CONFIGURATION OPTIONS

### FRONT WHEELS

- ZFW24    3"x1.5" LiteSpeed Billet Aluminum Wheel w/Soft Roll Tire    Silver Hub **OR**    Black Hub.....**£122**  
 ZFW14    4"x.75" Plastic Wheel w/Poly Tire (Not available with Slipstream Fork, Glide™ Single-Sided Fork or Power Adaptable Frame.).....**NCO**  
 ZFW3    4"x.75" Light-Up Micro-Caster (Not available with Slipstream Fork, Glide™ Single-Sided Fork or Power Adaptable Frame.).....**£56**  
 ZFW26    4"x1.5" LiteSpeed Plastic Wheel w/Soft Roll Tire (Not available with Power Assist, Power Add-on System or Heavy Duty Frame.).....**£66**  
 ZFW27    4"x1.5" LiteSpeed Billet Aluminum Wheel w/Soft Roll Tire    Silver Hub **OR**    Black Hub.....**£129**  
 ZFW6    5"x1" Plastic Wheel w/Poly Tire (Not available with 90° Front Angle Ⓕ, Slipstream Fork, Glide™ Single-Sided Fork or Power Adaptable Frame.).....**NCO**  
 ZFW28    5"x1.5" LiteSpeed Plastic Wheel w/Soft Roll Tire (Not available with 90° Front Angle Ⓕ or Power Adaptable Frame.).....**£66**  
 ZFW30    5"x1.5" LiteSpeed Billet Aluminum Wheel w/Soft Roll Tire    Silver Hub **OR**    Black Hub (Not available with 90° Front Angle Ⓕ.).....**£143**

# International TiLite Z-Series Order Form

## CUSTOM CONFIGURATION OPTIONS

ZFW9	<input type="checkbox"/> 6"x1" Plastic Wheel w/Poly Tire (Not available with 85° or 90° Front Angle <b>Ⓛ</b> , Slipstream Fork, Glide™ Single-Sided Fork or Power Adaptable Frame.).....	NCO
ZFW32	<input type="checkbox"/> 6"x1.5" LiteSpeed Plastic Wheel w/Soft Roll Tire (Not available with 85° or 90° Front Angle <b>Ⓛ</b> , Slipstream Fork, Glide™ Single-Sided Fork or Power Adaptable Frame.).....	£70
ZFW33	<input type="checkbox"/> 6"x1.5" LiteSpeed Billet Aluminum Wheel w/Soft Roll Tire <input type="checkbox"/> Silver Hub <b>OR</b> <input type="checkbox"/> Black Hub (Not available with 85° or 90° Front Angle <b>Ⓛ</b> , Slipstream Fork, Glide™ Single-Sided Fork.).....	£150

### PRECISION LOCK FRONT FORKS

ZFK1	<input type="checkbox"/> TiLite Standard Fork.....	STD
ZFK2	<input type="checkbox"/> TiLite Slipstream Single-Sided Fork (Not available with Heavy Duty Frame or Power Adaptable Frame.).....	£136
ZGL1	<input type="checkbox"/> Out-Front Glide™ Suspension Fork (Black anodize only. Not available with Heavy Duty Frame.).....	£336
	Rider's Weight: <input type="checkbox"/> 125 lbs. (.56.69kg) <input type="checkbox"/> 125-180 lbs. (56.69- 81.64kg) <input type="checkbox"/> 180-265 lbs. (81.64- 120.2kg)	
ZTFS1	<input type="checkbox"/> Titanium Fork Stem.....	£38

### STANDARD REAR WHEELS (See Rear Seat Height Ranges Chart for Rear Seat Height **Ⓛ** limitations.)

ZRW14	TiLite SHADOW™ .....	STD
	<input type="checkbox"/> 20"(451)	
	<input type="checkbox"/> 22"(501)	
	<input type="checkbox"/> 24"(540)	
	<input type="checkbox"/> 25"(559) (Requires 15" minimum Seat Depth <b>Ⓛ</b> .)	
	<input type="checkbox"/> 26"(590) (Requires 15" minimum Seat Depth <b>Ⓛ</b> .)	

### PERFORMANCE REAR WHEELS (See Rear Seat Height Ranges Chart for Rear Seat Height **Ⓛ** limitations.)

ZRW7	Spinergy SPOX <input type="checkbox"/> Black <input type="checkbox"/> Red <input type="checkbox"/> Blue <input type="checkbox"/> White.....	£405
	<input type="checkbox"/> 22"(501) - Std. Hub	
	<input type="checkbox"/> 24"(540) - Std. Hub	
	<input type="checkbox"/> 25"(559) - Std. Hub (Requires 15" minimum Seat Depth <b>Ⓛ</b> .)	
	<input type="checkbox"/> 26"(590) - Sport Hub (Requires 15" minimum Seat Depth <b>Ⓛ</b> . Not available with Quad Release Axles.)	
ZRW8	Spinergy LX <input type="checkbox"/> Black <input type="checkbox"/> Red <input type="checkbox"/> Blue <input type="checkbox"/> White <input type="checkbox"/> Bright Orange <input type="checkbox"/> Flamingo Pink <input type="checkbox"/> Purple.....	£590
	<input type="checkbox"/> 22"(501) - Std. Hub	
	<input type="checkbox"/> 24"(540) - Std. Hub	
	<input type="checkbox"/> 25"(559) - Std. Hub (Requires 15" minimum Seat Depth <b>Ⓛ</b> .)	
	<input type="checkbox"/> 26"(590) - Sport Hub (Requires 15" minimum Seat Depth <b>Ⓛ</b> . Not available with Quad Release Axles.)	
ZRW16	Spinergy Carbon Blade (Not available with Heavy Duty Frame, Natural-Fit or Natural-Fit LT with Standard Grip or Super Grip.).....	£895
	<input type="checkbox"/> 24"(540)	
	<input type="checkbox"/> 25"(559) (Requires 15" minimum Seat Depth <b>Ⓛ</b> .)	
ZRW17	X-Core Mag (Not available with Heavy Duty Frame, Short Tabs, Quad Release Axles, Spoke Guards or Omit Handrims Option. Requires Aluminum Sliver Anodized Handrims.).....	£77
	<input type="checkbox"/> 20"(451)	
	<input type="checkbox"/> 22"(501)	
	<input type="checkbox"/> 24"(540)	

### AXLES

ZAXL1	<input type="checkbox"/> Stainless Quick Release.....	STD
ZAXL2	<input type="checkbox"/> Titanium Quick Release.....	£182
ZAXL3	<input type="checkbox"/> Quad Release (Not available with Mag or 26"(590) Spinergy Spox or LX Rear Wheels.).....	£108

### PNEUMATIC REAR TIRES

ZRTR1	<input type="checkbox"/> Treaded (Not available with 25"(559) or 20"(451) Rear Wheels.).....	STD
ZRTR2	<input type="checkbox"/> Airless Inserts (Not available with Spinergy Carbon Blade Rear Wheels.).....	£66
ZRTR3	<input type="checkbox"/> 25"(559) Primo Treaded (Standard with 25"(559) Rear Wheels.).....	STD
ZRTR4	<input type="checkbox"/> Primo Slick.....	NCO
ZRTR30	<input type="checkbox"/> 24"(540), 25"(559) and 26"(590) Primo Sentinel.....	£91
ZRTR8	<input type="checkbox"/> 24"(540), 25"(559) and 26"(590) Schwalbe® Marathon Plus Evolution.....	£73
ZRTR9	<input type="checkbox"/> 24"(540) and 25"(559) Schwalbe® Slick.....	£73
ZRTR24	<input type="checkbox"/> 24"(540) Kenda Kobra Knobby.....	£63

### SOLID REAR TIRES (Not available with Spinergy Carbon Blade Rear Wheels.)

ZRTR22	<input type="checkbox"/> 20"(451), 22"(501), 24"(540) and 25"(559) Primo Express.....	£77
ZRTR23	<input type="checkbox"/> 24"(540) and 25"(559) Primo Active.....	£94

### HANDRIMS

#### Handrims by OUT-FRONT®

ZRIM1	<input type="checkbox"/> Aluminum – Silver Anodized.....	STD
ZRIM21	<input type="checkbox"/> Aluminum – Black Anodized (Not available with 20"(451) Rear Wheels.).....	£38
ZRIM12	<input type="checkbox"/> Titanium – Satin Finish (Not available with 20"(451) or 22"(501) Rear Wheels, or 24"(540) Knobby tires.).....	£318
ZRIM10	<input type="checkbox"/> The Surge (All-In-One Oval with Gription™ Strip, Larger Profile) (Not available with 20"(451) Rear Wheels.).....	£255
ZRIM11	<input type="checkbox"/> The Surge LT (All-In-One Oval with Gription™ Strip, Smaller Profile) (Not available with 20"(451) Rear Wheels.).....	£276

# International TiLite Z-Series Order Form

## CUSTOM CONFIGURATION OPTIONS

ZRIM20	<input type="checkbox"/> Q-Grip (Exclusive High-Friction, Anti-Slip Coating) (Not available with 20"(451)Rear Wheels.)	£234
<b>The Natural-Fit® (Original, Larger Profile)</b> (Not available with 20"(451) Rear Wheels.)		
ZRIM14	<input type="checkbox"/> Standard Grip (Not available with Short Tabs or Spinergy Carbon Blade Rear Wheels.)	£248
ZRIM15	<input type="checkbox"/> Super Grip (Not available with Short Tabs or Spinergy Carbon Blade Rear Wheels.)	£280
ZRIM16	<input type="checkbox"/> Without Thumb Grip	£231
<b>The Natural-Fit® LT (Reduced Weight, Smaller Profile)</b> (Not available with 20"(451) Rear Wheels.)		
TRIM17	<input type="checkbox"/> Standard Grip (Not available with Short Tabs or Spinergy Carbon Blade Rear Wheels.)	£269
TRIM18	<input type="checkbox"/> Super Grip (Not available with Short Tabs or Spinergy Carbon Blade Rear Wheels.)	£308
TRIM19	<input type="checkbox"/> Without Thumb Grip	£252
<b>Additional Handrim Options</b>		
ZRIM5	<input type="checkbox"/> Plastic Coated – Black	£91
ZRIM22	<input type="checkbox"/> Omit Handrims	NCO
<b>Tab Length</b>		
ZRIM7	<input type="checkbox"/> Long Tabs	STD
ZRIM8	<input type="checkbox"/> Short Tabs (Not available with Mag Rear Wheels or The Natural-Fit® Handrims with Thumb Grip.)	£14

### WHEEL LOCKS

#### Wheel Locks by OUT-FRONT®

ZWLK7	<input type="checkbox"/> Compact Composite Push to Lock (Available with .75" to 1.5" Rear Wheel Spacing ① only.)	NCO
ZWLK8	<input type="checkbox"/> Compact Composite Pull to Lock (Available with .75" to 1.5" Rear Wheel Spacing ① only.)	NCO
Z2WLK10	<input type="checkbox"/> Extension Handles for Compact Composite Push/Pull to Lock	£63
ZWLK9	<input type="checkbox"/> Composite Scissor Lock	£101

#### Additional Wheel Locks

ZWLK3	Uni-Lock Set At: <input type="checkbox"/> Push <b>OR</b> <input type="checkbox"/> Pull	£115
ZWLK4	<input type="checkbox"/> Extension Handles for Uni-Lock	£63
ZWLK15	<input type="checkbox"/> Grade Aids Push to Lock (Not available with solid rear tires)	£126

### SIDE GUARDS

#### Aluminum

ZSDG2	<input type="checkbox"/> Rigid Removable	<input type="checkbox"/> Small <b>OR</b> <input type="checkbox"/> Std	£136
ZSDG3	<input type="checkbox"/> Quad Removable w/Hole	<input type="checkbox"/> Small <b>OR</b> <input type="checkbox"/> Std	£143
ZSDG4	<input type="checkbox"/> Fold Down Rigid	<input type="checkbox"/> Small <b>OR</b> <input type="checkbox"/> Std (Not available with Ergonomic Seat.)	£234
ZSDG6	<input type="checkbox"/> Fendered Adjustable (Available with 24" and 25" Rear Wheels. Requires Rear Seat Height ② of 14.5" to 18.5").		£234

#### Carbon Fiber

ZSDG7	<input type="checkbox"/> Rigid Removable	<input type="checkbox"/> Small <b>OR</b> <input type="checkbox"/> Std	£213
ZSDG8	<input type="checkbox"/> Quad Removable w/Hole	<input type="checkbox"/> Small <b>OR</b> <input type="checkbox"/> Std	£220
ZSDG9	<input type="checkbox"/> Fold Down Rigid	<input type="checkbox"/> Small <b>OR</b> <input type="checkbox"/> Std (Not available with Ergonomic Seat.)	£318
ZSDG11	<input type="checkbox"/> Fendered Adjustable (Available with 24" and 25" Rear Wheels. Requires Rear Seat Height ② of 14.5" to 18.5").		£315
ZSDG12	<input type="checkbox"/> <b>NEW</b> Fendered Removable		£315

#### Available on Aluminum and Carbon Fiber Non-Fendered Side Guards

ZSDG13	<input type="checkbox"/> Side Guards Custom Cut to Profile of Rear Wheels	£217
--------	---	------

### ARMRESTS (Desk Arms come with built-in Side Guards.)

ZARM1	Swing Away Tubular <input type="checkbox"/> 6.5" to 9.5" <b>OR</b> <input type="checkbox"/> 9.5" to 12.5" (Not Available with Heavy Duty Frame or Height Adjustable Push Handles.)	£150
ZARM4	<input type="checkbox"/> Swing Away Height Adjustable 8.5" to 11.5" - Flip Back Tubular (Not Available with Heavy Duty Frame.)	£217
ZARM2	Removable Height Adjustable Desk Arm with Rigid Side Guard (Requires 14" minimum Seat Depth ③. Not available with Ergonomic Seat.)	£234
	<input type="checkbox"/> 9" to 12" (22.9 to 30.5cm) <b>OR</b> <input type="checkbox"/> 12" to 15" (30.5-38.1cm)	
	<input type="checkbox"/> Standard Length Pad (10" (25.5cm)) <b>OR</b> <input type="checkbox"/> Full Length Pad (14" (35.5cm))	
ZARM3	Removable Height Adjustable Desk Arm with Rigid Side Guard and Transfer Loop (Requires 15" minimum Seat Depth ③. Not Available with Ergonomic Seat.)	£255
	<input type="checkbox"/> 9" to 12" (22.9 to 30.5cm) <b>OR</b> <input type="checkbox"/> 12" to 15" (30.5-38.1cm)	
	<input type="checkbox"/> Standard Length Pad (10" (25.5cm)) <b>OR</b> <input type="checkbox"/> Full Length Pad (14" (35.5cm))	
Available Armrest Option		
ZARM5	<input type="checkbox"/> Covered in Black Ultrasuede (Not available with Desk Arms)	£77

### SEAT BELTS

ZBLT1	<input type="checkbox"/> Velcro Adjustable, Black Nylon Webbing	£31
ZBLT2	<input type="checkbox"/> Bodypoint® 2" Push-Button Buckle (Auto-Style.)	£70
ZBLT4	<input type="checkbox"/> Bodypoint® 1" Wide Push-Button Buckle Padded (Auto-Style.) (Not available with 19" or 20" Rear Seat Widths ④.)	£129
ZBLT5	<input type="checkbox"/> Bodypoint® 1.5" Wide Push-Button Buckle Padded (Auto-Style.) (Not available with 19" or 20" Rear Seat Widths ④.)	£122
ZBLT8	<input type="checkbox"/> Q'Straint® WC-19 Wheelchair-Anchored Pelvic Belt (Recommended for use with Transit Tie Down. Not Available with ZR.)	£136
ZBLT10	<input type="checkbox"/> Bodypoint® Optional Band Clamp Mounting Hardware	£14
ZBLT16	<input type="checkbox"/> Bodypoint® EvoFlex® Pelvic Stabilizer Push Button	£133

# International TiLite Z-Series Order Form

Effective November, 2020 (New Items in Red)

MONO-TUBE RIGID FRAME

Page 7 of 8

## CUSTOM CONFIGURATION OPTIONS

### CALF STRAP

ZCLF2	Velcro Adjustable.....	£24
	<input type="checkbox"/> Small (Recommended for 9" - 12" Footrest Widths.)	
	<input type="checkbox"/> Medium (Recommended for 11" - 15" Footrest Widths.)	
	<input type="checkbox"/> Large (Recommended for 14" - 17" Footrest Widths.)	
	<input type="checkbox"/> Xtra Large (Recommended for 16" - 19" Footrest Widths.)	
ZCLF3	Bodypoint® Padded Velcro Adjustable.....	£73
	<input type="checkbox"/> Small (Recommended for 8" - 11" Footrest Widths.)	
	<input type="checkbox"/> Medium (Recommended for 11" - 15" Footrest Widths.)	
	<input type="checkbox"/> Large (Recommended for 16" - 19" Footrest Widths.)	
ZCLF1	<input type="checkbox"/> Buckle Adjustable, Black Nylon Webbing.....	£17

### BACKPACK

ZBCK3	<input type="checkbox"/> Black Permobil Backpack.....	£66
-------	---	-----

### SEAT POUCH

ZPCH3	<input type="checkbox"/> Black Permobil Seat Pouch.....	£38
ZPCH4	<input type="checkbox"/> Bodypoint® Mobility Bag .....	£73

### SEAT CUSHION (Cushions & Backrest are not available on EZ-Ti for UK customers these will be ordered separately to the chair)

<input type="checkbox"/>	Comfort Curve Cushion.....	£60
<input type="checkbox"/>	ROHO Airlite Cushion.....	£225
<input type="checkbox"/>	ROHO Quadro Select Low Profile.....	£482
<input type="checkbox"/>	ROHO Agility Min Contour Backrest...(other backrest options available on request).....	£515

### SPOKE GUARDS

ZGRD1	<input type="checkbox"/> Clear Lexan with TiMotion Logo (Not available with Mag Rear Wheels.).....	£91
-------	--	-----

### ANTI-TIPS

ZTIP1	<input type="checkbox"/> Rear Aluminum - Black.....	£112
ZTIP7	<input type="checkbox"/> Black Aluminum Single.....	£56
	Mount on <input type="checkbox"/> Left Side or <input type="checkbox"/> Right Side.....	NCO
ZTIP2	<input type="checkbox"/> User Friendly Flip-up Pair.....	£234
ZTIP8	<input type="checkbox"/> User Friendly Flip-up Single.....	£115
	Mount on <input type="checkbox"/> Left Side or <input type="checkbox"/> Right Side.....	NCO

### ACCESSORIES

ZUEST1	Upper Extremity Support Tray <input type="checkbox"/> 12" to 14" OR <input type="checkbox"/> 13" to 15" Seat Widths <b>A</b> (Requires Armrests.).....	£199
ZLUG1	<input type="checkbox"/> Luggage Carriers.....	£101
ZMPCT2	Neoprene Impact Guards with Ultrasuede Stripe <input type="checkbox"/> Black.....	£73
ZCH1	<input type="checkbox"/> Crutch Holder.....	£101

## GENERAL

More options and frame modifications may be available through our Creative Mobility Division! Please contact customer service for details or [click here](#) to view options.

Permobil manufactures TiLite manual wheelchairs in a wide variety of configurations to meet the varied needs of wheelchair users. The final selection of a particular model, its options and accessories, and its measurements rests solely with the wheelchair user and advising healthcare professional. These wheelchairs must be fitted by a qualified healthcare professional. HCPCS Codes are for reference purposes only. Actual coding and coverage varies by payer. Proper HCPCS coding is not a guarantee of payment. Please verify the appropriate payer's coverage policy.

Get the latest order forms at [permobilus.com](http://permobilus.com). Prices, standard features, options and accessories are subject to change without notice. All rights reserved. Trademarks are identified by symbols™ and ©. TiLite, TiFit, the TiLite logo, Ti, the Ti logo, and TiShaft are registered trademarks of TiSport, LLC and are licensed to Permobil. Permobil® is a registered trademark of Permobil. Adobe®, Acrobat®, Acrobat Professional® and Reader® are registered trademarks of Adobe Systems Inc. Bodypoint® is a registered trademark of Bodypoint Inc. Kenda® is a registered trademark of Kenda Rubber Industrial Co. Ltd. ROHO®, AGILITY®, Low Profile® and Quadro Select® are registered trademarks of ROHO Inc. Schwalbe® is a registered trademark of Ralf Bohle GmbH. The Natural-Fit® and Out-Front® are registered trademarks of Three Rivers Holdings, LLC. The ACTA-BACK®, ACTA-EMBRACE™, COMFORT-TEK™, COMPASS®, CURVE®, ELEMENTS®, and STRETCH AIR™ are registered trademarks of THE COMFORT COMPANY® and are licensed to Permobil. Q'Straint® is a registered trademark of Q'Straint Inc.

## NOTES

**QUOTE THIS CHAIR**

If you are using Adobe Acrobat, this order form may be converted into a quote request or into an order by clicking one of the buttons (this feature is available exclusively to Permobil dealers and distributors). A Quote or an Order Confirmation will be sent to you within 24 hours.

**ORDER THIS CHAIR**