



The only beanbag
Seating system with
Full postural support



Specialised
Orthotic
Services
By *drive*



Relax! In the award winning 'P' Pod by SOS.
Ideal for use in the living room, school and the care homes.
Suitable for all ages including adults!



specialisedorthoticservices.co.uk



Made in the UK

SOS03 ISS02 0418



The only beanbag styled seating system with full postural support. Suitable for all ages.

The 'P'Pod was developed to resolve the age old problem with bean bag type seats, instability! The unique design of the 'P'Pod provides the level of support required to stabilise posture thus enabling clients with complex postural problems to use this revolutionary seating product.

The unique patented 'P'Pod design combines a symmetrical or custom moulded seat pod within the simplicity of a conventional Bean Bag base.



Key features:

The only bean seat with postural support

'P'Pod is available with a standard or custom moulded seat for accurate posture management.

An alternative to wheelchair seating

Many clients spend most of the day in their wheelchairs, the 'P'Pod gives clients the chance to spend time out of their wheelchair and relax at home with excellent postural support.

Available with growth liners

Growth liners can be fitted to the 'P'Pod to accommodate growth, prolonging the life of the product.

Removable covers for easy cleaning

Quilted covers available in a range of bright colours and are easily removed for cleaning.

Lightweight and easy to move around the home.

Can be used with hoists

Clients can be hoisted into the 'P'Pod easily.

Available in a range of sizes.

The 'P'Pod is available in a range of standard sizes. For more complex clients, a custom moulded seat is available.



'P'Pod options and accessories

SOS offer a wide range of accessories to help make your 'P'Pod unique, including custom embroidery.



Mobile base

It almost seems a shame to disturb a client when carers or parents want to move them from room to room, so we developed a mobile base unit.

Fits through standard door frames, with cushioned handles, front locking castors and foot operated brake. Suitable for use with a hoist.

Tilt in Space Mobile base

Available with powered tilt function. Enhances the 'P'Pod's ability to manage very complex requirements.



Lap tray

Provides a stable surface for work and play. Features a beanbag underside for comfort during use.

Freestanding tray

Height and angle adjustable the freestanding tray provides a stable surface for work and play.



Growth Liners



Removable liners for growing kids, prolong the life of the 'P'Pod.

Flip-over headrest



Additional head support allows a change of head position. Flips over when not required.



Activity frame

Developed for use during play therapy. Allows children to participate in stimulating play whilst in their P'Pod (toys not included).

Temperature Control

The 'P'Pod is available with a thermal liner. The liner helps clients maintain a comfortable body temperature. The liner becomes an integral part of the 'P'Pod seat.

Foot bolster



Adjustable foot bolsters for clients who require a secure foot support.

Embroidery service

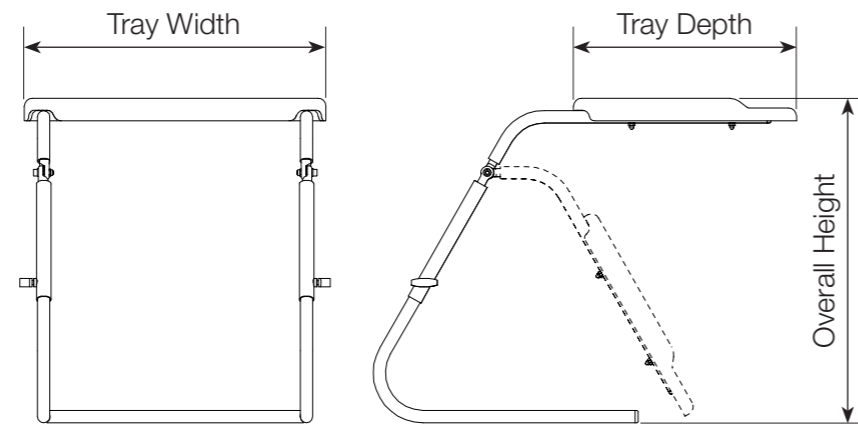


Contact us for more embroidery options and colours.

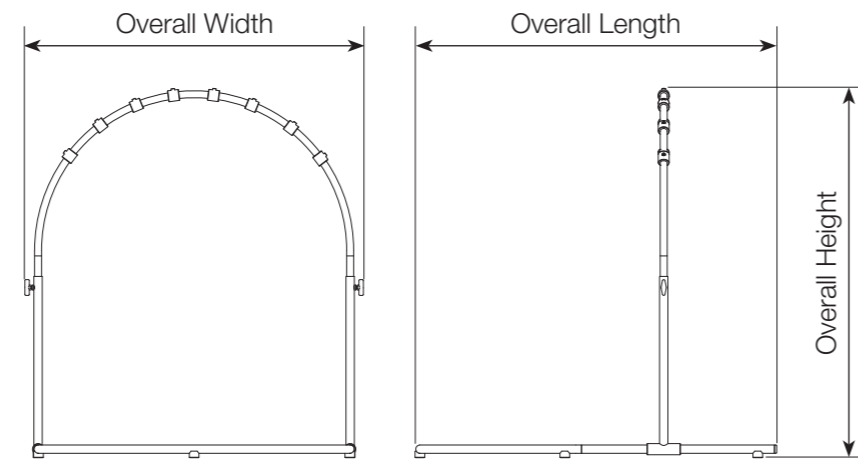
Accessory Dimensions



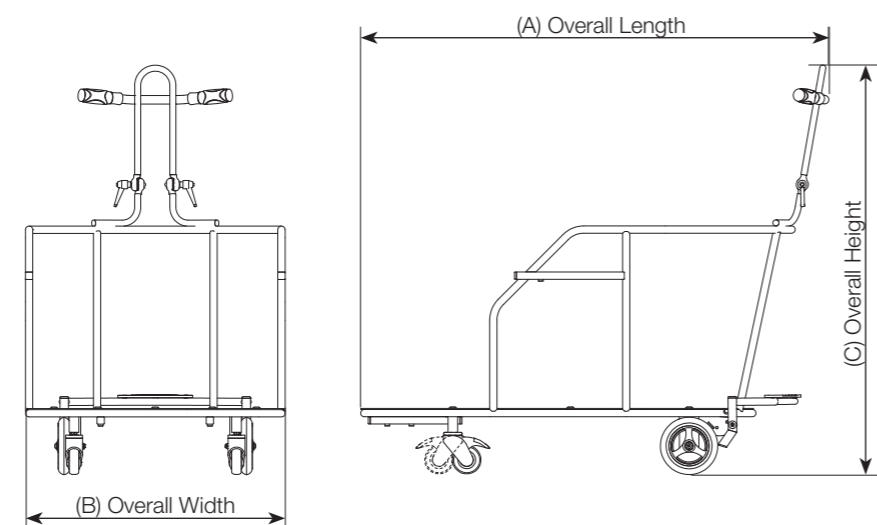
Freestanding tray



Activity frame



Mobile base*



Sizes and Dimensions for P Pod & Nessie

Need help with sizes? Please contact us for advice.

Measurements	Micro	1	2	2 ½	3	3½	4	4½	5	5½	6
Hip width	177 (7)	220 (8¾)	250 (10)	260 (10¼)	260 (10¼)	270 (10½)	310 (12¼)	310 (12¼)	360 (14¼)	370 (14½)	420 (16½)
Trunk width	160 (6¼)	190 (7½)	220 (8¾)	240 (9½)	240 (9½)	250 (10)	270 (10½)	270 (10½)	320 (12½)	330 (13)	340 (13½)
PSD	120 (4¾)	210 (8¼)	230 (9)	260 (10¼)	290 (11½)	290 (11½)	330 (13)	350 (13¾)	350 (13¾)	420 (16½)	430 (17)
Axilla height	140 (5½)	220 (8¾)	260 (10¼)	260 (10¼)	290 (11½)	290 (11½)	320 (12½)	330 (13)	360 (14¼)	380 (15)	420 (16½)
Shoulder height	230 (9)	340 (13½)	370 (14½)	400 (15¾)	420 (16½)	440 (17¼)	440 (17¼)	470 (18½)	510 (20)	540 (21¼)	550 (21¾)
Head height	370 (14½)	430 (17)	500 (19¾)	560 (22)	560 (22)	620 (24½)	620 (24½)	660 (26)	660 (26)	700 (27½)	730 (28¾)

mm (inches)	Measurements	Small	Medium	Large	X Large
Freestanding Tray	Overall length	460 (8) - 575 (22¾)	760 (30) - 1020 (40¼)	760 (30) - 1020 (40¼)	
	Overall width	525 (20¾)	580 (22¾)	740 (29)	
	Overall height	545 (21½)	595 (23½)	695 (27¼)	
Activity Frame	Overall length	980 (38½)	980 (38½)		
	Overall width	770 (30¼)	770 (30¼)		
	Overall height	790 (31) - 1120 (44)	790 (31) - 1500 (59)		
Mobile Base	Overall length	1030 (40½)	1120 (44)	1225 (48¼)	1325 (52¼)
	Overall width	580 (22¾)	680 (26¾)	680 (26¾)	680 (26¾)
	Overall height	1060 (41¾)	1070 (42¼)	1070 (42¼)	1070 (42¼)
	Custom	Made to suit client requirements			

Crushed Velour Fabric

P Pod seat covers

Also available in wipe clean Dartex Fabric. Please contact us for details.





Design and Innovation

The 'P'Pod was designed by SOS to combine comfortable beanbag seating with the support offered by the innovative seat Pod. This makes the 'P'Pod more than just a beanseat and a great alternative to wheelchair seating for use indoors.

The 'P'Pod is made of 3 main components - the seat pod, a bolster support and beanbag (or pod).

The P in 'P'Pod stands for posture. Providing the necessary support to maintain postural stability.



Standard 'P'Pod seats

Depending on the client's needs there are two seat pod options. The standard seat pod is designed for clients who have body symmetry but still need extra postural support to maintain a good sitting position.

A large choice of standard seat pod sizes are available. The client's measurements are taken and the size is chosen based on each individual's needs. This helps make sure the client is comfortable and safely seated within the 'P'Pod.

Every 'P'Pod comes complete with lap strap which goes under the liner for extra stability.

Custom 'P'Pod seats

Clients with more complex needs can have their pod custom moulded. SOS use vacuum consolidation technology to create a cast of the client's posture.

The custom moulded approach helps clients with complex needs benefit from the 'P'Pod too making the unique benefits of the 'P'Pod available for all disabled clients irrespective of their physical needs.



Bean Bag Base

The bean base is the base to which the seat is attached. Heavy duty Velcro is used to secure everything in place. The seating position can be adjusted by re-positioning the Velcro.

The base is made from a hard wearing material and like a normal beanbag it is lightweight and easy to move around. It takes minutes to assemble and is perfect for those occasions when there simply isn't room for bulky specialist equipment.

Bolster

The moulded seat is supported by a simple bolster which improves stability when the seat is in use.

This additional seat support allows the client's sitting position to be altered so it can be more upright or more relaxed if required. The bolster ensures that any movement the client makes does not affect the chosen seating position.

What do our clients think?



"Our daughter has a 'P'Pod. It's a great piece of kit as it looks like a beanbag and gives her another seating option – she can view the world from a different angle. We were able to use a standard seat, as opposed to the moulded one. It's unobtrusive in the home and easy to transport and move around. She goes in the garden in it and is really happy."



"Moulded seats are revolutionary. There are a whole host of benefits it offers both them and their carers. If corrective seating is used from an early age it makes many conditions they're prone to preventable, or slows down deterioration. Treating early can help increase life expectancy too."

A Clinical Community Physiotherapist

Need more info or advice?

For more information, advice or to book a demonstration call: 0044 (0)1283 520400

Email us: enquiries@specialorthotic.com

Visit our website: www.specialisedorthoticservices.co.uk



Specialised Orthotic Services
Unit 126-127
Fauld Industrial Park
Tutbury
Staffordshire
DE13 9HS

Tel: 0044 (0)1283 520400
Fax: 0044 (0)1283 520401
Email: enquiries@specialorthotic.com
Web: www.specialisedorthoticservices.co.uk



Specialised Orthotic Services has a policy of continual development and we reserve the right to alter specification and design without prior notification. All products manufactured are covered by design rights or patent. This document is copyright of the company and the contents are its intellectual property. We have made every effort to make the colours in the brochure match as close as possible to the finished product. Unfortunately we cannot guarantee an exact match.