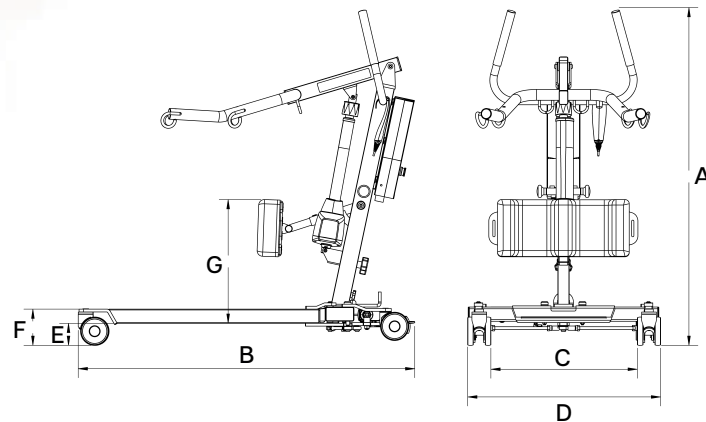


# SA180E



### Weights and dimensions

SWL	: 180 kg
Unit weight	: 47 kg
Base weight	: 23 kg
Mast & boom weight	: 24 kg
A (height)	: 1,145 – 1,685 mm
B (length)	: 1,190 mm
C (internal width)	: 540 – 1,100 mm
D (external width)	: 680 – 1,050 mm
E (ground clearance)	: 33 mm
F (under bed clearance)	: 112 mm
G (Kneepad height)	: 430 – 555 mm
Turning circle	: 1,230 mm
Castor size	: 100 mm



### Details

Product code	: 1301SA-ESS180
Drawing number	: 107650
GS1 code	: 5056408920315
Warranty	: 1 year
Sling connection	: Looped
Lift	: Electric (LA44 – 10 kN)
Leg opening	: Manual
Hand controls	: Wired electric hooked handset
Control box	: Standard (no screen)
Foot tray	: Removable (5.5 kg)
Duty cycle	: 15% use, 85% rest
Battery	: 24 V SLA, 2.9 Ah
Charging time	: 8 hours
Lifts per charge	: 30
IP rating (controls)	: IPX4
IP rating (battery)	: IPX5
Material	: Powdercoated steel, PU foam, vinyl PVC

### Standards

- ISO 10535:2006
- IEC 62366-1:2015
- EN ISO 15223-1:2016
- IEC 60601-1:2012
- IEC 60601-2:2014

This product is CE marked and complies with EU MDR 2017/745

### Contact

Unit 4 Jubilee Way  
Grange Moor  
Wakefield  
United Kingdom  
WF4 4TD

+44 (0)1924 840100  
info@prismmedical.co.uk

