

mackworth
essentials

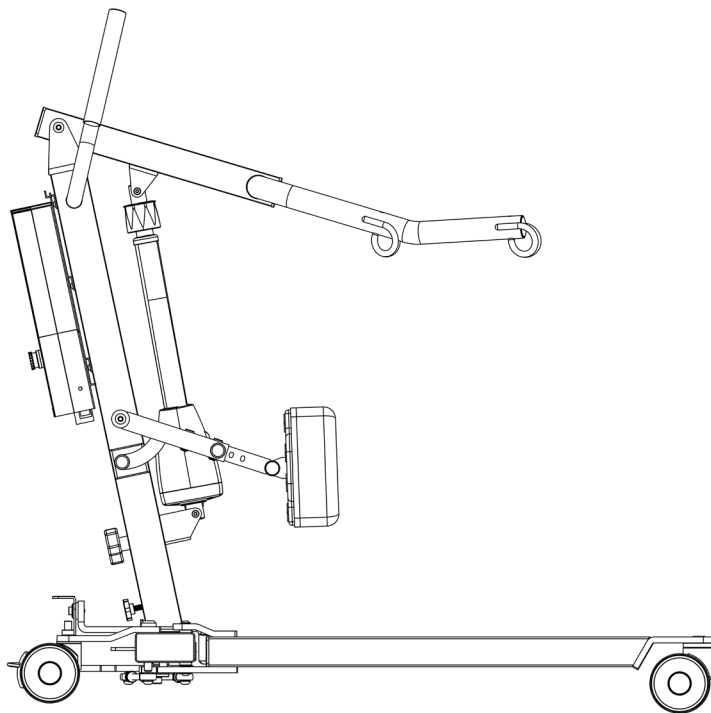
SA180E

STAND AID



**SPARE PARTS
MANUAL**

1. Contents



Description	Page(s)
Spare Parts Summary	3
Part Code Detail	4-9
Notes	10-11
Contacts	12



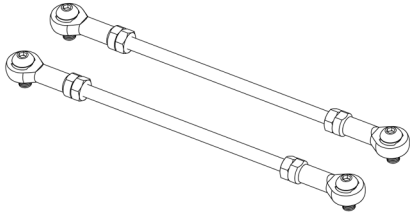

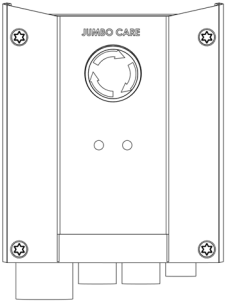
2. Spare Parts Summary

Part Code	Description
107908	Leg Rod Assembly
123103	2 Way Handset (Standard)
123107	2 Way Control Box (Standard)
107904	LH Leg Assembly
107903	RH Leg Assembly
000213	Mast Fixing Screw (Small)
000746	Mast Fixing Screw (Large)
107210	SA180E Base Assembly
107915	Lift Actuator Kit
107916	SA180E Boom Assembly
107917	SA180E Mast Assembly
107918	SA180E Kneepad Outer Pivot Assembly
107920	SA180E Kneepad Inner Pivot Assembly
107266	SA180E Kneepad Assembly
107260	SA180E Foot Tray Assembly
107901	Front Castor Kit (Pair)
107902	Rear Castor Kit (Pair)
510005	Battery Pack (2.0Ah Lead Acid)
510091	Mains Snap Lead
510092	Charger Lead (UK Plug)
107088	Lift Actuator Lead (500mm)
999064	SA180E User Manual

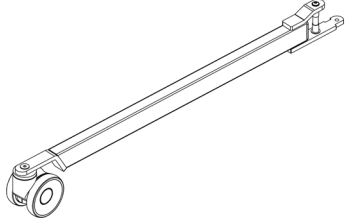
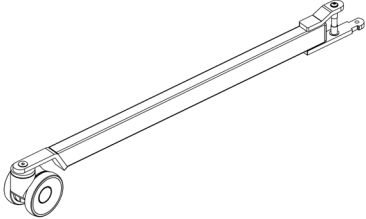
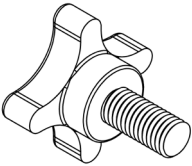
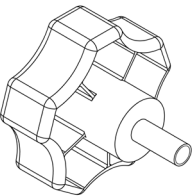
PRODUCT VARIATIONS

- 107650 - Mackworth Essentials SA180E

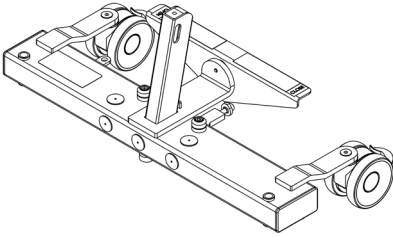
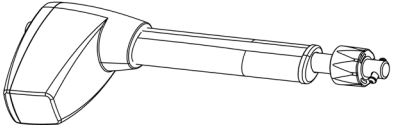
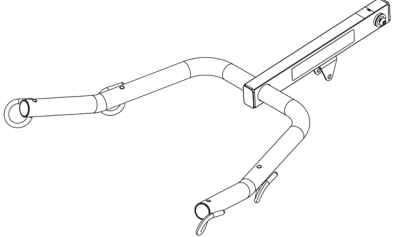
3. Part Code Detail

	<p>Leg Rod Assembly 107908</p>
	<p>2 Way Handset (Standard) 123103</p>
	<p>2 Way Control Box (Standard) 123107</p>

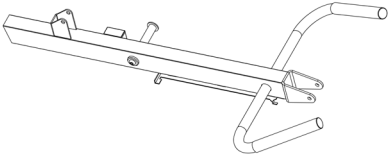
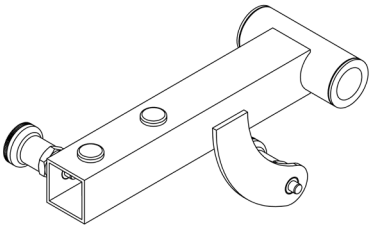
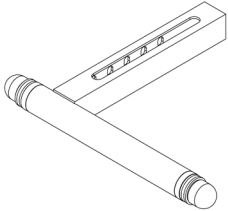
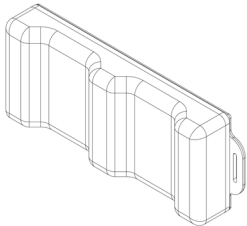
Part Code Detail

	<p>LH Leg Assembly 107904</p>
	<p>RH Leg Assembly 107903</p>
	<p>Mast Fixing Screw (Small) 000213</p>
	<p>Mast Fixing Screw (Large) 000746</p>

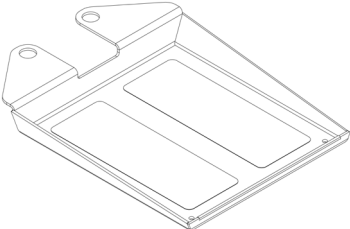
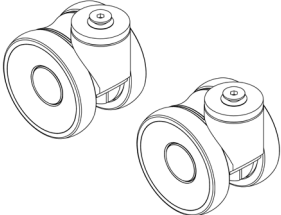
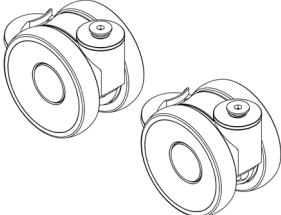

Part Code Detail

 A technical line drawing of the SA180E Base Assembly, showing a rectangular metal base with various mounting points, a central vertical support structure, and a circular component on the right side.	<p>SA180E Base Assembly 107210</p>
 A technical line drawing of the Lift Actuator Kit, featuring a long, cylindrical actuator with a handle on one end and a mounting bracket on the other.	<p>Lift Actuator Kit 107915</p>
 A technical line drawing of the SA180E Boom Assembly, showing a long, curved metal boom with various joints and mounting points.	<p>SA180E Boom Assembly 107916</p>

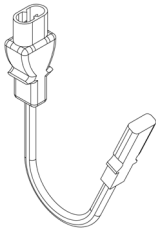

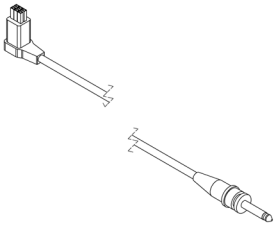

Part Code Detail

	<p>SA180E Mast Assembly 107917</p>
	<p>SA180E Kneepad Outer Pivot Assembly 107918</p>
	<p>SA180E Kneepad Inner Pivot Assembly 107920</p>
	<p>SA180E Kneepad Assembly 107266</p>

Part Code Detail

	<p>Foot Tray Assembly 107260</p>
	<p>Front Castor Kit (Pair) 107901</p>
	<p>Rear Castor Kit (Pair) 107902</p>
	<p>Battery Pack (2.0Ah Lead Acid) 510005</p>

Part Code Detail

	<p>Mains Snap Lead 510091</p>
	<p>Charger Lead (UK Plug) 510092</p>
	<p>Lift Actuator Lead (500mm) 107088</p>
	<p>SA180E User Manual 999064</p>



4. Notes



Notes



5. Contacts

DEALER CONTACT DETAILS

MANUFACTURER CONTACT DETAILS

Unit 1, Tir Llwyd Industrial Estate, St Asaph Avenue, Kinmel Bay,
Conwy, United Kingdom, LL18 5JZ

Telephone: +44 (0)1924 840100
www.prismmedical.co.uk

DISCLAIMER

While every effort has been made to ensure the accuracy of information contained in this manual, no liability can be accepted by Prism Medical UK for any errors or omissions. Prism Medical UK operates a policy of continuous improvement. Specifications and other data are subject to change without notice.

prismmedicaluk
a prismhealthcare company

UK
CA



CE