

freeway

# TA180

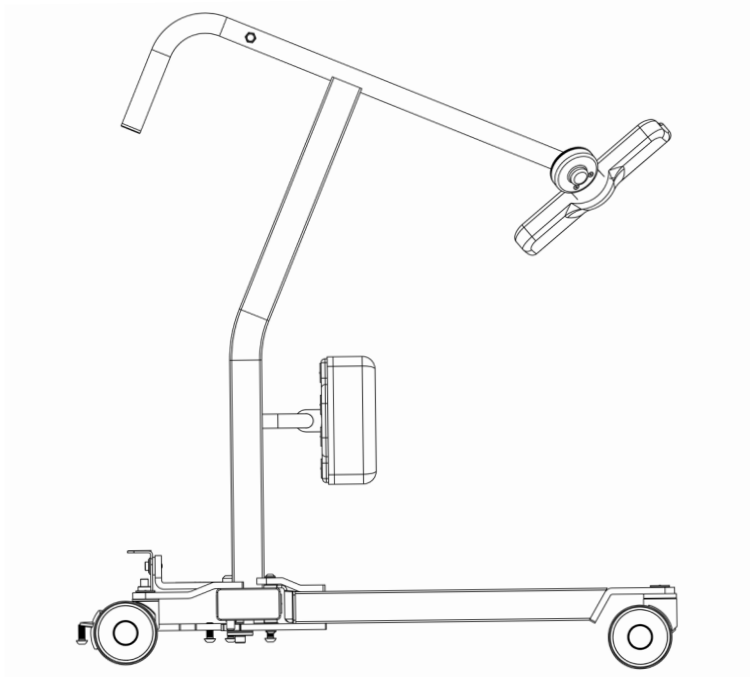
TRANSFER AID



# SPARE PARTS MANUAL



## 1. Contents



<b>Description</b>	<b>Page(s)</b>
Spare Parts Summary	3
Part Code Detail	4-7
Notes	8-11
Contacts	12



## 2. Spare Parts Summary

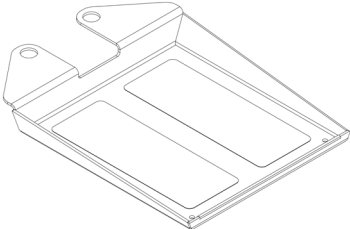
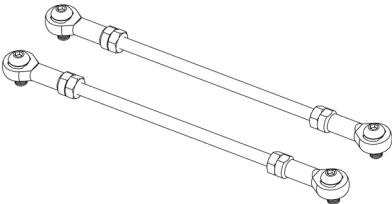
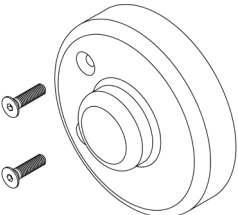
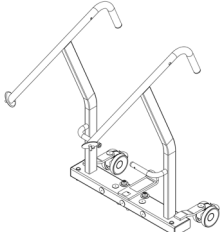
Part Code	Description
107260	Foot Tray Assembly
107908	Leg Rod Kit Assembly
107955	TA180 Fing Trap Guard Kit Assembly
107960	TA180 Main Frame Kit Assembly
107961	TA180 LH Leg Kit Assembly
107962	TA180 RH Leg Kit Assembly
107963	TA180 Kneepad Kit Assembly
107964	TA180 Crossbar Kit Assembly
107965	Manual Leg Opener Kit Assembly
107966	TA180 Seatpad Kit Assembly
107901	Unbraked Castor Kit (Pair)
107902	Braked Castor Kit (Pair)
999062	Freeway TA180 User Manual

### PRODUCT VARIATIONS

- 107425 - Freeway TA180

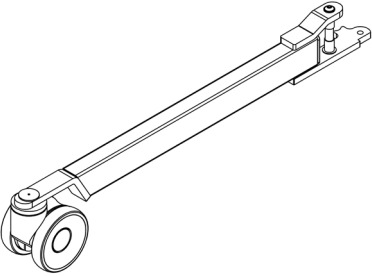
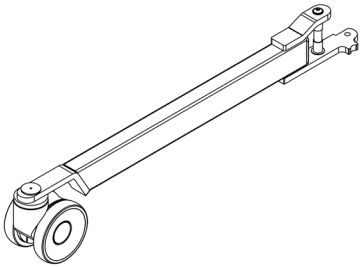
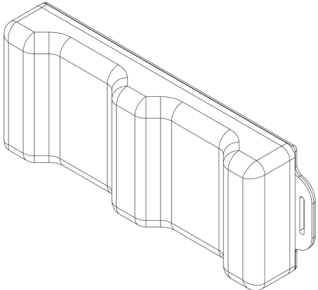


### 3. Part Code Detail

 A technical line drawing of a rectangular foot tray assembly with a raised rim and two mounting tabs on the left side.	<p>Foot Tray Assembly 107260</p>
 A technical line drawing of two parallel leg rods. Each rod has a ball joint at one end and a threaded end with a nut at the other.	<p>Leg Rod Kit Assembly 107908</p>
 A technical line drawing of a circular finger trap guard with two screws and their corresponding nuts shown separately to the left.	<p>TA180 Finger Trap Guard Kit Assembly 107955</p>
 A technical line drawing of the main frame assembly, showing a base with two vertical supports and two angled levers.	<p>TA180 Main Frame Kit Assembly 107960</p>

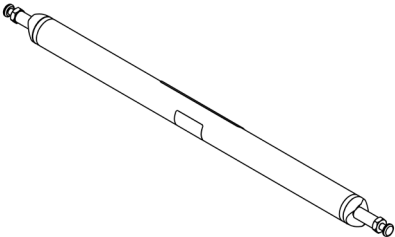
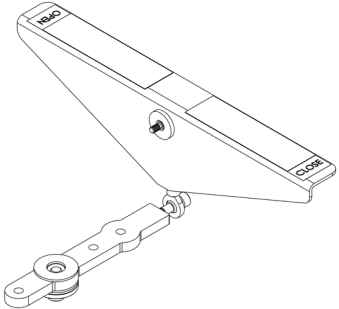
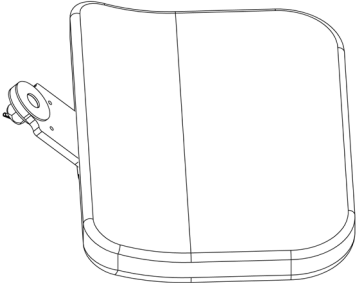


### Part Code Detail

 A technical line drawing of the left-hand leg assembly. It consists of a long, thin metal beam with a roller at one end and a mounting bracket with a pin at the other.	<p>TA180 LH Leg Kit Assembly 107961</p>
 A technical line drawing of the right-hand leg assembly, which is a mirror image of the left-hand leg assembly.	<p>TA180 RH Leg Kit Assembly 107962</p>
 A technical line drawing of the kneepad assembly, showing a rectangular, padded component with a small handle on the right side.	<p>TA180 Kneepad Kit Assembly 107963</p>

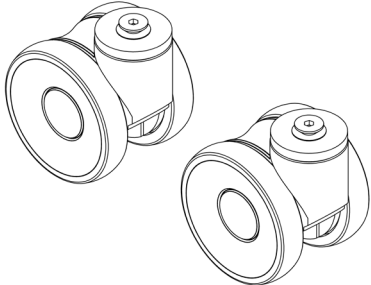
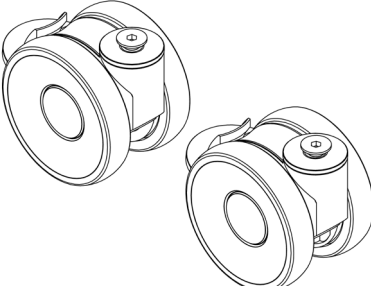



### Part Code Detail

 A technical line drawing of a long, cylindrical crossbar assembly. It has a threaded end on the left and a flared, knurled end on the right.	<p>TA180 Crossbar Kit Assembly 107964</p>
 A technical line drawing of a manual leg opener mechanism. It consists of a long, angled metal plate with a circular hole near the top and a smaller hole near the bottom. A bracket with a circular end is attached to the bottom of the plate.	<p>Manual Leg Opener Kit Assembly 107965</p>
 A technical line drawing of a seatpad assembly. It features a rectangular, curved seatpad with a central vertical seam. A metal bracket with a circular end is attached to the left side of the seatpad.	<p>TA180 Seatpad Kit Assembly 107966</p>



### Part Code Detail

 A line drawing showing two unbraked castor wheels. Each wheel has a circular tread and a central hub with a mounting bracket.	<p>Unbraked Castor Kit (Pair) 107901</p>
 A line drawing showing two unbraked castor wheels, similar to the first row but with a slightly different mounting bracket design.	<p>Unbraked Castor Kit (Pair) 107902</p>
 A line drawing of a Freeway TA180 trolley, showing its frame, wheels, and a handle. Below the drawing, the text "USER MANUAL" is written in a bold, sans-serif font.	<p>Freeway TA180 User Manual 999062</p>



#### **4. Notes**





## Notes



## Notes



## Notes



## 5. Contacts

### DEALER CONTACT DETAILS

### MANUFACTURER CONTACT DETAILS

Unit 1, Tir Llwyd Industrial Estate, St Asaph Avenue, Kinmel Bay,  
Conwy, United Kingdom, LL18 5JZ

Telephone: +44 (0)1924 840100  
[www.prismmedical.co.uk](http://www.prismmedical.co.uk)

### DISCLAIMER

While every effort has been made to ensure the accuracy of information contained in this manual, no liability can be accepted by Prism Medical UK for any errors or omissions. Prism Medical UK operates a policy of continuous improvement. Specifications and other data are subject to change without notice.

**prismmedicaluk**  
a prismhealthcare company

