

Date




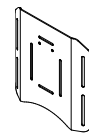

User name

Responsible

.....

Wheelchair model and brand Seat width (LS)

WARNING: with this backrest the seat depth is reduced by 5 cm approx.

BACKREST HEIGHT		29	34	40
Shell's shape		Lateral retaining wing B=regular		
		R	R	R
 				
Aluminum shell width	30	Seat width (LS) from 27 to 30		
	33	Seat width (LS) from 30 to 33		
	36	Seat width (LS) from 33 to 36		
Prices - VAT excluded		£ 885		



ASSEMBLY AND ADJUSTMENT SYSTEM

- Removable with quick release
- For rigid frame and folding wheelchairs
- Suitable for tubes with diameter 18÷26mm
- Depth adjustment (4cm)
- Angle adjustment (±18°)

Configuration DEEP with side support PAD (height adjustable)

Alluminum lateral with padded, breathable upholstery.



Small (h 13cm)



Right
10272

£ 25

Left
10272

£ 25

Large (h 20cm)



Right
10273

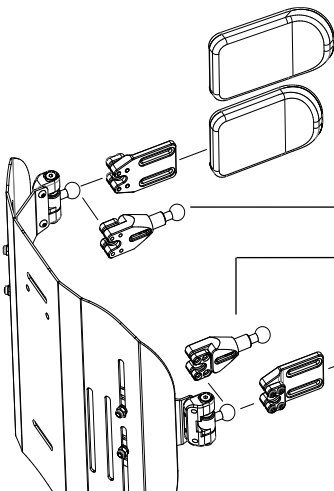
£ 35

Left
10273

£ 35

SWING AWAY - Lateral support

Fixing and adjustment hardware complete with protection sleeve
Alluminum lateral with padded, breathable upholstery.



Large (18x12)

05647 £ 165

Small (14x9)

05643 £ 165

Lateral support extension

Quantity (number pcs).....
10271 £ 60

Lateral support extension

Quantity (number pcs).....

Small (14x9)

05642 £ 165

Large (18x12)

05646 £ 165

Optional

Headrest adjustable - Double ball mounting system

Large (34x14) 05648 £ 220

Small (28x14) 04103 £ 110



Harness

04103 £ 110

Italia Certified company normative UNI EN ISO 9001

Important notice! Send this page