

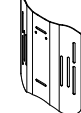



Date .....

User name .....

Responsible .....

<b>Wheelchair model and brand</b> .....	<b>Seat width (LS)</b> .....
---	------------------------------

BACKREST HEIGHT		34	40	52
Shell's shape	Lateral retaining wing B=regular			
7,5 cm		R 	R 	R 
<b>Aluminum shell width</b>	<b>36</b>	Seat width (LS) from 33 to 39		
	<b>39</b>	Seat width (LS) from 36 to 42		
	<b>42</b>	Seat width (LS) from 39 to 45		
	<b>45</b>	Seat width (LS) from 42 to 48		
	<b>48</b>	Seat width (LS) from 45 to 51		
<b>Prices - VAT excluded</b>		<b>£ 885</b>		

**POSTURE**  
Physio

**Aluminum shell**

**ASSEMBLY AND ADJUSTMENT SYSTEM**

Removable with quick release

For rigid frame and folding wheelchairs

Suitable for tubes with diameter 18÷26mm

Depth adjustment (4cm)

Angle adjustment (±18°)

**Configuration DEEP with side support PAD (height adjustable)**

Aluminum lateral with padded, breathable upholstery.



Small (h 13cm)



Right 10272

Left 10272

£ 25

Large (h 20cm)



Right 10273

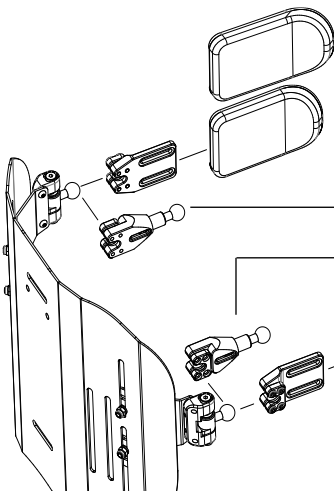
Left 10273

£ 35

£ 35

**SWING AWAY - Lateral support**

Fixing and adjustment hardware complete with protection sleeve  
Alluminum lateral with padded, breathable upholstery.



Large (18x12)

05647 £ 165

Small (14x9)

05643 £ 165

Lateral support extension

Quantity (number pcs).....

10271 £ 60

Lateral support extension

Quantity (number pcs).....

Small (14x9)

05642 £ 165

Large (18x12)

05646 £ 165

**Optional**

Headrest adjustable - Double ball mounting system

Large (34x14)

05648 £ 220

Small (28x14)



Harness

04103 £ 110

Italia Certified company normative UNI EN ISO 9001

**Important notice! Send this page**

- standard** (supplied if no requests are indicated)
- on request** (without extra charge)
- optional** (cost to be added at the basic price)