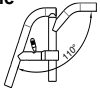
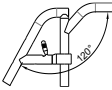
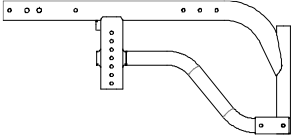


Date	UK (English)	
User	Company stamp	
End user wheight (kg)		Folding frame wheelchair
Language user manual	Responsible	£ 3034,00
		Retail price - VAT not included

Wheelchair measures	
Seat width (LS)	<input type="checkbox"/> 36 <input type="checkbox"/> 39 <input type="checkbox"/> 42 <input type="checkbox"/> 45 <input type="checkbox"/> 48
Seat depth (PS)	<input type="checkbox"/> 37,5 <input type="checkbox"/> 40 <input type="checkbox"/> 42,5 <input type="checkbox"/> 45 <input type="checkbox"/> 47,5
The real seat depth, from the front part of the seat cloth to the backrest tube will be 1 cm more than the declared one. - calculated with angle backrest 90° to the seat	
Footplate distance (DP) (cm) ±0.5cm - adjustment steps 1.5cm
(Real distance between seat and footplate) - IMPORTANT NOTICE! From the footplate to the floor minimum 4cm !! (Minimum Front height = DP + 4cm.)	
Setting	☆ Standard <input type="checkbox"/> Prudential <input type="checkbox"/> Active
Camber	☆ 2° <input type="checkbox"/> 0° <input type="checkbox"/> 4°
Backrest Height (TS)	Std.Value 33,5(min 24.5-max 47) adjustment steps 1.5cm
Backrest angle (to the seat)	☆ 90° <input type="checkbox"/> -6° <input type="checkbox"/> 6°
Front height (STD 49) - Rear height (STD 43)	

Front frame	
Frame Angle	
	
☆ 110°	<input type="checkbox"/> 120°
	<input type="checkbox"/> 95°
Rear frame	
☆ Aluminium standard frame	
	<input type="checkbox"/> Short frame - Ideal with Seat depth (PS)37,5 - 40 Not available for depth 45 - 47,5 <input type="checkbox"/> Long frame - Ideal with Seat depth (PS)42,5 - 45 - 47,5
	Frame colour
	<input type="checkbox"/> Bright silver
	<input type="checkbox"/> Opaque black
	<input type="checkbox"/> Pearl white

Backrest
☆ Adjustable velcro straps and padded transpiring upholstery

Handle tube
☆ Tubes with standard handle
<input type="radio"/> Folding handles

02958 252,00

Casters
☆ 4" Soft
<input type="checkbox"/> 3" Sport
<input type="checkbox"/> 5" Soft
<input type="checkbox"/> 6" Soft
<input type="checkbox"/> 6" Pneumatic
<input type="checkbox"/> 3" Active Soft (wide)
<input type="checkbox"/> 4" Active Sport (narrow)
<input type="checkbox"/> 4" Active Soft (wide)
<input type="checkbox"/> 5" Active Soft (wide)
<input type="checkbox"/> 5" Pneumatic
Not available with frame angle 95°
Not available with frame angle 95°
(Aluminium alloy rim)
(Aluminium alloy rim)
(Aluminium alloy rim)
(Aluminium alloy rim)
06824 126,00
01398 126,00
03943 126,00
07518 126,00
10844 63,00

Support front fork
☆ Standard support front fork


Colour set: Rear wheels and forks - To be matched only with: Rear wheels Ultra-light Progeo - Standard! (22 - 24)	
☆ Polished black	22" 24" 25" 26"
<input type="checkbox"/> Bright silver	22" 24"
<input type="checkbox"/> Bright anthracite	24"
<input type="checkbox"/> Bright orange	22" 24"
<input type="checkbox"/> Bright fuchsia	22" 24"
<input type="checkbox"/> Bright blue	22" 24"
<input type="checkbox"/> Bright red	22" 24"
<input type="checkbox"/> Bright lime	22" 24"
<input type="checkbox"/> Pearl white	22" 24"
	00833 126,00
	00833 126,00
	00833 126,00
	00833 126,00
	00833 126,00
	00833 126,00
	00833 126,00
	00833 126,00

Permobil Limited Unit 7, Polaris Centre, 41 Brownfields, Welwyn Garden City, Herts, AL7 1AN United Kingdom - Phone: +44 1484 722888

customer_support_uk@permobil.com - https://www.permobil.com/en-gb

Date Order User Address

Rear wheels

- ☆ 24" Ultra-light Progeo - Standard!
- 22" Ultra-light Progeo - Standard!
- 25" Ultra-light Progeo - Standard! (colour: black)
- 26" Progeo - Standard! (colour: black)
- 24" ULTRA-LIGHT PROGEO KEY SPORT Weight reduction approx. 450gr. 04383 876,00
- 24" Ultra-light "Spinergy LX" 01685 876,00
- 24" Ultra-light "Spinergy LXL" Black hub and white spokes Hub and spokes black 07846 876,00
- 24" Ultra-light "Spinergy Flex rim" Integrated aluminium/rubber handrim 02270 1.374,00
- 25" Ultra-light "Spinergy LX" 02101 876,00
- 25" Ultra-light "Spinergy LXL" Black hub and white spokes 07847 876,00
- 26" Ultra-light "Spinergy LX" 02102 876,00
- 24" Off-road (aluminium handrim black) 01392 224,00
- 22" with brake handles for companion (drum brake) (aluminium handrim) 03385 360,00
Available only with: camber 0° and Setting Standard
- 24" with brake handles for companion (drum brake) (aluminium handrim) 03384 360,00
Available only with: camber 0° and Setting Standard
- One arm drive - (24" rear wheels Aluminium handrim High pressure Tyre) - camber 0°
 Right Left 02103 401,00

Rear wheel tyre


- ☆ High pressure tyre (22"-24"-25"-26")
- High pressure profile tyre (24")
- Marathon Plus (24"-25") with anti-puncture protection 01669 63,00
- Anti-puncture - Colour Black (24") 11083 126,00
- Anti-puncture - Colour Grey (22") 04181 98,00

Handrim

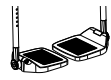
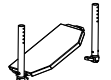
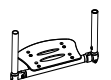

Wheel distance ☆ 3 cm 4 cm

- ☆ Aluminium (22"-24"-25"-26")
- Aluminium black SOFT-TOUCH (24"-25") (24" handrim, on 25" wheel is installed with spacers) 09170 126,00
- Chromed Steel (24"-25") (24" handrim, on 25" wheel is installed with spacers) 01684 148,00
- Titanium (24"-25") (24" handrim, on 25" wheel is installed with spacers) 00016 275,00
- Ultra Grepp (24"-25") (24" handrim, on 25" wheel is installed with spacers) 00017 315,00
- Max Grepp (24"-25") (24" handrim, on 25" wheel is installed with spacers) 00834 349,00
- Ergo Para (24") 00632 349,00
- TOP FRICTION (24"-25") (24" handrim, on 25" wheel is installed with spacers) 11023 399,00
- Oval countour with a rubber insert
- NOVA H (24"-25") (24" handrim, on 25" wheel is installed with spacers) 11025 263,00
Ergonomic black profile
- NOVA D (24"-25") (24" handrim, on 25" wheel is installed with spacers) 11026 286,00
Ergonomic profile with rubber coating (ideal for quadriplegics)
- SURGE LT (25") Oval countour with a rubber insert 06427 360,00
- Quad (24") 00693 200,00
- Silicon cover for standard aluminium handrim Available for measures (22" - 24" - 26") 04050 160,00

Wheel locks

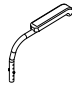


- ☆ Bent lever push to lock 
- Straight lever push to lock 
- Straight lever pull to lock 
- Sport brake  06428 126,00
- Brake with extension lever push to lock  01949 63,00
- Brake with extension lever pull to lock  03372 63,00

Footplate - See reference tables N°3


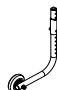
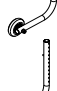
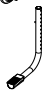



- ☆ Plastic footrest rake adjustable  11525
- Minimum footplate distance 35cm. ☆ 2/3 Internε 2/3 External
- One piece footplate - Flip-up! rake and depth adjustable  11527
- Minimum footplate distance 35cm. Internal ☆ 2/3 Internal External
- Minimum footplate distance 30cm. Available only with Multi-function and rotative system - 03945 189,00
- One piece aluminium footplate - Flip-up! rake and depth adjustable  11528
- Minimum footplate distance 35cm. Internal ☆ 2/3 Internal 2/3 External External
- One piece Carbon fibre footplate rake adjustable, swing away, flip-up.  03291 275,00
- Minimum footplate distance 35cm. Internal External


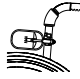
Date Order User Address

Mudguard				
Mudguard				
<input checked="" type="checkbox"/>	ABS mudguard			
<input type="checkbox"/>	ABS Straight sideguard		03946	315,00
<input type="checkbox"/>	Carbon fibre mudguard		08918	315,00
<input type="checkbox"/>	Carbon fibre Straight sideguard			
Removable version				
<input type="checkbox"/>	Removable ABS mudguard		08921	126,00
<input type="checkbox"/>	Removable ABS fibre straight sideguard		08921	126,00
<input type="checkbox"/>	Removable carbon fibre mudguard		08919	435,00
<input type="checkbox"/>	Removable Carbon fibre straight sideguard		08920	435,00

Armrests				
<input type="checkbox"/>	Tubular armrests - Steel support with safety locking system (Swing away, removable and height adjustable armrest)		00694	252,00
Removable armrest with ABS mudguard				
<input type="checkbox"/>	Desk armrests PROGEO (Removable and height adjustable)		09956	224,00
<input type="checkbox"/>	Removable armrest with ABS straight sideguard		08881	224,00
<input type="checkbox"/>	Removable armrest with carbon-fiber straight sideguard		08882	453,00

Accessories				
<input type="checkbox"/>	Pad for front frame protectors		07058	52,00
<input type="checkbox"/>	Backrest-seat connection cloth		10241	17,00
<input type="checkbox"/>	Removable storage bag (with quick coupling)		09811	126,00

Optional 1				
<u>Only one optional devices for side can be chosen</u>				
<input type="checkbox"/>	Transit wheels	Exclude the installation of : Anti-tippers -Tipping aid - Crutches support		00836 148,00
<input type="checkbox"/>	Anti-tipper with rapid hookup	(inside rotation to reduce the encumbrance)		
		<input type="checkbox"/> Right		00023 126,00
		<input type="checkbox"/> Left		00024 126,00
<input type="checkbox"/>	Tipping aid	<input type="checkbox"/> Right		00025 74,00
		<input type="checkbox"/> Left		01046 74,00
<input type="checkbox"/>	Crutches support	<input type="checkbox"/> Right		00838 74,00
		<input type="checkbox"/> Left		00837 74,00

Optional 2				
<input type="checkbox"/>	Tetraclip	(Quick release axle for quadriplegic)	03947	177,00
<input type="checkbox"/>	Quick release front forks	To be matched only with: Standard support front fork	00030	148,00
<input type="checkbox"/>	Push handles for companion	(Removable and height adjustable)		01048 189,00
<input type="checkbox"/>	Safety pelvic belt		03972	63,00
<input type="checkbox"/>	Harness		04103	126,00
<input type="checkbox"/>	Lumbar support	(to insert in the backrest upholstery)	00013	40,00
<input type="checkbox"/>	Swing away lateral support	<input type="checkbox"/> Right		02097 252,00
	Not available with Posture backrest PHYSIO	<input type="checkbox"/> Left	02098	252,00
<input type="checkbox"/>	Spoke guards Black	(22"-24")	01043	148,00
<input type="checkbox"/>	Spoke guards Transparent	(22"-24")	00835	148,00
<input type="checkbox"/>	Spoke guards Progeo design	(22"-24")	00019	177,00
<input type="checkbox"/>	Spoke guards Dragon	(22"-24")	02106	177,00


Additional Kit				
<input type="checkbox"/>	24" Off-road rear wheels	Off-Road tyre - aluminium handrim (black colour)	03378	498,00
<input type="checkbox"/>	24" FAT rear wheels	FAT tyre 3" - aluminium handrim (black colour)	09357	876,00

Date Order User Address

PHYSIO - Posture backrest
(Std. Backrest upholstery not provided)


Removable with quick release
 Suitable for tubes with diameter 18+26mm
 Depth adjustment (4cm)
 Angle adjustment (±18°)

- AIR** Carbon shell
 not available for seat width 48

BACKREST HEIGHT	28	34	40			
Shell's shape 	Lateral retaining wing A=high - R=regular					
	A	R	A	R	A	R
	<input type="checkbox"/>	<input type="checkbox"/>	<input type="checkbox"/>	<input type="checkbox"/>	<input type="checkbox"/>	<input type="checkbox"/>

1.047,00

- POSTURE** Aluminum shell

BACKREST HEIGHT	34	40	52
Shell's shape 	Lateral retaining wing B=regular		
	R	R	R
	<input type="checkbox"/>	<input type="checkbox"/>	<input type="checkbox"/>

#####

Configuration DEEP with side support PAD (height adjustable)

- Aluminum lateral with padded, breathable upholstery.



Small (h 13cm)



Right
10272

29,00



Left
10272

29,00

Large (h 20cm)



Right
10273

40,00

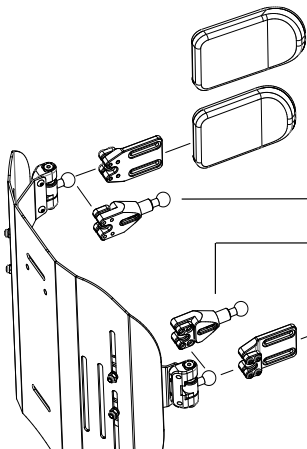


Left
10273

40,00

SWING AWAY - Lateral support

Fixing and adjustment hardware complete with protection sleeve
 Aluminum lateral with padded, breathable upholstery.



- Large (18x12)

05647 183,00

- Small (14x9)

05643 183,00

- Lateral support extension

Quantity (number pcs).....
10271 69,00

- Lateral support extension

Quantity (number pcs).....

- Small (14x9)

05642 183,00

- Large (18x12)

05646 183,00

- Headrest adjustable - Double ball mounting system
 Available only with backrest Physio
 Not available for backrest Physio AIR carbon shell



Large (34x14) 05648 252,00
 Small (28x14)

Date Order User Address

Note

Permobil Limited Unit 7, Polaris Centre, 41 Brownfields, Welwyn Garden City, Herts, AL7 1AN United Kingdom - Phone: +44 1484 722888

customer_support_uk@permobil.com - https://www.permobil.com/en-gb




Wheelchair : Progeo TEKNA ADVANCE SWING with footrests removable and Swing away - Rev. 2023.1

Prices - VAT excluded
to be added to the price list

Send this page only if any optional have been chosen

- standard (supplied if no requests are indicated)
- on request (without extra charge)
- optional (cost to be added at the basic price)

REFERENCE TABLES

1	Front height				
With closed frame (95°) max 5" caster					
FORK	Casters				
	3"	4"	5"	6"	
SMALL 	min. 39	min. 40	min. 42	min. 44	
	max 42	max 43	max 43	max 45	
MEDIUM 	min. 43	min. 44	min. 44	min. 46	
	max 45	max 46	max 47	max 48	
LONG 	min. 46	min. 47	min. 46	min. 47	
	max 52	max 53	max 54	max 55	
The size of the fork will be defined only by Progeo in accordance with wheelchair final configuration.					

2	Rear height			
	Rear wheels			
	22"	24"	25"	26"
H min	min. 36	min. 38	min. 39	min. 40
H max	max 44	max 48	max 49	max 51

3	Footplate option	Footplate distance
	Elastic footrest	min. 36
	One piece footplate - Flip-up!, with multifunction rotative system	min. 31
	One piece aluminium footplate - Flip-up!	min. 36
	One piece footplate - Flip-up!	min. 36
	One piece Carbon fibre footplate	min. 36
Calculated with the best configuration and with the footplates positioned on inside.		
IMPORTANT NOTICE! From the footplate to the floor minimum 4cm !! (Minimum Front height = DP + 4cm.)		

4	Rear wheels	
	Model	Features
	22" Ultra-light Progeo - Standard!	(not available in anthracite color)
	24" Ultra-light Progeo - Standard!	(available for all colours)
	24" ULTRA-LIGHT PROGEO KEY SPORT	(silver hub, black rim and 16 spokes)
	24" Ultra-light "Spinerger LX"	(silver hub, black rim and spokes)
	24" Ultra-light "Spinerger LXL"	(black hub and rim, 18 white spokes) - (black hub, rim and 18 spokes)
	24" Ultra-light "Spinerger Flex rim"	(silver hub, black rim and spokes) - (integrated aluminium/rubber handrim - encumbrance reduction up to 3cm. - all tyre)
	24" Off-road	(colour: black) - (aluminium handrim - tyre Off-road)
	25" Ultra-light "Spinerger LX"	(silver hub, black rim and spokes)
	25" Ultra-light "Spinerger LXL"	(black hub and rim, 18 white spokes)
	26" Progeo - Standard!	(colour: black)
	26" Ultra-light "Spinerger LX"	(silver hub, black rim and 18 spokes)

Wheelchair : Progeo TEKNA ADVANCE SWING with footrests removable and Swing away - Rev. 2023.1