

Date

User name

Company stamp

Responsible

Information on end user

End user pathology :

Presence of dystonia or important spasms : YES NO

End user weight:.....Kg

Seat width (LS)

MODEL ADULT

33 36 39 42 45 48

kit to increase seat width (LS + 3CM)

09876 £ 76

☆ Not mounted Mounted

MODEL JUNIOR

27 30 33 36 39

kit to increase seat width (LS + 3CM)

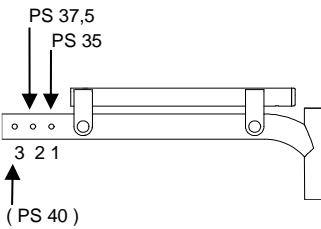
09876 £ 76

☆ Not mounted Mounted

Seat depth (PS) - adjustable!

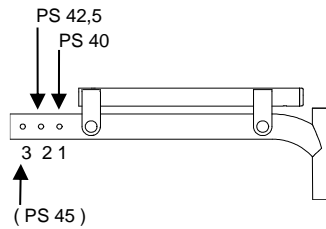
Short frame

35 37,5 40



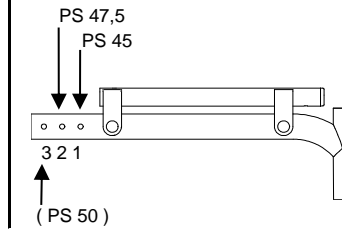
Medium frame

40 ☆42,5 45

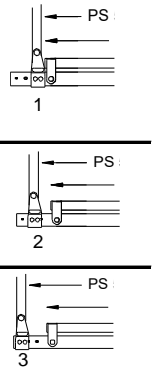


Long frame

45 47,5 50



Backrest tube position



Footplate distance (DP) Minimum footplate distance ~22cm

(Real distance between seat and footplate)

IMPORTANT NOTICE! From the footplate to the floor minimum 4cm.!! (Minimum Front height = DP + 4cm.)

Seat height (parallel to the ground)

Rear wheels

12"	16"	22"	24"
<input type="checkbox"/> 42		<input type="checkbox"/> 42	
☆ 43,3		<input type="checkbox"/> 43,3	<input type="checkbox"/> 43,3
<input type="checkbox"/> 44,5		<input type="checkbox"/> 44,5	<input type="checkbox"/> 44,5
<input type="checkbox"/> 45,8		<input type="checkbox"/> 45,8	<input type="checkbox"/> 45,8
<input type="checkbox"/> 47	<input type="checkbox"/> 47	<input type="checkbox"/> 47	<input type="checkbox"/> 47
	<input type="checkbox"/> 48,3	<input type="checkbox"/> 48,3	<input type="checkbox"/> 48,3

CASTERS 6"

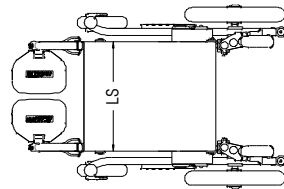
Rear wheels

12"	16"	22"	24"
		<input type="checkbox"/> 44,5	<input type="checkbox"/> 44,5
<input type="checkbox"/> 44,5		<input type="checkbox"/> 44,5	<input type="checkbox"/> 44,5
<input type="checkbox"/> 45,8		<input type="checkbox"/> 45,8	<input type="checkbox"/> 45,8
<input type="checkbox"/> 47	<input type="checkbox"/> 47	<input type="checkbox"/> 47	<input type="checkbox"/> 47
	<input type="checkbox"/> 48,3	<input type="checkbox"/> 48,3	<input type="checkbox"/> 48,3

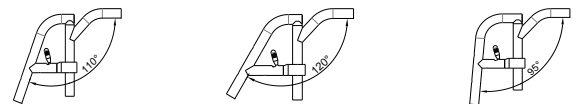
CASTERS 7"

Front frame

☆ Straight frame
(not available for seat width 27)



Front frame, swing away, and removable



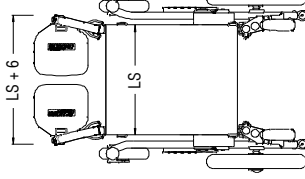
☆ 110°

120°

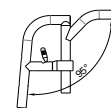
95°

(Exclude the installation of casters 7")

Frame with abduction 6cm
not available for seat width 42 45 48
Maximum footplate distance 42

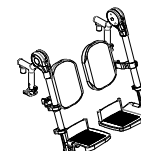


Front frame, swing away, and removable



☆ 95°
(Not available casters 7")

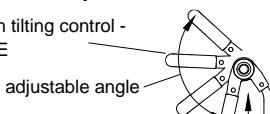
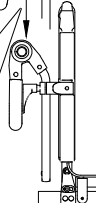
Elevating front frame, swing away and removable
Including plastic footplate with heel band
(not available for seat width 33)
Minimum footplate distance 25cm.

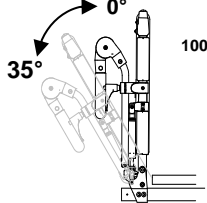


09730 £ 218

Date Order English User name Address

Frame colour (without extra charge)
 Opaque black Opaque orange AVIO blue - NEW! Pearl white
Frame colour on request
 Bright red Bright fuchsia Bright lime Bright blue china 09729 **£ 218**

One piece Push handle for companion
 One piece Push handle with tilting control - REMOVABLE
 adjustable angle 
 With fixed back(non-folding back) adjustable distance 30÷70cm (to the seat)
 With folding back backrest adjustable distance 20÷60cm (to the seat) 

Backrest
 ☆ Fixed back(non-folding back) adjustable angle from -4° to +12°
 Folding back backrest adjustable angle from -4° to +12° 09728 **£ 240**
 Reclining backrest dynamic reclining with gas spring 10090 **£ 273** 

Backrest upholstery
 ☆ WITH NO backrest upholstery, NOR tension adjustment straps
Backrest Height (TS) (std 42cm)
 WITH backrest upholstery and tension adjustment straps 04693 **£ 109**
 With fixed back(non-folding back)->minimum height 39cm
Backrest Height (TS) (std 42cm)

Casters
 ☆ 6" Soft
 6" Pneumatic
 7" Soft **Not available with: Front frame 95°**

Rear wheels
 ☆ 12" transit rear wheels - Anti-puncture
 12" transit rear wheels - Pneumatic
 16" transit rear wheels - Pneumatic
 24" Ultra-light Progeo - Standard! 04696 **£ 109**
 22" Ultra-light Progeo - Standard! 04696 **£ 109**
 24" Ultra-light "Spinergy LX" 04691 **£ 851**
 24" Ultra-light "Spinergy LXL" Black hub and white blade spokes Hub and blade spokes black 07848 **£ 851**
 24" Off-road (aluminium handrim black) 04690 **£ 273**
 12" with brake handles for companion (drum brake) 04105 **£ 284**
 16" with brake handles for companion (drum brake) 04107 **£ 284**
 22" with brake handles for companion (drum brake) (aluminium handrim black) 03385 **£ 316**
 24" with brake handles for companion (drum brake) (aluminium handrim black) 03384 **£ 316**

Colour rear wheels - To be matched only with:Rear wheels Ultra-light Progeo - Standard!
 ☆ Polished black 22-24" 04692 **£ 55**
 Bright silver 22-24" 04692 **£ 55**
 Bright anthracite 24" 04692 **£ 55**
 Bright orange 22-24" 04692 **£ 55**
 Bright fuchsia 22-24" 04692 **£ 55**
 Bright blue 22-24" 04692 **£ 55**
 Bright red 22-24" 04692 **£ 55**
 Bright lime 22-24" 04692 **£ 55**
 Pearl white 24" 04692 **£ 55**

Handrim - Wheel distance ☆ 3 cm 4 cm
 ☆ Aluminium (22-24")
 Aluminium black SOFT-TOUCH (24") 09170 **£ 109**
 Chromed Steel (24") 01684 **£ 131**
 Titanium (24") 00016 **£ 240**
 Ultra Grepp (24") 00017 **£ 273**
 Max Grepp (24") 00834 **£ 305**
 Ergo Para (24") 00632 **£ 305**
 SURGE LT (24") 06427 **£ 316**
 Quad (24") 00693 **£ 175**
 Silicon cover for standard aluminium handrim Available for measures (22"-24") 04050 **£ 142**

Rear wheel tyre
 ☆ High pressure tyre (22-24")
 High pressure profile tyre (24")
 Marathon Plus (24") **with anti-puncture protection** 01669 **£ 55**
 Solid tyre Kik Mako - Colour Black 01041 **£ 109**
 Solid tyre Kik Mako - Colour Grey 01751 **£ 109**

Rehateam s.r.l. Vicolo Negrelli, 5 - 31040 Castagnole di Paese (TV) - Tel. +39.0422.484657 / +39.0422.480387 - Fax +39.0422.484661 / +39.0422.484684
 P.IVA IT 03182520266 - C.C.I.A.A. TV n.225867 - Iscr.Trib. TV n.41690 Capitale Sociale i.V. Euro 100.000,00

Email: info@rehateamprogeo.com - web: http://www.rehateamprogeo.com

Date	Order	English User name	Address
------------	-------------	----------------------------	---------------

Wheel locks

Bent lever push to lock

Straight lever Push to lock

Straight lever Pull to lock

Brake with extension lever push to lock

Brake with extension lever pull to lock

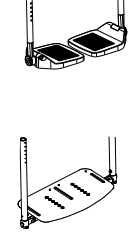


01949	£ 55
03372	£ 55

Footplate (Not available with Elevating front frame, swing away and removable)

Plastic footrest, rake adjustable
Minimum footplate distance ~22cm
Not available with: Front frame with levating footrest, swing away and removable

One piece aluminium footplate - Flip-up! rake and depth adjustable
Not available for seat width 27-30 with straight front frame
Minimum footplate distance ~21cm
Not available with: Front frame with levating footrest, swing away and removable




09727	£ 109
-------	-------

Internal 2/3 Internal 2/3 External External

Armrests

Removable armrest with ABS straight sideguard (Removable and height adjustable)
Real distance between seat and armrest pads (cm) 21 23 25 27 29



Kind of pad to be mounted on chosen armrest

Pad STANDARD

Ergonomic pad (30x6 cm.)

04104	£ 55
-------	------

SAFETY

4 points tie-down system rings



08654	£ 164
-------	-------

Accessories

Pad for front frame protectors

Removable storage bag (with quick coupling)

07058	£ 44
09811	£ 109

Optional 1

Anti-tipper with rapid hookup
INCLUDED ON THE BASIC PRICE (inside rotation to reduce the encumbrance)

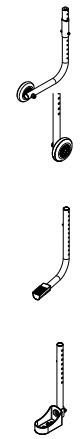
Transit wheels

Tipping aid

Right Left

Crutches support

Right Left



00836	£ 131
00025	£ 65
01046	£ 65
00838	£ 65
00837	£ 65

Optional 2

Harness

Safety pelvic belt

Tray table

Lumbar support (to insert in the backrest upholstery)

Spoke guards Black (22-24")

Spoke guards Transparent (22-24")

Spoke guards Progeo design (22-24")

Spoke guards Dragon (22-24")

04103	£ 109
03972	£ 55
00508	£ 240
00013	£ 33
01043	£ 131
00835	£ 131
00019	£ 153
02106	£ 153


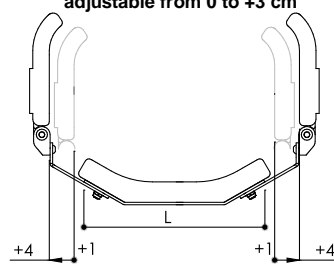
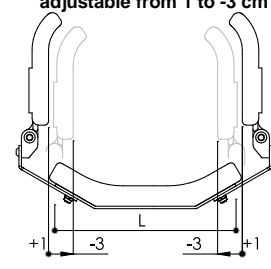
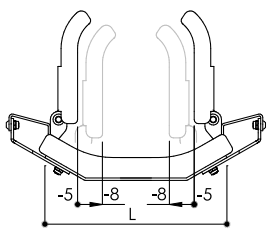
Rehateam s.r.l. Vicolo Negrelli, 5 - 31040 Castagnole di Paese (TV) - Tel. +39.0422.484657 / +39.0422.480387 - Fax +39.0422.484661 / +39.0422.484684
 P.IVA IT 03182520266 - C.C.I.A.A. TV n.225867 - Iscr.Trib. TV n.41690 Capitale Sociale I.V. Euro 100.000,00

Email: info@rehateamprogeo.com - web: http://www.rehateamprogeo.com

Date Order English User name Address

PHYSIO - Posture backrest KID Junior version - Std. Backrest upholstery not provided

WARNING: with this backrest the seat depth is reduced by 5 cm approx.

<input type="radio"/> Aluminum shell		Height <input type="checkbox"/> 29 <input type="checkbox"/> 40		07469 £ 884
<input type="radio"/> SWING AWAY - Lateral support				
<p>External thoracic support to the backrest width, adjustable from 0 to +3 cm</p>  <p>Large (17,5x11,5) <input type="checkbox"/> Left 07474 <input type="checkbox"/> Right 07473</p> <p>Small (14x9,5) <input type="checkbox"/> Left 07472 <input type="checkbox"/> Right 07471</p>	<p>Internal thoracic support to the backrest width, adjustable from 1 to -3 cm</p>  <p>Large (17,5x11,5) <input type="checkbox"/> Left 07474 <input type="checkbox"/> Right 07473</p> <p>Small (14x9,5) <input type="checkbox"/> Left 07472 <input type="checkbox"/> Right 07471</p>	<p>Internal thoracic support to the backrest width, adjustable from -5 to -8 cm</p>  <p>Large (17,5x11,5) <input type="checkbox"/> Left 07474 <input type="checkbox"/> Right 07473</p> <p>Small (14x9,5) <input type="checkbox"/> Left 07472 <input type="checkbox"/> Right 07471</p>		

PHYSIO - Posture backrest Adult version - Std. Backrest upholstery not provided

not available for seat width 27

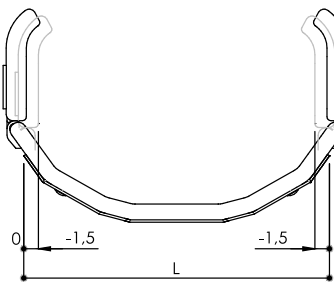
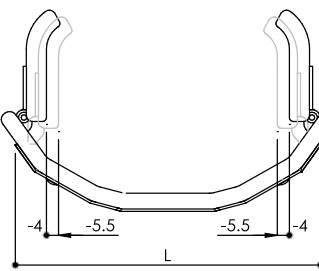
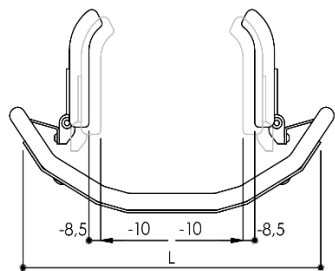
<input type="radio"/> Aluminum shell - Lateral retaining STANDARD 7,5cm	Height <input type="checkbox"/> 25 <input type="checkbox"/> 33 <input type="checkbox"/> 41	05308 £ 884
	Height <input type="checkbox"/> 52	05309 £ 938
	Lateral retaining wing <input type="checkbox"/> A=high <input type="checkbox"/> B=low	
<input type="radio"/> Aluminum shell - Lateral retaining DEEP 15cm	Height <input type="checkbox"/> 25 <input type="checkbox"/> 33 <input type="checkbox"/> 41	05310 £ 938
	Height <input type="checkbox"/> 52	05311 £ 993
	Lateral retaining wing <input type="checkbox"/> A=high <input type="checkbox"/> B=low	
<input type="radio"/> Carbon shell - Lateral retaining STANDARD 7,5cm	Height <input type="checkbox"/> 25 <input type="checkbox"/> 33 <input type="checkbox"/> 41	05312 £ 1015
	Lateral retaining wing <input type="checkbox"/> A=high <input type="checkbox"/> B=low	

COVER

☆ Cover with fabric-cover of backrest's rear side and high refraction fabric hems



SWING AWAY - Lateral support
Not available with Physio backrest with lateral retaining DEEP and in carbon backrest

<p>Internal thoracic support to the backrest width, adjustable (0 ÷ -1,5cm)</p>  <p>Large (17,5x11,5) <input type="checkbox"/> Left 05646 <input type="checkbox"/> Right 05647</p> <p>Small (14x9,5) <input type="checkbox"/> Left 05642 <input type="checkbox"/> Right 05643</p> <p><input type="checkbox"/> Additional Kit for internal thoracic support to the backrest width, adjustable (-8,5 ÷ -10cm)</p>	<p>Internal thoracic support to the backrest width, adjustable (-4 ÷ -5,5cm)</p>  <p>Large (17,5x11,5) <input type="checkbox"/> Left 05646 <input type="checkbox"/> Right 05647</p> <p>Small (14x9,5) <input type="checkbox"/> Left 05642 <input type="checkbox"/> Right 05643</p>	<p>Internal thoracic support to the backrest width, adjustable (-8,5 ÷ -10cm)</p>  <p>Large (17,5x11,5) <input type="checkbox"/> Left 05646 <input type="checkbox"/> Right 05647</p> <p>Small (14x9,5) <input type="checkbox"/> Left 05642 <input type="checkbox"/> Right 05643</p> <p>(with additional kit)</p>
---	--	--

Date	Order	English User name	Address
------------	-------------	----------------------------	---------------

<input type="radio"/> Headrest adjustable - Double ball mounting system	<input type="checkbox"/> Large (34x14)		05648	£ 393
Not available for Physio backrest's height 25 and with carbon shell	<input type="checkbox"/> Small (28x14)			

Rehateam s.r.l. Vicolo Negrelli, 5 - 31040 Castagnole di Paese (TV) - Tel. +39.0422.484657 / +39.0422.480387 - Fax +39.0422.484684
 P.IVA IT 03182520266 - C.C.I.A.A. TV n.225867 - Iscr. Trib. TV n.41690 Capitale Sociale i.V. Euro 100.000,00

Email: info@rehateamprogeo.com - web: http://www.rehateamprogeo.com

Note

Italia Certified company normative UNI EN ISO 9001		Important notice! s page only if any optional have been chosen	
Pag. 5 / 5	Wheelchair : TEKNA TILT 2.0 - Rev. 2020.2	Prices in EURO - VAT excluded to be added to the price list	<input type="checkbox"/> standard (supplied if no requests are indicated) <input type="checkbox"/> on request (without extra charge) <input type="checkbox"/> optional (cost to be added at the basic price)