

**AI**  
ALUMINIUM 7020



**Customer Contact Details**

Customer Name: \_\_\_\_\_

Advisor: \_\_\_\_\_

Address: \_\_\_\_\_  
 \_\_\_\_\_  
 \_\_\_\_\_

Phone: \_\_\_\_\_

Email: \_\_\_\_\_

Ship to Customer Address:

Shipping Name: \_\_\_\_\_

Shipping Address: \_\_\_\_\_  
 \_\_\_\_\_  
 \_\_\_\_\_

Phone: \_\_\_\_\_

Email: \_\_\_\_\_

**Additional Information**

Notes: \_\_\_\_\_  
 \_\_\_\_\_  
 \_\_\_\_\_  
 \_\_\_\_\_

Current Wheelchair: \_\_\_\_\_

Customer Weight: \_\_\_\_\_

Customer Height: \_\_\_\_\_

Customer Disability: \_\_\_\_\_

**Other**

**VAT Exemption Declaration (UK Only):**  
 I declare that I am chronically sick or disabled by reason of:  
 \_\_\_\_\_  
 and that I am receiving from RGK Wheelchairs Ltd, the wheelchair specified herein and I claim relief from Value Added Tax under group 12 of schedule 8 to Value Added Tax Act 1994.  
 Signature: \_\_\_\_\_ Date: \_\_\_\_\_

**RGK Contact Authorisation:**  
 From time to time, RGK would like to send you exclusive information, news and offers on everything RGK, by email or post. We will not pass any of your details to any third party.  
 I would like to be contacted by RGK:   
 Signature: \_\_\_\_\_ Date: \_\_\_\_\_

Guide:

- Base product
- Required option
- Optional Extra
- Critical Information
- Information Needed

## PRODUCT STYLE

**FXAXZ010 TIGA FX**  
£4,054.00

XA070 Open design

**Max User Weight 110kg (241lbs)**

**PLEASE NOTE: ALL RGK CHAIRS ARE HAND BUILT AND HAVE A MANUFACTURING MEASUREMENT TOLERANCE OF +/- 5MM**



## CAD APPROVAL

XW009 QUOTE ONLY (NO CAD FOR APPROVAL)  
£0.00

XW011 ORDER (NO CAD FOR APPROVAL)  
£0.00

XW012 QUOTE CAD drawing for approval  
£312.00 (2 customer amendments ONLY)

XW010 ORDER CAD drawing for approval  
£192.00 (2 customer amendments ONLY)

## KEY MEASUREMENTS

XY010 Seat width (Inside of sideguards)


 mm

(Max - 460mm)  
(Min - 250mm)

XY020 Seat length


 mm

(Max - 460mm)  
(Min - 250mm)

XY030 Extra seat length (Provides additional leg support & hand grip)


 mm

XY050 Front frame height


 mm

(Max - 550mm)  
(Min - 480mm)

XY060 Rear frame height


 mm

(Max - 550mm)  
(Min - 360mm)

XY070 Frame length


 mm

(Max 625mm)  
(Min XY020 + XY030 + 140mm)

XY072 Castor position


 mm

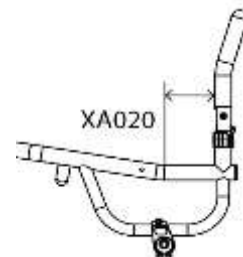
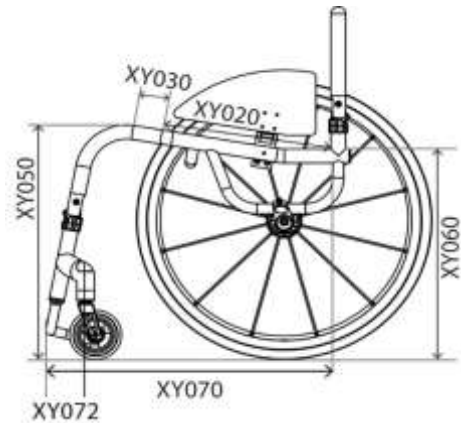
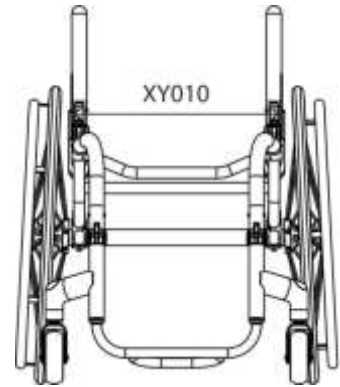
Optimise measurements

XA020 Ergonomic seat  
£59.00



Specify length  
 mm

(Standard = 120mm)



**FRONT FRAME AND FOOTREST**

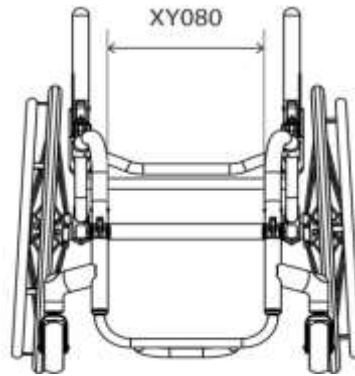
Front Frame Options

XY080 Seat taper design

Specify width

mm

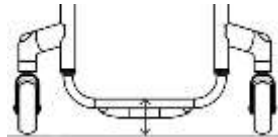
Optimise measurements (XY010 - 100mm)



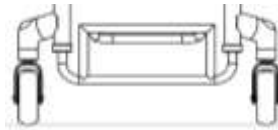
Footrest Design (Choose One)

XY100 Round design

Castor Size	Max Height	With XB200
3"	115mm	165mm
4"	125mm	175mm
5"	135mm	185mm

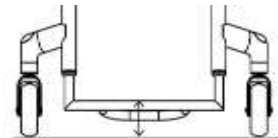


XB200 High level footrest (Only with XB010, XB080 & XB150)  
**£104.00**

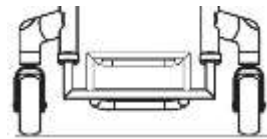


XY105 Square design

Castor Size	Max Height	With XB200
3"	135mm	185mm
4"	145mm	195mm
5"	155mm	205mm



XB200 High level footrest (Only with XB010, XB080 & XB150)  
**£104.00**



Footrest Individual Measurements

XY115 Front footrest height

mm

XY120 Rear footrest height

mm

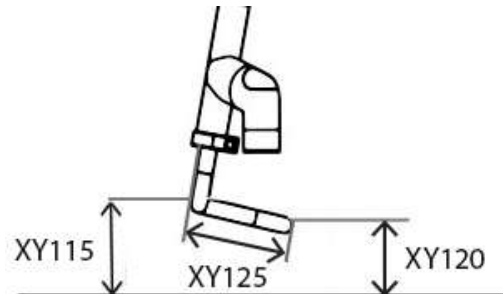
(Std = 20 lower than front height)

XY125 Footrest length

mm

(Std = 100mm)

(160mm and over requires heavy duty upgrade XB150)



Footrest Style and Cover

FXAXB080 Tubular footrest welded w/ Aluminium plate (Supplied with spacer for +20mm adjustment)

FXAXB120 Clamp-on aluminium plate footrest (Angle/height adjustable)

FXAXB110 Tubular footrest welded w/ Carbon Fibre plate (Supplied with spacer for +20mm adjustment)  
**£98.00**

Footrest Options

XB165 Rubber grip tape (3M safety walk)  
**£27.00**

**CASTOR WHEELS, FORKS & WHEEL LOCKS**

Castor Wheels  
100mm (4")

- XC060 Soft roll 4"x1.3"  
*(Black only)*
- XC110 Aluminium centre 4"x1"  
£94.00 *(Silver hub and black urethane tyre only)*
- XC130 Aluminium centre 4"x1.4"  
£94.00 *(choose colour below)*



- Silver hub & black tyre
- Gold hub & black tyre
- Purple hub & black tyre
- Black hub & black tyre
- Green hub & black tyre
- Red hub & black tyre
- Blue hub & black tyre

125mm (5")

- XC070 Soft roll 5"x1.3"  
*(Black only)*
- XC120 Aluminium centre 5"x1"  
£94.00 *(Silver hub and black urethane tyre only)*
- XC100 Pneumatic Aluminium centre 5"x1"  
£105.00 *(Grey only)*
- XC140 Aluminium centre 5"x1.4"  
£94.00 *(Silver hub and black urethane tyre only)*

150mm (6")

- XC080 Soft roll 6"x1.3"  
*(Black hub / Grey tyre only)*
- XC145 Aluminium centre 6"x1.4"  
£94.00 *(Silver hub and black urethane tyre only)*

Castor Forks

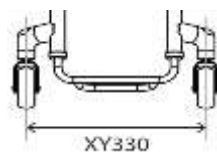
- XC190 Performance castor fork *(Std when no option selected)*  
*Note: Colour follows accent*
- XC210 Froglegs suspension castor fork  
£342.00
- XC192 High trail castor fork *Note: Greater distance between contact patch and steering axis reduces flutter at higher speeds. Colour follows accent*



- Black
- Silver

Castor Pin Width

- XY330 Castor pin width  
(XY010 plus 70mm)



Wheel Lock Options (Choose one)

- XD020 Underseat Scissor
- XD050 Push to lock
- XD030 Compact scissor  
£74.00
- XD046 Out Front push to lock  
£127.00
- XD035 Compact scissor with lightweight fixing  
£87.00 *(Only with fixed centre of gravity)*
- XD085 Eagle wheel locks (Indicate colour)  
£160.00
- XD086 Eagle WL with L/W fixing (Indicate colour)  
£174.00 *(Only with fixed centre of gravity)*
- XD010 Omit wheel locks

- BLACK
- PURPLE
- RED
- BLUE

Black Std if no option selected

**SIDEGUARDS AND ARMRESTS**

Sideguard

Aluminium Options

- XE080 Lift out aluminium  
£300.00
- FXAXE130 Fold flat aluminium  
£260.00

Carbon Fibre Options

- XE100 Lift out carbon fibre  
£406.00
- FXAXE150 Fold flat carbon fibre  
£420.00

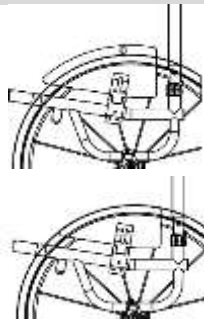
ABS Plastic Options

- XE120 Lift out ABS plastic  
£194.00
- FXAXE170 Fold flat ABS plastic  
£260.00

Sideguard Measurements

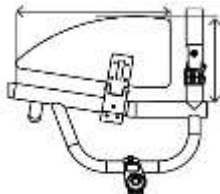
Optimised measurements

- 25mm above tyre  
(Follow tyre)
- Individual above tyre  
(Follow tyre)
- 
- Level with tyre  
(Follow tyre)



Individual measurements

- Sideguard length
- Sideguard height



Sideguard with Fender

Aluminium Options

- XE090 Lift out aluminium with fender  
£325.00
- FXAXE140 Fold flat aluminium with fender  
£285.00

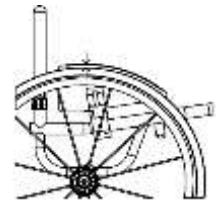
Carbon Fibre Options

- XE110 Lift out carbon fibre with fender  
£473.00
- FXAXE160 Fold flat carbon fibre with fender  
£512.00

Sideguard Measurements

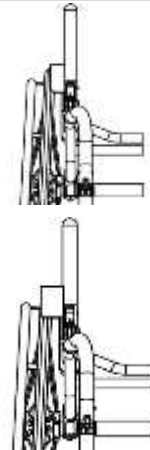
Fender height

- 10mm above tyre  
(Standard)
- Individual above tyre  
(Min = 10mm)
- 



Fender position

- Centre of tyre  
(Standard if no option selected)
- Outside of tyre



Armrest Options

- XF010 Lift out armrest with plastic sideguard  
£334.00  
(Indicate fixed height)
- XF020 Lift out armrest with Aluminium sideguard  
£334.00  
(Indicate fixed height)

Height (Top of seatrail to top of armrest)

-

**BACKREST**

Backrest Height

XY230 Fixed height backrest  
(Maximum 400mm)

**i** Specify height  
 mm



XY245 Adjustable height backrest  
£98.00  
(Maximum height 400mm  
(+/-25mm))

**i** Specify height  
 mm



Backrest Design

FXAXG060 Folding backrest with Q Lock  
(Black)

Ergonomic Options

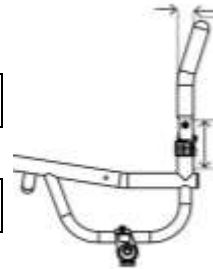
XY360 Backrest angle

**i**  -5  -3  0  +3  +5  
 Individual  Deg  
 (Max -7/+7 Deg)



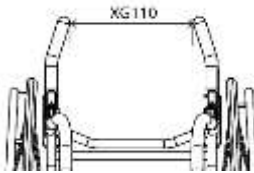
XG100 Ergonomic backrest  
£59.00

**i** Vertical height  
 mm  
**i** Rearward position  
 mm



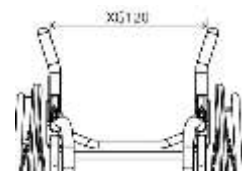
XG110 Inward taper  
£59.00  
(inside of backrest posts)

**i** Specify width or per side  
 mm



XG120 Outward flare  
£59.00  
(inside of backrest posts)

**i** Specify width or per side  
 mm



Push handle Options

XG070 Screw in push handles  
£115.00  
(N/A with XY245)

XG080 Flip down push handles  
£176.00  
(N/A with XY245)

XG085 Flip down push handles height adjustable  
£194.00  
(N/A with XY245)

XG097 Integrated push handle  
£194.00  
(Quickie design)

**CAMBER BAR**

Adjustable Centre of Gravity

XH110 Square back adjustable centre of gravity

(25-150mm)  
(Max seat width 500mm)

Specify measurement

mm



XH110

XH120 Round back adjustable centre of gravity

(60-150mm)

Specify measurement

mm



XH120

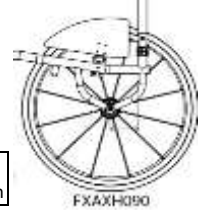
Fixed Centre of Gravity

FXAXH090 V-style fixed centre of gravity  
£245.00

(25-125mm)

Specify measurement

mm



FXAXH090

Specify Camber Angle

XY390 Camber angle



0

1

2

3

5

Specify Camber Angle

XY390 Camber angle



0

1

2

3

5

Camber Bar Options

FXAXK227 Standard Axle pin  
(120 or 130mm)

XK220 Titanium 130mm quick release axle pins (pair)  
£84.00 (N/A with XK010, XK070 or FXAXK226)

FXAXK226 100mm Titanium Axle pin  
£134.00 (Fixed Axle Only)

XK240 Quad release axle nuts (pair)  
£115.00 (N/A with FXAXK226)

Anti-Tip Options

XJ010 Swingaway anti tip LEFT side (Only with square  
back frame. Not with XH040)  
£105.00

XJ100 Single sport anti tip  
(centre mounted)  
£325.00

XJ020 Swingaway anti tip RIGHT side (Only with square  
back frame. Not with XH040)  
£105.00

REAR WHEELS	
Rear Wheel Size	
<input type="checkbox"/> XY420 24" Wheels	<input type="checkbox"/> XY430 25" Wheels
Rear Wheel Gap	
<input checked="" type="checkbox"/> XY460 Rear wheel gap <div style="display: flex; align-items: center; margin-top: 5px;"> <div style="text-align: center; margin-right: 10px;">   <input type="checkbox"/> 15  <input type="checkbox"/> 20  <input type="checkbox"/> 25         </div> <div style="margin-right: 10px;">Individual</div> <div style="border: 1px solid black; width: 100px; height: 20px; display: flex; align-items: center; justify-content: center;"> <span style="font-size: 8px;">mm</span> </div> </div>	
Rear Wheel Options	
<input type="checkbox"/> XK010 Fusion 16 spoke <i>(Silver Hub, black spokes)</i>	<input type="checkbox"/> XK320 Spinerger <b>XLX</b> 12 spoke <b>£585.00</b> <i>(cross/radial spoked)</i>
<input type="checkbox"/> XK050 Spinerger <b>LX</b> 12 spoke <b>£555.00</b>	<input type="checkbox"/> XK060 Spinerger <b>SPOX</b> 18 spoke <b>£418.00</b>
<input type="checkbox"/> XK150 Spinerger <b>CLX</b> 18 carbon blade spoke <b>£1,104.00</b> <i>N/A IN SILVER HUB</i>	<input type="checkbox"/> XK070 Spinerger <b>BLXL</b> 18 blade spoke <b>£585.00</b> <i>N/A IN SILVER HUB</i>
<b>Spinerger Colour Options:</b>	
<input type="checkbox"/> Black spokes	<input type="checkbox"/> White spokes
<input type="checkbox"/> Red spokes	<input type="checkbox"/> Blue spokes
<input type="checkbox"/> Purple spokes	<input type="checkbox"/> Orange spokes
<input type="checkbox"/> Yellow spokes	<input type="checkbox"/> Pink spokes
<input type="checkbox"/> Green spokes	<input type="checkbox"/> XK180 Individual spoke design <b>£130.00</b> <i>(Specify colour)</i> Inside: _____ Outside: _____
<b>Spinerger Anodise Options</b>	
<input type="checkbox"/> XK190 Black hub <i>(std option)</i>	<input type="checkbox"/> XK200 Silver hub <b>£68.00</b> <i>(n/a with BLXL/CLX)</i>
<input type="checkbox"/> XK202 Purple hub/rims <b>£203.00</b> <i>(LX, XLX &amp; BLXL only)</i>	<input type="checkbox"/> XK201 Red hub/rims <b>£203.00</b> <i>(LX, XLX &amp; BLXL only)</i>
<input type="checkbox"/> XK203 Blue hub/rims <b>£203.00</b> <i>(LX, XLX &amp; BLXL only)</i>	<input type="checkbox"/> XK204 Gold hub/rims <b>£203.00</b> <i>(LX, XLX &amp; BLXL only)</i>
<input type="checkbox"/> XK205 Individual hub/rims <b>£234.00</b> Select colour: _____	
Supply Without Wheels	
<input type="checkbox"/> XK040 Supply without Wheels <b>-£136.00</b>	<div style="display: flex; justify-content: space-between; margin-top: 5px;"> <div style="border: 1px solid black; padding: 2px; width: 40%;">Wheel type:</div> <div style="border: 1px solid black; padding: 2px; width: 40%;">Tyre Type:</div> </div>
Handrim Position / Options	
<input type="checkbox"/> XY480 Narrow set handrim	<input type="checkbox"/> XY485 Wide set handrim
<input type="checkbox"/> XL090 Remove excess mounting tabs <b>£75.00</b> <i>(recommended for small wheel gaps)</i>	
Handrim Styles	
<input type="checkbox"/> XL010 Aluminium hard anodised 6 tab <i>(Standard if no option selected)</i>	<input type="checkbox"/> XL040 Titanium 6 tab <b>£178.00</b>
<input type="checkbox"/> XL160 Elipse 6 tab <b>£250.00</b> <i>(replacement for Surge)</i>	<input type="checkbox"/> XL035 Natural Fit LT <b>£223.00</b>
<input type="checkbox"/> XL020 Tetra grip 6 tab <b>£210.00</b>	<input type="checkbox"/> XL150 Carbolife Gekko <b>£442.00</b>
<input type="checkbox"/> XL100 Para grip 6 tab <b>£210.00</b>	<input type="checkbox"/> XL170 Carbolife Curve L (Black) <b>£473.00</b>
<input type="checkbox"/> XM010 Kenda <input type="checkbox"/> Grey <input type="checkbox"/> Blue <input type="checkbox"/> Red <i>(Std)</i>	<input type="checkbox"/> XM060 Schwalbe One (24",25" only) <b>£70.00</b>
<input type="checkbox"/> XM130 Kenda black <b>£26.00</b>	<input type="checkbox"/> XM050 Kenda K885 mountain bike tyre (24",25" only) <b>£20.00</b>
<input type="checkbox"/> XM020 Schwalbe Marathon Plus <b>£50.00</b>	
<input type="checkbox"/> XM040 Shox solid airless <b>£83.00</b>	
Inner Tube Valve Options	
<input type="checkbox"/> XY500 Schraeder inner tube valve <i>(Standard if no option selected)</i>	<input type="checkbox"/> XY490 Presta inner tube valve
Wheel Accessories	
<input type="checkbox"/> XK310 Offroad wheel set 24" rim with handrim, MTB tyre and axle pins <b>£478.00</b> <i>(Replaces 25" wheel with XM010)</i>	<input type="checkbox"/> XK300 Offroad wheel set 22" rim with handrim, MTB tyre and axle pins <b>£478.00</b> <i>(Replaces 24" wheel with XM010)</i>



## FINISH OPTIONS

### Frame & Component Finish

- |  |  |                          |                          |                          |                          |                          |                          |                          |                          |                          |                          |                          |                          |                          |                          |                          |                          |                          |                          |                          |                          |                          |                          |                 |                          |                          |                     |                          |                          |                      |                          |                          |                |                          |                          |                        |                          |                          |                |                          |                          |                  |                          |                          |                  |  |                          |                          |                |                          |                          |                |                          |                          |               |                          |                          |                     |                          |                          |                    |
|--|--|--------------------------|--------------------------|--------------------------|--------------------------|--------------------------|--------------------------|--------------------------|--------------------------|--------------------------|--------------------------|--------------------------|--------------------------|--------------------------|--------------------------|--------------------------|--------------------------|--------------------------|--------------------------|--------------------------|--------------------------|--------------------------|--------------------------|-----------------|--------------------------|--------------------------|---------------------|--------------------------|--------------------------|----------------------|--------------------------|--------------------------|----------------|--------------------------|--------------------------|------------------------|--------------------------|--------------------------|----------------|--------------------------|--------------------------|------------------|--------------------------|--------------------------|------------------|--|--------------------------|--------------------------|----------------|--------------------------|--------------------------|----------------|--------------------------|--------------------------|---------------|--------------------------|--------------------------|---------------------|--------------------------|--------------------------|--------------------|
| <input type="checkbox"/> XN010 Powder coated frame   | <input type="checkbox"/> XN150 Powder coated components ( <i>Frame colour if not specified</i> )   |                          |                          |                          |                          |                          |                          |                          |                          |                          |                          |                          |                          |                          |                          |                          |                          |                          |                          |                          |                          |                          |                          |                 |                          |                          |                     |                          |                          |                      |                          |                          |                |                          |                          |                        |                          |                          |                |                          |                          |                  |                          |                          |                  |  |                          |                          |                |                          |                          |                |                          |                          |               |                          |                          |                     |                          |                          |                    |
| <b>Gloss</b>   | <b>Matt</b>  |                          |                          |                          |                          |                          |                          |                          |                          |                          |                          |                          |                          |                          |                          |                          |                          |                          |                          |                          |                          |                          |                          |                 |                          |                          |                     |                          |                          |                      |                          |                          |                |                          |                          |                        |                          |                          |                |                          |                          |                  |                          |                          |                  |  |                          |                          |                |                          |                          |                |                          |                          |               |                          |                          |                     |                          |                          |                    |
| <table border="0"> <tr><td><input type="checkbox"/></td><td><input type="checkbox"/></td><td>Black gloss 103</td></tr> <tr><td><input type="checkbox"/></td><td><input type="checkbox"/></td><td>White gloss 100</td></tr> <tr><td><input type="checkbox"/></td><td><input type="checkbox"/></td><td>Grey gloss 132</td></tr> <tr><td><input type="checkbox"/></td><td><input type="checkbox"/></td><td>Cream gloss 135</td></tr> <tr><td><input type="checkbox"/></td><td><input type="checkbox"/></td><td>Red gloss 108</td></tr> <tr><td><input type="checkbox"/></td><td><input type="checkbox"/></td><td>Yellow gloss 120</td></tr> <tr><td><input type="checkbox"/></td><td><input type="checkbox"/></td><td>Forest green gloss 143</td></tr> <tr><td><input type="checkbox"/></td><td><input type="checkbox"/></td><td>Green gloss 107</td></tr> <tr><td><input type="checkbox"/></td><td><input type="checkbox"/></td><td>Dark blue gloss 151</td></tr> <tr><td><input type="checkbox"/></td><td><input type="checkbox"/></td><td>Royal blue gloss 154</td></tr> <tr><td><input type="checkbox"/></td><td><input type="checkbox"/></td><td>Blue gloss 174</td></tr> <tr><td><input type="checkbox"/></td><td><input type="checkbox"/></td><td>Duckegg blue gloss 141</td></tr> <tr><td><input type="checkbox"/></td><td><input type="checkbox"/></td><td>Pink gloss 188</td></tr> <tr><td><input type="checkbox"/></td><td><input type="checkbox"/></td><td>Orange gloss 180</td></tr> <tr><td><input type="checkbox"/></td><td><input type="checkbox"/></td><td>Purple gloss 157</td></tr> </table> | <input type="checkbox"/>   | <input type="checkbox"/> | Black gloss 103          | <input type="checkbox"/> | <input type="checkbox"/> | White gloss 100          | <input type="checkbox"/> | <input type="checkbox"/> | Grey gloss 132           | <input type="checkbox"/> | <input type="checkbox"/> | Cream gloss 135          | <input type="checkbox"/> | <input type="checkbox"/> | Red gloss 108            | <input type="checkbox"/> | <input type="checkbox"/> | Yellow gloss 120         | <input type="checkbox"/> | <input type="checkbox"/> | Forest green gloss 143   | <input type="checkbox"/> | <input type="checkbox"/> | Green gloss 107 | <input type="checkbox"/> | <input type="checkbox"/> | Dark blue gloss 151 | <input type="checkbox"/> | <input type="checkbox"/> | Royal blue gloss 154 | <input type="checkbox"/> | <input type="checkbox"/> | Blue gloss 174 | <input type="checkbox"/> | <input type="checkbox"/> | Duckegg blue gloss 141 | <input type="checkbox"/> | <input type="checkbox"/> | Pink gloss 188 | <input type="checkbox"/> | <input type="checkbox"/> | Orange gloss 180 | <input type="checkbox"/> | <input type="checkbox"/> | Purple gloss 157 | <table border="0"> <tr><td><input type="checkbox"/></td><td><input type="checkbox"/></td><td>Black matt 105</td></tr> <tr><td><input type="checkbox"/></td><td><input type="checkbox"/></td><td>White matt 101</td></tr> <tr><td><input type="checkbox"/></td><td><input type="checkbox"/></td><td>Grey matt 131</td></tr> <tr><td><input type="checkbox"/></td><td><input type="checkbox"/></td><td>Light grey matt 133</td></tr> <tr><td><input type="checkbox"/></td><td><input type="checkbox"/></td><td>Navy blue matt 152</td></tr> </table> | <input type="checkbox"/> | <input type="checkbox"/> | Black matt 105 | <input type="checkbox"/> | <input type="checkbox"/> | White matt 101 | <input type="checkbox"/> | <input type="checkbox"/> | Grey matt 131 | <input type="checkbox"/> | <input type="checkbox"/> | Light grey matt 133 | <input type="checkbox"/> | <input type="checkbox"/> | Navy blue matt 152 |
| <input type="checkbox"/>   | <input type="checkbox"/>   | Black gloss 103          |                          |                          |                          |                          |                          |                          |                          |                          |                          |                          |                          |                          |                          |                          |                          |                          |                          |                          |                          |                          |                          |                 |                          |                          |                     |                          |                          |                      |                          |                          |                |                          |                          |                        |                          |                          |                |                          |                          |                  |                          |                          |                  |  |                          |                          |                |                          |                          |                |                          |                          |               |                          |                          |                     |                          |                          |                    |
| <input type="checkbox"/>   | <input type="checkbox"/>   | White gloss 100          |                          |                          |                          |                          |                          |                          |                          |                          |                          |                          |                          |                          |                          |                          |                          |                          |                          |                          |                          |                          |                          |                 |                          |                          |                     |                          |                          |                      |                          |                          |                |                          |                          |                        |                          |                          |                |                          |                          |                  |                          |                          |                  |  |                          |                          |                |                          |                          |                |                          |                          |               |                          |                          |                     |                          |                          |                    |
| <input type="checkbox"/>   | <input type="checkbox"/>   | Grey gloss 132           |                          |                          |                          |                          |                          |                          |                          |                          |                          |                          |                          |                          |                          |                          |                          |                          |                          |                          |                          |                          |                          |                 |                          |                          |                     |                          |                          |                      |                          |                          |                |                          |                          |                        |                          |                          |                |                          |                          |                  |                          |                          |                  |  |                          |                          |                |                          |                          |                |                          |                          |               |                          |                          |                     |                          |                          |                    |
| <input type="checkbox"/>   | <input type="checkbox"/>   | Cream gloss 135          |                          |                          |                          |                          |                          |                          |                          |                          |                          |                          |                          |                          |                          |                          |                          |                          |                          |                          |                          |                          |                          |                 |                          |                          |                     |                          |                          |                      |                          |                          |                |                          |                          |                        |                          |                          |                |                          |                          |                  |                          |                          |                  |  |                          |                          |                |                          |                          |                |                          |                          |               |                          |                          |                     |                          |                          |                    |
| <input type="checkbox"/>   | <input type="checkbox"/>   | Red gloss 108            |                          |                          |                          |                          |                          |                          |                          |                          |                          |                          |                          |                          |                          |                          |                          |                          |                          |                          |                          |                          |                          |                 |                          |                          |                     |                          |                          |                      |                          |                          |                |                          |                          |                        |                          |                          |                |                          |                          |                  |                          |                          |                  |  |                          |                          |                |                          |                          |                |                          |                          |               |                          |                          |                     |                          |                          |                    |
| <input type="checkbox"/>   | <input type="checkbox"/>   | Yellow gloss 120         |                          |                          |                          |                          |                          |                          |                          |                          |                          |                          |                          |                          |                          |                          |                          |                          |                          |                          |                          |                          |                          |                 |                          |                          |                     |                          |                          |                      |                          |                          |                |                          |                          |                        |                          |                          |                |                          |                          |                  |                          |                          |                  |  |                          |                          |                |                          |                          |                |                          |                          |               |                          |                          |                     |                          |                          |                    |
| <input type="checkbox"/>   | <input type="checkbox"/>   | Forest green gloss 143   |                          |                          |                          |                          |                          |                          |                          |                          |                          |                          |                          |                          |                          |                          |                          |                          |                          |                          |                          |                          |                          |                 |                          |                          |                     |                          |                          |                      |                          |                          |                |                          |                          |                        |                          |                          |                |                          |                          |                  |                          |                          |                  |  |                          |                          |                |                          |                          |                |                          |                          |               |                          |                          |                     |                          |                          |                    |
| <input type="checkbox"/>   | <input type="checkbox"/>   | Green gloss 107          |                          |                          |                          |                          |                          |                          |                          |                          |                          |                          |                          |                          |                          |                          |                          |                          |                          |                          |                          |                          |                          |                 |                          |                          |                     |                          |                          |                      |                          |                          |                |                          |                          |                        |                          |                          |                |                          |                          |                  |                          |                          |                  |  |                          |                          |                |                          |                          |                |                          |                          |               |                          |                          |                     |                          |                          |                    |
| <input type="checkbox"/>   | <input type="checkbox"/>   | Dark blue gloss 151      |                          |                          |                          |                          |                          |                          |                          |                          |                          |                          |                          |                          |                          |                          |                          |                          |                          |                          |                          |                          |                          |                 |                          |                          |                     |                          |                          |                      |                          |                          |                |                          |                          |                        |                          |                          |                |                          |                          |                  |                          |                          |                  |  |                          |                          |                |                          |                          |                |                          |                          |               |                          |                          |                     |                          |                          |                    |
| <input type="checkbox"/>   | <input type="checkbox"/>   | Royal blue gloss 154     |                          |                          |                          |                          |                          |                          |                          |                          |                          |                          |                          |                          |                          |                          |                          |                          |                          |                          |                          |                          |                          |                 |                          |                          |                     |                          |                          |                      |                          |                          |                |                          |                          |                        |                          |                          |                |                          |                          |                  |                          |                          |                  |  |                          |                          |                |                          |                          |                |                          |                          |               |                          |                          |                     |                          |                          |                    |
| <input type="checkbox"/>   | <input type="checkbox"/>   | Blue gloss 174           |                          |                          |                          |                          |                          |                          |                          |                          |                          |                          |                          |                          |                          |                          |                          |                          |                          |                          |                          |                          |                          |                 |                          |                          |                     |                          |                          |                      |                          |                          |                |                          |                          |                        |                          |                          |                |                          |                          |                  |                          |                          |                  |  |                          |                          |                |                          |                          |                |                          |                          |               |                          |                          |                     |                          |                          |                    |
| <input type="checkbox"/>   | <input type="checkbox"/>   | Duckegg blue gloss 141   |                          |                          |                          |                          |                          |                          |                          |                          |                          |                          |                          |                          |                          |                          |                          |                          |                          |                          |                          |                          |                          |                 |                          |                          |                     |                          |                          |                      |                          |                          |                |                          |                          |                        |                          |                          |                |                          |                          |                  |                          |                          |                  |  |                          |                          |                |                          |                          |                |                          |                          |               |                          |                          |                     |                          |                          |                    |
| <input type="checkbox"/>   | <input type="checkbox"/>   | Pink gloss 188           |                          |                          |                          |                          |                          |                          |                          |                          |                          |                          |                          |                          |                          |                          |                          |                          |                          |                          |                          |                          |                          |                 |                          |                          |                     |                          |                          |                      |                          |                          |                |                          |                          |                        |                          |                          |                |                          |                          |                  |                          |                          |                  |  |                          |                          |                |                          |                          |                |                          |                          |               |                          |                          |                     |                          |                          |                    |
| <input type="checkbox"/>   | <input type="checkbox"/>   | Orange gloss 180         |                          |                          |                          |                          |                          |                          |                          |                          |                          |                          |                          |                          |                          |                          |                          |                          |                          |                          |                          |                          |                          |                 |                          |                          |                     |                          |                          |                      |                          |                          |                |                          |                          |                        |                          |                          |                |                          |                          |                  |                          |                          |                  |  |                          |                          |                |                          |                          |                |                          |                          |               |                          |                          |                     |                          |                          |                    |
| <input type="checkbox"/>   | <input type="checkbox"/>   | Purple gloss 157         |                          |                          |                          |                          |                          |                          |                          |                          |                          |                          |                          |                          |                          |                          |                          |                          |                          |                          |                          |                          |                          |                 |                          |                          |                     |                          |                          |                      |                          |                          |                |                          |                          |                        |                          |                          |                |                          |                          |                  |                          |                          |                  |  |                          |                          |                |                          |                          |                |                          |                          |               |                          |                          |                     |                          |                          |                    |
| <input type="checkbox"/>   | <input type="checkbox"/>   | Black matt 105           |                          |                          |                          |                          |                          |                          |                          |                          |                          |                          |                          |                          |                          |                          |                          |                          |                          |                          |                          |                          |                          |                 |                          |                          |                     |                          |                          |                      |                          |                          |                |                          |                          |                        |                          |                          |                |                          |                          |                  |                          |                          |                  |  |                          |                          |                |                          |                          |                |                          |                          |               |                          |                          |                     |                          |                          |                    |
| <input type="checkbox"/>   | <input type="checkbox"/>   | White matt 101           |                          |                          |                          |                          |                          |                          |                          |                          |                          |                          |                          |                          |                          |                          |                          |                          |                          |                          |                          |                          |                          |                 |                          |                          |                     |                          |                          |                      |                          |                          |                |                          |                          |                        |                          |                          |                |                          |                          |                  |                          |                          |                  |  |                          |                          |                |                          |                          |                |                          |                          |               |                          |                          |                     |                          |                          |                    |
| <input type="checkbox"/>   | <input type="checkbox"/>   | Grey matt 131            |                          |                          |                          |                          |                          |                          |                          |                          |                          |                          |                          |                          |                          |                          |                          |                          |                          |                          |                          |                          |                          |                 |                          |                          |                     |                          |                          |                      |                          |                          |                |                          |                          |                        |                          |                          |                |                          |                          |                  |                          |                          |                  |  |                          |                          |                |                          |                          |                |                          |                          |               |                          |                          |                     |                          |                          |                    |
| <input type="checkbox"/>   | <input type="checkbox"/>   | Light grey matt 133      |                          |                          |                          |                          |                          |                          |                          |                          |                          |                          |                          |                          |                          |                          |                          |                          |                          |                          |                          |                          |                          |                 |                          |                          |                     |                          |                          |                      |                          |                          |                |                          |                          |                        |                          |                          |                |                          |                          |                  |                          |                          |                  |  |                          |                          |                |                          |                          |                |                          |                          |               |                          |                          |                     |                          |                          |                    |
| <input type="checkbox"/>   | <input type="checkbox"/>   | Navy blue matt 152       |                          |                          |                          |                          |                          |                          |                          |                          |                          |                          |                          |                          |                          |                          |                          |                          |                          |                          |                          |                          |                          |                 |                          |                          |                     |                          |                          |                      |                          |                          |                |                          |                          |                        |                          |                          |                |                          |                          |                  |                          |                          |                  |  |                          |                          |                |                          |                          |                |                          |                          |               |                          |                          |                     |                          |                          |                    |
|  | <table border="0"> <tr><td><input type="checkbox"/></td><td><input type="checkbox"/></td><td>Chrome Mirror 300</td></tr> <tr><td><input type="checkbox"/></td><td><input type="checkbox"/></td><td>Sparkle silver 170</td></tr> <tr><td><input type="checkbox"/></td><td><input type="checkbox"/></td><td>Metallic black matt 104</td></tr> <tr><td><input type="checkbox"/></td><td><input type="checkbox"/></td><td>Metallic grey matt 130</td></tr> <tr><td><input type="checkbox"/></td><td><input type="checkbox"/></td><td>Black sandpaper 201</td></tr> <tr><td><input type="checkbox"/></td><td><input type="checkbox"/></td><td>Grey sandpaper 202</td></tr> <tr><td><input type="checkbox"/></td><td><input type="checkbox"/></td><td>White sandpaper 200</td></tr> </table> | <input type="checkbox"/> | <input type="checkbox"/> | Chrome Mirror 300        | <input type="checkbox"/> | <input type="checkbox"/> | Sparkle silver 170       | <input type="checkbox"/> | <input type="checkbox"/> | Metallic black matt 104  | <input type="checkbox"/> | <input type="checkbox"/> | Metallic grey matt 130   | <input type="checkbox"/> | <input type="checkbox"/> | Black sandpaper 201      | <input type="checkbox"/> | <input type="checkbox"/> | Grey sandpaper 202       | <input type="checkbox"/> | <input type="checkbox"/> | White sandpaper 200      |                          |                 |                          |                          |                     |                          |                          |                      |                          |                          |                |                          |                          |                        |                          |                          |                |                          |                          |                  |                          |                          |                  |  |                          |                          |                |                          |                          |                |                          |                          |               |                          |                          |                     |                          |                          |                    |
| <input type="checkbox"/>   | <input type="checkbox"/>   | Chrome Mirror 300        |                          |                          |                          |                          |                          |                          |                          |                          |                          |                          |                          |                          |                          |                          |                          |                          |                          |                          |                          |                          |                          |                 |                          |                          |                     |                          |                          |                      |                          |                          |                |                          |                          |                        |                          |                          |                |                          |                          |                  |                          |                          |                  |  |                          |                          |                |                          |                          |                |                          |                          |               |                          |                          |                     |                          |                          |                    |
| <input type="checkbox"/>   | <input type="checkbox"/>   | Sparkle silver 170       |                          |                          |                          |                          |                          |                          |                          |                          |                          |                          |                          |                          |                          |                          |                          |                          |                          |                          |                          |                          |                          |                 |                          |                          |                     |                          |                          |                      |                          |                          |                |                          |                          |                        |                          |                          |                |                          |                          |                  |                          |                          |                  |  |                          |                          |                |                          |                          |                |                          |                          |               |                          |                          |                     |                          |                          |                    |
| <input type="checkbox"/>   | <input type="checkbox"/>   | Metallic black matt 104  |                          |                          |                          |                          |                          |                          |                          |                          |                          |                          |                          |                          |                          |                          |                          |                          |                          |                          |                          |                          |                          |                 |                          |                          |                     |                          |                          |                      |                          |                          |                |                          |                          |                        |                          |                          |                |                          |                          |                  |                          |                          |                  |  |                          |                          |                |                          |                          |                |                          |                          |               |                          |                          |                     |                          |                          |                    |
| <input type="checkbox"/>   | <input type="checkbox"/>   | Metallic grey matt 130   |                          |                          |                          |                          |                          |                          |                          |                          |                          |                          |                          |                          |                          |                          |                          |                          |                          |                          |                          |                          |                          |                 |                          |                          |                     |                          |                          |                      |                          |                          |                |                          |                          |                        |                          |                          |                |                          |                          |                  |                          |                          |                  |  |                          |                          |                |                          |                          |                |                          |                          |               |                          |                          |                     |                          |                          |                    |
| <input type="checkbox"/>   | <input type="checkbox"/>   | Black sandpaper 201      |                          |                          |                          |                          |                          |                          |                          |                          |                          |                          |                          |                          |                          |                          |                          |                          |                          |                          |                          |                          |                          |                 |                          |                          |                     |                          |                          |                      |                          |                          |                |                          |                          |                        |                          |                          |                |                          |                          |                  |                          |                          |                  |  |                          |                          |                |                          |                          |                |                          |                          |               |                          |                          |                     |                          |                          |                    |
| <input type="checkbox"/>   | <input type="checkbox"/>   | Grey sandpaper 202       |                          |                          |                          |                          |                          |                          |                          |                          |                          |                          |                          |                          |                          |                          |                          |                          |                          |                          |                          |                          |                          |                 |                          |                          |                     |                          |                          |                      |                          |                          |                |                          |                          |                        |                          |                          |                |                          |                          |                  |                          |                          |                  |  |                          |                          |                |                          |                          |                |                          |                          |               |                          |                          |                     |                          |                          |                    |
| <input type="checkbox"/>   | <input type="checkbox"/>   | White sandpaper 200      |                          |                          |                          |                          |                          |                          |                          |                          |                          |                          |                          |                          |                          |                          |                          |                          |                          |                          |                          |                          |                          |                 |                          |                          |                     |                          |                          |                      |                          |                          |                |                          |                          |                        |                          |                          |                |                          |                          |                  |                          |                          |                  |  |                          |                          |                |                          |                          |                |                          |                          |               |                          |                          |                     |                          |                          |                    |
| <input type="checkbox"/> FXAXN030 Brushed frame<br>£176.00 ( <i>All parts black unless XN160 chosen</i> )  | <input type="checkbox"/> XN200 Individual paint colour (State Colour/RAL code)<br>£127.00  |                          |                          |                          |                          |                          |                          |                          |                          |                          |                          |                          |                          |                          |                          |                          |                          |                          |                          |                          |                          |                          |                          |                 |                          |                          |                     |                          |                          |                      |                          |                          |                |                          |                          |                        |                          |                          |                |                          |                          |                  |                          |                          |                  |  |                          |                          |                |                          |                          |                |                          |                          |               |                          |                          |                     |                          |                          |                    |
| <input type="checkbox"/> FXAXN050 Polished frame<br>£486.00 ( <i>All parts black unless XN170 chosen</i> )   | <table border="0"> <tr><td>Frame</td><td>Comp</td></tr> <tr><td><input type="checkbox"/></td><td><input type="checkbox"/></td></tr> </table>   | Frame                    | Comp                     | <input type="checkbox"/> | <input type="checkbox"/> |                          |                          |                          |                          |                          |                          |                          |                          |                          |                          |                          |                          |                          |                          |                          |                          |                          |                          |                 |                          |                          |                     |                          |                          |                      |                          |                          |                |                          |                          |                        |                          |                          |                |                          |                          |                  |                          |                          |                  |  |                          |                          |                |                          |                          |                |                          |                          |               |                          |                          |                     |                          |                          |                    |
| Frame  | Comp   |                          |                          |                          |                          |                          |                          |                          |                          |                          |                          |                          |                          |                          |                          |                          |                          |                          |                          |                          |                          |                          |                          |                 |                          |                          |                     |                          |                          |                      |                          |                          |                |                          |                          |                        |                          |                          |                |                          |                          |                  |                          |                          |                  |  |                          |                          |                |                          |                          |                |                          |                          |               |                          |                          |                     |                          |                          |                    |
| <input type="checkbox"/>   | <input type="checkbox"/>   |                          |                          |                          |                          |                          |                          |                          |                          |                          |                          |                          |                          |                          |                          |                          |                          |                          |                          |                          |                          |                          |                          |                 |                          |                          |                     |                          |                          |                      |                          |                          |                |                          |                          |                        |                          |                          |                |                          |                          |                  |                          |                          |                  |  |                          |                          |                |                          |                          |                |                          |                          |               |                          |                          |                     |                          |                          |                    |
| <input type="checkbox"/> XN160 Brushed components<br>£97.00  |  |                          |                          |                          |                          |                          |                          |                          |                          |                          |                          |                          |                          |                          |                          |                          |                          |                          |                          |                          |                          |                          |                          |                 |                          |                          |                     |                          |                          |                      |                          |                          |                |                          |                          |                        |                          |                          |                |                          |                          |                  |                          |                          |                  |  |                          |                          |                |                          |                          |                |                          |                          |               |                          |                          |                     |                          |                          |                    |
| <input type="checkbox"/> XN170 Polished components<br>£143.00  |  |                          |                          |                          |                          |                          |                          |                          |                          |                          |                          |                          |                          |                          |                          |                          |                          |                          |                          |                          |                          |                          |                          |                 |                          |                          |                     |                          |                          |                      |                          |                          |                |                          |                          |                        |                          |                          |                |                          |                          |                  |                          |                          |                  |  |                          |                          |                |                          |                          |                |                          |                          |               |                          |                          |                     |                          |                          |                    |

### Accent Colour

**Note:** Accent colour includes, forks & castor caps.

- |  |   |  |
|--|---|--|
| <input type="checkbox"/> Black accent  | <input type="checkbox"/> Silver accent  | <input type="checkbox"/> XN250 Individual Accent Colour<br>£127.00 |
| <input type="checkbox"/> Red accent    | <input type="checkbox"/> Blue accent  |  |
| <input type="checkbox"/> Purple accent | <input type="checkbox"/> Carbon accent<br>( <i>Castor caps only, black for rest</i> ) |  |

## UPHOLSTERY

### Seat Upholstery

- |  |   |
|--|---|
| <input type="checkbox"/> XP040 Seat sling adjustable tension with straps | <input type="checkbox"/> XR050 Carbon fibre seat plate<br>£250.00 |
|--|---|

### Backrest Upholstery

- |  |   |
|--|---|
| <input type="checkbox"/> XP050 Airtech backrest strap adjustable | <input type="checkbox"/> XP060 Backrest upgrade to full leather<br>£256.00 ( <i>Black</i> )   |
|  | <input type="checkbox"/> XP070 Backrest upgrade to leather corners<br>£89.00 ( <i>Black</i> ) |

### Backrest Stitching Colour

- |                                 |                                 |                                 |                                      |
|---------------------------------|---------------------------------|---------------------------------|--------------------------------------|
| <input type="checkbox"/> Silver | <input type="checkbox"/> Black  | <input type="checkbox"/> Blue   | <input type="checkbox"/> Individual: |
| <input type="checkbox"/> Red    | <input type="checkbox"/> Orange | <input type="checkbox"/> Purple | _____                                |

### RGK Logo Colour

- |                                      |                                 |                                 |                                      |
|--------------------------------------|---------------------------------|---------------------------------|--------------------------------------|
| <input type="checkbox"/> White (Std) | <input type="checkbox"/> Green  | <input type="checkbox"/> Blue   | <input type="checkbox"/> Individual: |
| <input type="checkbox"/> Red         | <input type="checkbox"/> Orange | <input type="checkbox"/> Purple | _____                                |

### Model Logo Colour

- |                                      |                                 |                                 |                                      |
|--------------------------------------|---------------------------------|---------------------------------|--------------------------------------|
| <input type="checkbox"/> White (Std) | <input type="checkbox"/> Green  | <input type="checkbox"/> Blue   | <input type="checkbox"/> Individual: |
| <input type="checkbox"/> Red         | <input type="checkbox"/> Orange | <input type="checkbox"/> Purple | _____                                |

### Backrest Accessories

- |   |   |
|---|---|
| <input type="checkbox"/> XP110 Backrest with zip pocket<br>£66.00 | <input type="checkbox"/> XP170 Individual backrest embroidery<br>£101.00 <i>PLEASE COMPLETE PAGE 11</i> |
|---|---|

## CUSHION

### Cushion foam options

- XP080 Cushion foam  
£62.00 (select density and size below)
- |  |  |                                |
|--|--|--------------------------------|
| <input type="checkbox"/> Soft (CMS040) | <input type="checkbox"/> Medium (CMS050) |                                |
| <input type="checkbox"/> 50mm          | <input type="checkbox"/> 75mm            | <input type="checkbox"/> 100mm |

### Cushion cover Upgrades

- XP085 Nylon cushion cover  
(Black)
- XP090 Air Lite cushion cover  
£48.00 (Black)
- XP100 Leather cushion cover  
£157.00 (Black)

### Jay Products - PLEASE PROVIDE JAY ORDER FORM

- |  |  |
|--|--|
| <input type="checkbox"/> JAY Cushion<br>(Price dependant on size / option)           | <input type="checkbox"/> Jay Order form attached |
| <input type="checkbox"/> JAY Backrest<br>(Price dependant on size / option)          | <input type="checkbox"/> Jay Order form attached |
| <input type="checkbox"/> JAY Whitmyer Headrest<br>(Price dependant on size / option) | <input type="checkbox"/> Jay Order form attached |

## ACCESSORIES

- XR080 Frontwheel assembly  
£539.00 (Only with tubular style footrest))
- XP120 Frame protectors Neoprene zip fasten  
£53.00 (Black)
- XP420 Frame protectors Nylon velcro fasten  
£35.00 (Black)
- XR010 Seat pouch velcro attach (Black)  
£28.00
- XR200 Rucksack with RGK logo (Black)  
£47.00
- XR100 FX carry bag  
£248.00
- XR090 Tool kit
- XS060 Calf strap

**DONATE / PART EXCHANGE**

Donate your old chair for up to £250 off this order\*

\*Participating RGK resellers only. Any donation chair must include a functional frame and wheels. RGK will replace the upholstery and arrange delivery to a worthy cause.

Chair Make/Model: \_\_\_\_\_

Chair Serial/Ref No: \_\_\_\_\_

Agreed Value: \_\_\_\_\_

Part Exchange your old chair for up to £750 off this order\*

\*Participating RGK resellers only. Any Part Exchange chair must be less than 5 years old and include a functional frame, componentry and wheels.

Chair Make/Model: \_\_\_\_\_

Chair Serial/Ref No: \_\_\_\_\_

Agreed Value: \_\_\_\_\_

**ADDITIONAL NOTES**

**INDIVIDUAL BACKREST EMBROIDERY**

PLEASE PROVIDE JPEG IMAGE AT TIME OF ORDER AND NOTE POSITION BELOW



**SPEC NOTES:**

Grid area for specifying notes.

**OFF SPEC REQUEST\*** *(please specify below the page number(s) and details to which the off spec request applies.*

**OFF SPEC REQUEST APPROVED** *(for internal RGK office only)*

X  
*RGK Internal Sign-off*

Grid area for off-spec request details.

Off spec requests require a feasibility study which may increase order price and lead time. Any dimension/ option/ frame request not listed on the order form will be treated as an off spec request.\*