

Deliver to:
 Name:
 Street:
 Town: Postal code:
 E-Mail:
 Tel: Fax:

Deliver to:
 Name:
 Street:
 Town: Postal code:
 E-Mail:
 Tel: Fax:

Order date:
 Purchase order:
 Number required:



Marked for:
 Sunrise order no:

- Order
- Built-4-Me

- = Standard
- = Cost option
- = No cost option

Customer service fax number 0845 605 66 89

Part No: 47300001

Max. user weight: 125kg

Base price £7,995

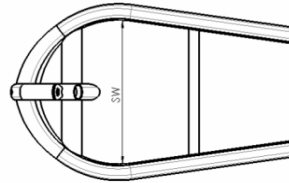
USER WEIGHT kg

Mandatory information to ensure correct configuration

CLIENT MEASUREMENT

Seat width in cm

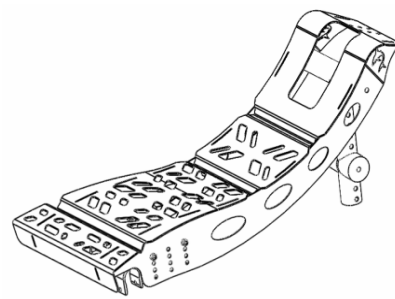
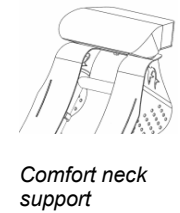
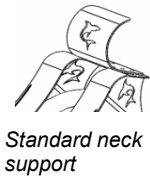
| | | |
|-----------------------|-----------------------|-----------------------|
| 38 | 40 | 42 |
| <input type="radio"/> | <input type="radio"/> | <input type="radio"/> |
| W38 | W40 | W42 |



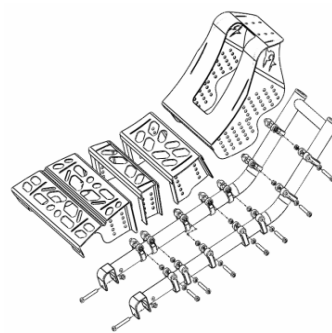
£

BACKREST

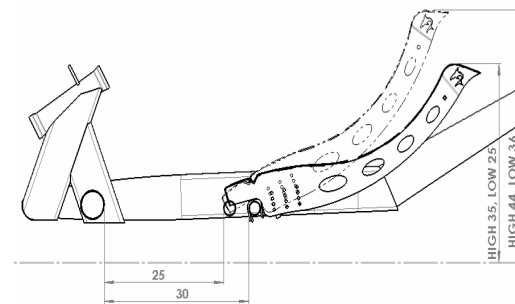
| | | |
|--------------------------|---|---|
| SRT030001 | <input type="radio"/> Standard backrest - height and angle adjustable | |
| SRT030005 | <input type="checkbox"/> Performance backrest | 346 |
| Backrest position | | |
| SRT030007 | <input type="radio"/> High (35 - 44cm) | SRT030008 <input type="radio"/> Low (25 - 36cm) |
| SRT030002 | <input type="radio"/> Standard neck support - height and depth adjustable | |
| SRT030006 | <input type="checkbox"/> Comfort neck support - height and depth adjustable | 129 |



Standard backrest



Performance backrest



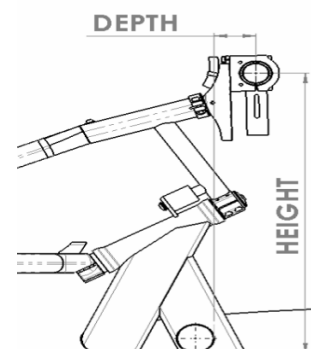
SRT030007 or SRT030008

FORK

| | | | | |
|-----------|--|--|--|--|
| SRT070001 | <input type="radio"/> Fork with adjustable crank housing | | | |
|-----------|--|--|--|--|

(Chosen measurements are adjustable by +/- 2cm without need for parts. see Owners Manual)

| | | | | | | |
|------------|------|-------------|-----------------------|-----------------------|-----------------------|-----------------------|
| | | height (cm) | | | | |
| | | 41 | 43 | 45 | 47 | 49 |
| depth (cm) | D65 | 6.5 | <input type="radio"/> | <input type="radio"/> | <input type="radio"/> | <input type="radio"/> |
| | D75 | 7.5 | <input type="radio"/> | <input type="radio"/> | <input type="radio"/> | <input type="radio"/> |
| | D85 | 8.5 | <input type="radio"/> | <input type="radio"/> | <input type="radio"/> | <input type="radio"/> |
| | D95 | 9.5 | | <input type="radio"/> | <input type="radio"/> | <input type="radio"/> |
| | D105 | 10.5 | | <input type="radio"/> | <input type="radio"/> | <input type="radio"/> |
| | D115 | 11.5 | | <input type="radio"/> | <input type="radio"/> | <input type="radio"/> |
| | D125 | 12.5 | | <input type="radio"/> | <input type="radio"/> | <input type="radio"/> |
| | | H41 | H43 | H45 | H47 | H49 |



QUICKIE SHARK RT

● = Standard ○ = No cost option □ = Cost option

£

CRANK

SRT080300 ● Standard crank (chain plate kit (22 / 32 / 44 teeth))

SRT080301 ● Standard handle

SRT080302 ○ Diameter 40mm SRT080303 ○ Diameter 30mm

SEAT UPHOLSTERY

SRT020001 ● Seat sling

SRT020002 ○ Seat cushion with cover, black

LEGREST & FOOTPLATES

● Footrest, length adjustable

SRT050002 ○ for longer legs (70 - 100cm) SRT050003 ○ for shorter legs (45 - 70cm)

SRT050004 □ Performance footrest

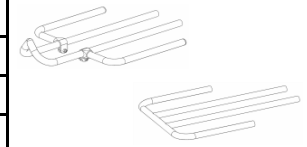
(For longer leg footrest only)

£173.65

SRT050900 □ Built-4-Me (personalised leg lengths)

(Complete B4M order form)

POA



GEAR

SRT070101 ○ Sram 3x9 speed

SRT070103 ○ on right handle SRT070104 ○ on left handle

FRONT WHEEL

SRT070205 ● 559 front wheel with Durano clincher 28/559 tyres

SRT070204 ○ Omit front wheel

REAR WHEEL

SRT070305 ● Rear wheels with Durano clincher 28/559 tyres

SRT070304 ○ Omit rear wheels

SRT070401 ○ Quick release axle

AXLE TUBE

SRT070801 ● Aluminium anodised

REAR COLLISION PROTECTOR

SRT070501 ● Rear collision protector 559/571

BRAKE

SRT060006 ● Standard brake lever Sram

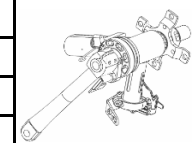
SRT060002 ○ handle mounted left SRT060003 ○ handle mounted right

SRT060004 □ Reverse brake

£1,212.10

SRT060005 ● Parking brake

(Brake lever can be locked)



SRT060004

ACCESSORIES

SRT090001 □ Front fender (with quick fitting)

£87.40

SRT090009 □ Front and rear lights

(Includes universal bracket)

£103.50

SRT050200 □ Knee pad

(pair)

87.4

SRT090004 ○ Waist belt

SRT090005 ● Protection flag

SRT090006 □ Mirror

£60.95

SRT090007 □ Bottle holder

£87.40

SRT090008 □ Universal bracket for light, mirror, speedometer and GPS

£95.45

COLOURS

22 ○ Brilliant Red

SRT010419

31 ○ Matt Black

SRT010428

32 ○ Signal White

SRT010429

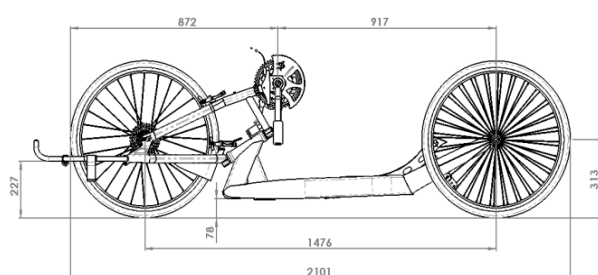
Please refer to our colour catalogue to choose your colour. Download it at www.SunriseMedical.com

Upholstery colour

SRT020401 ● Black

Comments for special build:

built4me



Shark RT - Base Price

£7,995

Option price

£

Total Price

£

Sunrise Medical Customer service

Address: Thorns Road, Brierley Hill, West Midlands DY5 2LD

Tel. 0845 605 66 88

Fax. 0845 605 66 89

E-mail: orders@sunmed.co.uk

E-commerce: www.sunscript.co.uk

Website: www.SunriseMedical.com