

# Magic 360



Rev 5.:10/2023

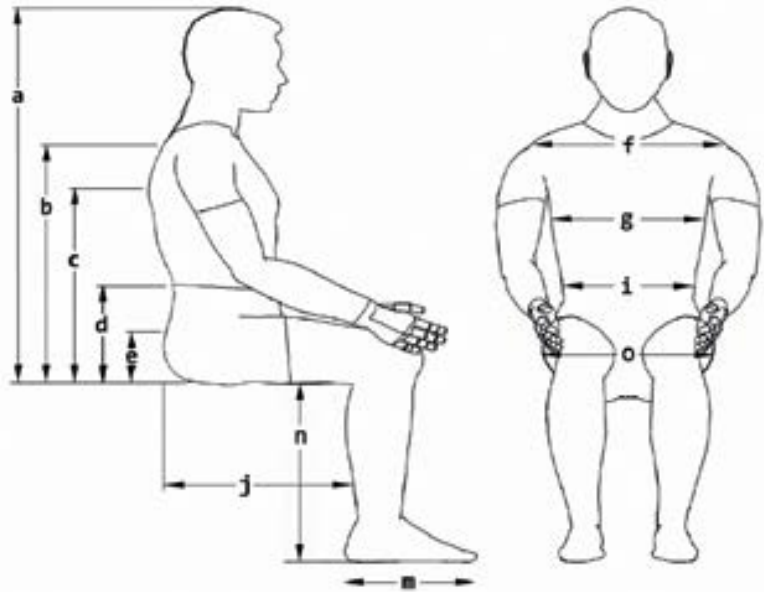
## ORDER FORM

Errors and imissions excepted..

Billing Address Or Customer-ID		Shipping Address		<input type="checkbox"/> Identical To Billing Address
C.-ID:	<input type="text"/>	C.-ID:	<input type="text"/>	
Name:	<input type="text"/>	Name:	<input type="text"/>	
Street:	<input type="text"/>	Street:	<input type="text"/>	
Town/PC:	<input type="text"/>	Town/PC:	<input type="text"/>	
E-Mail:	<input type="text"/>	E-Mail:	<input type="text"/>	
Phone:	<input type="text"/>	Phone:	<input type="text"/>	
Order Information		User Weight		
<input type="checkbox"/> Order <input type="checkbox"/> Calculation <input type="checkbox"/> Built-4-Me®		Art. No.:		
Purchase Order No.:		User weight: <input type="text"/> kg		
Reimbursement Code:		<b>Base Price    £12,500</b>		
Order date: Day <input type="text"/> Month <input type="text"/> Year <input type="text"/>				

**Client Measurements**

a) Top Of Head To Seat		mm
b) Top Of Shoulder To Seat		mm
c) Underarm To Seat		mm
d) Elbow To Seat		mm
e) Top Of Pelvis To Seat		mm
f) Shoulder Width		mm
g) Trunk Width		mm
i) Hip Width		mm
j) Actual Sitting Depth		mm
m) Foot Length		mm
n) Lower Leg Length		mm
o) Actual Seat Width		mm



**Technical Data**

<b>User Weight Capacity</b>	160 kg with seat lift and seat inclination	<b>Ground Clearance</b>	85 mm (depends on the configuration)
<b>Base Width</b>	610 - 660 mm	<b>Drive Wheels &amp; Castors</b>	355 mm (14") Drive Wheels and 200 mm (8") Castors (Solid Tyres)
<b>Chassis length</b>	983 mm (min.)	<b>Charger</b>	220 V/10 A
<b>Drive Control</b>	R-Net	<b>Battery Size</b>	80 Ah
<b>Drive Motors</b>	10 km/h, 2 x 800 W, 4-Pole Motors	<b>Turning radius</b>	615 - 665 mm
<b>Standard configuration</b>	Including MPS back system, MPS seat system, maintenance-free 80 Ah batteries and 10 A charger		
<b>Tyres</b>	Maximum tyre pressure depending on user weight from 0.25 to 0.55 bar (see table in instruction manual)		
<b>Tie down points</b>	Integrated and attached to the base		

**Drive Unit**

**Power Wheelchair**

		£
<input type="checkbox"/>	MAG010011 <b>MAGIC 360</b>	12,500

**Colour Selection**

		£
<input type="checkbox"/>	MAG5522 Sunset Red	0
<input type="checkbox"/>	MAG5521 Horizon Blue	0
<input type="checkbox"/>	MAG5520 Midnight Black	0
<input type="checkbox"/>	MAG5528 Rich Garnet	160
<input type="checkbox"/>	MAG5525 Desert Orange	160
<input type="checkbox"/>	MAG5523 Sunrise Yellow	160
<input type="checkbox"/>	MAG5524 Lucent Lime	160
<input type="checkbox"/>	MAG5527 Vivid Pink	160
<input type="checkbox"/>	MAG5529 Dusk Purple	160
<input type="checkbox"/>	MAG5526 Stormy Silver	160
<input type="checkbox"/>	MAG5531 Flames Fury (1)	160
<input type="checkbox"/>	MAG5530 Camo Forest (1)	160
<input type="checkbox"/>	MAG5532 Carbon Fibre	160

**Magic 360 Drive Wheel And Castor Kits**

		£
<input type="checkbox"/>	MAG5928 Crossover wheel and castor, Black	0
<input type="checkbox"/>	MAG5929 Crossover wheel and castor, Grey	0
<input type="checkbox"/>	MAG5925 Urban wheel and castor, Black pneu	105
<input type="checkbox"/>	MAG5924 Urban wheel and castor, Black solid	105
<input type="checkbox"/>	MAG5927 Urban wheel and castor, Grey pneu	105
<input type="checkbox"/>	MAG5926 Urban wheel and castor, Grey solid	105
<input type="checkbox"/>	MAG5930 Offroad wheel and castor	420
<input type="checkbox"/>	MAG5931 Offroad wheel and castor with Tyre Liner	600

**Puncture Resistance Options**

		£
<input type="checkbox"/>	MAGNFLAT-NEW Neverflat, puncture resistant (2)	160

**LED Lights**

		£
<input type="checkbox"/>	MAG5227 Omit lights	0
<input type="checkbox"/>	MAG5142 Lighting mounted on seat	0
<input type="checkbox"/>	MAG5729 Lighting mounted on base	0

**Vehicle Docking Pin**

		£
<input type="checkbox"/>	MAG6566 Dahl docking plate (max. 136 kg user weight) (3)	525

**SEAT**

**Seat Tilt Modules**

		£
<input type="checkbox"/>	MAG5984 Fixed Frame, 3° tilt preset (no power functions)	0
<input type="checkbox"/>	MAG5985 Fixed Frame, 3° tilt preset (only lighting)	0
<input type="checkbox"/>	MAG5986 Fixed Frame, 3° tilt preset (with Power Options)	0
<input type="checkbox"/>	MAG5127 Tilt (0 - 50°)	1699
<input type="checkbox"/>	MAG5126 Lift and Tilt (300 mm lift, 0 - 45°)	3399

(1) Please Take Into Account That Each Cover Is Handmade And Can Therefore Differ In Appearance And Colouring.

(2) Not Available For MAG5931, MAG5924, MAG5926  
 (3) DAHL Adaptation kit #501798 Available From DAHL Engineering

Seat Height		£
MAG6552	Seat Height: Leave as is	0
MAG6553	Seat Height: +25mm front, +25mm rear (1)	0
MAG6554	Seat Height: +50mm front, +50mm rear (1)	0
MAG5129	Seat Height: -25mm front, +25mm rear (1)	265

Seating Systems		£
MAGREHABSEATPAN	Rehab seat pan, choose MPS or rehab seat cushion later	0

### Rehab Seat Sizes

Seat width (2)					
MAGSW305MM	305 mm	MAGSW405MM	405 mm	MAGSW510MM	510 mm
MAGSW330MM	330 mm	MAGSW430MM	430 mm	MAGSW535MM	535 mm
MAGSW355MM	355 mm	MAGSW455MM	455 mm	MAGSW560MM	560 mm
MAGSW380MM	380 mm	MAGSW480MM	480 mm		
Seat depth (2)					
MAGSD405MM	405 mm	MAGSD480MM	480 mm	MAGSD560MM	560 mm
MAGSD430MM	430 mm	MAGSD510MM	510 mm		
MAGSD455MM	455 mm	MAGSD535MM	535 mm		

## SEAT

Seat Cushion For Rehab Seat		£
MAGWOSEATCUSH	No seat cushion	0
MAGPADDEDSC	Flat padded seat cushion	100
MAGCMRC	MPS Removable Seat Cushion (3,4)	270

UPH For Rehab Seat Cushion		£
MAGSUFABRIC	Fabric	0
MAGSUVINYL	Vinyl	0

## BACKREST

Recline Option		£
Recline Option for Rehab seat and Rehab canes		
MAG3920-S-3921-F	Fixed (90° - 105°), (90°, 97,5°, 105°)	0
MAG3924-S-3925-F	Manual Recline (90° - 170°)	395
MAG3928-S-3929-F	Power Recline (90° - 160°) (5)	1175
MAG3932-S-3933-F	Anti-shear power recline (95° -155°) (5)	1875
Recline option for Rehab seat and Rehab canes, Foldable to the front		
MAG3922-S-3923-F	Fixed (90° - 105°), (90°, 97,5°, 105°)	0
MAG3926-S-3927-F	Manual Recline (90° - 170°)	395
MAG3930-S-3931-F	Power Recline (90° - 160°) (5)	1175
MAG3934-S-3935-F	Anti-shear power recline (95° -155°) (5)	1875

Backrest for Rehab Seat Pan		£
MAGREHABCANES	Rehab canes, choose MPS or rehab insert back later	0
MAGREHABFOLD	Rehab canes with fold forward, choose MPS or rehab insert back later	375

Insert Back Clamps		£
MAG3492-PI	Quick Release	0

(1) Added Seat Height Versus 435 mm Standard Seat Height, Seat Height Kits Required For Lower Leg Lengths 390-430 mm  
 (2) Depth minus Width Must Not Exceed 50 mm

(3) Minimum Width And Depth 405 mm  
 (4) Seat cushion sizes only available according to Section A  
 (5) Backrest Height Minus Backrest Width Must Exceed 50 mm

**MPS Insert Back** £

MAGMPSINSERT	MPS insert back	375
--------------	-----------------	-----

**MPS Insert Back UPH** £

MAGFABRICBR	Fabric	0
MAGVINYLBR	Vinyl	0

**MPS Insert Back – Sizes** £

<b>Backrest width</b> (1)(2)		
MAGBW405MM	405 mm	0
MAGBW455MM	455 mm	0
MAGBW510MM	510 mm	0
<b>Backrest height</b> (1)		
MAGBH535MM	535 mm	0
MAGBH585MM	585 mm	0
MAGBH635MM	635 mm	0

**Rehab Insert Back** £

MAGBACKRESTINSERT	Magic Rehab insert back (1)	535
-------------------	-----------------------------	-----

**Magic Rehab Insert Backrest Cushion** £

MAGBRMRJ	Junior (350 mm height)	0
MAGBRMRJXS	Junior (Xtra tall, 410 mm height)	0
MAGBRMRMS	Medium (Short, 430 mm height)	0
MAGBRMRM	Medium (480 mm height)	0
MAGBRMRMXT	Medium (Xtra tall, 530 mm height)	0
MAGBRMRLS	Large (Short, 430 mm height)	0
MAGBRMRL	Large (480 mm height)	0
MAGBRMRLXT	Large (Xtra tall, 530 mm height)	0

**Rehab Back Insert UPH** £

MAGFABRICBR	Fabric	0
MAGVINYLBR	Vinyl	0

**Rehab Back Insert Bolster Size** £

<b>For Magic Rehab back cushion large/medium</b>		
MAGNOBOLSTER	No bolster	0
MAGBOLSTERS	Shallow (110 mm depth)	80
MAGBOLSTERSTD	Standard (160 mm depth)	80
MAGBOLSTERD	Deep (220 mm depth)	105

**Rehab Back Insert Lumbar** £

MAGLUMBARS	Shallow (12 mm insert)	0
MAGLUMBARSTD	Standard (25 mm insert)	0
MAGLUMBARD	Deep (35 mm insert)	0
MAGNOLUMBAR	No lumbar	0

(1) Backrest Height Minus Backrest Width Must Exceed 50 mm  
 (2) Back width has to match seat width selected

**Push Handles** £

MAG46354636	Rehab peg handles	135
-------------	-------------------	-----

**Backrest Bag Hooks** £

MAG5723	Rehab Bag hooks (J-shaped) on spreader bar	35
---------	--	----

**Headrest - All Types** £

**MPS Headrest**

MAG2770VI	MPS Headrest, MPS Mount, Fabric to match backrest (1)	270
-----------	---	-----

**Rehab Headrest**

MAGREHABSTD	Magic Rehab Standard	160
MAGREHABWIDE	Magic Rehab Wide	220

**Headrest Mount (for REHAB headrests only)**

MAG4113	2 AXIS (single stem, 2 pivot points)	165
MAG4114	3 AXIS (single stem, 3 pivot points)	190
MAG4115	MULTI AXIS (single stem)	215

**Rehab Headrest** £

MAGFABRICH	Fabric	0
MAGVINYLHR	Vinyl	0

**ARMREST- ALL TYPES**

**Armrest – Types** £

MAG3572	Pair - standard armrest, single stem	0
MAG3994	Pair - standard armrest, double stem	160
MAGFLEXIARM	Pair - flexi armrest	375
MAG6503-6502	Pair - flexi armrest with locked position	550
MAG3331-6500	Pair - flexi armrest with locking post (2)	600
MAG3727-6501	Pair - flexi armrest with locking post and drop down	700

**Armrest – Heights**

MAGAH220MM	220 mm	MAGAH260MM	260 mm	MAGAH300MM	300 mm	MAGAH340MM	340 mm	MAGAH380MM	380 mm
MAGAH230MM	230 mm	MAGAH270MM	270 mm	MAGAH310MM	310 mm	MAGAH350MM	350 mm	MAGAH390MM	390 mm
MAGAH240MM	240 mm	MAGAH280MM	280 mm	MAGAH320MM	320 mm	MAGAH360MM	360 mm		
MAGAH250MM	250 mm	MAGAH290MM	290 mm	MAGAH330MM	330 mm	MAGAH370MM	370 mm		

**Armpad – Style** £

MAGAP75-WOKOR-2	75 mm armpads	0
MAGAP50-2	50 mm armpads	55
MAG3971-3972	MPS armpads	80
MAG6711	Waterfall armpads	160
MAG3775	Gutter armpads	160
MAG6750	Gutter armpads with elbow support pad	160
MAG6751	Gutter armpads with hand pad	160
MAG6752	Gutter armpads with hand pad and elbow support pad	160
MAG3712	MPS flip-out armpads	320

(1) Mounting As For Car Seat Headrests, With Fabric Cover  
 (2) Locking Post Attached To Seat Rail

Armpad – UPH		£
MAGAPVINYL	Vinyl	0
MAGAPFABRIC	Fabric	0

Armrest Bag Hooks		£
MAGH00KA2RH	Right Side Armrest baghooks	35
MAGH00KA2LH	Left Side Armrest baghooks	35

### Positioning

Lap Belt						£
MAG4973-MPS-4974-R	Standard Posture belt	500 mm	600 mm	700 mm	800 mm	0
MAG4973-4974-PBPAD	Standard Posture belt with 2 posture belt pads	500 mm	600 mm	700 mm	800 mm	100
MAG6540	4 point seat belt (PB4P)	500 mm	600 mm	700 mm	800 mm	185
MAG6540-2XPBPAD-4	4 point seat belt with 2 posture belt pads	500 mm	600 mm	700 mm	800 mm	185
MAG4730	Retractable lap belt (for rehab seat)					100
	MAGLBLH			Left sided buckle (1)		0
	MAGLBRH			Right sided buckle (1)		0
MAG4731	Retractable lap belt (for MPS seat)					100
	MAGLBLH			Left sided buckle (1)		0
	MAGLBRH			Right sided buckle (1)		0

Thoracic Support (pad and mount)		£
MAG4943	Adjustable brackets (MPS insert back)	530

Hip Pads - In Vinyl		£
MAGHPKIT	Hip pads on adjustable brackets (pair)	270

Harness		£
MAGHARP	Harness pediatric	160
MAGHARQ	Harness standard	160

### Legrests

#### Footplate Height

MAGLL300MM (2)	300 mm	MAGLL340MM	340 mm	MAGLL380MM (3)	380 mm	MAGLL420MM (3)	420 mm
MAGLL310MM	310 mm	MAGLL350MM	350 mm	MAGLL390MM(3)	390 mm	MAGLL430MM (2 3)	430 mm
MAGLL320MM	320 mm	MAGLL360MM	360 mm	MAGLL400MM(3)	400 mm		
MAGLL330MM	330 mm	MAGLL370MM	370 mm	MAGLL410MM(3)	410 mm		

Legrest – Choice		£
MAGCPLEGREST	Centre Post legrest	0
MAG3528	Swingaway legrest	0
MAG3527-ME	Manual Elevating Swinagaway legrest	425
MAG3526-ME	Power Elevating Swingaway legrest (4)	850
MAGCPOWER	Centre Mount Power elevating legrest (4)	1500

(1) Only For Standard Posture Belt  
 (2) Only for CPL MAGCPLEGREST  
 (3) Seat Height Kit Required  
 (4) Not Available With Fixed Tilt MAG5984

Footplate		£
MAG4055FIX	Centre Post: 1 piece fixed footplate	0
MAG4055FIX-2	Centre Post: 2 piece fixed footplate	0
MAG4055	Centre Post: 1 piece flip up footplate	0
MAG4055SFP	Centre Post: 1 piece flip up, SHORT	0
MAG055SFP-2	Centre Post: 2 piece flip up, SHORT	0
MAG4755	Centre Post Powered Elevating: 1 piece flip up	0
MAG4755-2	Centre Post Powered Elevating: 2 piece flip up	0
MAG4055-2	Centre Post: 2 piece flip up footplate	160
MAGFLIPUP	Swing-Away: 2 piece flip up (1)	0

Footplate Options		£
MAG4312	Swingaway footplate lock (1)	55
MAG5323	Centre Post: Metal edges (2)	55
MAG4260	Abduction block (neoperene)	55

Calf Support		£
MAGCALFSUPPORT	Calf support standard	135

Knee Pads		£
MAG4247	Knee pads	125
MAGKPCMPE	Knee pads for CMPE	120
MAG4660	Knee pads for non-elevating swingaway legrests	120
MAG4104	Knee pads for elevating swingaway legrests	120

## Control / Electronics

Controller – R-Net		£
MAGPG-JSMLEDL	Basic LED JSM (no colour screen)	0
MAGPG-JSM-PI	Colour Screen JSM	160
MAGPG-JSM2IRL	Colour screen JSM2 + IR only	315
MAGPG-JSMIRBT	Colour screen JSM2 + Bluetooth + IR	520

Control+5 Module		£
MAG158709	CTRL+5 Switch Module (button)	320
MAG158708	CTRL+5 Switch Module (Toggle style)	320

Control+5 Location		£
MAG5430	On the armrest, same side as joystick	0
MAG5431	On the armrest, opposite side to joystick	0
MAG5433	On the armrest, opposite side to joystick + accessories socket	0
MAG5432	Attendant (rear mounted)	0

Joystick Knob Option		£
MAGKNOBSTD	Standard joystick knob	0
MAGPG-KS80	Stick S80	80
MAGPG-KCHIN	Chin C38	80
MAGPG-KB32	Ball B32	80
MAGPG-KB38	Ball B38	80
MAGPG-KM48	Mushroom M48	80
MAGPG-KTBAR	T-Bar T80	80
MAGPG-KSB70	Soft Ball SB70	80

(1) Only For Swingaway Legrest  
(2) Only for CPL MAGCPLEGREST



Joystick Position		£
MAGJSRIGHT	Joystick Right	0
MAGJSLEFT	Joystick Left	0
MAGPGCYPGC2.03725	Interchangeable to Left and Right	215
MAG3329JSM-RH	Mount JSM as an attendant control - Right (Rehab back)	315
MAG3329JSM-LH	Mount JSM as an attendant control - Left (Rehab back)	315

Swingback Options		£
MAG110050	Joystick Mounting, Fixed	0
MAG3083-KIT-OS	Swingback joystick to the OUTSIDE (with magnets)	0
MAG3083-KIT-IS	Swingback joystick to the inside (with magnets)	0
MAG3082-KIT-OS	Swingback joystick to the OUTSIDE (with locking latch)	125
MAG3082-KIT-IS	Swingback joystick to the inside (with locking latch)	125

Joystick Mounting Position		£
MAG4980	Height Adjustable Joystick Stem - for standard joystick stem	105
MAG3713	Height Adjustable Joystick Stem - for swingback joystick stem	105
MAG3729STD	Quick release stem (for standard joystick stem only)	105
MAG3729SB	Quick release stem (with swingback)	185

Speciality Controls		£
MAG5436	Omni2	1170
MAGPG-OMNISCANNER	Omni2 Enhanced 6-way scanner (single switch feature)	1170
	Omni2 location	
	MAGOMNILH: Omni2 location, Left	MAGOMNIRH: Omni2 location, Right
MAG3335-MPS4550-LH	JSM, Omni2 + Chin control (Left)	3975
MAG3335-MPS4550-RH	JSM, Omni2 + Chin control (Right)	3975
MAG3391	JSM, Omni2 + Head control	6580

Attendant Control		£
MAG3330AM-KIT	Attendant control module for MPS back	290
MAG3329AM-KIT	Attendant control module for Rehab back	290
	Attendant Control	
	MAGACLH: Attendant Control, Left	MAGACRH: Attendant Control, Right

Chargers		£
MAG160103	Charger (10A) EU Version	0
MAG160104	Charger (10A) UK Version	0

Accessories		£
MAG3145	Luggage Rack	320
MAG4471	RAM® Cup holder	55
MAG4627	Magic Mobility Steel cup holder (1)	55
MAG4478	Magic Mobility Steel cup and phone holder (combined)	105
MAG4705	Accessory charger (1x12V + 2xUSB) - side rail mounted, same side as joystick	160
MAG6629	Accessory charger (2xUSB) - side rail mounted, opposite to joystick	160
MAG4801	Accessory charger (2xUSB) - armrest mounted, same side as joystick	160
MAG6594	Accessory charger (2xUSB) - armrest mounted, opposite to joystick	160
MAG5360	Loud horn	55
MAG4834	A4 Accessory bag (mounted on the backrest)	105
MAG4834RH	A4 Armrest bag (mounted on the right armrest)	105
MAG4834LH	A4 Armrest bag (mounted on the left armrest)	105
MAG4834-2	A4 Armrest bags (mounted on the left and right armrest)	215
MAG5320RHI	A5 Armrest bag (mounted internally, right armrest)	80
MAG5320LHI	A5 Armrest bag (mounted internally, left armrest)	80
MAG5320RHE	A5 Armrest bag (mounted externally, right armrest)	80
MAG5320LHE	A5 Armrest bag (mounted externally, left armrest)	80
MAG48345320I	A4 & A5 Armrest bags (A4 joystick side, A5 internal facing)	160
MAG48345320	A4 & A5 Armrest bags (A4 joystick side, A5 external facing)	160
MAGCOVER	Wheelchair cover	0

Clear Tables		£
MAG2675	Slide in table (armpad to armpad)	335
	MAGTDS - Double Stem Table	335
MAG2677	Swingaway small table, 320 x 240mm	335
MAG2676	Swingover large table (armpad to armpad), left table mount	335

(1) Drink Holder (Always Mounted On The Opposite Side Of The Control Panel/Table)

Comments For Adaption



**Magic 360** £

<b>Base Price</b>	<input type="text"/>
Total Of Additional Equipment	<input type="text"/>
Packaging And Transport	<input type="text"/>
Exclusive VAT	<input type="text"/>
VAT	<input type="text"/>
<b>Total Price</b>	<input type="text"/>

**Date** **Signature**

Day      Month      Year



**Sunrise Medical GmbH**

Kahlbachring 2-4  
 69254 Malsch/HD  
 Tel: +49 (0) 7253-9800  
 Fax: +49 (0) 7253-980111  
 E-Mail: kundenservice@sunrisemedical.de  
 www.SunriseMedical.de

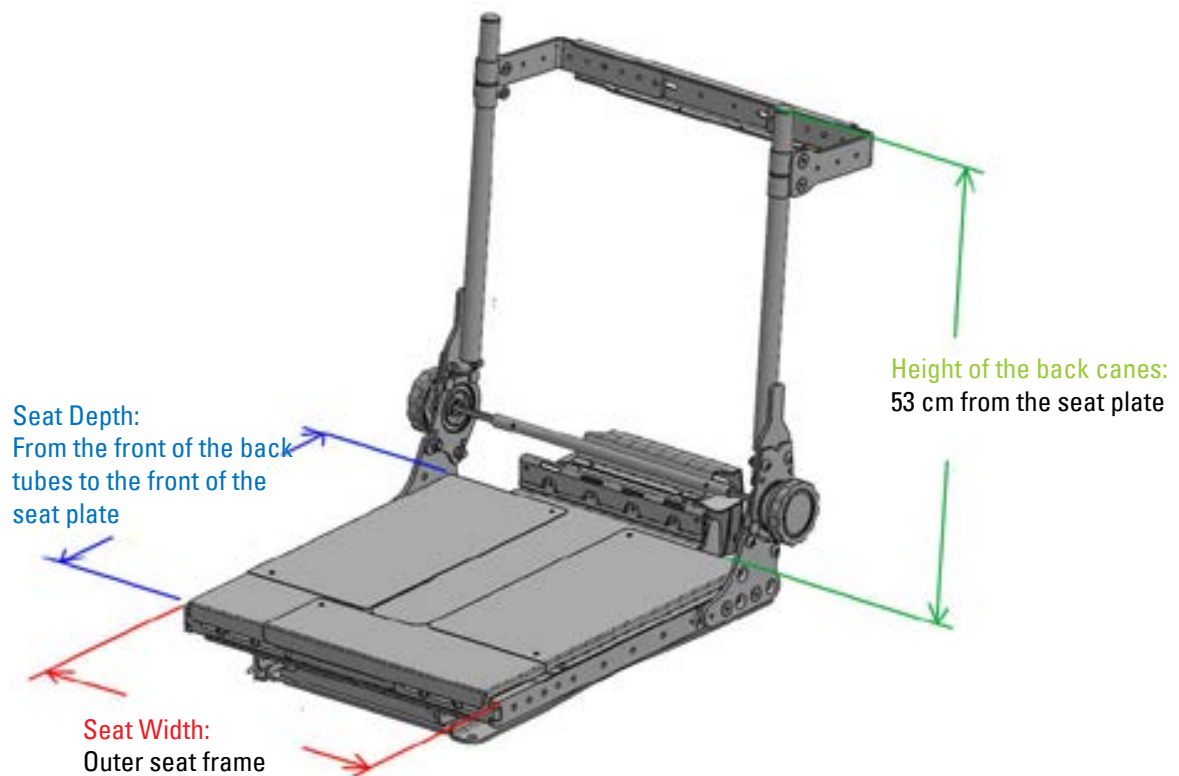
## Dimension Matrix MPS-SEAT

◀ BACK



## Dimension Matrix REHAB-SEAT

◀ BACK



MAGIC REHAB INSERT SIZE

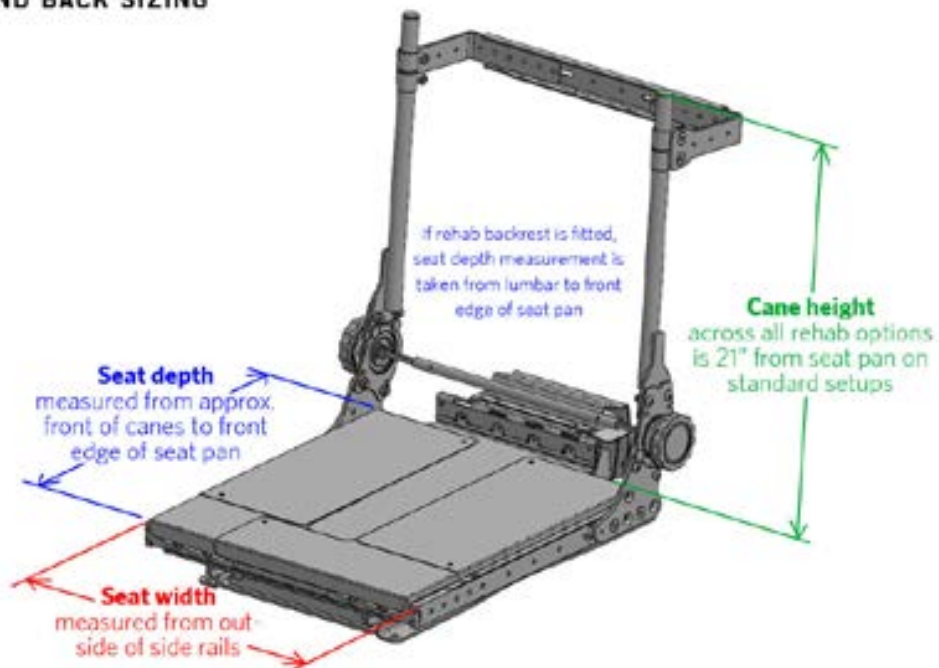


Chest Width 'C'	Height 'Y' (mm)
<b>330-470mm</b>	
Large (Xtra tall)	530
Large	480
Large (Short)	430
<b>280-420mm</b>	
Medium (Xtra tall)	530
Medium	480
Medium (Short)	430
<b>260-400mm</b>	
Junior (Xtra tall)	410
Junior	350

- Bolsters can be mounted upside down for increased armpit support
- Bolster heights can be offset up and down, up to 25mm between each side (asymmetric)

© Magic Mobility 2016

REHAB SEAT AND BACK SIZING



© Magic Mobility 2016

Price List - OPA01  
REV1 (01/01/2024)

Colors

◀ BACK



Drive Wheels

◀ BACK



BLACK PNEUMATIC

**OFF-ROAD**

- Soft ride with good shock absorption
- Best traction on all surfaces
- 650mm base width



BLACK PNEUMATIC



GREY PNEUMATIC

**CROSSOVER**

- Soft ride with decent shock absorption
- Good traction
- Grey tyre non-marking
- 635mm base width



BLACK PNEUMATIC



GREY PNEUMATIC



BLACK SOLID



GREY SOLID

**URBAN**

- Polyurethane solid inserts cannot be punctured
- Black tyre is low-marking compound
- Grey tyre non-marking
- 610mm base width



© Magic Mazzy 2017

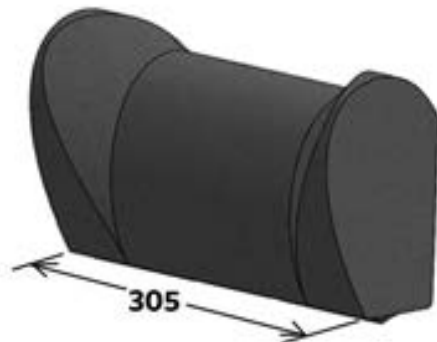
**MAGIC 360 PUNCTURE RESISTANCE****NEVERFLAT**

- Offers good puncture protection for pneumatic tyres

Liner fits in between tube and tyre, providing a robust protective barrier

**PUNCTURE RESISTANT KIT  
(WITH PNEUMATIC OFF-ROAD TYRES)**

- Offers comprehensive protection against glass, rocks, thorns, etc.
- Produced with aramid fibre and natural rubber
- Filled with Neverflat to give extra protection
- Can be retrofitted to all Magic Mobility chairs with knobby tyres

**MPS HEADREST**

Armrests

← BACK

ARMREST TYPE (1)



**STANDARD**

Note: 25mm of extra adjustment is added to bottom



**DOUBLE STEM**  
For bariatric users



**FLEXI**

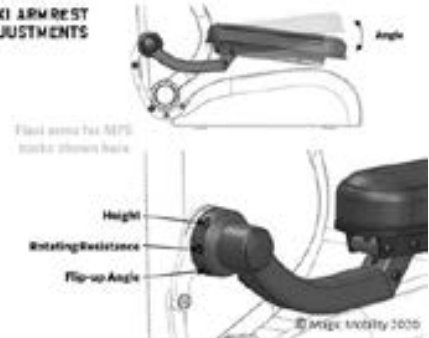
Flip-up, paralleling

Note: Depending on requested armrest height the Flexi arms will be assembled using slightly different parts. Therefore the range for each armrest will not be the full 220-440mm

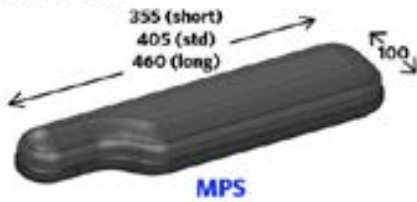
Requested Height	Actual Range (Flexi on MPS back)	Requested Height	Actual Range (Flexi on Rehab back)
220-330mm	220-370mm	220-330mm	160-360mm
340-370mm	250-400mm	340-440mm	275-440mm
380-440mm	330-440mm		



FLEXI ARMREST ADJUSTMENTS



ARMPADS

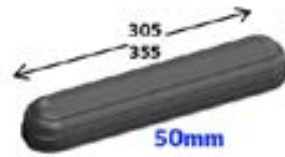


**MPS**

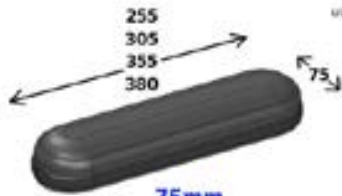


**MPS Flip-out**

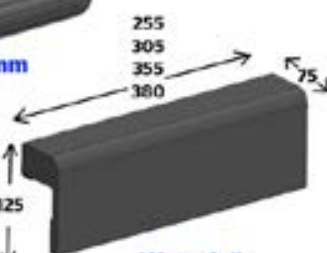
Allows the arm pads to be in tight to the user while still allowing flip up (Flexi arms only)



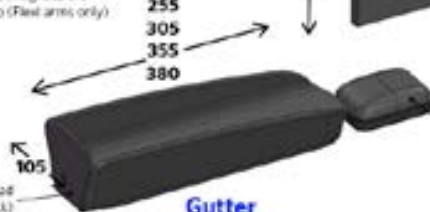
**50mm**



**75mm**



**Waterfall**



**Gutter**

Optional elbow support pad (not ideal when used with MPS back)

Optional hand pad (if this is fitted, armpad length will be reduced to suit)

If MPS 50mm, 75mm, gutter or waterfalls armpads are selected, the length of armpad fitted will generally be based on the seat depth. See below table for details. If specific armpad length is required please state this on order form

SEAT DEPTH ▶	12"	13"	14"	15"	16"	17"	18"	19"	20"	21"	22"	23"	24"
50mm Arm Pad													
75mm Arm Pad	255	255	305	305	305	305	305	305	380	380	380	380	380
Gutter Arm Pad	25mm not available												
Waterfall Arm Pad	25mm not available												
MPS Arm Pad	-	-	-	-	355	355	405	405	460	460	460	460	460

← Armpad length

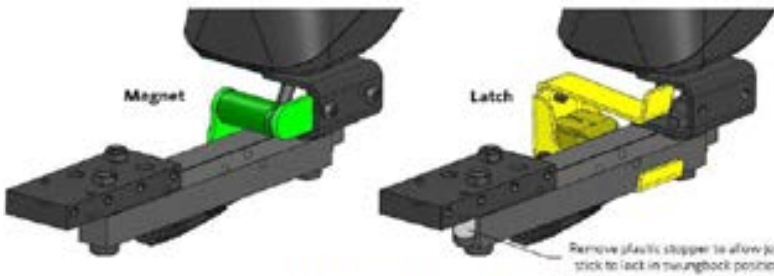
← Armpad length





Joystick Mounting

◀ BACK



Swingback Joystick Release Options	
Magnet	Latch
<ul style="list-style-type: none"> <li>Requires more force but no dexterity to release</li> <li>Can potentially release if wheelchair is being driven erratically or over rough terrain</li> <li>Releases more easily if impacted</li> </ul>	<ul style="list-style-type: none"> <li>Requires minimal force but some dexterity to release</li> <li>Will stay locked at all times unless latch is pushed</li> <li>Less likely to release if impacted, potentially causing more damage</li> <li>Can be locked in fully swing-back position (optional)</li> <li>Custom levers can be screwed to latch to make releasing it easier for clients with less hand movement</li> </ul>



JOYSTICK STEM OPTIONS



HEIGHT ADJUSTABLE JOYSTICK STEM



QUICK RELEASE MOUNT

Joystick Knobs

◀ BACK



FOOTPLATE SELECTION



1 PIECE FLIP UP



2 PIECE FLIP UP

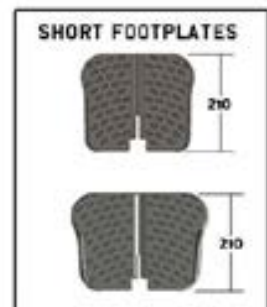


1 PIECE FIXED

Fastening bolts can be removed to allow footplate to flip up if required in the future

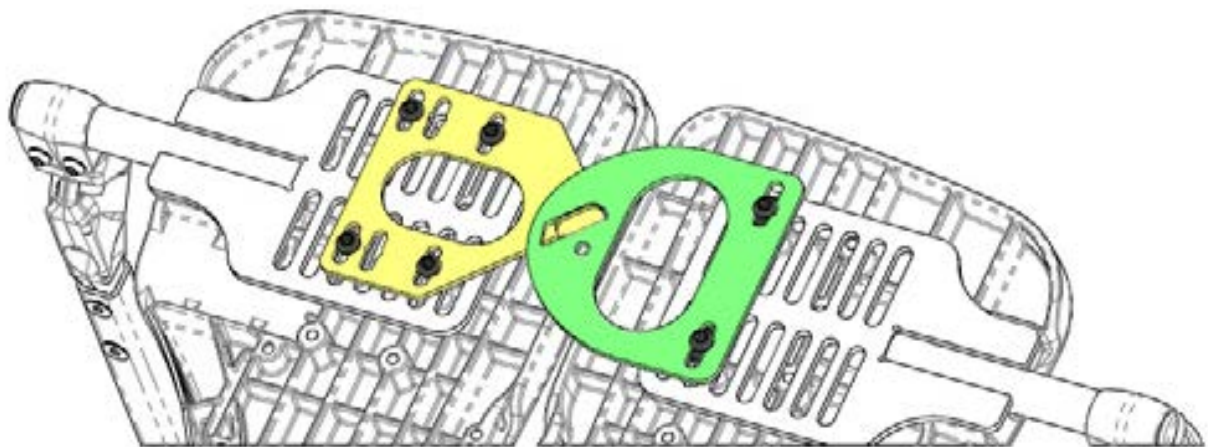


2 PIECE FIXED  
Can adjust each footplate to a different angle



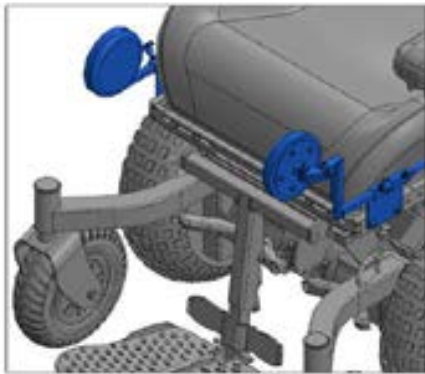
© Sage Mobility 2016

Legrest MK2 Footplate Lock

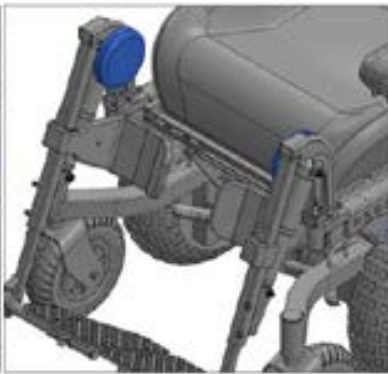


Knee Pads

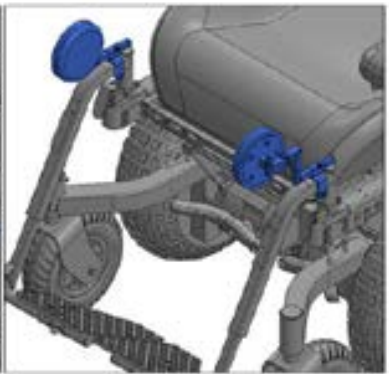
◀ BACK



Centre mount legrest  
(fixed and power elevating)  
3 axes of adjustment



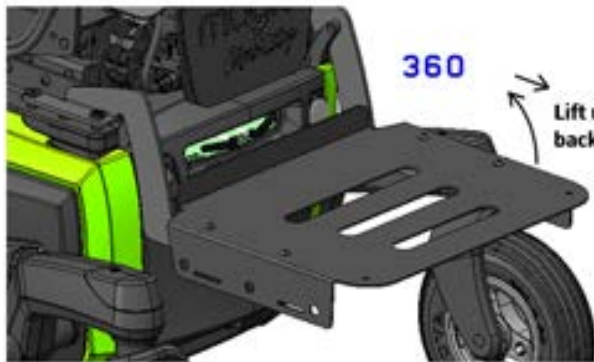
Power or gas swingaway legrest  
Fixed kneepad attached to legrest pivot



Standard swingaway legrest  
3 axes of adjustment

Rear Boot Plate

◀ BACK



360

Lift up rear and pull back to remove

Cup Holder

◀ BACK



Gradual configuration allows cup to stay flat when tilting and when driving on bumpy surfaces



Internal diameter at bottom is 84mm

If swingaway legrests are fitted the cup holder mount bracket may be offset higher to avoid top of legrest (depending on armrest height)



Note: Previous cup holder can be fitted if required. See option on order form.



© Magic Mobility 2019

Armrest Bag

◀ BACK



For armrest heights less than 320mm please select A5 bag (otherwise bag sits on wheel)



**Mounts under armrest**  
(unless otherwise requested)

If swingback joystick is selected it is generally more suitable to fit accessory bag to opposite side

© Magic Mot

Table Options

◀ BACK

**TABLE OPTIONS**

Clear polycarbonate table shown below. Black HD plastic is also available (typically without folded edges)

Unless a drawing has been supplied with specifications for cut out sizes for stomach and joystick, the slide in and swingover tables will be provided as a kit

Table stem slides into opposite side to joystick



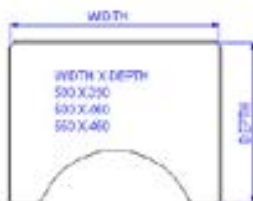
**SLIDE IN LARGE TABLE**

Table rests on armpad opposite to stem



**DOUBLE STEM LARGE TABLE**

For chairs with attendant control ONLY (no joystick)



**SWINGOVER LARGE TABLE**

Table rests on both armpads



**SWINGAWAY SMALL TABLE**

Width 320 x Depth 240

© Magic Mobility 2016