



zippie®

VOYAGE

Zippie® VOYAGE

with transit option  without transit option 

Supplier: This manual must be given to the user of this wheelchair.

User: Before using this wheelchair read this entire manual and save for future reference.



Owner's Manual

Zippie® VOYAGE

mit Transioption  ohne Transioption 

Fachhändler: Dieses Handbuch muss dem Benutzer des Rollstuhls ausgehändigt werden.

Benutzer: Vor dem Gebrauch des Rollstuhls lesen Sie bitte das gesamte Handbuch und bewahren Sie es für zukünftigen Bedarf auf.

Benutzerhandbuch

Zippie® VOYAGE

avec option transit  sans option transit 

Revendeur : Ce manuel doit être remis à l'utilisateur de la poussette

Utilisateur : Avant d'utiliser votre poussette, lisez attentivement ce manuel dans son intégralité et conservez-le pour pouvoir vous y référer ultérieurement.

Manuel d'utilisation

MK-100301





VOYAGE

Zippie® VOYAGE

- Con opzione di transito  Senza opzione di transito 




Rivenditore: Il presente manuale va consegnato all'utente della carrozzina.

Utente: Prima di usare la carrozzina, leggere il presente manuale per intero e conservarlo per riferimento futuro.

Manuale d'uso

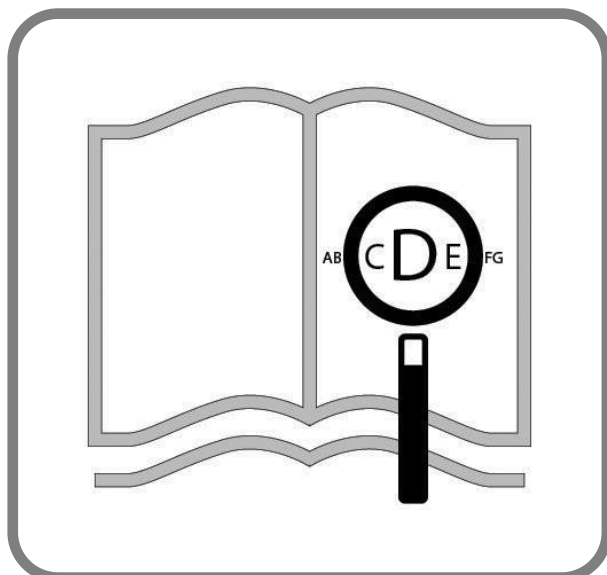
Zippie® VOYAGE

- met transport optie  zonder transport optie 

Leverancier: Deze handleiding moet worden overhandigd aan de (verzorgers van de) gebruiker van dit medische hulpmiddel.

Gebruiker: Lees voor u het medisch hulpmiddel gaat gebruiken deze handleiding volledig door en bewaar hem zodat u de informatie later nog eens kunt doornemen.

Handleiding



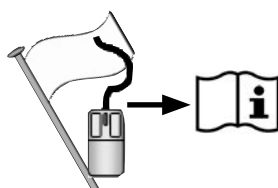
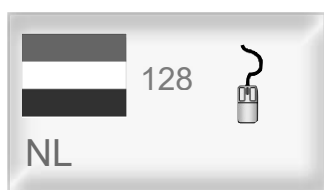
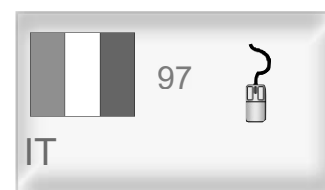
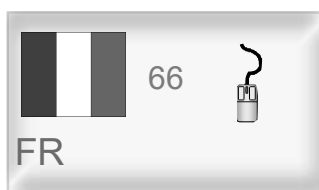
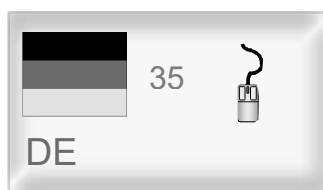
If you are visually impaired, this document can be viewed in pdf format at www.Sunrisemedical.co.uk

Für sehbehinderte Personen steht dieses Dokument im pdf-Format auf www.SunriseMedical.de zur Verfügung.

Si vous souffrez de déficience visuelle, ce document peut être consulté en format pdf sur www.sunrisemedical.fr

Als u visueel gehandicapt bent kan dit document ook worden gelezen in pdf-formaat op: www.SunriseMedical.nl

Questo documento è presente in formato pdf per gli ipovedenti sul sito www.SunriseMedical.it.



SUNRISE LISTENS

Thank you for choosing a Zippie product. We want to hear your questions or comments about this manual, the safety and reliability of your device, and the service you receive from your supplier. Please feel free to write or call us at the address and telephone number below:

SUNRISE MEDICAL LTD.
THORNS ROAD
BRIERLEY HILL
WEST MIDLANDS
DY5 2LD
ENGLAND
PHONE:0845 605 66 88
FAX:0845 605 66 89
WWW.SUNRISEMEDICAL.CO.UK

Let us know your address. This will allow us to keep you up to date with information about safety, new products and options to increase your use and enjoyment of this Dependent Mobility Device.

FOR ANSWERS TO YOUR QUESTIONS

Your authorized supplier knows your Zippie product best, and can answer most of your questions about device safety, use and maintenance.

For future reference, please fill in the following:

Supplier: _____

Address: _____

Telephone: _____

Serial #: _____ Date/Purchased: _____

ADDITIONAL INFORMATION YOU SHOULD KNOW

No component of this chair was made with Natural Rubber Latex.

II. TABLE OF CONTENTS

I. INTRODUCTION	4	VIII. SET-UP & USE	16
II. TABLE OF CONTENTS	5	A. UNFOLDING AND FOLDING BASE FRAME	16
III. YOUR DEVICE AND ITS PARTS	6	B. CASTER WHEELS	17
YOUR DEVICE AND ITS PARTS	6	C. REAR WHEELS	17
ZIPPIE VOYAGE WITH COMFORT SEATING	6	D. PARKING BRAKE OPERATION	17
IV. NOTICE- READ BEFORE USE	7	E. SEATING SHELL INSTALLATION	18
A. CHOOSE THE RIGHT DEVICE & SAFETY OPTIONS	7	F. SEATING SHELL REMOVAL	18
B. REVIEW THIS MANUAL OFTEN	7	G. TILT IN SPACE ANGLE ADJUSTMENT	19
C. WARNINGS	8	H. RECLINE ADJUSTMENT	20
V. GENERAL WARNINGS	9	I. KNEE ANGLE ADJUSTMENT	20
A. WEIGHT LIMIT	9	J. STEP TUBE	20
B. GETTING TO KNOW YOUR DEVICE	9	K. CANOPY INSTALLATION AND ADJUSTMENT	21
C. TO REDUCE THE RISK OF AN ACCIDENT	9	L. TELESCOPING STROLLER HANDLE EXTENSION	21
D. SAFETY CHECKLIST	9	IX. DEALER SERVICE & ADJUSTMENT	22
E. CHANGES AND ADJUSTMENTS	9	A. POSITIONING AND GROWTH ADJUSTMENTS	22
F. ENVIRONMENTAL CONDITIONS	10	B. COMFORT SEAT ADJUSTMENT	22
G. STREET USE	10	C. SHOULDER STRAP HEIGHT ADJUSTMENT:	23
H. MOTOR VEHICLE SAFETY	10	D. FOOTREST ADJUSTMENTS:	24
I. FOR CAREGIVERS	10	E. FLOOR TO SEAT HEIGHT ADJUSTMENT	24
VI. WARNINGS: FALLS & TIP-OVERS	11	F. PELVIC POSITIONING BELT ADJUSTMENTS:	25
A. CENTER OF BALANCE	11	G. ANTERIOR TRUNK BUTTERFLY SUPPORT	27
B. DRESSING OR CHANGING CLOTHES	11	H. LATERAL TRUNK AND HEAD SUPPORTS (OPTIONAL)	27
C. OBSTACLES	11	I. ANTERIOR SUPPORTS	28
D. REACHING OR LEANING	11	J. HIP GUIDES (OPTIONAL):	28
E. RAMPS, SLOPES AND SIDEHILLS	11	K. TRAY INSTALLATION AND ADJUSTMENT:	29
F. TRANSFERS	11	L. FOOT STRAP ADJUSTMENT (OPTIONAL):	29
G. NEGOTIATING A CURB OR SINGLE STEP	12	M. SHOE HOLDER STRAP ADJUSTMENT (OPTIONAL):	29
H. CLIMBING STAIRS	12	N. VENT/BATTERY TRAYS (OPTIONAL):	30
I. DESCENDING STAIRS	12	O. FRONT OR REAR ADD-ON PLATFORM (OPTIONAL):	30
J. ESCALATORS	12	P. IV SUPPORT POLE / O ₂ TANK HOLDER (OPTIONAL):	30
VII. WARNINGS- COMPONENTS & OPTIONS	13	Q. CUP HOLDER, UTILITY HOOK (OPTIONAL):	30
A. BASE FRAME	13	X. MAINTENANCE	31
B. UPPER EXTREMITY SUPPORT TRAY	13	A. NOTES	31
C. FASTENERS	13	B. CLEANING	31
D. FOOTREST	13	C. STORAGE TIPS	32
E. TYRES AND WHEELS	13	D. RE-USE / DISPOSAL / RECYCLING OF MATERIALS	32
F. PARKING BRAKE	14	E. ORDERING PARTS	33
G. UNDERCARRIAGE STORAGE	14	XI. WARRANTY	34
H. ACCESSORY TRAYS	14	XI. WARRANTY	34
I. CANOPY	14		
J. SEATING SYSTEMS	14		
K. PELVIC POSITIONING BELTS	14		
L. CUSHIONS	14		
M. TILT AND RECLINE	14		
N. TRANSIT OPTION AND USE Fig.1.0 - Fig.3.0	14		

YOUR DEVICE AND ITS PARTS



1. Folding Base Frame
2. Tray Attachment
3. Rear Transit Hardware (optional)
4. Folding trickers
5. Rear Tyre
6. Quick-release Wheel
7. Undercarriage storage basket
8. Front transit hardware (optional)
9. Anti-swivel caster lock
10. 7" Front castor wheel
11. Adjustable Footplate
12. Footrest adjustment lever
13. Adjustable hip support
14. Grab handle
15. Adjustable Laterals
16. Adjustable Head Support
17. Comfort seating shell
18. Canopy attachment
19. Push handle angle adjustment
20. Canopy

ZIPPIE VOYAGE WITH COMFORT SEATING

Adjustment Ranges:

Tilt	+5° to - 30°	
Recline	90° to 180°	
Push Handle Height	39-¼" to 47-¾"	(820 mm to 1210 mm)
Seat Depth	8" - 13"	(200 mm to 330 mm)
Seat Width (at hip)	9.5" - 12"	(240 mm to 300 mm)
Backrest Height	16.1" - 24"	(410 mm to 610 mm)

Lower Leg / Footrest Adjustment Range

Lower leg/foot	6.1" - 12.2"	(155 mm-310 mm)
Footrest angle Adjustment	50°	

NOTE:

- All features may not be available with some device setups or in conjunction with other device features. Please consult your supplier for more information. Your authorized supplier can also provide you with information on accessories.
- Individual components should not exceed the weight capacities listed opposite.
- The overall combined Maximum load should not exceed 77 kg, (170 lbs).
- The Zippie Voyage is considered to be ISO 7176-8 compliant.

Dimensions and Weights

Overall Width	24-½"	(615 mm)
Floor-to-seat height	25"-23.5"-22.5"	(640 mm-600 mm-575 mm)
Overall Length	42.5"	(1080 mm)
Overall Height	32" - 48"	(810-1220 mm)
Folded length	35-½"	(800 mm)
Folded Height	12.25"	(310 mm)
Folded Width	23.6"	(625 mm)
Turning Circle	43.3"	(1100 mm)
Max. Slope for Parking Brake	9°	9°
Max. User Weight	75 lbs	(34 kg)
Overall Weight	42.5 lbs	(22.5 kg)
Weight of Base	28 lbs	(12.7 kg)
Weight of Seat	21.5 lbs	(9.8 kg)

Maximum Load Capacities

Under Frame Tray	50 lbs	(22.5 kg)
Front Mount Platform	50 lbs	(22.5 kg)
Rear Riding Platform	45 lbs	(20 kg)
Oxygen Tank Holder	10 lbs	(4.5 kg)
Cup Holder:	1 lb	(0.5 kg)
Undercarriage Storage	15 lbs	(7 kg)
Vertical (Rear Mount) Vent	15 lbs	(7 kg)

A. CHOOSE THE RIGHT DEVICE & SAFETY OPTIONS

Sunrise provides a choice of many wheelchair styles to meet the needs of your child. However, final selection of the type of device, options, and adjustments rests solely with you and your health care advisor. Choosing the best early intervention device and set-up for safety depends on such things as:

1. The child's disability, strength, balance, coordination, and the limits of their abilities.
2. The types of hazards that must be overcome in daily use (where you live and work), and other places you are likely to use the device.
3. The dependents need of options for their safety and comfort.

INTENDED USE: The Zippie Voyage is intended for medical purposes to provide mobility by a carer (not self-propelling) to persons under 75lbs, (34kg), restricted to a sitting position. This product is not suitable for jogging, skating or similar activities.

LIFETIME: The intended lifetime of this product is 5 Years

The management system of SUNRISE MEDICAL is certified to EN ISO 13485 and ISO 14001.

We at SUNRISE MEDICAL have been awarded the ISO-13485 certificate, which affirms the quality of our products at every stage, from R & D to production. This product meets the requirements in accordance with EU and UK regulations. Options or accessories shown are available at extra cost.

NOTE: General user advice. Not following these instructions may result in physical injury, damage to the product or damage to the environment!

Notice to the user and/or patient: any serious incident that has occurred in relation to the device should be reported to the manufacturer and the competent authority of the Member State in which the user and/or patient is established.



As the manufacturer, SUNRISE MEDICAL, declares that this product conforms to the Medical Device Regulation (2017/745).



As the manufacturer, SUNRISE MEDICAL, declares that the product conforms to the UK Medical Devices Regulation 2002 No. 618.

B4Me special adaptations

Sunrise Medical strongly recommends that in order to ensure that your B4Me product operates, and performs as intended by the manufacturer; all the user information supplied with your B4Me product is read and understood, before the product is first used. Sunrise Medical also recommends that the user information is not discarded after reading it, but it is kept safely stored for future reference.

Medical Device Combinations

It may be possible to combine this Medical device with one or more other Medical Device or other product. Information on which combinations are possible can be found at www.Sunrisemedical.co.uk. All combinations listed have been validated to meet the General Safety and Performance Requirements, section 14.1 of the Medical Device Regulation 2017/745.

Guidance on the combination, such as mounting, can be found at www.SunriseMedical.co.uk.

The varieties of fitting variants, mean that it can be used by those who cannot walk or have limited mobility because of:

- Paralysis
- Loss of extremity (leg amputation)
- Extremity defect deformity
- Joint contractures/joint injuries

The stroller must not be used without the parent/caregiver.

NOTE:

Please note that driving a wheelchair requires sufficient cognitive, physical and visual skills. The user must be able to assess the effects of actions during the operation of the wheelchair and, if necessary, to correct them. These capabilities and the safe use of the additionally attached components cannot be assessed by Sunrise Medical as a manufacturer. We cannot accept any liability for any damage resulting from this.

Please refer to the operating instructions of the wheelchair and the additionally mounted components. Instruct the user in the safe use of the wheelchair and the additionally mounted components. Inform users of specific warnings that need to be read, understood, and respected.

B. REVIEW THIS MANUAL OFTEN

Before using this device you, and each person who may assist you, should read this entire manual and make sure to follow all instructions. Review the warnings often, until they are second nature to you.

C. WARNINGS

The word “WARNING” refers to a hazard or unsafe practice that may cause severe injury or death to you or to other persons. The “Warnings” are in three main sections, as follows:

1. V — GENERAL WARNINGS

Here you will find a safety checklist and a summary of risks you need to be aware of before you ride this device.

2. VI — WARNINGS — FALLS & TIP-OVERS

Here you will learn how to avoid a fall or tip-over while performing daily activities with the device.





3. VII — WARNINGS — FOR SAFE USE

Here you will learn about practices for the safe use of the device.

4. VIII — WARNINGS — COMPONENTS & OPTIONS

Here you will learn about the components of the device and options you can select for safety. Consult your authorized supplier and your health care advisor to help you choose the best set-up and options for safe use.

NOTE: Where they apply, you will also find other safety notes in various sections of this manual. A list of these notes and their meanings is shown in the table below. Heed all of these safety notes. If you fail to do so, a fall, tip-over or loss of control may occur and cause severe injury to the rider and/or others.

Word	Definition
 DANGER!	Advice to the user of Potential Risk of serious injury or death if the advice is not followed
 WARNING!	Advice to the user of a potential risk of injury if the advice is not followed
 CAUTION!	Advice to user that potential damage to equipment may occur if the advice is not followed
<p>NOTE:</p>	General advice or best practice
	Reference To Additional Documentation

A. WEIGHT LIMIT**⚠ WARNING**

1. NEVER exceed the weight limit of 34 kg, (75 lbs), for the weight of the occupant. If the limit is exceeded, damage to your device, a fall, tip-over or loss of control may occur and cause severe injury to the rider and/or others.
2. Never hang items greater than 5lbs (2.3kg) from stroller handle or seat back handle. A fall, tip-over, or loss of control may occur.

B. GETTING TO KNOW YOUR DEVICE**⚠ WARNING**

Read all instructions before using this product. In particular, you should be trained in the safe use of this product by your health care professional.

C. TO REDUCE THE RISK OF AN ACCIDENT**⚠ WARNING**

1. BEFORE using this device, you should be trained in its safe use by your health care professional.
2. Practice transfers until you know your limits and the extent of your child's abilities. Always ask if you need to have someone help you to avoid a fall or tip-over.
3. Be aware that you must develop your own methods for safe use best suited to your level of function and ability.
4. NEVER try a new maneuver on your own until you are sure you can do it safely.
5. Get to know the areas where you plan to use your device, look for hazards and learn how to avoid them.

D. SAFETY CHECKLIST**⚠ WARNING**

Before each use of the Early Intervention Device.

1. Parking brake must be adjusted to maintain proper performance. Always engage the parking brake before transferring a dependent child.
2. Check that the device rolls easily, and that all parts work smoothly. Check for noise, vibration, or a change in ease of use, (they may indicate loose fasteners, or other damage).
3. Repair any problem you may encounter. Your authorized supplier can help you find and correct any problems.
4. Make sure the tire/axle on both sides are fully engaged and locked. If they are not locked, the wheel may come off and cause a fall.
5. Never seat your child in the mobility device until it is fully unfolded and locked.
6. After adjusting handle length check to make sure that it is locked at the new length.
7. Always use a pelvic positioning belt when child is seated.
8. Never leave your child unattended.
9. CHOKING HAZARD – This mobility aid uses small parts which under certain circumstances may present a choking hazard to young children.

E. CHANGES AND ADJUSTMENTS**⚠ WARNING**

1. See your health care professional and have them adjust seating components and accessories as your child grows.
2. Unauthorized modifications or use of parts not supplied or approved by Sunrise Medical may change the product's structure. This will void any warranty and may cause a safety hazard.

F. ENVIRONMENTAL CONDITIONS**⚠ WARNING**

1. Your mobility device is designed for use on firm, even surfaces such as concrete, asphalt, indoor floors and carpeting.
2. Use extra care if you must use this mobility device on a wet or slick surface. If you are in doubt, ask for help.
3. Do not operate your mobility device in sand, loose soil or over rough terrain.
4. If the stroller is subject to direct sunlight for a long period of time, then parts of the wheelchair (e.g. frame, legrests, wheel locks) may become hot (>41°C).
5. Be careful with fire, in particular with burning cigarettes. Keep away from sources of ignition. Seat and back slings can be set alight.

G. STREET USE**⚠ WARNING**

1. When using this device, avoid street use whenever possible.
2. This product should stay in, and obey all legal pedestrian pathways, and laws that apply to pedestrians.
3. Be alert to the danger of motor vehicles in parking lots.
4. At night, or when lighting is poor, use reflective tape or clothing for maximum visibility.
5. IF you have to cross a road, make eye contact with drivers before you go forward. When in doubt, yield until you are sure it is safe.
6. Based on ANSI/RESNA testing, Sunrise Medical recommends the use of a caster wheel with a minimum diameter of 5" (127mm), if the wheelchair will be overcoming obstacles up to 1/2" (12.7mm) on a regular basis.
7. Your chair is designed for use on firm, even surfaces such as concrete, asphalt, indoor flooring, and carpets.
8. Do not operate your chair in sand, loose soil, or over rocky terrain.
9. If you use your chair on terrain that is rougher than described above there is a danger that screws and bolts will loosen prematurely, and that damage to wheels or axles could put the rider at risk of a fall, tip-over, or loss of control.

If you fail to heed these warnings damage to your chair, a fall, tip-over or loss of control may occur and cause severe injury to the rider or others.

H. MOTOR VEHICLE SAFETY**⚠ WARNING**

As indicated on the front cover of this user manual, identify whether your device has been manufactured with the transit option installed. If your device is NOT equipped with the transit option:

1. NEVER use the mobility device seating system as a car seat.
2. ALWAYS move the rider to an approved vehicle seat.
3. ALWAYS secure the rider with proper motor vehicle restraints.
4. In an accident or sudden stop the rider may be thrown from the mobility device. Mobility device pelvic positioning belts will not prevent this and further injury may result from these belts or straps.
5. NEVER transport this mobility device in the front seat of a vehicle. This action could risk serious injury or death to the dependent rider and driver.
6. ALWAYS secure the unoccupied mobility device so that it cannot roll or shift when being transported in a vehicle.
7. Do not use this product if it has been involved in a motor vehicle accident. If your device is equipped with the transit option, refer to Section VII. "Transit Option and Use".

I. FOR CAREGIVERS**⚠ WARNING**

1. Work with the child's health care professional to learn safety methods best suited to your abilities and those of your child.
2. To prevent injury to your back, use good posture and proper body mechanics when lifting, or tilting your child.
3. Remind the dependent to lean back when you tilt the mobility device backward.
4. When you descend a curb or single step, slowly lower the mobility device in one easy movement.
5. NEVER leave the dependent child alone.
6. When making adjustments to the mobility device, always engage the parking brake and lock caster wheels to help minimize unintended movement.
7. Make sure that the attendant only holds the wheelchair using securely mounted parts (e.g. not on the footrests).
8. Never lift the chair with child sitting in the chair.

A. CENTER OF BALANCE**⚠ WARNING**

Dependent mobility devices are designed for stability and performance. The point where this device will tip forward, back, or to the side depends on its center of balance and stability. The center of balance is also affected by:

- The seat height and seat angle.
- Backrest angle.
- Changes in your child's body position, postures or weight distribution.
- Pushing the mobility device on a ramp or slope.
- The use of a backpack or other options, and the amount of added weight.
- The use of a vents, batteries, oxygen and other options, and the amount of added weight that these options add to the device.

To maintain the proper center of gravity and good balance:

- Consult your healthcare advisor and/or supplier to help you in setting up the mobility device correctly.
- Consult your authorized supplier or healthcare advisor **BEFORE** you modify or adjust the mobility device.

B. DRESSING OR CHANGING CLOTHES**⚠ WARNING**

Your child's weight may shift if you dress your child or change your child's clothes while they are seated in the mobility device.

To reduce the risk of a fall or tip over while changing clothes or diapers:

- Rotate the front casters until they point forward.
- Engage the parking brake.

C. OBSTACLES**⚠ WARNING**

Obstacles and road hazards (such as potholes and broken pavement), can damage your mobility device and may cause a fall, tip over, or loss of control.

To avoid these risks:

- Scan the area well ahead for danger as you travel with your mobility device.
- Make sure floor areas ahead are level and free of obstacles.
- Install a ramp at entry or exit doors. Make sure there is not a drop off at the bottom of the ramp.

D. REACHING OR LEANING**⚠ WARNING**

If your child reaches or leans it will affect the center of balance of the mobility device. This may cause a fall or tip over.

- **NEVER** allow your child to reach or lean if they must rise up off their seat for the action.
- If your child must reach, move the mobility device as close as you can to the object, and rotate the front casters until they are as far forward as possible.

NOTE: To do this: Move your mobility device past the object that the child might want to reach, then back up alongside it.

E. RAMPS, SLOPES AND SIDEHILLS**⚠ WARNING**

Pushing the mobility device on a slope, including ramps or hills, will change the center of balance. Some safety reminders include:

1. Do not push this product on a slope steeper than 10%. (A 10% slope means: one meter in elevation for every ten meters of slope length).
2. Do not turn or change direction on a slope or ramp.
3. For your child's safety, ramps at home and work must meet all legal requirements for your location.
4. Always stay in the **CENTER** of the ramp.
5. Use a ramp with guardrails (or raised borders at least 76 mm, (3"), high).
6. Always go straight up and straight down on hills or ramps.
7. Do not stop on a steep slope.
8. Watch for a drop-off at the bottom of a slope or ramp.
9. Do not engage the parking brake to slow or stop your mobility device.
10. Beware of wet or slippery surfaces, especially on slopes.
11. Do not recline or tilt the shell while going up hills.
12. Ask for help any time you are in doubt of stability.

F. TRANSFERS**⚠ WARNING**

1. Work with your health care advisor to learn safe transfer and lifting methods.
2. Have someone help you until you know how to do a safe transfer of the dependent on your own.
3. Move your child's mobility device as close as you can to the location you are transferring to.
4. Rotate the front casters until they point forward.
5. Engage the parking brake before you transfer. This keeps the device stable during the transfer.
6. When transferring a child into the device, make sure they are placed as far back onto the seat surface as possible. This will reduce the risk that the mobility device will tip over and/or move away from you.

G. NEGOTIATING A CURB OR SINGLE STEP**⚠ WARNING**

Follow the instructions below for descending or climbing a stair or curb. Do not try to climb a high curb or step more than 100 mm, (4"), high, if the accessory tray, or rear glider platform is installed. Doing so can risk injury to the caregiver, may cause the device to exceed its balance point and tip over, and may cause damage to your mobility device.

To descend a curb or single step going BACKWARD:

1. Stay at the rear of the mobility device.
2. Several feet before you reach the edge of the curb or step, turn the device around and pull it backward.
3. While looking over your shoulder, carefully step back until you are off the curb or stair and standing on the lower level.
4. Pull your mobility device toward you until the rear wheels reach the edge of the curb or step. Then allow the rear wheels to slowly roll down onto the lower level.
5. When the rear wheels are safely on the lower level, tilt the mobility device back to its balance point. This will lift the front casters off the curb or step.
6. Keep the mobility device in balance and take small steps backward. Turn the mobility device around and gently lower front casters to the ground.

To climb a step or curb going FORWARD:

1. Stay behind the mobility device.
2. Face the curb and tilt the mobility device up on the rear wheels so that the front casters clear the curb or step.
3. Move forward, placing the front casters on the upper level as soon as you are sure they are past the edge.
4. Continue forward until the rear wheels contact the face of the curb or step. Lift and roll the rear wheels to the upper level.

H. CLIMBING STAIRS**⚠ WARNING**

1. Do not climb stairs if your mobility device has an accessory tray installed.
2. Use at least two attendants when moving the occupied mobility device up stairs.
3. The rider and mobility device should be facing BACKWARD when moving up the stairs.
4. ALWAYS carry the mobility device by holding the FRAME, being careful to avoid grabbing the footrest, wheels, tray parts, and other areas that are meant to detach from the mobility device.
5. The person at the rear should be in control. He or she should tilt the mobility device back to its balance point.
6. A second attendant at the front firmly grasps a non-detachable part of the front frame and lifts the mobility device up and over the stair.
7. The attendants should move up one stair at a time until the landing is reached.

I. DESCENDING STAIRS**⚠ WARNING**

1. Do not descend stairs if your mobility device has an accessory tray installed.
2. Use at least two attendants to move an occupied mobility device down stairs.
3. Move the mobility device with both the device and rider facing FORWARD down the stairs.
4. ALWAYS carry the mobility device by holding the FRAME, being careful to avoid grabbing the footrest, wheels, tray parts, and other areas that are meant to detach from the mobility device.
5. The person at the rear is in control. He or she tilts the mobility device back to the balance point of the rear wheels and rolls it to the edge of the top step.
6. A second attendant stands on the third step from the top and grasps the frame. He or she lowers the device one step at a time by letting the rear wheels roll over the stair edge.
7. The attendants should move down one stair at a time until the landing is reached.

J. ESCALATORS**⚠ WARNING**

NEVER use this mobility device on an escalator, even with an attendant.

⚠ WARNING

This early intervention device has been tested and approved using Sunrise accessories. Any accessory that has not been expressly approved by Sunrise Medical will void your warranty, and may add a safety risk to attendant and child.

A. BASE FRAME**⚠ WARNING**

Inspect cables and engage/release buttons before every use to make sure they are in good working condition. Be sure that your base frame is locked before seating your child.

B. UPPER EXTREMITY SUPPORT TRAY**⚠ WARNING**

Before adding or removing a tray to the mobility device be sure to point front casters to the front of the device and engage parking brake. This keeps the wheels from rolling when attaching the tray. The support tray has a weight capacity of 23 kg, (50 lbs).

1. Do not lift this product by its tray support arms.
2. ALWAYS make certain that the tray is fully locked into place after adding it to the dependent mobility device.

C. FASTENERS**⚠ WARNING**

Many of the screws, and nuts on this product are considered to be special high-strength fasteners. They require periodic checks and maintenance to ensure the safety of both the user and attendant.

1. Most adjustments that require removing hardware should be done by your Service provider.
2. Only use fasteners provided by an authorized supplier (or ones of the same type and strength), as indicated by the markings on the heads.
3. Do not over- or under-tighten fasteners. If screws or nuts become loose, tighten them as soon as possible.

D. FOOTREST**⚠ WARNING**

1. Adjustment of the footrest may cause interference with the front lower frame in some positions. This interference can affect the comfort and proper support for the seated dependent.
2. Avoid putting extra weight on the footrest. The mobility device may tip forward (or backward if seating system has been reversed).
3. Never lift this mobility device by the footrests.
4. Do not stand on the footplate during transfer. The chair is likely to tip to the front when standing on the footplate.
5. Always place your feet securely on the ground for transferring into or out of the chair.

E. TYRES AND WHEELS**⚠ WARNING**

1. Yearly tire inspection for excessive wear is suggested to ensure good traction in all types of environments.
2. When installing front or rear wheel/tire assembly, slide the wheels into the axle opening until the quick release button pops out, and you hear a click. Your wheel is now fully engaged and locked.
3. In case of tyre damage contact your health care professional to get a replacement.

F. PARKING BRAKE**⚠ WARNING**

Never engage the parking brake to slow or stop this product when it is moving. To keep the rear wheels from rolling, always engage the parking brake fully when you transfer your dependent or the dependent seating system.

G. UNDERCARRIAGE STORAGE**⚠ WARNING**

This mobility device's storage basket was designed for the addition of up to 15lbs, (7 kg), of additional weight. Excessive weight may cause an unstable or hazardous condition to exist.

H. ACCESSORY TRAYS**⚠ WARNING**

The accessory trays should not be used to store excessive weight, or a piece of equipment that has not been approved for use by Sunrise Medical. This may cause an unstable or hazardous condition for the rider or attendant.

I. CANOPY**⚠ WARNING**

When using the canopy, make sure that it is secure by checking the clamps that hold it to the base.

J. SEATING SYSTEMS**⚠ WARNING**

DO NOT change the seating system, or individual components of your dependent mobility device unless you have first consulted your health care professional.

K. PELVIC POSITIONING BELTS**⚠ WARNING**

Use positioning belts ONLY to help support the child's posture.

1. Make sure the rider does not slide down in the mobility device seat. The belts must be snug, but must not be so tight that they interfere with breathing. You should be able to slide your open, flat hand, between the belt and the rider.
2. Use positioning belts with a cooperative rider only. Make sure that you can remove the belts in an emergency.
3. NEVER use the positioning belts:
 - As a restraint.
 - On a child who is comatose, agitated or is prone to seizures.
 - As a motor vehicle restraint– except those that are included with the transit option for the purpose of occupant restraint.

L. CUSHIONS**⚠ WARNING**

This mobility device's seating was designed for comfort and postural support. If seating component modifications are necessary, consult your healthcare advisor.

M. TILT AND RECLINE**⚠ WARNING**

Using the tilt or recline adjustments triggers before taking the necessary precautions may effect the balance and stability of your device. BEFORE making these adjustments you must be aware of the following:

1. The child must be secure in the device.
2. You must rotate the front casters forward, and engage the parking brake.
3. ALWAYS make certain that the dependent mobility device is level and stable before and after adjusting the tilt and/or recline.
4. ALWAYS support seating shell when releasing the tilt trigger.

N. TRANSIT OPTION AND USE Fig.1.0 - Fig.3.0

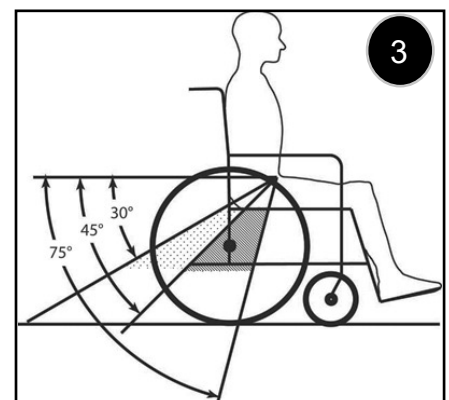
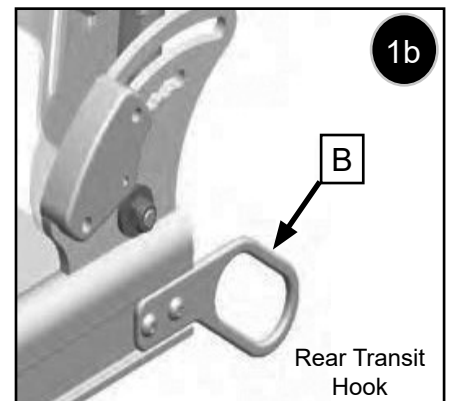
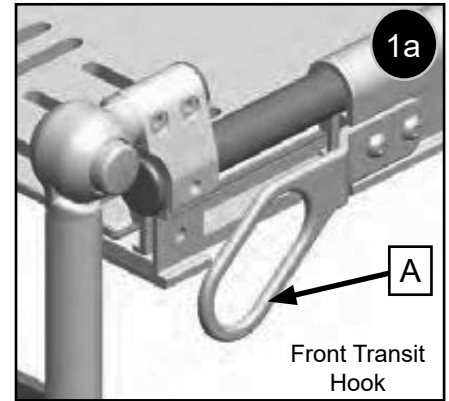
NOTE: The Zippie Voyage has passed transit testing and is considered to be ISO 7176-19 compliant for a dependent child weighing at least 22 kg and up to 34 kg. In transit, the occupant must be secured within the vehicle and anchored with a 3 point harness, with transit straps secured to the front and rear transit loops (A) (B).

⚠ WARNING**USER WEIGHT LESS THAN 22 kg**

When the user being transported is a child, less than 22 kg mass and the vehicle involved has less than eight (8) seated passengers it is recommended that they be transferred to an UNCE Regulation 44 compliant child restraint system (CRS). This type of restraint system provides a more effective occupant restraint system than the conventional 3 point occupant restraint system and some CRS systems also include additional postural supports to assist in maintaining the position of the child when seated. Parents or care providers may consider the option, in some circumstances, for their child is to remain in their wheelchair whilst in transport due to the level of posture control and comfort provided by the set up in the wheelchair. We would recommend in such circumstances that a risk assessment be carried out by your attendant and relevant competent persons.

VII. WARNINGS– COMPONENTS & OPTIONS

1. The occupant must be facing the front of the vehicle during transport.
2. Wheelchair Tiedown and Occupant Restraint Systems (WTORS) must be used.
3. A Wheelchair Tiedown that has been tested in accordance with ISO 10542 must also be used in any transit situation.
4. The Occupant must be restrained with a vehicle anchored 3-point belt.
5. For all transit situations, you must use the Transit Strap (C) provided with your device. It secures the seating shell to the rear frame. It is critical that the strap be threaded thru the 2 “D” clips (D) as shown in (figure 2) for the safety of the occupant.
6. Mobility device mounted accessories, such as trays and respiratory equipment, and batteries, should be removed, and secured separately. The optional Voyage vent tray, oxygen holder, and IV pole must also be removed and secured separately before using as a seat in a motor vehicle.
7. The occupant must not weigh more than 75 lbs. (34 kg).
8. The location(s) of the front and rear securement points (A) (B) are shown in (figure 1a and figure 1b) and marked with a transit point label for clear identification.
9. Use only with WTORS that have been installed in accordance with the manufacturer’s instructions and ISO 10542. Attach WTORS to the securement points (A) (B) in accordance with the manufacture’s instructions and SAE J224
10. The angle of the pelvic belt should be within the preferred zone of 45 to 75 degrees to the horizontal, or within the optional zone of 30 to 45 degrees to the horizontal (figure 3)
11. The pelvic belt should be worn low across the front of the pelvis. Position upper torso belts over the shoulders. The belt(s) should not be held away from the body by wheelchair components. Ensure that the belts are not twisted.
12. If a recline angle is required during transport, the chair seat/back should be positioned at an angle of no more than 30° to the vertical, or the occupant is at risk of injury in the event of an accident or collision.
13. Attach all occupant restraints in accordance with the manufacturer’s instructions and ISO 10542.
14. Remove canopy, belly bar, tray, underframe tray and buggy board for transit.
15. Remove any content out of the basket.



Look for this symbol on your wheelchair. It indicates wheelchair securement points which conform to ISO 7176-19 (2008).

A. UNFOLDING AND FOLDING BASE FRAME

⚠ WARNING

1. Zippie dependent mobility devices are designed for stability and performance. When unfolded, the device must be fully open and locked to avoid injury to the dependent rider.
2. Follow the instructions for unfolding the device carefully, and double-check that the device is fully locked before adding the seating shell and rider.
3. Be careful not to trap or pinch your fingers.

Unfolding: 4 5 6

1. Unsnap the storage lock (A) from around the folded frame. It should remain attached to the frame for future use.
2. Pull up on the upper frame (B) until it looks into place. It may be necessary to put your foot on the bottom bar while pulling up on the upper frame (Fig. 6).
3. Rear wheels and front casters can now be attached if they are not attached already.

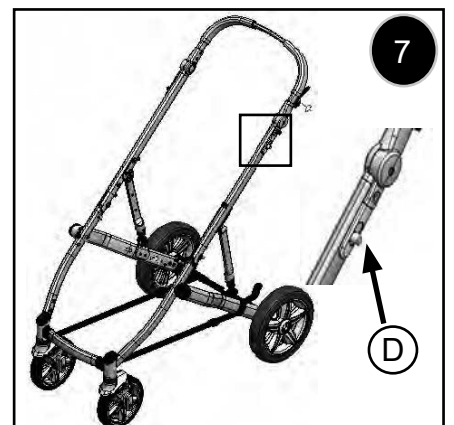
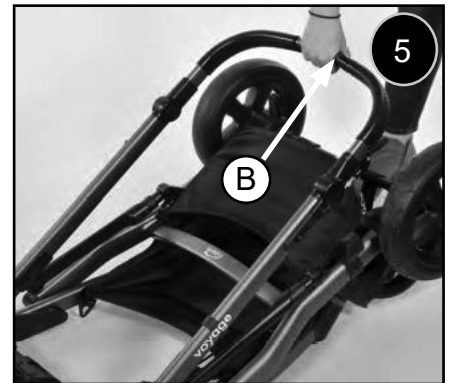
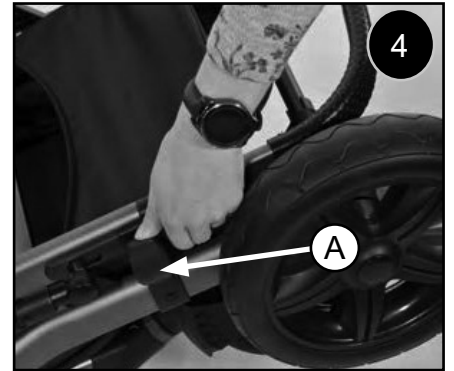
Folding: 7 6 4

⚠ WARNING

The Voyage is not intended to be folded with the seating system installed. ALWAYS remove the seating system prior to folding the base. Failure to do this may damage the product.

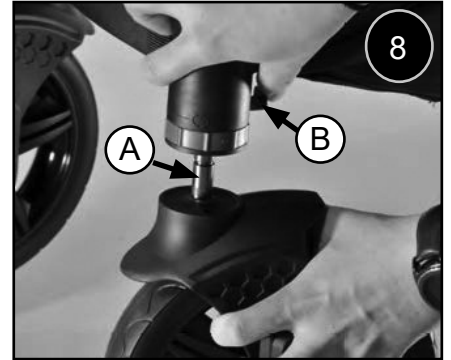
1. Remove the child from the seating shell, then remove the seating shell (refer to subsection (F))
2. Unlock the front caster wheels.
3. Return handle to the straight position as show in Fig. 7.
4. Set parking brake.
5. Pull up on both triggers (D) at the same time. This action will release the frame lock. Continue pulling up on the triggers while pushing down on the upper frame.
6. Push handle down to begin folding of the base.
7. Lift on the center tube of the Slide-N-Lock (C). Fig. 6.
8. Snap the storage lock (A) around the upper frame to prevent the frame from opening when transporting, or storing the frame.

NOTE: Rear wheels, or front casters do not have to be removed for this procedure, but may be removed to save space for storage.
 If you decide to leave the front casters on the device, it may not lock correctly due to interference between the caster wheels and the push handle.
 In most cases you should fully retract the push handle before folding, then you will be able to snap the storage lock easily. Do not force the base open or closed if it sticks during unfolding or folding, damage could occur.



B. CASTER WHEELS**Installing and Removing the Caster Wheels:** 8

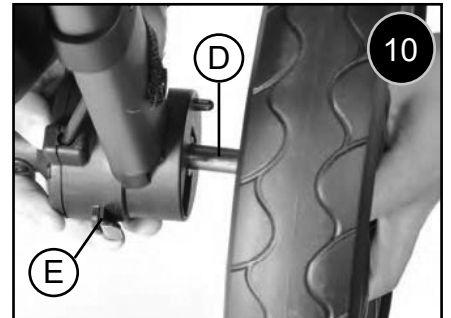
1. Locate the caster stem guide hole location on the bottom of the Voyage frame. Line up the caster stem (A) with the hole, while pushing in tab (B) insert the caster stem until it clicks into place. Check the secure engagement to the base by pulling on the caster wheel. If it does not move the caster wheel has been installed properly. Repeat this procedure for other side.
2. To remove the caster wheel, press in tab (B) and pull the caster wheel out.

**Caster Wheel Locks:** 9

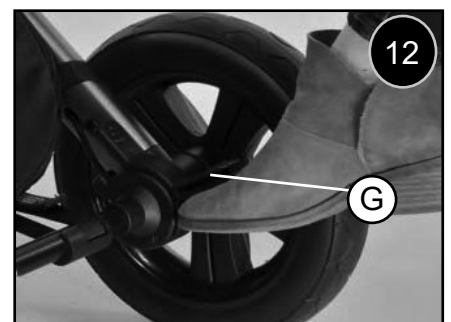
1. To lock the caster wheel, locate the lock ring (C). Turn the lock ring clockwise until it clicks into place. Do this with both of the front caster wheels, and check to insure that the lock has been engaged.
2. To unlock the caster wheel turn the lock ring counter clockwise until the wheel freely rotates.

**C. REAR WHEELS****Installing and Removing the Rear Wheels:** 10

1. To install rear wheel, gently slide the rear wheel's axle (D) into the hole in the frame until the wheel clicks into place.
2. To remove the rear wheel, simply press the wheel button (E) while gently sliding the wheel away from the frame.

**D. PARKING BRAKE OPERATION****Engage or Disengage the Parking Brake:** 11 12

1. Engage the parking brake by gently pushing down with your foot on the brake foot pedal (F).
2. To release the parking brake, push forward on vertical lever (G).



E. SEATING SHELL INSTALLATION

⚠ WARNING

BEFORE installing the seating shell, always check that the mobility device is completely unfolded and in the locked position, and that all four wheels are locked in place. The seating shell should never be installed with a seated occupant. Always remember to stabilize the mobility device before performing this action.

- Rotate the front casters until they point forward.
- Engage the parking brake.

The seating shell has a latch mounted underneath the seat plate. The interface on the base is the counterpart to the latch and mates with the latch. The seating shell may be installed so that the child can face either frontwards or rearwards. Installation is the same in either direction.

Using the latch lock:

13 14

NOTE – The latch under the seat plate has a lock that can be used to provide additional securement after the seat is installed.

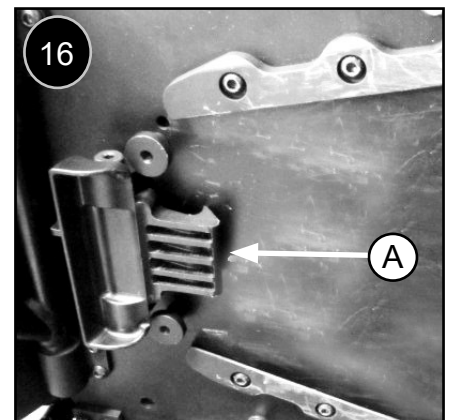
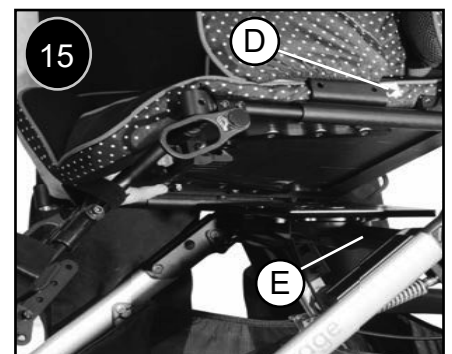
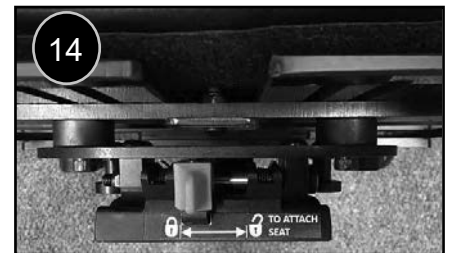
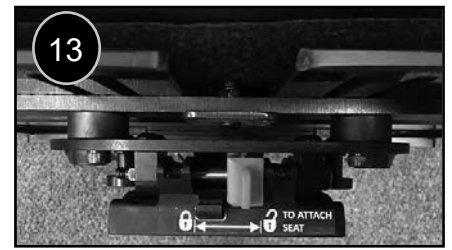
1. BEFORE attaching or removing the seat to or from the base, the latch lock (K) MUST be slid to the right (unlocked position) as shown in Fig 14.
2. To prevent inadvertent activation of the seat latch, slide the latch lock to the left as shown in Fig 15 AFTER the seat is fully secured to the base (you cannot attach seat to base while lock is engaged).

Install the seating shell:

15

NOTE – When installing the Moderate Seating System in the rearward facing direction, raise the footrest to about a 5 degree angle, to clear the stroller base crossbar and allow seat to lock into the receiver.

1. Make sure the seat is in the fully upright position (no recline or tilt).
2. Ensure all positioning straps and accessories are out of the way and will not interfere with the seat from fully engaging the receiver.
3. **For moderate seating system only:** Line up the alignment tag (D) with the support cross bar (E) on the base (Fig. 15).
4. Lower the seating shell so that the seating shell and mounting plate are in contact.
5. Slide the seat backwards evenly. You should hear an audible click. Check the secure engagement to the base by pulling up on both sides. If it does not move or tilt, the seating shell is now locked and has been installed properly.
6. The seating shell is now ready to accept an occupant for transportation and/or adjustment.



F. SEATING SHELL REMOVAL

⚠ WARNING

BEFORE removing the seating shell, always remove the occupant to a safe location. Failure to do so may result in injury to the dependent, and/or caregiver. Always remember to stabilize the mobility device before performing this action.

- Rotate the front casters until they point forward.
- Engage the parking brake.

Removal of the seating shell:

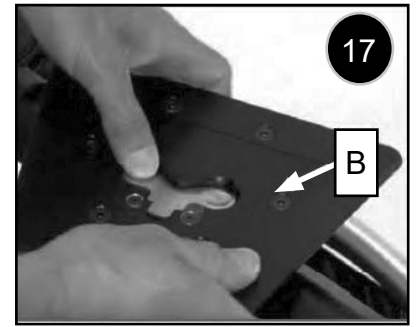
16

1. Make sure the seat is in the fully upright position (no recline or tilt)
2. Pull and hold release lever so that it disengages (A) from the receiver, slide the seating shell forwards and lift off once the seating shell has been disengaged.
3. The seating shell is now ready to be inspected and/or stored.

Rotating the seat shell direction: 17 17.1 18 19

1. Lock the wheels, remove the seat.
2. Be sure the Tilt setting is at the “home” or 0° position. Do this by squeezing the Tilt Release lever and letting the “Slide-n-Lock” (Receiver) plate spring flat.
3. STEP 1: Press the gold button, Numbered 1 (A) on the Slide-n-Lock plate and rotate the plate until it stops (Fig 17).
4. STEP 2: Pull the Pin (B) with one hand and rotate the Tilt Limiter Sleeve (C) with your other hand* (Fig 18 and 19).
5. -NOTE: Only rotate the Tilt Limiter Sleeve in the process of rotating the Plate.
6. *When the seat is forward facing the Tilt Limiter Sleeve should be rotated rearward, when the seat is rearward facing the Sleeve should be rotated Forward.
7. STEP 3: Finish rotating the Plate 180° until it locks into place. (Fig. 17.1)

NOTE – When fitted with an Advanced Seating system, maximum posterior (forward) tilt range may be limited.

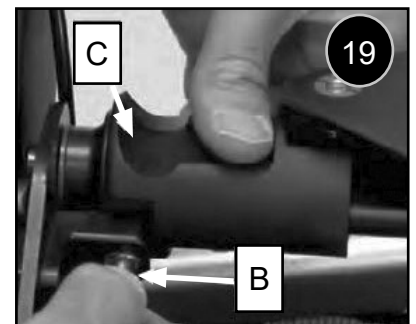
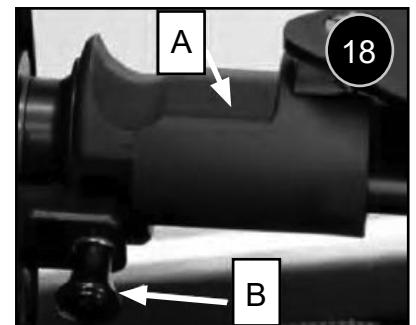


Insert or remove the Grab Handle: 20

Always stabilize the mobility device before performing the action.

- Rotate the front casters until they point forward.
- Engage the parking brake.

8. Be careful to avoid pulling or crimping any life support tubing that may be attached to the child. This adjustment can create a pinch point, so be careful to remove any obstruction, and/or clothing that could get stuck in this area.
9. The adjustment is made from the front of the device. Depress both detent pins (E) simultaneously, and either insert or remove the Grab handle (D).
10. If you are inserting the Grab Handle (D) push the handle in far enough so that the detent pins pop out of the locking hole (E).
11. Pull up on the handle to make sure that it is locked into place.
12. Depending on preference, the grab bar is reversible.

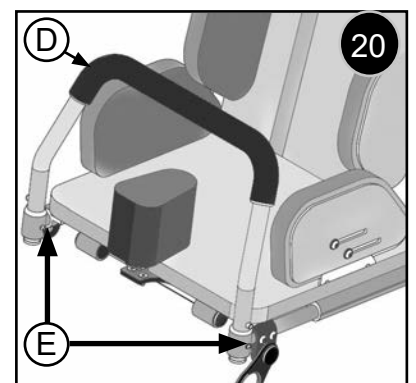


G. TILT IN SPACE ANGLE ADJUSTMENT

⚠ WARNING

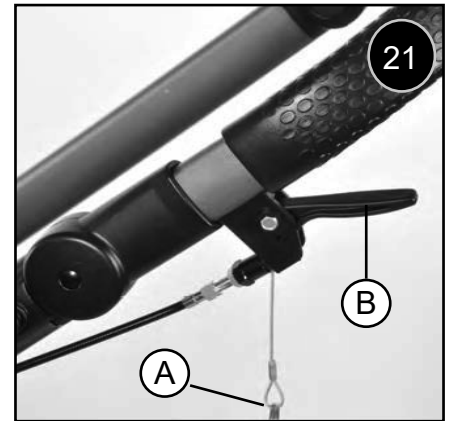
BEFORE using the tilt adjustment, always check that the mobility device is completely unfolded and in the locked position, and that all four wheels are locked in place. Be careful to avoid pulling or crimping any life support tubing that may be attached to the child. Always remember to stabilize the mobility device before performing this action.

- Rotate the front casters until they point forward.
- Engage the parking brake.



Tilt adjustment: 21

1. Remove the safety pin to allow tilt. Grasp the tilt lever (A) on the left side of the frame, and squeeze, and then pull back on top of the seating shell to achieve desired angle adjustment. The back support and seating support components, including the footrest should move together.
2. Release the handle and gently pull on the seating shell to make sure it is locked in the new position.
3. This adjustment can change the balance of the device slightly so it is good to check that there is no danger of tipping with the new setting

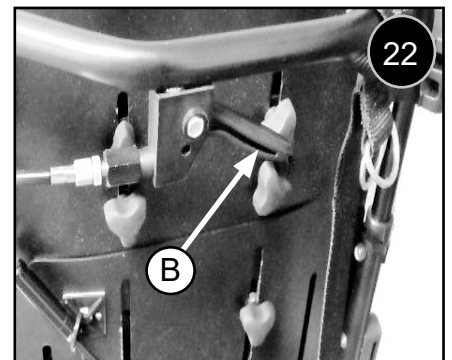
**H. RECLINE ADJUSTMENT****⚠ WARNING**

BEFORE using the recline adjustment, always check that the mobility device is completely unfolded and in the locked position, and that all four wheels are locked in place. Be careful to avoid pulling or crimping any life support tubing that may be attached to the child. Always remember to stabilize the mobility device before performing this action.

- Rotate the front casters until they point forward.
- Engage the parking brake.
- If equipped with shoulder harness, loosen the shoulder straps to allow room for the recline.

Recline adjustment: 22

1. Remove the safety pin from the recline lever. From behind your mobility device, grasp the recline lever (B). Squeeze the lever then pull on the back support area. (The back should move independently of the seating support and footrest). When desired angle adjustment has been reached, release the handle and gently pull on the seating shell to make sure it is locked in the new position.
2. This adjustment can change the balance of the device slightly so it is good to check that there is no danger of tipping with the new setting.
3. If equipped with shoulder harness, re-adjust the straps for proper fit.

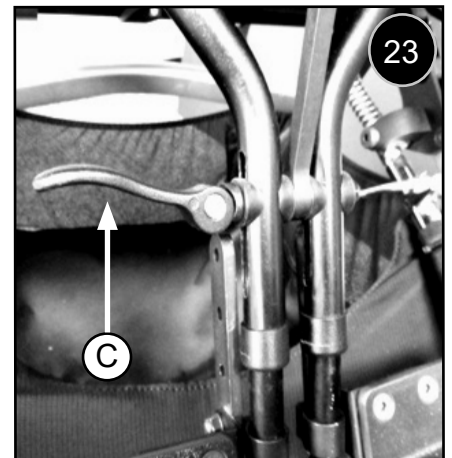
**I. KNEE ANGLE ADJUSTMENT****⚠ WARNING**

Always stabilize the mobility device before performing this action.

- Rotate the front casters until they point forward.
- Engage the parking brake.

Knee angle adjustment: 23

1. Be careful to avoid pulling or crimping any life support tubing that may be attached to the child. This adjustment can create a pinch point, so be careful to remove any obstruction, and/or clothing that could get stuck in this area.
2. Release the quick release lever, (C) and adjust the knee angle to the proper angle.
3. Lift up the quick release lever to lock it properly after every adjustment.

**J. STEP TUBE**

The Step Tube is used by attendants to push the chair over an obstacle. Simply step on the tube to push a wheelchair, for example, over a kerb or step.

K. CANOPY INSTALLATION AND ADJUSTMENT**⚠ WARNING**

It is always best to make sure the dependent is not seated in the mobility device during the installation of accessories.

Canopy installation:

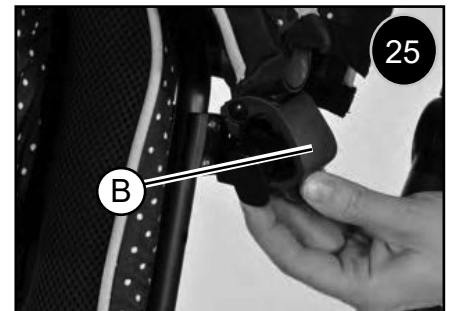
24 25

1. From behind your mobility device, attach the canopy to the seating shell receivers (A).
2. Check that the canopy has been installed correctly by visual inspection and checking for looseness, or an incorrect attachment. The plastic tabs (B) must be locked into place for safe operation.

**Canopy adjustment:**

26

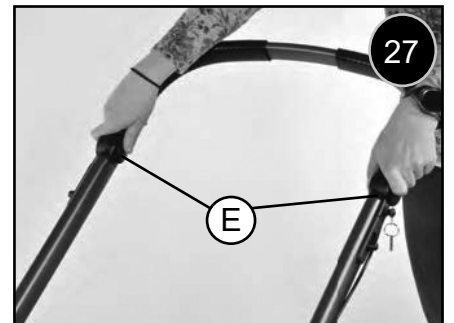
1. Once installed, you can adjust the canopy angle by pushing it forward or backward until desired protection is obtained.
2. You can also loosen the button-head screws (C) and rotate the Canopy Brackets (D) for more clearance or coverage for the occupant. Make sure to adjust both sides evenly when adjusting the rotating canopy brackets.
3. Lift the front of the canopy all the way up for clearance and access to the child.
4. When canopy is being used with the tilt and recline adjustments, it may be necessary to angle the canopy either forward or rearward for better clearance with the push handle.

**L. TELESCOPING STROLLER HANDLE EXTENSION****To adjust the Handle:**

27

The handle height is adjustable for pushing comfort.

1. The adjustment is made from the back of the device. Depress both stroller handle pivot buttons (E) simultaneously, and adjust to desired angle.
2. Release the buttons and allow the stroller handle to lock into place.



A. POSITIONING AND GROWTH ADJUSTMENTS**⚠ WARNING**

If a change in adjustment is necessary for growth or positioning, a healthcare professional must be consulted before any changes are made. These adjustments are very important to the orthopedic and neurological needs of the child. Care should be taken to make sure the changes are physiologically and medically appropriate. Sunrise Medical suggests that any positioning or growth adjustments be made by your service provider. Do not allow any adjustments while the child is seated in the mobility device.

Torque Settings:

A torque setting is the optimum tightening which should be made on a particular fastener. It is important to use proper torque settings where specified. When not specified, torque settings should be: M5 fasteners = 44 in-lbs (5 Nm), M6 fasteners = 62 in-lbs (7 Nm), M8 fasteners = 88 in-lbs (10 Nm). For all others torque setting should be 60 in-lbs (6.8 Nm).

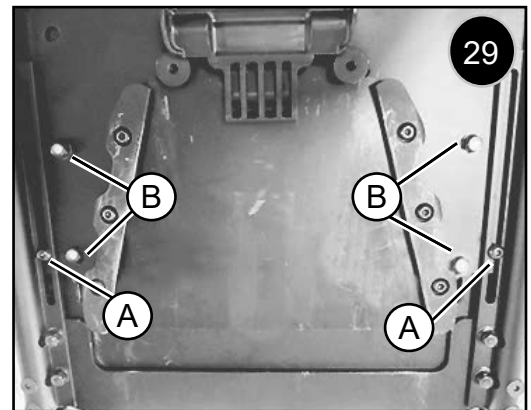
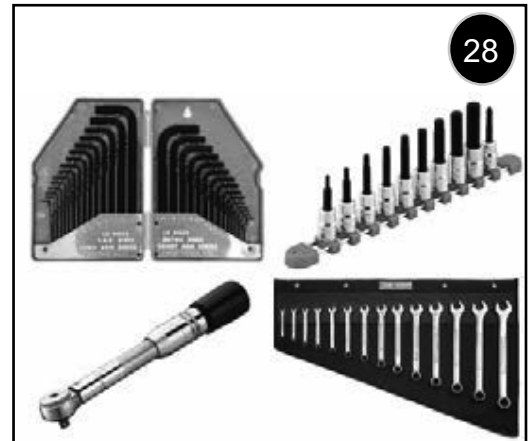
Tools you will need: 28

1. Imperial Hex key set
2. Metric Hex key set
3. Imperial Open-end Wrench set
4. Metric Open-end Wrench set
5. Torque wrench
6. Imperial Hex bit Socket set
7. Metric Hex bit Socket set
8. Phillips and Flat screwdrivers

NOTE: The torque wrench must measure inch-pounds. You may buy a torque wrench and proper metric sockets from any local hardware store.

In general, positioning and growth adjustments should be done in the following order:

1. Adjust seated area
2. Adjust back support area
3. Adjust pelvic positioning belt
4. Adjust footrest
5. Adjust head support(s)
6. Make other standard and optional adjustments that are needed
7. Check to be sure that all adjustment screws are torqued to specifications

**B. COMFORT SEAT ADJUSTMENT****Comfort seat depth adjustment:** 29

NOTE: Seat Plate viewed from underneath.

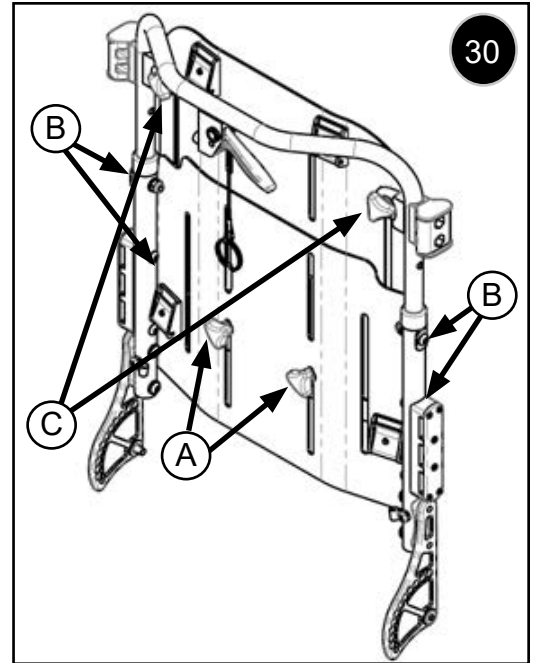
1. Remove the seat cushion. It is attached with Velcro®.
2. Loosen the screws (A) on both sides (do not remove).
3. Loosen four nuts (B); hardware may need to be removed for certain adjustments.
4. Adjust the depth by sliding front seat pan forwards or backwards.
5. Re-tighten fasteners (A) & (B) to (75-85 in-lbs / 8,5-9,5 Nm).
6. Place seat cushion back on the seat.

⚠ WARNING

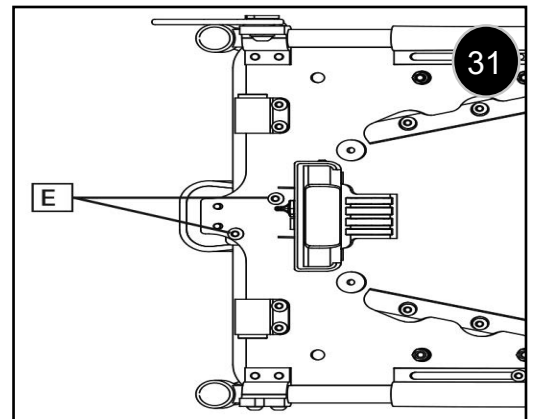
- For ease of adjustment and the safety of the dependant, remove the occupant before any adjustment is made.
- Always stabilise the mobility device before performing these actions.
- Adjusting the back height can alter the overall centre of gravity. Check that the mobility device is stable and won't tip at the new setting.

Comfort back height adjustment: 30

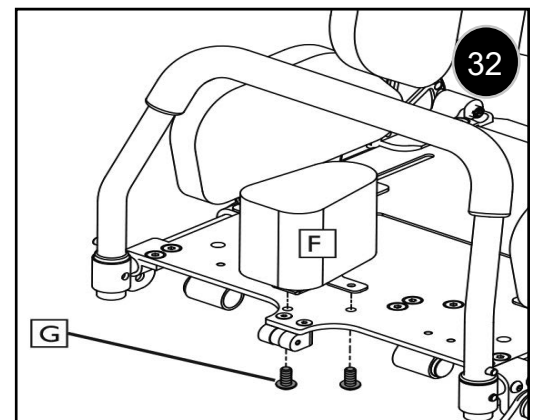
1. Rotate the front castors until they point forwards.
2. Engage the parking brake.
3. Remove backrest cushion.
4. For quick adjustment, 100 mm, (4"), loosen, or remove if necessary, four knobs (A) and (C) on the back.
5. If laterals are present, loosen those attachment knobs as well.
6. Adjust the height by sliding upper backrest shell up or down.
7. Re-tighten the knobs (A) and (C).
8. For additional height, (more than 100 mm), adjustment beyond the range of slots, remove the screws on the back canes, (B) on both sides, and loosen bottom two knobs (A).
9. If laterals are present, loosen, or remove if necessary, their attachment knobs as well, or completely remove laterals.
10. Slide the back shell assembly and handle up or down to the next hole. The spacing is 76 mm, (3").
11. Re-tighten fasteners (A) & (B).
12. Replace backrest cushion.

**Comfort medial installation:** 31 32

1. Position footrest up horizontally, parallel to the floor.
2. Find two holes (E) in seat pan, located on both sides of footrest tube.
3. Seat cushion must be attached in place.
4. Slide metal bracket through slot in the cushion and align holes in the bracket with holes in the seat pan.
5. Attach medial pad (F) to seat pan with screws (G).

**C. SHOULDER STRAP HEIGHT ADJUSTMENT:**

1. Loosen, do not remove, the hand wheels on each side on the back plate.
2. Adjust shoulder strap to proper height.
3. Tighten all of the hand wheels (do not overtighten) and then re-adjust the shoulder straps for a comfortable fit.



D. FOOTREST ADJUSTMENTS:

33 34

Height Adjustment:

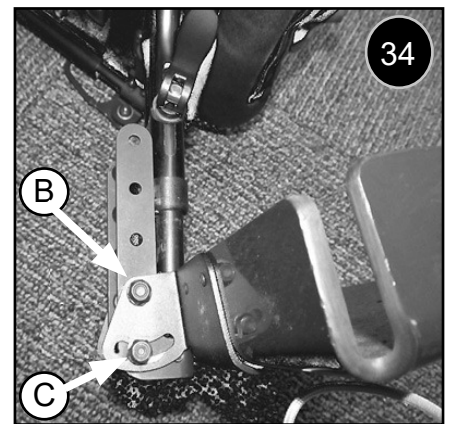
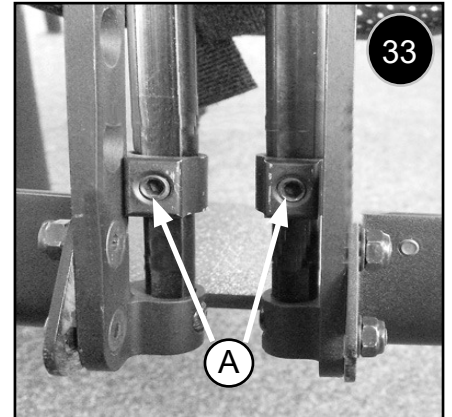
The height adjustment for the footrest consists of one telescoping tube sections which locks the footrest height.

1. Identify adjustment screw locations (A) on the rear side of the footrest hanger.
2. First loosen the upper screws on each side of the footrest hanger.
3. Slide the footrest up or down to proper height.
4. Tighten the upper screw to 1.7 Nm - 2.26 Nm, (15 - 20 in-lbs), do not overtighten.
5. Repeat procedure using lower screw if additional range is required.

NOTE: Footrest is shown inverted for shortest possible leg length. It can be attached either way by flipping the footrest for more height or more secure foot placement.

Angle Adjustment

1. The footrest has two screws (B) and (C) that control footrest rotation. Loosen both screws on each side of the footrest as shown in (figure 30).
2. Adjust the footrest to proper angle.
3. Tighten the adjustment screws to 4.5 Nm - 5.1 Nm, (40 - 45 in-lbs), to maintain proper footrest angle. (Do not overtighten this hardware against plastic parts).



E. FLOOR TO SEAT HEIGHT ADJUSTMENT Table 1

The Voyage Stroller has three floor to seat height positions:
 Low: 23" (590 mm), Med: 24.5" (625 mm), and High: 26" (660 mm) See Table 1.0

Floor to Seat Adjustment:

1. Remove all four screws (A), two on each side of stroller.
2. Position the cross bar tilt assembly to the desired height.
3. Re-install the four screws in the proper position indicated in the images to the right.
4. Tighten the bolts to a torque of 75-85 in-lbs (8.5-9.5 Nm).

LOW: 23" (590 MM)	MED: 24.5" (625 MM)	HIGH: 26" (660 MM)

Table 1

F. PELVIC POSITIONING BELT ADJUSTMENTS: 35**Length Adjustment:**

1. Remove any belt twists and place the belts outside of the seating area.
2. Engage wheel locks, seat the child, and snap the pelvic positioning belt ends together.
3. Adjust belt length to provide a snug fit.
4. The adjuster is to the child's left, (D-Fig.35).

Position Adjustment:

The Belt can be mounted to the Pivot bracket in the rear, or the Hip bracket when needed forward.

⚠ WARNING

- Before using the wheelchair make sure that the pelvic restraint belt is fitted.
- The pelvic restraint belt must be checked on a daily basis to ensure it is free from any obstruction or adverse wear.
- Always make sure that the pelvic restraint belt is correctly secured and adjusted prior to use.

⚠ DANGER

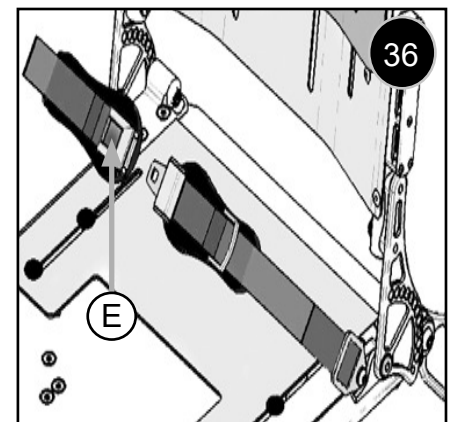
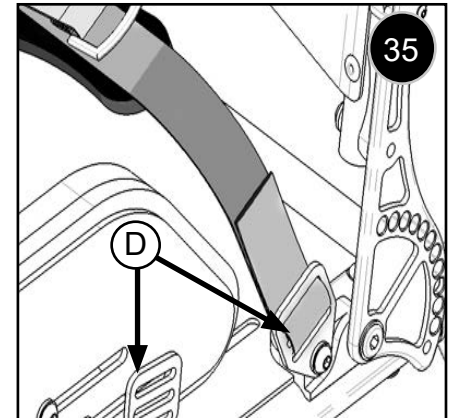
If the strap is too loose, this could cause the user of the wheelchair to slip down and risk suffocation or serious injury.

Adjust the pelvic restraint belt to suit the user's needs as follows: 36 36b

- Engage wheel locks, seat the child and snap the pelvic positioning belt ends together.
- Adjust the belt position so buckles are in the centre of the seat.
- Feed free belt back through male buckle and slide adjusters.
- Ensure belt is not looped at male buckle.
- Feed free belt through slide adjusters and male buckle to provide more belt length.
- When fastened, check space between the pelvic restraint belt and user.
- When correctly adjusted it should not be possible to insert more than the flat of the hand between the pelvic restraint belt and the user.

The pelvic restraint belt should be fixed so that the belt sits at an angle of 45 degrees across the user's pelvis.

The user should be upright and be as far back as possible in the seat when correctly adjusted. The pelvic restraint belt should not allow the user to slip down in the seat.



To fasten buckle:

Firmly push male buckle into female buckle.

To release buckle:

Press the RED button, "E", in the centre of the buckle then pull the two halves gently apart.

NOTE: If you have any questions on the use and operation of the pelvic restraint belt, the please contact your wheelchair dealer, carer or attendant.

If you want to purchase a pelvic restraint belt subsequently, please contact your wheelchair dealer.

⚠ WARNING

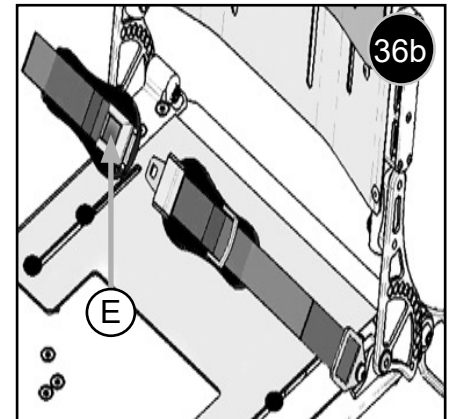
- The pelvic restraint belt must only be fitted or adjusted by an approved Sunrise Medical dealer / agent.
- The pelvic restraint belt must be checked on a daily basis to ensure it is adjusted correctly and free from any obstruction or adverse wear.
- Sunrise Medical does not allow the transportation of a person in a vehicle with the pelvic restraint belt as a restraint system.

Maintenance:

- Check pelvic restraint belt, and securing components, at regular intervals for any sign of frays or damage. Depending on usage, it may need to be replaced.
- If you want to fit a belt subsequently, please contact your wheelchair dealer.

⚠ WARNING

The pelvic restraint belt should be adjusted to suit the end user as detailed above Sunrise Medical also recommends that the length and fit of the belt is checked on a regular basis to reduce the risk of the end user inadvertently re-adjusting the belt to an excessive length.

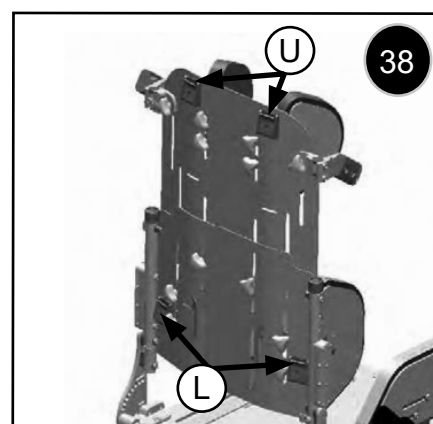
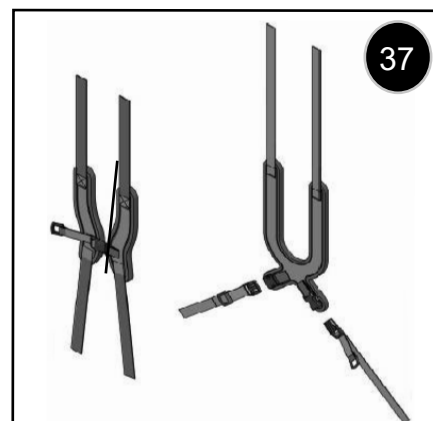


G. ANTERIOR TRUNK BUTTERFLY SUPPORT**⚠ WARNING**

- To avoid serious injury or issues with eating or breathing, the pelvic positioning belt is required to be used in combination with an anterior trunk support. Double-check all adjustments to ensure there is no possibility of obstructing the airway or any other undesired constrictions. Do not use the anterior trunk support without the pelvic positioning belt.
- Sunrise Medical does not allow the transportation of a person in a vehicle with the anterior trunk support as a restraint system.

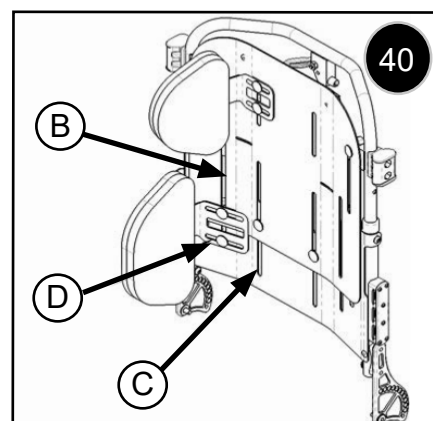
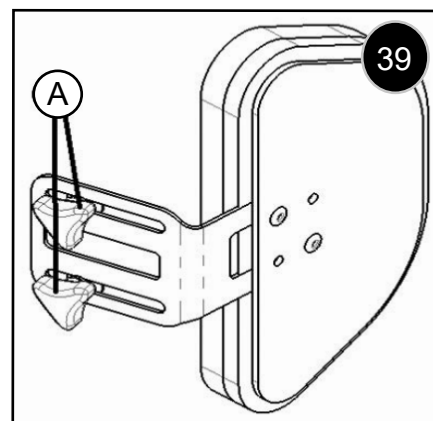
Harness Adjustment: 37 38

1. Place the child in the seating system and fasten the pelvic positioning belt.
2. Position the child's hips and tighten the belt to the proper position.
3. Unlock the two lower cam locks (L) and the two upper cam locks (U).
4. First, adjust the lower straps to keep the harness from riding up on the child's torso and lock lower cams (L).
5. Then, adjust the upper straps making sure there is enough room around the child's neck for easy breathing and eating, and lock upper cams (U).

**H. LATERAL TRUNK AND HEAD SUPPORTS (OPTIONAL)****Lateral and head support height and width adjustments:** 39 40

NOTE: The following adjustments may be able to be accomplished with the child present in the seating system.

1. Loosen or remove if necessary, the two knobs (A) from the rear of the shell enough to gain adjustment of the laterals.
2. Use shell slots, (outer, "B", or inner, "C"), for height adjustment. Move the laterals up or down to the proper position and tighten the knobs.
3. Use lateral bracket slots, "D", for width adjustment or move from outer to inner shell slots. Adjust the lateral brackets for width bringing the lateral assembly to the proper position and tighten the knobs.



I. ANTERIOR SUPPORTS

When deciding if you should use Anterior supports, always consult your healthcare advisor.

Some children, due to their disability level or physical condition, may need anterior supports to help maintain proper posture or body position. Such devices include head straps, shoulder straps, thoracic strap systems, pelvic supports, and belts.

⚠ WARNING

Risks of injury with head supports and how to avoid them.

Excess movement or migration of the pelvis- This may cause the supports to displace. If this occurs, severe injury to the child could result.

To avoid risks:

1. It is VITAL to keep the child in a stable pelvic position.
2. Anterior supports should ONLY be used with seat, back, and pelvic supports or belts that keep the child from sliding down in the seat.
3. Anterior supports must be fitted by your authorized supplier and your healthcare professional.
4. After fitting, anterior supports, they should ONLY be placed and adjusted by trained professionals.
5. DO NOT leave the child unattended when using anterior supports.

J. HIP GUIDES (OPTIONAL): 41

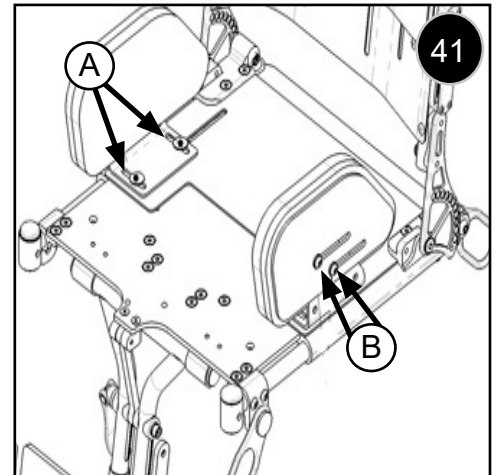
Width Adjustment, (A):

1. Determine the proper location for each hip pad.
2. Remove the seat cushion to expose hip pad adjustment screws.
3. Loosen two adjustment screws for each hip pad just enough to allow adjustment.
4. Adjust hip pads to the desired position.
5. Tighten the adjustment screws and replace the seat cushion.

Forward/Rear Adjustment, (B):

1. Determine the proper location for each hip pad.
2. Remove the cushion of the hip guide to expose hip pad adjustment screws.
3. Loosen two adjustment screws for each hip pad just enough to allow adjustment.
4. Adjust hip pads to the desired position.
5. Tighten the adjustment screws and replace the hip guide cover.

NOTE: Hip pad hardware must be removed for hip widths greater than 10" (254 mm). The foam hip pad attaches beneath fabric at back pivot point to accommodate an 11" (280 mm) hip width.

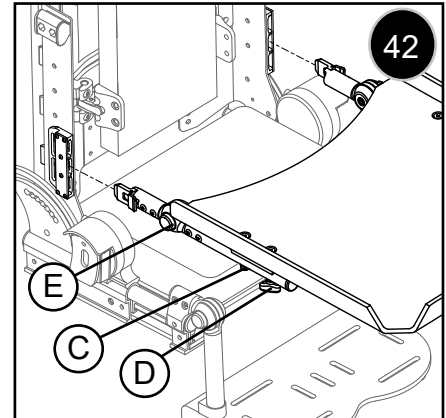


K. TRAY INSTALLATION AND ADJUSTMENT: 42

1. Slide the tray over the tray supports, adjust depth and click into place.
2. Check that nut (C) is just loose enough so that the tray can be adjusted.
3. Knob (D) is loosened to adjust the depth of the tray and tightened on both sides to hold the adjustment.
4. Adjust the angle of the tray by holding in both knuckle buttons (E) on the support arms and raising the tray to desired angle, the tray should click in place for a positive lock.

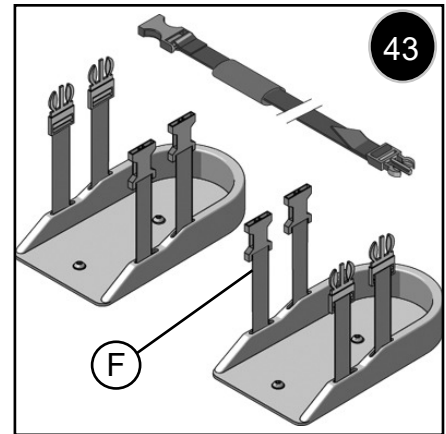
⚠ WARNING

Using a pelvic positioning belt is critical for child safety when foot straps or shoe holders must be used for therapeutic positioning needs.

**L. FOOT STRAP ADJUSTMENT (OPTIONAL):**

NOTE: Optional foot straps are intended for therapeutic positioning needs only.

1. Engage wheel locks, then seat the child.
2. Unlatch and loosen the two foot straps (F).
3. Place child's foot into position and snap the foot strap into place.
4. Keep the straps as loose as possible and only tighten enough to maintain therapeutic position.

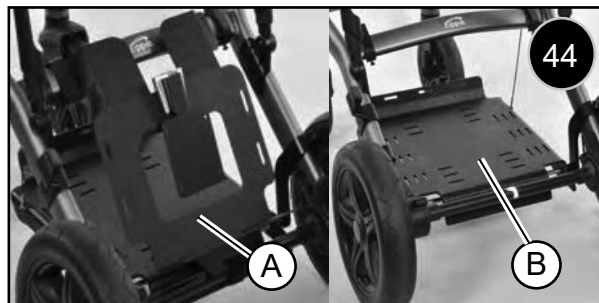
**M. SHOE HOLDER STRAP ADJUSTMENT (OPTIONAL):** 43

NOTE: Shoe holders are intended only for therapeutic positioning needs.

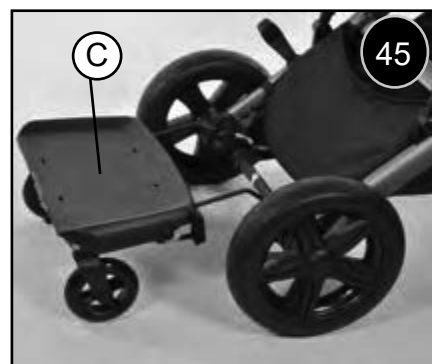
1. Engage wheel locks and seat the child.
2. Loosen the shoe holder straps (F).
3. Child should be wearing shoes for this step. Place child's foot into shoe holder and snap the two shoe holder straps into place.
4. Keep the straps as loose as possible and only tighten enough to maintain a therapeutic position.

N. VENT/BATTERY TRAYS (OPTIONAL): 44

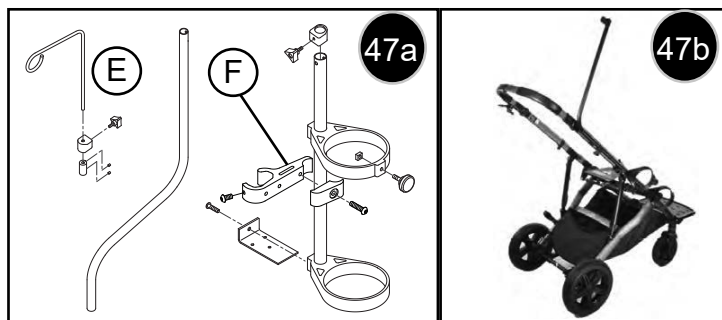
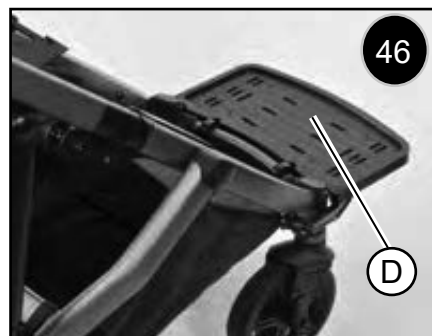
1. There are two types of Vent platforms. A rear mount or dovetail vent mount (A) which has a weight capacity of 15lbs, and an underframe vent tray (B) which has a weight capacity of 50lbs (22.7 kg).
2. The vent platforms attach easily to the Voyage base frame.
3. Tie down straps are included with this option to secure the equipment.
4. The Catch-all (I) is included and folded forward of tray for a smaller storage space.

**O. FRONT OR REAR ADD-ON PLATFORM (OPTIONAL):** 45 46

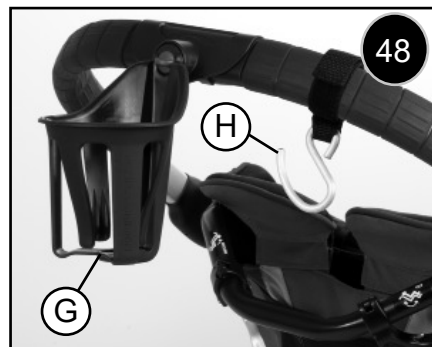
1. The rear platform (C) can be used for support of a vent, or other equipment that might be needed.
2. The front mount utility platform (D) has a weight limit of 50lbs (22.7 kg).
3. Tie down straps are included with this option to secure the equipment.

**P. IV SUPPORT POLE / O2 TANK HOLDER (OPTIONAL):** 47a 47b

1. IV pole (E) and Oxygen holder (F) are both fully adjustable and attach directly to your Voyage base frame using the hardware shown in (figure 47a).
2. The location of the clamp is shown in (Figure 47b).

**Q. CUP HOLDER, UTILITY HOOK (OPTIONAL):** 48

1. Cup holder (G) is easy to attach and lock into place.
2. The utility hook (H) uses a Velcro® attachment, and is usually used to route oxygen hoses, but can also be used for hanging other light items.



A. NOTES

1. Proper maintenance will improve performance and extend the useful life of your mobility device.
2. Clean the device regularly. This will help you find loose or worn parts and will make your device easier to use.
3. To protect your investment, have all major service and repair work done by your supplier.
4. At least every four months, check all screws and knobs for tightness. If parts are missing, broken, damaged or worn, then discontinue use of the product until repairs are made, using factory-authorized parts.
5. Wipe down all plastic components periodically with a solution of mild soapy water to maintain cleanliness.
6. Hand wash and air-dry the fabric components as needed.
7. Lubricate all moving metal parts with a teflon lubricant only.

NOTE: Using lubricant other than Teflon-based may damage moving parts

8. Check the parking brake lock pin weekly to make sure it engages smoothly into the wheel hub. This simple check will insure the safety of the rider. Lubricate with a Teflon Lubricant when needed.
9. Check and clean the wheel attachment points frequently, this is a main area that can collect dirt and grime. Debris in this area can effect the performance and safety of the device.

WARNING

1. Your device needs regular maintenance for peak performance and to avoid injury from a device failure, damage or premature wear.
2. Inspect and maintain this device strictly using this Owner's manual as a reference.
3. If you detect a problem, make sure to service or repair the device before putting it back into use.
4. At least once a year, have a complete safety check and service of your device performed by your supplier.
5. Sand and sea water (or salt in the winter) can damage the bearings of the front and rear wheels. Clean the wheelchair thoroughly after exposure.

B. CLEANING

Base Frame Parts:

- Clean with mild soapy water monthly.

Upholstery:

- Hand-wash only as needed.
- Machine wash as needed.
- Drip-dry only. Heat from a dryer may damage fabric.
- Flammability resistance of upholstered parts in accordance with ISO 7176-16 (EN 1021-1/2).

NOTE: Washing the fabric may decrease fire retardant properties.

C. STORAGE TIPS

1. Store your device in a clean, dry area. If you fail to do so, parts may rust or corrode.
2. Before using your mobility device, make sure it is in proper working order. Inspect and service all items included in this Manual.
3. If you store this device for more than three months, have it inspected by a supplier before use.

D. RE-USE / DISPOSAL / RECYCLING OF MATERIALS**⚠ WARNING**

Choking Hazard - Keep packing materials out of the reach of children.

Hygiene measures when being re-used:

Prior to the wheelchair being re-used, it must be carefully prepared. All surfaces which come into contact with the user must be treated with a disinfection spray.

To do this, you must use a disinfectant as authorised/recommended in your country, for rapid alcohol-based disinfection for medical products and medical devices, which must be disinfected quickly.

Please be aware of the manufacturer's instructions for the disinfectant you are using.

In general, a complete disinfection cannot be guaranteed on seams. We therefore recommend that you dispose of seat and back slings to avoid micro-bacterial contamination with active agents according to your local infection protection law.

Weekly	Quarterly	6 Monthly	Annually	Maintenance Tasks
○				Tire inspection (excessive wear, cracks)
○				Parking brake holds firm (no slipping)
	○			Visually check for loose hardware
		○		Securement and positioning belts
		○		Axle and axle sleeves (check for debris)
	○			Quick-release axles (Remove clean)
○				Castor tires: (Excessive wear, cracks)
	○			Castors: (level, and move smoothly)
	○			Seating interface: (check for debris)
		○		Frame, Folding Mechanism
		○		Upholstery: (clean and dry)
			○	Service by Authorized Dealer

NOTE: If the product has been made available to you as part of a charity or medical loans scheme, then it may not belong to you. If it is no longer required, then follow the instructions to return it as given by the organisation that made the product available to you.

In the following section, there is a description of the materials used on the product, in view of the disposal or recycling of the product and its packaging.

There may also be special local regulations in force with regard to disposal or recycling, these must be taken into account when disposing of your wheelchair. (This can include the cleaning or decontamination of the product prior to disposal).

- Aluminium:** Stroller frame, seat frame
- Steel:** Fixing points, axles, screws and nuts
- Plastic:** Pushbar, caster forks, wheels, footrests, tyres, release Hook
- Packaging:** Plastic bags made of soft polyethylene, cardboard
- Upholstery:** Polyester fabric, polyurethane foam

Disposal or recycling should be carried out by a disposal company or at a public disposal point. You can also return your wheelchair to your dealer for disposal

E. ORDERING PARTS

Name Plate

The nameplate is located underneath the seat, as well as on a label in the owner's manual. The nameplate indicates the exact model designation and other technical specifications. Please provide the following pieces of information whenever you have to order replacement parts or to file a claim:

- Model of device.
- Serial number of device.
- Part number, description and quantity of parts you need.
- State the reason for the replacement.



	Sunrise Medical (US) LLC 2842 Business Park Ave, Fresno, CA 93727	YYYY-MM-DD
Type: Voyage Stroller	EC REP Sunrise Medical GmbH Kahlbachring 2-4 69254 Malsch-HD / Germany	SN ZV1-#####
34 kg	max 6°	330 mm
		330 mm
		CE UK CA MD

UK	RP	Sunrise Medical Limited Thorns Road, Brierley Hill West Midlands, DY5 2LD UNITED KINGDOM
----	----	---

TYPE:	Product Name/SKU Number
	Seat width
	Seat depth
	Max user weight
	Maximum slope
	UKCA Mark
	CE Mark
	Consult instructions for use
	Date of manufacture
	Serial number
	This symbol means Medical Device
	Manufacturer's address
	Crash tested according to ISO 7176-19:2008
	Importer's address
	European Authorized Representative
	UK Responsible Person
	Swiss Representative's address

XI. WARRANTY

THIS WARRANTY DOES NOT AFFECT YOUR LEGAL RIGHTS IN ANY WAY.

Sunrise Medical*, Kahlbachring 2-4, 69254 Malsch / Heidelberg provides a worldwide warranty for wheelchairs to its customers covering the following

Warranty conditions:

1. Should a part or parts of the Zippie Voyage require repair or replacement as a result of a manufacturing and/or material fault within 24 months after delivery to the customer, then the affected part or parts will be repaired or replaced free of charge.
2. To enforce the warranty, please contact Sunrise Medical Customer Service with the exact details of the nature of the difficulty. Should you be using the Zippie Voyage outside the area covered by the Sunrise Medical customer service agent, repairs or replacement will be carried out by another agency as designated by the manufacturer. The Zippie Voyage must be repaired by a Sunrise Medical designated Customer Service agent, (dealer).
3. For parts, which have been repaired or exchanged within the scope of this warranty, we provide a warranty in accordance with these warranty conditions for the remaining warranty period for the Zippie Voyage in accordance with point 1).
4. For spare parts which have been fitted at the customer's expense, these will have a 12 month warranty, (following the fitting), in accordance with these warranty conditions.
5. Consumable parts such as pads, tyres, inner tubes and similar parts are excluded from the warranty, except in the case that premature wear of the part is the direct result of a manufacturing fault.
6. Claims from this warranty shall not arise, if a repair or replacement of Zippie Voyage or a part is required for the following reasons:
 - a. The product or part has not been maintained or serviced in accordance with the manufacturer's recommendations as shown in the User Instructions and/or the Service Instructions.
 - b. Accessories have been used which are not specified as original accessories.
 - c. The Zippie Voyage or part having been damaged by neglect, accident or improper use.
 - d. Changes/modifications have been made to the Zippie Voyage or parts, which deviate from the manufacturer's specifications.
 - e. Repairs have been carried out, before our Customer Service has been informed of the circumstances.
7. This warranty is subject to the law of the country in which the product was purchased from Sunrise Medical“

* Means the Sunrise Medical facility from which the product was purchased.

SUNRISE HÖRT ZU

Danke, dass Sie ein Produkt aus der Zippie-Reihe gewählt haben. Wir würden gerne Ihre Fragen und Kommentare über dieses Handbuch sowie über die Sicherheit und Zuverlässigkeit Ihres Geräts und über den Service, den Sie von Ihrem Fachhändler erhalten, erfahren. Schreiben Sie uns an die unten stehende Adresse, oder rufen Sie uns unter der unten angegebenen Telefonnummer an:

SUNRISE MEDICAL GMBH
KAHLBACHRING 2-4
69254 MALSCH/HEIDELBERG
DEUTSCHLAND
TEL.: +49 (0) 7253/980-0
FAX: +49 (0) 7253/980-222
KUNDENSERVICE@SUNRISEMEDICAL.DE
WWW.SUNRISEMEDICAL.DE

Teilen Sie uns Ihre Adresse mit. Dann können wir Sie mit Informationen über Sicherheit, neue Produkte und Optionen, die Ihnen mehr Freude mit diesem Rehawagen bereiten, auf dem Laufenden halten.

ANTWORTEN AUF IHRE FRAGEN

Der zuständige Fachhändler kennt Ihr Produkt aus der Zippie-Reihe am besten und kann Ihnen die meisten Fragen über die Sicherheit, den Gebrauch und die Wartung des Geräts beantworten.

Für zukünftige Zwecke füllen Sie bitte Folgendes aus:

Fachhändler: _____

Adresse: _____

Telefon: _____

Seriennummer: _____ Kaufdatum: _____

ZUSÄTZLICHE INFORMATIONEN

Alle Komponenten dieses Stuhls wurden ohne Naturlatex hergestellt.

I. EINFÜHRUNG	35	VIII. EINRICHTEN + BENUTZUNG	47
II. INHALTSVERZEICHNIS	36	A. FAHRGESTELL AUSEINANDER- UND ZUSAMMENFALTEN	47
III. IHR REHAWAGEN UND SEINE EINZELTEILE	37	B. LENKRÄDER	48
IHR REHAWAGEN UND SEINE EINZELTEILE	37	C. ANTRIEBSRÄDER	48
ZIPPIE VOYAGE MIT KOMFORT-SITZEINHEIT	37	D. BEDIENUNG DER FESTSTELLBREMSE	48
IV. ACHTUNG – VOR INBETRIEBNAHME LESEN	38	E. SITZEINHEIT ANBRINGEN	49
A. WAHL DES RICHTIGEN MODELLS UND DER SICHERHEITSOPTIONEN	38	F. SITZEINHEIT ABNEHMEN	49
B. LESEN SIE DIESES HANDBUCH IMMER WIEDER	38	G. SITZNEIGUNGSVERSTELLUNG	50
C. WARNUNGEN	39	H. RÜCKENWINKELVERSTELLUNG	51
V. ALLGEMEINE WARNUNGEN	40	I. KNIEWINKEL VERSTELLEN	51
A. HÖCHSTLAST	40	J. ANKIPPBÜGEL	51
B. LERNEN SIE IHREN STUHL KENNEN	40	K. VERDECK ANBRINGEN UND EINSTELLEN	52
C. UM DIE UNFALLGEFAHR ZU VERRINGERN	40	L. AUSZIEHBARE SCHIEBEGRIFF-VERLÄNGERUNGEN	52
D. SICHERHEITS-CHECKLISTE	40	IX. SERVICE + EINSTELLUNGEN DURCH FACHHÄNDLER	53
E. ÄNDERUNGEN UND EINSTELLUNGEN	40	A. POSITIONIERUNG UND WACHSTUM	53
F. UMGEBUNGSBEDINGUNGEN	41	B. KOMFORT-SITZ EINSTELLEN	53
G. FAHREN AUF DER STRASSE	41	C. HÖHE DES SCHULTERGURTS EINSTELLEN:	54
H. SICHERHEIT IN EINEM KRAFTFAHRZEUG	41	D. FUSSRASTE EINSTELLEN:	55
I. FÜR BETREUER	41	E. ABSTAND VOM BODEN ZUM SITZ VERSTELLEN	55
VI. WARNUNGEN: FALLEN UND KIPPEN	42	F. BECKENPOSITIONIERUNGSGURT EINSTELLEN:	56
A. ZENTRALER SCHWERPUNKT	42	G. BRUST-SCHULTER-GURT	58
B. AN-, AUS- ODER UMKLEIDEN	42	H. SEITLICHE RUMPF- UND KOPFSTÜTZEN	58
C. HINDERNISSE	42	I. SICHERHEITSGURTE	59
D. STRECKEN ODER LEHNEN	42	J. HÜFTPELOTEN:	59
E. RAMPEN, STEIGUNGEN/GEFÄLLE UND HÄNGE	42	K. THERAPIETISCH ANBRINGEN UND EINSTELLEN:	60
F. EIN- UND AUSSTEIGEN	42	L. FUSSRIEMEN EINSTELLEN:	60
G. BORDSTEINE ODER EINZELNE STUFEN BEFAHREN	43	M. RIEMEN DES SCHUHHALTERS EINSTELLEN:	60
H. AUFSTIEG ÜBER EINE TREPPE	43	N. HALTERUNGEN/AUFNAHMEN FÜR BEATMUNGSGERÄTE/BATTERIEN:	61
I. ABSTIEG ÜBER EINE TREPPE	43	O. PLATTFORM FÜR DEN FRONT- ODER HECKANBAU:	61
J. ROLLTREPPEN	43	P. IV-STANGE / O ₂ -FLASCHENHALTER:	61
VII. WARNUNGEN: KOMPONENTEN UND OPTIONEN	44	Q. BECHERHALTER, HAKEN:	61
A. FAHRGESTELL	44	X. WARTUNG	62
B. THERAPIETISCH ZUR UNTERSTÜTZUNG DER OBEREN GLIEDMASSEN	44	A. HINWEISE	62
C. BEFESTIGUNGEN	44	B. REINIGUNG	62
D. FUSSRASTE	44	C. TIPPS ZUR AUFBEWAHRUNG	63
E. REIFEN UND RÄDER	44	D. WIEDERVERWENDUNG / ENTSORGUNG / RECYCLING VON MATERIALIEN	63
F. PARKBREMSE	45	E. TEILE BESTELLEN	64
G. KORB UNTER DEM FAHRGESTELL	45	XI. GARANTIE	65
H. ZUBEHÖRKÖRBE	45	XI. GARANTIE	65
I. VERDECK	45		
J. SITZSYSTEME	45		
K. BECKENPOSITIONIERUNGSGURTE	45		
L. KISSEN	45		
M. SITZNEIGUNGS- UND RÜCKENWINKELVERSTELLUNG	45		
N. TRANSITOPTION UND BENUTZUNG	45		

IHR REHAWAGEN UND SEINE EINZELTEILE



1. Faltbares Untergestell
2. Befestigung für Therapietisch
3. Hinterer Befestigungspunkt für den Transport (optional)
4. Arretierstifte des Faltmechanismus
5. Hinterreifen
6. Rad mit Schnellverschluss
7. Korb unter dem Fahrgestell
8. Vorderer Befestigungspunkt für den Transport (optional)
9. Lenkrad mit Schwenksicherung und Verriegelung
10. Vorderes Lenkrad 7"
11. Verstellbare Fußplatte
12. Verstellhebel für Fußraste
13. Verstellbare Hüftpelotten
14. Haltegriff
15. Verstellbare Seitenpelotten
16. Verstellbare Kopfstütze
17. Komfort-Sitzeinheit
18. Verdeck
19. Winkelverstellung des Schiebegriffs
20. Verdeck

ZIPPIE VOYAGE MIT KOMFORT-SITZEINHEIT

Einstellbereiche:

Sitzneigung	+5° bis - 30°	
Rückenneigung	90° bis 180°	
Höhe des Schiebegriffs	39-1/4" bis 47-3/4"	(820 mm bis 1210 mm)
Sitztiefe	8" - 13"	(200 mm bis 330 mm)
Sitzbreite (an der Hüfte)	9,5" - 12"	(240 mm bis 300 mm)
Rückenhöhe	16,1" - 24"	(410 mm bis 610 mm)

Einstellbereich Unterschenkellänge / Fußraste

Unterschenkellänge/Fuß	6,1" - 12,2"	(155 mm-310 mm)
Verstellbereich des Fußrastenwinkels	50°	

HINWEIS:

- Bei manchen Konfigurationen oder in Kombination mit anderen Funktionen des Rehawagens sind unter Umständen nicht alle Funktionen verfügbar. Bitte wenden Sie sich an Ihren Fachhändler für weitere Informationen. Ihr autorisierter Fachhändler kann Sie auch über Zubehör informieren.
- Die Einzelteile dürfen die auf der gegenüberliegenden Seite angegebenen Höchstgewichte nicht überschreiten.
- Die gesamte Höchstlast darf 77 kg (170 lbs) nicht überschreiten.
- Der Zippie Voyage gilt als mit ISO 7176-8 konform.

Abmessungen und Gewichte

Gesamtbreite	24-1/8"	(615 mm)
Höhe Boden-Sitz	25"-23,5"-22,5"	(640 mm-600 mm-575 mm)
Gesamtlänge	42,5"	(1080 mm)
Gesamthöhe	32" - 48"	(810-1220 mm)
Faltlänge	35-1/8"	(800 mm)
Falthöhe	12,25"	(310 mm)
Faltbreite	23,6"	(625 mm)
Wendekreis	43,3"	(1100 mm)
Max. Steigung/Gefälle für Feststellbremse	9°	9°
Max. Körpergewicht	75 lbs	(34 kg)
Gesamtgewicht	42,5 lbs	(22,5 kg)
Gewicht des Fahrgestells	28 lbs	(12,7 kg)
Gewicht des Sitzes	21,5 lbs	(9,8 kg)

Maximale Tragfähigkeit

Korb unter dem Fahrgestell	50 lbs	(22,5 kg)
Plattform zur Frontmontage	50 lbs	(22,5 kg)
Buggy Board	45 lbs	(20 kg)
Halterung für Sauerstoffflasche	10 lbs	(4,5 kg)
Becherhalter :	1 lb	(0,5 kg)
Korb unter dem Fahrgestell	15 lbs	(7 kg)
Aufnahme (hinten am Wagen) für aufrecht stehendes Beatmungsgerät	15 lbs	(7 kg)

A. WAHL DES RICHTIGEN MODELLS UND DER SICHERHEITSOPTIONEN

Sunrise bietet eine große Auswahl an Rollstuhlmodellen, um den Ansprüchen Ihres Kindes gerecht zu werden. Doch bleiben die Wahl des Gerätetyps, der Optionen und Einstellmöglichkeiten letztlich Ihnen und Ihrem Krankenpflegepersonal und Therapeuten überlassen. Die Auswahl des besten Rehawagens und der Sicherheitseinrichtungen hängt von folgenden Gesichtspunkten ab:

1. Die Behinderung, die Kraft, das Gleichgewicht, die Koordination des Kindes sowie die Grenzen seiner Fähigkeiten.
2. Die Gefahren, die Sie beim täglichen Gebrauch (Wohnung und Arbeitsplatz) und an anderen Orten, an denen Sie den Rehawagen benützen werden, bewältigen müssen.
3. Die Optionen, die das Kind für seine Sicherheit und seinen Komfort benötigt.

BESTIMMUNGSGEMÄSSE VERWENDUNG: Der Zippie Voyage ist für medizinische Zwecke bestimmt und bietet Mobilität durch eine Pflegeperson (nicht zum Selbstfahren) für Personen mit einem Körpergewicht unter 75 lbs (34 kg), und ist auf die sitzende Position beschränkt. Dieses Produkt ist nicht zum Joggen, Schlittschuhfahren oder ähnlichen Aktivitäten geeignet.

LEBENSDAUER: Die vorgesehene Lebensdauer des Produkts beträgt 5 Jahre

Das Managementsystem von SUNRISE MEDICAL ist zertifiziert nach DIN ISO 13485 und ISO 14001.

Wir bei SUNRISE MEDICAL haben das ISO-13485 Zertifikat erhalten, das die Qualität unserer Produkte in jeder Phase, von der Forschung und Entwicklung bis hin zur Produktion, bestätigt. Dieses Produkt ist mit den in den EU- und UK-Verordnung dargelegten Anforderungen konform.

HINWEIS: Allgemeine Empfehlungen für den Benutzer. Wenn diese Anweisungen nicht beachtet werden, kann das zu Körperverletzung, Beschädigung des Produkts oder Umweltschäden führen!

Einen Hinweis an den Anwender und/oder den Patienten, dass alle im Zusammenhang mit dem Produkt aufgetretenen schwerwiegenden Vorfälle dem Hersteller und der zuständigen Behörde des Mitgliedstaats, in dem der Anwender und/oder der Patient niedergelassen ist, zu melden sind.



SUNRISE MEDICAL erklärt als Hersteller, dass die dieses Produkt mit der Medizinprodukteverordnung (2017/745) der EU konform sind.

FMG (Für Mich Gebaut) Sonderbauten

Sunrise Medical empfiehlt dringend, alle Informationen für den Benutzer, die mit Ihrem FMG-Produkt mitgeliefert werden, vor dem erstmaligen Gebrauch sorgfältig durchzulesen und sicherzustellen, dass alles verstanden wurde. Dadurch wird gewährleistet, dass Ihr FMG-Produkt wie vom Hersteller vorgesehen funktioniert. Sunrise Medical empfiehlt die Benutzerinformationen und Dokumente für einen späteren Gebrauch sicher aufzubewahren und nicht zu entsorgen.

Kombinationen von Medizinprodukten

Dieses Medizinprodukt kann unter Umständen mit einem oder mehreren anderen Medizinprodukten bzw. anderen Produkten kombiniert werden. Informationen darüber, welche Kombinationen möglich sind, finden Sie unter www.Sunrisemedical.de. Alle aufgeführten Kombinationen wurden überprüft, um die grundlegenden Sicherheits- und Leistungsanforderungen gemäß Artikel 14.1 der EU-Verordnung 2017/745 über Medizinprodukte zu erfüllen.

Leitlinien zum Kombinieren wie etwa die Montage finden Sie unter www.SunriseMedical.de

Die Vielfalt an Ausstattungsvarianten ermöglichen die Verwendung bei Gehunfähigkeit/Gehbehinderung durch:

- Lähmung
- Gliedmaßenverlust (Beinamputation)
- Gliedmaßendefekt/Deformation
- Gelenkkontrakturen/-schäden
- Krankheiten wie Herz- und Kreislaufinsuffizienz, Gleichgewichtsstörungen, Muskel-Skelett-Erkrankungen/neuromuskuläre Erkrankungen

Der Reha-Kinderwagen darf nicht ohne Eltern/Pflegeperson benutzt werden.

HINWEIS:

Bitte beachten Sie, dass zum Fahren eines Rollstuhls ausreichende kognitive, körperliche und visuelle Fertigkeiten erforderlich sind. Der Benutzer muss in der Lage sein, die Auswirkungen von Handlungen während des Betriebs des Rollstuhls zu beurteilen und sie bei Bedarf zu korrigieren. Diese Fähigkeiten und der sichere Gebrauch von zusätzlich angebauten Komponenten können von Sunrise Medical als dem Hersteller nicht beurteilt werden. Für daraus entstehende Schäden haften wir nicht.

Bitte beachten Sie die Bedienungsanleitung des Rollstuhls und der zusätzlich angebauten Komponenten. Unterweisen Sie den Benutzer im sicheren Gebrauch des Rollstuhls und der zusätzlich angebauten Komponenten. Informieren Sie die Benutzer über spezifische Warnungen, die gelesen, verstanden und respektiert werden müssen.

B. LESEN SIE DIESES HANDBUCH IMMER WIEDER

Bevor Sie das Gerät in Betrieb nehmen, sollten Sie und jede Person die Ihnen hilft, das gesamte Handbuch lesen und alle Anweisungen befolgen. Lesen Sie die Warnungen immer wieder, bis diese zur selbstverständlichen Gewohnheit für Sie geworden sind.

C. WARNUNGEN

Das Wort „WARNUNG“ bezieht sich auf Gefahren und riskante Handlungen, die für Sie oder andere Personen zu ernstern Verletzungen führen oder tödlich ausgehen könnten. Die „Warnungen“ sind in folgende drei Hauptbereiche unterteilt:

1. V — ALLGEMEINE WARNHINWEISE

Hier finden Sie eine Sicherheits-Checkliste und eine Zusammenfassung von Risiken, über die Sie sich im Klaren sein müssen, bevor Sie mit dem Gerät fahren.

2. VI — WARNUNGEN — STÜRZE + UMKIPPEN

Hier erfahren Sie, wie man beim täglichen Gebrauch des Rehawagens Stürze und Umkippen vermeidet.





3. VII — WARNUNGEN — FÜR DEN SICHEREN GEBRAUCH

Hier lernen Sie die Verfahren für den sicheren Gebrauch des Rehawagens kennen.

4. VII. – WARNUNGEN – KOMPONENTEN UND OPTIONEN

Hier erfahren Sie alles über die Komponenten des Geräts und die Sicherheitsoptionen, die Sie wählen können. Lassen Sie sich von Ihrem Fachhändler, Krankenpflegepersonal und Therapeuten über die beste Einstellung und Optionen für Ihre Sicherheit beraten.

HINWEIS: An den Stellen, an denen sie anwendbar sind, finden Sie auch andere Sicherheitshinweise in verschiedenen Abschnitten dieses Handbuchs. Eine Liste dieser Hinweise und ihre Bedeutung befinden sich in der Tabelle unten. Beachten Sie alle diese Sicherheitshinweise. Andernfalls könnten Sie fallen, kippen oder die Kontrolle verlieren, und der Benutzer und/oder andere Personen könnten schwer verletzt werden.

Wort	Definition
 GEFAHR!	Anweisung an den Benutzer, dass ein potentielles Verletzungsrisiko besteht, wenn der Anweisung nicht entsprochen wird
 WARNUNG!	Anweisung an den Benutzer, dass ein Verletzungsrisiko besteht, wenn der Anweisung nicht entsprochen wird.
 VORSICHT!	Anweisung an den Benutzer, dass ein möglicher Sachschaden am Rollstuhl auftreten kann, wenn der Anweisung nicht entsprochen wird
HINWEIS:	Allgemeine Empfehlung oder Optimales Verfahren
	Bezugnahme auf weitere Dokumente

A. HÖCHSTLAST**⚠️ WARNUNG**

1. Das maximale Körpergewicht von 34 kg (75 lbs) für den Benutzer NIE überschreiten. Das Überschreiten der Höchstlast kann zu Schäden am Stuhl, zu Stürzen oder Umkippen, Verlust der Kontrolle und zu schweren Verletzungen des Benutzers und/oder anderer Personen führen.
2. Hängen Sie an den Schiebegriff oder Griff an der Rückseite des Sitzes keine Gegenstände, die mehr als 5 lbs (2,3 kg) wiegen. Sie könnten stürzen, kippen oder die Kontrolle verlieren.

B. LERNEN SIE IHREN STUHL KENNEN**⚠️ WARNUNG**

Vor dem Gebrauch dieses Produkts die gesamte Anleitung lesen. Vor der Inbetriebnahme sollten Sie von Ihrem Therapeuten im sicheren Gebrauch unterwiesen werden.

C. UM DIE UNFALLGEFAHR ZU VERRINGERN**⚠️ WARNUNG**

1. VOR der Inbetriebnahme des Geräts sollten Sie von Ihrem Therapeuten im sicheren Gebrauch unterwiesen werden.
2. Üben Sie Transfers, bis Sie Ihre Grenzen und die Fähigkeiten Ihres Kindes kennen. Fragen Sie immer, wenn Sie Hilfe benötigen, um einen Sturz oder das Umkippen zu vermeiden.
3. Bedenken Sie, dass Sie Ihre eigenen Methoden entwickeln müssen, die sich, je nach Ihren Fähigkeiten und den verlangten Funktionen, am besten für den sicheren Gebrauch dieses Stuhls eignen.
4. Führen Sie NIE selbst ein Manöver aus, bevor Sie genau wissen, ob es sicher ist.
5. Machen Sie sich mit der Umgebung vertraut, in der Sie planen, den Rehawagen zu benutzen, sehen Sie sich nach Gefahren um und lernen Sie, diese zu vermeiden.

D. SICHERHEITS-CHECKLISTE**⚠️ WARNUNG**

Vor jedem Gebrauch des Rehawagens.

1. Die Feststellbremse muss eingestellt werden, damit sie ordnungsgemäß funktioniert. Vor dem Transfer des betreuten Kindes immer die Feststellbremse betätigen.
2. Vergewissern Sie sich, dass der Rehawagen reibungslos rollt, und dass alle Teile einwandfrei funktionieren. Überprüfen Sie ihn auf Geräusche, Vibrationen oder eine Änderung des Fahrverhaltens (das kann auf lose Befestigungsteile oder andere Schäden hindeuten).
3. Alle auftretenden Probleme sind zu reparieren. Ihr von Sunrise Medical zugelassener Fachhändler kann Ihnen helfen, den Fehler zu finden und zu beheben.
4. Vergewissern Sie sich, dass die Reifen/Achsen an beiden Seiten ganz eingerastet und arretiert sind. Wenn sie nicht arretiert sind, kann sich das Rad von der Achse lösen und einen Sturz verursachen.
5. Setzen Sie Ihr Kind nur in den Rehawagen, wenn dieser ganz auseinandergeklappt und arretiert ist.
6. Überprüfen Sie nach dem Verstellen der Griffhöhe, dass der Griff in der neuen Länge arretiert ist.
7. Legen Sie immer einen Beckenpositionierungsgurt an, wenn das Kind im Wagen sitzt.
8. Lassen Sie Ihr Kind nie unbeaufsichtigt.
9. ERSTICKUNGSGEFAHR – Diese Mobilitätshilfe enthält Kleinteile, die unter Umständen eine Erstickungsgefahr für kleine Kinder darstellen können.

E. ÄNDERUNGEN UND EINSTELLUNGEN**⚠️ WARNUNG**

1. Wenden Sie sich an Ihren Therapeuten und lassen Sie die Sitzkomponenten und das Zubehör gemäß dem Wachstum Ihres Kindes einstellen.
2. Änderungen oder die Verwendung von Teilen, die nicht von Sunrise Medical genehmigt sind, können die Bauweise des Produkts verändern. Dadurch wird die Garantie ungültig und es kann ein Sicherheitsrisiko entstehen.

F. UMGEBUNGSBEDINGUNGEN**⚠️ WARNUNG**

1. Ihr Rehawagen ist für den Gebrauch auf festem, ebenem Untergrund wie Beton, Asphalt, Bodenbelägen und Teppichböden im Innenbereich ausgelegt.
2. Seien Sie besonders vorsichtig, wenn Sie nasse oder rutschige Oberflächen mit Ihrem Rehawagen befahren müssen. Im Zweifelsfall lassen Sie sich helfen.
3. Fahren Sie mit dem Rehawagen nicht auf Sand, loser Erde oder über unebenes Gelände.
4. Wenn der Rehawagen längere Zeit direkter Sonneneinstrahlung ausgesetzt war, können Teile des Wagens (z.B. Rahmen, Fußrasten, Feststellbremsen) heiß (>41°C) werden.
5. Vorsicht beim Umgang mit Feuer, insbesondere brennenden Zigaretten. Von Zündquellen fernhalten. Sitz- und Rückenbespannung könnten sich entzünden.

G. FAHREN AUF DER STRASSE**⚠️ WARNUNG**

1. Bei der Benutzung des Rehawagens das Fahren auf der Straße soweit wie möglich vermeiden.
2. Dieses Produkt sollte auf Fußwegen bleiben und es sind alle gesetzlichen Vorschriften zu beachten, die für Fußgänger gelten.
3. Achten Sie auf die Gefahren, die von Kraftfahrzeugen auf Parkplätzen ausgehen.
4. Verwenden Sie nachts oder bei schlechten Sichtverhältnissen Reflektorstreifen am Rehawagen oder an der Kleidung.
5. Wenn Sie eine Straße überqueren müssen, stellen Sie den Augenkontakt mit den Autofahrern her, bevor Sie losgehen. Im Zweifelsfall lassen Sie ihnen die Vorfahrt, bis Sie sicher sind, dass der Weg frei ist.
6. Auf der Basis von ANSI/RESNA-Tests empfiehlt Sunrise Medical, Lenkräder mit einem Durchmesser von mindestens 5" (127 mm) zu verwenden, wenn der Rollstuhl regelmäßig Hindernisse mit einer Höhe von bis zu 1/2" (12,7 mm) überwinden muss.
7. Ihr Reha-Kinderwagen ist für den Gebrauch auf festem, ebenem Untergrund, wie Beton, Asphalt oder Bodenbeläge und Teppichböden im Haus ausgelegt.
8. Benutzen Sie den Reha-Kinderwagen nicht in Sand, loser Erde oder auf steinigem Gelände.
9. Wenn Sie den Reha-Kinderwagen in Bedingungen verwenden, die härter sind als die oben beschriebenen, besteht die Gefahr, dass sich die Schrauben vorzeitig lockern und der Benutzer durch Schäden an Rädern oder Achsen durch Stürzen, Kippen oder Verlust der Kontrolle gefährdet werden könnte.

Die Missachtung dieser Warnungen kann zu Schäden am Stuhl, zum Fallen, Kippen oder Verlust der Kontrolle und zu schweren Verletzungen des Benutzers und anderer Personen führen.

H. SICHERHEIT IN EINEM KRAFTFAHRZEUG**⚠️ WARNUNG**

Wie auf der ersten Seite in diesem Handbuch angegeben, prüfen Sie bitte, ob auf Ihrem Stuhl eine Transit-Option installiert ist. Wenn Ihr Stuhl NICHT mit einer Transit-Option ausgestattet ist:

1. Verwenden Sie den Rehawagen NIE als Kindersitz in einem Auto.
2. Setzen Sie den Benutzer IMMER in einen zugelassenen Sitz im Fahrzeug.
3. Auf einem Autositz muss der Rollstuhlfahrer IMMER den zugelassenen Sicherheitsgurt des Kraftfahrzeugs anlegen.
4. Bei einem Unfall oder beim plötzlichen Anhalten kann der Benutzer sonst aus dem Rehawagen geschleudert werden. Beckengurte, die zur Positionierung im Rehawagen verwendet werden, werden dies nicht verhindern und diese Gurte können zusätzliche Verletzungen verursachen.
5. Transportieren Sie den Rehawagen NIE auf dem Vordersitz von Fahrzeugen. Dadurch könnten schwere Verletzungen oder der Tod des betreuten Benutzers und des Fahrers verursacht werden.
6. Befestigen Sie den leeren Rehawagen IMMER so, dass er beim Transport in einem Fahrzeug nicht rollen oder verrutschen kann.
7. Benutzen Sie das Produkt nicht mehr, wenn es in einen Autounfall verwickelt war. Wenn Ihr Rehawagen mit einer Transitoption ausgestattet ist, siehe Abschnitt VII. „Transit-Option und Benutzung“.

I. FÜR BETREUER**⚠️ WARNUNG**

1. Arbeiten Sie mit dem Therapeuten Ihres Kindes zusammen, um sichere Methoden zu erarbeiten, die Ihren Fähigkeiten und denen des Kindes am besten entsprechen.
2. Um Schäden an Ihrem Rücken zu vermeiden, nehmen Sie beim Heben oder Neigen Ihres Kindes eine gute Körperhaltung ein und führen Sie die richtigen Bewegungen aus.
3. Erinnern Sie das Kind daran, sich zurückzulehnen, wenn Sie den Rehawagen nach hinten kippen.
4. Lassen Sie den Rehawagen beim Herunterfahren von Bordsteinen oder einzelnen Stufen mit einer einzigen sanften Bewegung langsam hinabrollen.
5. Lassen Sie das Kind NIEMALS unbeaufsichtigt.
6. Wenn Sie am Rehawagen Einstellungen vornehmen, immer zuerst die Feststellbremse betätigen und die Lenkräder arretieren, um unbeabsichtigtes Wegrollen soweit wie möglich zu vermeiden.
7. Achten Sie darauf, dass die Begleitpersonen den Rollstuhl nur an fest montierten Bauteilen anfassen (z.B. nicht an der Fußraste).
8. Heben Sie nie den Stuhl an, wenn das Kind darin sitzt.

A. ZENTRALER SCHWERPUNKT**⚠️ WARNUNG**

Rehawagen sind für Stabilität und hohe Leistung ausgelegt. Der Punkt, an dem dieser Rehawagen nach vorne, nach hinten oder zur Seite kippt, hängt vom Schwerpunkt und von der Stabilität ab. Der Schwerpunkt wird ebenfalls beeinflusst durch:

- der Sitzhöhe und des Sitzneigungswinkels.
- des Neigungswinkels der Rückenlehne.
- Eine Änderung der Körperhaltung, Sitzhaltung oder Gewichtsverteilung Ihres Kindes.
- Schieben des Rehawagens auf einer Rampe oder an einer Steigung bzw. einem Gefälle.
- Das Mitführen eines Rucksacks oder anderer Optionen und dem Gewicht der Zuladung.
- Die Verwendung von Beatmungsgeräten, Batterien, Sauerstoff und anderen Optionen sowie das zusätzliche Gewicht dieser Optionen.

So behält man den richtigen Schwerpunkt und ein gutes Gleichgewicht bei:

- Lassen Sie sich von Ihrem Gesundheitsberater und/oder Lieferanten zum richtigen Einrichten des Rehawagens beraten.
- Erkundigen Sie sich bei Ihrem autorisierten Fachhändler oder Gesundheitsberater, BEVOR Sie den Rehawagen modifizieren oder verstellen.

B. AN-, AUS- ODER UMKLEIDEN**⚠️ WARNUNG**

Das Gewicht Ihres Kindes kann sich verlagern, wenn Sie Ihr Kind an-, aus-, oder umziehen, während es im Rehawagen sitzt.

So reduziert man die Gefahr von Stürzen oder Umkippen beim Umziehen oder Wickeln:

- Drehen Sie die vorderen Lenkräder so, dass sie nach vorne zeigen.
- Betätigen Sie die Feststellbremse.

C. HINDERNISSE**⚠️ WARNUNG**

Hindernisse und Gefahrenstellen (wie Schlaglöcher und beschädigte Bürgersteige) können den Stuhl beschädigen und Stürze, Umkippen oder den Verlust der Kontrolle verursachen.

Um diese Gefahren zu vermeiden:

- Wenn Sie mit Ihrem Rehawagen unterwegs sind, praktizieren Sie immer vorausschauendes Fahren.
- Vergewissern Sie sich, dass der Boden vor Ihnen eben ist und keine Hindernisse aufweist.
- Montieren Sie an Ein- und Ausgangstüren eine Rampe. Achten Sie darauf, dass das Rampenende nicht absackt.

D. STRECKEN ODER LEHNEN**⚠️ WARNUNG**

Wenn sich Ihr Kind in eine Richtung ausstreckt oder lehnt, wirkt sich das auf den Schwerpunkt des Rehawagens aus. Es kann zum Sturz oder Umkippen führen.

- Gestatten Sie es Ihrem Kind NIE, sich auszustrecken oder zu lehnen, wenn es dazu aufstehen muss.
- Wenn sich Ihr Kind nach etwas ausstrecken muss, bringen Sie den Rehawagen so nah wie möglich an das Objekt heran und drehen Sie die vorderen Lenkräder so, dass sie sich so weit vorne wie möglich befinden.

HINWEIS: Das erledigen Sie wie folgt: Fahren Sie mit dem Rehawagen an dem Objekt vorbei, nach dem sich Ihr Kind ausstrecken will und bringen Sie ihn dann rückwärts neben das Objekt.

E. RAMPEN, STEIGUNGEN/GEFÄLLE UND HÄNGE**⚠️ WARNUNG**

Wenn der Rehawagen an einer Steigung bzw. einem Gefälle sowie auf Rampen oder an Hängen geschoben wird, ändert sich dabei der Schwerpunkt. Die folgenden Sicherheitshinweise sind dabei zu beachten:

1. Schieben Sie dieses Produkt nicht an Steigungen mit einem Gefälle von mehr als 10 %. (Ein Gefälle von 10% bedeutet: Ein Meter Höhe pro 10 Meter Länge des Abhangs).
2. Wenden Sie an Steigungen/Gefällen oder auf einer Rampe nicht bzw. ändern Sie die Richtung nicht.
3. Um die Sicherheit Ihres Kindes zu gewährleisten, müssen Rampen zu Hause und am Arbeitsplatz allen vor Ort geltenden gesetzlichen Vorschriften entsprechen.
4. Halten Sie den Stuhl immer auf der MITTE einer Rampe.
5. Verwenden Sie eine Rampe mit Schutzgeländer (oder mit einem mindestens 76 mm (3“) hohen Rand).
6. Befahren Sie Bordsteine und Stufen immer in einer geraden Linie.
7. Halten Sie auf einer steilen Steigung nicht an.
8. Achten Sie darauf, dass eine Steigung oder Rampe am Ende steil abfallen kann.
9. Zum Abbremsen oder Anhalten Ihres Rehawagens nicht die Feststellbremse betätigen.
10. Achten Sie auf rutschige Oberflächen, vor allem an Steigungen/Gefällen.
11. Beim Bergauffahren nicht den Rückenwinkel oder die Sitzneigung verstellen.
12. Lassen Sie sich immer helfen, wenn die Stabilität nicht gewährleistet ist.

F. EIN- UND AUSSTEIGEN**⚠️ WARNUNG**

1. Arbeiten Sie mit ihrem Therapeuten zusammen, um das sichere Vorgehen für den Transfer und das Heben zu erlernen.
2. Lassen Sie sich helfen, bis Sie sicher sind, dass Sie den Transfer des Kindes gefahrlos alleine durchführen können.
3. Fahren Sie den Rehawagen Ihres Kindes so nah wie möglich an den Sitz heran, in den der Transfer stattfinden soll.
4. Drehen Sie die vorderen Lenkräder so, dass sie nach vorne zeigen.
5. Betätigen Sie vor dem Transfer die Feststellbremse. Dadurch wird der Wagen während des Transfers gesichert.
6. Achten Sie beim Transfer des Kindes in den Rehawagen darauf, dass es auf dem Sitz so weit nach hinten wie möglich gesetzt wird. Dadurch wird die Gefahr verringert, dass der Rehawagen umkippt und/oder wegrutscht.

G. BORDSTEINE ODER EINZELNE STUFEN BEFAHREN**! WARNUNG**

Beachten Sie beim Befahren von Stufen oder Bordsteinen die nachfolgende Anleitung. Befahren Sie keine hohen Bordsteine oder Stufen, die über 4" (100 mm) hoch sind, wenn der Zubehörkorb oder die hintere Plattform angebaut ist. Dadurch besteht Verletzungsgefahr für den Betreuer, der Rehawagen könnte aus dem Gleichgewicht geraten und umkippen und dadurch beschädigt werden.

So fahren Sie RÜCKWÄRTS von Bordsteinen oder einzelnen Stufen herunter:

1. Bleiben Sie hinter dem Rehawagen.
2. Etwa einen Meter, bevor Sie die Kante des Bordsteins oder der Stufe erreichen, wenden Sie mit dem Rehawagen und ziehen ihn rückwärts.
3. Schauen Sie über Ihre Schulter und schreiten Sie vorsichtig rückwärts, bis Sie vom Bordstein oder von der Stufe heruntergestiegen sind und auf der unteren Ebene stehen.
4. Ziehen Sie den Rehawagen zu sich hin, bis die Hinterräder die Kante des Bordsteins oder der Stufe erreichen. Lassen Sie dann die Hinterräder langsam auf die untere Ebene rollen.
5. Wenn die Hinterräder sicher auf der unteren Ebene aufgesetzt sind, kippen Sie den Rehawagen, bis er wieder im Gleichgewicht ist. Dadurch heben sich die Vorderräder vom Bordstein oder von der Stufe.
6. Halten Sie den Rehawagen im Gleichgewicht und gehen Sie mit kleinen Schritten rückwärts. Drehen Sie den Rehawagen um und setzen Sie die vorderen Lenkräder vorsichtig auf dem Boden auf.

So fahren Sie VORWÄRTS auf Bordsteine oder einzelne Stufen hinauf:

1. Bleiben Sie hinter dem Rehawagen.
2. Stellen Sie sich vor den Bordstein, kippen Sie den Rehawagen so auf den Hinterrädern nach oben, dass sich die Vorderräder über dem Bordstein oder der Stufe befinden.
3. Schreiten Sie vorwärts und setzen Sie die Vorderräder auf die höhere Ebene auf, sobald diese über die Kante gekommen sind.
4. Schieben Sie den Stuhl weiter vorwärts, bis die Hinterräder mit dem Bordstein oder der Stufe in Kontakt kommen. Heben Sie die Hinterräder an und rollen Sie den Stuhl auf die höhere Ebene.

H. AUFSTIEG ÜBER EINE TREPPE**! WARNUNG**

1. Fahren Sie keine Stufen hinauf, wenn am Rehawagen ein Korb für Zubehör angebracht ist.
2. Wenn der Rehawagen eine Treppe hinauf transportiert werden soll, verwenden Sie dafür mindestens zwei Begleitpersonen.
3. Der Benutzer und der Rehawagen sollten immer RÜCKWÄRTS gerichtet sein, wenn er eine Treppe hinauf transportiert wird.
4. Beim Tragen den Rehawagen IMMER am RAHMEN festhalten, nicht an der Fußraste, den Rädern, Teilen von Therapietischen und anderen Teilen tragen, die vom Rehawagen abgenommen werden können.
5. Die Person hinter dem Rehawagen hat die Kontrolle. Sie kippt den Rehawagen nach hinten, bis er sich wieder im Gleichgewicht befindet.
6. Die zweite Begleitperson befindet sich vorne und hält den Rehawagen an einem nicht abnehmbaren Teil des Vorderrahmens fest und hebt den Rehawagen auf und über die Stufe.
7. Die Begleitpersonen sollten immer eine Stufe auf einmal nehmen, bis sie oben an der Treppe angekommen sind.

I. ABSTIEG ÜBER EINE TREPPE**! WARNUNG**

1. Fahren Sie keine Treppen hinunter, wenn an Ihrem Rehawagen ein Korb für Zubehör angebracht ist.
2. Verwenden Sie mindestens zwei Begleitpersonen, um den Rehawagen mit Kind eine Treppe hinunter zu transportieren.
3. Transportieren Sie den Rehawagen immer VORWÄRTS die Treppe hinunter (Benutzer und Wagen nach vorne gerichtet).
4. Beim Tragen den Rehawagen IMMER am RAHMEN festhalten, nicht an Fußrasten, Rädern, Tischen und Körben und anderen Teilen tragen, die vom Rehawagen abgenommen werden können.
5. Die Person hinter dem Stuhl hat die Kontrolle. Den Rehawagen dann wieder neigen, bis sich die Hinterräder wieder im Gleichgewicht befinden und bis zum Rand der obersten Stufe rollen.
6. Eine zweite Person steht auf der dritten Stufe von oben und hält den Wagen am Rahmen fest. Die Begleitperson lässt das Gerät Stufe für Stufe herab, dazu die Hinterräder über die Stufenkante rollen lassen.
7. Die Begleitpersonen sollten immer eine Stufe auf einmal nehmen, bis sie unten an der Treppe angekommen sind.

J. ROLLTREPPEN**! WARNUNG**

Benutzen Sie den Rehawagen NIEMALS auf Rolltreppen, auch nicht, wenn ein Helfer dabei ist.

! WARNUNG

Dieser Rehawagen wurde mit Zubehör von Sunrise geprüft und zugelassen. Bei Verwendung von Zubehör, das nicht ausdrücklich von Sunrise Medical genehmigt wurde, wird Ihre Garantie ungültig und es kann ein Sicherheitsrisiko für die Begleitperson und das Kind darstellen.

A. FAHRGESTELL**⚠️ WARNUNG**

Überprüfen Sie die Kabel und die Betätigungsknöpfe vor jedem Gebrauch, um sicherzustellen, dass sie sich in einem guten Zustand befinden. Vergewissern Sie sich, dass das Fahrgestell arretiert ist, bevor Sie Ihr Kind in den Rehawagen setzen.

B. THERAPIETISCH ZUR UNTERSTÜTZUNG DER OBEREN GLIEDMASSEN**⚠️ WARNUNG**

Bevor Sie einen Therapietisch am Rehawagen anbringen bzw. von diesem abnehmen, vergewissern Sie sich, dass die vorderen Lenkräder nach vorne zeigen und betätigen Sie die Feststellbremse. Dadurch wird verhindert, dass die Räder beim Befestigen des Tisches ins Rollen kommen. Die Tragfähigkeit des Therapietisches beträgt 23 kg, (50 lbs).

1. Heben Sie das Produkt nicht an den Stützarmen des Therapietisches an.
2. Vergewissern Sie sich **IMMER**, dass der Tisch nach dem Anbringen am Rehawagen ganz arretiert ist.

C. BEFESTIGUNGEN**⚠️ WARNUNG**

Bei vielen der Schrauben und Muttern an diesem Produkt handelt es sich um spezielle, hochfeste Befestigungsteile. Sie müssen regelmäßig überprüft und gewartet werden, um die Sicherheit des Benutzers und der Begleitperson zu gewährleisten.

1. Die meisten Einstellungen, bei denen Metallteile abgenommen werden müssen, sollten von Ihrem Fachhändler durchgeführt werden.
2. Verwenden Sie nur vom zugelassenen Fachhändler gelieferten Befestigungsteile (oder solche desselben Typs, wie auf den Köpfen angegeben).
3. Befestigungsteile nicht zu fest oder zu lose anziehen. Wenn Schrauben oder Muttern lose werden, ziehen Sie sie so bald wie möglich fest.

D. FUSSRASTE**⚠️ WARNUNG**

1. In manchen Positionen kann das Verstellen der Fußraste durch den vorderen unteren Rahmen behindert werden. Diese Einschränkung kann den Komfort und die korrekte Abstützung des sitzenden Kindes beeinträchtigen.
2. Belasten Sie die Fußraste nicht mit zusätzlichem Gewicht. Der Rehawagen könnte sonst nach vorne kippen (oder nach hinten, wenn das Sitzsystem umgekehrt wurde).
3. Den Rehawagen nie an den Fußrasten anheben.
4. Stellen Sie sich beim Ein- und Aussteigen nicht auf die Fußbretter. Wenn man sich auf die Fußbretter stellt, besteht die Gefahr, dass der Rollstuhl nach vorne kippt.
5. Stellen Sie beim Einsteigen in den oder Aussteigen aus dem Rollstuhl Ihre Füße immer fest auf den Boden.

E. REIFEN UND RÄDER**⚠️ WARNUNG**

1. Es wird empfohlen, die Reifen einmal im Jahr auf übermäßige Abnutzung zu überprüfen, um eine gute Bodenhaftung in allen Umgebungen zu gewährleisten.
2. Beim Einbau des kompletten Vorder- oder Hinterrades mit Reifen die Räder in die Öffnung an der Achse hineinstecken, bis der Knopf an der Steckachse herauspringt und ein Klickgeräusch hörbar ist. Ihr Rad ist jetzt ganz eingesetzt und arretiert.
3. Wenden Sie sich bei einem Reifenschaden an Ihren Sanitätsfachhändler für einen Ersatz.

F. PARKBREMSE**⚠️ WARNUNG**

Zum Abbremsen oder Anhalten Ihres Rehawagens nie die Feststellbremse betätigen. Damit die Hinterräder nicht ins Rollen kommen, betätigen Sie beim Transfer Ihres Kindes oder des Sitzsystems immer die Feststellbremse.

G. KORB UNTER DEM FAHRGESTELL**⚠️ WARNUNG**

Der Einkaufskorb für diesen Rehawagen ist für die Aufnahme eines zusätzlichen Gewichts von 15 lbs (7 kg) ausgelegt. Die Überschreitung dieses Gewichts kann zu Instabilität oder Gefährdungen führen.

H. ZUBEHÖRKÖRBE**⚠️ WARNUNG**

Die Zubehörkörbe sollten nicht für zu schwere Gegenstände oder eine Ausstattung verwendet werden, die nicht durch Sunrise Medical genehmigt wurde. Das kann zur Instabilität oder Gefährdung des Benutzers oder der Begleitperson führen.

I. VERDECK**⚠️ WARNUNG**

Wenn das Verdeck benutzt wird, vergewissern Sie sich, dass es gut gesichert ist. Überprüfen Sie dazu die Klemmen, mit denen es am Fahrgestell befestigt ist.

J. SITZSYSTEME**⚠️ WARNUNG**

Nehmen Sie KEINE Änderungen am Sitzsystem oder an Einzelteilen Ihres Rehawagens vor, außer dies wurde vorher mit Ihrem Therapeuten vereinbart.

K. BECKENPOSITIONIERUNGSGURTE**⚠️ WARNUNG**

Verwenden Sie Positionierungsgurte NUR, um die Haltung Ihres Kindes zu unterstützen.

1. Vergewissern Sie sich, dass das Kind im Sitz des Rehawagens nicht nach unten rutscht. Der Gurt muss anliegen, darf aber nicht so eng sein, dass er die Atmung beeinträchtigt. Sie sollten die flache Hand zwischen den Gurt und den Bauch des Benutzers schieben können.
2. Verwenden Sie Haltegurte nur, wenn das Kind damit einverstanden ist. Vergewissern Sie sich, dass Sie die Gurte im Notfall abnehmen können.
3. Benutzen Sie die Positionierungsgurte NIE:
 - Als Rückhaltesystem.
 - Bei Kindern, die sich im Koma befinden, verstört sind oder zu Anfällen neigen.
 - Als Rückhaltesystem in einem Kraftfahrzeug – außer den Gurten, die zur Transitoption gehören und zum Anschnallen des Benutzers im Fahrzeug verwendet werden.

L. KISSEN**⚠️ WARNUNG**

Der Sitz dieses Rehawagens wurde für Komfort und zur Unterstützung der Haltung entwickelt. Wenn Änderungen an Teilen des Sitzsystems erforderlich sind, wenden Sie sich an Ihren Therapeuten.

M. SITZNEIGUNGS- UND RÜCKENWINKELVERSTELLUNG**⚠️ WARNUNG**

Das Verstellen der Sitzneigung oder des Rückenwinkels, bevor die erforderlichen Vorkehrungen getroffen wurden, kann sich auf das Gleichgewicht und die Stabilität Ihres Rehawagens auswirken. BEVOR Sie diese Einstellungen vornehmen, müssen Sie Folgendes beachten:

1. Das Kind muss im Wagen gesichert sein.
2. Sie müssen die vorderen Lenkräder nach vorne drehen und die Feststellbremse betätigen.
3. Vergewissern Sie sich IMMER, dass der Rehawagen gerade steht und stabil ist, bevor und nachdem Sie die Sitzneigung und/oder den Rückenwinkel verstellen.
4. Beim Auslösen der Sitzneigungsverstellung IMMER die Sitzeinheit abstützen.

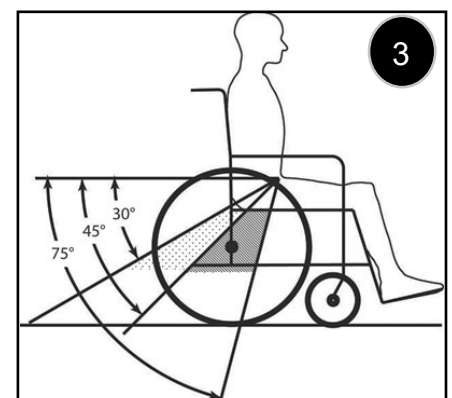
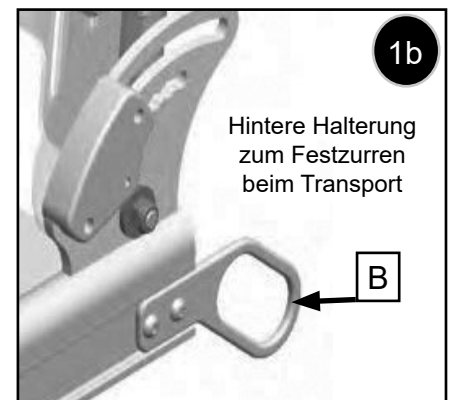
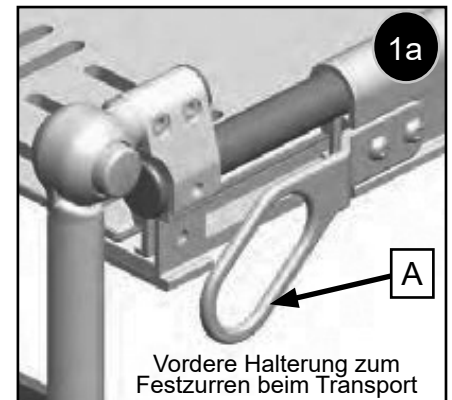
N. TRANSITOPTION UND BENUTZUNG Fig. 1.0 - Fig. 3.0

HINWEIS: Der Zippie Voyage wurde einer Prüfung für den Transport in Fahrzeugen unterzogen und gilt als mit ISO 7176-19 konform für Kinder mit einem Körpergewicht von mindestens 22 kg und maximal 34 kg. Beim Transport muss der Benutzer im Fahrzeug gesichert und mit einem 3-Punkt-Sicherheitsgurt verankert werden, der mit Transportgurten an den vorderen und hinteren Transportschlaufen (A) gesichert ist.

⚠️ WARNUNG**KÖRPERGEWICHT DES BENUTZERS UNTER 22 kg (48 lb 8.0 oz)**

Wenn ein Kind mit einem Körpergewicht von unter 22 kg befördert wird und weniger als acht (8) Insassen im Fahrzeug sitzen, wird empfohlen, ein Rückhaltesystem für Kinder (CRS) gemäß UNCE Regulation 44 zu verwenden. Diese Art von Rückhaltesystem bietet einen wirksameren Schutz als der normale Dreipunkt-Sicherheitsgurt in Fahrzeugen und manche Rückhaltesysteme für Kinder verfügen auch über zusätzliche Haltevorrichtungen, die dazu beitragen, die Sitzhaltung des Kindes aufrecht zu erhalten. Eltern oder Therapeuten können unter bestimmten Umständen auch erwägen, dass ihr Kind während der Fahrt im Rollstuhl sitzen bleibt, da der Rollstuhl für eine bessere Haltungskontrolle sorgt und mehr Komfort bietet. In diesem Fall empfehlen wir, dass von Ihrer Begleitperson und sachkundigen Personen eine Risikoanalyse durchgeführt wird.

1. Der Benutzer muss beim Transport in Fahrtrichtung sitzen.
2. Es müssen Rückhaltesysteme (WTORS) für Rollstühle verwendet werden.
3. Ein Rückhaltesystem für Rollstühle, das nach ISO 10542 geprüft wurde, muss beim Transport ebenfalls verwendet werden.
4. Der Benutzer muss mit einem im Fahrzeug verankerten 3-Punkt-Sicherheitsgurt angeschnallt werden.
5. Bei allen Transporten in Fahrzeugen müssen Sie den mit dem Rehawagen mitgelieferten Transportgurt (C) verwenden. Damit wird die Sitzeinheit am hinteren Rahmen befestigt. Um die Sicherheit des Benutzers zu gewährleisten, muss der Gurt unbedingt wie in (Fig. 2) gezeigt durch die 2 „D“-Clips (D) geführt werden.
6. Am Rehawagen befestigtes Zubehör wie Therapietische, Beatmungsgeräte und Batterien müssen abgenommen und separat gesichert werden. Die optionale Voyage Halterung für ein Beatmungsgerät, der Sauerstoffflaschenhalter und die IV-Stange müssen ebenfalls abgenommen und separat gesichert werden, bevor der Wagen als Sitz in einem Kraftfahrzeug verwendet wird.
7. Der Benutzer darf nicht mehr als 75 lbs wiegen. (34 kg).
8. Die Lage der vorderen und hinteren Befestigungspunkte (A) (B) wird in Fig.1a und Fig. 1b gezeigt und ist ganz deutlich mit einem Verankerungsaufkleber gekennzeichnet.
9. Nur mit einem Rückhaltesystem (WTORS - Wheelchair Tiedown and Occupant Restraint Systems) verwenden, das gemäß der Anleitung des Herstellers und ISO 10542 installiert wurde. Befestigen Sie das Rückhaltesystem (WTORS) gemäß der Anleitung des Herstellers und SAE J2249 an den Befestigungspunkten (A) (B).
10. Der Winkel des Beckengurts sollte innerhalb des bevorzugten Bereichs von 45 bis 75 Grad zur Waagrechten liegen oder innerhalb des optionalen Bereichs von 30 bis 45 Grad zur Waagrechten (Fig. 3)
11. Der Beckengurt sollte unten an der Vorderseite des Beckens getragen werden. Die Gurte für den Oberkörper über den Schultern positionieren. Die Gurte dürfen nicht durch Bauteile des Rollstuhls vom Körper ferngehalten werden. Vergewissern Sie sich, dass die Gurte nicht verdreht sind.
12. Wenn der Rückenwinkel beim Transport verstellt werden muss, sollte der Sitz/Rücken des Rehawagens in einem Winkel von maximal 30° zur Senkrechten gestellt werden oder es besteht bei einem Unfall oder Aufprall Verletzungsgefahr für den Benutzer.
13. Befestigen Sie alle Rückhaltesysteme gemäß der Anleitung des Herstellers und ISO 10542.
14. Für den Transport Verdeck, Haltebügel, Therapietisch, Korb unter dem Fahrgestell und Buggy-Board abnehmen.
15. Den Korb ganz entleeren.



Halten Sie an Ihrem Rollstuhl nach diesem Symbol Ausschau. Es zeigt die Befestigungspunkte für den Rollstuhl an, die mit ISO 7176-19 (2008) konform sind.

A. FAHRGESTELL AUSEINANDER- UND ZUSAMMENFALTEN

! WARNUNG

1. Die Zippie-Produkte sind für Stabilität und hohe Leistung ausgelegt. Wenn er auseinandergefoldet ist, muss der Wagen ganz geöffnet und arretiert sein, um Verletzungen des Benutzers zu vermeiden.
2. Beachten Sie die Anleitung zum Aufalten des Wagens genau und überprüfen Sie, dass der Wagen ganz arretiert ist, bevor Sie die Sitzeinheit hinzufügen und den Benutzer hineinsetzen.
3. Achten Sie darauf, dass Sie Ihre Finger nicht einklemmen oder einzwicken.

Entfalten:

4 5 6

1. Lösen Sie die Lagersicherung (A) am gefalteten Rahmen. Sie sollte für die zukünftige Verwendung am Rahmen befestigt bleiben.
2. Ziehen Sie den oberen Teil des Rahmens (B) nach oben, bis er einrastet. Es kann sein, dass Sie Ihren Fuß auf die untere Stange stellen müssen, während Sie den oberen Teil des Rahmens nach oben ziehen (Fig. 6).
3. Die Hinterräder und die vorderen Lenkräder können jetzt angebracht werden, wenn das noch nicht geschehen ist.

Falten:

7 6 4

! WARNUNG

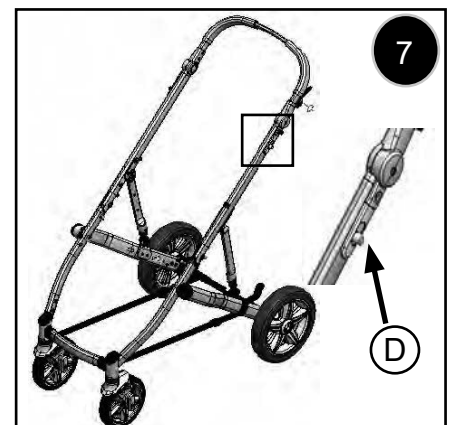
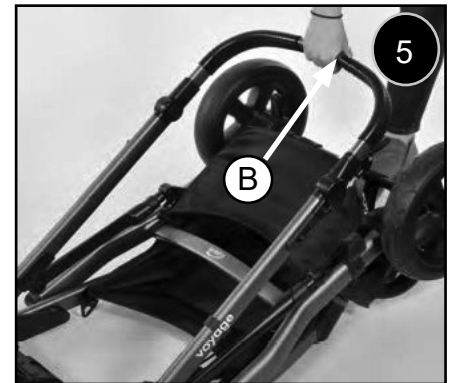
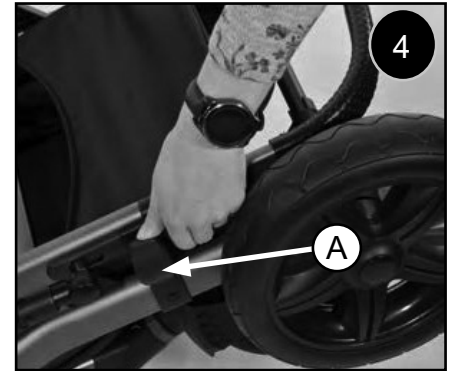
Der Zippie Voyage ist nicht für das Falten bei installiertem Sitzsystem ausgelegt. Nehmen Sie das Sitzsystem **IMMER** ab, bevor Sie das Fahrgestell falten. Bei Nichtbeachtung kann der Rehawagen beschädigt werden.

1. Nehmen Sie das Kind aus der Sitzeinheit heraus und nehmen Sie dann die Sitzeinheit ab (siehe Unterabschnitt (F))
2. Entriegeln Sie die vorderen Lenkräder.
3. Bringen Sie den Griff wie in Fig. 7 gezeigt wieder in die gerade Stellung.
4. Betätigen Sie die Feststellbremse.
5. Ziehen Sie beide Arretierstifte (D) gleichzeitig nach oben. Dadurch wird die Rahmenverriegelung gelöst. Ziehen Sie die Arretierstifte weiter nach oben, während Sie gleichzeitig den oberen Teil des Rahmens nach unten drücken.
6. Drücken Sie den Griff nach unten, um mit dem Falten des Fahrgestells zu beginnen.
7. Heben Sie das mittige Rohr der Slide-N-Lock-Funktion (C) an. Fig. 6.
8. Lassen Sie die Lagersicherung (A) am oberen Rahmen einrasten, um zu verhindern, dass sich der Rahmen beim Transport oder bei der Aufbewahrung öffnet.

HINWEIS: Die Hinterräder oder vorderen Laufräder müssen für diesen Vorgang nicht abgenommen werden, können aber abgenommen werden, um bei der Aufbewahrung Platz zu sparen.

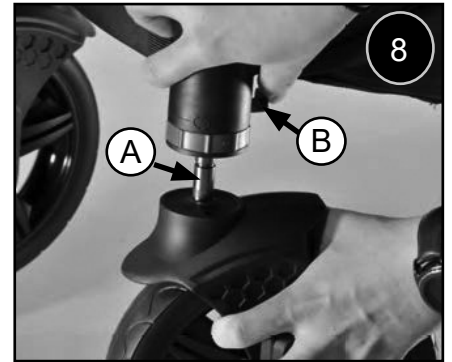
Wenn Sie sich entscheiden, die vorderen Laufräder nicht vom Rehawagen abzunehmen, können sich Lenkräder und Schiebegriff unter Umständen behindern und nicht richtig arretiert werden.

In den meisten Fällen sollten Sie den Schiebegriff vor dem Falten ganz einschieben, dann können Sie die Lagersicherung einfach einrasten lassen. Öffnen oder schließen Sie das Fahrgestell nicht mit Gewalt, wenn es beim Falten oder Entfalten klemmt, da es dadurch beschädigt werden könnte.



B. LENKRÄDER**Lenkräder anbringen und abnehmen:** 8

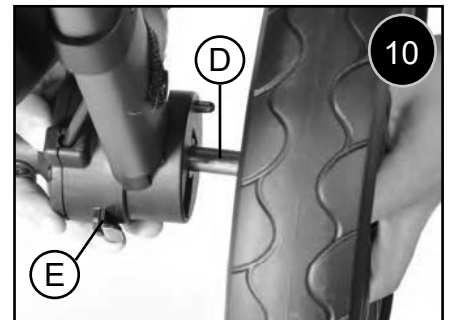
- Suchen Sie das Führungsloch für den Lenkradstift an der Unterseite des Zippie Voyage Rahmens. Richten Sie den Lenkradstift (A) mit dem Loch aus und drücken Sie gleichzeitig die Nase (B) in den Lenkradstift hinein, bis er hörbar einrastet. Prüfen Sie den festen Sitz am Fahrgestell, indem Sie am Lenkrad ziehen. Wenn es sich nicht bewegt, wurde das Lenkrad richtig angebracht. Wiederholen Sie diesen Vorgang auf der anderen Seite.
- Drücken Sie zum Abnehmen des Lenkrads die Nase (B) und ziehen Sie das Lenkrad heraus.

**Feststellbremsen des Lenkrads:** 9

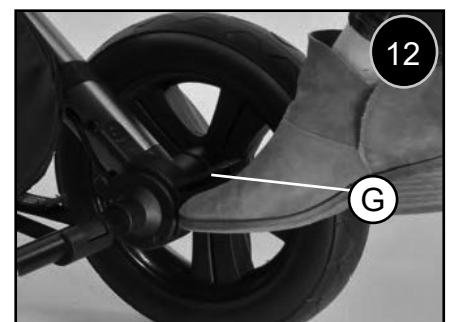
- Das Lenkrad wird mit dem Verschlussring (C) arretiert. Drehen Sie den Verschlussring, bis er hörbar einrastet. Machen Sie das an beiden vorderen Lenkrädern so und überprüfen Sie es nochmal, um sicherzustellen, dass die Verriegelung eingerastet ist.
- Zum Entriegeln des Lenkrads drehen Sie den Verschlussring gegen den Uhrzeigersinn, bis sich das Rad frei dreht.

**C. ANTRIEBSRÄDER****Hinterräder anbringen und abnehmen:** 10

- Zum Anbringen des Hinterrades die Achse des Hinterrades (D) vorsichtig in das Loch im Rahmen einführen, bis das Rad einrastet.
- Zum Abnehmen des Hinterrades einfach die Radtaste (E) drücken und gleichzeitig das Rad vorsichtig vom Rahmen abziehen.

**D. BEDIENUNG DER FESTSTELLBREMSE****Feststellbremse betätigen oder lösen:** 11 12

- Betätigen Sie die Feststellbremse, indem Sie das Fußpedal der Bremse (F) vorsichtig mit dem Fuß nach unten drücken.
- Zum Lösen der Feststellbremse den senkrechten Hebel (G) nach vorne drücken.



E. SITZEINHEIT ANBRINGEN

⚠️ WARNUNG

Überprüfen Sie VOR dem Anbringen der Sitzeinheit immer, dass der Rehawagen ganz auseinandergefaltet und arretiert ist und dass alle vier Räder arretiert sind. Die Sitzeinheit darf nicht angebracht werden, wenn sich jemand auf dem Sitz befindet. Denken Sie immer daran, den Rehawagen vor diesem Vorgang zu stabilisieren.

- Drehen Sie die vorderen Lenkräder so, dass sie nach vorne zeigen.
- Betätigen Sie die Feststellbremse.

Die Sitzeinheit weist unter der Sitzplatte einen Schnappverschluss auf. Der Adapter auf dem Untergestell ist das Gegenstück und passt zum Schnappverschluss. Die Sitzeinheit kann so angebracht werden, dass das Kind nach vorne oder hinten gerichtet sitzt. Das Anbringen ist für beide Blickrichtungen gleich.

Die Verriegelung:

13 14

BITTE BEACHTEN SIE - Unter der Sitzplatte befindet sich eine Verriegelung, die als eine zusätzliche Sicherung nach der Montage des Sitzes verwendet werden kann.

1. VOR der Befestigung am oder dem Abnehmen des Sitzes vom Fahrgestell MUSS die Verriegelung (K) wie in Fig. 14 gezeigt nach rechts (entriegelte Position) geschoben werden.
2. Um zu verhindern, dass die Sitzverriegelung aus Versehen aktiviert wird, schieben Sie die Verriegelung wie in Fig. 15 nach links, NACHDEM der Sitz ganz am Fahrgestell befestigt ist (der Sitz kann in der verriegelten Stellung nicht am Fahrgestell befestigt werden).

Sitzeinheit anbringen:

15

HINWEIS - Bei der rückwärtsgerichteten Montage des „Moderaten Sitzsystems“ heben Sie die Fußstütze bis zu einem Winkel von etwa 5 Grad, um die Querstange des Kinderwagengestells freizugeben, damit der Sitz in die Aufnahme einrasten kann.

1. Vergewissern Sie sich, dass der Sitz ganz aufrecht gestellt ist (keine Rückenwinkel- oder Sitzneigungsverstellung)
2. Vergewissern Sie sich, dass alle Positionierungsgurte und alles Zubehör aus dem Weg sind und das vollständige Einrasten des Sitzes in der Aufnahme nicht behindern.
3. **Nur „Moderates Sitzsystem“:** Richten Sie die Ausrichtungsmarkierung (D) mit der Querstange (E) am Fahrgestell aus (Fig. 15).
4. Senken Sie die Sitzschale ab, sodass sich die Sitzschale und die Montageplatte berühren.
5. Schieben Sie den Sitz gleichmäßig nach hinten. Es sollte jetzt ein Klickgeräusch hörbar sein. Überprüfen Sie, dass sie sicher eingerastet ist, indem Sie an beiden Seiten nach oben ziehen. Wenn sie sich nicht bewegen oder neigen lässt, wurde die Sitzschale richtig angebracht.
6. Die Sitzeinheit kann jetzt einen Benutzer für den Transport und/oder zum Einstellen aufnehmen.

F. SITZEINHEIT ABNEHMEN

⚠️ WARNUNG

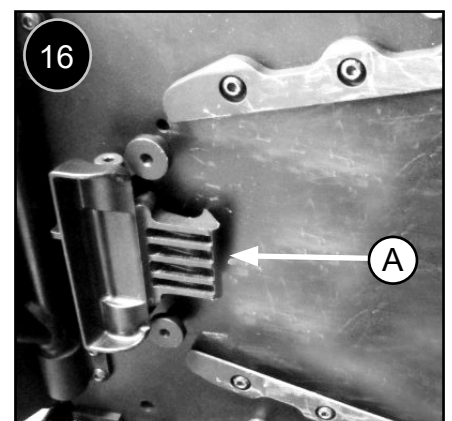
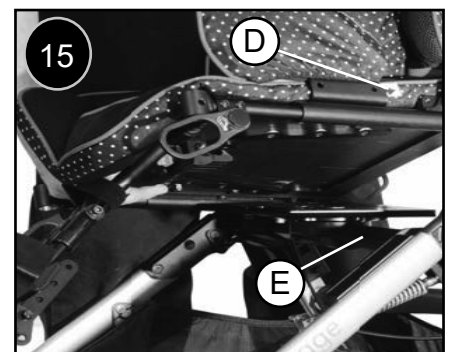
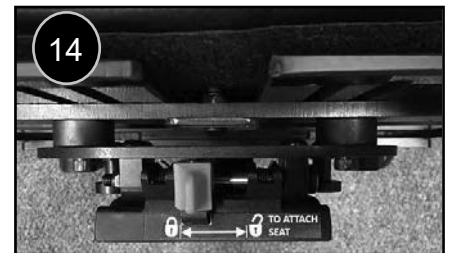
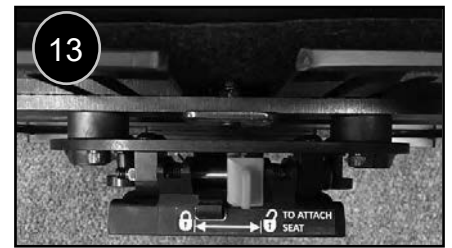
Bringen Sie den Benutzer VOR dem Abnehmen der Sitzeinheit immer an einen sicheren Ort. Die Nichtbeachtung dieser Vorgabe kann dazu führen, dass das Kind und/oder die Pflegeperson verletzt wird. Denken Sie immer daran, den Rehawagen vor diesem Vorgang zu stabilisieren.

- Drehen Sie die vorderen Lenkräder so, dass sie nach vorne zeigen.
- Betätigen Sie die Feststellbremse.

Sitzeinheit abnehmen:

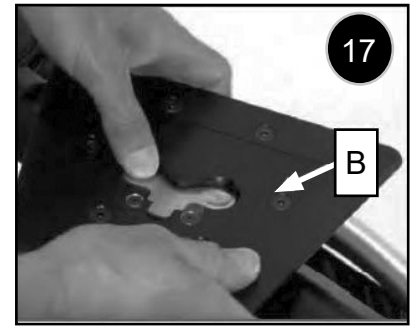
16

1. Vergewissern Sie sich, dass der Sitz ganz aufrecht gestellt ist (keine Rückenwinkel- oder Sitzneigungsverstellung)
2. Ziehen Sie den Verschlusshebel und halten Sie ihn in dieser Position, damit er sich von der Aufnahme löst (A), schieben Sie die Sitzschale nach vorne und heben Sie sie ab, wenn sie vom Sitz gelöst ist.
3. Die Sitzeinheit ist jetzt zur Überprüfung und/oder Aufbewahrung bereit.



Blickrichtung der Sitzeinheit ändern: 17 17.1 18 19

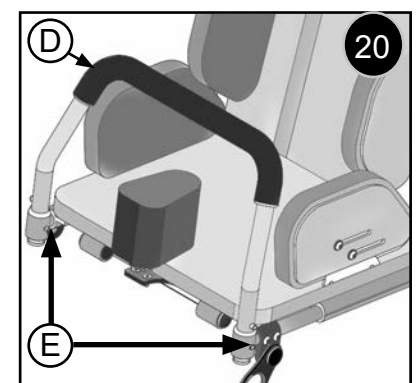
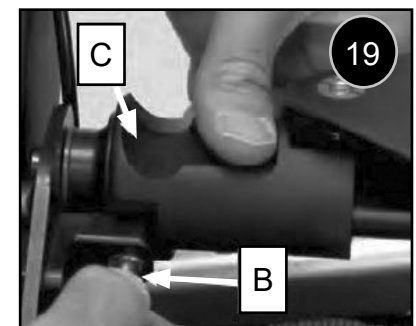
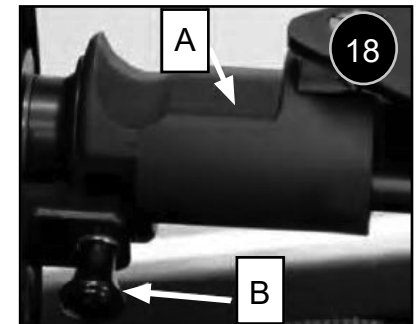
1. Verriegeln Sie die Räder und nehmen Sie den Sitz ab.
 2. Vergewissern Sie sich, dass sich die Sitzneigungsverstellung in der „Ausgangsposition“ oder bei 0° befindet. Drücken Sie dazu den Verschlusshebel für die Sitzneigung und lassen Sie die „Slide-n-Lock“-Platte (Aufnahme) in die Ausgangsposition springen.
 3. SCHRITT 1: Drücken Sie den goldenen Knopf mit der Nr. 1 (A) an der Slide-n-Lock-Platte und drehen Sie die Platte bis zum Anschlag (Fig. 17).
 4. SCHRITT 2: Ziehen Sie den Stift (B) mit einer Hand und drehen Sie die Hülse des Sitzneigungsbegrenzers (C) mit der anderen Hand* (Fig. 18 und 19).
 5. -HINWEIS: Drehen Sie die Hülse des Sitzneigungsbegrenzers nur, wenn Sie die Platte drehen.
 6. *Wenn der Sitz nach vorne zeigt, sollte die Hülse des Sitzneigungsbegrenzers nach hinten gedreht werden, wenn der Sitz nach hinten zeigt, sollte die Hülse nach vorne gedreht werden.
 7. SCHRITT 3: Drehen Sie die Platte um 180°, bis sie einrastet. (Fig. 17.1)
- HINWEIS - Bei einem „Erweiterten Sitzsystem“ ist der maximale Neigungswinkel nach hinten (vorne) möglicherweise begrenzt.

**Haltegriff einstecken oder abnehmen:** 20

Den Rehawagen vor diesem Vorgang immer stabilisieren.

- Drehen Sie die vorderen Lenkräder so, dass sie nach vorne zeigen.
- Betätigen Sie die Feststellbremse.

8. Achten Sie darauf, dass Sie nicht an lebenserhaltenden Schläuchen ziehen, die am Kind befestigt sind, bzw. diese nicht quetschen. Bei dieser Einstellung kann eine Quetschkante entstehen. Achten Sie deshalb darauf, dass alle Hindernisse und/oder Kleidungsstücke, die sich dort verfangen könnten, entfernt werden.
9. Die Einstellung erfolgt von der Vorderseite des Wagens. Drücken Sie gleichzeitig die beiden Arretierstifte (E) und stecken Sie den Haltebügel (D) entweder ein oder nehmen Sie ihn ab.
10. Wenn Sie den Haltebügel (D) einstecken, drücken Sie den Griff so weit hinein, dass die Arretierstifte aus dem Verriegelungsloch (E) herauspringen.
11. Ziehen Sie den Haltegriff nach oben, um sicherzustellen, dass er arretiert ist.
12. Der Haltegriff ist beidseitig verwendbar.

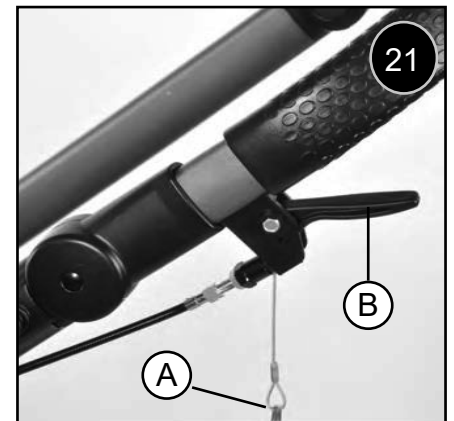
**G. SITZNEIGUNGSVERSTELLUNG****⚠ WARNUNG**

Überprüfen Sie VOR dem Verstellen der Sitzneigung immer, dass der Rehawagen ganz auseinandergefaltet und arretiert ist und dass alle vier Räder arretiert sind. Achten Sie darauf, dass Sie nicht an lebenserhaltenden Schläuchen ziehen, die am Kind befestigt sind, bzw. diese nicht quetschen. Denken Sie immer daran, den Rehawagen vor diesem Vorgang zu stabilisieren.

- Drehen Sie die vorderen Lenkräder so, dass sie nach vorne zeigen.
- Betätigen Sie die Feststellbremse.

Sitzneigung verstellen: 21

1. Nehmen Sie den Sicherungsstift heraus, um das Verstellen der Sitzneigung zu ermöglichen. Greifen Sie den Sitzneigungshebel (A) an der linken Seite des Rahmens, halten Sie ihn gedrückt und ziehen Sie dann die Oberseite der Sitzeinheit nach hinten, bis der gewünschte Winkel erreicht ist. Die Komponenten zur Unterstützung des Rückens und des Sitzens einschließlich der Fußraste sollten zusammen verschoben werden.
2. Lassen Sie den Griff los und ziehen Sie vorsichtig an der Sitzeinheit, um zu überprüfen, dass sie in der neuen Position arretiert ist.
3. Durch diese Verstellung kann sich das Gleichgewicht des Wagens leicht ändern, also empfiehlt es sich, zu überprüfen, dass bei der neuen Einstellung keine Kippgefahr besteht.

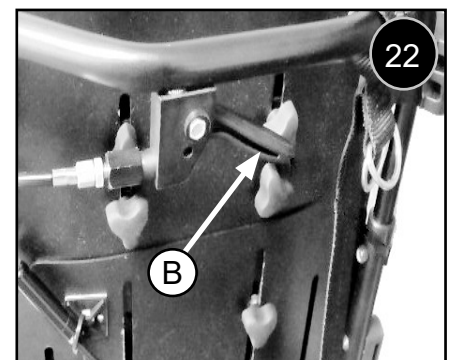
**H. RÜCKENWINKELVERSTELLUNG****⚠ WARNUNG**

Überprüfen Sie VOR dem Verstellen des Rückenwinkels immer, dass der Rehawagen ganz auseinandergeklappt und arretiert ist und dass alle vier Räder arretiert sind. Achten Sie darauf, dass Sie nicht an lebenserhaltenden Schläuchen ziehen, die am Kind befestigt sind, bzw. diese nicht quetschen. Denken Sie immer daran, den Rehawagen vor diesem Vorgang zu stabilisieren.

- Drehen Sie die vorderen Lenkräder so, dass sie nach vorne zeigen.
- Betätigen Sie die Feststellbremse.
- Wenn er mit Schultergurten ausgestattet ist, lockern Sie die Schultergurte, um Platz für das Verstellen des Rückenwinkels zu lassen.

Rückenwinkelverstellung: 22

1. Nehmen Sie den Sicherungsstift vom Verstellhebel für den Rückenwinkel ab. Stellen Sie sich hinter den Rehawagen und greifen Sie den Verstellhebel für den Rückenwinkel (B). Drücken Sie den Hebel und ziehen Sie dann am Rückenbereich. (Der Rücken sollte sich unabhängig von der Sitzunterstützung und der Fußraste bewegen). Wenn der gewünschte Winkel erreicht ist, lassen Sie den Griff los und ziehen Sie vorsichtig an der Sitzeinheit, um zu überprüfen, dass sie in der neuen Position arretiert ist.
2. Durch diese Verstellung kann sich das Gleichgewicht des Wagens leicht ändern, also empfiehlt es sich, zu überprüfen, dass bei der neuen Einstellung keine Kippgefahr besteht.
3. Wenn der Wagen mit Schultergurten ausgestattet ist, die Gurte so einstellen, dass sie richtig passen.

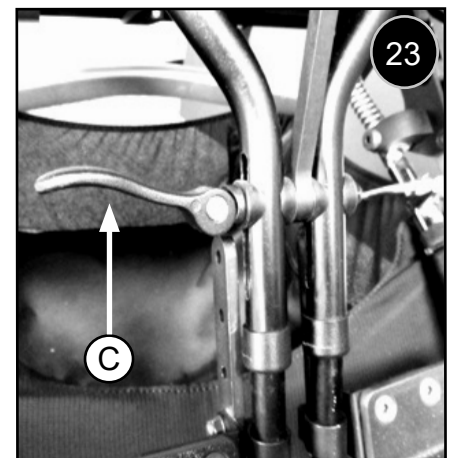
**I. KNIIEWINKEL VERSTELLEN****⚠ WARNUNG**

Stabilisieren Sie vor diesem Vorgang immer den Rehawagen.

- Drehen Sie die vorderen Lenkräder so, dass sie nach vorne zeigen.
- Betätigen Sie die Feststellbremse.

Kniewinkel verstellen: 23

1. Achten Sie darauf, dass Sie nicht an lebenserhaltenden Schläuchen ziehen, die am Kind befestigt sind, bzw. diese nicht quetschen. Bei dieser Einstellung kann eine Quetschkante entstehen. Achten Sie deshalb darauf, dass alle Hindernisse und/oder Kleidungsstücke, die sich dort verfangen könnten, entfernt werden.
2. Lösen Sie den Verschlusshebel (C) und stellen Sie den Kniewinkel auf den gewünschten Winkel ein.
3. Heben Sie nach jeder Verstellung den Verschlusshebel an, um ihn ordnungsgemäß zu arretieren.

**J. ANKIPPBÜGEL**

Ankippbügel werden von Begleitpersonen verwendet, um den Wagen über ein Hindernis zu schieben. Um den Rollstuhl zum Beispiel auf einen Bordstein oder eine Stufe zu schieben, tritt man einfach mit dem Fuß auf den Bügel.

K. VERDECK ANBRINGEN UND EINSTELLEN**⚠️ WARNUNG**

Beim Anbringen von Zubehör ist es immer besser, wenn sich das Kind nicht im Rehwagen befindet.

Verdeck anbringen:

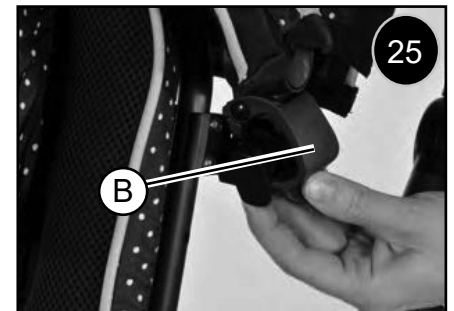
24 25

1. Stellen Sie sich hinter den Rehwagen und befestigen Sie das Verdeck an den Aufnahmen der Sitzeinheit (A).
2. Führen Sie eine Sichtprüfung durch, ob das Verdeck richtig angebracht wurde und überprüfen Sie, dass es fest sitzt und richtig befestigt ist. Für einen sicheren Betrieb müssen die Kunststoffflaschen (B) arretiert sein.

**Verdeck verstellen:**

26

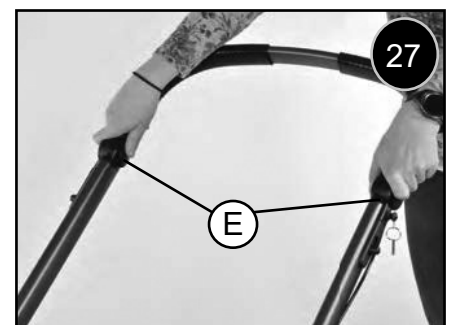
1. Nach dem Anbringen können Sie den Winkel des Verdecks verstellen, indem Sie es nach vorne oder hinten schieben, bis der gewünschte Schutz erzielt ist.
2. Sie können auch die Halbrundschräuben (C) lockern und die Halterungen des Verdecks (D) drehen, damit das Kind mehr Platz oder Abdeckung hat. Achten Sie beim Drehen der Halterungen des Verdecks darauf, dass beide Seiten gleich verstellt werden.
3. Heben Sie das Verdeck vorne ganz nach oben an, damit das Kind mehr Platz hat und der Zugang erleichtert wird.
4. Wenn das Verdeck mit Sitzneigungs- und Rückenwinkelverstellung verwendet wird, muss das Verdeck unter Umständen nach vorne oder hinten geneigt werden, um mehr Platz für den Schiebegriff zu schaffen.

**L. AUSZIEHBARE SCHIEBEGRIFF-VERLÄNGERUNGEN****Schiebegriff verstellen:**

27

Die Griffhöhe ist verstellbar, um ein bequemes Schieben zu ermöglichen.

1. Die Einstellung erfolgt von der Rückseite des Wagens. Drücken Sie gleichzeitig beide Drehknöpfe (E) am Schiebegriff und stellen Sie ihn auf den gewünschten Winkel ein.
2. Lassen Sie die Knöpfe los um den Schiebegriff wieder einzurasten.



A. POSITIONIERUNG UND WACHSTUM**⚠️ WARNUNG**

Wenn aufgrund des Wachstums oder für die Positionierung Änderungen bei den Einstellungen erforderlich sind, muss ein Therapeut zu Rate gezogen werden, bevor Änderungen vorgenommen werden. Diese Einstellungen sind sehr wichtig für die orthopädischen und neurologischen Bedürfnisse des Kindes. Es ist darauf zu achten, dass die Änderungen physiologisch und medizinisch angemessen sind. Sunrise Medical empfiehlt, alle Anpassungen der Positionierung oder zum Wachstum von Ihrem Fachhändler durchführen zu lassen. Es dürfen keine Einstellungen vorgenommen werden, während das Kind im Rehawagen sitzt.

Drehmomente:

Eine Drehmoment-Einstellung ist die optimale Stärke, mit der eine bestimmte Schraube angezogen werden soll. Wenn spezifische Drehmomente angegeben sind, ist es wichtig, dass diese verwendet werden. Sind keine spezifischen Werte angegeben, sind folgende Drehmomente zu verwenden: M5 Verbindungselemente = 44 in-lbs (5 Nm), M6 Verbindungselemente = 62 in-lbs (7 Nm), M8 Verbindungselemente = 88 in-lbs (10 Nm). Bei allen anderen Verbindungselementen ist ein Drehmoment von 60 in-lbs (6,8 Nm) zu verwenden.

Benötigte Werkzeuge: 28

1. Sechskantschlüsselsatz Zoll
2. Sechskantschlüsselsatz metrisch
3. Gabelschlüsselsatz Zoll
4. Gabelschlüsselsatz metrisch
5. Drehmomentschlüssel
6. Sechskant-Steckschlüsselsatz Zoll
7. Sechskant-Steckschlüsselsatz metrisch
8. Kreuzschlitz- und flache Schraubenzieher

HINWEIS: Der Drehmomentschlüssel muss inch-pounds messen.

Drehmomentschlüssel mit passenden metrischen Steckschlüsseinsätzen sind in jedem Baumarkt erhältlich.

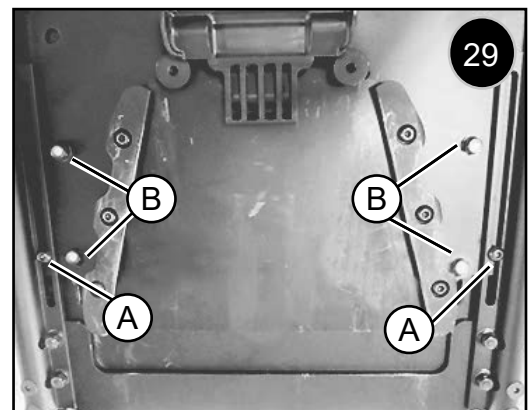
Im Allgemeinen sollten Einstellungen für Positionierung und Wachstum in der folgenden Reihenfolge vorgenommen werden:

1. Einstellen des Sitzbereichs
2. Einstellen der Unterstützung im Rückenbereich
3. Einstellen des Beckenpositionierungsgurts
4. Einstellen der Fußraste
5. Einstellen der Kopfstütze(n)
6. Alle sonstiges Standard- und optionalen Einstellungen, die erforderlich sind
7. Überprüfen Sie, dass alle Stellschrauben auf das vorgegebene Drehmoment angezogen sind

B. KOMFORT-SITZ EINSTELLEN**Einstellen der Tiefe beim Komfort-Sitz:** 29

HINWEIS: Sitzplatte von unten gesehen.

1. Das Sitzkissen abnehmen. Es ist mit einem Klettverschluss befestigt.
2. Lockern Sie die Schrauben (A) an beiden Seiten (aber nicht abnehmen).
3. Lockern Sie die vier Muttern (B). Für bestimmte Einstellungen müssen unter Umständen die Metallteile abgenommen werden.
4. Schieben Sie zum Verstellen der Tiefe die vordere Sitzplatte nach vorne oder hinten.
5. Ziehen Sie die Befestigungsteile (A) + (B) wieder auf (75-85 in-lbs / 8,5-9,5 Nm) an.
6. Legen Sie das Sitzkissen wieder auf den Sitz.

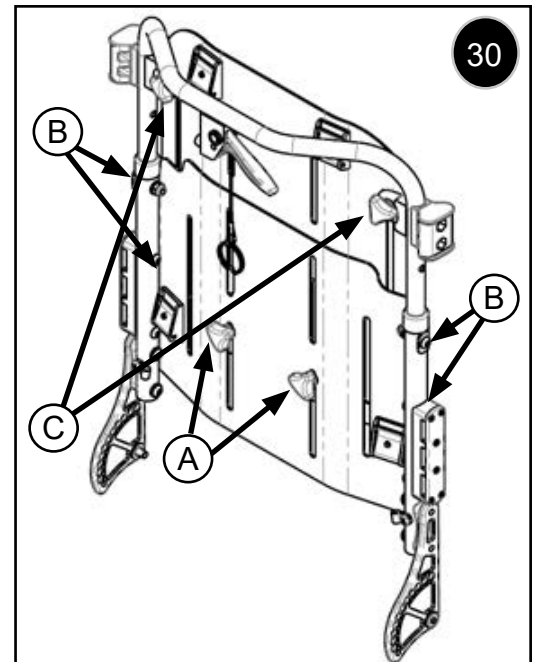


! WARNUNG

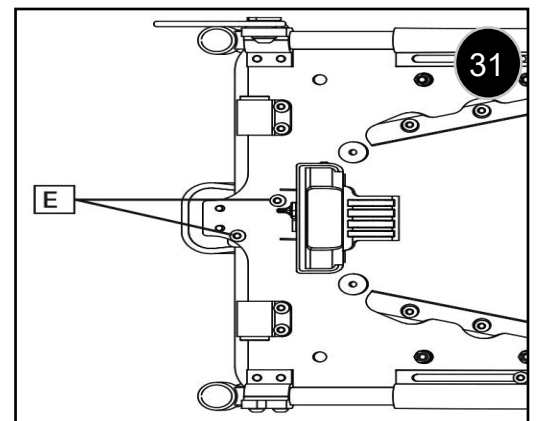
- Um Einstellungen einfacher vornehmen zu können und um die Sicherheit des Patienten zu gewährleisten, Einstellungen immer ohne den Benutzer im Rehawagen durchführen.
- Den Rehawagen vor diesen Arbeiten immer stabilisieren.
- Durch das Verstellen der Rückenhöhe kann sich der gesamte Schwerpunkt ändern. Überprüfen Sie, dass der Rehawagen standfest ist und bei der neuen Einstellung nicht umkippt.

Einstellen der Rückenhöhe beim Komfort-Sitz: 30

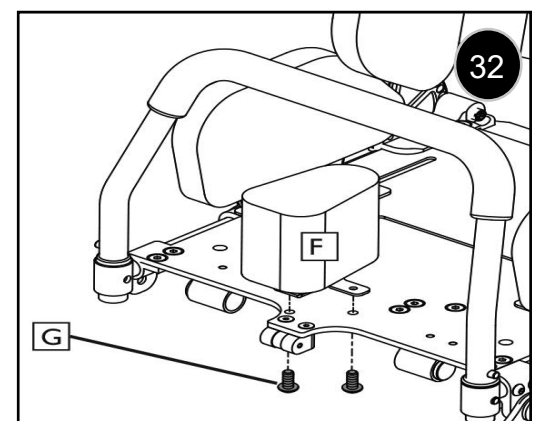
1. Drehen Sie die vorderen Lenkräder so, dass sie nach vorne zeigen.
2. Betätigen Sie die Feststellbremse.
3. Nehmen Sie das Rückenkissen ab.
4. Für eine schnelle Einstellung (100 mm - 4") lockern Sie die vier Knöpfe (A) und (C) am Rücken oder nehmen Sie sie ab, falls erforderlich.
5. Wenn Seitenpelotten vorhanden sind, lockern Sie auch deren Drehknöpfe.
6. Zum Einstellen verschieben Sie die obere Rückenschale nach oben oder unten.
7. Ziehen Sie die Knöpfe (A) und (C) wieder an.
8. Für eine zusätzliche Höheneinstellung (mehr als 100 mm) über den Bereich der Langlöcher hinaus, nehmen Sie die Schrauben an den Rückenrohren (B) auf beiden Seiten ab und lockern Sie die zwei unteren Drehknöpfe (A).
9. Wenn Seitenpelotten vorhanden sind, lockern Sie auch deren Befestigungsknöpfe bzw. nehmen Sie sie ab oder nehmen Sie die Seitenpelotten ganz ab.
10. Verschieben Sie die komplette Rückenschale und den Griff nach oben oder unten zum nächsten Loch. Der Abstand beträgt 76 mm (3")
11. Ziehen Sie die Befestigungsteile (A) + (B) wieder an.
12. Bringen Sie das Rückenkissen wieder an.

**Montage des Abduktionskeils: 31 32**

1. Positionieren Sie die Fußraste waagrecht, d.h., parallel zum Boden.
2. Finden Sie die zwei Löcher (E) in der Sitzplatte, die sich an beiden Seiten des Fußrasterrohrs befinden.
3. Das Sitzkissen muss befestigt werden.
4. Die Metallhalterung durch das Langloch im Kissen schieben und die Löcher an der Halterung mit den Löchern in der Sitzplatte ausrichten.
5. Befestigen Sie das Stegpolster (F) mit den Schrauben (C) an der Sitzplatte.

**C. HÖHE DES SCHULTERGURTS EINSTELLEN:**

1. Die Handräder auf jeder Seite der Rückenplatte lockern, aber nicht abnehmen.
2. Den Schultergurt auf die richtige Höhe einstellen.
3. Alle Handräder wieder anziehen (nicht zu fest anziehen) und dann die Schultergurte so anpassen, dass sie bequem sitzen.



D. FUSSRASTE EINSTELLEN:

33

34

Höheneinstellung:

Die Höhenverstellung der Fußraste besteht aus einem ausziehbaren Profilrohr, mit dem die Höhe der Fußraste arretiert wird.

1. Bestimmen Sie die Lage der Stellschrauben (A) an der Rückseite des Fußrastenhalters.
2. Lockern Sie zuerst die oberen Schrauben an beiden Seiten des Fußrastenhalters.
3. Verschieben Sie die Fußraste nach oben oder unten auf die gewünschte Höhe.
4. Ziehen Sie die obere Schraube auf 1,7 Nm - 2,26 Nm (15 - 20 in-lbs) an, dabei aber nicht zu fest anziehen.
5. Wiederholen Sie den Vorgang mit der unteren Schraube, wenn ein zusätzlicher Verstellbereich benötigt wird.

HINWEIS: Die Fußraste wird umgedreht gezeigt, um die kürzeste Beinlänge zu ermöglichen. Sie kann auf beide Arten befestigt werden, die Fußraste kann für eine höhere Einstellung oder eine sichere Platzierung der Füße umgedreht werden.

Einstellen des Winkels

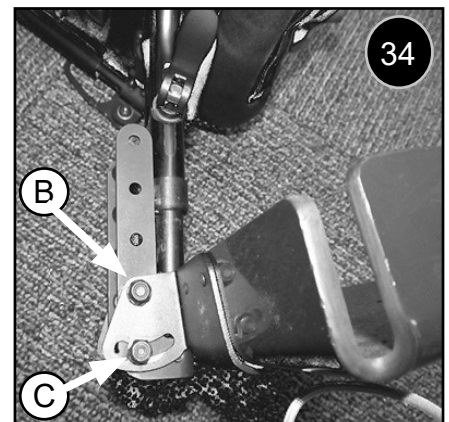
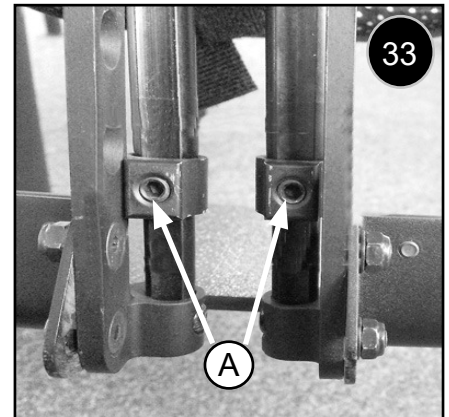
1. Die Fußraste verfügt über zwei Schrauben (B) und (C), mit denen die Drehung der Fußraste gesteuert wird. Lockern Sie wie in Fig. 30 gezeigt die zwei Schrauben an beiden Seiten des Fußrastenhalters.
2. Stellen Sie die Fußraste auf den richtigen Winkel ein.
3. Ziehen Sie die Stellschraube auf 4,5 Nm - 5,1 Nm (40-45 in-lbs) an, um den richtigen Fußrastenwinkel beizubehalten. (Diese Metallteile nicht zu fest gegen die Kunststoffteile anziehen).

E. ABSTAND VOM BODEN ZUM SITZ VERSTELLEN **Tabelle 1**

Beim Voyage Reha-Kinderwagen können drei verschiedene Positionen für den Abstand zwischen Boden und Sitz eingestellt werden:
Niedrig: 23" (590 mm), Mittel: 24,5" (625 mm) und Hoch: 26" (660 mm), siehe Tabelle 1.0

Abstand vom Boden zum Sitz einstellen:

1. Nehmen Sie alle vier Schrauben (A) ab, zwei auf jeder Seite des Reha-Kinderwagen.
2. Bringen Sie die Querstange für die Sitzneigungsverstellung auf die gewünschte Höhe.
3. Bringen Sie die Schrauben wieder in der richtigen Position an, siehe die Abbildung rechts.
4. Ziehen Sie die Schrauben auf ein Drehmoment von 75-85 in-lbs (8,5 - 9,5 Nm) an.



NIEDRIG: 23" (590 MM)	MITTEL: 24,5" (625 MM)	HOCH: 26" (660 MM)

Tabelle 1

E. BECKENPOSITIONIERUNGSGURT EINSTELLEN: 35**Länge einstellen:**

1. Beseitigen Sie Verdrehungen im Gurt und legen Sie die Gurte außerhalb des Sitzbereichs ab.
2. Betätigen Sie die Feststellbremse, setzen Sie das Kind in den Rehawagen und stecken Sie ein Ende des Beckenpositionierungsgurts in das andere Ende mit der Schnalle ein.
3. Passen Sie die Länge des Beckengurts so an, dass er richtig anliegt.
4. Die Einstellvorrichtung befindet sich links vom Kind (D-Fig.35).

Einstellung der Position:

Der Gurt kann hinten an der Drehpunkthalterung befestigt werden oder wenn er vorne benötigt wird, an der Hüfthalterung.

⚠️ WARNUNG

- Vergewissern Sie sich vor der Benutzung des Rollstuhls, dass der Beckengurt angebracht ist.
- Achten Sie immer darauf, dass der Beckengurt vor dem Benutzen korrekt angebracht und eingestellt ist.
- Achten Sie immer darauf, dass der Beckengurt vor dem Anlegen korrekt angebracht und eingestellt ist.

⚠️ GEFAHR

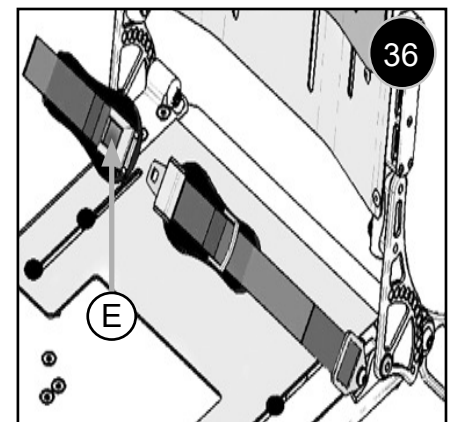
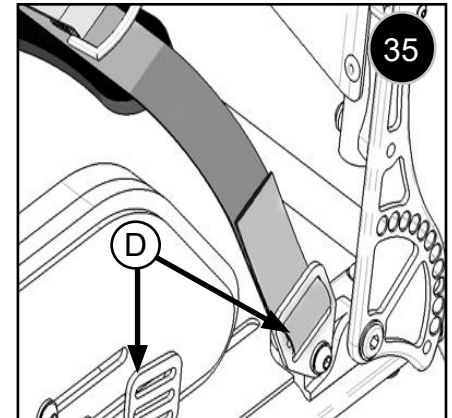
Wenn der Gurt zu locker ist, kann das dazu führen, dass der Benutzer nach unten rutscht und ernsthafte Verletzungs- oder Erstickungsgefahr besteht.

Passen Sie den Beckengurt wie folgt an den Benutzer an: 36 36b

- Betätigen Sie die Feststellbremse, setzen Sie das Kind in den Rehawagen und stecken Sie ein Ende des Beckenpositionierungsgurts in das andere Ende mit der Schnalle ein.
- Bringen Sie den Gurt so an, dass sich die Schnallen in der Mitte des Sitzes befinden.
- Übrige Gurtlänge durch den Einsteckteil des Steckverschlusses und die Schlaufe zurück fädeln.
- Darauf achten, dass der Gurt am Einsteckteil des Steckverschlusses keine Schlinge aufweist.
- Um den Gurt länger zu machen, übrige Gurtlänge durch die Schlaufen und den Einsteckteil des Steckverschlusses fädeln.
- Nach dem Anschnallen den Abstand zwischen dem Beckengurt und dem Benutzer prüfen.
- Bei richtiger Einstellung passt nicht mehr als eine Handfläche zwischen den Beckengurt und den Benutzer.

Der Beckengurt sollte so eingestellt werden, dass der Gurt in einem Winkel von 45 Grad zum Becken des Benutzers sitzt.

Der Benutzer sollte aufrecht und so weit hinten wie möglich im Sitz sitzen, wenn dieser richtig eingestellt ist. Der Beckengurt muss so eingestellt sein, dass der Benutzer nicht im Sitz nach unten rutschen kann.



Zum Ansnallen:

Das Einsteckteil des Steckverschlusses fest in das Gurtschloss stecken.

Zum Lösen der Schnalle:

Drücken Sie den ROTEN Knopf, „E“, in der Mitte der Schnalle und ziehen Sie die beiden Hälften vorsichtig auseinander.

HINWEIS: Sollten Sie noch Fragen zur Verwendung oder Nutzung des Beckengurtes haben, wenden Sie sich bitte an Ihren Rollstuhl-Fachhändler oder Ihre Betreuungs- oder Begleitpersonen.

Wenn Sie nachträglich einen Beckengurt als Rückhaltegurt kaufen wollen, wenden Sie sich bitte an Ihren Fachhändler.

⚠ WARNUNG

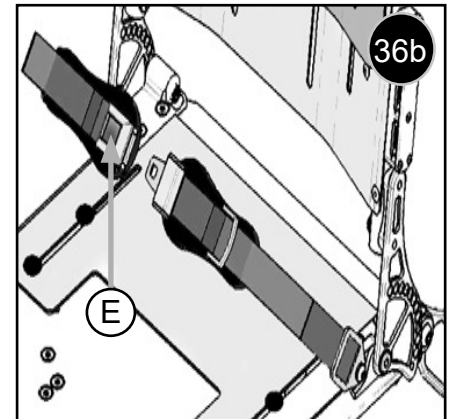
- Der Beckengurt darf nur von einem zugelassenen Händler / Vertreter von Sunrise Medical angebracht oder angepasst werden.
- Der Beckengurt muss täglich überprüft werden, um sicherzustellen, dass er richtig eingestellt ist und keine Behinderung oder übermäßige Abnutzung vorliegt.
- Sunrise Medical gestattet den Transport von Personen in Fahrzeugen mit einem Beckengurt als Sicherheitsgurt nicht.

Wartung:

- Prüfen Sie den Beckengurt und die Befestigungsteile in regelmäßigen Abständen auf Verschleißanzeichen oder Schäden. Je nach Verschleiß kann ein Ersatz erforderlich sein.
- Wenn Sie einen Gurt nachträglich einbauen wollen, wenden Sie sich bitte an Ihren Fachhändler.

⚠ WARNUNG

Der Beckengurt sollte wie oben beschrieben für den Endbenutzer angepasst werden. Sunrise Medical empfiehlt außerdem, die Länge und den Sitz des Gurts regelmäßig zu überprüfen, um das Risiko zu vermindern, dass der Benutzer den Gurt versehentlich zu weit einstellt.

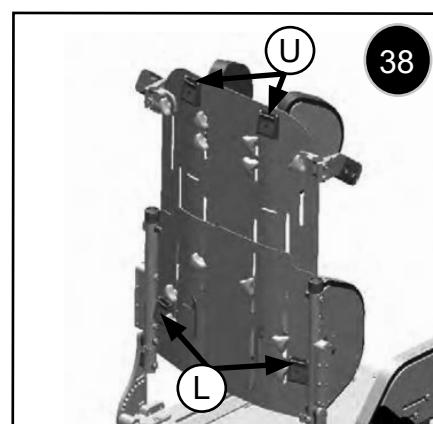
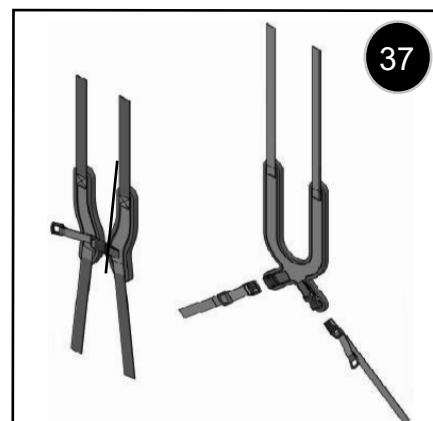


G. BRUST-SCHULTER-GURT**⚠️ WARNUNG**

- Um schwere Verletzungen oder Probleme beim Essen oder Atmen zu vermeiden, muss der Beckenpositionierungsgurt immer mit einem Brustgurt verwendet werden. Überprüfen Sie alle Einstellungen sorgfältig, um sicherzustellen, dass die Atemwege nicht behindert werden können und kein sonstiges unerwünschtes Einschnüren auftreten kann. Verwenden Sie den Brustgurt nicht ohne den Beckenpositionierungsgurt.
- Sunrise Medical gestattet den Transport von Personen in Fahrzeugen mit Brust-Schulter-Gurt als Sicherheitsgurt nicht.

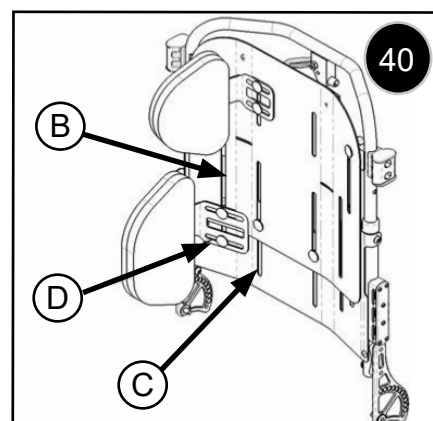
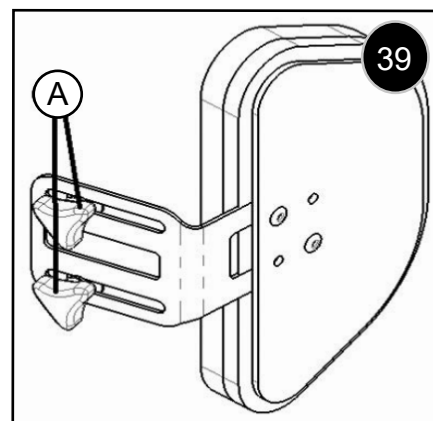
Gurt einstellen: 37 38

1. Setzen Sie das Kind auf das Sitzsystem und schnallen Sie es mit dem Beckenpositionierungsgurt an.
2. Positionieren Sie die Hüfte des Kindes und ziehen Sie den Gurt ordnungsgemäß an.
3. Entriegeln Sie die zwei unteren Haltenocken (L) und die zwei oberen Haltenocken (U).
4. Stellen Sie die unteren Gurte zuerst ein, damit die Gurte nicht am Oberkörper des Kindes nach oben rutschen und arretieren Sie die unteren Haltenocken (L).
5. Stellen Sie dann die oberen Gurte ein und achten dabei darauf, dass um den Hals des Kindes genügend Platz zum Atmen und Essen bleibt, und arretieren Sie dann die oberen Haltenocken (U).

**H. SEITLICHE RUMPF- UND KOPFSTÜTZEN (OPTIONAL)****Höhe und Breite der seitlichen Rumpfstützen und der Kopfstützen einstellen:****39 40**

HINWEIS: Die folgenden Einstellungen können unter Umständen vorgenommen werden, während das Kind sich auf dem Sitzsystem befindet.

1. Lockern Sie die zwei Knöpfe (A) an der Rückseite der Schale so weit, dass die Seitenpelotten verstellt werden können oder nehmen Sie bei Bedarf die Knöpfe ab.
2. Verwenden Sie die Langlöcher in der Schale (das äußere, „B“ oder das innere, „C“) zum Einstellen der Höhe. Verschieben Sie die Seitenpelotten nach oben oder unten auf die gewünschte Position und ziehen Sie die Knöpfe an.
3. Verwenden Sie die Langlöcher in der Halterung „D“ zum Einstellen der Breite oder verschieben Sie es von den äußeren auf die inneren Langlöcher. Passen Sie die Halterungen für die Seitenpelotte in der Breite an, d.h., bringen Sie die Seitenpelotten in die gewünschte Position und ziehen Sie die Knöpfe an.



I. SICHERHEITSGURTE

Ziehen Sie bei der Entscheidung, ob vordere Sicherheitsgurte verwendet werden sollen, immer Ihren Therapeuten zu Rate.

Bei manchen Kindern können wegen des Grades ihrer Behinderung oder ihrer körperlichen Verfassung auch Sicherheitsgurte erforderlich sein, um die richtige Haltung oder die Position des Körpers beizubehalten. Zu diesen Vorrichtungen gehören Kopfgurte, Schultergurte, Brustgurtsysteme, Beckenstützen und Gürtel.

⚠️ WARNUNG

Verletzungsgefahr durch Kopfstützen und wie sie vermieden werden kann.

Eine zu starke Bewegung oder Migration des Beckens- das kann zum Verrutschen der Sicherheitsgurte führen. Wenn das passiert, könnte das Kind dadurch schwer verletzt werden.

So vermeiden Sie Gefahren:

1. Das Kind MUSS in einer stabilen Beckenposition gehalten werden.
2. Vordere Sicherheitsgurte sollten NUR mit Sitz, Rücken und Beckenstützen oder Gurten verwendet werden, die verhindern, dass das Kind im Sitz nach unten rutscht.
3. Sicherheitsgurte müssen von Ihrem autorisierten Fachhändler und Ihrem Therapeuten eingebaut werden.
4. Nach dem Einbau dürfen sie NUR von geschulten Fachleuten platziert und angepasst werden.
5. Lassen Sie das Kind NICHT unbeaufsichtigt, wenn Sicherheitsgurte verwendet werden.

J. HÜFTPELOTEN (OPTIONAL): 41

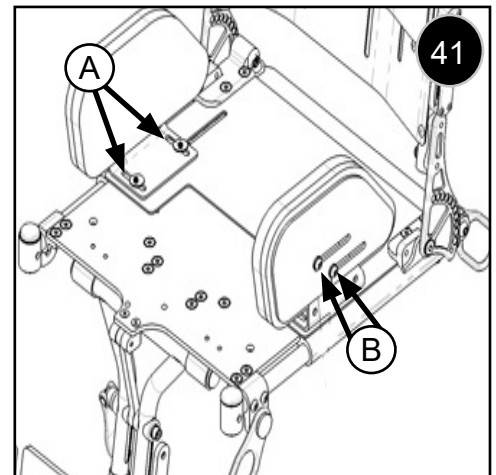
Breitenverstellung, (A):

1. Bestimmen Sie die richtige Lage für die Hüftpolster.
2. Nehmen Sie das Sitzkissen ab, damit Sie Zugang zu den Stellschrauben für die Hüftpolster haben.
3. Lockern Sie die zwei Stellschrauben pro Hüftpolster nur soweit, dass sie eingestellt werden können.
4. Stellen Sie die Hüftpolster auf die gewünschte Position ein.
5. Ziehen Sie die Stellschrauben an und bringen Sie das Sitzkissen wieder an.

Einstellen nach vorne/hinten (B):

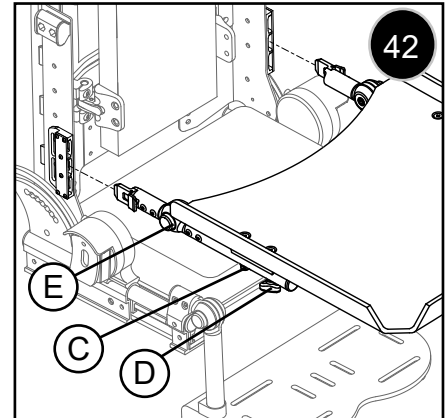
1. Bestimmen Sie die richtige Lage für die Hüftpolster.
2. Nehmen Sie das Kissen der Hüftführung ab, damit Sie Zugang zu den Stellschrauben für die Hüftpolster haben.
3. Lockern Sie die zwei Stellschrauben pro Hüftpolster nur soweit, dass sie eingestellt werden können.
4. Stellen Sie die Hüftpolster auf die gewünschte Position ein.
5. Ziehen Sie die Stellschrauben an und bringen Sie die Abdeckung der Hüftpelotten wieder an.

HINWEIS: Bei einer Hüftbreite von mehr als 10" (254 mm) müssen die Metallteile des Hüftpolsters abgenommen werden. Bei einer Hüftbreite von mehr als 11" (280 mm) wird das Hüftpolster aus Schaumstoff unter dem Stoff am hinteren Drehpunkt angebracht.



K. THERAPIETISCH ANBRINGEN UND EINSTELLEN: 42

1. Schieben Sie den Therapietisch über die Therapietischaufnahmen, stellen Sie die Tiefe ein und lassen Sie ihn einrasten.
2. Überprüfen Sie, dass die Mutter (C) so gelockert ist, dass der Therapietisch eingestellt werden kann.
3. Knopf (D) wird gelockert, um die Tiefe des Therapietisches einzustellen und an beiden Seiten angezogen, um die Einstellung beizubehalten.
4. Um den Winkel des Therapietisches einzustellen, halten Sie die beiden Knöpfe an den Scharniergelenken (E) an den Stützarmen gedrückt und heben Sie den Therapietisch auf den gewünschten Winkel an. Der Therapietisch sollte dann formschlüssig einrasten.

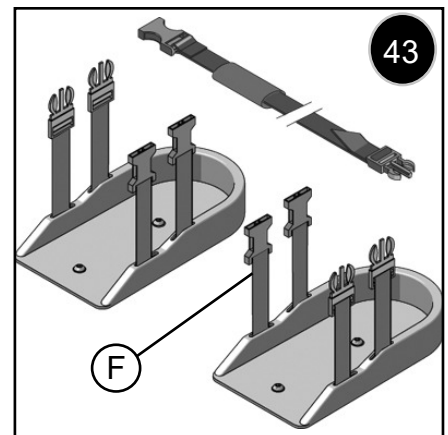
**⚠️ WARNUNG**

Das Anlegen eines Beckenpositionierungsgurts ist für die Sicherheit des Kindes kritisch, wenn Fußriemen oder Schuhhalter für die therapeutische Positionierung verwendet werden müssen.

L. FUSSRIEMEN EINSTELLEN (OPTIONAL):

HINWEIS: Die optionalen Fußriemen sind nur für die therapeutische Positionierung bestimmt.

1. Betätigen Sie die Feststellbremse und setzen Sie dann das Kind in den Rehawagen.
2. Entriegeln und lockern Sie die beiden Fußriemen (F).
3. Bringen Sie den Fuß des Kindes in die richtige Position und schließen Sie den Fußriemen.
4. Lassen Sie die Gurte so locker wie möglich und ziehen Sie sie nur so weit an, wie es für die Beibehaltung der therapeutischen Position erforderlich ist.

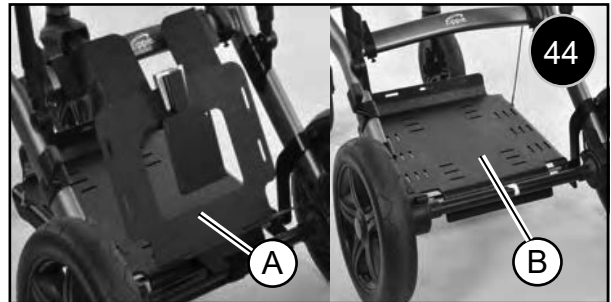
**M. RIEMEN DES SCHUHHALTERS EINSTELLEN (OPTIONAL):** 43

HINWEIS: Schuhhalter sind nur als therapeutische Positionierungshilfen bestimmt.

1. Betätigen Sie die Feststellbremse und setzen Sie das Kind in den Rehawagen.
2. Lockern Sie die Gurte der Schuhhalter (F).
3. Das Kind sollte für diesen Schritt Schuhe tragen. Bringen Sie den Fuß des Kindes in den Schuhhalter und schließen Sie die beiden Riemen der Schuhhalter.
4. Lassen Sie die Gurte so locker wie möglich und ziehen Sie sie nur so weit an, dass die therapeutische Position beibehalten wird.

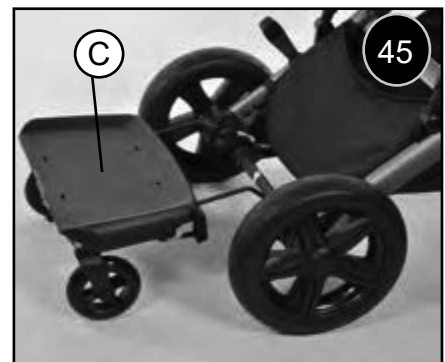
N. HALTERUNGEN/AUFNAHMEN FÜR BEATMUNGSGERÄTE/BATTERIEN (OPTIONAL): 44

1. Es gibt zwei verschiedene Vorrichtungen für den Transport von Beatmungsgeräten. Eine Halterung für ein Beatmungsgerät, die hinten („Schwalbenschwanz“) am Rehawagen montiert wird (A), mit einer Tragfähigkeit von 15 lbs und eine Ablage unter dem Fahrgestell für ein Beatmungsgerät (B), mit einer Tragfähigkeit von 50 lbs (22,7 kg).
2. Die Plattformen für die Beatmungsgeräte können ganz einfach am Fahrgestell des Zippie Voyage befestigt werden.
3. Bei dieser Option werden auch Haltegurte zur Sicherung der Ausrüstung mitgeliefert.
4. Das Auffangbrett (I) ist mitinbegriffen und wird vor den Therapietisch geklappt, um einen kleineren Stauraum zu schaffen.

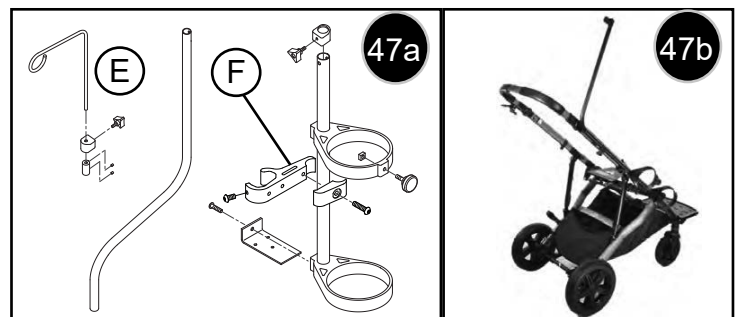
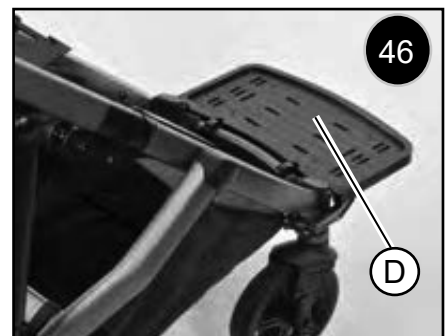
**O. PLATTFORM FÜR DEN FRONT- ODER HECKANBAU (OPTIONAL):**

45 46

1. Die hintere Plattform (C) kann für ein Beatmungsgerät oder eine andere Ausrüstung verwendet werden, die benötigt wird.
2. Die maximale Tragfähigkeit der Plattform für den Frontanbau (D) beträgt 50 lbs (22,7 kg).
3. Bei dieser Option werden auch Haltegurte zur Sicherung der Ausrüstung mitgeliefert.

**P. IV-STANGE / O2-FLASCHENHALTER (OPTIONAL):** 47a 47b

1. Die IV-Stange (E) und der Sauerstoffflaschenhalter (F) sind verstellbar und werden mit den in Fig. 47a gezeigten Metallteilen direkt am Fahrgestell des Zippie Voyage befestigt.
2. Die Lage der Klemme wird in Fig. 47b gezeigt.

**Q. BECHERHALTER, HAKEN (OPTIONAL):** 48

1. Der Becherhalter (G) ist einfach zu befestigen und zu arretieren.
2. Der Haken (H) wird mit einem Klettverschluss befestigt und wird normalerweise zum Aufhängen von Sauerstoffschläuchen verwendet, kann aber auch zum Aufhängen von anderen, leichten Gegenständen benutzt werden.



A. HINWEISE

1. Durch eine ordnungsgemäße Wartung wird die Leistung Ihres Rehawagens verbessert und die Lebensdauer verlängert.
2. Reinigen Sie den Wagen regelmäßig. Dabei stellen Sie lose oder abgenutzte Teile fest, und die Benutzung des Stuhls wird einfacher.
3. Lassen Sie zum Schutz Ihrer Investition alle größeren Wartungs- und Reparaturarbeiten von Ihrem autorisierten Fachhändler durchführen.
4. Überprüfen Sie mindestens alle vier Monate, dass alle Schrauben und Knöpfe fest sitzen. Bei fehlenden, kaputten, beschädigten oder abgenutzten Teilen benutzen Sie das Produkt erst wieder, wenn es mit vom Werk autorisierten Teilen repariert wurde.
5. Wischen Sie alle Kunststoffteile in regelmäßigen Abständen mit einer milden Seifenwasserlösung ab, um sie sauber zu halten.
6. Waschen Sie die Stoffteile bei Bedarf mit der Hand und lassen Sie sie an der Luft trocknen.
7. Schmieren Sie alle beweglichen Metallteile nur mit einem Teflon-Schmiermittel.

HINWEIS: Bei Verwendung anderer Schmiermittel als Teflon können die beweglichen Teile beschädigt werden

8. Überprüfen Sie den Sicherungsstift für die Feststellbremse einmal in der Woche, um sicherzustellen, dass sie gleichmäßig in die Radnabe eingreift. Durch diese einfache Überprüfung wird die Sicherheit des Benutzers gewährleistet. Bei Bedarf mit einem Teflon-Schmiermittel schmieren.
9. Überprüfen und reinigen Sie die Stellen, an denen die Räder befestigt sind, häufig, hier kann sich viel Schmutz ansammeln. Fremdkörper in diesem Bereich können sich auf die Leistung und die Sicherheit des Wagens auswirken.

 WARNUNG

1. Um die Höchstleistung Ihres Rehawagens zu gewährleisten und Verletzungen durch Versagen, Beschädigung oder vorzeitige Abnutzung zu vermeiden, ist eine regelmäßige Wartung erforderlich.
2. Die Inspektion und Wartung muss genau wie im Besitzerhandbuch beschrieben durchgeführt werden.
3. Wenn Sie ein Problem feststellen, lassen Sie einen Service oder eine Reparatur durchführen, bevor Sie ihn benutzen.
4. Lassen Sie mindestens einmal im Jahr von Ihrem Fachhändler eine komplette Sicherheitsprüfung und einen Service durchführen.
5. Durch Sand und Meerwasser (oder Salz im Winter) können die Lager der vorderen und hinteren Räder beschädigt werden. Reinigen Sie den Rollstuhl gründlich, wenn er solchen Bedingungen ausgesetzt war.

B. REINIGUNG**Einzelteile des Fahrgestells:**

- Einmal im Monat mit milder Seifenlösung reinigen.

Polsterung:

- Bei Bedarf nur mit Handwäsche.
- Bei Bedarf in der Waschmaschine.
- Nur nass aufhängen. Die Hitze eines Wäschetrockners könnte den Stoff beschädigen.
- Bewertung der Entzündbarkeit von Polstermöbeln gemäß ISO 7176-16 (EN 1021-1/2)

HINWEIS: Wenn der Stoff gewaschen wird, kann die flammenhemmende Wirkung dadurch beeinträchtigt werden.

C. TIPPS ZUR AUFBEWAHRUNG

1. Bewahren Sie Ihren Rehawagen in einem sauberen, trockenen Raum auf. Sonst könnten Teile rosten oder korrodieren.
2. Vergewissern Sie sich, dass der Rehawagen ordnungsgemäß funktioniert, bevor Sie ihn benutzen. Überprüfen und warten Sie alle in diesem Handbuch angegebenen Teile.
3. Wenn Sie den Rehawagen länger als drei Monate nicht benutzen, lassen Sie ihn vor dem Gebrauch von einem Fachhändler überprüfen.

D. WIEDERVERWENDUNG / ENTSORGUNG / RECYCLING VON MATERIALIEN**⚠ WARNUNG**

Erstickungsgefahr - Halten Sie die Verpackungsmaterialien von Kindern fern.

Hygienemaßnahmen bei Wiedereinsatz:

Bevor der Rollstuhl wiedereingesetzt wird, muss er sorgfältig vorbereitet, eingestellt und hygienisch gereinigt werden. Alle Oberflächen, mit denen der Benutzer in Berührung kommt, müssen mit einem Desinfektionsmittel besprüht werden.

Dafür muss ein in Ihrem Land zugelassenes/ empfohlenes Desinfektionsmittel zur schnellen Desinfektion auf Alkoholbasis für Medizinprodukte und -geräte verwendet werden, die schnell desinfiziert werden müssen.

Bitte beachten Sie die Gebrauchsanweisung des Herstellers für das Desinfektionsmittel, das Sie benutzen.

Im Allgemeinen kann an den Nähten keine vollständige Desinfektion garantiert werden. Wir empfehlen daher, die Sitz- und Rückenbespannung zu entsorgen, um eine mikrobakterielle Kontamination mit Wirkstoffen gemäß dem vor Ort geltenden Infektionsschutzgesetz zu vermeiden.

Wöchentlich	Vierteljährlich	Halbjährlich	Jährlich	Wartungsarbeiten
○				Überprüfung der Reifen (übermäßige Abnutzung, Risse)
○				Bremswirkung der Feststellbremse überprüfen
	○			Sichtprüfung auf lose Metallteile
		○		Sicherheits- und Positionierungsgurte
		○		Achsen und Achsaufnahmen (auf Fremdkörper überprüfen)
	○			Steckachsen (einfach abnehmbar)
○				Reifen der Lenkräder: (übermäßige Abnutzung, Risse)
	○			Lenkräder: (auf gleicher Höhe, frei drehbar)
	○			Adapter: (auf Fremdkörper überprüfen)
		○		Rahmen, Faltmechanismus
		○		Bespannung: (sauber und trocken)
			○	Service vom zugelassenen Fachhändler

HINWEIS: Sollte Ihnen das Produkt durch eine Krankenkasse oder als medizinische Leihgabe zur Verfügung gestellt worden sein, ist er nicht Ihr Eigentum. Wenn er nicht mehr benötigt wird, befolgen Sie die Anweisungen, die Sie von der Organisation, die das Produkt zur Verfügung gestellt hat, bezüglich der Rückgabe erhalten haben.

Im folgenden Abschnitt werden die Materialien beschrieben, die für das Produkt verwendet werden mit Angaben zur Entsorgung oder zum Recycling des Produkts und dessen Verpackung. Darüber hinaus können besondere, örtliche Bestimmungen bezüglich der Entsorgung oder Wiederverwertung gelten; diese müssen bei der Entsorgung Ihres Rollstuhls beachtet werden. (Dazu kann auch die Reinigung oder Dekontaminierung des Produkts vor der Entsorgung gehören).

- Aluminium:** Rahmen des Rehawagens, Sitzgestell
- Stahl:** Befestigungspunkte, Achsen, Schrauben und Muttern
- Kunststoff:** Schiebestange, Lenkradgabel, Räder, Fußrasten, Reifen, Verschlusshaken
- Verpackung:** Plastiktüten aus weichem Polyethylen, Karton
- Bespannung:** Polyestergerewebe, Polyurethan-Schaumstoff

Die Entsorgung oder das Recycling sollte über eine Entsorgungsfirma oder eine öffentliche Entsorgungsstelle erfolgen. Sie können Ihren Rollstuhl zur Entsorgung auch an Ihren Fachhändler zurückgeben.

E. TEILE BESTELLEN

Typenschild

Das Typenschild befindet sich unter dem Sitz sowie auf einem Aufkleber im Benutzerhandbuch. Auf dem Namenschild sind das exakte Modell und andere technische Daten angegeben. Wenn Sie ein Ersatzteil bestellen oder einen Anspruch geltend machen, halten Sie bitte folgende Angaben bereit:

- Modell des Rehawagens.
- Seriennummer des Rehawagens.
- Teilenummer, Beschreibung und Anzahl der Teile, die Sie benötigen.
- Geben Sie den Grund für das Auswechseln an.

MUSTER

	Sunrise Medical (US) LLC 2842 Business Park Ave, Fresno, CA 93727	YYYY-MM-DD
Type: Voyage Stroller	EC REP Sunrise Medical GmbH Kahlbachring 2-4 69254 Malsch-HD / Germany	SN ZV1-#####
 34 kg	 max 330 mm	 330 mm

TYPE:	Produktbezeichnung/Artikelnummer
	Sitzbreite.
	Sitztiefe.
	Max. Gesamtgewicht.
	UKCA-Kennzeichnung.
	CE-Kennzeichnung.
	Ziehen Sie die Bedienungsanleitung zu Rate.
	Herstellungsdatum.
	Seriennummer.
	Dieses Symbol bedeutet Medizinprodukt.
	Adresse des Herstellers
	Crash getestet nach ISO 7176-19:2008
	Adresse des Importeurs
	EU-Bevollmächtigter für Medizinprodukte
	Verantwortliche Person (Vereinigtes Königreich)
	Adresse des Bevollmächtigten für die Schweiz

XI. GARANTIE

DIESE GARANTIE BESCHRÄNKT IHRE GESETZLICHEN RECHTE IN KEINER WEISE.

Sunrise Medical*, Kahlbachring 2-4, 69254 Malsch / Heidelberg gewährt ihren Kunden weltweit auf ihre Rollstühle eine Garantie zu den folgenden

Garantiebedingungen:

1. Sollte ein Teil oder Teile des Zippie Voyage innerhalb von 24 Monaten nach der Auslieferung an den Kunden Reparaturen oder eine Auswechslung benötigen als Folge eines Herstellungs- und Materialfehlers, wird das Teil bzw. werden die Teile repariert oder kostenlos ausgewechselt.
2. Zur Geltendmachung der Garantie benachrichtigen Sie umgehend den Sunrise Medical Kundendienst mit genauen Angaben zur Art der Schwierigkeiten. Sollten Sie den Zippie Voyage außerhalb des Zuständigkeitsbereichs des bezeichneten Sunrise Medical Kundendienstes verwenden, wird die Reparatur bzw. die Auswechslung unter den „Garantiebedingungen“ von einem anderen, vom Hersteller bezeichneten Kundendienst ausgeführt. Der Zippie Voyage muss von einem von Sunrise Medical bestimmten Kundendienst (Fachhändler) repariert werden.
3. Auf Teile, die im Rahmen dieser Garantie repariert oder ausgewechselt wurden, gewähren wir gemäß diesen Garantiebedingungen eine Garantie für die verbleibende Garantiefrist für den Zippie Voyage gemäß Punkt 1).
4. Für Ersatzteile, die auf Kosten des Käufers eingebaut werden, gewähren wir 12 Monate Garantie ab dem Einbau nach diesen Garantiebedingungen.
5. Verschleißteile wie Polster, Reifen, Schläuche und ähnliche Teile sind von der Garantie ausgeschlossen. Es sei denn, es liegt eine vorzeitige Abnutzung der Teile vor, die direkt auf einen Herstellungsfehler zurückzuführen sind.
6. Garantieansprüche werden nicht erhoben, wenn eine Reparatur oder das Auswechslen des Zippie Voyage oder eines Teils aus den folgenden Gründen erforderlich ist:
 - a. Das Produkt oder das Teil wurde nicht gemäß den in der Betriebsanleitung und/oder dem Service-Handbuch aufgeführten Empfehlungen des Herstellers gepflegt oder gewartet.
 - b. Es wurde Zubehör verwendet, bei dem es sich nicht um Originalzubehör handelte.
 - c. Der Zippie Voyage oder Teile dessen durch Nachlässigkeit, Unfall oder unsachgemäße Verwendung beschädigt wurden.
 - d. Änderungen/Modifizierungen am Zippie Voyage oder dessen Teilen durchgeführt wurden, die von den technischen Daten des Herstellers abweichen.
 - e. Es wurden Reparaturen durchgeführt, bevor unser Kundendienst über den jeweiligen Sachverhalt informiert wurde.
7. Diese Garantie unterliegt dem Recht des Landes indem das Produkt von Sunrise Medical gekauft worden ist.

* Bedeutet der Standort von Sunrise Medical, von dem das Produkt gekauft wurde.

SUNRISE EST À VOTRE ÉCOUTE

Merci d'avoir choisi un produit Zippie. Nous souhaiterions connaître votre opinion sur ce manuel, sur la sécurité et la fiabilité de votre dispositif et sur la prestation de service de votre revendeur. N'hésitez pas à nous écrire à l'adresse suivante ou à nous appeler au numéro indiqué ci-dessous :

SUNRISE MEDICAL S.A.S
ZAC DE LA VRILLONNERIE
17 RUE MICKAËL FARADAY
37170 CHAMBRAY-LÈS-TOURS
TEL : +33 (0) 2 47 55 44 00
EMAIL: INFO@SUNRISEMEDICAL.FR
WWW.SUNRISEMEDICAL.FR

Merci de nous indiquer votre adresse, Cela nous permettra de vous faire parvenir des informations sur la sécurité, sur les nouveaux produits et sur les options afin de vous faire apprécier plus encore ce matériel de mobilité.

LA RÉPONSE À VOS QUESTIONS

Votre revendeur agréé connaît mieux que quiconque votre produit Zippie et il pourra répondre à la plupart de vos questions concernant la sécurité, l'utilisation et l'entretien.

Remplissez le formulaire ci-dessous et conservez-le précieusement. Il pourra vous servir ultérieurement.

Revendeur : _____

Adresse : _____

Téléphone : _____

Numéro de série : _____ Date d'achat : _____

AUTRES INFORMATIONS UTILES

Tous les composants de ce matériel sont exempts de caoutchouc naturel (latex).

I. INTRODUCTION	66	VIII. MONTAGE ET UTILISATION	78
II. SOMMAIRE	67	A. PLIAGE ET DÉPLIAGE DU CADRE	78
III. VOTRE DISPOSITIF ET SES COMPOSANTS	68	B. ROUES AVANT	79
VOTRE DISPOSITIF ET SES COMPOSANTS	68	C. ROUES ARRIÈRE	79
ZIPPIE VOYAGE AVEC ASSISE COMFORT	68	D. UTILISATION DU FREIN DE STATIONNEMENT	79
IV. AVIS – À LIRE AVANT UTILISATION	69	E. INSTALLATION DU SYSTÈME D'ASSISE	80
A. CHOISIR LE BON DISPOSITIF ET LA BONNE OPTION	69	F. DÉPOSE DU SYSTÈME D'ASSISE	80
SÉCURITÉ	69	G. RÉGLAGE DE L'ANGLE DE BASCULE	81
B. CONSULTEZ CE MANUEL RÉGULIÈREMENT	69	H. RÉGLAGE DE L'INCLINAISON DU DOSSIER	82
C. AVERTISSEMENTS	70	I. RÉGLAGE DE L'ANGLE DES GENOUX	82
V. AVERTISSEMENTS D'ORDRE GÉNÉRAL	71	J. LEVIER DE BASCULEMENT	82
A. CHARGE MAXIMALE	71	K. INSTALLATION ET RÉGLAGE DE LA CAPOTE	83
B. APPRENDRE À CONNAÎTRE VOTRE DISPOSITIF	71	L. EXTENSION DE LA POIGNÉE DE POUSSÉE TÉLESCOPIQUE	83
C. RÉDUIRE LE RISQUE D'ACCIDENT	71	IX. RÉGLAGES ET ENTRETIEN RÉALISÉS PAR LE	84
D. LISTE DE CONTRÔLE	71	REVENDEUR	
E. MODIFICATIONS ET RÉGLAGES	71	A. AJUSTEMENTS DE POSITIONNEMENT ET DE CROISSANCE	84
F. CONDITIONS ENVIRONNEMENTALES	71	B. RÉGLAGE DU SIÈGE COMFORT	84
G. UTILISATION SUR ROUTE	72	C. RÉGLAGE DE LA HAUTEUR DES SANGLES D'ÉPAULES :	85
H. SÉCURITÉ A BORD D'UN VÉHICULE MOTORISÉ	72	D. RÉGLAGE DU REPOSE-PIED :	86
I. CONSIGNES À L'ATTENTION DES ACCOMPAGNATEURS	72	E. RÉGLAGE DE LA HAUTEUR ENTRE LE SOL ET LE SIÈGE	86
		F. RÉGLAGE DE LA CEINTURE PELVIENNE DE POSITIONNEMENT:	87
VI. AVERTISSEMENTS : CHUTES ET	73	G. SUPPORT POUR TRONC : HARNAIS	89
BASCULEMENTS		H. SUPPORTS LATÉRAUX POUR LE TRONC ET LA TÊTE	89
A. CENTRE DE GRAVITÉ	73	I. SUPPORTS ANTÉRIEURS	90
B. S'HABILLER OU SE CHANGER	73	J. GUIDE-HANCHE (EN OPTION) :	90
C. OBSTACLES	73	K. INSTALLATION ET RÉGLAGE DE LA TABLETTE	91
D. SE METTRE EN EXTENSION OU SE PENCHER	73	L. RÉGLAGE DE LA LANIÈRE DE MAINTIEN DU PIED (EN OPTION):	91
S. RAMPES D'ACCÈS, PENTES ET INCLINAISONS	73	M. RÉGLAGE DES CALE-PIEDS (EN OPTION) :	91
F. TRANSFERTS	73	N. SUPPORTS POUR APPAREIL RESPIRATOIRE/BATTERIE (EN	92
G. FRANCHISSEMENT DE TROTTOIRS OU DE MARCHES	74	OPTION) :	92
H. MONTER DES ESCALIERS	74	O. PLATEFORME AVANT OU ARRIÈRE (EN OPTION) :	92
I. DESCENDRE DES ESCALIERS	74	P. POTENCE POUR PERFUSION / SUPPORT POUR BOUTEILLE	92
J. ESCALATORS	74	D'OXYGÈNE (EN OPTION) :	92
VII. AVERTISSEMENTS – COMPOSANTS ET	75	Q. PORTE-GOBELET ET CROCHET (EN OPTION) :	92
OPTIONS		X. ENTRETIEN	93
A. CHÂSSIS	75	A. REMARQUES	93
B. TABLETTE DE SOUTIEN POUR MEMBRES SUPÉRIEURS	75	B. NETTOYAGE	93
C. FIXATIONS	75	C. CONSEILS D'ENTREPOSAGE	94
D. REPOSE-PIEDS	75	D. RÉUTILISATION / MISE AU REBUT / RECYCLAGE DES MATÉRIEAUX	94
E. PNEUS ET ROUES	75	E. COMMANDER DES PIÈCES DÉTACHÉES	95
F. FREIN DE STATIONNEMENT	76	XI. GARANTIE	96
G. SAC DE RANGEMENT SOUS LE SIÈGE	76	XI. GARANTIE	96
H. PORTE-ACCESSOIRES	76		
I. CAPOTE	76		
J. SYSTÈMES D'ASSISE	76		
K. CEINTURES PELVIENNES DE POSITIONNEMENT	76		
L. COUSSINS	76		
M. BASCULEMENT ET INCLINAISON	76		
N. OPTION TRANSIT ET UTILISATION	76		

VOTRE DISPOSITIF ET SES COMPOSANTS



1. Châssis pliant
2. Fixation pour tablette
3. Élément de fixation arrière pour accroches taxi (en option)
4. Gâchettes de pliage
5. Pneu arrière
6. Roue à déverrouillage rapide
7. Panier de rangement sous le fauteuil
8. Élément de fixation avant pour accroche taxi (en option)
9. Système de blocage de la roue avant
10. Roue avant 7"
11. Palette repose-pieds réglable
12. Levier de réglage du repose-pied
13. Cale de hanche réglable
14. Barre de maintien
15. Cale tronc réglable
16. Support de tête réglable
17. Système d'assise Comfort
18. Fixation pour capote
19. Réglage de l'angle de la poignée de poussée
20. Capote

ZIPPIE VOYAGE AVEC ASSISE CONFORT

Amplitudes d'ajustement :

Bascule	+5° à - 30°	
Inclinaison	90° à 180°	
Hauteur de poignée de poussée	39-¼" à 47-¾"	(820 mm à 1210 mm)
Profondeur du siège	8" - 13"	(200 mm à 330 mm)
Largeur du siège (au niveau des hanches)	9,5" - 12"	(240 mm à 300 mm)
Hauteur du dossier	16,1" - 24"	(410 mm à 610 mm)

Amplitude de réglage longueur de jambe / Repose-pied

Jambe inférieure/pied	6,1" - 12,2"	(155 mm - 310 mm)
Réglage d'inclinaison du repose-pieds	50°	

REMARQUE :

- Certaines caractéristiques décrites peuvent ne pas être disponibles sur certains dispositifs ou en conjonction avec d'autres options. Pour de plus amples renseignements, n'hésitez pas à contacter votre revendeur. Il pourra vous fournir des informations sur les accessoires disponibles.
- Le poids des composants individuels ne doit pas excéder les charges maximales indiquées ci-contre.
- La charge totale maximale combinée ne doit pas excéder 77 kg.
- Le Zippie Voyage est considéré être conforme à la norme ISO 7176-8.

Dimensions et poids

Largeur totale	24-½"	(615 mm)
Hauteur entre le sol et le siège	25"-23,5"-22,5"	(640 mm - 600 mm - 575 mm)
Longueur totale	42,5"	(1080 mm)
Hauteur totale	32" - 48"	(810-1220 mm)
Longueur du fauteuil plié	35-½"	(800 mm)
Hauteur du fauteuil plié	12,25"	(310 mm)
Largeur du fauteuil plié	23,6"	(625 mm)
Rayon de braquage	43,3"	(1100 mm)
Max. Pente pour frein de stationnement	9°	9°
Max. Poids maximum de l'utilisateur	75 lbs	(34 kg)
Poids total	42,5 lbs	(22,5 kg)
Poids de la base	28 lbs	(12,7 kg)
Poids du siège	21,5 lbs	(9,8 kg)

Charges maximales

Tablette sous châssis	50 lbs	(22,5 kg)
Plateforme avant	50 lbs	(22,5 kg)
Plateforme arrière	45 lbs	(20 kg)
Port-oxygène	10 lbs	(4,5 kg)
Porte-gobelet	1 lb	(0,5 kg)
Sac de rangement sous le siège	15 lbs	(7 kg)
Support vertical pour appareil respiratoire (Montage arrière)	15 lbs	(7 kg)

A. CHOISIR LE BON DISPOSITIF ET LA BONNE OPTION SÉCURITÉ

Sunrise propose une vaste gamme de fauteuils roulants afin de répondre aux divers besoins des enfants. Cependant, le choix final quant au type de dispositif, aux options et aux réglages, repose exclusivement sur votre décision et sur les conseils du professionnel de santé qui vous suit. Le choix du bon équipement et de la configuration optimale dépend des facteurs suivants :

1. Le handicap de l'enfant, sa force, son équilibre, sa coordination et les limites de ses capacités.
2. La nature des dangers que devrez surmonter lors de l'utilisation quotidienne de la poussette (chez vous et au travail) et dans les endroits où vous serez amené à l'utiliser.
3. Le besoin d'options supplémentaires pour la sécurité et le confort de l'enfant.

USAGE PREVU : La poussette Zippie Voyage est prévue pour un usage médical afin de permettre à un patient de moins de 34 kg réduit à la position assise de se déplacer grâce à un accompagnateur (pas d'auto-propulsion). Ce produit ne convient pas pour la course à pied, le patinage ou autres activités similaires.

DURÉE DE VIE : La durée de vie anticipée de ce produit est de 5 années.

Le système de gestion de SUNRISE MEDICAL est certifié ISO 13485 et ISO 14001.

Chez SUNRISE MEDICAL, nous avons obtenu la certification ISO-13485, qui atteste de la qualité de nos produits à chaque étape, de la R&D à la production. Ce produit est conforme aux exigences des réglementations de l'Union européenne et du Royaume-Uni.

Sélectionner le bon fauteuil nécessite de prendre en compte des éléments tels que la taille de l'utilisateur, son poids, sa constitution physique et psychologique, son âge, son mode de vie et son environnement.

REMARQUE : Conseil d'utilisation générale. Le non-respect des présentes instructions peut causer des blessures physiques, l'endommagement du matériel ou la dégradation de l'environnement.

Avis aux utilisateurs et/ou patients : tout incident grave survenu en relation avec le dispositif doit être signalé au fabricant et à l'autorité compétente de l'État membre dans lequel l'utilisateur et/ou le patient est établi.



En sa qualité de fabricant, SUNRISE MEDICAL, déclare que ce produit sont conformes au règlement sur les dispositifs médicaux (2017/745).

Adaptations spéciales pour B4Me

Afin de vous assurer que votre produit B4Me fonctionne de manière performante comme prévu par le fabricant, Sunrise Medical vous recommande vivement de lire et de comprendre toutes les informations utilisateur fournies avec votre produit B4Me avant de l'utiliser pour la première fois. Sunrise Medical recommande également que les informations utilisateur ne soient pas jetées après leur lecture, mais qu'elles soient conservées en toute sécurité afin d'être consultées ultérieurement.

Combinaison de dispositifs médicaux

Il est possible de combiner le présent dispositif médical avec un ou plusieurs autres dispositifs ou produits. Vous trouverez sur www.Sunrisemedical.fr toutes les informations utiles sur les combinaisons possibles. Toutes les combinaisons présentées ont été validées et sont conformes aux exigences générales en matière de sécurité et de performances énoncées dans le règlement 2017/745 relatif aux dispositifs médicaux.

Vous trouverez des conseils sur la combinaison, relatifs par exemple au montage, sur www.SunriseMedical.fr

Du fait de ses diverses variantes d'adaptation, il peut être utilisé par les personnes qui ne peuvent pas marcher ou ont une mobilité limitée en raison de :

- Une paralysie
- La perte d'un membre (amputation de la jambe)
- La difformité d'un membre
- Des contractures/blessures aux articulations
- Pour les maladies telles que les déficiences cardiaques et circulatoires, les troubles de l'équilibre et les troubles moteurs d'origine musculosquelettique/neuromusculosquelettique.

La poussette ne doit pas être utilisée sans le parent/soignant.

REMARQUE :

Il convient de noter que l'utilisation d'un fauteuil roulant exige un certain degré de capacités cognitives, physiques et visuelles. L'utilisateur doit être en mesure d'évaluer les conséquences de ses actions pendant l'utilisation du fauteuil roulant et, si nécessaire, les corriger. Ces capacités et l'utilisation sécurisée de composants supplémentaires fixés au fauteuil roulant ne peuvent être évaluées par le fabricant, Sunrise Medical. Nous déclinons toute responsabilité pour tout dommage découlant d'une telle situation.

Veillez prendre connaissance des consignes d'utilisation relatives au fauteuil roulant et aux composants accessoires embarqués. Communiquez à l'utilisateur les informations utiles sur l'utilisation sécurisée du fauteuil roulant et des composants accessoires embarqués. Communiquez à l'utilisateur les avertissements spécifiques qu'il est important de connaître et de respecter.

B. CONSULTEZ CE MANUEL RÉGULIÈREMENT

Avant d'utiliser votre dispositif, vous et toutes les personnes susceptibles de vous assister, devez lire ce manuel intégralement et respecter toutes les consignes. Lisez régulièrement les avertissements et les consignes contenus dans ce manuel jusqu'à ce que vous les ayez bien assimilés.

C. AVERTISSEMENTS

Le mot « Avertissement » fait référence aux risques ou pratiques dangereuses pouvant entraîner de graves blessures, voire être fatals, pour vous ou toute autre personne. Les « avertissements » sont classés en trois sections principales :

1. V — AVERTISSEMENTS D'ORDRE GÉNÉRAL

Liste de contrôle de sécurité et d'un récapitulatif des risques dont vous devez prendre connaissance avant d'utiliser ce dispositif.

2. VI — AVERTISSEMENTS — CHUTES ET BASCULEMENTS

Conseils pour éviter de tomber ou de basculer pendant l'utilisation quotidienne de la poussette.





3. VII — AVERTISSEMENTS — UTILISATION EN TOUTE SÉCURITÉ

Conseils pratiques pour une utilisation sûre de la poussette.

4. VIII — AVERTISSEMENTS – COMPOSANTS ET OPTIONS

Présentation des composants de la poussette et conseils relatifs à la sélection des options utiles pour votre sécurité. N'hésitez pas à demander à votre revendeur agréé et au professionnel de santé qui vous suit de vous conseiller sur les meilleures options pour une utilisation sûre de votre dispositif.

REMARQUE : Le cas échéant, d'autres remarques relatives à la sécurité apparaîtront également dans différentes sections du manuel. Ces remarques, ainsi que leur signification, sont indiquées dans le tableau ci-dessous. Respectez toutes les remarques relatives à la sécurité. À défaut de quoi, vous pourriez tomber, basculer ou perdre le contrôle de votre équipement, ce qui pourrait entraîner de graves blessures, pour vous et/ou toute autre personne.

Terme	Définition
 DANGER!	Indication d'un risque potentiel de blessures sérieuses ou de mort en cas de non-respect des consignes
 AVERTISSEMENT!	Indication d'un risque potentiel de blessure en cas de non-respect des consignes
 ATTENTION!	Indication que le matériel peut être endommagé si le conseil fourni n'est pas suivi
REMARQUE:	Conseil d'ordre général ou pratique recommandée
	Référence faite à d'autres manuels

A. CHARGE MAXIMALE**⚠ AVERTISSEMENT**

1. NE dépassez JAMAIS la charge maximale de 34 kg pour le poids de l'utilisateur. Le dépassement de la charge maximale peut entraîner un risque de chute, de basculement ou de perte de contrôle de la poussette, susceptible d'entraîner de graves blessures pour l'utilisateur et/ou toute autre personne.
2. N'accrochez jamais des objets pesant plus de 2,3 kg à la poignée de la poussette ou au dossier. Cela pourrait faire basculer la poussette ou entraîner une perte de contrôle de celle-ci.

B. APPRENDRE À CONNAÎTRE VOTRE DISPOSITIF**⚠ AVERTISSEMENT**

Lisez attentivement toutes les instructions avant d'utiliser cette poussette. À cet égard, le professionnel de santé qui suit l'enfant doit vous apprendre à l'utiliser en toute sécurité.

C. RÉDUIRE LE RISQUE D'ACCIDENT**⚠ AVERTISSEMENT**

1. Avant d'utiliser votre dispositif seul, le professionnel de santé qui vous suit vous aura appris à le manipuler en toute sécurité.
2. Entraînez-vous à faire monter et descendre votre enfant afin d'identifier vos limites et de déterminer les capacités physiques de l'enfant. N'hésitez pas à demander de l'assistance pour éviter les risques de chute ou de basculement.
3. Vous devez développer vos propres méthodes d'utilisation, adaptées à vos besoins et à vos capacités physiques.
4. N'essayez JAMAIS d'effectuer une nouvelle manœuvre seul, avant de vous être assuré qu'elle ne comporte aucun risque.
5. Familiarisez-vous avec les lieux que vous prévoyez de fréquenter, identifiez les dangers et apprenez à les éviter.

D. LISTE DE CONTRÔLE**⚠ AVERTISSEMENT**

Avant chaque utilisation du fauteuil :

1. Réglez le frein de stationnement afin de garantir une performance optimale. Enclenchez toujours le frein de stationnement avant de faire monter ou descendre un enfant de la poussette.
2. Vérifiez que la poussette avance sans gêne et que tous ses composants fonctionnent normalement. Vérifiez l'éventuelle présence de bruits et de vibrations et assurez-vous que rien n'entrave la manœuvrabilité de la poussette (éventuellement causée par des fixations desserrées ou un problème mécanique).
3. Faites réparer toute éventuelle anomalie observée. Votre revendeur agréé peut vous aider à identifier et à régler les problèmes.
4. Vérifiez que les pneus/essieux sont bien en place et verrouillés des deux côtés. S'ils ne sont pas verrouillés, la roue risque de se détacher et d'entraîner une chute.
5. Ne placez jamais un enfant à bord de la poussette avant de l'avoir complètement déplié et verrouillé.
6. Après avoir réglé la poignée à la hauteur désirée, vérifiez de l'avoir bien verrouillée.
7. Utilisez toujours une ceinture pelvienne de positionnement.
8. Ne laissez jamais votre enfant sans surveillance.
9. **RISQUE D'ÉTOUFFEMENT** – Ce fauteuil est composé de petites pièces qui, dans certaines conditions, peuvent présenter un risque d'étouffement pour les jeunes enfants.

E. MODIFICATIONS ET RÉGLAGES**⚠ AVERTISSEMENT**

1. Consultez le professionnel de santé qui suit votre enfant pour qu'il procède à l'ajustement des composants d'assise et des accessoires au fur et à mesure que votre enfant grandit.
2. Toute modification ou utilisation non autorisée de pièces n'ayant pas été fournies ou approuvées par Sunrise Medical peut modifier la structure de votre produit. Ceci aura pour effet d'annuler la validité de la garantie et peut s'avérer être très dangereux.

F. CONDITIONS ENVIRONNEMENTALES

⚠ AVERTISSEMENT

1. La poussette a été conçue pour une utilisation sur des surfaces fermes et planes telles que du béton, de l'asphalte, de la moquette et les sols en intérieur.
2. Soyez d'autant plus vigilant si vous devez utiliser la poussette sur une surface mouillée ou glissante. Si vous n'êtes pas sûr de vous, demandez de l'aide.
3. N'utilisez pas la poussette dans du sable, sur un sol mou ou sur un terrain accidenté.
4. Si la poussette est exposé au soleil pendant une période prolongée, certaines parties (par ex. le châssis, les repose-jambes, les freins) peuvent chauffer (>41°C).
5. Soyez très vigilants avec les risques d'incendie, surtout avec les cigarettes allumées. Tenez la poussette éloignée de toute source d'inflammation. Les toiles du dossier et du siège peuvent prendre feu.

G. UTILISATION SUR ROUTE

⚠ AVERTISSEMENT

1. Dans la mesure du possible, évitez d'utiliser la poussette sur la route.
2. Il convient d'utiliser la poussette sur les trottoirs et de respecter la réglementation applicable aux piétons.
3. Soyez conscient des dangers que représentent les véhicules motorisés dans les parkings.
4. La nuit ou lorsque l'éclairage est faible, utilisez des bandes ou des vêtements réfléchissants pour bénéficier d'une visibilité optimale.
5. Si vous devez traverser la route, attendez d'avoir établi un contact visuel avec les automobilistes avant de vous engager pour vous assurer qu'ils vous ont bien vu. En cas de doute, laissez-les passer et n'avancez que lorsque la voie est libre.
6. Sur la base des essais ANSI/RESNA réalisés, Sunrise Medical recommande l'utilisation de roues ayant un diamètre minimum de 127 mm s'il est prévu que le fauteuil doit régulièrement franchir des obstacles allant jusqu'à 12,7 mm.
7. Votre fauteuil a été conçu pour une utilisation sur des surfaces fermes et planes telles que du béton, de l'asphalte, de la moquette et les sols en intérieur.
8. N'utilisez pas votre fauteuil dans le sable, sur un sol mou ou sur un terrain rocailleux.
9. En cas d'utilisation du fauteuil sur un terrain accidenté et non conforme à la description fournie ci-dessus, les vis et boulons risquent de se desserrer et d'endommager les roues et axes, ce qui, à terme, représentera un risque de chute, de basculement ou de perte de contrôle du fauteuil pour l'utilisateur.

Si vous ne respectez pas ces consignes, vous risquez de tomber, de basculer ou de perdre le contrôle de votre fauteuil, ce qui pourrait entraîner de graves blessures, pour vous ou toute autre personne.

H. SÉCURITÉ A BORD D'UN VÉHICULE MOTORISÉ

⚠ AVERTISSEMENT

Déterminez si la poussette est dotée de l'option Transit ou pas. Cela est indiqué sur la couverture du présent manuel. Si votre dispositif n'est PAS équipé de l'option Transit :

1. N'utilisez JAMAIS la poussette comme siège à bord d'un véhicule motorisé.
2. Placez TOUJOURS l'utilisateur de la poussette dans un siège prévu à cet effet pendant le transport.
3. Attachez TOUJOURS l'utilisateur avec les ceintures de sécurité ou tout autre système de retenue adéquat.
4. En cas d'accident ou d'arrêt brutal, l'utilisateur pourrait être éjecté de la poussette. Les ceintures pelviennes de positionnement de la poussette ne sont pas prévues à cet effet et pourraient causer des blessures supplémentaires.
5. Ne placez JAMAIS le siège de la poussette sur le siège avant d'un véhicule. Cela pourrait entraîner des blessures graves, voire le décès de l'utilisateur et du conducteur.
6. Immobilisez TOUJOURS la poussette inoccupée pour l'empêcher de rouler ou de glisser pendant son transport à bord d'un véhicule.
7. N'utilisez jamais un fauteuil qui se trouvait à bord d'un véhicule accidenté. Si la poussette est équipée de l'option Transit, reportez-vous à la section VII « Option Transit et utilisation ».

I. CONSIGNES À L'ATTENTION DES ACCOMPAGNATEURS

⚠ AVERTISSEMENT

1. Demandez au professionnel de santé qui suit votre enfant de vous apprendre les méthodes sûres et appropriées à vos capacités et à celles de l'enfant.
2. Pour éviter de vous faire mal au dos, adoptez une bonne position et les gestes adéquats lorsque vous soulevez ou inclinez votre enfant.
3. Rappelez à l'enfant qu'il doit se pencher en arrière lorsque vous inclinez la poussette vers l'arrière.
4. Lorsque vous descendez un trottoir ou une marche, descendez le fauteuil lentement et en souplesse.
5. Ne laissez JAMAIS votre enfant sans surveillance.
6. Lorsque vous effectuez des réglages sur la poussette, enclenchez toujours les freins de stationnement et verrouillez les roues avant pour éviter tout déplacement accidentel.
7. L'accompagnateur doit toujours tenir la poussette par les parties fixes et non pas par les parties amovibles, comme le repose-pied.
8. Ne soulevez jamais la poussette avec l'enfant à bord.

A. CENTRE DE GRAVITÉ**⚠ AVERTISSEMENT**

Les équipements de mobilité sont fabriqués pour garantir stabilité et performance. Le point de chute de la poussette vers l'avant, l'arrière ou latéralement dépend de son centre de gravité et de sa stabilité. Les éléments suivants ont également un impact sur le centre de gravité de la poussette:

- La hauteur du siège et son inclinaison.
- L'angle d'inclinaison du dossier
- Le changement de position, de posture ou de répartition du poids de l'occupant.
- Le déplacement sur une rampe d'accès ou une pente.
- L'utilisation d'un sac à dos ou autre et le cumul de poids.
- La présence d'un appareil respiratoire, de batteries, d'une bouteille d'oxygène et de toute autre option, ainsi que le poids cumulé ajouté par ces options.

Pour garantir un centre de gravité optimal et un bon équilibre :

- N'hésitez pas à demander à votre revendeur agréé et/ou au professionnel de santé qui vous suit de vous aider à régler correctement la poussette.
- Contactez votre revendeur agréé et/ou au professionnel de santé qui vous suit AVANT de procéder à un quelconque réglage ou à une modification de la poussette.

B. S'HABILLER OU SE CHANGER**⚠ AVERTISSEMENT**

Le centre de gravité de l'enfant peut se déplacer si vous habillez ou changez ses vêtements pendant qu'il est assis à bord de sa poussette.

Pour réduire le risque de chute ou de basculement pendant que vous changez les vêtements ou la couche de votre enfant :

- Faites tourner les roues avant jusqu'à ce qu'elles soient orientées vers l'avant.
- Enclenchez le frein de stationnement.

C. OBSTACLES**⚠ AVERTISSEMENT**

Les obstacles et imperfections de la route (telles que les nids-de-poule et les trottoirs défoncés) peuvent endommager la poussette et entraîner la chute, le basculement ou la perte de contrôle.

Pour réduire les risques :

- Soyez attentif au moindre signe de danger, regardez loin devant vous lorsque vous poussez la poussette.
- Chez vous, assurez-vous que les sols et les surfaces sont bien de niveau et ne présentent aucun obstacle.
- Installer une rampe d'accès aux portes d'entrée. Vérifiez qu'il n'y a aucun dénivelé au bas de la rampe d'accès.

D. SE METTRE EN EXTENSION OU SE PENCHER**⚠ AVERTISSEMENT**

À chaque fois que votre enfant se penche, il déplace le centre de gravité de sa poussette. Il pourrait tomber ou faire basculer la poussette.

- Ne laissez JAMAIS votre enfant se mettre en extension et se pencher si cela l'oblige à se lever du siège.
- Si votre enfant tente d'attraper un objet, rapprocher le fauteuil le plus près possible de l'objet et faites tourner les roues avant jusqu'à ce qu'elles soient le plus vers l'avant possible.

REMARQUE : Pour ce faire : Pour cela, avancez la poussette au-delà de l'objet que l'enfant souhaite attraper, puis faites marche arrière.

E. RAMPES D'ACCÈS, PENTES ET INCLINAISONS**⚠ AVERTISSEMENT**

Le déplacement du fauteuil sur une surface inclinée (rampe d'accès ou pente) modifie le centre de gravité du fauteuil. Voici quelques rappels en matière de sécurité :

1. N'utilisez pas cet équipement sur une pente de plus de 10 %. (Une pente à 10 % correspond à un mètre de dénivellation tous les dix mètres.)
2. Ne tournez pas et ne changez pas de direction lorsque vous êtes sur une pente ou une rampe d'accès.
3. Pour la sécurité de votre enfant, assurez-vous que les rampes d'accès chez vous et sur votre lieu de travail sont conformes aux réglementations locales en vigueur.
4. Restez toujours au CENTRE de la rampe d'accès.
5. Utilisez des rampes dotées de glissières de sécurité (ou de bordures surélevées d'au moins 76 mm).
6. En pente ou sur une rampe d'accès, avancez toujours bien droit.
7. Ne vous arrêtez jamais en plein milieu d'une pente très inclinée.
8. Faites attention aux dénivelés en bas des pentes ou des rampes.
9. N'utilisez pas le frein de stationnement pour ralentir votre course ou immobiliser le fauteuil.
10. Faites attention aux surfaces mouillées ou glissantes, surtout en pente.
11. N'inclinez pas le système d'assise vers l'arrière lorsque vous montez une pente.
12. Si vous n'êtes pas sûr de votre stabilité, demandez de l'aide autour de vous.

F. TRANSFERTS**⚠ AVERTISSEMENT**

1. Travaillez avec le professionnel de santé qui vous suit pour apprendre des méthodes sûres de transfert et de levage.
2. Faites-vous aider jusqu'à ce que vous sachiez faire monter et descendre seul votre enfant de la poussette en toute sécurité.
3. Placez la poussette de votre enfant le plus près possible de l'endroit où vous souhaitez le transférer.
4. Faites tourner les roues avant jusqu'à ce qu'elles soient orientées vers l'avant.
5. Avant de faire monter ou descendre votre enfant de la poussette, pensez à enclencher le frein de stationnement. La poussette sera ainsi stabilisée durant le transfert.
6. Lorsque vous installez votre enfant sur la poussette, veillez à le placer le plus au fond possible du siège. Cela réduira le risque de voir le fauteuil basculer et/ou s'éloigner.

G. FRANCHISSEMENT DE TROTTOIRS OU DE MARCHES**⚠ AVERTISSEMENT**

Suivez les instructions ci-dessous pour le franchissement de trottoirs ou de marches. Ne tentez pas de franchir un trottoir ou une marche de plus de 100 mm de haut si le fauteuil est équipé d'une plateforme pour accessoire ou d'une planche à roulette. Cela pourrait blesser l'accompagnateur, déstabiliser le fauteuil et le faire basculer, risquant de l'endommager.

Pour descendre un trottoir ou une marche EN MARCHÉ ARRIÈRE :

1. Restez derrière la poussette.
2. Avant d'atteindre le bord du trottoir ou de la marche, faites pivoter le dispositif et tirez-le en arrière.
3. Tout en regardant par-dessus votre épaule, reculez lentement jusqu'à ce que vous ayez descendu le trottoir ou la marche.
4. Tirez le dispositif vers vous jusqu'à ce que les roues arrière atteignent le bord du trottoir ou de la marche. Laissez ensuite les roues arrière descendre lentement le long du trottoir ou de la marche.
5. Une fois que les roues arrière sont en bas du trottoir ou de la marche, inclinez le fauteuil en son point d'équilibre. Les roues avant doivent décoller.
6. Maintenez la poussette en équilibre et reculez de quelques pas. Faites pivoter la poussette et laissez les roues avant retomber délicatement au sol.

Pour monter un trottoir ou une marche EN MARCHÉ AVANT :

1. Restez derrière la poussette.
2. Tout en faisant face au trottoir, faites basculer la poussette sur ses roues arrière de façon à ce que les roues avant puissent franchir le trottoir ou la marche.
3. Avancez et placez les roues avant sur le haut du trottoir ou de la marche, après vous être assuré d'en avoir bien franchi le bord.
4. Continuez à avancer jusqu'à ce que les roues arrière touchent le trottoir ou la marche. Soulevez la poussette et faites reposer les roues arrière sur le haut du trottoir ou de la marche.

H. MONTER DES ESCALIERS**⚠ AVERTISSEMENT**

1. Ne tentez pas de franchir les marches d'un escalier si la poussette est équipée d'un porte-accessoire.
2. Deux personnes au moins doivent être présentes pour monter une poussette et son occupant en haut d'un escalier.
3. Lorsque l'occupant est porté dans sa poussette pour monter un escalier, il doit **TOURNER LE DOS** à l'escalier.
4. Levez **TOUJOURS** la poussette en l'attrapant par le châssis et non pas par les repose-pieds, les roues, la tablette ou tout autre organe détachable de la poussette.
5. La personne située à l'arrière dirige la manœuvre. C'est elle qui incline le fauteuil en son point d'équilibre.
6. Une deuxième personne placée à l'avant tient fermement la poussette par une partie non amovible du châssis avant et soulève la poussette.
7. Les accompagnateurs doivent franchir une marche à la fois jusqu'à ce qu'ils arrivent sur le palier.

I. DESCENDRE DES ESCALIERS**⚠ AVERTISSEMENT**

1. Ne tentez pas de descendre des marches si la poussette est équipée d'un porte-accessoire.
2. Deux personnes au moins doivent être présentes pour descendre une poussette et son occupant en bas d'un escalier.
3. Lorsque l'occupant est porté dans sa poussette pour descendre un escalier, il doit **FAIRE FACE** à l'escalier.
4. Levez **TOUJOURS** la poussette en l'attrapant par le châssis et non pas par les repose-pieds, les roues, la tablette ou tout autre organe détachable de la poussette.
5. La personne située à l'arrière dirige la manœuvre. Elle incline la poussette en son point d'équilibre et le fait avancer jusqu'au bord de la marche du haut.
6. La seconde personne se tient sur la troisième marche en partant du haut et attrape le châssis. Elle descend le dispositif une marche à la fois en laissant à chaque fois les roues arrière reposer sur le rebord de la marche.
7. Les accompagnateurs doivent descendre une marche à la fois jusqu'à ce qu'ils arrivent sur le palier.

J. ESCALATORS**⚠ AVERTISSEMENT**

N'utilisez JAMAIS ce fauteuil sur un escalator, même en présence d'un accompagnateur.

⚠ AVERTISSEMENT

Ce fauteuil a été testé et approuvé avec des accessoires Sunrise. L'utilisation d'accessoires n'ayant pas été expressément approuvés par Sunrise Medical annulera la garantie et peut représenter un risque pour la sécurité de l'enfant et de son accompagnateur.

A. CHÂSSIS**⚠ AVERTISSEMENT**

Avant chaque utilisation, inspectez les câbles et actionnez/ relâchez les boutons afin de vérifier leur bon état de fonctionnement. Vérifiez d'avoir bien verrouillé le châssis avant d'installer votre enfant.

B. TABLETTE DE SOUTIEN POUR MEMBRES SUPÉRIEURS**⚠ AVERTISSEMENT**

Avant d'installer ou de retirer une tablette, pensez à orienter les roues avant vers l'avant du fauteuil et à enclencher le frein de stationnement. Cela maintient le fauteuil immobilisé pendant l'installation de la tablette. La tablette peut supporter une charge de 23 kg.

1. Ne soulevez pas la poussette fauteuil en le saisissant par les montants de la tablette.
2. Vérifiez TOUJOURS que la tablette est bien enclenchée après l'avoir installée sur la poussette.

C. FIXATIONS**⚠ AVERTISSEMENT**

La plupart des vis et écrous de cette poussette sont des fixations spéciales ultra résistantes. Il est nécessaire de les inspecter et de les entretenir périodiquement pour garantir la sécurité de l'occupant et de son accompagnateur.

1. La plupart des réglages nécessitant le retrait des éléments de fixation doivent être réalisés par un professionnel.
2. N'utilisez que des fixations fournies par un revendeur agréé (ou de type et de résistance similaire, tels qu'indiqués sur les têtes).
3. Veillez à serrer correctement les éléments de fixation : ni trop, ni pas assez. Si les vis ou les écrous sont desserrés, resserrez-les le plus rapidement possible.

D. REPOSE-PIEDS**⚠ AVERTISSEMENT**

1. Le réglage du repose-pied peut dans certaines positions interférer avec la partie basse du châssis. Cette interférence peut entraver le confort et le soutien efficace de l'occupant de la poussette.
2. Évitez d'ajouter du poids supplémentaire sur le repose-pied. La poussette pourrait basculer vers l'avant (ou vers l'arrière si le système d'assise a été inversé).
3. Ne soulevez jamais cette poussette par les repose-pieds.
4. Ne prenez pas appui sur la palette pour monter ou descendre de la poussette. Le fauteuil risque de basculer vers l'avant lorsque vous vous tenez debout sur la palette.
5. Posez vos pieds au sol lorsque vous montez ou descendez de la poussette.

E. PNEUS ET ROUES**⚠ AVERTISSEMENT**

1. L'inspection annuelle des pneus, destinée à déceler toute usure excessive, est recommandée pour garantir une bonne traction dans tous les types d'environnement.
2. Lors de l'installation de l'ensemble roue/pneu avant ou arrière, glissez la roue dans le récepteur d'essieu jusqu'à ce que le bouton à libération rapide sorte et que vous entendiez un 'clac'. Votre roue est maintenant bien insérée et verrouillée.
3. En cas d'endommagement d'un pneu, contactez votre professionnel de santé pour obtenir un pneu de rechange.

F. FREIN DE STATIONNEMENT**⚠ AVERTISSEMENT**

N'utilisez jamais le frein de stationnement pour ralentir ou arrêter la poussette en déplacement. Pour empêcher les roues arrière de tourner lorsque vous faites monter ou descendre l'enfant de la poussette ou déposer/installer le système d'assise, serrez toujours le frein de stationnement.

G. SAC DE RANGEMENT SOUS LE SIÈGE**⚠ AVERTISSEMENT**

Le sac de rangement de la poussette est prévu pour une charge supplémentaire de 7 kg. Un poids excessif peut générer une situation instable, voire dangereuse.

H. PORTE-ACCESSOIRES**⚠ AVERTISSEMENT**

Les porte-accessoires ne sont pas destinés à supporter un poids excessif ou des accessoires non approuvés par Sunrise Medical. Cela peut générer une situation instable, voire dangereuse pour l'occupant et son accompagnateur.

I. CAPOTE**⚠ AVERTISSEMENT**

Lorsque vous utilisez la capote, inspectez les fixations pour vérifier qu'elle est solidement maintenue en place.

J. SYSTÈMES D'ASSISE**⚠ AVERTISSEMENT**

NE changez PAS le système d'assise ou tout autre composant de votre poussette sans avoir préalablement consulté le professionnel de santé qui vous suit.

K. CEINTURES PELVIENNES DE POSITIONNEMENT**⚠ AVERTISSEMENT**

Les ceintures de positionnement NE SERVENT QU'À maintenir la posture de l'enfant.

1. Assurez-vous que l'occupant ne glisse pas du siège de la poussette. Les ceintures doivent être bien ajustées sans être trop serrées, pour ne pas gêner la respiration. Vous devez être capable de glisser votre main ouverte, à plat, entre la ceinture et l'occupant.
2. Utilisez des ceintures de positionnement exclusivement avec des patients conscients. Vous devez être capable de détacher les ceintures en cas d'urgence.
3. N'utilisez JAMAIS les ceintures de positionnement :
 - Comme système de retenue.
 - Avec un enfant comateux, agité ou sujet à des crises d'épilepsie.
 - Comme système de retenue dans un véhicule motorisé - à l'exception de celles comprises avec l'option Transit.

L. COUSSINS**⚠ AVERTISSEMENT**

L'assise de cette poussette a été conçue pour assurer le confort d'assise et le maintien postural de l'occupant. Consultez le professionnel de santé qui vous suit avant de modifier le moindre composant du système d'assise.

M. BASCULEMENT ET INCLINAISON**⚠ AVERTISSEMENT**

Avant d'utiliser les leviers d'inclinaison d'assise ou de dossier, prenez les précautions utiles pour éviter de modifier l'équilibre et la stabilité de la poussette. AVANT d'effectuer ce type de réglage, veuillez prendre connaissance des recommandations suivantes :

1. L'enfant doit être installé en toute sécurité à bord de la poussette.
2. Vous devez faire pivoter les roues avant vers l'avant et serrer le frein de stationnement.
3. Vérifiez TOUJOURS que la poussette est stable et de niveau avant et après avoir ajusté le basculement de l'assise et/ou l'inclinaison du dossier.
4. Soutenez TOUJOURS le système d'assise avant de libérer le levier d'inclinaison.

N. OPTION TRANSIT ET UTILISATION Fig. 1.0 - Fig. 3.0

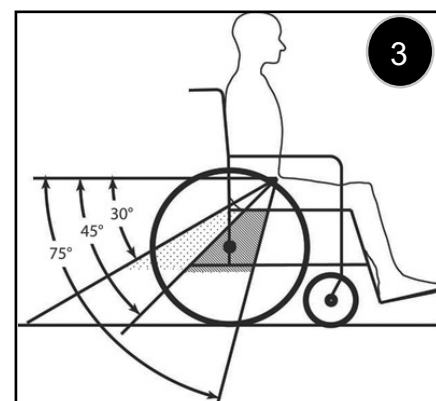
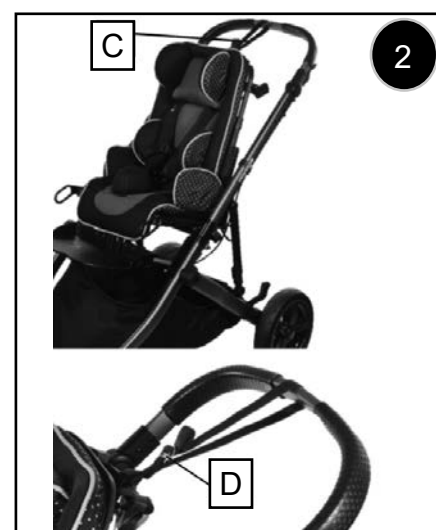
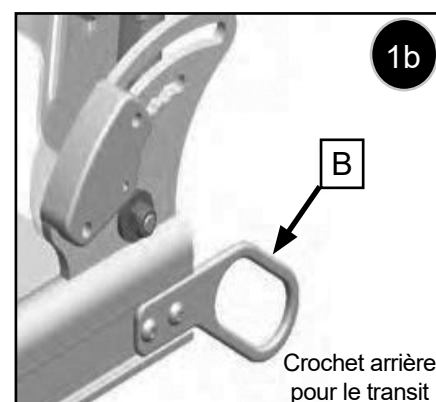
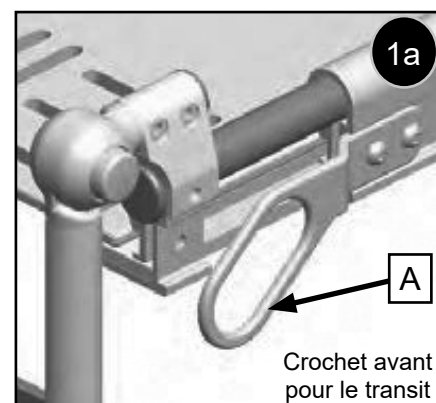
REMARQUE : Zippie Voyage a fait l'objet de tests de transit rigoureux et est considéré conforme à la norme ISO 7176-19 pour un enfant dépendant dont le poids est compris entre 22 et 34 kg. Pendant le transit, l'occupant doit être en sécurité à bord du véhicule et la poussette solidement arrimée via un système de retenue à 3 points et des sangles de transit passées dans les boucles de transit avant et arrière (A).

⚠ AVERTISSEMENT**POIDS DE L'UTILISATEUR INFÉRIEUR A 22 kg**

Si l'utilisateur devant être transporté est un enfant pesant moins de 22 kg et si le véhicule utilisé compte moins de huit (8) passagers assis, il est recommandé d'utiliser un dispositif de retenue pour enfants conforme au règlement 44 de la CEE-ONU. Ce type de dispositif de retenue est un moyen de retenue plus efficace que les dispositifs à trois points, et certains dispositifs de retenue pour enfants assurent également un support postural supplémentaire afin de maintenir la position de l'enfant lorsqu'il est assis.

Les parents ou toute autre personne s'occupant de l'enfant peut, selon le cas, décider de laisser l'enfant dans son fauteuil roulant pendant le transport en raison du niveau de contrôle de la posture ou du niveau de confort assuré par les réglages du fauteuil. Nous vous invitons à effectuer une évaluation des risques par votre accompagnateur ou toute personne compétente en la matière.

1. L'occupant doit faire face à la route pendant le transport.
2. Utilisez impérativement les systèmes d'arrimage et de retenue spécialement prévus pour les fauteuils roulants.
3. Pendant le transit, il est également obligatoire d'utiliser un système d'arrimage conforme à la norme ISO 10542.
4. L'occupant doit être maintenu à l'aide d'une ceinture de sécurité à 3 points.
5. Pour toutes les situations de transit, il est obligatoire d'utiliser la sangle de transit (C) fournie avec la poussette. Elle garantit le maintien du système d'assise au châssis arrière. Pour la sécurité de l'occupant, il est essentiel d'enfiler la sangle dans les 2 boucles en D (D) comme illustré à la Figure 2.
6. Les accessoires de la poussette, comme les tablettes, l'appareil respiratoire et les batteries doivent être retirés et rangés séparément. La tablette pour appareil respiratoire, le porte-bouteille d'oxygène et la potence pour perfusion doivent également être retirés et rangés séparément avant d'utiliser la poussette comme siège à bord d'un véhicule motorisé.
7. Le poids maximum de l'occupant ne doit pas dépasser 34 kg. (34 kg).
8. Les emplacements des points d'ancrage avant et arrière (A) (B) sont illustrés à la Figure 1a et Figure 1b et identifiés à l'aide d'une étiquette.
9. N'utilisez que les systèmes de retenue et de fixation été installés conformément aux instructions du fabricant et conformes à la norme ISO 10542. Attachez le système de retenue et de fixation aux points d'ancrage (A) (B) en respectant les consignes du fabricant et conformément à la norme SAE J2249.
10. L'angle de la ceinture pelvienne de positionnement doit se trouver dans la zone de préférence comprise entre 45 et 75° à l'horizontal, ou dans la zone facultative comprise entre 30 et 45° à l'horizontal (Figure 3).
11. La ceinture pelvienne doit être portée basse, sur l'avant du bassin. Passez la ceinture thoracique par-dessus les épaules. Aucun composant du fauteuil ne doit empêcher le contact entre le corps et les ceintures. Vérifiez que les ceintures ne sont pas entortillées.
12. Si le dossier doit être incliné pendant le transport, ne l'inclinez pas à plus de 30° pour éviter tout risque de blessure à l'occupant en cas d'accident ou de collision.
13. Attachez le système de retenue de l'occupant en respectant les consignes du fabricant et conformément à la norme ISO 10542.
14. Avant le transit, retirez la capote, la barre frontale, la tablette, le sac de rangement sous le châssis.
15. Videz le sac de rangement.



Repérez ce symbole sur votre poussette. Il indique les points d'ancrage du fauteuil conformément à la norme ISO 7176-19 (2008).

A. PLIAGE ET DÉPLIAGE DU CADRE

⚠ AVERTISSEMENT

1. La poussette Zippie a été conçue pour garantir stabilité et performance. Lorsqu'elle est dépliée, la poussette doit être entièrement ouverte et verrouillée pour éviter toute blessure à l'occupant.
2. Suivez attentivement les instructions pour le dépliage de la poussette et vérifiez qu'elle est bien verrouillée avant d'installer le système d'assise et l'occupant.
3. Faites attention de ne pas vous pincer les doigts.

Dépliage de la poussette :

4 5 6

1. Déverrouillez le loquet (A) du châssis plié. Ce loquet doit rester présent sur le châssis pour pouvoir immobiliser la poussette lors des futurs pliages.
2. Soulevez le châssis supérieur (B) jusqu'à ce qu'il s'enclenche. Il est en général plus facile de poser le pied sur la barre inférieure pendant que vous soulevez le châssis supérieur (Fig. 6).
3. Vous pouvez maintenant monter les roues avant et arrière si elles ne sont pas déjà en place.

Pliant :

7 6 4

⚠ AVERTISSEMENT

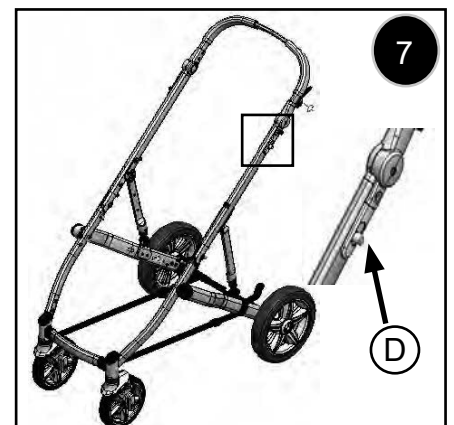
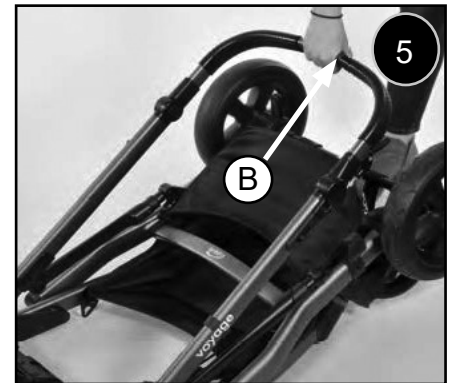
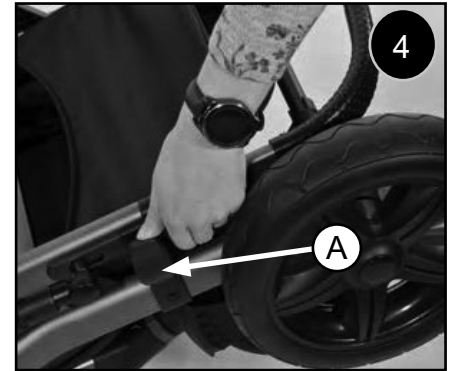
La poussette Voyage n'est pas prévue pour être pliée avec le système d'assise en place. Retirez TOUJOURS le système d'assise avant de plier le châssis de la poussette. Le non-respect de cette consigne peut endommager la poussette.

1. Sortez l'enfant de la poussette, puis retirez le système d'assise (reportez-vous à la sous-section (F)).
2. Déverrouillez les roues avant.
3. Ramenez la poignée en position alignée, comme illustré à la Fig. 7.
4. Enclenchez le frein de stationnement.
5. Relevez simultanément les deux gâchettes (D). Cela permet de libérer le verrou du châssis. Tout en maintenant les gâchettes relevées, poussez le châssis supérieur vers le bas.
6. Poussez la poignée vers le bas pour amorcer le pliage de la base.
7. Soulevez le tube central du mécanisme Slide-N-Lock (C). Fig. 6.
8. Cliquez le loquet (A) autour du châssis pour éviter l'ouverture accidentelle de la poussette pendant le transport ou l'entreposage de la poussette.

REMARQUE : Il n'est pas obligatoire de retirer les roues avant et arrière mais cela permet de gagner de la place.

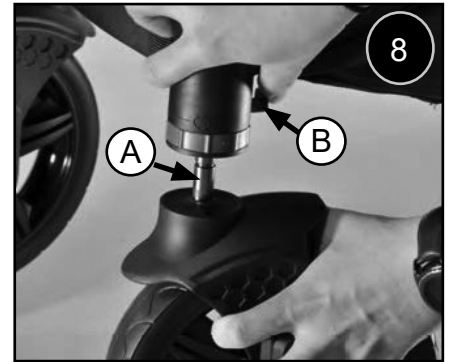
Si vous laissez les roues avant, le châssis peut avoir du mal à se verrouiller en raison d'une interférence entre les roues et la poignée de poussée.

Dans ce cas, rentrez la poignée de poussée au maximum avant de plier la poussette, cela facilitera le pliage. Ne forcez pas la fermeture ou l'ouverture de la base pendant le pliage ou le dépliage. Cela pourrait endommager la poussette.



B. ROUES AVANT**Montage et démontage des roues avant :** 8

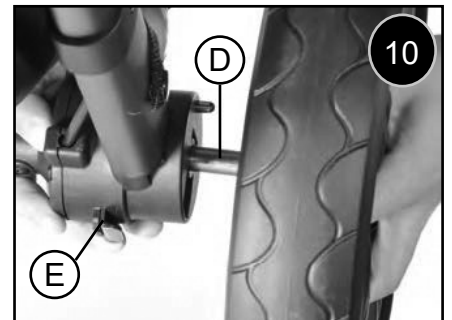
1. Repérez l'orifice pour l'insertion de l'axe de la roue avant sous le châssis de la poussette Voyage. Alignez l'axe (A) de la roue avec l'orifice. Enfoncez le loquet (B) et insérez dans le même temps l'axe jusqu'à ce qu'il s'enclenche et émette un clic. Tirez sur la roue pour vérifier qu'elle est bien enclenchée. Si la roue ne sort pas, c'est qu'elle est correctement installée. Répétez l'opération de l'autre côté.
2. Pour démonter la roue avant, enfoncez le loquet (B) et sortez la roue hors de son logement.

**Verrouillage des roues avant :** 9

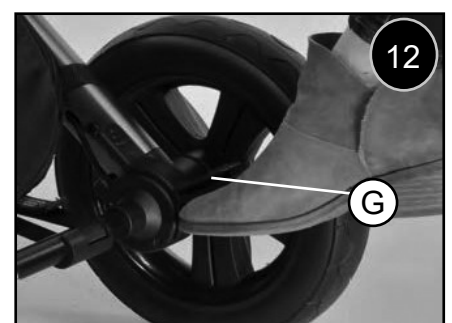
1. Pour bloquer la roue, repérez l'anneau de verrouillage (C). Tournez l'anneau dans le sens horaire jusqu'à ce qu'il s'enclenche et émette un clic. Faites la même chose pour l'autre roue et vérifiez que le verrou est bien enclenché.
2. Pour débloquer la roue, tournez l'anneau dans le sens anti-horaire jusqu'à ce que la roue pivote librement.

**C. ROUES ARRIÈRE****Montage et démontage des roues arrière :** 10

1. Pour installer la roue arrière, glissez délicatement l'axe de la roue arrière (D) dans son logement jusqu'à ce qu'il s'enclenche et émette un clic.
2. Pour retirer la roue arrière, enfoncez le bouton de libération (E) et glissez la roue hors de son logement.

**D. UTILISATION DU FREIN DE STATIONNEMENT****Serrage et desserrage du frein de stationnement :** 11 12

1. Pour enclencher le frein de stationnement, appuyez délicatement avec votre pied sur la pédale de frein (F).
2. Pour relâcher le frein, relevez le levier vertical (G) avec la pointe du pied.



E. INSTALLATION DU SYSTÈME D'ASSISE

⚠ AVERTISSEMENT

AVANT d'installer le système d'assise, pensez à vérifier que le fauteuil est complètement déplié et bien enclenché, et que les quatre roues sont verrouillées. N'installez jamais le système d'assise avec l'occupant assis dedans. Pensez à stabiliser le fauteuil avant cette opération.

- Faites tourner les roues avant jusqu'à ce qu'elles soient orientées vers l'avant.
- Enclenchez le frein de stationnement.

Le système d'assise possède un loquet sous la plaque du siège. Ce loquet vient se loger dans l'interface située sur le châssis. Le système d'assise peut être positionné de sorte que l'enfant soit face à la route ou lui tourne le dos. La procédure d'installation est identique dans l'une ou l'autre direction.

Fonction de verrouillage :

13 14

REMARQUE - Le loquet situé sous la plaque d'assise possède un verrou qui permet de sécuriser le siège une fois qu'il est installé.

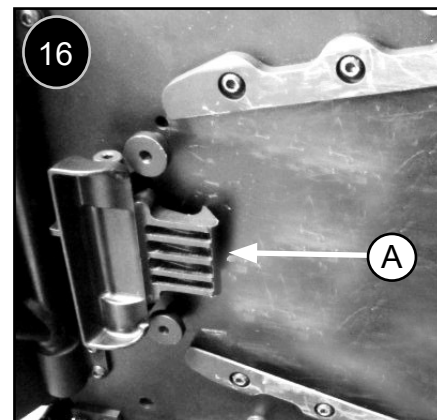
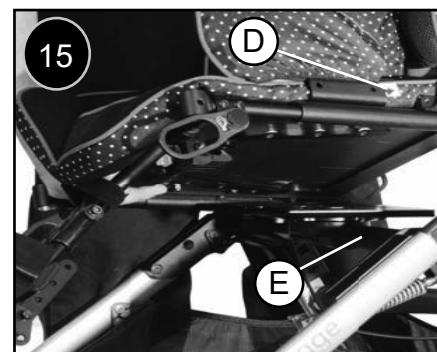
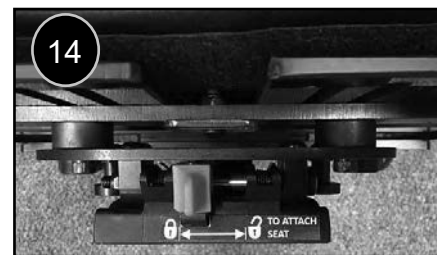
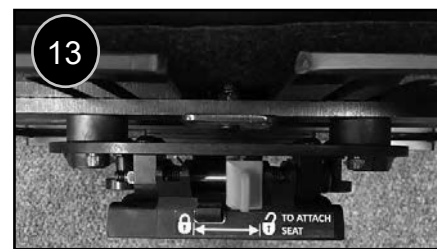
1. AVANT d'installer ou de déposer le siège de la base, glissez le verrou du loquet (K) vers la droite (position déverrouillée), comme illustré à la Fig 14.
2. Pour éviter toute activation accidentelle du loquet du siège, glissez le verrou vers la gauche (comme illustré à la Fig. 15) APRÈS avoir installé le siège sur la base (il est impossible de positionner le siège sur sa base si le verrou est engagé).

Installation du système d'assise :

15

REMARQUE : lors de l'installation du système de siège modéré orienté vers l'arrière, relevez le repose-pieds à un angle d'environ 5 degrés, afin de dégager la barre transversale de la base de la poussette et de permettre au siège de se verrouiller sur le support.

1. Vérifiez que le siège est en position parfaitement verticale (zéro inclinaison).
2. Veillez à dégager les sangles et les accessoires de positionnement de sorte qu'ils n'entravent pas l'enclenchement du siège.
3. **Pour le système de siège modéré uniquement :** Alignez l'onglet d'alignement (D) avec la barre transversale de support (E) sur la base (Fig. 15)
4. Abaissez la coque du siège de sorte qu'elle soit en contact avec la plaque de montage.
5. Glissez uniformément le système d'assise vers l'arrière. Vous devriez entendre un clic audible. Tirez sur les deux côtés de la coque pour vérifier qu'elle est bien enclenchée. Si elle ne bouge pas et reste droite, c'est qu'elle est verrouillée et correctement installée.
6. Il est maintenant possible de placer l'occupant à bord de la poussette.



F. DÉPOSE DU SYSTÈME D'ASSISE

⚠ AVERTISSEMENT

AVANT de déposer le système d'assise, sortez l'occupant et placez-le dans un endroit sûr. Le non-respect de cette consigne pourrait causer des blessures pour l'occupant et/ou l'accompagnateur. Pensez à stabiliser le fauteuil avant cette opération.

- Faites tourner les roues avant jusqu'à ce qu'elles soient orientées vers l'avant.
- Enclenchez le frein de stationnement.

Dépose du système d'assise:

16

1. Vérifiez que le siège est en position parfaitement verticale (zéro inclinaison).
2. Tirez le levier de libération (A) jusqu'à ce qu'il se sépare du récepteur. Glissez le système d'assise vers l'avant et soulevez-le quand il est dégagé.
3. Le système d'assise peut maintenant être inspecté et/ou entreposé.

Rotation du système d'assise : 17 17.1 18 19

1. Bloquez les roues et retirez le siège.
2. Vérifiez que le siège est en position neutre ou 0°, c'est-à-dire qu'il n'est pas basculé. Pour cela, serrez le levier de libération de basculement et laissez la plaque Slide-n-Lock (Récepteur) revenir à plat.
3. ETAPE 1: Enfoncez le bouton doré, numéroté 1 (A) sur la plaque Slide-n-Lock, puis pivotez la plaque à fond (Fig. 17).
4. ETAPE 2: Tirez la goupille (B) d'une main et pivotez de l'autre le manchon limiteur de bascule (C)* (Fig. 18 et 19).
5. -REMARQUE : Tournez le manchon limiteur de bascule uniquement lors du processus de pivotement de la plaque.
6. *Lorsque le siège fait face à la route, dans le sens de la marche, le manchon limiteur de bascule est orienté vers l'arrière. Lorsque le siège est dos à la route, le manchon limiteur de bascule est orienté vers l'avant.
7. ETAPE 3: Faites ensuite pivoter la plaque à 180° jusqu'à ce qu'elle s'enclenche. (Fig. 17.1)

REMARQUE : pour un système de siège avancé, la plage d'inclinaison maximale vers l'arrière (avant) peut être limitée.

Insertion et dépose de la barre de maintien : 20

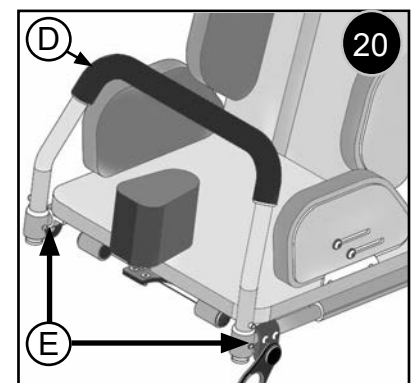
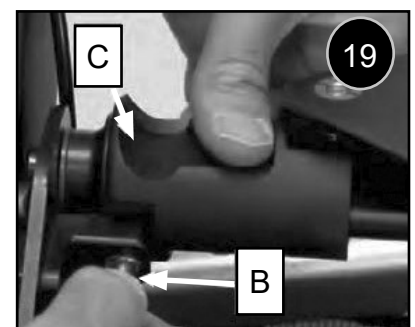
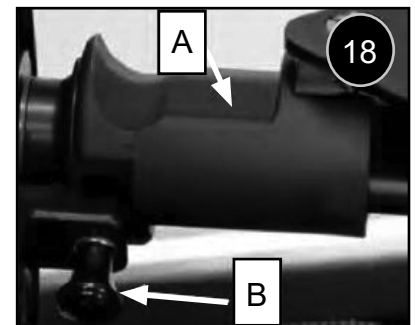
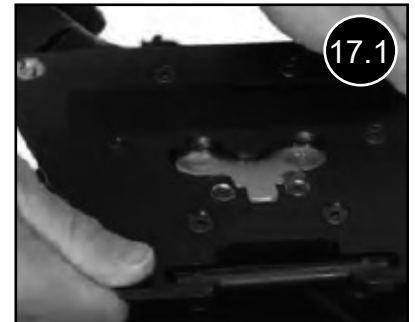
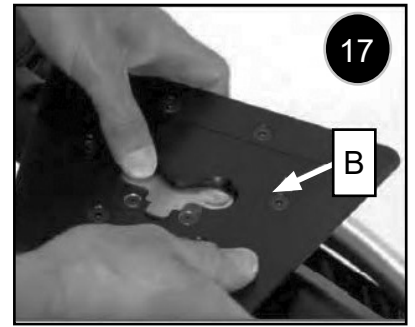
Pensez à stabiliser la poussette avant cette opération.

- Faites tourner les roues avant jusqu'à ce qu'elles soient orientées vers l'avant.
 - Enclenchez le frein de stationnement.
8. Le cas échéant, veillez à ne pas tirer, ni pincer un tube du système de survie de l'enfant. Pendant cette opération, prenez soin d'écarter toute éventuelle obstruction et/ou vêtement susceptible de se coincer.
 9. Pour réaliser cette opération, placez-vous à l'avant de la poussette. Enfoncez simultanément les deux goupilles d'arrêt (E), puis insérez ou sortez la barre de maintien (D).
 10. Si vous installez la barre de maintien (D), enfoncez suffisamment la barre pour que les deux goupilles d'arrêt ressortent de leurs orifices (E).
 11. Tirez sur la barre pour vérifier qu'elle est bien enclenchée.
 12. Selon les préférences individuelles, la barre de maintien est réversible.

G. RÉGLAGE DE L'ANGLE DE BASCULE**⚠ AVERTISSEMENT**

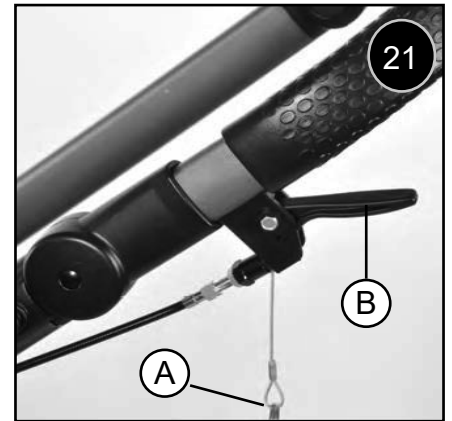
AVANT d'effectuer le moindre réglage de basculement de l'assise, pensez à vérifier que le fauteuil est complètement déplié et bien enclenché, et que les quatre roues sont verrouillées. Le cas échéant, veillez à ne pas tirer, ni pincer un tube du système de survie de l'enfant. Pensez à stabiliser le fauteuil avant cette opération.

- Faites tourner les roues avant jusqu'à ce qu'elles soient orientées vers l'avant.
- Enclenchez le frein de stationnement.



Réglage de bascule du système d'assise : 21

1. Retirez la goupille de sécurité afin de permettre le basculement. Saisissez le levier de basculement (A) situé sur la gauche, serrez-le et abaissez en même temps de système d'assise à l'angle désiré. Le dossier et le siège doivent bouger ensemble, y compris le repose-pied.
2. Relâchez le levier, puis tirez délicatement sur le système d'assise pour vérifier qu'il est bien enclenché.
3. Parce que ce réglage peut légèrement modifier l'équilibre de la poussette, il convient de vérifier qu'il n'y a pas de risque de basculement de la poussette

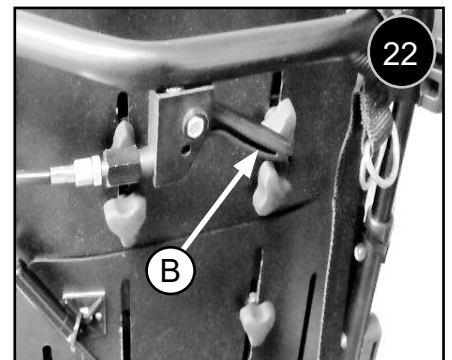
**H. RÉGLAGE DE L'INCLINAISON DU DOSSIER****⚠ AVERTISSEMENT**

AVANT d'effectuer le moindre réglage d'inclinaison du dossier, pensez à vérifier que le fauteuil est complètement déplié et bien enclenché, et que les quatre roues sont verrouillées. Le cas échéant, veillez à ne pas tirer, ni pincer un tube du système de survie de l'enfant. Pensez à stabiliser le fauteuil avant cette opération.

- Faites tourner les roues avant jusqu'à ce qu'elles soient orientées vers l'avant.
- Enclenchez le frein de stationnement.
- Si le fauteuil est équipé d'un harnais, desserrez les sangles au niveau des épaules afin de ne pas entraver l'inclinaison.

Réglage de l'inclinaison du dossier : 22

1. Retirez la goupille de sécurité du levier d'inclinaison. Placez-vous derrière la poussette et attrapez le levier d'inclinaison du dossier (B). Serrez le levier, puis tirez sur le dossier. (Le dossier doit bouger indépendamment du siège et du repose-pied). Lorsque le dossier est incliné à l'angle désiré, relâchez le levier, puis tirez délicatement sur le dossier pour vérifier qu'il est bien enclenché.
2. Parce que ce réglage peut légèrement modifier l'équilibre de la poussette, il convient de vérifier qu'il n'y a pas de risque de basculement de la poussette
3. Si la poussette est équipée d'un harnais, réglez la longueur des sangles.

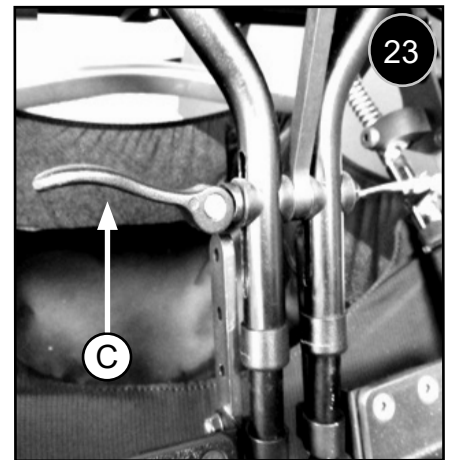
**I. RÉGLAGE DE L'ANGLE DES GENOUX****⚠ AVERTISSEMENT**

Pensez à stabiliser le fauteuil avant cette opération.

- Faites tourner les roues avant jusqu'à ce qu'elles soient orientées vers l'avant.
- Enclenchez le frein de stationnement.

Réglage de l'angle des genoux: 23

1. Le cas échéant, veillez à ne pas tirer, ni pincer un tube du système de survie de l'enfant. Pendant cette opération, prenez soin d'écartier toute éventuelle obstruction et/ou vêtement susceptible de se coincer.
2. Libérez le levier à déverrouillage rapide (C), puis ajustez l'inclinaison du genou à l'angle désiré.
3. Après le réglage, relevez le levier en position verrouillée.

**J. LEVIER DE BASCULEMENT**

Le levier de basculement permet à l'accompagnateur de franchir les obstacles. Placez votre pied sur le tube d'appui pour faire franchir au fauteuil un trottoir ou une marche, par exemple.

K. INSTALLATION ET RÉGLAGE DE LA CAPOTE

⚠ AVERTISSEMENT

Il est préférable que l'enfant ne soit pas assis dans son fauteuil pendant l'installation des accessoires.

Installation de la capote :

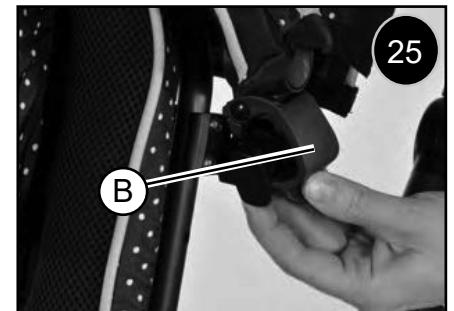
24 25

1. Placez-vous derrière la poussette et placez la capote sur les montants (A).
2. Inspectez visuellement que la capote est correctement installée et vérifiez qu'elle est fermement maintenue en place. Les loquets en plastique (B) se referment par-dessus les montants.

**Réglage de la capote :**

26

1. Une fois que la capote est installée, vous pouvez l'ouvrir ou la fermer selon la protection souhaitée.
2. Vous pouvez également desserrer les vis à tête ronde (C) et pivoter les fixations de la capote (D) à l'angle désiré pour avancer ou reculer la capote. Veillez à régler les fixations à la même inclinaison des deux côtés.
3. Rabattez la capote intégralement pour attraper l'enfant.
4. Si vous utilisez la capote après avoir procédé aux réglages de basculement et d'inclinaison du système d'assise, il pourra être nécessaire d'ajuster la capote vers l'avant ou l'arrière pour accéder à la zone de la poignée de poussée.



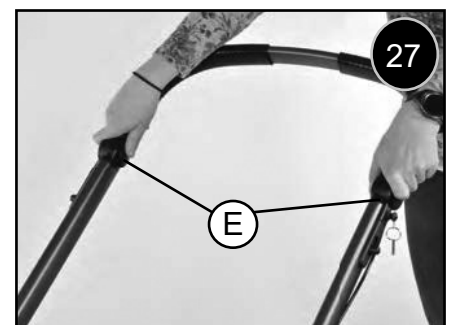
L. EXTENSION DE LA POIGNÉE DE POUSSÉE TÉLESCOPIQUE

Pour régler la poignée de poussée :

27

La hauteur de la poignée de poussée est réglable pour un confort accru de l'accompagnateur.

1. Pour réaliser cette opération, placez-vous à l'arrière de la poussette. Enfoncez simultanément les deux boutons d'inclinaison de la poignée (E) et réglez la poignée à l'angle désiré.
2. Relâchez les boutons, puis bougez délicatement la poignée pour qu'elle puisse s'enclencher.



A. AJUSTEMENTS DE POSITIONNEMENT ET DE CROISSANCE

⚠ AVERTISSEMENT

S'il s'avère nécessaire d'effectuer un réglage en raison d'un changement de positionnement ou parce que l'enfant a grandi, il convient de consulter préalablement le professionnel de santé qui vous suit. Ces ajustements sont très importants pour les besoins orthopédiques et neurologiques de l'enfant. Les changements apportés doivent être adaptés à l'enfant d'un point de vue physiologique et médical. Sunrise Medical recommande de confier les ajustements de positionnement ou de croissance à votre prestataire de service. Ne procédez à aucun ajustement pendant que l'enfant est à bord de la poussette.

Serrage dynamométrique :

Le serrage dynamométrique correspond au serrage optimal devant être appliqué à une fixation particulière. Il est important de respecter les valeurs de couple de serrage indiquées. En l'absence d'indication spécifique, appliquez les couples de serrage suivants : Fixations M5 = 5 Nm, Fixations M6 = 7 Nm, Fixations M8 = 10 Nm. Pour tous les autres éléments de fixation, le couple de serrage doit être de 6,8 Nm.

Les outils dont vous aurez besoin: 28

1. Jeu de clés hexagonales (mesures impériales)
2. Jeu de clés hexagonales (mesures métriques)
3. Jeu de clés plates (mesures impériales)
4. Jeu de clés plates (mesures métriques)
5. Clé dynamométrique
6. Jeu de douilles hexagonales (mesures impériales)
7. Jeu de douilles hexagonales (mesures métriques)
8. Tournevis plats et cruciformes

REMARQUE : Il est recommandé d'utiliser une clé dynamométrique indiquant les valeurs en in/lbs. Vous pouvez vous procurer une clé dynamométrique et les douilles correspondantes dans une quincaillerie.

En règle générale, les ajustements de positionnement et de croissance doivent être effectués dans l'ordre suivant :

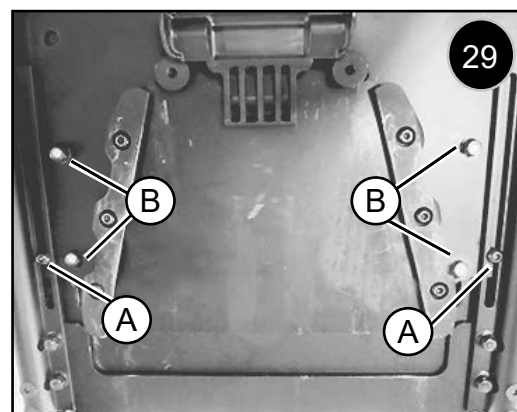
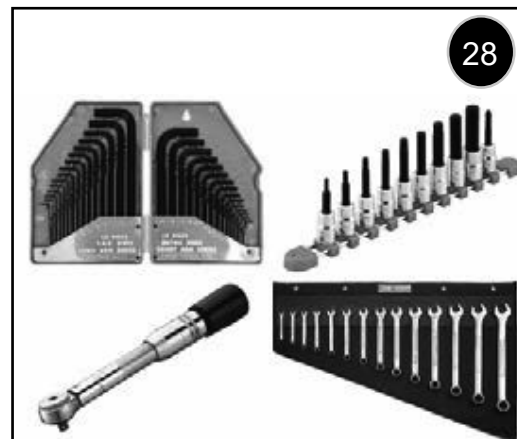
1. Réglage de la zone d'assise
2. Réglage de la zone du dossier
3. Réglage de la ceinture pelvienne de positionnement
4. Réglage du repose-pied
5. Réglage du ou des supports de tête
6. Autres réglages standard et facultatifs, selon les besoins
7. Vérifiez que toutes les vis de réglage sont serrées au couple spécifié

B. RÉGLAGE DU SIÈGE COMFORT

Réglage de la profondeur du siège Comfort : 29

REMARQUE : Plaque du siège vue par en-dessous.

1. Enlevez le coussin du siège Il est accroché par Velcro®.
2. Desserrez les vis (A) des deux côtés (sans les retirer).
3. Desserrez les quatre écrous (B) ; certains réglages nécessiteront de les retirer.
4. Ajustez la profondeur en glissant le plateau d'assise vers l'avant ou l'arrière.
5. Resserrez les fixations (A) et (B) à (75-85 in-lbs / 8,5-9,5 Nm).
6. Replacez le coussin sur le siège.

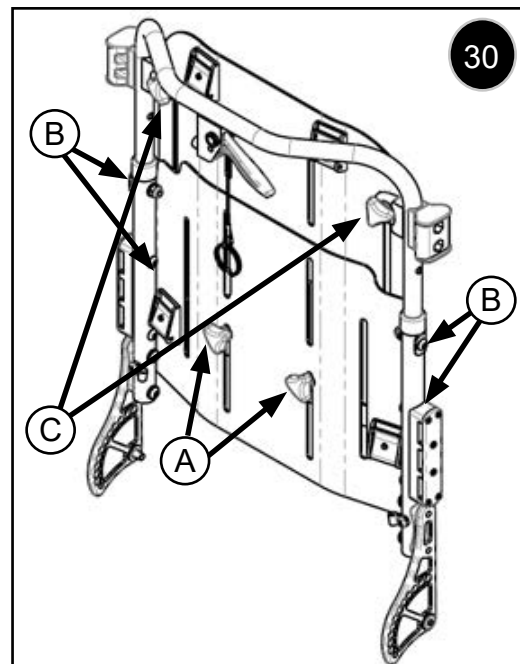


⚠ AVERTISSEMENT

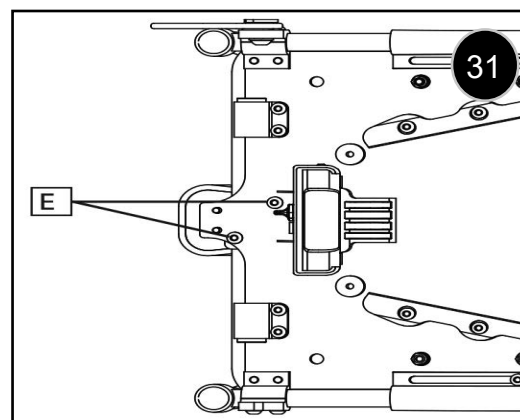
- Afin de faciliter les réglages et de garantir la sécurité de l'occupant, sortez ce dernier du fauteuil avant de procéder au moindre réglage.
- Pensez à stabiliser le fauteuil avant tout réglage.
- Régler la hauteur du dossier peut modifier le centre de gravité du fauteuil. Vérifiez que le fauteuil est stable et ne risque pas de basculer avec le nouveau réglage.

Réglage de la hauteur du dossier Comfort : 30

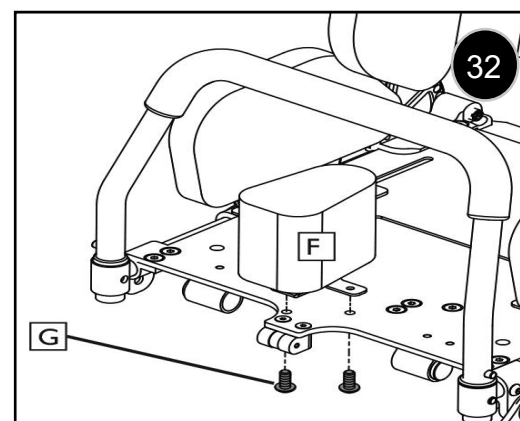
1. Faites tourner les roues avant jusqu'à ce qu'elles soient orientées vers l'avant.
2. Enclenchez le frein de stationnement.
3. Retirez le coussin du dossier.
4. Pour un réglage rapide de 100 mm, desserrez ou éventuellement retirez les quatre molettes (A) et (C) sur le dossier.
5. En présence de cales tronc, desserrez également leurs molettes de fixation.
6. Réglez la hauteur en glissant le dossier vers le haut ou le bas.
7. Resserrez les molettes (A) et (C).
8. Pour obtenir une hauteur supplémentaire (supérieure à 100 mm) au-delà de l'amplitude permise par les fentes, retirez les vis des montants du dossier (B) des deux côtés et desserrez les deux molettes du bas (A).
9. En présence de supports latéraux, desserrez ou éventuellement retirez également leurs molettes de fixation ou retirez les supports latéraux.
10. Glissez le dossier et la poignée vers le haut ou le bas jusqu'au prochain trou. (Espacement de 76 mm).
11. Resserrez les fixations (A) et (B).
12. Remplacez le coussin du dossier.

**Installation des cales latérales Comfort: 31 32**

1. Placez le repose-pied à l'horizontal, parallèle au sol.
2. Repérez les deux orifices (E) dans la plaque d'assise, situés des deux côtés du tube de logement du repose-pied.
3. Le coussin d'assise doit être en place.
4. Glissez la fixation en métal à travers la fente du coussin et alignez les orifices de la fixation avec les orifices de la plaque d'assise.
5. Fixez la cale latérale (F) au plateau d'assise à l'aide des vis (G).

**C. RÉGLAGE DE LA HAUTEUR DES SANGLES D'ÉPAULES :**

1. Desserrez, sans les retirer, les molettes de chaque côté du dossier.
2. Ajustez les sangles à la hauteur désirée.
3. Resserrez les molettes (sans serrer excessivement), puis ajustez de nouveau les sangles pour garantir un réglage confortable.



D. RÉGLAGE DU REPOSE-PIED :

33

34

Réglage de la hauteur :

Le réglage de la hauteur du repose-pied se fait au moyen de sections télescopiques du tube.

1. Repérez l'emplacement des vis de réglage (A) au dos de la potence du repose-pied.
2. Desserrez les vis supérieures de chaque côté de la potence du repose-pied.
3. Glissez le repose-pied vers le haut ou le bas, à la hauteur désirée.
4. Resserrez les vis supérieures au couple de 1,7 Nm - 2,26 Nm (sans serrer excessivement).
5. Répétez la procédure avec les vis inférieures pour obtenir une plage de réglage supplémentaire.

REMARQUE : Le repose-pied est illustré ici en position inversée pour obtenir la plus courte longueur possible. Il peut être fixé dans un sens ou dans l'autre, en inversant le repose-pied pour obtenir une longueur accrue ou un positionnement sécurisé du pied.

Réglage de l'inclinaison

1. Le repose-pied possède deux vis (B) et (C) qui contrôlent sa rotation. Desserrez les deux vis de chaque côté du repose-pied comme illustré à la Figure 30.
2. Réglez le repose-pied à l'angle désiré.
3. Resserrez les vis de réglage au couple de 4,5 Nm - 5,1 Nm. (Ne serrez pas excessivement les vis contre les pièces en plastique.)

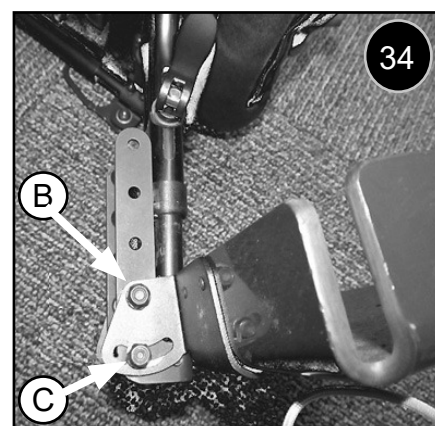
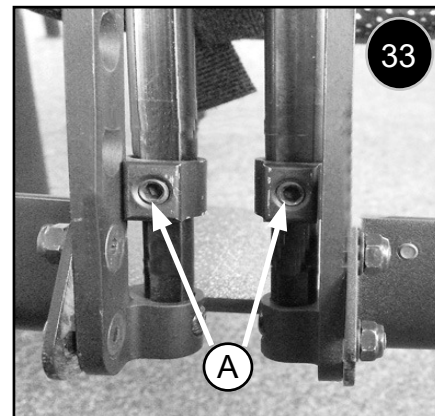
**E. RÉGLAGE DE LA HAUTEUR ENTRE LE SOL ET LE SIÈGE**

Tableau 1

La poussette Voyage peut se régler à trois hauteurs différentes :

Bas : 590 mm), Moy : 24,5" (625 mm), et Haut : 26" (660 mm) Voir le tableau 1.0

Réglage de la hauteur entre le sol et le siège :

1. Retirez les quatre vis (A), deux de chaque côté du fauteuil.
2. Positionnez le mécanisme de basculement de la barre transversale à la hauteur désirée.
3. Réinsérez les quatre vis à l'emplacement adéquat indiqué dans les images ci-contre.
4. Resserrez les vis à un couple de 8,5-9,5 Nm.

BAS : 23" (590 MM)	MOY : 24,5" (625 MM)	HAUT : 26" (660 MM)

Tableau 1

F. RÉGLAGE DE LA CEINTURE PELVIENNE DE POSITIONNEMENT : 35

Réglage de la longueur :

1. Si la ceinture est entortillée, mettez-la à plat. Ouvrez la ceinture et laissez tomber les battants en dehors de la zone d'assise.
2. Serrez le frein d'immobilisation, placez l'enfant à bord de la poussette et bouclez la ceinture.
3. Réglez la longueur de sorte qu'elle soit bien ajustée.
4. L'ajusteur se trouve à gauche de l'enfant (D-Fig. 35).

Réglage de la position :

La ceinture peut être attachée à la fixation Pivot à l'arrière ou à la fixation Hanche si elle doit être plus en avant.

⚠ AVERTISSEMENT

- Avant d'utiliser le fauteuil, vérifiez que la ceinture pelvienne est bien en place.
- La ceinture pelvienne doit être contrôlée quotidiennement afin de s'assurer que son fonctionnement n'est pas altéré par des éléments divers, ni par l'usure.
- Vérifiez toujours que la ceinture pelvienne est bien fixée et correctement réglée avant d'utiliser le fauteuil.

⚠ DANGER

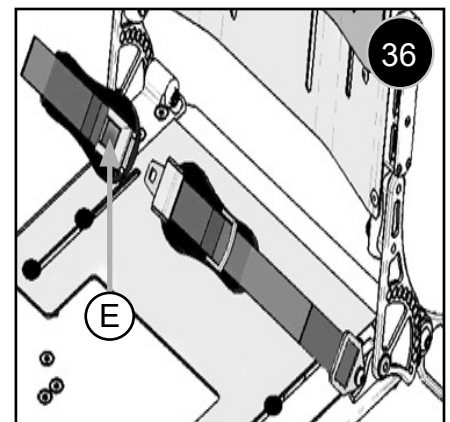
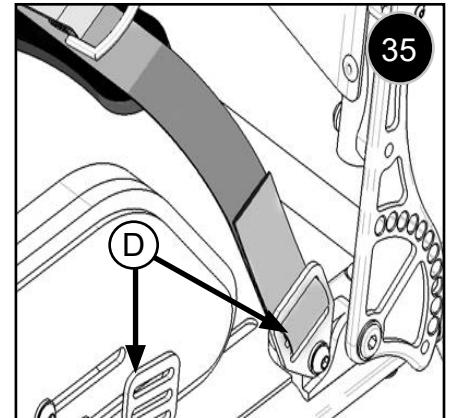
Une sangle trop lâche peut entraîner le glissement de l'utilisateur et causer un risque de suffocation ou des blessures graves.

Ajustez la ceinture sous-abdominale afin de convenir aux besoins de l'utilisateur comme ci-après : 36 36b

- Serrez le frein d'immobilisation, placez l'enfant à bord de la poussette et bouclez la ceinture.
- Ajustez la position de la ceinture afin que les attaches soient au centre du siège.
- Passez la ceinture par l'attache male et le dispositif de réglage coulissant.
- Assurez-vous que la ceinture n'ait pas de nœud au niveau de l'attache male.
- Passez la ceinture par les dispositifs de réglage coulissant et l'attache male afin d'obtenir plus de longueur de ceinture.
- Une fois la ceinture attachée, vérifiez l'espace entre la ceinture pelvienne et l'utilisateur :
- Si la ceinture est correctement réglée, vous pouvez passer la main à plat entre la ceinture pelvienne et l'utilisateur.

La ceinture pelvienne doit être fixée de sorte qu'elle soit à un angle de 45 degrés de part et d'autre du bassin de l'utilisateur.

L'utilisateur doit être bien droit et le plus à l'arrière possible dans le siège quand réglée correctement. La ceinture sous-abdominale ne doit pas permettre à l'utilisateur de glisser du siège.



Pour attacher la ceinture :

Poussez l'attache male de façon ferme dans l'attache femelle.

Pour défaire la ceinture :

Enfoncez le bouton ROUGE « E » au centre de la boucle, puis écartez délicatement les deux parties.

REMARQUE : Pour toute question sur l'utilisation et le fonctionnement de la ceinture pelvienne, contactez le fournisseur de la poussette, votre aide-soignant ou votre accompagnateur.

Pour acquérir une ceinture pelvienne de retenue ultérieurement, contactez votre revendeur.

⚠ AVERTISSEMENT

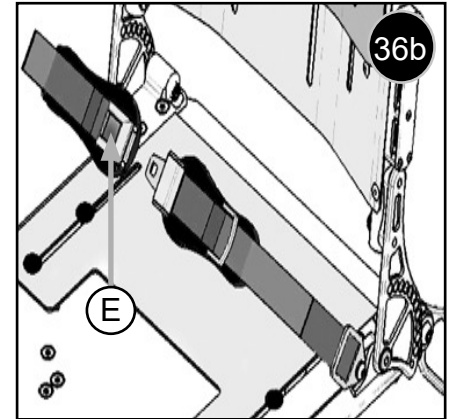
- La ceinture pelvienne ne doit être installée ou ajustée que par un revendeur ou agent Sunrise Medical autorisé.
- La ceinture pelvienne doit être contrôlée quotidiennement afin de s'assurer que l'ajustement est correct et que son fonctionnement n'est pas altéré par des éléments divers ou par l'usure.
- Sunrise Medical n'autorise pas l'utilisation de la ceinture pelvienne en guise de système de retenue pour le transport d'une personne à bord d'un véhicule.

Entretien :

- Vérifiez régulièrement l'état de la ceinture et des composants de retenue afin de détecter l'apparition d'éventuels signes d'endommagement ou de déchirure. Selon son degré d'usure, il faudra la remplacer.
- Pour installer une ceinture ultérieurement, contactez votre revendeur.

⚠ AVERTISSEMENT

La ceinture pelvienne doit être réglée de façon à s'adapter à l'utilisateur, comme détaillé ci-dessus. Sunrise Medical recommande également que la longueur et l'ajustement de la ceinture soient vérifiés régulièrement afin de réduire le risque de voir l'utilisateur final régler par inadvertance la ceinture à une longueur excessive.

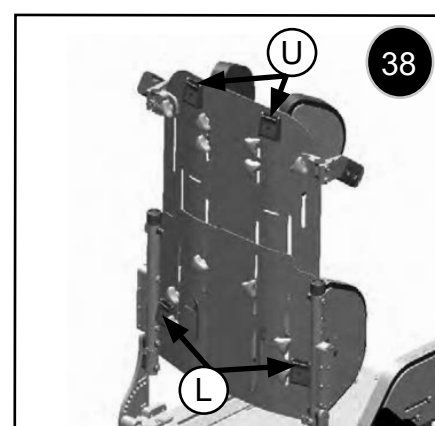
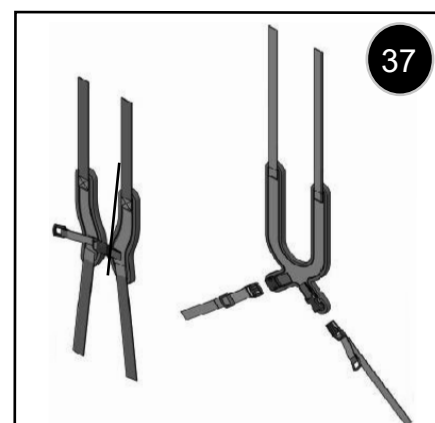


G. SUPPORT POUR TRONC : HARNAIS**⚠ AVERTISSEMENT**

- Pour éviter tout risque de blessure grave ou entrave à l'alimentation ou à la respiration, la ceinture pelvienne de positionnement doit être utilisée conjointement à un support de tronc. Vérifiez soigneusement qu'il n'existe pas de risque d'obstruction des voies respiratoires ou toute autre constriction indésirable. N'utilisez pas le support de tronc sans la ceinture pelvienne de positionnement.
- Sunrise Medical n'autorise pas l'utilisation du support de tronc en guise de système de retenue pour le transport d'une personne à bord d'un véhicule.

Réglage du harnais : 37 38

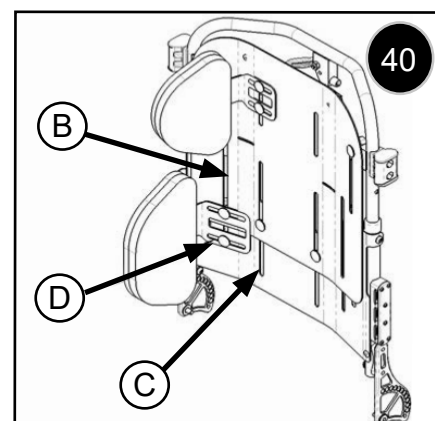
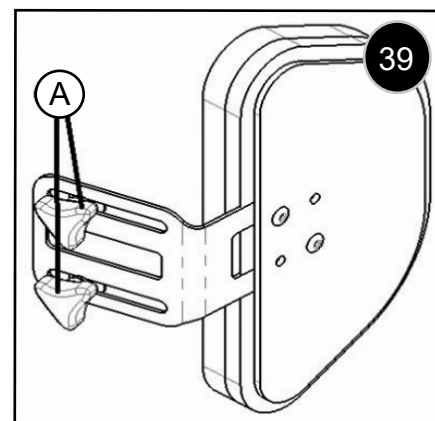
1. Placez l'enfant dans son siège et bouclez la ceinture pelvienne de positionnement.
2. Positionnez correctement les hanches de l'enfant et ajustez la ceinture.
3. Déverrouillez les deux verrous à came inférieurs (L) et les deux verrous à came supérieurs (U).
4. Commencez par ajuster les sangles inférieures pour éviter que le harnais ne remonte sur le torse de l'enfant, puis serrez les verrous à came inférieurs (L).
5. Ajustez ensuite les sangles supérieures en laissant suffisamment d'espace au niveau du cou de l'enfant pour qu'il puisse respirer et s'alimenter confortablement, puis serrez les verrous à came supérieurs (U).

**H. SUPPORTS LATÉRAUX POUR LE TRONC ET LA TÊTE (EN OPTION)****Réglages de la hauteur et de la largeur des supports latéraux pour le tronc et la tête :**

39 40

REMARQUE : Les réglages ci-dessous peuvent être effectués avec l'enfant assis dans La poussette.

1. Desserrez ou éventuellement retirez les deux molettes (A) à l'arrière de la coque, suffisamment pour pouvoir ajuster les supports latéraux.
2. Utilisez les fentes verticales (extérieures 'B' ou intérieures 'C') pour régler la hauteur. Faites glisser les supports latéraux vers le haut ou le bas à la position désirée et resserrez les deux molettes.
3. Utilisez les fentes horizontales 'D' pour régler la largeur ou pour passer des fentes extérieures aux fentes intérieures. Faites glisser les fixations latérales à la largeur désirée, puis resserrez les molettes.



I. SUPPORTS ANTÉRIEURS

Consultez le professionnel de santé pour déterminer la nécessité d'utiliser des supports antérieurs.

Certains enfants, en raison de leur niveau de handicap ou de leur condition physique, peuvent nécessiter des supports antérieurs pour les aider à maintenir une posture correcte ou une certaine position du corps. De tels dispositifs comprennent les sangles de la tête, les sangles des épaules, les systèmes de sangle thoracique, les supports de bassin et les ceintures.

⚠ AVERTISSEMENT

Risques de blessures et comment les éviter.

Mouvements excessifs ou migration du bassin - Cela peut provoquer un déplacement du support. De tels cas de figure peuvent entraîner de graves blessures pour l'enfant.

Pour réduire les risques :

1. Il est VITAL de conserver l'enfant dans une position de bassin stable.
2. Les supports antérieurs doivent UNIQUEMENT être utilisés avec des supports d'assise, du dos et du bassin ou des ceintures qui empêchent l'enfant de glisser dans le siège.
3. Les supports antérieurs doivent être installés par votre fournisseur agréé ou le professionnel de santé qui vous suit.
4. Après l'installation des supports antérieurs, ceux-ci doivent UNIQUEMENT être placés et réglés par des personnes qualifiées.
5. NE laissez PAS l'enfant sans surveillance lors de l'utilisation de supports antérieurs.

J. GUIDE-HANCHE (EN OPTION) : 41

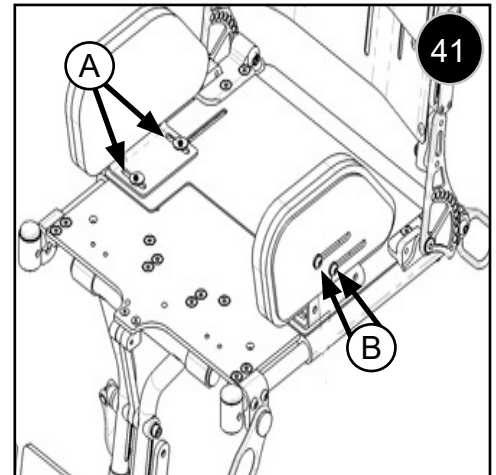
Réglage de la largeur, (A) :

1. Déterminer l'emplacement adéquat de chaque coussinet de hanche.
2. Retirez le coussin d'assise afin de voir les vis de réglage du coussinet de hanche.
3. Desserrez légèrement les deux vis de réglage de chaque coussinet pour procéder à l'ajustement.
4. Placez les coussinets de hanche à la position désirée.
5. Resserrez les vis de réglage et replacez le coussin d'assise.

Réglage vers l'avant/l'arrière (B) :

1. Déterminer l'emplacement adéquat de chaque coussinet de hanche.
2. Retirez le coussinet du guide-hanche afin de voir les vis de réglage.
3. Desserrez légèrement les deux vis de réglage de chaque coussinet pour procéder à l'ajustement.
4. Placez les coussinets de hanche à la position désirée.
5. Resserrez les vis de réglage et replacez le cache du guide-hanche.

REMARQUE : Pour un réglage de la largeur supérieur à 254 mm, retirez complètement les vis du guide-hanche. Le coussinet en mousse se fixe sous le tissu au niveau du point de pivot pour permettre un réglage de la largeur allant jusqu'à 280 mm.

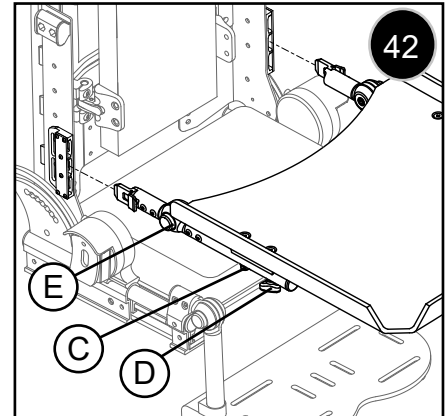


K. INSTALLATION ET RÉGLAGE DE LA TABLETTE 42

1. Coulissez la tablette sur les rails, réglez à la profondeur requise, puis bloquez.
2. Vérifiez que l'écrou (C) est suffisamment desserré pour permettre le réglage de la tablette.
3. Desserrez la molette (D) des deux côtés pour ajuster la profondeur de la tablette, puis resserrez.
4. Pour régler l'angle de la tablette, enfoncez les deux boutons (E) présents sur les rails, puis élevez la tablette à l'angle désiré. La tablette doit se verrouiller en émettant un clic audible.

⚠ AVERTISSEMENT

L'utilisation d'une ceinture pelvienne de positionnement est essentielle pour la sécurité de votre enfant si ses besoins de positionnement thérapeutiques impliquent l'utilisation de lanières ou de cale-pieds pour immobiliser les pieds.

**L. RÉGLAGE DE LA LANIÈRE DE MAINTIEN DU PIED (EN OPTION) :**

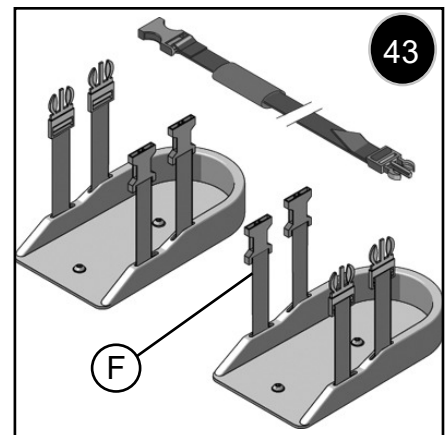
REMARQUE : Les lanières de maintien du pied en option sont prévues pour répondre aux seuls besoins de positionnement thérapeutiques.

1. Serrez le frein, puis placez l'enfant dans sa poussette.
2. Ouvrez et desserrez les deux lanières (F).
3. Poser le pied de l'enfant, puis bouclez la lanière.
4. La lanière doit être la plus lâche possible, tout en maintenant la position thérapeutique préconisée.

M. RÉGLAGE DES CALE-PIEDS (EN OPTION) : 43

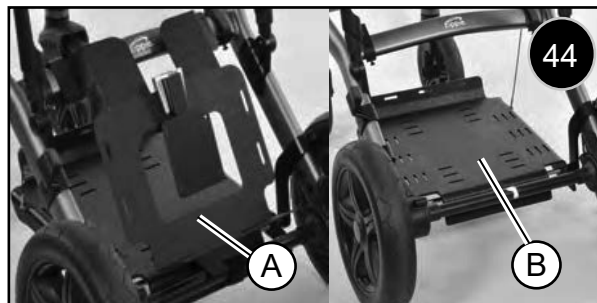
REMARQUE : Les cale-pieds sont prévus pour répondre aux seuls besoins de positionnement thérapeutiques.

1. Serrez le frein, puis placez l'enfant dans sa poussette.
2. Desserrez les lanières des cale-pieds (F).
3. L'enfant doit porter des chaussures pour procéder à ce réglage. Poser les pieds de l'enfant dans les cale-pieds, puis bouclez les deux lanières de chaque cale-pied.
4. La lanière doit être la plus lâche possible, tout en maintenant la position thérapeutique préconisée.

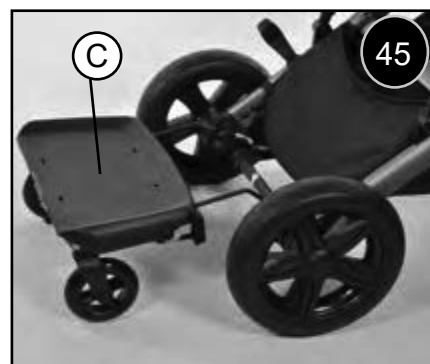


**N. SUPPORTS POUR APPAREIL RESPIRATOIRE/
BATTERIE (EN OPTION) :** 44

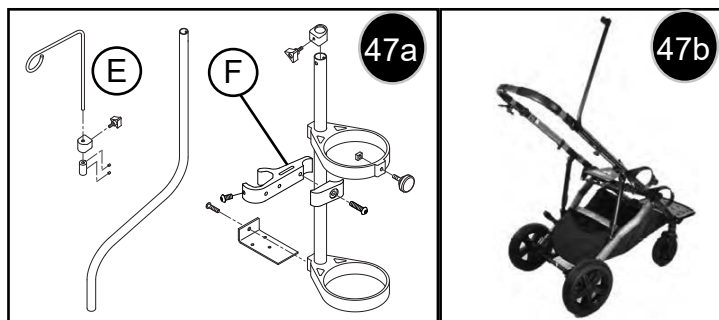
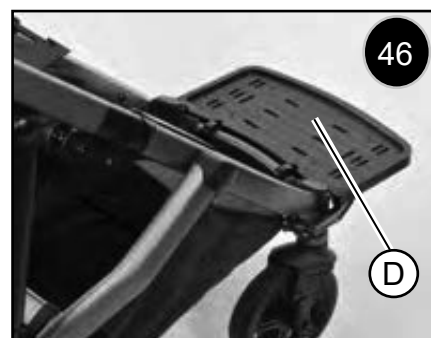
1. Il existe deux types de supports pour appareil respiratoire. Un support arrière ou en queue d'aronde (A) prévu pour une charge de 6,8 kg et un support sous châssis capable de supporter 22,7 kg.
2. Les supports se fixent en toute simplicité au châssis de la poussette Voyage.
3. Des sangles de fixation sont fournies avec cette option pour sécuriser le matériel.
4. Le range-tout (I) est fourni. Il se plie vers l'avant du support et fournit un petit espace de rangement supplémentaire.

**O. PLATEFORME AVANT OU ARRIÈRE (EN OPTION) :** 45 46

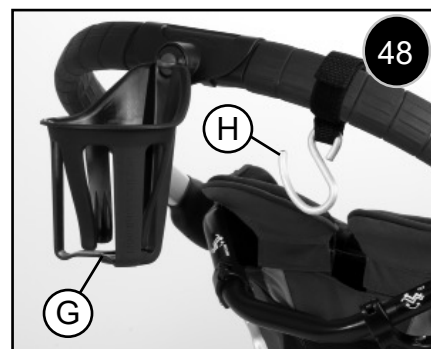
1. La plateforme avant (C) peut servir pour poser un appareil respiratoire ou tout autre équipement nécessaire.
2. La plateforme montée à l'avant (D) peut supporter un poids maximum de 22,7 kg.
3. Des sangles de fixation sont fournies avec cette option pour sécuriser le matériel.

**P. POTENCE POUR PERFUSION / SUPPORT POUR BOUTEILLE
D'OXYGÈNE (EN OPTION) :** 47a 47b

1. La potence pour perfusion (E) et le support pour bouteille d'oxygène (F) sont entièrement réglables et se fixent directement au châssis de la poussette à l'aide des éléments de fixation illustrés à la Figure 47a.
2. L'emplacement de la fixation est indiqué à la Figure 47b.

**Q. PORTE-GOBELET ET CROCHET (EN OPTION) :** 48

1. Le porte-gobelet (G) se place en toute simplicité.
2. Le crochet (H) utilise une bande Velcro®. Il sert en généralement à l'acheminement du tuyau d'oxygène, mais peut parfaitement servir pour y suspendre des objets légers.



A. REMARQUES

1. Un bon entretien améliorera la performance et prolongera la durée de vie de votre poussette.
2. Nettoyez La poussette régulièrement. Ceci vous permettra de repérer les pièces desserrées ou usées et de faciliter l'utilisation de votre poussette.
3. Pour préserver votre investissement, faites effectuer tous les travaux de maintenance et de réparation par votre revendeur.
4. Au moins tous les quatre mois, vérifiez que les vis et les molettes ne sont pas desserrées. Si des pièces viennent à manquer ou sont endommagées ou usées, cessez immédiatement d'utiliser la poussette jusqu'à ce que les réparations nécessaires aient été effectuées avec des pièces approuvées par le fabricant.
5. Essuyez régulièrement les composants en plastique à l'aide d'une solution douce savonneuse pour maintenir la propreté.
6. Lavez à la main les parties en tissu et laissez sécher à l'air.
7. Lubrifiez tous les organes métalliques mobiles à l'aide d'un lubrifiant à base de téflon exclusivement.

REMARQUE : L'utilisation d'un lubrifiant qui n'est pas à base de téflon risque d'endommager les organes mobiles

8. Vérifiez une fois par semaine la goupille de blocage du frein de stationnement afin de vérifier qu'elle s'insère sans gêne dans le moyeu de la roue. Ce simple contrôle garantit la sécurité de l'occupant. Lubrifiez avec un lubrifiant à base de téflon, si besoin est.
9. Inspectez et nettoyez fréquemment les points de fixation des roues. Des saletés et débris ont tendance à s'accumuler à cet endroit précis. La présence de débris dans cette zone peut entraver la performance et la sécurité de la poussette.

AVERTISSEMENT

1. Pour une performance optimale, votre dispositif doit être régulièrement inspecté. Ceci réduira également les risques de blessures dus à un éventuel dysfonctionnement de votre dispositif, les risques de dégradation ou d'usure prématurée.
2. Inspectez et entretenez cette poussette conformément aux consignes énoncées dans le présent manuel d'utilisation.
3. Si vous observez une anomalie, amenez votre poussette pour révision ou réparation avant de le réutiliser.
4. Au moins une fois par an, faites faire une révision complète de votre dispositif et un contrôle de sécurité par votre revendeur agréé.
5. Le sable et l'eau de mer (les projections de sel en hiver) endommagent la suspension des roues avant et des roues arrière. Nettoyez bien la poussette si elle a été exposée à ces éléments.

B. NETTOYAGE

Composants du châssis :

- Nettoyez avec de l'eau savonneuse une fois par mois.

Garniture :

- Lavez à la main.
- Lavez en machine selon les besoins.
- Laissez sécher naturellement. La chaleur d'un sèche-linge abîmerait le tissu.
- Exigences en matière de résistance à l'inflammation des parties rembourrées conformément à ISO 7176-16 (EN 1021-1/2).

REMARQUE : Le lavage de la toile réduira l'ignifugation du tissu.

C. CONSEILS D'ENTREPOSAGE

1. Entrez votre dispositif dans un endroit propre et sec. Cela évitera l'apparition de rouille et de corrosion sur votre fauteuil.
2. Avant d'utiliser votre poussette, vérifiez qu'il fonctionne correctement. Inspectez et entretenez tous les éléments cités dans le présent manuel.
3. Si vous n'avez pas utilisé votre dispositif depuis plus de trois mois, vous devrez le faire inspecter par un revendeur agréé avant de le réutiliser.

D. RÉUTILISATION / MISE AU REBUT / RECYCLAGE DES MATÉRIAUX**⚠ AVERTISSEMENT**

Risque d'étouffement - Gardez les matériaux d'emballage hors de portée des enfants.

Mesure d'hygiène en cas de cession du fauteuil :

Avant de laisser une autre personne utiliser le fauteuil, il convient de l'apprêter soigneusement. Toutes les surfaces entrant en contact avec le nouvel utilisateur doivent être désinfectées.

Pour ce faire, vous devez utiliser un désinfectant figurant dans la liste des produits homologués / recommandés dans votre pays, pour une désinfection rapide à base d'alcool pour produits et appareils médicaux nécessitant d'être désinfectés rapidement.

Veuillez prendre connaissance des instructions du fabricant du produit désinfectant utilisé.

En règle générale, une désinfection totale ne peut être garantie sur les coutures. Par conséquent et conformément à la réglementation locale relative à la protection contre les infections, il est recommandé de mettre au rebut la toile de l'assise et du dossier afin d'éviter toute contamination micro-bactérienne par les agents actifs.

Hebdomadaire	Trimestriel	Semestriel	Annuel	Opérations d'entretien
○				Inspection des pneus (usure excessive, fissures)
○				Efficacité du frein de stationnement (absence de glissement)
	○			Inspection visuelle afin de déceler les fixations desserrées
		○		Ceintures de sécurité et de positionnement
		○		Axe et canon d'axe (présence de débris)
	○			Axe à déverrouillage rapide (Dépose pour nettoyage)
○				Pneus des roues avant : (usure excessive, fissures)
	○			Roues avant : (niveau et déplacement fluide)
	○			Interface d'assise : (présence de débris)
		○		Châssis, mécanisme de pliage
		○		Garniture : (lavage et séchage)
			○	Entretien effectué par revendeur agréé

REMARQUE : Si ce produit a été mis à votre disposition dans le cadre d'un programme de don ou de prêt médical, il se peut qu'il ne vous appartienne pas. Si vous n'en avez plus usage, veuillez le rendre à l'organisation qui vous l'a fourni.

La section suivante décrit les différents matériaux composant le produit en vue de la mise au rebut ou du recyclage du produit et de ses matériaux d'emballage.

Renseignez-vous sur la réglementation en vigueur relative à l'élimination ou au recyclage de votre poussette. Vous serez tenu de la respecter le jour de la mise au rebut de votre poussette. (notamment le nettoyage ou la décontamination du produit avant sa mise au rebut).

- Aluminium :** Châssis, cadre du siège
- Acier :** Points de fixations, axes, vis et écrous
- Plastique :** Poignée de poussée, fourches des roues avant, roues, repose-pieds, pneus, crochet de déverrouillage
- Emballage :** Sacs en plastique composés de polyéthylène, cartons
- Garniture :** Polyester, mousse en polyuréthane

La mise au rebut ou le recyclage doit être assuré par une entreprise spécialisée ou dans une décharge publique. Vous pouvez également ramener votre poussette à votre revendeur pour sa mise au rebut.

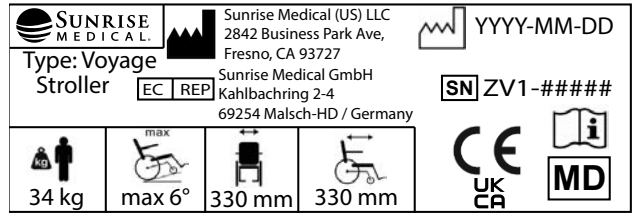
E. COMMANDER DES PIÈCES DÉTACHÉES

Plaque signalétique

La plaque signalétique est apposée sous le siège et reproduite dans le manuel d'utilisation. La plaque indique la dénomination exacte du modèle et fournit diverses informations techniques. Pour une commande de pièces de rechange ou une réclamation, indiquez SVP les informations suivantes :

- Le modèle de votre poussette.
- Le numéro de série de la poussette.
- La référence de la pièce, la description et la quantité désirée.
- La raison pour laquelle vous souhaitez remplacer cette pièce.

ECHANTILLON



TYPE:	Désignation du produit/Numéro de SKU.
	Largeur du siège.
	Profondeur (maximale).
	Charge maximale
	Marquage UKCA.
	Marquage CE.
	Veuillez prendre connaissance des consignes d'utilisation
	Date de fabrication.
	Numéro de série.
	Ce symbole signifie dispositif médical.
	Coordonnée du fabricant
	Fait l'objet d'essais de collision conformément à la norme ISO 7176-19:2008.
	Adresse de l'importateur
	Représentant européen agréé
	Personne responsable au Royaume-Uni
	Adresse du représentant en Suisse

XI. GARANTIE

CETTE GARANTIE N'AFECTE EN AUCUN CAS VOS DROITS LEGAUX.

La garantie de Sunrise Medical*, Kahlbachring 2-4, 69254 Malsch / Heidelberg est détaillée dans les conditions de garantie ci-dessous.

Conditions de garantie :

1. Si une ou plusieurs pièces de la poussette Zippie Voyage devaient être remplacées ou réparées suite à un vice de fabrication et/ou de matériel dans les 24 mois suivant la livraison au client, la ou les pièces seront remplacées ou réparées gratuitement.
2. Pour faire jouer la garantie, veuillez contacter le service client Sunrise Medical afin de préciser la nature du problème. En cas d'utilisation de la poussette Zippie Voyage dans une zone située en dehors du territoire du service après-vente (revendeur) Sunrise Medical, les réparations ou remplacements seront assurés par un autre service après-vente désigné par le fabricant. La poussette Zippie Voyage doit être réparée par un service après-vente désigné par Sunrise Medical.
3. Toute pièce réparée ou échangée dans le cadre de la garantie est couverte par la garantie pour la période restante conformément au point 1.
4. Concernant les pièces détachées d'origine installées ultérieurement et au frais du client, celles-ci sont couvertes par une garantie de 12 mois (à compter de l'installation), conformément aux présentes conditions de garantie.
5. Les pièces consommables, telles les manchettes, les pneus, les chambres à air et autres pièces similaires, ne sont pas couvertes par la garantie, à moins que l'usure prématurée de la pièce soit le résultat direct d'un défaut de fabrication.
6. La garantie ne peut être actionnée si la réparation ou l'échange de la poussette Zippie Voyage ou d'une pièce découle de l'un des cas de figure suivants :
 - a. Le produit n'a pas été entretenu ou révisé conformément aux recommandations du fabricant, telles qu'indiquées dans le manuel d'utilisation et/ou les notices d'entretien.
 - b. Les accessoires utilisés ne sont pas des accessoires d'origine.
 - c. La poussette Zippie Voyage - ou l'une de ses pièces - a été endommagée suite à un mauvais entretien, à un accident ou à une utilisation inadéquate.
 - d. Des changements/modifications non conformes aux spécifications du fabricant ont été effectués sur la poussette Zippie Voyage ou des pièces.
 - e. Les réparations ont été effectuées avant d'en avoir informé le service client.
7. Cette garantie est soumise à la loi du pays d'achat du produit auprès de Sunrise Medical*

* Le lieu Sunrise Medical depuis lequel le produit a été acheté.

SUNRISE MEDICAL È A DISPOSIZIONE

Grazie per avere scelto una carrozzina Zippie. Sunrise Medical sarà lieta di ricevere domande o commenti sul presente manuale, sulla sicurezza e sull'affidabilità del dispositivo e sul servizio ricevuto dal rivenditore. Per contattarci, è possibile usare l'indirizzo e il numero di telefono riportati di seguito.

SUNRISE MEDICAL S.R.L.
VIA RIVA 20, MONTALE
29122
PIACENZA
ITALIA
TEL.: +39 0523 573111
FAX: +39 0523 570060
WWW.SUNRISEMEDICAL.IT

Se si fornirete il vostro indirizzo e-mail, potremo mantenervi informati inviandovi informazioni aggiornate sulla sicurezza, sui nuovi prodotti e sulle opzioni per un uso migliore e più appropriato di questo dispositivo per la mobilità.

RISPOSTE ALLE DOMANDE DEGLI UTENTI

Il rivenditore autorizzato conosce i prodotti Zippie e sarà in grado di rispondere alla maggior parte delle domande sul sicurezza, uso e manutenzione.

Per riferimento futuro annotare i seguenti dati.

Rivenditore: _____

Indirizzo: _____

Telefono: _____

Numero di serie: _____ Data di acquisto: _____

INFORMAZIONI AGGIUNTIVE CHE È IMPORTANTE CONOSCERE

Nessun componente di questa carrozzina è stato realizzato utilizzando lattice di gomma naturale.

I. INTRODUZIONE	97
II. SOMMARIO	98
III. LA CARROZZINA E I SUOI COMPONENTI	99
CARROZZINA E SUOI COMPONENTI	99
ZIPPIE VOYAGE CON SEDILE COMFORT	99
IV. ATTENZIONE: LEGGERE PRIMA DELL'USO	100
A. SCEGLIERE IL PASSEGGINO E LE OPZIONI PER LA SICUREZZA APPROPRIATE	100
B. CONSULTARE SPESSO QUESTO MANUALE	100
C. AVVERTENZE	101
V. AVVISI GENERALI	102
A. PORTATA MASSIMA	102
B. IMPARARE A CONOSCERE IL DISPOSITIVO	102
C. PER RIDURRE I RISCHI DI INCIDENTE	102
D. ELENCO DEI CONTROLLI PER LA SICUREZZA	102
E. MODIFICHE E REGOLAZIONI	102
F. CONDIZIONI AMBIENTALI	103
G. USO IN STRADA	102
H. SICUREZZA DELL'USO IN VEICOLI A MOTORE	103
I. PER GLI ASSISTENTI	103
VI. AVVERTENZE: CADUTE E RIBALTAMENTI	104
A. CENTRO DI GRAVITÀ	104
B. COME VESTIRSI O CAMBIARSI	104
C. OSTACOLI	104
D. COME ALLUNGARSI O SPORGERSI	104
E. RAMPE, PENDII E COLLINE	104
F. TRASFERIMENTI	104
G. COME AFFRONTARE UN CORDOLO DI MARCIAPIEDE O UN SINGOLO GRADINO	105
H. SALITA SULLE SCALE	105
I. DISCESA DALLE SCALE	105
J. SCALE MOBILI	105
VII. AVVERTENZE: PARTI E OPZIONI	106
A. TELAIO DELLA BASE	106
B. TAVOLINO DI SOSTEGNO PER LE ESTREMITÀ SUPERIORI	106
C. DISPOSITIVI DI FISSAGGIO	106
D. APPOGGIAPIEDI	106
E. PNEUMATICI E RUOTE	106
F. FRENO DI STAZIONAMENTO	107
G. CAPACITÀ DI CARICO DEL CESTINO	107
H. CONTENITORI PER ACCESSORI	107
I. CAPOTTINA	107
J. SISTEMA DI SEDUTA	107
K. CINTURE PELVICHE DI POSIZIONAMENTO	107
L. CUSCINI	107
M. INCLINAZIONE E RECLINAZIONE	107
N. OPZIONE DI TRASPORTO SU VEICOLI E SUO UTILIZZO	107

VIII. IMPOSTAZIONE E USO	109
A. APERTURA E CHIUSURA DEL TELAIO	109
B. RUOTE ANTERIORI PIROETTANTI	110
C. RUOTE POSTERIORI	110
D. FUNZIONAMENTO DEL FRENO DI STAZIONAMENTO	110
E. INSTALLAZIONE DEL SISTEMA DI SEDUTA	111
F. RIMOZIONE DEL SISTEMA DEL SEDUTA	111
G. REGOLAZIONE DELL'ANGOLO DI INCLINAZIONE	112
H. REGOLAZIONE DELLA RECLINAZIONE	113
I. REGOLAZIONE DELL'ANGOLAZIONE DELLE GINOCCHIA	113
J. PEDANA PER RIBALTAMENTO	113
K. INSTALLAZIONE E REGOLAZIONE DELLA CAPOTTINA	114
L. ESTENSIONE DEL MANIGLIONE DI SPINTA TELESCOPICO DEL PASSEGGINO	114
IX. ASSISTENZA E REGOLAZIONI ESEGUITE DAL RIVENDITORE	115
A. REGOLAZIONI PER IL POSIZIONAMENTO E LO SVILUPPO CORPOREO	115
B. REGOLAZIONE DEL SISTEMA DI SEDUTA COMFORT	115
C. REGOLAZIONE DELL'ALTEZZA DELLE CINGHIE PER LE SPALLE:	116
D. REGOLAZIONI DELL'APPOGGIAPIEDI:	117
E. REGOLAZIONE DELLA DISTANZA DELLA SEDUTA DA TERRA	117
F. REGOLAZIONI DELLA CINTURA PELVICA DI POSIZIONAMENTO:	118
G. CINTURA PETTORALE A FARFALLA	120
H. SUPPORTI LATERALI PER IL TRONCO E PER IL CAPO (OPZIONE)	120
I. SUPPORTI ANTERIORI	121
J. SUPPORTI PER LE ANCHE (OPZIONE):	121
K. INSTALLAZIONE E REGOLAZIONE DEL TAVOLINO:	122
L. REGOLAZIONE DELLE CINGHIE PER I PIEDI (OPZIONE):	122
M. REGOLAZIONE DELLE CINGHIE PER I POSIZIONATORI PER CALZATURE (OPZIONE):	122
N. SUPPORTI PER RESPIRATORE/BATTERIE (OPZIONE):	123
O. PEDANA AGGIUNTIVA ANTERIORE O POSTERIORE (OPZIONE):	123
P. SUPPORTO PER INFUSIONE IV/SUPPORTO PER BOMBOLA DI OSSIGENO (OPZIONE):	123
Q. PORTA BICCHIERE, GANCIO AUSILIARIO (OPZIONE):	123
X. MANUTENZIONE	124
A. NOTE	124
B. PULIZIA	124
C. CONSIGLI PER LA CONSERVAZIONE	125
D. RIUTILIZZO/SMALTIMENTO/RICICLAGGIO DEI MATERIALI	125
E. ORDINAZIONE DI RICAMBI	126
XI. GARANZIA	127
XI. GARANZIA	127

CARROZZINA E SUOI COMPONENTI



1. Telaio pieghevole
2. Attacco per il tavolino
3. Attacchi posteriori per il trasporto su veicoli (opzione)
4. Dispositivi di sblocco per la chiusura
5. Pneumatico posteriore
6. Ruota a estrazione rapida
7. Cestello portaoggetti
8. Attacchi anteriori per il trasporto su veicoli (opzione)
9. Blocco ruota piroettante
10. Ruota piroettante anteriore da 7"
11. Pedana regolabile
12. Leva per la regolazione dell'appoggiapiedi
13. Supporti regolabili per le anche
14. Maniglione per il sollevamento
15. Supporti laterali regolabili
16. Supporti regolabili per il capo
17. Sistema di seduta Comfort
18. Aggancio per capottina
19. Regolazione inclinazione maniglione di spinta
20. Capottina

ZIPPIE VOYAGE CON SEDELE COMFORT

Gamma di regolazione

Tilt [basculamento]	+5° a -30°	
Recline [reclinazione]	90° a 180°	
Altezza maniglione di spinta	39-¼" a 47-¾"	(820 mm a 1210 mm)
Profondità della seduta	8" - 13"	(200 mm a 330 mm)
Larghezza seduta (all'altezza delle anche)	9,5" - 12"	(240 mm a 300 mm)
Altezza dello schienale	16,1" - 24"	(410 mm a 610 mm)

Gamma di regolazione appoggiapiedi

Parte inferiore delle gambe/piede	6,1" - 12,2"	(155 mm - 310 mm)
Regolazione angolazione appoggiapiedi	50°	

NOTA:

- Alcune opzioni potrebbero non essere possibili per alcune regolazioni del passeggino o in abbinamento con altre opzioni. Per ulteriori informazioni vi invitiamo a rivolgervi al vostro rivenditore. Per informazioni sugli accessori, rivolgersi al rivenditore autorizzato
- I singoli componenti non dovrebbero essere caricati con pesi superiori a quelli qui indicati.
- Inoltre, non si dovrebbe superare la portata massima totale del passeggino di 77 kg.
- Zippie Voyage è conforme allo standard ISO 7176-8.

Dimensioni e peso

Larghezza totale	24-½"	(615 mm)
Altezza seduta da terra	25"-23,5"-22,5"	(640 mm - 600 mm - 575 mm)
Lunghezza totale	42,5"	(1080 mm)
Altezza totale	32" - 48"	(810-1220 mm)
Lunghezza carrozzina piegata	35-½"	(800 mm)
Altezza carrozzina piegata	12,25"	(310 mm)
Larghezza carrozzina piegata	23,6"	(625 mm)
Raggio di sterzata	43,3"	(1100 mm)
Max. Pendenza max con freno di stazionamento innestato	9°	9°
Max. Peso utente	75 lbs	(34 kg)
Peso totale	42,5 lbs	(22,5 kg)
Peso della base	28 lbs	(12,7 kg)
Peso della seduta	21,5 lbs	(9,8 kg)

Portate massime

Contenitore del telaio	50 lbs	(22,5 kg)
Supporto anteriore	50 lbs	(22,5 kg)
Piattaforma posteriore	45 lbs	(20 kg)
Alloggiamento bombola ossigeno	10 lbs	(4,5 kg)
Supporto per tazza	1 lb	(0,5 kg)
Capacità di carico del cestino	15 lbs	(7 kg)
Respiratore verticale (montaggio posteriore)	15 lbs	(7 kg)

A. SCEGLIERE IL PASSEGGINO E LE OPZIONI PER LA SICUREZZA APPROPRIATE

Sunrise Medical offre diverse carrozzine/passeggini in grado di soddisfare le diverse esigenze dei bambini. Tuttavia, la scelta finale del tipo di dispositivo, delle opzioni e delle relative regolazioni dipenderà solo dall'utente e dalla persona che lo assiste. La scelta del migliore dispositivo medico e delle impostazioni che assicurino la sicurezza si basa su alcune considerazioni, tra cui:

1. Il livello di disabilità, di forza, di capacità di equilibrio, di coordinazione e dei limiti di abilità del bambino.
2. I pericoli che si devono affrontare quotidianamente (luogo di residenza e di lavoro) e presenti in altri luoghi nei quali si farà uso del dispositivo.
3. La necessità di opzioni per la sicurezza e il comfort del bambino.

UTILIZZO: Il passeggino Zippie Voyage è un dispositivo medico per consentire la mobilità in presenza di un assistente (non è prevista la gestione manuale autonoma) a persone di peso inferiore a 34 kg (75 lb) e costrette in posizione seduta. Questo prodotto non può essere utilizzato per accompagnare il bimbo quando si corre, si pattina, o altro.

DURATA: La vita utile prevista per questo prodotto è di 5 anni.

Il sistema di gestione di SUNRISE MEDICAL è certificato secondo gli standard ISO 13485 e ISO 14001.

SUNRISE MEDICAL ha ottenuto la certificazione ISO-13485 che certifica la qualità dei suoi prodotti in ogni fase del loro processo di realizzazione, dalla ricerca e sviluppo alla produzione. Questo prodotto è conforme agli standard definiti dalle regolamenti UE e nel Regno Unito.

Per la scelta del modello, occorre anche considerare la statura e il peso corporeo, le condizioni psicofisiche, l'età dell'utente e l'ambiente in cui vive.

NOTA: Avvertenza generale per l'utente. La mancata osservanza di queste istruzioni potrebbe causare lesioni fisiche, danneggiare il prodotto o l'ambiente!

In caso di incidente grave all'utente e/o al paziente riconducibile all'uso di questo dispositivo si deve inviare una comunicazione al fabbricante e alle Autorità competenti dello Stato membro di residenza dell'utente e/o del paziente.



In quanto fabbricante, SUNRISE MEDICAL dichiara che questo prodotto sono conformi a quanto previsto dal Regolamento Dispositivi medici (2017/745).

Personalizzazioni B4Me

Per garantire il corretto funzionamento del prodotto personalizzato B4Me, Sunrise Medical raccomanda vivamente di leggere con attenzione, prima del primo utilizzo, tutte le istruzioni ricevute con il prodotto B4Me. Sunrise Medical raccomanda inoltre di conservare in modo sicuro le istruzioni ricevute, per eventuale riferimento futuro.

Combinazione di più dispositivi medici

Questo dispositivo medico può essere utilizzato in combinazione con altri dispositivi medici o altri prodotti. Informazioni sul possibile utilizzo di più dispositivi in combinazione sono disponibili sul sito www.Sunrisemedical.it. Tutte le combinazioni elencate sono state convalidate per soddisfare i Requisiti Generali di Sicurezza e Prestazioni, Sezione 14.1 del Regolamento Dispositivi Medici 2017/45.

Sul sito www.SunriseMedical.it sono disponibili le informazioni relative alle combinazioni possibili, come ad esempio le istruzioni per il montaggio.

La varietà dell'equipaggiamento ne consente l'impiego da parte di utenti non in grado di camminare o con mobilità limitata a causa di:

- Paralisi
- Perdita di uno o di entrambi gli arti inferiori (amputazione)
- Difetti/Deformità degli arti inferiori
- Contratture/Danni articolari
- Malattie quali insufficienza cardiaca o circolatoria, disturbi dell'equilibrio, disfunzioni muscoloscheletriche/neuromuscoloscheletriche.

Non lasciare mai il bambino seduto sul passeggino senza la presenza di un genitore o di un accompagnatore.

NOTA:

Tenere presente che la guida di una carrozzina richiede capacità cognitive, fisiche e visive adeguate. L'utente, quando usa la carrozzina, deve essere in grado di valutare gli effetti delle proprie azioni e, se necessario, correggerle. Sunrise Medical, in quanto fabbricante, non è in grado di valutare tali capacità e l'uso in condizioni di sicurezza di eventuali componenti aggiuntivi installati sul prodotto. Sunrise Medical non può accettare alcuna responsabilità per danni derivanti da un uso del prodotto non previsto o non corretto.

Fare riferimento alle istruzioni per l'uso della carrozzina e dei componenti aggiuntivi installati. Mettere al corrente l'utente sull'uso in sicurezza della carrozzina e dei componenti aggiuntivi installati. Mettere al corrente l'utente sulle avvertenze specifiche che dovrà leggere, comprendere e rispettare.

B. CONSULTARE SPESSO QUESTO MANUALE

Prima di usare il dispositivo, l'utente e gli eventuali assistenti devono leggere il presente manuale per intero e assicurarsi di seguire le istruzioni in modo corretto. Studiare le avvertenze fino a quando non si conoscono perfettamente.

C. AVVERTENZE

La parola "AVVERTENZA" fa riferimento a un rischio o a una pratica pericolosa che potrebbe causare gravi lesioni o la morte dell'utente o di altre persone. Le "avvertenze" sono suddivise in tre sezioni principali, descritte di seguito.

1. V — AVVERTENZE GENERALI

In questa sezione viene presentato un elenco dei controlli di sicurezza e un riepilogo dei rischi ai quali fare attenzione prima di utilizzare questo dispositivo.

2. VI — AVVERTENZE — CADUTE E RIBALTAMENTI

In questa sezione si imparerà come evitare cadute o ribaltamenti nel corso delle attività quotidiane svolte con il dispositivo.





3. VII — AVVERTENZE — UTILIZZO IN SICUREZZA

Questa sezione indica come utilizzare il dispositivo in condizioni di sicurezza.

4. VIII — AVVERTENZE — COMPONENTI E OPZIONI

Questa sezione descrive i componenti del dispositivo e le opzioni di sicurezza disponibili. Consultare il rivenditore autorizzato e l'assistente sanitario per farsi aiutare a scegliere l'assetto migliore e le opzioni più sicure.

NOTA: Quando necessario, nelle varie sezioni di questo manuale troverete anche altre avvertenze per la sicurezza. La tabella seguente riporta un elenco di queste avvertenze e il loro significato. Si raccomanda di fare attenzione a tutte le avvertenze per la sicurezza. In caso contrario si rischia di cadere, ribaltarsi o perdere il controllo e causare lesioni gravi a se stessi e/o agli altri.

Termine	Definizione
 ATTENZIONE!	Informa l'utilizzatore di possibili rischi di gravi lesioni o di decesso nel caso in cui la raccomandazione non venga seguita
 AVVERTENZA!	Informa l'utilizzatore di possibili rischi nel caso in cui la raccomandazione non venga seguita
 ATTENZIONE!	Informa l'utilizzatore dei possibili rischi all'apparecchiatura nel caso in cui la raccomandazione non venga seguita
NOTA:	Raccomandazione generale o procedura consigliata
	Riferimento a documentazione supplementare

A. PORTATA MASSIMA**⚠ AVVERTENZA**

1. Il peso massimo dell'occupante non deve MAI essere superiore a 34 kg (75 lb). Il superamento di tale limite potrebbe danneggiare il dispositivo, causare cadute o ribaltamenti, oppure la perdita di controllo del passeggino, con conseguenti lesioni all'utente o a terze persone.
2. Non agganciare mai al maniglione del passeggino o allo schienale oggetti di peso superiore a 2,3 kg. Si rischia di provocare la caduta, il ribaltamento o la perdita di controllo del passeggino.

B. IMPARARE A CONOSCERE IL DISPOSITIVO**⚠ AVVERTENZA**

Prima di usare questo prodotto, leggere attentamente l'intero manuale d'uso. Sarebbe molto importante ricevere una formazione da parte dell'operatore sanitario su come utilizzare in sicurezza questo prodotto.

C. PER RIDURRE I RISCHI DI INCIDENTE**⚠ AVVERTENZA**

1. Non utilizzare questo dispositivo PRIMA di aver ricevuto l'adeguata formazione sul suo uso in sicurezza da parte dell'operatore sanitario.
2. Fare delle prove di trasferimento del bambino per rendersi conto dei propri limiti e delle capacità motorie del bambino. Per evitare cadute o ribaltamenti del passeggino, chiedere sempre aiuto a qualcuno.
3. Ricordare sempre che l'utente deve imparare ad utilizzare questo prodotto in base alle proprie capacità.
4. NON provare una nuova manovra da soli fino a quando non si sia sicuri di poterla eseguire senza rischi.
5. Valutare dove si prevede di usare il dispositivo, la presenza di eventuali rischi e imparare ad evitarli.

D. ELENCO DEI CONTROLLI PER LA SICUREZZA**⚠ AVVERTENZA**

Prima di ogni utilizzo del passeggino:

1. Regolare i freni di stazionamento per assicurarne le corrette prestazioni. Prima di trasferire il bambino sul passeggino, azionare sempre i freni di stazionamento.
2. Verificare che il passeggino si muova liberamente e che tutti i suoi componenti funzionino in modo corretto. Prestare attenzione ai rumori, alle vibrazioni o alle variazioni nella facilità d'uso (possono essere un segnale di presenza di elementi di serraggio allentati o di altri tipi di danni).
3. Risolvere ogni problema che si dovesse presentare. Il rivenditore autorizzato è disponibile per assistere nella rilevazione e nella soluzione di qualsiasi problema.
4. Verificare il corretto inserimento e blocco degli pneumatici/ assi posteriori su entrambi i lati del passeggino. In caso contrario, la ruota potrebbe staccarsi e causare la caduta del bambino.
5. Non fare mai sedere il bambino su un passeggino non completamente aperto e bloccato.
6. Dopo aver regolato la lunghezza del maniglione di spinta, verificare che sia bloccato in posizione.
7. Quando il bambino è seduto nel passeggino usare sempre la cintura pelvica di posizionamento.
8. Non lasciare mai il bambino incustodito.
9. PERICOLO DI SOFFOCAMENTO – Questo ausilio per la mobilità contiene piccole parti che in certe circostanze possono costituire un rischio di soffocamento per i bambini piccoli.

E. MODIFICHE E REGOLAZIONI**⚠ AVVERTENZA**

1. Per la regolazione della seduta e degli accessori per adattarli allo sviluppo corporeo del bambino, consultare l'assistente sanitario.
2. Le modifiche non autorizzate o l'uso di parti non fornite o approvate da Sunrise Medical possono alterare la struttura del prodotto e renderlo pericoloso. In questo caso la garanzia sarà considerata nulla.

F. CONDIZIONI AMBIENTALI**⚠ AVVERTENZA**

1. Il passeggino è stato progettato per essere utilizzato su superfici stabili e uniformi: calcestruzzo, asfalto, pavimentazioni interne e superfici moquette.
2. Prestare particolare attenzione quando si usa questo dispositivo su superfici bagnate o scivolose. Se non ci si sente sicuri, chiedere l'assistenza di qualcuno.
3. Non usare il passeggino su superfici sabbiose, instabili o sconnesse.
4. Se il passeggino viene esposto alla luce diretta del sole per un tempo prolungato, i suoi componenti (per es., telaio, pedane, freni) potrebbero diventare particolarmente caldi (>41 °C).
5. Fare attenzione ad evitare il contatto con il fuoco, in particolare con le sigarette. Mantenerlo lontano da possibili fonti di incendio. I rivestimenti della seduta e dello schienale potrebbero incendiarsi.

G. USO IN STRADA**⚠ AVVERTENZA**

1. Quando si usa questo dispositivo, evitare, per quanto possibile, di occupare la sede di circolazione stradale.
2. Questo prodotto deve essere usato su marciapiedi o percorsi pedonali nel rispetto delle norme di circolazione dei pedoni.
3. Nei parcheggi, fare attenzione ai pericoli generati dai veicoli in circolazione.
4. Di notte, o in condizioni di scarsa illuminazione, utilizzare nastri o abbigliamento riflettente per rendersi ampiamente visibili.
5. Quando si deve attraversare una strada fare attenzione ai comportamenti dei conducenti di veicoli. Se si hanno dei dubbi, dare la precedenza finché non si è sicuri di potere procedere.
6. In base agli standard ANSI/RESNA, quando si usa regolarmente la carrozzina per superare ostacoli di 1/2" (12,7 mm) Sunrise Medical raccomanda di utilizzare sempre ruote piroettanti con diametro minimo di 5" (127 mm).
7. La carrozzina è stata ideata per l'uso su superfici solide e regolari, per esempio cemento, asfalto, pavimenti e tappeti.
8. Non utilizzare il passeggino su superfici sabbiose, non stabili o su terreni rocciosi.
9. Se il passeggino viene utilizzato su terreni più accidentati di quelli sopra descritti, le vibrazioni potrebbero causare l'allentamento di viti e bulloni causando danni alle ruote o agli assi con conseguente rischio di caduta dell'utente, di ribaltamenti o di perdita di controllo del dispositivo.

Se non ci si attiene alle istruzioni sopra riportate, si rischia di danneggiare la carrozzina, cadere, ribaltarsi o perdere il controllo della carrozzina e causare lesioni gravi a se stessi o agli altri.

H. SICUREZZA DELL'USO IN VEICOLI A MOTORE**⚠ AVVERTENZA**

Come indicato sulla copertina di questo manuale, verificare se il dispositivo utilizzato è dotato dell'opzione per il trasporto su veicoli. Se il sistema di seduta NON è equipaggiato con le opzioni per il trasporto su veicoli:

1. Non usarlo MAI come seggiolino su un veicolo di trasporto.
2. Trasferire SEMPRE l'utente su un sedile approvato per il trasporto di persone del veicolo.
3. Legare SEMPRE l'utente con il sistema di ritenuta del veicolo a motore.
4. In caso di incidente, o di brusca frenata, il bambino potrebbe venire "espulso" dal sedile. Le cinture pelviche di posizionamento del passeggino non eviteranno questa eventualità e il loro uso, inoltre, potrebbe causare ulteriori lesioni.
5. Non sistemare MAI questo sistema di seduta sul sedile anteriore del veicolo, in quanto si corre il rischio di causare lesioni gravi, o la morte, del bambino o del conducente.
6. Quando lo si trasporta su un veicolo, fissare SEMPRE il sistema di seduta in modo che non possa rotolare o muoversi.
7. Non utilizzare questo dispositivo se è stato coinvolto in un incidente durante il trasporto su un veicolo a motore. Se il dispositivo è dotato dell'opzione per il trasporto su veicoli, fare riferimento alla Sezione VII. "Opzione di trasporto su veicoli e suo utilizzo".

I. PER GLI ASSISTENTI**⚠ AVVERTENZA**

1. Collaborare con l'operatore sanitario che si occupa della salute del bambino per apprendere le procedure di sicurezza più adatte alle capacità di chi assiste il bambino e a quelle del bambino stesso.
2. Per evitare possibili danni alla schiena quando si deve sollevare o inclinare il passeggino, si consiglia di assumere una postura corretta.
3. Quando si inclina il passeggino all'indietro, ricordare al bambino di appoggiarsi indietro.
4. Quando si scende da un marciapiede, o da un gradino, abbassare lentamente il passeggino con un solo movimento uniforme.
5. Non lasciare MAI incustodito il bambino sul passeggino.
6. Quando si devono effettuare delle regolazioni al passeggino, azionare sempre il freno di stazionamento e bloccare le ruote anteriori piroettanti per evitare che si possa muovere involontariamente.
7. In questi casi si raccomanda di afferrare sempre il passeggino agendo sui componenti fissi (per es., non l'appoggiapiedi).
8. Non sollevare mai il passeggino con il bambino seduto dentro.

A. CENTRO DI GRAVITÀ**⚠ AVVERTENZA**

I dispositivi di mobilità sono progettati per dare stabilità e performance. Il punto in cui il dispositivo si ribalta in avanti, all'indietro o lateralmente dipende dal centro di gravità e dalla stabilità del dispositivo stesso. Il centro di gravità può cambiare se vengono modificati:

- altezza e angolo della seduta.
- angolo dello schienale.
- Modifica della posizione del corpo, della postura o della distribuzione del peso del bambino.
- Spinta del passeggino su rampe o pendenze.
- Se si utilizza uno zaino o altre opzioni con conseguente aumento di peso.
- Uso di respiratori, batterie, bombole di ossigeno o altre opzioni, e aumenta quindi il peso totale del passeggino.

Mantenimento del corretto centro di gravità e di un buon equilibrio:

- Per assistenza su come impostare correttamente il passeggino consultare l'operatore sanitario e/o il fornitore.
- PRIMA di modificare o regolare il passeggino consultare il rivenditore autorizzato o l'operatore sanitario.

B. COME VESTIRSI O CAMBIARSI**⚠ AVVERTENZA**

Il peso del bambino può variare quando lo si veste o gli si cambiano gli indumenti mentre si trova nel passeggino.

Per ridurre i rischi di caduta o di ribaltamento quando si cambiano gli indumenti o i pannolini al bambino:

- Girare le ruote anteriori piroettanti in modo che puntino in avanti.
- Azionare il freno di stazionamento.

C. OSTACOLI**⚠ AVVERTENZA**

Gli ostacoli e altri pericoli stradali (per es., buche o fondo stradale rotto) possono danneggiare il passeggino e causare cadute, ribaltamenti o perdita di controllo.

Per evitare questi rischi, attenersi alle istruzioni riportate di seguito:

- Valutare con attenzione l'area antistante da percorrere con il passeggino per verificare la presenza di condizioni di pericolo.
- Verificare che la pavimentazione antistante sia uniforme e senza ostacoli.
- In corrispondenza delle porte di accesso o di uscita installare una rampa. Assicurarsi che alla fine della rampa non vi sia un'interruzione.

D. COME ALLUNGARSI O SPORGERSI**⚠ AVVERTENZA**

Quando il bambino si estende o si sporge in avanti tale movimento influirà sul punto di equilibrio del passeggino, con conseguenti rischi di caduta o di ribaltamento.

- Non consentire MAI al bambino di estendersi o di sporgersi in avanti se questa azione richiede che il corpo si sollevi dal passeggino.
- Se il bambino si deve sporgere per raggiungere un oggetto, spostare il passeggino il più vicino possibile all'oggetto da afferrare e ruotare le ruote anteriori piroettanti portandole il più possibile in posizione rivolta in avanti.

NOTA: Per farlo, procedere come segue: Spingere il passeggino oltre l'oggetto che il bambino desidera afferrare e, quindi, farlo retrocedere.

E. RAMPE, PENDII E COLLINE**⚠ AVVERTENZA**

Quando si spinge un passeggino lungo una pendenza, come rampe o pendii, il punto di equilibrio cambierà. Qui di seguito vengono forniti alcuni suggerimenti per la sicurezza.

1. Non portare il passeggino su tratti con pendenze superiori al 10%. (Se la pendenza è pari al 10%, significa che si sale di un metro ogni volta che si percorrono 10 metri).
2. Quando si affronta una pendenza o una rampa non girare né cambiare direzione.
3. Per la sicurezza del bambino, le rampe utilizzate in casa o sul luogo di lavoro devono essere conformi ai requisiti legali previsti.
4. Rimanere sempre al CENTRO della rampa.
5. Usare rampe con protezioni laterali (o con bordi rialzati di almeno 76 mm).
6. Quando si percorrono rampe o pendii in discesa o in salita, procedere sempre in linea retta.
7. Non fermarsi su un pendio ripido.
8. Fare attenzione alla presenza di possibili "scalini" alla fine di una pendenza o di una rampa.
9. Non utilizzare il freno di stazionamento per rallentare la corsa o per arrestare il passeggino.
10. Fare attenzione quando si percorrono tratti bagnati o scivolosi, soprattutto se ci si trova in pendenza.
11. Non reclinare o inclinare la seduta quando si procede in salita.
12. Se si hanno dei dubbi sulla stabilità del passeggino, chiedere aiuto.

F. TRASFERIMENTI**⚠ AVVERTENZA**

1. Chiedere assistenza all'operatore sanitario per imparare i metodi di trasferimento o di sollevamento del bambino.
2. Farsi aiutare da qualcuno fino a quando non si sarà appreso come agire da soli per trasferire in sicurezza il bambino.
3. Spostare il passeggino in più vicino possibile a dove si desidera trasferire il bambino.
4. Girare le ruote anteriori piroettanti fino a quando punteranno in avanti.
5. Prima del trasferimento, azionare il freno di stazionamento. In questo modo, durante il trasferimento, si eviterà che il passeggino si possa spostare.
6. Quando si deve accomodare il bambino nel passeggino, posizionarlo sul sedile nella posizione più arretrata possibile. In questo modo si ridurranno i rischi che il passeggino si possa ribaltare e/o allontanare.

G. COME AFFRONTARE UN CORDOLO DI MARCIAPIEDE O UN SINGOLO GRADINO**⚠ AVVERTENZA**

Per scendere o salire un gradino, o per affrontare il cordolo di un marciapiede, procedere come segue. Se sul passeggino è montato il cestino o la pedana posteriore, non cercare di salire su un cordolo di marciapiede o di affrontare un gradino di altezza superiore a 100 mm. Questa condizione potrebbe causare lesioni all'assistente, influire eccessivamente sul punto di equilibrio e causare il ribaltamento del passeggino e/o danneggiarlo.

Discesa da un marciapiede o da un gradino procedendo all'INDIETRO:

1. Posizionarsi dietro il passeggino.
2. Qualche metro prima di raggiungere il bordo del marciapiede o del gradino, girare il dispositivo di 180° e tirarlo verso di sé.
3. Controllando sempre dietro di sé, scendere attentamente dal marciapiede o dal gradino.
4. Tirare il passeggino verso di sé fino a quando le ruote posteriori si troveranno in corrispondenza del bordo del cordolo del marciapiede o del gradino. Quindi lasciare che le ruote posteriori scendano lentamente al livello inferiore.
5. Quando le ruote posteriori saranno saldamente posizionate sul livello inferiore, inclinare indietro il passeggino fino a raggiungere il punto di equilibrio. Le ruote anteriori si solleveranno oltre il marciapiede o il gradino.
6. Mantenere in equilibrio il passeggino e retrocedere ulteriormente di alcuni passi. Girare il passeggino e abbassare delicatamente le ruote anteriori piroettanti fino a quando saranno a contatto con il terreno.

Salita su un marciapiede o su un gradino procedendo in AVANTI:

1. Posizionarsi dietro il passeggino.
2. Portarsi davanti al cordolo del marciapiede e inclinare il passeggino facendo leva sulle ruote posteriori fino a quando le ruote anteriori piroettanti saranno a un'altezza superiore rispetto a quella del cordolo o del gradino.
3. Spingere la carrozzina in avanti assicurandosi che le ruote anteriori si trovino sul livello superiore, oltre il bordo.
4. Continuare a spingere la carrozzina in avanti fino a quando le ruote posteriori non raggiungano il bordo del marciapiede o del gradino. Quindi sollevare le ruote posteriori sul livello superiore.

H. SALITA SULLE SCALE**⚠ AVVERTENZA**

1. Non salire le scale se sul passeggino è stato montato il cestino.
2. Per salire una scala quando il bambino è seduto nel passeggino saranno necessarie almeno due persone.
3. Quando si salgono le scale, il bambino e il passeggino devono essere rivolti INDIETRO.
4. Spostare il passeggino afferrandolo SEMPRE PER IL TELAIO, e non per l'appoggiapiedi, per le ruote, per i vari supporti o per gli altri componenti rimovibili del passeggino.
5. La persona che si trova dietro il passeggino ne avrà il controllo, e dovrà inclinarlo fino a raggiungere il suo punto di equilibrio.
6. La seconda persona, davanti al passeggino, dovrà afferrarlo saldamente per un elemento non rimovibile del telaio e sollevarlo per affrontare i vari gradini della scala.
7. Procedere con un gradino alla volta fino a raggiungere la cima della scala.

I. DISCESA DALLE SCALE**⚠ AVVERTENZA**

1. Non scendere una scala se sul passeggino è stato montato il cestino.
2. Per scendere una scala quando il bambino è seduto nel passeggino saranno necessarie almeno due persone.
3. Il passeggino e il bambino dovranno essere rivolti IN AVANTI rispetto alla scala.
4. Spostare il passeggino afferrandolo SEMPRE PER IL TELAIO e non per l'appoggiapiedi, per le ruote, per i vari supporti o per gli altri componenti rimovibili del passeggino.
5. La persona che si trova dietro il passeggino ne avrà il controllo, e dovrà inclinarlo fino a raggiungere il suo punto di equilibrio e spingerlo fino al bordo del gradino più alto.
6. La seconda persona, sul terzultimo scalino, afferra il telaio. Quindi fa scendere il dispositivo un gradino alla volta lasciando che le ruote posteriori superino il bordo del gradino.
7. Procedere con un gradino alla volta fino a raggiungere la fine della scala.

J. SCALE MOBILI**⚠ AVVERTENZA**

Non usare MAI il passeggino sulle scale mobili, anche in presenza di un secondo assistente.

⚠ AVVERTENZA

Questo dispositivo è stato provato e approvato solo con accessori Sunrise originali. L'uso di accessori non espressamente approvati da Sunrise Medical invaliderà la garanzia e potrebbe aumentare i rischi per l'assistente e per il bambino.

A. TELAIO DELLA BASE**⚠ AVVERTENZA**

Prima di qualunque utilizzo, verificare i cavi e i pulsanti di blocco/sgancio per accertarsi che siano in buone condizioni. Prima di fare sedere il bambino, verificare che la base del telaio sia bloccata.

B. TAVOLINO DI SOSTEGNO PER LE ESTREMITÀ SUPERIORI**⚠ AVVERTENZA**

Prima di montare o smontare il tavolino dal passeggino, orientare le ruote anteriori piroettanti in modo che puntino avanti ed azionare il freno di stazionamento. In questo modo si eviterà che il passeggino possa muoversi mentre si monta il tavolino. La portata massima del tavolino di sostegno è di 23 kg (50 lb).

1. Non sollevare il passeggino afferrandolo per i montanti del tavolino di sostegno.
2. Dopo averlo applicato al passeggino, verificare SEMPRE che il tavolino sia correttamente bloccato in posizione.

C. DISPOSITIVI DI FISSAGGIO**⚠ AVVERTENZA**

Molte delle viti e dadi di questo prodotto sono considerati dispositivi di fissaggio speciali ad alta resistenza. Per garantire la sicurezza dell'utente e dell'assistente richiedono controlli e manutenzione periodici.

1. La maggior parte delle regolazioni prevede che la rimozione degli elementi venga eseguita da un centro di assistenza.
2. Usare solo i dispositivi di fissaggio forniti da un rivenditore autorizzato (o dispositivi dello stesso tipo e di pari resistenza, come specificato dalle indicazioni sul dispositivo stesso).
3. Non serrare eccessivamente o in modo insufficiente i dispositivi di fissaggio. Non appena possibile, serrare le viti e i bulloni che risultano allentati.

D. APPOGGIAPIEDI**⚠ AVVERTENZA**

1. Le regolazioni dell'appoggiatesta, quando si trova in alcune posizioni, possono interferire con la parte anteriore/inferiore del telaio. Tale interferenza può influire sulla comodità e sul corretto supporto del bambino quando è seduto nel passeggino.
2. Evitare di sovraccaricare l'appoggiatesta. Il passeggino potrebbe ribaltarsi in avanti (o indietro se il sistema di seduta è stato ruotato).
3. Non sollevare mai il passeggino afferrandolo per l'appoggiatesta.
4. Durante il trasferimento non rimanere in piedi sulla pedana. Rimanere in piedi sulla pedana potrebbe fare ribaltare la carrozzina in avanti.
5. Per posizionare o prelevare il bambino dal passeggino, accertarsi di trovarsi in una posizione stabile.

E. PNEUMATICI E RUOTE**⚠ AVVERTENZA**

1. Per assicurare un buon livello di movimento su ogni terreno, si consiglia di effettuare un'ispezione annuale dell'usura degli pneumatici.
2. Quando si montano le ruote/pneumatici anteriori o posteriori, farle scorrere lungo l'asse fino a quando il pulsante di sgancio scatta in posizione protrusa e si sente un clic. A questo punto la ruota sarà correttamente posizionata e bloccata.
3. In presenza di pneumatici danneggiati, richiederne la sostituzione all'operatore sanitario.

F. FRENO DI STAZIONAMENTO**⚠ AVVERTENZA**

Non usare mai il freno di stazionamento per rallentare o arrestare un passeggino in movimento. Per evitare che le ruote si possano muovere quando si trasferisce il bambino o l'intero sistema di seduta, azionare sempre il freno di stazionamento.

G. CAPACITÀ DI CARICO DEL CESTINO**⚠ AVVERTENZA**

Il cestello di carico di questo passeggino è in grado di sopportare un carico di 7 kg (15 lb). Un peso eccessivo potrebbe portare a condizioni di instabilità o di pericolo.

H. CONTENITORI PER ACCESSORI**⚠ AVVERTENZA**

I contenitori per accessori non dovrebbero venire usati per trasportare pesi eccessivi o un'apparecchiatura non approvata da Sunrise Medical. Ciò potrebbe generare una condizione di instabilità e di pericolo per il bambino o per l'assistente.

I. CAPOTTINA**⚠ AVVERTENZA**

Quando si usa una capottina, verificarne la stabilità controllando i morsetti che la fissano alla base.

J. SISTEMA DI SEDUTA**⚠ AVVERTENZA**

NON modificare il sistema di seduta né altri componenti del passeggino prima di aver consultato l'operatore sanitario.

K. CINTURE PELVICHE DI POSIZIONAMENTO**⚠ AVVERTENZA**

Le cinture di posizionamento devono essere usate **ESCLUSIVAMENTE** per contribuire alla corretta postura del bambino.

1. Accertarsi che il bambino non possa scivolare sul sedile del passeggino. Le cinture devono essere strette, senza però interferire con la respirazione. Assicurarsi che tra la cintura e l'utente si possa infilare una mano aperta, piatta.
2. Utilizzare le cinture di posizionamento solo se il bambino è collaborativo. Accertarsi di poter rimuovere le cinture in caso di emergenza.
3. **NON** usare le cinture pelviche nei seguenti casi:
 - Come cintura di sicurezza per bloccare il bambino.
 - Su un bambino in stato comatoso, agitato o soggetto a crisi epilettiche.
 - Come cintura di sicurezza su un veicolo, a eccezione di quelle comprese dall'opzione per il trasporto su veicoli che mantengono il bambino in posizione.

L. CUSCINI**⚠ AVVERTENZA**

Questo sistema di seduta per passeggino è stato progettato per essere comodo e per fornire un corretto sostegno posturale. Se è necessario apportare modifiche alla seduta, consultare l'operatore sanitario.

M. INCLINAZIONE E RECLINAZIONE**⚠ AVVERTENZA**

L'uso dei dispositivi per la regolazione dell'inclinazione o della reclinazione prima di aver adottato le necessarie precauzioni potrebbe influire sull'equilibrio e sulla stabilità del passeggino. **PRIMA** di procedere con queste regolazioni tenere in considerazione quanto segue.

1. Il bambino deve essere ben seduto e legato con la cintura in dotazione.
2. Le ruote anteriori piroettanti devono essere rivolte in avanti e sarà necessario azionare il freno di stazionamento.
3. Prima e dopo aver apportato delle regolazioni all'inclinazione o alla reclinazione, accertarsi **SEMPRE** che il passeggino si trovi su una superficie piana e stabile.
4. Quando si sblocca il dispositivo di rilascio sostenere **SEMPRE** il sistema di seduta.

N. OPZIONE DI TRASPORTO SU VEICOLI E SUO UTILIZZO Fig. 1.0 - Fig. 3.0

NOTA: Il passeggino Zippie Voyage è stato sottoposto alle prove di trasporto su veicoli ed è conforme agli standard ISO 7176-19 per il trasporto di bambini di peso compreso tra 22 e 34 kg. Durante il trasporto, il bambino deve indossare le cinture di sicurezza a 3 punti di ancoraggio in dotazione al veicolo, con le cinture di trasporto su veicoli agganciate agli anelli di ancoraggio anteriori e posteriori (A).

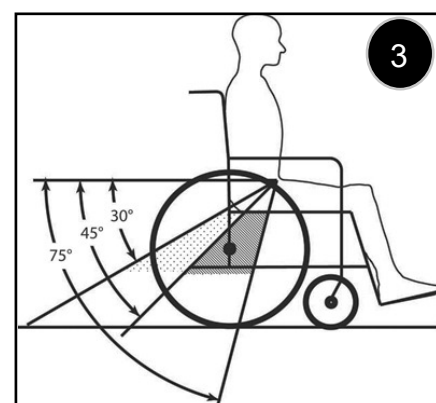
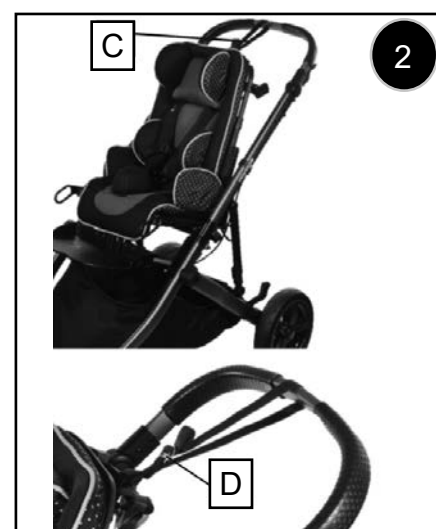
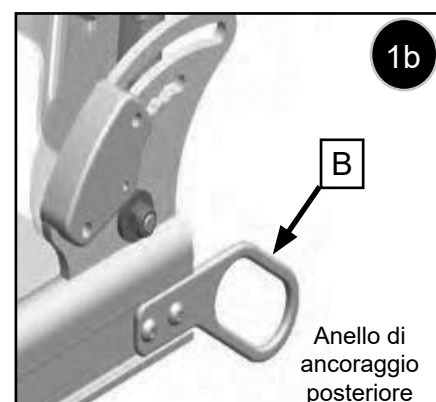
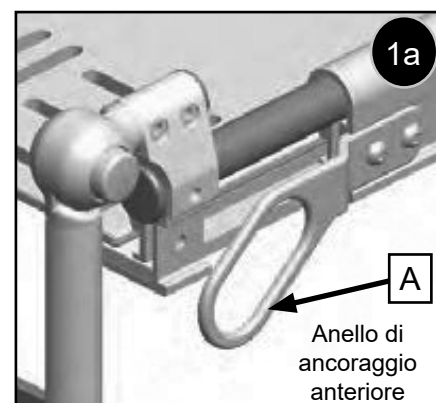
⚠ AVVERTENZA**PESO DELL'UTENTE INFERIORE A 22 Kg**

Qualora l'utente da trasportare sia un bambino di peso inferiore a 22 kg e il veicolo impiegato abbia meno di otto (8) posti passeggero, si raccomanda l'uso di un sistema di ritenuta per bambini (SRB) conforme al Regolamento n. 44 dell'UNECE. Questo tipo di sistema di ritenuta fornisce un ancoraggio più efficace per l'utente rispetto al sistema convenzionale a 3 punti; inoltre, alcuni sistemi SRB prevedono anche supporti posturali per aiutare a mantenere il bambino in posizione corretta quando è seduto.

In alcune circostanze, genitori o assistenti potrebbero decidere di lasciare il bambino sulla carrozzina durante il trasporto, grazie al livello di controllo della postura e al comfort garantito dall'assetto della carrozzina.

In queste circostanze, si raccomanda di richiedere all'accompagnatore, o ad altre persone competenti, di effettuare una valutazione dei rischi.

1. Durante il trasporto su un veicolo, il bambino dovrà essere rivolto nel senso di marcia.
2. Utilizzare i sistemi di posizionamento e di ancoraggio (WTORS) del passeggino.
3. Quando si trasporta un bambino su un veicolo si dovranno usare sistemi di ancoraggio omologati ISO 10542.
4. Il bambino dovrà indossare una cintura di sicurezza a 3 punti in dotazione al veicolo.
5. In tutte le situazioni di trasporto su un veicolo utilizzare le cinture di trasporto (C) fornite con il passeggino che fissano la struttura del sistema di seduta al telaio posteriore. Per la sicurezza del bambino, è particolarmente importante che la cintura di fissaggio venga fatta passare attraverso i due anelli a "D" (D), come mostrato in Fig. 2.
6. Eventuali accessori montati sul passeggino, come tavolino, apparecchiature di respirazione e batterie, dovranno essere smontati e fissati separatamente. Prima di utilizzare il passeggino su un veicolo, sarà necessario anche rimuovere e fissare separatamente i supporti opzionali per il respiratore, per l'ossigeno e per l'infusione intravenosa (IV).
7. Il peso del bambino non deve essere superiore a 34 Kg. (34 kg).
8. In Fig. 1a e 1b vengono indicate le posizioni dei punti di ancoraggio (A) (B) del sedile, segnalati anche da un'apposita etichetta che ne facilita l'identificazione.
9. Utilizzarli sempre con i sistemi di posizionamento e di ancoraggio (WTORS) omologati ISO 10542 e installati in conformità alle istruzioni fornite dal fabbricante. Agganciare i WTORS ai punti di ancoraggio (A) (B) attenendosi alle istruzioni fornite dal fabbricante e alla normativa SAE J224.
10. L'angolazione della cintura pelvica deve essere compresa nella zona di preferenza compresa fra 45° a 75° rispetto al piano orizzontale, oppure nella zona opzionale compresa tra 30° a 45° sempre rispetto al piano orizzontale (Fig. 3).
11. La cintura pelvica dovrebbe essere posizionata al di sotto dell'area anteriore del bacino. Posizionare le cinture toraciche facendole passare sopra le spalle. I componenti del passeggino non devono interferire con il contatto della(e) cintura(e) con il corpo. Verificare che le cinture non siano attorcigliate.
12. Se durante il trasporto su un veicolo è necessario conservare una posizione reclinata, lo schienale del sedile deve essere posizionato a un'angolazione non superiore a 30° rispetto al piano verticale; in caso contrario, in caso di incidente o di tamponamento, il bambino sarebbe a rischio di lesioni.
13. Fissare tutti i sistemi di ritenuta del bambino in base alle istruzioni del produttore e allo standard ISO 10542.
14. Per il trasporto su un veicolo, rimuovere la capottina, la barra di sicurezza, il tavolino, il supporto per gli accessori e la pedana posteriore.
15. Rimuovere il contenuto del cestino.



Cercare questo simbolo sul passeggino: segnala i punti di ancoraggio del passeggino omologati ISO 7176-19 (2008).

A. APERTURA E CHIUSURA DEL TELAIO

⚠ AVVERTENZA

1. I dispositivi Zippie sono stati realizzati per offrire stabilità e performance. Durante l'utilizzo, il telaio dovrà essere completamente aperto e bloccato per evitare possibili lesioni al bambino.
2. Attenersi attentamente alle istruzioni di apertura del dispositivo e, prima di posizionare il sistema di seduta e di farvi sedere il bambino, verificare che, dopo l'apertura, il telaio sia completamente bloccato.
3. Fare attenzione a non rimanere intrappolati con le dita.

Apertura:

4 5 6

1. Sbloccare l'elemento di blocco (A) che mantiene chiuso il telaio. Lasciarlo attaccato al telaio per poterlo riutilizzare.
2. Tirare verso l'alto la parte superiore del telaio (B) fino a quando si blocca in posizione. Mentre si tira verso l'alto la parte superiore del telaio potrebbe essere necessario appoggiare un piede sulla barra inferiore (Fig. 6).
3. Se non ancora attaccate, sarà ora possibile applicare le ruote anteriori e posteriori.

Chiusura:

7 6 4

⚠ AVVERTENZA

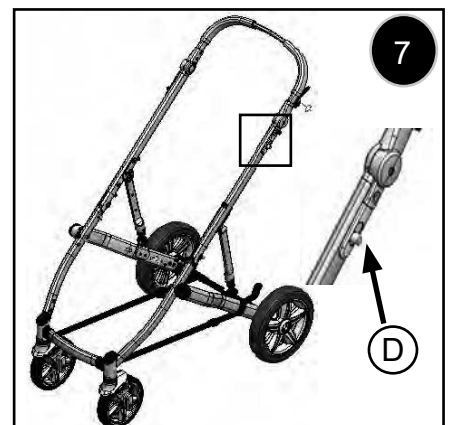
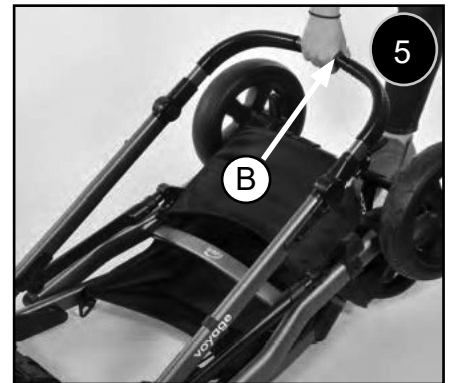
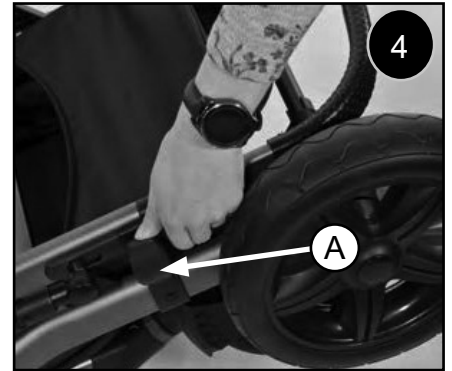
Non è possibile chiudere il telaio Voyage se prima non è stato rimosso il sistema di seduta. Prima di chiudere il telaio, rimuovere SEMPRE il sistema di seduta. La mancata osservanza di questa indicazione potrebbe danneggiare il prodotto.

1. Rimuovere il bambino dal sedile e, quindi, staccare il sistema di seduta dal telaio (cfr. la sottosezione [F]).
2. Sbloccare le ruote piroettanti anteriori.
3. Riposizionare il maniglione in linea come mostrato in Fig. 7.
4. Innestare il freno di stazionamento.
5. Spostare contemporaneamente verso l'alto entrambe le levette di sblocco (D). Questa azione sbloccherà gli elementi di blocco del telaio. Mantenerle tirate verso l'alto e spingere verso il basso la parte superiore del telaio.
6. Spingere in basso il maniglione di spinta per iniziare a piegare Voyage.
7. Sollevare agendo sul tubo centrale del sistema "Slide-N-Lock" (C). Fig. 6.
8. Allacciare la fascetta per la chiusura del telaio ripiegato (A) attorno alla parte superiore del telaio per evitare che si possa aprire quando lo si trasporta o lo si ripone.

NOTA: Questa procedura non richiede la rimozione delle ruote posteriori o delle ruote anteriori piroettanti, anche se la loro rimozione ridurrà l'ingombro quando si dovrà riporre il passeggino.

Se si decide di non rimuovere dal passeggino le ruote anteriori piroettanti, il telaio potrebbero non bloccarsi correttamente a causa dell'interferenza fra le ruote e il maniglione di spinta.

Nella maggior parte dei casi, prima di procedere con la chiusura, si potrà far rientrare il maniglione di spinta; in questo modo sarà più facile applicare la fascetta di chiusura. Qualora si rilevasse un inceppamento, non forzare l'apertura o la chiusura del passeggino perché potrebbe danneggiarsi.

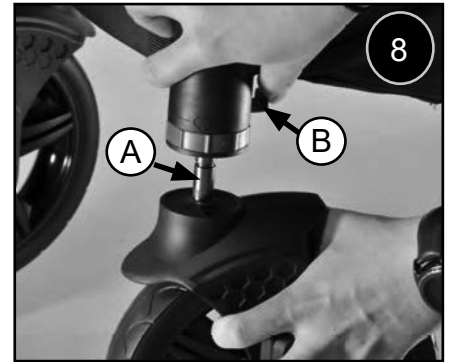


B. RUOTE ANTERIORI PIROETTANTI

8

Installazione e rimozione delle ruote anteriori piroettanti:

1. Localizzare il foro nella forcella per l'inserimento del perno della ruota anteriore piroettante posto in corrispondenza della parte inferiore del telaio Voyage. Allineare il perno della ruota piroettante (A) al foro, premere la levetta (B) e inserire il perno della ruota piroettante fino a quando scatta in posizione. Verificare che la ruota sia correttamente bloccata alla base provando a tirarla verso l'esterno. Se non si muove, questo significa che è stata montata correttamente. Ripetere la procedura per montare l'altra ruota piroettante.
2. Per rimuovere la ruota piroettante, premere la levetta (B) ed estrarre la ruota.

**Blocco della ruota piroettante anteriore:**

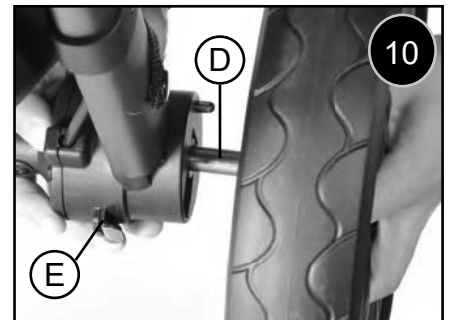
9

1. Per fissare la ruota piroettante agire sull'anello di blocco (C). Girare l'anello di blocco in senso orario fino a quando scatta in posizione. Eseguire questa operazione su entrambe le ruote anteriori piroettanti e verificare che siano correttamente bloccate.
2. Per sbloccare la ruota piroettante girare l'anello di blocco in senso antiorario fino a quando la ruota gira liberamente sul suo perno.

**C. RUOTE POSTERIORI****Installazione e rimozione delle ruote posteriori:**

10

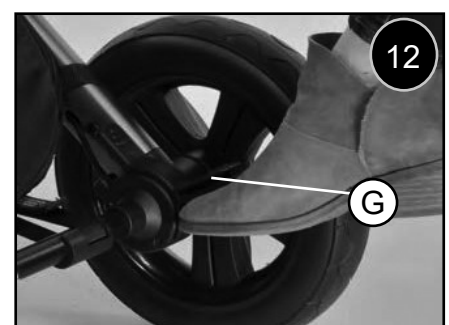
1. Per montare una ruota posteriore fare scorrere il perno della ruota posteriore (D) all'interno del foro del telaio fino a quando scatterà in posizione.
2. Per rimuovere la ruota posteriore premere il pulsante della ruota (E) ed estrarre la ruota dal telaio.

**D. FUNZIONAMENTO DEL FRENO DI STAZIONAMENTO****Azionamento o disinnesto del freno di stazionamento:**

11

12

1. Innestare il freno di stazionamento spingendo delicatamente verso il basso con un piede il pedale del freno (F).
2. Per disinnestare il freno di stazionamento spostare verso l'alto la leva verticale (G).



E. INSTALLAZIONE DEL SISTEMA DI SEDUTA

AVVERTENZA

PRIMA di installare il sistema di seduta verificare che il telaio sia stato completamente aperto e correttamente bloccato e che tutte le quattro ruote siano state montate e correttamente bloccate. Non installare mai il sistema di seduta con il bambino già seduto dentro. Prima di procedere con questa operazione, ricordare sempre di stabilizzare il passeggino.

- Girare le ruote anteriori piroettanti in modo che puntino in avanti.
- Azionare il freno di stazionamento.

Sotto la base del sistema di seduta vi è un dispositivo di aggancio. L'interfaccia sul telaio è l'elemento corrispondente che consente di ricevere il dispositivo di aggancio del sedile. Il sistema di seduta può essere installato orientato in avanti o all'indietro rispetto al senso di marcia. La procedura di installazione è la stessa per entrambi gli orientamenti.

Utilizzo del sistema di blocco

13 14

NOTA – Il meccanismo di chiusura posto sotto la piastra della seduta è dotato di un sistema di blocco che può essere utilizzato per assicurare una maggiore sicurezza dopo l'installazione del sistema di seduta.

1. PRIMA di montare o rimuovere il sistema di seduta dalla sua base, È NECESSARIO fare scorrere verso destra il sistema di blocco (K) (posizione sbloccata) come mostrato in Fig. 14.
2. Per evitare di sganciare involontariamente il meccanismo di blocco della seduta, fare scorrere il dispositivo di blocco verso sinistra come mostrato in Fig. 15 DOPO aver fissato definitivamente la seduta alla sua base (non è possibile collegare la seduta alla base quando il dispositivo di blocco è attivato).

Procedura per l'installazione del sedile:

15

NOTA - Quando si installa il sistema Moderate Seating nella direzione rivolta all'indietro, sollevare il poggiatesta a un angolo di circa 5 gradi, per liberare la traversa del telaio del passeggino e consentire alla seduta di bloccarsi nell'apposita sede.

1. Verificare che la seduta sia in posizione verticale (nessuna reclinazione o inclinazione).
2. Accertarsi che tutte le fasce di posizionamento e gli accessori non interferiscano con il sedile impedendone il completo aggancio al supporto.
3. **Solo per il sistema Moderate Seating:** Allineare la piastrina di allineamento (D) alla barra trasversale di sostegno (E) della base (Fig. 15).
4. Abbassare il guscio della seduta fino a quando entrerà in contatto con la piastra di montaggio.
5. Fare scorrere indietro il sistema in modo uniforme, fino a quando si udirà un "clic". Verificare il corretto aggancio alla base tirando verso l'alto il guscio della seduta da entrambi i lati. Se non si muove o non oscilla, significa che il sistema di seduta è bloccato e che è stato installato correttamente.
6. Il sistema di seduta è ora pronto a ricevere il bambino e/o per essere regolato.

F. RIMOZIONE DEL SISTEMA DEL SEDUTA

AVVERTENZA

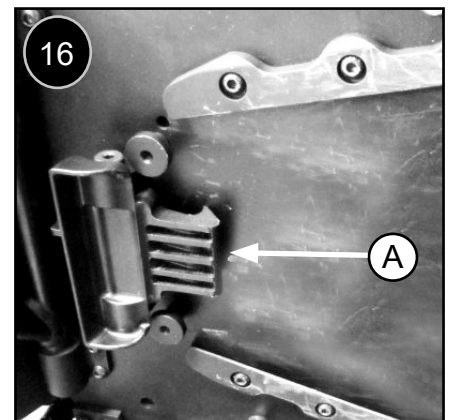
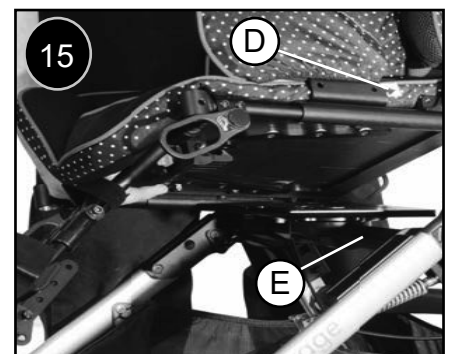
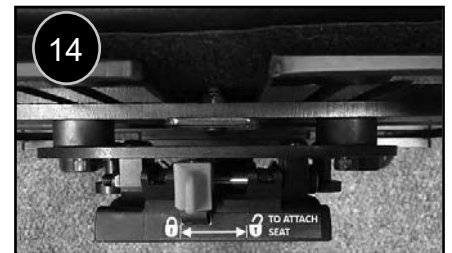
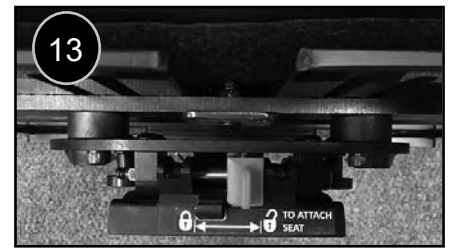
PRIMA di rimuovere il sistema di seduta, fare alzare il bambino e sistemarlo in un luogo sicuro. La mancata osservanza di questa indicazione potrebbe causare lesioni al paziente e/o all'assistente. Prima di procedere con questa operazione, ricordare sempre di stabilizzare il passeggino.

- Girare le ruote anteriori piroettanti in modo che puntino in avanti.
- Azionare il freno di stazionamento.

Procedura per la rimozione del sistema di seduta:

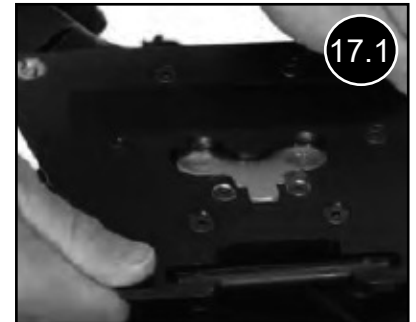
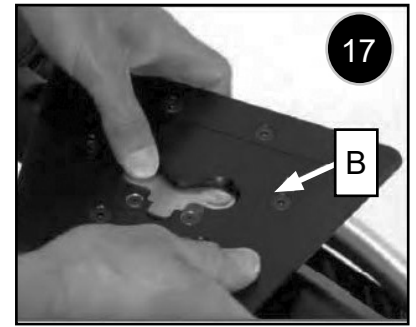
16

1. Verificare che la seduta sia in posizione verticale (nessuna reclinazione o inclinazione).
2. Tirare e mantenere tirata la leva di sgancio (A) per liberare il sistema di seduta dal telaio, fare scorrere in avanti il sistema di seduta per sganciarlo completamente e sollevarlo.
3. Il sistema di seduta è ora pronto per essere ispezionato o riposto.



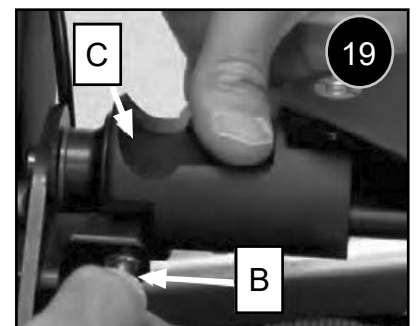
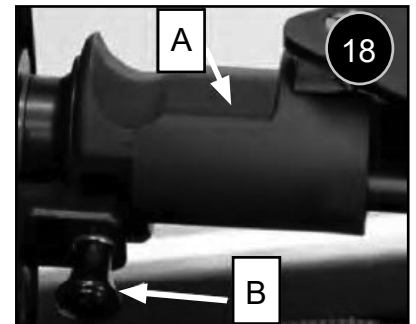
Procedura per l'inversione dell'orientamento del sedile: 17 17.1 18 19

1. Bloccare le ruote e rimuovere il sedile.
 2. Assicurarsi che l'impostazione di inclinazione sia in posizione "Home" o 0°. Per farlo, premere la leva di rilascio dell'inclinazione e lasciare che la molla porti la piastra di supporto "Slide-n-Lock" in posizione orizzontale.
 3. PUNTO 1: Premere il pulsante dorato, con il numero 1 (A) sulla base "Slide-n-Lock" e ruotare la base fino a quando si arresta (Fig. 17).
 4. PUNTO 2: Tirare il perno (B) con una mano e ruotare il manicotto di limitazione dell'inclinazione (C) con l'altra mano* (Fig. 18 e 19).
 5. -NOTA: Ruotare il manicotto di limitazione dell'inclinazione solo quando si sta facendo ruotare la base.
 6. * Quando il sedile è rivolto in avanti, il manicotto del limitatore dell'inclinazione dovrebbe essere fatto ruotare all'indietro; quando il sedile è rivolto indietro, il manicotto dovrà essere ruotato in avanti.
 7. PUNTO 3: Ruotare la base di 180° fino a quando si blocca in posizione. (Fig. 17.1)
- NOTA - Quando il dispositivo è dotato di un sistema Advanced Seating, l'intervallo massimo di inclinazione posteriore (in avanti) può essere limitato.

**Inserimento o rimozione della barra di sicurezza:** 20

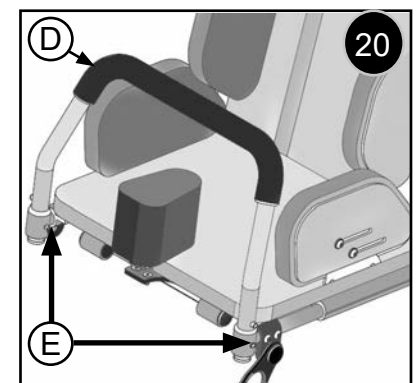
Prima di eseguire queste operazioni bloccare sempre il passeggino.

- Girare le ruote anteriori piroettanti in modo che puntino in avanti.
 - Azionare il freno di stazionamento.
8. Fare attenzione a non tirare o intrappolare eventuali cannule di sistemi di sopravvivenza applicati al bambino. Questa regolazione può portare ad intrappolare delle parti e pertanto rimuovere qualsiasi ostruzione e/o abbigliamento che potrebbe rimanere intrappolato in quest'area.
 9. La regolazione deve essere eseguita rimanendo di fronte al passeggino. Premere contemporaneamente entrambi i perni di blocco/sblocco (E) e inserire o rimuovere la barra di sicurezza(D).
 10. Quando si installa la barra di sicurezza (D), spingere il maniglione sufficientemente all'interno per consentire ai perni di agganciarsi ai fori di posizionamento (E).
 11. Tirare verso l'alto il maniglione della barra per verificare che sia correttamente bloccato in posizione.
 12. Se si preferisce, la barra di protezione è reversibile.

**G. REGOLAZIONE DELL'ANGOLO DI INCLINAZIONE****⚠ AVVERTENZA**

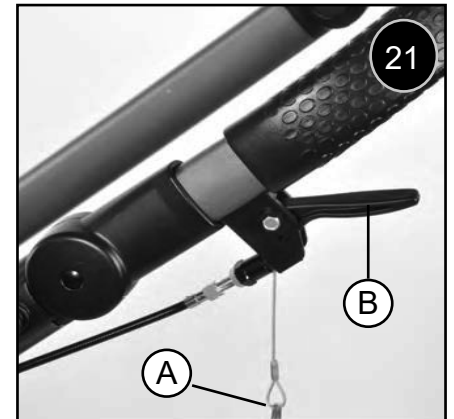
PRIMA di procedere con la regolazione dell'inclinazione verificare che il telaio sia stato completamente aperto e correttamente bloccato e che tutte le quattro ruote siano state montate e correttamente bloccate. Fare attenzione a non tirare o intrappolare eventuali cannule di sistemi di sopravvivenza applicati al bambino. Prima di procedere con questa operazione, ricordare sempre di stabilizzare il passeggino.

- Girare le ruote anteriori piroettanti in modo che puntino in avanti.
- Azionare il freno di stazionamento.



Procedura per la regolazione dell'inclinazione: 21

1. Rimuovere il perno di sicurezza per consentire l'inclinazione. Afferrare la leva di inclinazione (A) sulla sinistra del telaio e tirarla verso il maniglione di spinta; quindi agire sullo schienale del sistema di seduta fino a raggiungere l'inclinazione desiderata. I componenti dello schienale e del sedile, compreso l'appoggiapiedi, dovrebbero muoversi insieme.
2. Lasciare andare il maniglione e spingere leggermente il sistema di seduta per verificare che sia bloccato nella nuova posizione.
3. Questa regolazione potrebbe in qualche modo influire sull'equilibrio del passeggino e, pertanto, verificare che la nuova impostazione non possa generare rischi di ribaltamento.

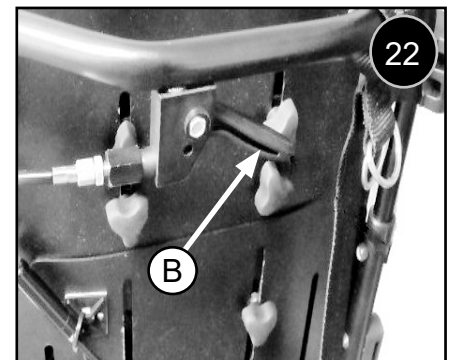
**H. REGOLAZIONE DELLA RECLINAZIONE****AVVERTENZA**

PRIMA di procedere con la regolazione della reclinazione verificare che il telaio sia stato completamente aperto e correttamente bloccato e che tutte le quattro ruote siano state montate e correttamente bloccate. Fare attenzione a non tirare o intrappolare eventuali cannule di sistemi di sopravvivenza applicati al bambino. Prima di procedere con questa operazione, ricordare sempre di stabilizzare il passeggino.

- Girare le ruote anteriori piroettanti in modo che puntino in avanti.
- Azionare il freno di stazionamento.
- Se il passeggino è dotato di imbragatura per le spalle, prima di procedere con la reclinazione allentare le cinghie delle spalle.

Procedura per la regolazione della reclinazione: 22

1. Rimuovere il perno di sicurezza dalla leva di reclinazione. Posizionarsi dietro il passeggino e afferrare la leva di reclinazione (B). Tirare la leva verso il maniglione di spinta e agire sulla struttura di sostegno dello schienale (lo schienale dovrebbe muoversi indipendentemente dal supporto del sedile e dell'appoggiapiedi). Raggiunta la reclinazione desiderata, rilasciare la leva e fare una leggera pressione sulla struttura del sistema di seduta per accertarsi che sia bloccato nella nuova posizione.
2. Questa regolazione potrebbe in qualche modo influire sull'equilibrio del passeggino quindi verificare che la nuova impostazione non possa generare rischi di ribaltamento.
3. Se il passeggino è dotato di imbragatura per le spalle, regolare le cinghie per adattarle alla nuova posizione.

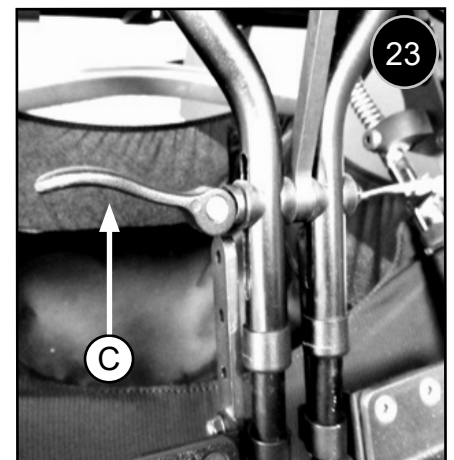
**I. REGOLAZIONE DELL'ANGOLAZIONE DELLE GINOCCHIA****AVVERTENZA**

Prima di eseguire queste operazioni bloccare sempre il passeggino.

- Girare le ruote anteriori piroettanti in modo che puntino in avanti.
- Azionare il freno di stazionamento.

Procedura per la regolazione dell'angolazione delle ginocchia: 23

1. Fare attenzione a non tirare o intrappolare eventuali cannule di sistemi di sopravvivenza applicati al bambino. Questa regolazione può portare ad intrappolare delle parti e pertanto rimuovere qualsiasi ostruzione e/o abbigliamento che potrebbe rimanere intrappolato in quest'area.
2. Rilasciare la leva di sgancio rapido (C) e regolare l'angolazione per le ginocchia portandola alla posizione desiderata.
3. Tirare verso l'alto la leva di sgancio rapido per bloccare la posizione impostata dopo ogni regolazione.

**J. PEDANA PER RIBALTAMENTO**

Gli assistenti potranno utilizzare la pedana per il ribaltamento quando dovranno fare avanzare il passeggino per superare un ostacolo. Premere semplicemente con il piede sulla pedana e la carrozzina si inclinerà all'indietro per salire, ad esempio, sul cordolo di un marciapiede.

K. INSTALLAZIONE E REGOLAZIONE DELLA CAPOTTINA**⚠ AVVERTENZA**

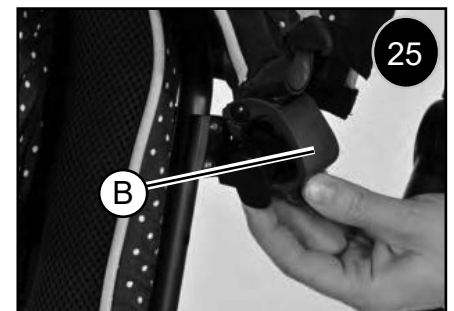
Fare attenzione a non tirare o intrappolare eventuali cannule di sistemi di sopravvivenza applicati al bambino.

Procedura per l'installazione della capottina:

24

25

1. Posizionarsi davanti al passeggino e attaccare la capottina agli elementi di aggancio della struttura del sistema di seduta (A).
2. Verificare che la capottina sia stata installata correttamente eseguendo un'ispezione visiva e controllando il serraggio dei componenti o la presenza di montaggi non corretti. Per un funzionamento in sicurezza, è necessario che le levette di plastica (B) siano bloccate in posizione.

**Regolazione della capottina:**

26

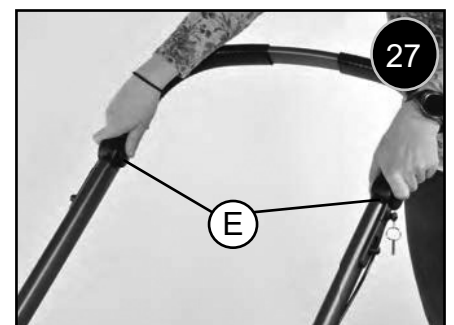
1. Dopo averla installata, si potrà intervenire sull'inclinazione della capottina spostandola in avanti o indietro fino a raggiungere la posizione di protezione desiderata.
2. Per adattare la posizione della capottina rispetto al bambino si potrà anche intervenire sulle viti a rondella (C) e agire sulle staffe della capottina (D). Quando si interviene sulle staffe di inclinazione della capottina, accertarsi di regolarle in modo uniforme su entrambi i lati.
3. Per fare sedere o prelevare il bambino dal sedile, sollevare completamente la parte anteriore della capottina.
4. Quando si eseguono delle regolazioni di inclinazione e di reclinazione in presenza della capottina, potrebbe essere necessario intervenire anche sull'inclinazione in avanti o indietro della capottina stessa per assicurare lo spazio di manovra sufficiente quando si agisce sul maniglione di spinta.

**L. ESTENSIONE DEL MANIGLIONE DI SPINTA TELESCOPICO DEL PASSEGGINO****Procedura per la regolazione del maniglione di spinta:**

27

La lunghezza del maniglione di spinta è regolabile.

1. La regolazione deve essere effettuata posizionandosi dietro il dispositivo. Premere contemporaneamente entrambi i pulsanti di articolazione del maniglione del passeggino (E) e impostare l'angolazione desiderata.
2. Rilasciare i pulsanti per consentire al maniglione del passeggino di scattare in posizione.



A. REGOLAZIONI PER IL POSIZIONAMENTO E LO SVILUPPO CORPOREO

⚠ AVVERTENZA

Quando è necessario eseguire delle regolazioni richieste dallo sviluppo corporeo o da un diverso posizionamento del bambino, prima di procedere sarà necessario consultare un operatore sanitario. Queste regolazioni sono particolarmente importanti per le esigenze ortopediche e neurologiche del bambino. È necessario accertarsi che le modifiche apportate siano appropriate da un punto di vista sia fisiologico sia medico. Per le regolazioni necessarie relative al posizionamento o allo sviluppo corporeo del bambino, Sunrise Medical consiglia di rivolgersi a un centro di assistenza. Non eseguire alcuna operazione di regolazione mentre il bambino è seduto sul passeggino.

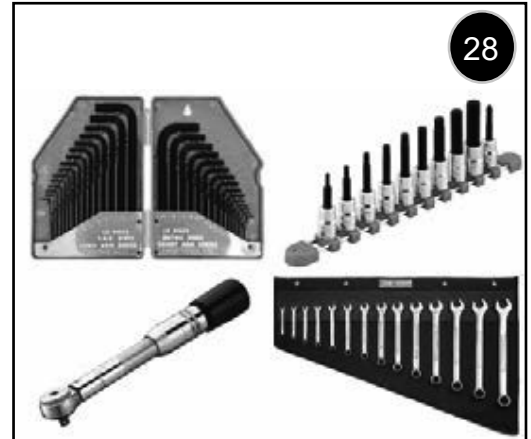
Coppia di serraggio:

la coppia di serraggio equivale al serraggio ottimale di un particolare dispositivo di fissaggio. Quando specificato, è importante applicare la coppia di serraggio appropriata. Quando non specificato, la coppia di serraggio deve essere: Fissaggi M5 = 44 in-lbs (5 N·m), Fissaggi M6 = 62 in-lbs (7 N·m), Fissaggi M8 = 88 in-lbs (10 N·m). In tutti gli altri casi applicare una coppia di serraggio di 60 in-lbs (6,8 N·m).

Strumenti necessari:

28

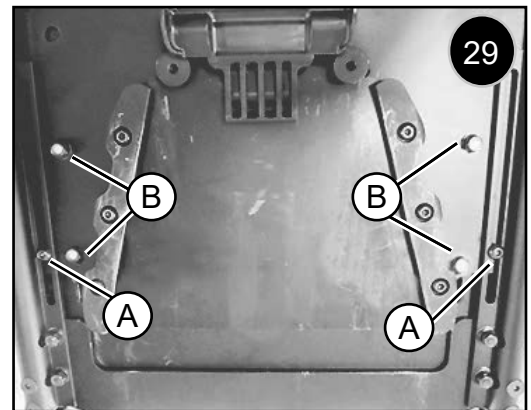
1. Serie di chiavi a brugola (Sistema imperiale)
2. Serie di chiavi a brugola (Sistema metrico)
3. Serie di chiavi inglesi (Sistema imperiale)
4. Serie di chiavi inglesi (Sistema metrico)
5. Chiave torsionometrica
6. Serie di chiavi a bussola esagonali (Sistema imperiale)
7. Serie di chiavi a bussola esagonali (Sistema metrico)
8. Cacciaviti a stella e a lama piatta



NOTA: La scala di misurazione della chiave dinamometrica deve essere espressa in pollici per libbra. In alternativa, si potrà acquistare una chiave dinamometrica e relativi accessori in scala metrica.

In linea generale, per le regolazioni di posizionamento e dallo sviluppo corporeo, attenersi alla sequenza seguente:

1. Regolazione dell'area di seduta.
2. Regolazione dell'area di supporto della schiena.
3. Regolazione della cintura pelvica di posizionamento.
4. Regolazione dell'appoggiapiedi.
5. Regolazione dei supporti per il capo.
6. Regolazione di tutte gli altri componenti standard/opzionali necessari.
7. Verifica del serraggio, alla coppia indicata nelle specifiche, di tutte le viti di regolazione.



B. REGOLAZIONE DEL SISTEMA DI SEDUTA COMFORT

Procedura per la regolazione della profondità del sistema di seduta Comfort:

29

NOTA: vista dal basso della base del sedile.

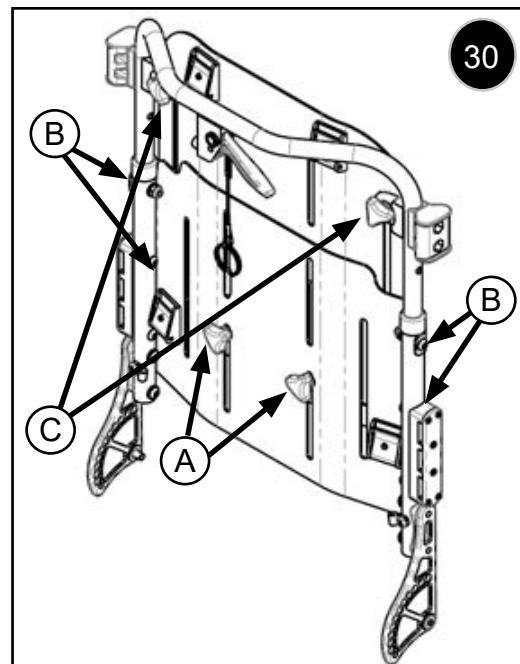
1. Rimuovere il cuscino. È tenuto in posizione da un supporto di Velcro®.
2. Allentare le viti (A) su entrambi i lati (senza rimuoverle).
3. Allentare i dadi (B); per alcune regolazioni potrebbe essere necessario rimuoverli.
4. Regolare la profondità facendo scorrere in avanti o indietro il supporto anteriore della seduta.
5. Serrare di nuovo i dispositivi di fissaggio (A) e (B) applicando una coppia di serraggio di 75-85 in-lbs (8,5-9,5 N·m).
6. Riposizionare il cuscino sulla base del sedile.

⚠ AVVERTENZA

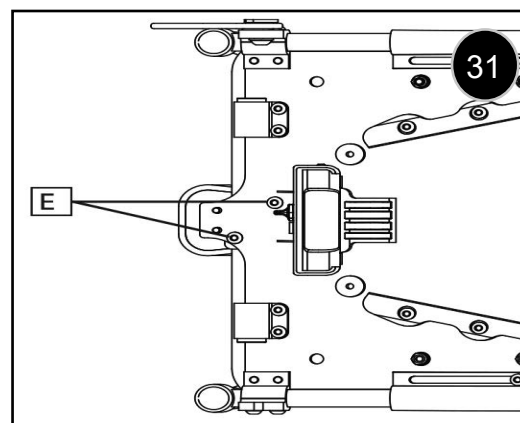
- Prima di procedere con qualsiasi operazione di regolazione, togliere il bambino dal sedile per garantirne la sicurezza e per facilitare le operazioni.
- Prima di eseguire queste operazioni bloccare sempre il passeggino.
- La regolazione in altezza dello schienale può influire sul centro di gravità del passeggino. Verificare la stabilità del passeggino e accertarsi che le nuove impostazioni non possano causarne il ribaltamento.

Procedura per la regolazione dell'altezza dello schienale: 30

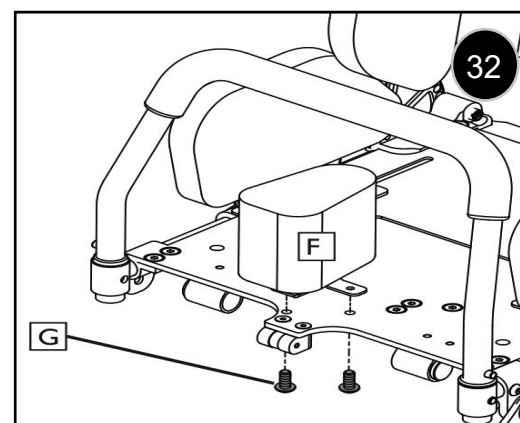
1. Girare le ruote anteriori piroettanti in modo che puntino in avanti.
2. Azionare il freno di stazionamento.
3. Rimuovere il cuscino dello schienale.
4. Per una regolazione rapida, 100 mm, allentare le quattro manopole (A) e (C) sul retro dello schienale.
5. In presenza di supporti laterali, allentare anche le manopole corrispondenti.
6. Regolare l'altezza facendo scorrere la parte superiore dello schienale verso l'alto o verso il basso.
7. Serrare di nuovo le manopole (A) e (C).
8. Per aumentare ulteriormente l'altezza (più di 100 mm) e per regolazioni oltre le tacche di regolazione, rimuovere le viti dei supporti dello schienale (B) su entrambi i lati e allentare le due manopole inferiori (A).
9. In presenza di supporti laterali, allentare, o rimuovere se necessario, anche le relative manopole di aggancio, oppure rimuoverli completamente.
10. Fare scorrere lo schienale verso l'alto o verso il basso fino a raggiungere il foro successivo. La distanza tra i fori è di 76 mm.
11. Serrare di nuovo le viti (A) e i dadi (B).
12. Riposizionare il cuscino sullo schienale.

**Installazione del cuneo abduttore Comfort:** 31 32

1. Posizionare l'appoggiapiedi, in orizzontale rispetto al pavimento.
2. Localizzare i due fori (E) del supporto della seduta situati sui entrambi i lati del montante della pedana.
3. Il cuscino del sedile deve essere fissato in posizione.
4. Fare scorrere la staffa metallica lungo la scanalatura nel cuscino e allineare i fori della staffa ai fori della base del sedile.
5. Applicare il cuneo divaricatore (F) al supporto della seduta fissandolo con le viti (G).

**C. REGOLAZIONE DELL'ALTEZZA DELLE CINGHIE PER LE SPALLE:**

1. Allentare, senza rimuoverle, le manopole su ogni lato della base di supporto dello schienale.
2. Regolare le cinghie per le spalle all'altezza appropriata.
3. Stringere tutte le manopole (evitando di serrarle eccessivamente) e, quindi, regolare di nuovo le cinghie per le spalle per adattarle alla nuova posizione.



D. REGOLAZIONI DELL'APPOGGIAPIEDI:

33

34

Regolazione dell'altezza:

La regolazione dell'altezza dell'appoggiapiedi viene effettuata agendo sulle sezioni tubolari telescopiche che bloccano in posizione l'altezza dell'appoggiapiedi.

1. Localizzare le viti di regolazione (A) situate sul lato posteriore dell'aggancio dell'appoggiapiedi.
2. Allentare prima le viti superiori su ogni lato dell'aggancio dell'appoggiapiedi.
3. Fare scorrere l'appoggiapiedi in alto o in basso fino a raggiungere l'altezza desiderata.
4. Serrare le viti superiori a 1,7-2,26 N.m evitando di stringerle eccessivamente.
5. Se necessario, ripetere la procedura agendo sulle vite inferiori.

NOTA: L'appoggiapiedi è qui visualizzato ribaltato per consentire di impostare la lunghezza più corta possibile per le gambe. Può essere montato in entrambe le posizioni ribaltando l'appoggiapiedi per consentire di impostare una lunghezza maggiore delle gambe, oppure per un posizionamento in maggiore sicurezza del piede.

Regolazione dell'angolo

1. L'appoggiapiedi ha due viti (B) e (C) che ne controllano la rotazione. Allentare entrambe le viti su ogni lato (Fig. 30).
2. Regolare l'angolazione dei poggiapiedi.
3. Serrare le viti di regolazione a 4,5-5,1 N.m per mantenere la corretta angolazione della pedana. (non serrare eccessivamente queste viti su componenti di plastica).

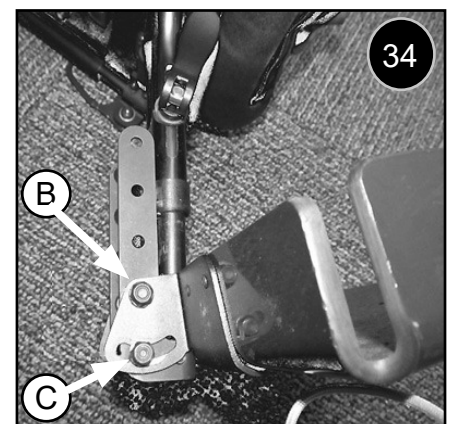
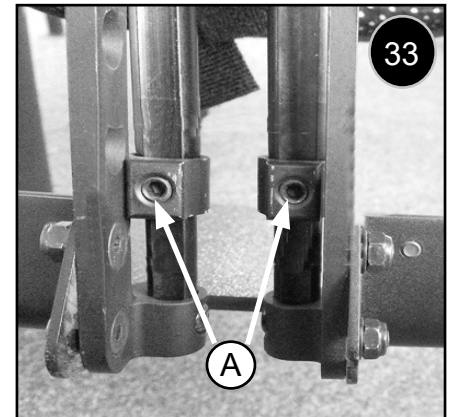
**E. REGOLAZIONE DELLA DISTANZA DELLA SEDUTA DA TERRA**

Tabella 1

Il passeggino Voyage prevede tre posizioni di distanza della seduta da terra:
Bassa: 590 mm, Media: 625 mm e Alta: 660 mm. Vedere la Tabella 1.0.

Regolazione della distanza della seduta da terra:

1. Rimuovere tutte e 4 le viti (A), due su ogni lato del passeggino.
2. Posizionare il gruppo di inclinazione a barra trasversale all'altezza desiderata.
3. Inserire nuovamente le quattro viti nelle posizioni indicate in figura.
4. Serrare i bulloni applicando una coppia di serraggio di 8,5-9,5 N.m.

BASSA: 590 MM	MEDIA: 625 MM	ALTA: 660 MM

Tabella 1

F. REGOLAZIONI DELLA CINTURA PELVICA DI POSIZIONAMENTO: 35

Regolazione della lunghezza:

1. Eliminare eventuali attorcigliamenti della cintura e lasciarla cadere all'esterno del sedile.
2. Azionare i freni delle ruote, fare sedere il bambino e chiudere le due estremità della cintura pelvica di posizionamento.
3. Regolarne la lunghezza fino a raggiungere quella ritenuta appropriata.
4. Il regolatore di lunghezza si trova alla sinistra del bambino (Fig. 35, D).

Regolazione della posizione:

La cintura può essere montata sulla staffa articolata posteriore, oppure sulla staffa anteriore per le anche (quando necessario).

⚠ AVVERTENZA

- Prima di usare la carrozzina verificare che la cintura pelvica sia fissata.
- Controllare la cintura pelvica ogni giorno per verificare che non presenti segni di usura.
- Assicurarsi sempre che la cintura pelvica sia ben fissata e regolata prima dell'uso.

⚠ AVVERTIMENTO

Se la cintura è allentata eccessivamente, l'utente potrebbe scivolare in avanti e rischiare il soffocamento o lesioni gravi.

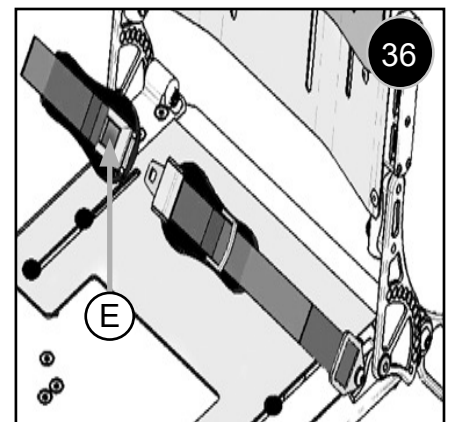
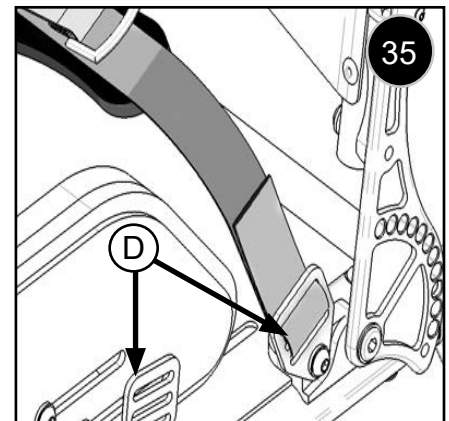
Regolare la cintura pelvica per adattarla alle esigenze dell'utente nel modo seguente:

36 36b

- Azionare i freni delle ruote, fare sedere il bambino e chiudere le due estremità della cintura pelvica di posizionamento.
- Regolare la posizione della cintura in modo che le due parti della fibbia si trovino al centro della seduta.
- Far ripassare la cintura attraverso la fibbia maschio e le guide di regolazione.
- Controllare che la cintura non sia arrotolata sulla fibbia maschio.
- Far passare la cintura attraverso le guide di regolazione e la fibbia maschio per allungare la cintura.
- Quando si allaccia la cintura, controllare lo spazio tra la cintura e l'utente.
- Se la regolazione è corretta, deve essere possibile infilare una mano tra la cintura e l'utente.

La cintura pelvica deve essere fissata in modo che la cinghia si trovi ad un angolo di circa 45 gradi attorno alla vita dell'utente.

Se la cintura è regolata correttamente, l'utente deve essere seduto in posizione eretta il più possibile indietro sulla seduta. La cintura pelvica non deve consentire all'utente di scivolare dal sedile.



Per chiudere la fibbia:

Inserire bene la fibbia maschio nella fibbia femmina.

Per aprire la fibbia:

Premere il pulsante ROSSO "E" al centro della fibbia, quindi separare con delicatezza le due metà.

NOTA: In caso di dubbi sull'uso e il montaggio della cintura pelvica, rivolgersi al rivenditore, all'assistente o all'accompagnatore.

Se si desidera acquistare una cintura pelvica in un secondo momento, rivolgersi al rivenditore del passeggino.

⚠ AVVERTENZA

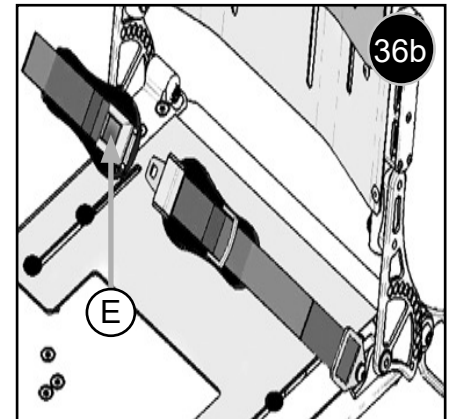
- La cintura pelvica deve essere montata e regolata solamente da personale autorizzato Sunrise Medical.
- Controllare la cintura pelvica ogni giorno per verificare che sia regolata correttamente e priva di segni di usura.
- Sunrise Medical non consente di usare la cintura pelvica come sistema di ritenuta durante il trasporto di un bambino su un veicolo a motore.

Manutenzione:

- Controllare regolarmente la cintura pelvica e i componenti di fissaggio e assicurarsi che non siano logori o danneggiati. A seconda dell'uso, potrebbe essere necessario sostituirla.
- Se si desidera acquistare una cintura in un secondo momento, rivolgersi al rivenditore del passeggino.

⚠ AVVERTENZA

Regolare la cintura pelvica in base alle necessità dell'utente come descritto precedentemente. Sunrise Medical raccomanda inoltre di controllare regolarmente la lunghezza e la posizione della cintura per ridurre il rischio che l'utente inavvertitamente la allenti troppo, nel tentativo di regolarla.

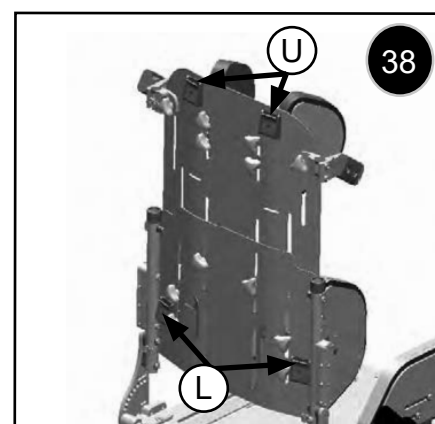
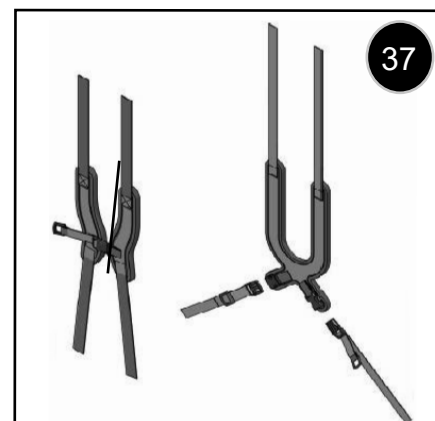


G. CINTURA PETTORALE A FARFALLA**⚠ AVVERTENZA**

- Per evitare lesioni gravi o problemi di alimentazione o di respirazione, la cintura pelvica di posizionamento deve essere utilizzata in combinazione con un supporto anteriore per il tronco. Verificare attentamente tutte le regolazioni per accertarsi che non vi sia alcuna ostruzione delle vie aeree o qualsiasi altro tipo di costrizione. Non utilizzare un supporto anteriore per il tronco in assenza di una cintura pelvica di posizionamento.
- Sunrise Medical non consente di usare l'imbragatura pettorale a farfalla come sistema di ritenuta durante il trasporto di un bambino su un veicolo a motore.

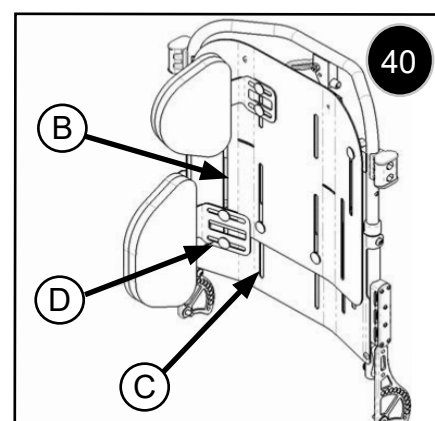
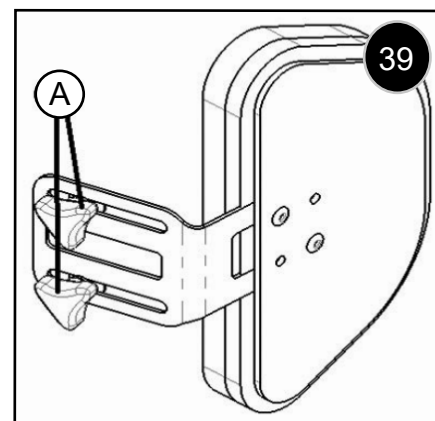
Regolazione dell'imbragatura: 37 38

1. Accomodare il bambino sul sistema di seduta e allacciare la cintura pelvica di posizionamento.
2. Posizionare le anche del bambino e allacciare la cintura nella posizione appropriata.
3. Sbloccare le due clip inferiori (L) e superiori (U).
4. Prima, regolare le cinghie inferiori per evitare che il bretellaggio si possa spostare verso l'alto lungo il tronco del bambino e bloccare le clip inferiori (L).
5. Quindi, regolare le cinture superiori accertandosi che attorno al collo del bambino vi sia spazio sufficiente perché possa respirare e mangiare agevolmente e bloccare le clip superiori (U).

**H. SUPPORTI LATERALI PER IL TRONCO E PER IL CAPO (OPZIONE)****Regolazioni in altezza e in larghezza dei supporti laterali e per il capo:** 39 40

NOTA: Queste regolazioni possono essere effettuate anche quando il bambino è seduto sul passeggino.

1. Per regolare i supporti laterali, allentare, o rimuovere se necessario, le due manopole (A) dalla parte posteriore dello schienale.
2. Per le regolazioni in altezza usare le scanalature (esterna "B", o interna "C"). Spostare i supporti laterali verso l'alto o verso il basso fino a raggiungere la posizione adeguata e serrare le manopole.
3. Per le regolazioni in larghezza, usare le scanalature "D" della staffa dei supporti laterali, oppure spostarli dalle scanalature esterne a quelle interne. Regolare in larghezza le staffe dei supporti laterali facendo scorrere il gruppo del sostegno laterale nella posizione appropriata e serrare le manopole.



I. SUPPORTI ANTERIORI

Se si ritiene che sia necessario utilizzare supporti anteriori, consultare sempre un operatore sanitario.

A seconda del loro livello di disabilità o di condizione fisica, alcuni bambini potrebbero necessitare di supporti anteriori che li aiutino a mantenere una postura o una posizione del corpo corrette. Questi prodotti includono fasce per la fronte, fasce per le spalle, sistemi di fasce toraciche, supporti pelvici e cinghie.

⚠ AVVERTENZA

Rischi di lesioni in presenza di supporti per il capo e come evitarli.

Un movimento o uno spostamento eccessivo del bacino possono provocare lo spostamento dei supporti, con conseguenti possibili gravi lesioni per il bambino.

Per evitare questo rischio:

1. È FONDAMENTALE mantenere il bambino in una posizione pelvica stabile.
2. I supporti anteriori vanno usati ESCLUSIVAMENTE con supporti per sedile, schienale e pelvici o cinture che impediscono al bambino di scivolare dalla carrozzina.
3. I supporti anteriori devono essere installati da un rivenditore autorizzato o dall'operatore sanitario.
4. Dopo il montaggio, i supporti anteriori devono essere posizionati e regolati ESCLUSIVAMENTE da personale specializzato.
5. NON lasciare il bambino incustodito quando utilizza supporti anteriori.

J. SUPPORTI PER LE ANCHE (OPZIONE): 41

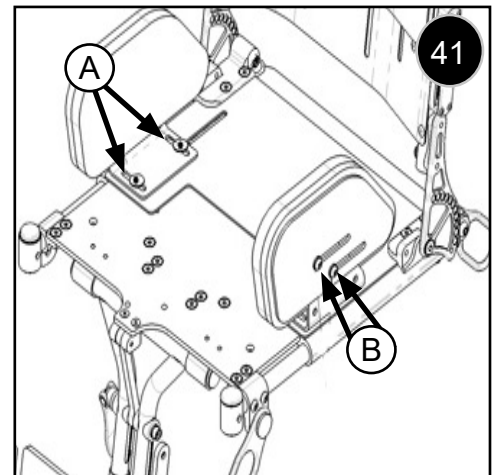
Regolazione in larghezza, (A):

1. Determinare la corretta posizione dei supporti per le anche.
2. Rimuovere il cuscino del sedile per poter accedere alle viti di regolazione del supporto per le anche.
3. Allentare quanto basta le due viti di regolazione di ogni imbottitura delle anche per consentirne la regolazione.
4. Regolare i supporti per le anche spostandoli nella posizione adeguata.
5. Serrare le viti di regolazione e riposizionare il cuscino sul sedile.

Regolazione in avanti/indietro (B):

1. Determinare la corretta posizione dei supporti per le anche.
2. Rimuovere il cuscino del supporto per le anche per accedere alle viti di regolazione.
3. Allentare quanto basta le due viti di regolazione di ogni imbottitura delle anche per consentirne la regolazione.
4. Regolare i supporti per le anche spostandoli nella posizione adeguata.
5. Serrare le viti di regolazione e riposizionare la fodera dei supporti per le anche.

NOTA: In caso di ampiezza dell'anca superiore a 254 mm sarà necessario rimuovere le imbottiture per le anche. Per anche di ampiezza di 280 mm, l'imbottitura di schiuma per le anche potrà essere agganciata sotto il rivestimento, in corrispondenza del punto di articolazione posteriore.

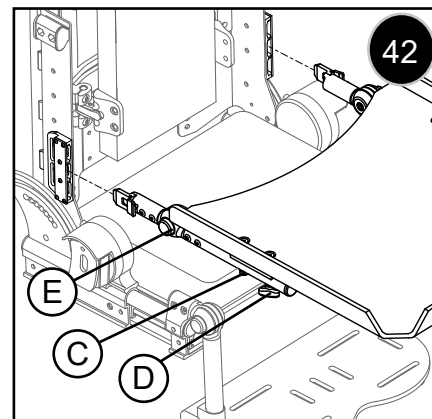


K. INSTALLAZIONE E REGOLAZIONE DEL TAVOLINO: 42

1. Fare scorrere il tavolino sui suoi sostegni, regolarne la profondità e fissarlo in posizione.
2. Verificare che il dado (C) sia sufficientemente allentato per consentire la regolazione del tavolino.
3. La manopola (D) può essere allentata per regolare la profondità del tavolino e serrata su entrambi i lati per fissarlo in posizione dopo averlo regolato.
4. Per regolare l'inclinazione del tavolino premere e mantenere premuti entrambi i pulsanti (E) dei bracci di sostegno e portare il tavolino all'angolazione desiderata; il tavolino dovrebbe scattare e bloccarsi in posizione.

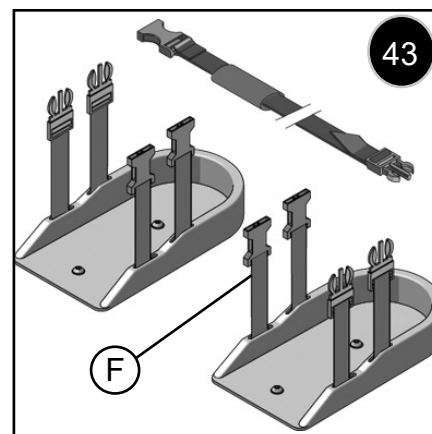
AVVERTENZA

L'uso della cintura pelvica di posizionamento è fondamentale per la sicurezza del bambino quando è necessario usare cinghie per i piedi o posizionatori per calzature per garantire un corretto posizionamento terapeutico.

**L. REGOLAZIONE DELLE CINGHIE PER I PIEDI (OPZIONE):**

NOTA: Le cinghie opzionali per i piedi hanno uno scopo unicamente terapeutico.

1. Azionare il freno di stazionamento e, quindi, accomodare il bambino sul passeggino.
2. Slacciare e allentare le due cinghie per i piedi (F).
3. Posizionare il piede del bambino e allacciare le cinture per il piede.
4. Mantenere le cinghie per i piedi il più allentate possibile e stringerle quel tanto che basta per mantenere la posizione terapeutica.

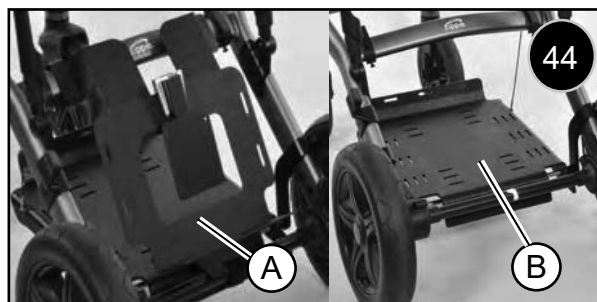
**M. REGOLAZIONE DELLE CINGHIE PER I POSIZIONATORI PER CALZATURE (OPZIONE):** 43

NOTA: I posizionatori per le calzature hanno scopo unicamente terapeutico.

1. Azionare il freno di stazionamento e accomodare il bambino sul passeggino.
2. Allentare le cinghie per il posizionamento delle calzature (F).
3. Per questa operazione è necessario che il bambino indossi delle calzature. Posizionare il piede del bambino sul posizionatore per calzature e allacciare le due cinghie di posizionamento della calzatura.
4. Mantenere le cinghie per i piedi il più allentate possibile e stringerle quel tanto che basta per mantenere la posizione terapeutica.

N. SUPPORTI PER RESPIRATORE/BATTERIE (OPZIONE): 44

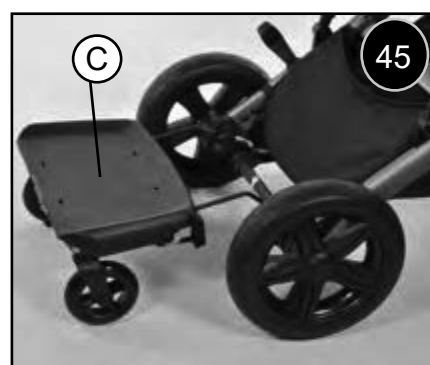
1. Vi sono due tipi di supporto per respiratore. A montaggio posteriore o a coda di rondine (A) con una portata di 7 kg (15 lb), e un contenitore sul telaio (B) con una portata di 22,7 kg (50 lb).
2. I supporti per respiratore sono facilmente applicabili al telaio di Voyage.
3. Con questa opzione vengono anche fornite cinghie di ancoraggio per mantenere in posizione l'apparecchiatura.
4. È compreso un contenitore universale (I), di dimensioni minori, ripiegabile in avanti.



O. PEDANA AGGIUNTIVA ANTERIORE O POSTERIORE (OPZIONE):

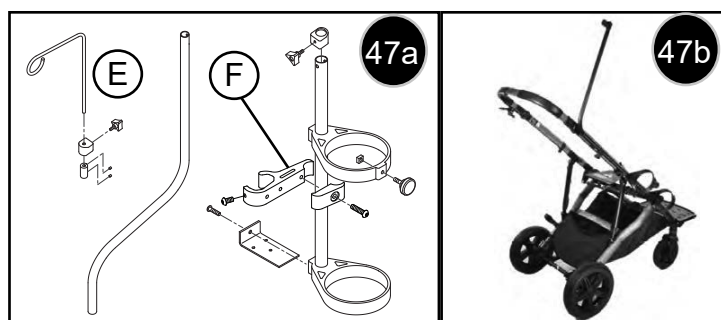
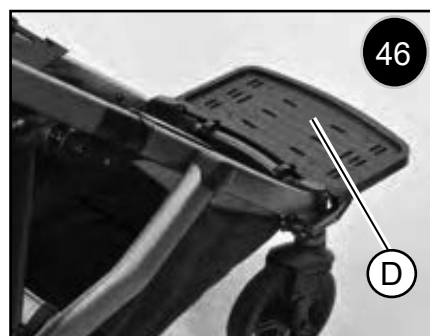
45 46

1. La pedana posteriore (C) può essere usata come supporto per un apparecchio di respirazione o per altre apparecchiature necessarie.
2. La piattaforma anteriore (D) è in grado di sopportare un peso massimo di 22,7 kg (50 lb).
3. Con questa opzione vengono anche fornite cinghie di ancoraggio per mantenere in posizione l'apparecchiatura.



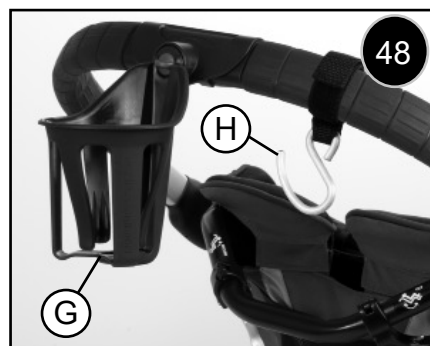
P. SUPPORTO PER INFUSIONE IV/SUPPORTO PER BOMBOLA DI OSSIGENO (OPZIONE): 47a 47b

1. I supporti per infusione IV (E) e per la bombola di ossigeno (F) sono entrambi completamente regolabili e si possono applicare direttamente al telaio di Voyage come mostrato in Fig. 47a.
2. La posizione del morsetto di serraggio è indicata in Fig. 47b.



Q. PORTA BICCHIERE, GANCIO AUSILIARIO (OPZIONE): 48

1. Il porta bicchiere (G) è facile da installare e da fissare in posizione.
2. Il gancio ausiliario (H) è fissato con un nastro di Velcro® e, normalmente, lo si utilizza per sostenere i tubi per l'ossigeno; lo si potrà anche utilizzare per appendervi altri articoli leggeri.



A. NOTE

1. La corretta manutenzione migliorerà le prestazioni del passeggino e ne prolungherà la vita utile.
2. Pulire regolarmente il dispositivo. Ciò contribuirà all'individuazione di parti allentate o usurate e faciliterà l'uso del dispositivo.
3. Per proteggere l'investimento, fare eseguire le operazioni di manutenzione e riparazione principali da un rivenditore autorizzato.
4. Verificare almeno ogni quattro mesi il serraggio di tutte le viti e delle manopole. In caso di parti mancanti, rotte, danneggiate o usurate, sospendere l'uso del passeggino fino a quando non saranno state effettuate le riparazioni usando ricambi originali.
5. Per mantenere il dispositivo sempre in ordine, pulire periodicamente le parti di plastica utilizzando una soluzione di acqua e sapone delicato.
6. Quando necessario, lavare i componenti di tessuto a mano e lasciarli asciugare all'aria.
7. Lubrificare tutte le parti metalliche in movimento utilizzando unicamente un lubrificante a base di teflon.

NOTA: L'uso di un lubrificante non a base di teflon potrebbe danneggiare le parti in movimento.

8. Controllare settimanalmente i perni di blocco del freno di stazionamento e verificare che si innesti correttamente sul mozzo della ruota. Questo semplice controllo contribuirà alla sicurezza del bambino. Quando necessario, lubrificarlo con un lubrificante a base di teflon.
9. Controllare e pulire frequentemente i punti di attacco delle ruote in quanto sono il ricettacolo primario di sudiciume e sporcizia. I detriti che si accumulano in quest'area possono influire negativamente sulle prestazioni e la sicurezza del passeggino.

AVVERTENZA

1. Per garantire il livello massimo di prestazioni e per evitare possibili lesioni causate da un guasto, da un danno o da usura prematura, il passeggino deve essere sottoposto a manutenzione regolare.
2. Ispezionare e sottoporre a manutenzione il passeggino attenendosi strettamente a quanto riportato in questo manuale.
3. Quando si rileva un problema, prima di riutilizzare il passeggino, farlo controllare e riparare.
4. Almeno una volta all'anno chiedere al rivenditore di sottoporre il passeggino a un controllo di sicurezza e a una revisione completa.
5. Sabbia ed acqua marina (o in inverno il sale per sciogliere il ghiaccio) danneggiano i cuscinetti delle ruote anteriori e delle ruote posteriori. Per evitare danni derivanti dall'esposizione a questi agenti, provvedere immediatamente ad una accurata pulizia del passeggino.

B. PULIZIA

Componenti del telaio:

- Pulire mensilmente con acqua e sapone delicato.

Rivestimento:

- Lavare a mano quando necessario.
- Lavare in lavatrice quando necessario.
- Lasciare asciugare all'aria. L'asciugatura in essiccatore può danneggiare il tessuto.
- Resistenza al fuoco delle parti rivestite conformemente allo standard ISO 7176-16 (EN 1021-1/2).

NOTA: Il lavaggio del tessuto può ridurre le proprietà ignifughe del tessuto stesso.

C. CONSIGLI PER LA CONSERVAZIONE

1. Riporre il dispositivo in un luogo pulito e asciutto o le parti possono arrugginirsi o corrodersi.
2. Prima di usare il passeggino accertarsi che tutto funzioni in modo adeguato. Esaminare e revisionare tutte le parti elencate in questo manuale.
3. Se si ripone il passeggino per un periodo superiore a tre mesi, prima di riutilizzarlo farlo ispezionare dal rivenditore.

D. RIUTILIZZO/SMALTIMENTO/RICICLAGGIO DEI MATERIALI** AVVERTENZA**

Pericoli di soffocamento – Mantenere i materiali di imballaggio fuori dalla portata dei bambini.

Misure igieniche prima di riutilizzare la carrozzina:

La carrozzina deve essere preparata con attenzione prima di essere riutilizzata. Tutte le superfici che vengono a contatto con l'utente devono essere trattate con un disinfettante spray.

Per farlo è necessario utilizzare un disinfettante a base di alcol autorizzato/raccomandato nel Paese di residenza per le operazioni di disinfezione rapida dei dispositivi medici poiché devono essere disinfettati rapidamente.

Quando si usa un disinfettante attenersi alle istruzioni del produttore.

Normalmente non è possibile garantire una disinfezione sicura sulle cuciture. Per evitare contaminazioni microbatteriche si raccomanda quindi di smaltire i teli della seduta e dello schienale usando eventuali agenti attivi per la disinfezione previsti dalle normative locali in vigore per la protezione contro le infezioni.

Ogni settimana	Ogni tre mesi	Ogni sei mesi	Una volta all'anno	Tabella di manutenzione
○				Ispezione degli pneumatici (usura eccessiva, presenza di crepe)
○				Tenuta del freno di stazionamento (nessun cedimento)
	○			Ispezione visiva di componenti allentati
		○		Cinture di sicurezza e di posizionamento
		○		Assi e relativi manicotti (verifica della presenza di detriti)
	○			Assi a sgancio rapido (rimozione, pulizia)
○				Pneumatici delle ruote anteriori piroettanti (usura eccessiva, crepe)
	○			Ruote anteriori piroettanti (contatto uniforme, rotazione uniforme)
	○			Interfaccia sedile (verifica della presenza di detriti)
		○		Telaio, meccanismo di chiusura/apertura
		○		Rivestimento (lavare e asciugare)
			○	Revisione da parte del rivenditore autorizzato

NOTA: Se il prodotto è stato messo a disposizione da parte di un ente di beneficenza o di una istituzione medica, potrebbe non essere di proprietà. Se non è più necessario, seguire le istruzioni per restituirlo all'organizzazione che l'ha messo a disposizione.

Nella sezione seguente, sarà possibile trovare una descrizione dei materiali usati per il prodotto, per ragioni di smaltimento o riciclaggio del prodotto e dell'imballaggio.

Quando si organizza lo smaltimento, considerare le eventuali normative locali vigenti per lo smaltimento dei rifiuti o il riciclaggio. (Questo include la pulizia o la disinfezione del prodotto prima dello smaltimento).

Alluminio:	Telaio del passeggino, struttura della seduta
Acciaio:	Punti di fissaggio, assi, viti e dadi
Plastica:	Maniglione di spinta, forcelle ruote anteriori piroettanti, ruote, appoggiatepiedi, pneumatici, gancio di rilascio
Imballaggio:	Buste di plastica realizzate con polietilene, cartone
Rivestimento:	Tessuto di poliestere, schiuma poliuretanic

Lo smaltimento e il riciclaggio devono essere affidati ad una ditta specializzata o eseguiti presso un centro di smaltimento pubblico. Il passeggino può anche essere reso al rivenditore che si occuperà del suo smaltimento.

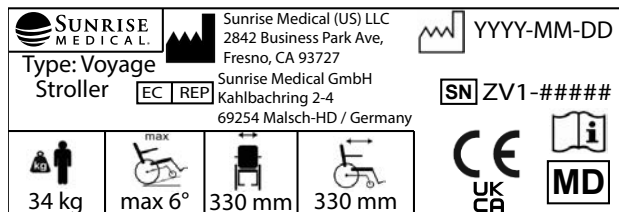
E. ORDINAZIONE DI RICAMBI

Targhetta di identificazione

La targhetta del nome del prodotto si trova sotto il sedile ed è riportata anche su un'etichetta nel Manuale d'uso. Su questa targhetta sono riportati i dati tecnici. In caso di ordine di ricambi o di reclamo è necessario comunicare i seguenti dati:

- Modello del dispositivo.
- Numero di serie del dispositivo.
- Codice, descrizione e quantità necessarie del ricambio.
- Indicare la ragione per la quale si richiede la sostituzione.

CAMPIONE



TYPE:	Nome del prodotto/codice articolo
	Larghezza seduta.
	Profondità (massima).
	Portata massima.
	Marchio UKCA.
	Marchio CE.
	Consultare le istruzioni per l'uso.
	Data di produzione.
	Numero di serie.
	Questo simbolo significa dispositivo medico.
	Indirizzo del produttore.
	Il crash test in conformità a: standard ISO 7176-19:2008.
	Indirizzo dell'importatore
	Rappresentante Autorizzato Europeo
	Responsabile di riferimento nel Regno Unito
	Indirizzo del rappresentante in Svizzera

XI. GARANZIA

QUESTA GARANZIA NON HA ALCUN EFFETTO SUI VOSTRI DIRITTI LEGALI.

Sunrise Medical S.r.l.* - Via Riva, 20 - Montale2 – 29121 Piacenza fornisce ai propri clienti una garanzia, valida a livello globale, che prevede quanto segue.

Condizioni della garanzia:

1. Se una o più parti di Zippie Voyage richiede una riparazione o una sostituzione dovuta a difetti di produzione o di materiale verificatisi entro 24 mesi dalla consegna all'utente, la parte o le parti coinvolte verranno riparate o sostituite gratuitamente.
2. Per far valere la garanzia, contattare il rivenditore Sunrise Medical indicando i dettagli esatti della natura del problema. Nel caso in cui l'utente si trovi in una località lontana dalla sede del tecnico autorizzato Sunrise Medical, la riparazione o la sostituzione richiesta potrà essere eseguita da un altro tecnico designato dal produttore. Il Zippie Voyage deve sempre essere riparato da un tecnico autorizzato da Sunrise Medical.
3. Per le parti riparate o sostituite nell'ambito di questa garanzia, verrà fornita una garanzia conforme alle condizioni della presente garanzia per il periodo di garanzia rimanente per il prodotto.
4. Per le parti di ricambio originali montate sulla carrozzina a spese del cliente vale una garanzia di 12 mesi (a partire dall'installazione), conformemente alle presenti condizioni di garanzia.
5. Le parti soggette a usura come imbottiture, pneumatici, camere d'aria e parti simili non saranno coperte dalla garanzia a meno che non presentino segni di logorio precoce dovuto direttamente a un difetto di fabbricazione.
6. Ai sensi di questa garanzia non saranno accettati reclami qualora una riparazione o la sostituzione del Zippie Voyage o di una sua parte venga richiesta per i seguenti motivi:
 - a. Il prodotto o una sua parte non sia stato riparato o revisionato in base alle indicazioni del produttore, come indicato nel manuale d'uso e/o nel manuale di manutenzione.
 - b. Non siano state usate solo parti originali.
 - c. Il Zippie Voyage, o parte di esso, siano stati danneggiati per negligenza, incidente o uso improprio.
 - d. Al Zippie Voyage o ad una sua parte siano stati apportati cambiamenti o modifiche non in accordo con quanto previsto dalle specifiche del produttore.
 - e. Le riparazioni sono state eseguite prima di informare il rivenditore autorizzato Sunrise Medical delle circostanze.
7. Questa garanzia è soggetta alla legislazione del paese in cui è stato acquistato il prodotto Sunrise Medical⁴

* Indicare il rivenditore Sunrise Medical presso cui è stato acquistato il prodotto.

SUNRISE LUISTERT

Hartelijk dank dat u hebt gekozen voor een Zippie product. We horen graag van u als u vragen of opmerkingen hebt over deze handleiding, de veiligheid en betrouwbaarheid van uw hulpmiddel en de dienstverlening die uw leverancier biedt. Neem gerust schriftelijk of telefonisch contact met ons op. U vindt de gegevens hieronder:

SUNRISE MEDICAL B.V.
GRONINGENHAVEN 18-20
3433 PE NIEUWEGEIN
T: +31 (0)30 – 60 82 100
E: INFO@SUNRISEMEDICAL.NL
WWW.SUNRISEMEDICAL.NL

Geef uw adres aan ons door. Hierdoor kunnen wij u informeren over veiligheid, nieuwe producten en opties waarmee u uw gebruik en plezier van dit mobiliteitsproduct voor afhankelijke personen kunt vergroten.

VOOR ANTWOORDEN OP UW VRAGEN

Uw erkende leverancier kent uw Zippie product het beste en kan vrijwel al uw vragen met betrekking tot veiligheid, gebruik en onderhoud beantwoorden.

Vul de onderstaande gegevens in zodat u deze later gemakkelijk kunt terugvinden:

Leverancier: _____

Adres: _____

Telefoon: _____

Serienummer: _____ Aankoopdatum: _____

BELANGRIJKE AANVULLENDE INFORMATIE

Dit product bevat geen enkel onderdeel waarin natuurlijke rubber (latex) is verwerkt.

I. INLEIDING	128	VIII. INSTELLINGEN & GEBRUIK	140
II. INHOUDSOPGAVE	129	A. UITVOUWEN EN OPVUWEN VAN HET BASISFRAME	140
III UW HULPMIDDEL EN DE ONDERDELEN	130	B. VOORWIELEN (ZWENKWIELEN)	141
UW HULPMIDDEL EN DE ONDERDELEN	130	C. ACHTERWIELEN	141
ZIPPIE VOYAGE MET COMFORTZITTING	130	D. DE PARKEERREM	141
IV. OPMERKING - LEES DIT VOOR GEBRUIK	131	E. MONTEREN VAN DE ZITTING	142
A. KIES HET JUISTE HULPMIDDEL EN DE VEILIGHEIDSOPTIES	131	F. VERWIJDEREN VAN DE ZITTING	142
B. LEES DEZE HANDLEIDING GEREGLD OPNIEUW DOOR	131	G. AANPASSING KANTELMECHANISME	143
C. WAARSCHUWINGEN	132	H. AANPASSING ACHTERWAARTSE KANTELING	144
V. ALGEMENE WAARSCHUWINGEN	133	I. AANPASSING KNIEHOEK	144
A. GEWICHTSBEPERKING	133	J. TRAPDOP	144
B. LEER UW HULPMIDDEL KENNEN	133	K. BEVESTIGEN EN AANPASSEN VAN DE BESCHERMKAP	145
C. OM DE KANS OP EEN ONGELUK TE VERMINDEREN	133	L. UITTREKKEN VAN DE DUWBEUGEL VAN DE WANDELWAGEN	145
D. VEILIGHEIDSCONTROLELIJST	133	IX. DEALERSERVICE & AANPASSING	146
E. WIJZIGINGEN EN AANPASSINGEN	133	A. AANPASSINGEN VOOR POSITIONERING EN GROEI	146
F. OMGEVINGSFACTOREN	134	B. AANPASSING COMFORT ZITTING	146
G. GEBRUIK IN HET VERKEER	134	C. AANPASSING HOOGTE SCHOUDERBAND:	147
H. VEILIGHEID IN MOTORVOERTUIGEN	134	D. AANPASSINGEN VOETSTEUN:	148
I. VOOR VERZORGERS	134	E. AANPASSING HOOGTE ZITTING	148
VI. WAARSCHUWINGEN: VALLEN & KANTELEN 135		F. AANPASSINGEN POSITIONERINGSGORDEL, HEUP:	149
A. EVENWICHTSPUNT	135	G. KRUISGORDEL VOOR ROMPONDERSTEUNING	151
B. AANKLEDEN OF ANDERE KLEDING AANTREKKEN	135	H. LATERALE ROMPONDERSTEUNING EN HOOFDSTEUNEN (OPTIONEEL)	151
C. OBSTAKELS	135	I. ONDERSTEUNING VOORZIJDE	152
D. UITSTREKKEN OF LEUNEN	135	J. HEUPONDERSTEUNING (OPTIONEEL):	152
E. HELLINGEN, GLOOIINGEN EN BERGHELLINGEN	135	K. BEVESTIGEN EN AANPASSEN VAN HET PLATEAU:	153
F. TE VERGEMAKKELIJKEN.	135	L. AANPASSING VOETBAND (OPTIONEEL):	153
G. OP OF AF EEN STOEP OF TREDE RIJDEN	136	M. AANPASSING BAND SCHOENHOUDER (OPTIONEEL):	153
H. OPGAAN VAN TRAPPEN	136	N. PLATEAUS VOOR BEADEMINGSAPPARATUUR/ACCU'S (OPTIONEEL):	154
I. DE TRAP AFGAAN	136	O. EXTRA PLATFORM VOOR- OF ACHTERZIJDE (OPTIONEEL):	154
J. ROLTRAPPEN	136	P. INFUUSHOUDERSTANG / ZUURSTOFTANKHOUDER (OPTIONEEL):	154
VII WAARSCHUWINGEN - COMPONENTEN & OPTIES	137	Q. KOPHOUDER, MULTIFUNCTIONELE HAAK (OPTIONEEL):	154
A. BASISFRAME	137	X. ONDERHOUD	155
B. ONDERSTEUNEND PLATEAU	137	A. OPMERKINGEN	155
C. BEVESTIGINGSMATERIALEN	137	B. REINIGING	155
D. VOETSTEUN	137	C. TIPS VOOR HET OPBERGEN	156
E. BANDEN EN WIELEN	137	D. HERGEBRUIK/AFVALVERWERKING/RECYCLING VAN MATERIALEN	156
F. PARKEERREM	138	E. BESTELLEN VAN ONDERDELEN	157
G. OPBERGRUIMTE ONDER DE ZITTING	138	XI. GARANTIE	158
H. ACCESSOIREPLATEAUS	138	XI. GARANTIE	158
I. BESCHERMKAP	138		
J. ZITSYSTEMEN	138		
K. POSITIONERINGSGORDEL, HEUP	138		
L. KUSSENS	138		
M. KANTELEN EN NAAR ACHTEREN KANTELEN	138		
N. TRANSIT-OPTIE EN GEBRUIK	138		

UW HULPMIDDEL EN DE ONDERDELEN



1. Opvouwbaar frame
2. Bevestiging plateau
3. Bevestigingspunt voor transport achterzijde (optioneel)
4. Bediening opvouwmechanisme
5. Achterwiel
6. Quick-release wiel
7. Opbergmand onder de zitting
8. Bevestigingspunt transport voorzijde (optioneel)
9. Rijrichtingvergrendeling
10. 7" Zwenkwiel
11. Instelbare voetenplaat
12. Hendel voor aanpassing hoogte voetsteun
13. Verstelbare heupondersteuning
14. Duwbeugel
15. Verstelbare laterale ondersteuning
16. Verstelbare hoofdsteun
17. Comfort zitting
18. Bevestigingspunt beschermkap
19. Aanpassing hoek duwhandvat
20. Beschermkap

ZIPPIE VOYAGE MET COMFORTZITTING

Verstelbereik:

Kantelverstelling	+5° tot - 30°	
Rugverstelling	90° tot 180°	
Hoogte duwbeugel	39-1/4" tot 47-3/4"	(820 mm tot 1210 mm)
Zitdiepte	8" - 13"	(200 mm tot 330 mm)
Zitbreedte (ter hoogte van de heupen)	9,5" - 12"	(240 mm tot 300 mm)
Hoogte rugleuning	16,1" - 24"	(410 mm tot 610 mm)

Verstelbereik onderbeen/voetsteun

Onderbeen/voet	6,1" - 12,2"	(155 mm - 310 mm)
Voetsteun hoek verstelling	50°	

OPMERKING:

- In sommige configuraties of in combinatie met andere kenmerken van het product zijn mogelijk niet alle kenmerken beschikbaar. Neem contact op met uw leverancier voor meer informatie Uw erkende dealer kan u ook meer informatie geven over accessoires.
- De afzonderlijke onderdelen mogen de hiernaast genoemde maximale gewichten niet overschrijden.
- De totale gecombineerde maximale belasting mag niet zwaarder zijn dan 77 kg.
- De Zippie Voyage voldoet aan alle eisen van ISO 7176-8.

Afmetingen en gewicht

Totale breedte	24-1/8"	(615 mm)
Zithoogte	25"-23,5"-22,5"	(640 mm - 600 mm - 575 mm)
Lengte	42,5"	(1080 mm)
Totale hoogte	32" - 48"	(810-1220 mm)
Lengte wanneer ingeklapt	35-1/8"	(800 mm)
Hoogte wanneer ingeklapt	12,25"	(310 mm)
Breedte wanneer ingeklapt	23,6"	(625 mm)
Draaicirkel	43,3"	(1100 mm)
Max. Helling voor parkeerrem	9°	9°
Max. Gebruikersgewicht	75 lbs	(34 kg)
Totaal gewicht	42,5 lbs	(22,5 kg)
Gewicht van het onderstel	28 lbs	(12,7 kg)
Gewicht van de zitunit	21,5 lbs	(9,8 kg)

Maximum belasting:

Plateau onder zitting	50 lbs	(22,5 kg)
Plateau aan voorzijde	50 lbs	(22,5 kg)
Plateau aan achterzijde	45 lbs	(20 kg)
Zuurstoftankhouder	10 lbs	(4,5 kg)
Bekerhouder:	1 lb	(0,5 kg)
Opbergruimte onder de zitting	15 lbs	(7 kg)
Verticaal plateau voor beademingsapparatuur (achterzijde)	15 lbs	(7 kg)

A. KIES HET JUISTE HULPMIDDEL EN DE VEILIGHEIDSOPTIES

Sunrise biedt een ruime keus op het gebied van mobiliteitsmiddelen om te voldoen aan de behoeften van uw kind. Echter, de uiteindelijke keuze voor het type hulpmiddel rust uitsluitend bij u en uw medische adviseur. De keuze voor het beste hulpmiddel voor vroegtijdige interventie en de beste instelling voor veiligheid, hangt af van zaken zoals:

1. De handicap, kracht, evenwicht, coördinatie en beperkingen van het vermogen van het kind.
2. Het soort gevaren die in het dagelijkse leven overwonnen moet worden (afhankelijk van leefsituatie, werk, school) en andere plaatsen waar het medische hulpmiddel zal worden gebruikt.
3. De noodzaak tot bepaalde opties voor de veiligheid en het comfort van de gebruiker.

BEDOELD GEBRUIK: De Zippie Voyage is bedoeld voor medisch gebruik, om mobiliteit te bieden via een verzorger (geen zelfbewegers) aan personen onder de 34 kg, beperkt tot een zittende positie.

Dit product is niet geschikt om te joggen, te skaten, of voor andere, gelijksoortige activiteiten.

LEVENSDUUR: De verwachte levensduur van het product is vijf jaar.

Het managementsysteem van SUNRISE MEDICAL is gecertificeerd en voldoet aan de ISO 13485 en ISO 14001 normen.

Wij van SUNRISE MEDICAL hebben het ISO-13485-certificaat ontvangen, dat de kwaliteit van onze producten in elke fase bevestigt, van R&D tot productie. Dit product voldoet aan de standaarden zoals bepaald in regelgeving van de EU en het VK.

Wanneer levering/aanschaf van een rolstoel wordt overwogen, neem dan de volgende zaken in overweging: lichaamsgrootte, gewicht, fysieke en psychische toestand, leeftijd, leefomstandigheden en -omgeving.

OPMERKING: Algemeen advies. Wanneer deze instructies niet worden opgevolgd, kan dit leiden tot fysiek letsel, schade aan het product of schade aan de omgeving!

Een mededeling aan de gebruiker en/of patiënt: wanneer dit product betrokken was bij een ernstig incident, dient dit aan Sunrise Medical en de bevoegde autoriteit van de Lidstaat waarin de gebruiker en/of patiënt is gevestigd, te worden gemeld.



SUNRISE MEDICAL verklaart als fabrikant dat dit product voldoet aan de EU-verordening Medische hulpmiddelen (2017/745).

Built-4-Me speciale aanpassingen

Sunrise Medical adviseert nadrukkelijk alle bij uw Built-4-Me product meegeleverde gebruikersinformatie zorgvuldig door te lezen voordat u het product voor het eerst gebruikt. Alleen wanneer u de gebruiksaanwijzingen volledig hebt doorgelezen en begrijpt, bent u ervan verzekerd dat het Built-4-Me product functioneert en presteert zoals de fabrikant dit heeft bedoeld. Sunrise Medical adviseert tevens de gebruikersinformatie na het lezen niet weg te gooien, maar het veilig op te bergen, zodat u de informatie later nog eens kunt doornemen.

Combinaties van medische hulpmiddelen

Het is eventueel mogelijk om dit medische hulpmiddel met één of meerdere andere medische hulpmiddelen of een ander product te combineren. Kijk voor informatie over mogelijke combinaties op www.Sunrisemedical.nl Alle op de lijst vermelde combinaties zijn gevalideerd om te voldoen aan de Algemene veiligheids- en prestatievereisten, Artikel 14.1 van de EU-verordening voor Medische hulpmiddelen (2017/745).

Richtlijnen voor de combinatie, zoals de bevestiging, vindt u op www.SunriseMedical.nl

Dankzij de vele aanpassingsmogelijkheden kan het hulpmiddel worden gebruikt door personen die niet kunnen lopen of beperkt mobiel zijn vanwege:

- Verlamming
- Amputatie (van been of benen)
- Disfunctioneren of misvorming van been of benen
- Contractuur van/letsel aan gewrichten
- Ziektes zoals harten vaatziektes, evenwichtsstoelingen, spieren skeletaandoeningen in het bewegingsapparaat

De wandelwagen mag niet zonder de ouder/zorgverlener worden gebruikt.

OPMERKING:

NB: het besturen van een rolstoel vereist voldoende cognitieve, fysieke en visuele vaardigheden. De gebruiker moet in staat zijn de effecten van handelingen tijdens het gebruik van de rolstoel te beoordelen en deze zo nodig te corrigeren. Deze vermogens en het veilige gebruik van aanvullend bevestigde onderdelen kunnen niet door Sunrise Medical als fabrikant worden beoordeeld. We kunnen geen aansprakelijkheid voor schade als gevolg hiervan accepteren.

Lees de gebruiksaanwijzing van de rolstoel en de aanvullend aangebrachte onderdelen door. Instrueer de gebruiker over het veilige gebruik van de rolstoel en de aanvullend bevestigde onderdelen. Informeer gebruikers over specifieke waarschuwingen die gelezen, begrepen en gerespecteerd moeten worden.

B. LEES DEZE HANDLEIDING GEREGELD OPNIEUW DOOR

Voordat dit product wordt gebruikt, moet u, en iedere persoon die u helpt, deze handleiding in zijn geheel doorlezen. Zorg ervoor dat u alle instructies opvolgt. Lees de waarschuwingen vaak door, zodat ze vanzelfsprekend voor u zijn.

C. WAARSCHUWINGEN

Het woord "WAARSCHUWING" verwijst naar een gevaar of onveilige situatie die kan leiden tot ernstig letsel of overlijden bij u of anderen.

De 'Waarschuwingen' zijn als volgt in vier hoofdstukken ingedeeld:

1. V — ALGEMENE WAARSCHUWINGEN

Hier vindt u een veiligheidschecklist en een samenvatting van risico's waarmee u bekend moet zijn voordat u met dit hulpmiddel rijdt.

2. VI — WAARSCHUWINGEN — VALLEN & KANTELEN

In dit hoofdstuk wordt uitgelegd hoe in het dagelijkse gebruik van het hulpmiddel vallen of omkantelen kan worden voorkomen.

3. VII — WAARSCHUWINGEN — VOOR VEILIG GEBRUIK

In dit hoofdstuk vindt u informatie over het veilig gebruiken van dit hulpmiddel.

4. VIII — WAARSCHUWINGEN — ONDERDELEN & OPTIONELE ONDERDELEN

In dit hoofdstuk staat informatie over de onderdelen van het hulpmiddel en de opties die u om veiligheidsredenen kunt kiezen. Overleg met uw erkende leverancier en uw medische adviseur om u te helpen met de keuze voor de beste instellingen en opties voor veilig gebruik.

OPMERKING: Waar van toepassing, vindt u in diverse hoofdstukken van deze handleiding ook andere opmerkingen ten aanzien van de veiligheid. In de onderstaande tabel vindt u een overzicht van deze opmerkingen en hun betekenis. Houd u aan al deze opmerkingen ten aanzien van de veiligheid. Als u dit nalaat, kan het gevolg zijn dat u valt, met de rolstoel kantelt, of de controle over de rolstoel verliest. Dit kan leiden tot ernstig letsel van uzelf en/of anderen.

Woord	Betekenis
 GEVAAR!	De gebruiker wordt geattendeerd op de kans op ernstig letsel of overlijden indien het advies niet wordt opgevolgd.
 WAARSCHUWING!	De gebruiker wordt geattendeerd op de kans op letsel indien het advies niet wordt opgevolgd.
 OPGELET!	De gebruiker wordt geattendeerd op de kans op schade aan de apparatuur indien het advies niet wordt opgevolgd.
OPMERKING:	Algemeen advies of beste gebruik
	Verwijzing naar aanvullende documentatie

A. GEWICHTSBEPERKING**⚠ WAARSCHUWING**

1. Overschrijd NOOIT de gewichtslimiet van 34 kg voor het gewicht van de gebruiker. Als deze limiet wordt overschreden, kan schade aan het hulpmiddel, een val, kantelen of verlies van controle het gevolg zijn, en ernstig letsel bij het kind en/of anderen veroorzaken.
2. Hang nooit artikelen zwaarder dan 2,3 kg (5lbs) aan de duwbeugel of duwhandvatten die aan de achterkant van de zitting zijn bevestigd. Hierdoor kan een val, kanteling of verlies van controle ontstaan.

B. LEER UW HULPMIDDEL KENNEN**⚠ WAARSCHUWING**

Lees alle instructies voordat u dit product gebruikt. Uw arts of therapeut moet u leren hoe u dit product veilig kunt gebruiken.

C. OM DE KANS OP EEN ONGELUK TE VERMINDEREN**⚠ WAARSCHUWING**

1. VOORDAT u dit hulpmiddel gebruikt, moet uw arts of therapeut u leren hoe u dit product veilig kunt gebruiken.
2. Oefen het overplaatsen van het kind totdat u uw grenzen en die van uw kind kent. Vraag altijd om hulp als u iemand nodig hebt om u te helpen om vallen of kantelen te voorkomen.
3. Houd er rekening mee dat u uw eigen methodes voor veilig gebruik moet ontwikkelen, zodat deze passen bij uw functioneringsniveau en capaciteiten.
4. Probeer NOOIT een nieuwe manoeuvre terwijl u alleen bent, totdat u zeker weet dat u deze veilig kunt uitvoeren.
5. Ken de gebieden waar u van plan bent het mobiliteitsmiddel te gebruiken, kijk naar de gevaren en bedenk hoe u deze kunt vermijden.

D. VEILIGHEIDSCONTROLELIJST**⚠ WAARSCHUWING**

Voor ieder gebruik van het medisch hulpmiddel voor vroege interventie.

1. De parkeerrem moet worden aangepast om goede functionaliteit te behouden. Activeer altijd de parkeerrem voordat u een afhankelijk kind overplaatst.
2. Controleer of het hulpmiddel gemakkelijk rolt en alle onderdelen soepel werken. Inspecteer op vreemde geluiden, trilling of verandering in gebruiksgemak. Dit kan duiden op loszittend bevestigingsmateriaal of andere schade.
3. Repareer ieder probleem dat u tegenkomt. Uw erkende leverancier kan u helpen problemen te vinden en op te lossen.
4. Controleer of de band/as aan beide zijdes volledig ingeschakeld en vergrendeld zijn. Als ze niet vergrendeld zijn, kan het wiel los komen en een val veroorzaken.
5. Zet uw kind nooit in het mobiliteitshulpmiddel voordat het volledig uitgevouwen en vergrendeld is.
6. Als de lengte van de duwbeugel is aangepast, controleer dan altijd of deze op de nieuwe lengte vergrendeld is.
7. Gebruik altijd een heupgordel wanneer een kind in de wandelwagen zit.
8. Laat uw kind nooit zonder toezicht achter.
9. VERSTIKKINGSGEVAAR - In dit mobiliteitshulpmiddel zijn kleine onderdelen verwerkt die onder bepaalde omstandigheden een verstikkingsgevaar voor kleine kinderen kunnen vormen.

E. WIJZIGINGEN EN AANPASSINGEN**⚠ WAARSCHUWING**

1. Laat de zitcomponenten en accessoires regelmatig door uw arts of therapeut aanpassen aan de groei van uw kind.
2. Ongeoorloofde wijzigingen of gebruik van onderdelen die niet geleverd of goedgekeurd zijn door Sunrise Medical, kunnen de structuur van het product veranderen. Hierdoor vervalt de garantie en er kan gevaar voor de veiligheid ontstaan.

F. OMGEVINGSFACTOREN**⚠ WAARSCHUWING**

1. Uw mobiliteitsmiddel is ontworpen om op stevige, vlakke oppervlaktes te worden gebruikt, zoals beton, asfalt, vloeren binnenshuis, en tapijt.
2. Wees extra voorzichtig als u dit product op een nat of glad oppervlak moet gebruiken. Als u twijfelt, vraag dan om hulp.
3. Gebruik uw mobiliteitsmiddel niet in zand, losse grond of ruig terrein.
4. Als de wandelwagen langere tijd aan direct zonlicht blootgesteld wordt, kunnen sommige delen van het product, zoals het frame, de beensteunen, de wielvergrendeling en de zijbescherming, erg heet (>41°C) worden.
5. Wees voorzichtig met vuur, en vooral met brandende sigaretten. Houd uit de buurt van ontstekingsbronnen. De banden van de rugleuning en zitting kunnen vlam vatten.

G. GEBRUIK IN HET VERKEER**⚠ WAARSCHUWING**

1. Wanneer dit mobiliteitsmiddel wordt gebruikt, verdient het de voorkeur gebruik op de weg zoveel mogelijk te vermijden.
2. U moet met dit product op wandelpaden blijven en daarbij alle wet- en regelgeving die voor voetgangers geldt, naleven.
3. Wees alert op het gevaar van motorfietsen op parkeerplaatsen.
4. Gebruik 's nachts, of wanneer de verlichting slecht is, reflecterend tape of reflecterende kleding voor maximale zichtbaarheid.
5. Als u een straat moet oversteken, maak dan eerst oogcontact met bestuurders voordat u oversteekt. Wanneer u twijfelt, wacht dan tot u er zeker van bent dat het veilig is.
6. Op basis van ANSI/RESNA testen adviseert Sunrise Medical het gebruik van een zwenkwiel met een minimale diameter van 5" (127mm), als de rolstoel regelmatig over obstakels met een hoogte tot maximaal 1/2" (12,7 mm) zal rijden.
7. Uw wandelwagen is ontworpen om op stevige, vlakke oppervlaktes te worden gebruikt, zoals beton, asfalt, vloeren binnenshuis, en tapijt.
8. Gebruik de wandelwagen niet in zand, op losse grond of op rotsachtig terrein.
9. Indien u de wandelwagen in terrein gebruikt dat ruiger is dan hierboven omschreven, bestaat het gevaar dat schroeven en bouten voortijdig losraken. Ook kan het kind door schade aan wielen of assen worden blootgesteld aan een risico op vallen, kantelen, of verlies van controle over de wandelwagen.

Wanneer u deze waarschuwingen niet in acht neemt, kan dit leiden tot schade aan de rolstoel, vallen, kantelen, of verlies van controle over de rolstoel. Bovendien kan het leiden tot ernstig letsel van de rolstoelgebruiker of anderen.

H. VEILIGHEID IN MOTORVOERTUIGEN**⚠ WAARSCHUWING**

Op de voorkant van deze gebruikershandleiding staat vermeld of uw hulpmiddel is voorzien van de transport-optie. Controleer of dit het geval is. Als uw product NIET is voorzien van de transport-optie:

1. Gebruik dit mobiliteitsmiddel NOOIT als autostoel.
2. Verplaats de gebruiker ALTIJD naar een goedgekeurde autostoel.
3. Gebruik ALTIJD de juiste veiligheidsgordels om de gebruiker goed vast te zetten.
4. Bij een ongeluk of plotselinge stop kan de persoon die in het mobiliteitsmiddel zit, hieruit worden geworpen. De heupgordels van het mobiliteitsmiddel kunnen dit niet voorkomen en er kan door deze gordels of banden extra letsel ontstaan.
5. Vervoer dit product NOOIT in de voorstoel van een voertuig. Hierdoor ontstaat het risico op ernstig letsel of overlijden van de afhankelijke gebruiker en/of de bestuurder.
6. Zet het mobiliteitsmiddel zonder persoon erin bij vervoer in een voertuig ALTIJD zodanig vast dat het niet kan rollen of schuiven.
7. Gebruik dit product niet als het betrokken is geweest bij een auto-ongeluk. Als uw product is voorzien van de transport-optie, lees dan Hoofdstuk VII. "Transport-optie en gebruik".

I. VOOR VERZORGERS**⚠ WAARSCHUWING**

1. Werk samen met de arts of therapeut van het kind om te leren welke veiligheidsmethodes het best passen bij uw mogelijkheden en die van uw kind.
2. Om rugklachten te voorkomen, moet u goed op uw lichaamshouding letten en de juiste technieken gebruiken om uw kind te tillen of kantelen.
3. Laat het afhankelijke kind naar achteren leunen wanneer u het medische hulpmiddel achterwaarts kantelt.
4. Wanneer u van een stoep of enkele trede afgaat, laat dan het mobiliteitsmiddel in een enkele, gemakkelijke beweging langzaam naar beneden gaan.
5. Laat het afhankelijke kind NOOIT alleen.
6. Activeer altijd de parkeerrem en de wielvergrendeling van de voorwielen wanneer u aanpassingen doet aan het mobiliteitsmiddel. Hierdoor worden onbedoelde bewegingen tot een minimum teruggebracht.
7. Zorg ervoor dat de begeleider het mobiliteitsmiddel uitsluitend vasthoudt aan vaste onderdelen (d.w.z. niet aan de voetsteunen).
8. Til de stoel nooit op met het kind erin.

A. EVENWICHTSPUNT**⚠ WAARSCHUWING**

Mobiliteitsmiddelen voor afhankelijke personen zijn ontworpen met stabiliteit en prestaties in gedachten. Het punt waarop dit toestel naar voren, achteren of opzij kantelt, hangt af van het evenwichtspunt en de stabiliteit. Het evenwichtspunt wordt ook beïnvloed door:

- de zithoogte en de zithoek;
- hoek rugleuning;
- Veranderingen in de lichaamshouding, positie of gewichtsverdeling van uw kind.
- Het rijden met het product op een hellend of glooiend oppervlak.
- het gebruik van een rugzak of andere opties; en het extra toegevoegde gewicht.
- Het gebruik van ademhalingsapparatuur, accu's, zuurstoffles en andere opties, en het extra gewicht dat door deze opties aan het mobiliteitsmiddel wordt toegevoegd.

Voor het behoud van het juiste zwaartepunt en een goed evenwicht:

- Overleg met uw medische adviseur en/of leverancier om u te helpen het mobiliteitsmiddel op de juiste wijze in te stellen.
- Overleg met uw erkende leverancier of medische adviseur VOORDAT u uw mobiliteitsmiddel wijzigt of aanpast.

B. AANKLEDEN OF ANDERE KLEDING AANTREKKEN**⚠ WAARSCHUWING**

Bij het aankleden of aantrekken van andere kleding terwijl het kind in de wandelwagen zit, wordt mogelijk het gewicht van het kind verplaatst.

Om het risico op een val of kantelen tijdens het aankleden of wisselen van kleding of luiers te voorkomen:

- Draai de voorste zwenkwielen tot ze naar voren gericht staan.
- Activeer de parkeerrem.

C. OBSTAKELS**⚠ WAARSCHUWING**

Obstakels en gevaren op de weg (zoals putdeksels of kapotte bestrating) kunnen het mobiliteitsmiddel beschadigen en leiden tot een val, kantelen of verlies van controle.

Om deze risico's te vermijden adviseren we:

- Kijk goed vooruit en beoordeel de omgeving op mogelijke gevaren als u met het medische hulpmiddel rijdt.
- Controleer of de vloer/grond vlak en vrij van obstakels is.
- Plaats een oprijplaat bij deuren. Let erop dat er geen verval is aan het einde van de oprijplaat.

D. UITSTREKKEN OF LEUNEN**⚠ WAARSCHUWING**

Als uw kind naar iets reikt of leunt, heeft dit invloed op het zwaartepunt van het mobiliteitsmiddel. Dit kan leiden tot een val of kantelen.

- Laat uw kind NOOIT naar iets reiken of leunen als hij/zij hiervoor uit de stoel overeind moet komen.
- Als uw kind naar iets moet reiken, rijd het mobiliteitsmiddel dan zo dicht mogelijk naar het object toe, en draai de voorste zwenkwielen totdat ze zo ver mogelijk voorwaarts staan.

OPMERKING: Om dit te doen: Rijd het medische hulpmiddel voorbij het object dat het kind wil pakken, en vervolgens rijdt u achterwaarts tot u ernaast staat.

E. HELLINGEN, GLOOIINGEN EN BERGHELLINGEN**⚠ WAARSCHUWING**

Wanneer het mobiliteitsmiddel op een hellend of glooiend oppervlak wordt voortgeduwd, wordt het zwaartepunt gewijzigd. Houd het volgende goed in gedachten:

1. Duw dit product niet op een helling die steiler is dan 10%. (Een helling van 10% betekent dat er één meter stijging is voor iedere tien meter lengte van de helling).
2. Draai niet en verander niet van richting op een glooiing of helling.
3. Voor de veiligheid van uw kind moeten rijplaten thuis en op school voldoen aan alle wettelijke vereisten die in uw land gelden.
4. Blijf altijd in het MIDDEN van de oprijplaat.
5. Gebruik een rijplaat met zijrails (of verhoogde kanten van minstens 760 mm hoog).
6. Rij altijd recht tegen een helling of rijplaat op en recht er vanaf.
7. Stop niet op een steile helling.
8. Let op een eventuele afstap aan het einde van een helling of rijplaat.
9. Gebruik niet de parkeerrem om het mobiliteitsmiddel af te remmen of te stoppen.
10. Wees bedacht op natte of gladde oppervlaktes, vooral op hellingen.
11. Kantel de zitting niet wanneer u tegen een heuvel oprijdt.
12. Vraag om hulp als u niet zeker bent van de stabiliteit.

F. TE VERGEMAKKELIJKEN.**⚠ WAARSCHUWING**

1. Werk samen met uw medische adviseur om te leren hoe u het kind veilig kunt optillen en overplaatsen.
2. Laat iemand u helpen totdat u weet hoe u zelf het afhankelijke kind veilig kunt overplaatsen.
3. Zet het mobiliteitsmiddel van uw kind zo dicht mogelijk bij de plek waarnaar de transfer moet plaatsvinden.
4. Draai de voorste zwenkwielen tot ze naar voren gericht staan.
5. Activeer de parkeerrem voordat u het kind overplaatst. Hierdoor blijft het mobiliteitsmiddel stabiel tijdens de transfer.
6. Wanneer u een kind overplaatst naar het mobiliteitsmiddel, zorg er dan voor dat hij of zij zover mogelijk achterin het zitoppervlak wordt geplaatst. Hierdoor wordt het risico kleiner dat het medische hulpmiddel kantelt en/of van u wegrijdt.

G. OP OF AF EEN STOEP OF TREDE RIJDEN** WAARSCHUWING**

Volg voor het op- of afgaan van een trap of stoep de onderstaande instructies op. Probeer nietover een hoge stoep of trede te rijden (hoger dan 100 mm), als er een plateau of platform aan de achterzijde is geïnstalleerd. Dit kan leiden tot een risico op letsel bij de verzorger, omdat het mobiliteitsmiddel door het evenwichtspunt kan gaan en kantelen. Ook kan hierdoor schade aan het mobiliteitsmiddel ontstaan.

Om een stoep of trede in ACHTERWAARTSE richting af te gaan:

1. Blijf aan de achterzijde van het mobiliteitsmiddel.
2. Ongeveer een meter voordat u de stoep of trede bereikt, draait u het mobiliteitsmiddel om en trekt het naar achteren.
3. Kijk over uw schouder en stap voorzichtig naar achteren, totdat u van de stoep of trede af bent en lager staat.
4. Trek het mobiliteitsmiddel naar u toe totdat de achterwielen de rand van de stoep of trede bereiken. Laat vervolgens de rolstoel langzaam naar het lagere niveau rollen.
5. Als de achterwielen veilig op het lagere niveau staan, kantelt u het mobiliteitsmiddel terug naar zijn evenwichtspunt. Hierdoor komen de voorwielen van de stoep of trede af.
6. Houd het mobiliteitsmiddel in evenwicht en neem kleine stapjes naar achteren. Draai het product om en laat de voorwielen rustig naar de grond zakken.

Om in VOORWAARTSE richting over een stoep of trede te rijden:

1. Blijf achter het mobiliteitsmiddel.
2. Kijk naar de stoep of trede en kantel het mobiliteitsmiddel omhoog op de achterwielen, zodanig dat de voorwielen over de stoep of trede gaan.
3. Beweeg in voorwaartse richting, en plaats de voorwielen op het hogere niveau zodra u zeker weet dat ze voorbij de rand zijn.
4. Blijf voorwaarts lopen totdat de achterwielen contact maken met de voorzijde van de stoep of trede. Til en rol de achterwielen naar het hogere niveau.

H. OPGAAN VAN TRAPPEN** WAARSCHUWING**

1. Rij geen trap op als er op het mobiliteitsmiddel een extra plateau is geïnstalleerd.
2. Om het mobiliteitsmiddel met daarin een kind een trap op te verplaatsen, zijn minstens twee begeleiders nodig.
3. De persoon moet in ACHTERWAARTSE richting kijken wanneer hij/zij de trap op wordt getild.
4. Draag het mobiliteitsmiddel ALTIJD door het aan het FRAME vast te houden, vermijd het optillen aan de voetsteun, wielen, plateau-onderdelen en andere componenten die van het product verwijderd kunnen worden.
5. De persoon aan de achterzijde heeft de leiding. Hij of zij kantelt het mobiliteitsmiddel terug naar het evenwichtspunt.
6. Een tweede begeleider aan de voorzijde pakt een vast onderdeel van het voorste deel van het frame goed vast, en tilt het mobiliteitsmiddel op en over de trap.
7. De begeleiders moeten steeds één trap tegelijk opgaan, totdat de volgende verdieping is bereikt.

I. DE TRAP AFGAAN** WAARSCHUWING**

1. Ga niet van een trap af als er op het mobiliteitsmiddel een extra plateau is geïnstalleerd.
2. Om het mobiliteitsmiddel met daarin een kind een trap af te verplaatsen, zijn minstens twee begeleiders nodig.
3. Bij het afgaan van een trap, moet de persoon in het mobiliteitsmiddel in VOORWAARTSE richting kijken.
4. Draag het mobiliteitsmiddel ALTIJD door het aan het FRAME vast te houden, vermijd het optillen aan de voetsteun, wielen, plateau-onderdelen en andere componenten die van het mobiliteitsmiddel afgehaald kunnen worden.
5. De persoon aan de achterzijde heeft de controle. Hij of zij kantelt het mobiliteitsmiddel terug naar het evenwichtspunt van de achterwielen en rolt het hulpmiddel naar de rand van de bovenste tree.
6. Een tweede begeleider gaat op de derde tree van boven staan en pakt het frame vast. Hij of zij laat het hulpmiddel tree voor tree naar beneden komen door de achterwielen over de rand van de trap te laten rollen.
7. De begeleiders moeten steeds één tree tegelijk afgaan, totdat de lagere verdieping is bereikt.

J. ROLTRAPPEN** WAARSCHUWING**

Gebruik dit mobiliteitsmiddel NOOIT op een roltrap, zelfs niet met een begeleider.

 WAARSCHUWING

Dit hulpmiddel voor vroege interventie is getest en goedgekeurd met gebruik van Sunrise accessoires. Door het gebruik van een accessoire die niet nadrukkelijk is goedgekeurd door Sunrise Medical, wordt uw garantie ongeldig, en het kan een veiligheidsrisico toevoegen voor begeleider en kind.

A. BASISFRAME**⚠ WAARSCHUWING**

Controleer voor ieder gebruik kabels en vergrendelings/ontgrendelingsknoppen, zodat u zeker weet dat ze goed functioneren. Controleer of het basisframe is vergrendeld voordat u uw kind in het product plaatst.

B. ONDERSTEUNEND PLATEAU**⚠ WAARSCHUWING**

Voordat u een plateau toevoegt of verwijdert, moeten de voorwielen naar de voorkant van het hulpmiddel wijzen en de parkeerrem moet ingeschakeld zijn. Hierdoor wordt voorkomen dat de wielen beginnen te rollen terwijl u het plateau bevestigt. Het plateau heeft een maximale belasting van 23 kg.

1. Til het medische hulpmiddel niet op aan de steunen van het plateau.
2. Controleer ALTIJD of het plateau volledig op zijn plaats is vergrendeld nadat deze aan het mobiliteitsmiddel is toegevoegd.

C. BEVESTIGINGSMATERIALEN**⚠ WAARSCHUWING**

Veel van de schroeven en bouten op dit product worden als speciale extra sterke bevestigingsmiddelen gezien. Om de veiligheid van de gebruiker en begeleider te verzekeren, moeten deze periodiek worden gecontroleerd en onderhouden.

1. De meeste aanpassingen waarvoor bevestigingsmateriaal moet worden verwijderd, moet worden uitgevoerd door uw leverancier.
2. Gebruik uitsluitend bevestigingsmaterialen die zijn geleverd door een erkende leverancier (of bevestigingsmateriaal van hetzelfde type en dezelfde kracht), zoals aangegeven door de markeringen op de koppen.
3. Draai het bevestigingsmateriaal niet te strak en niet te los aan. Als er schroeven of bouten loszitten, draai ze dan zo snel mogelijk weer aan.

D. VOETSTEUN**⚠ WAARSCHUWING**

1. Aanpassing van de voetsteun kan in sommige posities gehinderd worden door het lagere deel van het frame aan de voorzijde. Hierdoor kan het comfort en de juiste ondersteuning van de persoon in het mobiliteitsmiddel worden beïnvloed.
2. Voorkom dat er extra gewicht op de voetsteun komt. Hierdoor kan het mobiliteitsmiddel naar voren kantelen (of naar achteren als het zitsysteem is omgekeerd).
3. Til dit mobiliteitsmiddel nooit op aan de voetsteunen.
4. Sta niet op de voetplaten tijdens overplaatsingen. De kans is groot dat de rolstoel voorover kantelt wanneer u op de voetplaten gaat staan.
5. Zet altijd uw voeten stevig op de grond voordat u in of uit de rolstoel stapt.

E. BANDEN EN WIELEN**⚠ WAARSCHUWING**

1. Het wordt aanbevolen de banden jaarlijks op overmatige slijtage te controleren om onder alle omstandigheden goede grip te garanderen.
2. Wanneer u een voorwiel- of achterwiel/band installeert, schuif dan de wielen in de opening van de as totdat de quick-release-knop eruit komt en u een 'klik' hoort. Het wiel is nu volledig geïnstalleerd en vergrendeld.
3. Neem contact op met uw medische deskundige voor vervanging als er een band is beschadigd.

F. PARKEERREM**⚠ WAARSCHUWING**

Gebruik nooit de parkeerrem om het mobiliteitsmiddel af te remmen of te stoppen wanneer het in beweging is. Om te voorkomen dat de achterwielen gaan rollen, moet u altijd de parkeerremmen volledig activeren wanneer u het kind overplaatst, of het zitsysteem wijzigt.

G. OPBERGRUIMTE ONDER DE ZITTING**⚠ WAARSCHUWING**

Dit opbergmandje is ontworpen voor het mobiliteitsmiddel om maximaal 7 kg extra gewicht te bevatten. Een hoger gewicht kan leiden tot instabiliteit en gevaarlijke omstandigheden.

H. ACCESSOIREPLATEAUS**⚠ WAARSCHUWING**

Het accessoireplateau mag niet worden gebruikt om extra gewicht op te zetten, of een apparaat dat niet voor gebruik door Sunrise Medical is goedgekeurd. Dit kan leiden tot instabiliteit en gevaarlijke omstandigheden voor de persoon in het medische hulpmiddel en de begeleider.

I. BESCHERMKAP**⚠ WAARSCHUWING**

Wanneer de beschermkap wordt gebruikt, moet worden gecontroleerd of de klemmen waarmee de beschermkap aan de basis is bevestigd, goed zijn bevestigd.

J. ZITSYSTEMEN**⚠ WAARSCHUWING**

Breng GEEN wijziging aan in het zitsysteem, of de afzonderlijke componenten van uw mobiliteitsmiddel tenzij u hebt overlegd met uw medische deskundige.

K. POSITIONERINGSGORDEL, HEUP**⚠ WAARSCHUWING**

Gebruik positioneringsgordels UITSLUITEND om het kind in een goede lichaamshouding te ondersteunen.

1. Controleer of het kind niet in het mobiliteitsmiddel naar beneden glijdt. De ondersteunende banden moeten stevig bevestigd zijn, maar niet zodanig dat de ademhaling wordt belemmerd. Het moet mogelijk zijn een open, vlakke hand tussen de band en de rolstoelgebruiker te steken.
2. Gebruik de positioneringsgordels alleen als het kind meewerkt. Verzekert u ervan dat u de gordels in een noodgeval direct kunt losmaken.
3. Gebruik positioneringsgordels nooit:
 - Als een gordel.
 - Bij een kind dat in comateuze toestand verkeert, opgewonden is, of gevoelig is voor toevallen.
 - Als gordel in een voertuig - uitsluitend die gordels die in de transit-optie zijn opgenomen met als doel het kind in het mobiliteitsmiddel op zijn of haar plaats te houden.

L. KUSSENS**⚠ WAARSCHUWING**

De zitting van dit mobiliteitsmiddel is ontworpen voor comfort en ondersteuning van de juiste houding. Overleg met uw medische adviseur als er aanpassingen aan onderdelen van het zitsysteem nodig zijn.

M. KANTELEN EN NAAR ACHTEREN KANTELEN**⚠ WAARSCHUWING**

Het evenwicht en de stabiliteit van het hulpmiddel kunnen worden beïnvloed als de verstelknoppen voor kanteling worden gebruikt zonder eerst noodzakelijke voorzorgsmaatregelen te treffen. VOORDAT u deze aanpassingen doet, moet u zich bewust zijn van het volgende:

1. Het kind moet veilig en vast in het hulpmiddel zitten.
2. U moet de voorwielen naar voren draaien en de parkeerrem activeren.
3. Controleer ALTIJD of het hulpmiddel vlak en stabiel staat voordat en nadat de kantelinstelling is aangepast.
4. Ondersteun ALTIJD de zitting wanneer de kantelknop wordt ontgrendeld.

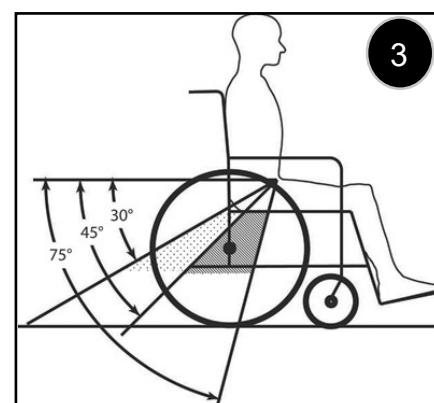
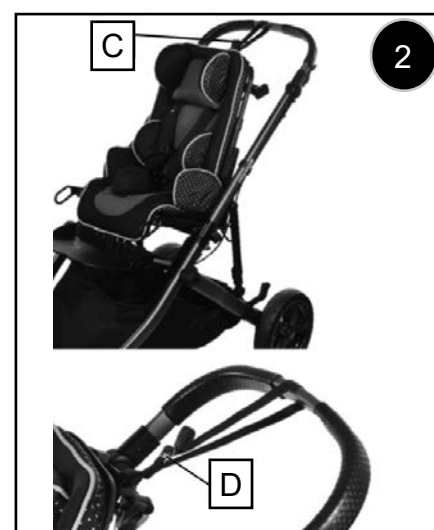
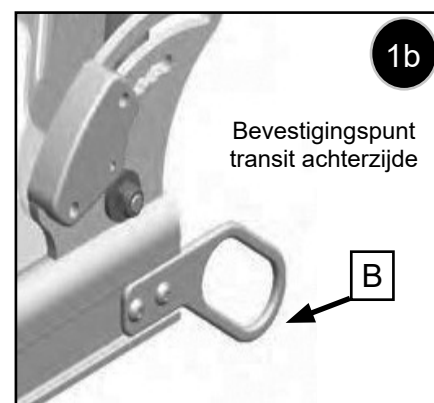
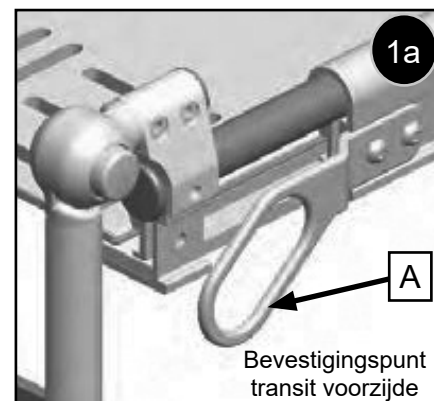
N. TRANSIT-OPTIE EN GEBRUIK Fig. 1.0 - Fig. 3.0

OPMERKING: De Zippie Voyage is onderworpen aan vervoerstesten en voldoet aan de eisen van ISO 7176-19 voor een afhankelijk kind dat minstens 22 kg en maximaal 34 kg weegt. Wanneer het hulpmiddel wordt vervoerd, moet het hulpmiddel, met daarin de gebruiker, binnen het voertuig worden vastgezet en verankerd met een 3-puntsharnas, met vervoersbanden die zijn bevestigd aan de ogen (A) aan voor- en achterzijde.

⚠ WAARSCHUWING**GEWICHT VAN GEBRUIKER MINDER DAN 22 KG**

Wanneer de gebruiker die wordt vervoerd een kind is dat minder dan 22kg weegt, en het betrokken voertuig minder dan acht (8) inzittenden heeft, wordt het aanbevolen dat het kind wordt overgeplaatst naar een kinderzitje met veiligheidsgordels dat voldoet aan de UN-ECE R44 regelgeving. Dit type gordelsysteem biedt een doelmatiger gordelsysteem dan het conventionele 3-puntsgordelsysteem. Daarbij bieden sommige kinderzitjes ook extra ondersteunende elementen waardoor de houding van het kind wanneer het zit, beter wordt ondersteund. In sommige omstandigheden kunnen de ouders of zorgverleners overwegen om het kind in de rolstoel te laten zitten tijdens transport, als de rolstoelinrichting het kind veel lichaamssteuning en comfort biedt. In dergelijke omstandigheden adviseren we een risicobeoordeling te laten uitvoeren door uw begeleider en relevante personen die over de vereiste kennis beschikken.

1. Tijdens het vervoer moet het kind in de richting van de voorzijde van het voertuig kijken.
2. Het medisch hulpmiddel moet worden vastgezet met spanbanden en voor de gebruiker dienen veiligheidsgordels te worden gebruikt (WTORS-systeem).
3. In alle situaties waar sprake is van vervoer, moet een verankeringsstelsel worden gebruikt dat is getest in overeenstemming met ISO 10542.
4. De persoon in het medische hulpmiddel moet op zijn/haar plaats worden gehouden door een 3-puntsgordel die verankerd is in het voertuig.
5. In alle transportsituaties moet u gebruikmaken van de vervoersgordel (C) die is meegeleverd met uw hulpmiddel. Het zekert de zitting aan het achterframe. Voor de veiligheid van de gebruiker is het van essentieel belang dat de band door de 2 'D-clips' (D) wordt gehaald zoals afgebeeld in (Fig. 2).
6. Op het mobiliteitsmiddel gemonteerde accessoires, zoals plateaus, ademhalingsapparatuur en accu's, moeten worden verwijderd en apart worden vastgezet. Het optionele Voyage plateau voor ademhalingsapparatuur, de zuurstofhouder en de infuushouderstang moeten ook worden verwijderd en afzonderlijk vastgezet, voordat het medische hulpmiddel als stoel in een voertuig kan worden gebruikt.
7. De persoon in het medische hulpmiddel mag niet meer dan 34 kg wegen. (34 kg).
8. De bevestigingspunten aan de voor- en achterzijde (A) (B) worden weergegeven in Fig. 1a het 1b en zijn voor alle duidelijkheid gemarkeerd met een etiket dat weergeeft dat dit een verankeringspunt is.
9. Gebruik alleen spanbanden en gordels die zijn gemonteerd in overeenstemming met de instructies van de fabrikant en de richtlijn ISO 10542. Bevestig de spanbanden aan ankerpunten (A) (B), in overeenstemming met de instructies van de fabrikant en SAE J224
10. De hoek van de heupgordel moet binnen het voorkeursgebied zijn van 45 tot 75 graden op het horizontale vlak, of binnen de optionele zone van 30 tot 45 graden op het horizontale vlak (Fig. 3)
11. De heupgordel moet laag over de voorzijde van het bekken worden bevestigd. De positioneringsgordels voor het bovenlichaam worden over de schouders aangebracht. Gordels moeten niet van het lichaam weg worden gehouden door rolstoelonderdelen. Controleer of de gordels niet gedraaid zitten.
12. Als er een achterwaartse kanteling wordt gewenst tijdens het transport, moet de zitting/leuning van de stoel in een hoek van maximaal 30° ten opzichte van de verticale lijn worden geplaatst. Als men hiervan afwijkt, loopt de gebruiker een risico in het geval van een ongeluk of botsing.
13. Bevestig alle spanbanden en gordels in overeenstemming met de instructies van de fabrikant en de richtlijn ISO 10542.
14. Verwijder de beschermkap, de grijpstang, het plateau, het plateau onder het frame, en de buggyboard voor vervoer.
15. Verwijder alle spullen die in het mandje liggen.



Kijk naar dit symbool op uw medische hulpmiddel: Het geeft aan waar de bevestigingspunten zich bevinden die voldoen aan ISO 7176-19 (2008).

A. UITVOUWEN EN OPVOUWEN VAN HET BASISFRAME

⚠ WAARSCHUWING

1. De Zippie mobiliteitsmiddelen voor afhankelijke personen zijn ontworpen met stabiliteit en prestaties in gedachten. Wanneer het wordt uitgevouwen, moet het hulpmiddel volledig open en vergrendeld zijn, om letsel bij de afhankelijke gebruiker te voorkomen.
2. Volg de instructies voor het uitvouwen nauwkeurig, en controleer dubbel of het hulpmiddel volledig is vergrendeld voordat u de zitting toevoegt en het kind in de wandelwagen plaatst.
3. Wees voorzichtig zodat uw vingers niet beklemd raken.

Uitklappen:

4 5 6

1. Maak de opbergvergrendeling (A) rond het opgevouwen frame los. De vergrendeling moet wel aan het frame bevestigd blijven voor toekomstig gebruik.
2. Trek het bovenste frame (B) omhoog totdat het op zijn plaats vastklikt. Het is misschien noodzakelijk uw voet op de onderste stang te plaatsen terwijl u het bovenste frame omhoog trekt (fig. 6).
3. Als de wielen nog niet bevestigd zijn aan het frame, kunnen deze nu worden vastgemaakt.

Opvouwen:

7 6 4

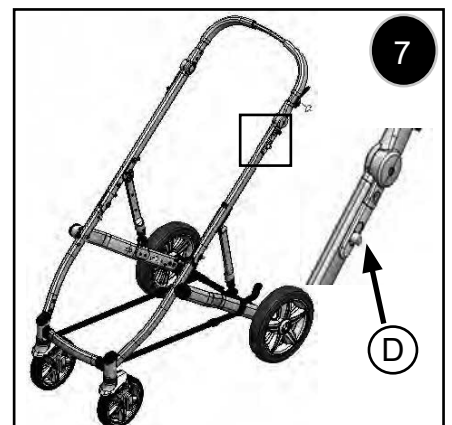
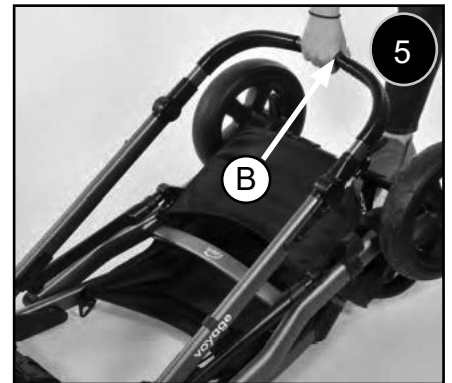
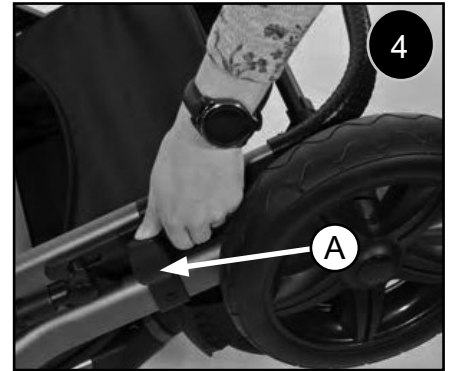
⚠ WAARSCHUWING

Het is niet de bedoeling dat de Voyage wordt opgevouwen met het zitsysteem bevestigd. Verwijder ALTIJD het zitsysteem voordat u de basis opvouwt. Wanneer dit wordt nagelaten, kan dit leiden tot schade aan het product.

1. Haal het kind van de zitting en verwijder deze (zie sub-hoofdstuk (F))
2. Ontgrendel de voorste zwenkwielen.
3. Zet de hendel weer recht zoals in fig. 7 wordt getoond.
4. Activeer de parkeerrem.
5. Trek beide stelknoppen (D) tegelijkertijd omhoog. Hierdoor wordt de framevergrendeling ontgrendeld. Blijf omhoog trekken aan de stelknoppen terwijl u het bovenste frame naar beneden duwt.
6. Duw beugel naar beneden om het vouwen van het onderstel te laten beginnen.
7. Optillen aan de middelste stang van de Slide-N-Lock (C). Fig. 6.
8. Maak de opbergvergrendeling (A) rond het bovenste deel van het frame vast, om te voorkomen dat het frame tijdens vervoer of bij het opbergen uit elkaar vouwt.

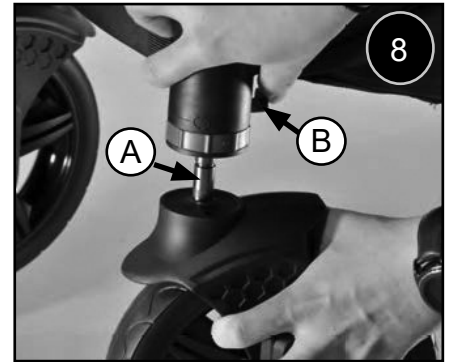
OPMERKING: Achterwielen of voorste zwenkwielen hoeven voor deze procedure niet te worden verwijderd. Ze kunnen worden verwijderd om bij het opbergen ruimte te besparen. Als u besluit om de voorwielen aan het hulpmiddel gemonteerd te laten, is het misschien niet mogelijk correct te vergrendelen, omdat de zwenkwielen en de duwhendel elkaar in de weg zitten.

In de meeste gevallen moet u de duwbeugel helemaal terugtrekken voor het opvouwen, waarna u de opbergvergrendeling gemakkelijk kunt sluiten. Gebruik geen brute kracht om het frame te openen of te sluiten als het vastzit bij het open- of dichtvouwen; hierdoor kan schade ontstaan.



B. VOORWIELEN (ZWENKWIELEN)**Het installeren en verwijderen van de zwenkwieken:** 8

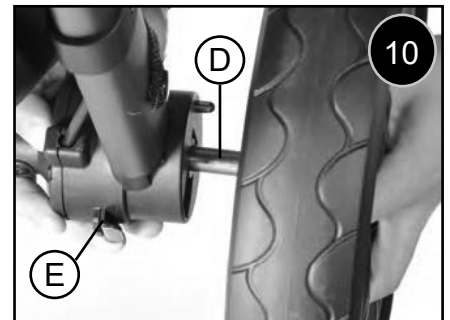
1. Voel aan de onderkant van het Voyage frame naar het gat waar de pen van het wiel in gestoken moet worden. Plaats de as (A) onder het gat en terwijl u op uitsteeksel (B) duwt, steekt u de as in het gat, totdat de pen op zijn plaats klikt. Controleer of het wiel goed aan het frame vastzit door eraan te trekken. Als u geen beweging voelt, is het wiel goed gemonteerd. Herhaal deze procedure voor het andere wiel.
2. Om het zwenkwiel te verwijderen, drukt u op (B) en trekt u het zwenkwiel uit het gat.

**Zwenkwielvergrendeling:** 9

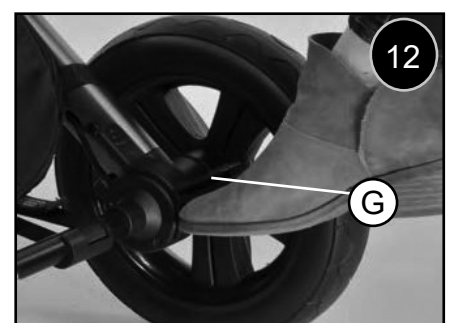
1. Met de borgring (C) kan het zwenkwiel worden vergrendeld. Draai de borgring met de klok mee totdat hij op zijn plaats klikt. Doe dit bij beide voorwiel en controleer om u ervan te verzekeren dat de vergrendeling is geactiveerd.
2. Om het zwenkwiel te ontgrendelen, draait u de borgring tegen de klok in totdat het wiel vrijelijk kan draaien.

**C. ACHTERWIELEN****Installeren en verwijderen van de achterwiel:** 10

1. Om het achterwiel te bevestigen, schuift u de wielas (D) rustig in het gat in het frame, totdat het wiel op zijn plaats klikt.
2. Om het achterwiel te verwijderen, hoeft u alleen maar op de wielknop (E) te drukken, waarna u het wiel van het frame afhaalt.

**D. DE PARKEERREM****Activeren of deactiveren van de parkeerrem:** 11 12

1. Om de parkeerrem te activeren, duwt u de rempedaal (F) rustig met uw voet naar beneden.
2. Om de parkeerrem te ontgrendelen, duwt u de verticale hendel (G) naar voren.



E. MONTEREN VAN DE ZITTING

⚠ WAARSCHUWING

Controleer VOORDAT u de zitting monteert, altijd of het mobiliteitsmiddel volledig uitgevouwen en in vergrendelde positie is. Kijk ook of alle vier de wielen vergrendeld zijn. De zitting mag nooit worden gemonteerd terwijl er iemand in de stoel zit. Vergeet nooit het mobiliteitsmiddel te stabiliseren voordat u de zitplaat monteert.

- Draai de voorste zwenkwielen tot ze naar voren gericht staan.
- Activeer de parkeerrem.

Onder de zitplaat bevindt zich een klink. De interface op de basis is het tegenstuk voor deze klink en vergrendelt hiermee. De zitting kan zo worden gemonteerd dat het kind voorwaarts of achterwaarts kijkend kan zitten. De montage is in beide richtingen hetzelfde.

Gebruik van de vergrendelingspal:

13

14

NB - De pal onder de zitplaat heeft een vergrendeling die kan worden gebruikt om extra veiligheid te bieden nadat de zitting is geïnstalleerd.

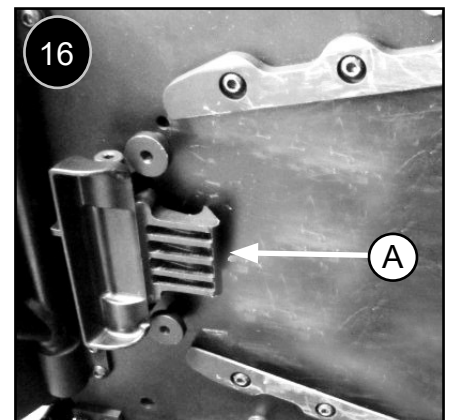
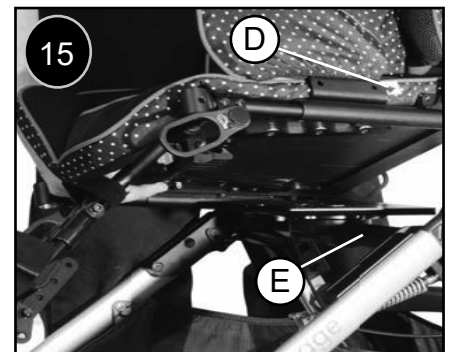
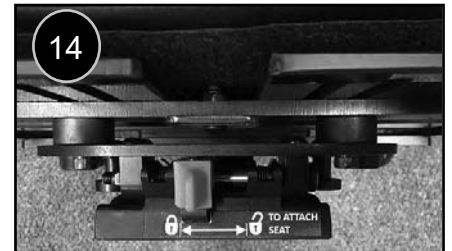
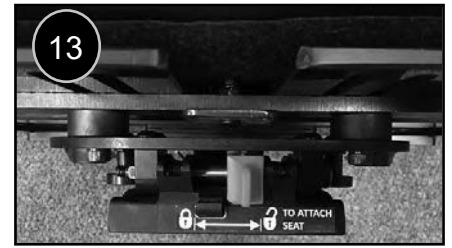
1. VOORDAT de zitting aan de basis wordt bevestigd, of hiervan wordt verwijderd, MOET de vergrendelingspal (K) naar rechts worden geschoven (niet-vergrendelde positie) zoals in afbeelding 14 wordt getoond.
2. Om onverhoedse activering van de pal te voorkomen, dient u de vergrendelingspal naar links te schuiven zoals getoond in fig. 15 NADAT de zitting volledig aan de basis is bevestigd. (De zitting kan niet aan de basis worden bevestigd terwijl de vergrendeling is geactiveerd).

Bevestigen van de zitting:

15

OPMERKING - Wanneer u het Moderate Seating-systeem achterwaarts gericht installeert, zet u de voetsteun ongeveer 5 graden omhoog, zodat de zitting vrij komt van de dwarsbalk van de wandelwagen en in de houder kan worden vergrendeld.

1. Controleer of de zitting volledig rechtop staat (niet gekanteld).
2. Controleer of er geen veiligheidsgordels en accessoires in de weg zitten als u de zitunit op het frame wilt plaatsen.
3. **Uitsluitend voor het moderate seating-systeem:** Leg het uitlijningsplaatje (D) met de ondersteunende kruisstang (E) op de basis (fig. 15).
4. Laat het geheel zakken zodat de zitting en de bevestigingsplaat met elkaar in contact komen.
5. Schuif de zitting gelijkmatig naar achteren. U moet een duidelijke klik horen. Controleer of de zitting goed aan het onderstel bevestigd is door hem aan beide kanten omhoog te trekken. Als er geen beweging of kanteling zichtbaar is, is de zitting op de juiste wijze bevestigd en zit hij vast.
6. De zitting kan nu worden gebruikt om een kind in te plaatsen voor vervoer en/of aanpassingen.



F. VERWIJDEREN VAN DE ZITTING

⚠ WAARSCHUWING

Verplaats het kind altijd naar een veilige plaats VOORDAT u de zitting verwijdert. Wanneer u dit niet doet, kan dit leiden tot persoonlijk letsel bij de persoon die in de wandelwagen zit en/of bij de verzorger. Vergeet nooit het mobiliteitsmiddel te stabiliseren voordat u de zitplaat monteert.

- Draai de voorste zwenkwielen tot ze naar voren gericht staan.
- Activeer de parkeerrem.

Verwijderen van de zitting:

16

1. Controleer of de zitting volledig rechtop staat (niet gekanteld)
2. Trek aan de ontgrendelingshendel en houd deze vast totdat hij ontkoppelt (A) uit de houder en schuif de zitting in voorwaartse richting. Til de zitting op nadat deze is ontkoppeld.
3. De zitting kan nu worden gecontroleerd en/of opgeborgen.

Draaien van de richting van de zitting: 17 17.1 18 19

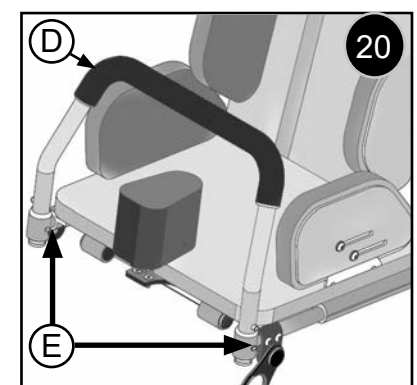
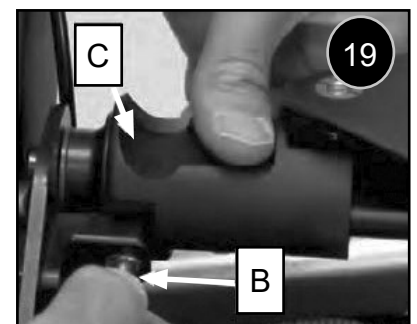
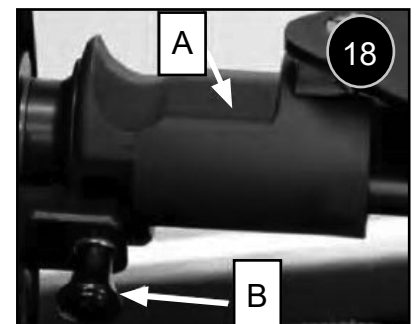
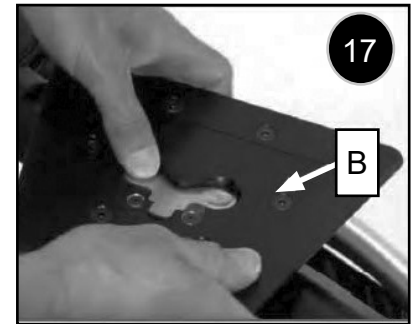
1. Vergrendel de wielen en verwijder de zitting.
2. Kijk of de kantelinstelling in de uitgangspositie ('Home') of 0° positie staat. Om de kantelinstelling in de home-positie te zetten, knijpt u in de ontgrendelingshendel van de kantelverstelling en laat u de "Slide-n-Lock" (ontvanger) plaat horizontaal komen.
3. STAP 1: Druk op de goudkleurige knop, genummerd 1 (A) op de Slide-n-Lock-plaat en draai de plaat totdat deze stopt (Fig. 17).
4. STAP 2: Trek met één hand aan de pen (B) en draai met uw andere hand de huls* (C) (waarmee de kanteling wordt beperkt) (Fig. 18 en 19).
5. -OPMERKING: Draai deze huls uitsluitend tijdens het draaien van de plaat.
6. *Wanneer de stoel voorwaarts is gericht, moet de huls achterwaarts worden gedraaid. Wanneer de stoel achterwaarts is gericht, moet de huls voorwaarts worden gedraaid.
7. STAP 3: Draai verder totdat de plaat 180° is gedraaid en op zijn plaats vergrendelt. (Fig. 17.1)

OPMERKING - Wanneer de stoel is uitgerust met een geavanceerd zitsysteem, kan het maximale achterwaartse (voorwaartse) kantelbereik beperkt zijn.

Plaatsen of verwijderen van de grijpstang: 20

Stabiliseer steeds het mobiliteitsmiddel voordat u deze actie uitvoert.

- Draai de voorste zwenkwielen tot ze naar voren gericht staan.
 - Activeer de parkeerrem.
8. Wees voorzichtig zodat u niet aan een slang trekt die de levensfuncties van het kind ondersteunt, of deze beknelt. Bij deze aanpassing kan een knelmoment ontstaan, dus wees voorzichtig en verwijder dingen of kleding die bekneld kunnen raken.
 9. De aanpassing wordt gedaan vanaf de voorkant van het hulpmiddel. Druk beide pallen (E) tegelijkertijd in en bevestig de grijpstang, of verwijder hem (D).
 10. Als u de grijpstang (D) bevestigt, duw dan de hendel ver genoeg naar binnen zodat de palletjes uit het vergrendelingsgat (E) springen.
 11. Trek de hendel omhoog om te controleren of hij is vergrendeld.
 12. De grijpstang kan ook worden omgekeerd, als dat de voorkeur geniet.

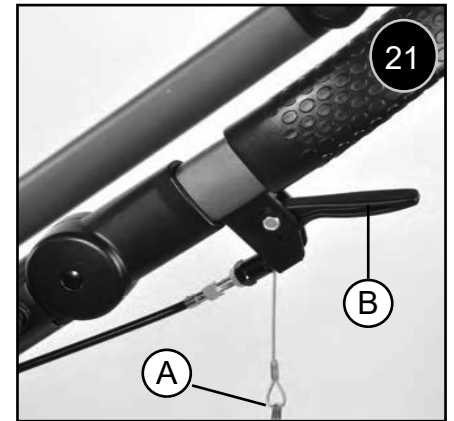
**G. AANPASSING KANTELMECHANISME****⚠ WAARSCHUWING**

Controleer VOORDAT u de kantelverstelling gebruikt, altijd of het mobiliteitsmiddel volledig uitgevouwen en in vergrendelde positie is. Kijk ook of alle vier de wielen vergrendeld zijn. Wees voorzichtig zodat u niet aan een slang trekt die de levensfuncties van het kind ondersteunt, of deze beknelt. Vergeet nooit het mobiliteitsmiddel te stabiliseren voordat u de zitplaat monteert.

- Draai de voorste zwenkwielen tot ze naar voren gericht staan.
- Activeer de parkeerrem.

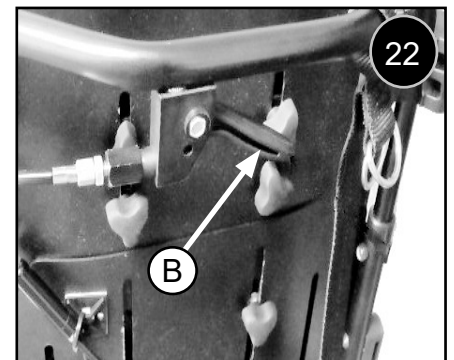
Aanpassing kanteling: 21

1. Verwijder de borgpen om de kanteling mogelijk te maken. Pak de kantelhendel (A) aan de linkerkant van het frame en knijp erin. Trek vervolgens de bovenzijde van de zitting naar achteren totdat de gewenste kanteling is bereikt. De rugleuning en de onderdelen van de zitting, inclusief de voetsteun, moeten tegelijkertijd bewegen.
2. Laat de hendel los en trek voorzichtig aan de zitting om te controleren of hij in de nieuwe positie is vergrendeld.
3. Deze aanpassing kan van invloed zijn op het evenwichtspunt van het hulpmiddel, dus het is belangrijk om te controleren of de nieuwe instelling niet leidt tot een risico op kantelen.

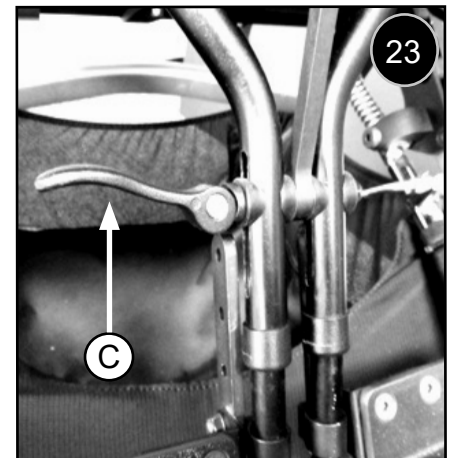
**H. AANPASSING ACHTERWAARTSE KANTELING****⚠ WAARSCHUWING**

Controleer VOORDAT u de kantelverstelling gebruikt, altijd of het mobiliteitsmiddel volledig uitgevouwen en in vergrendelde positie is. Kijk ook of alle vier de wielen vergrendeld zijn. Wees voorzichtig zodat u niet aan een slang trekt die de levensfuncties van het kind ondersteunt, of deze beknelt. Vergeet nooit het mobiliteitsmiddel te stabiliseren voordat u de zitplaat monteert.

- Draai de voorste zwenkwielen tot ze naar voren gericht staan.
- Activeer de parkeerrem.
- Als de wandelwagen is toegerust met een schouderharnas, maak dan de banden hiervan los zodat er gekanteld kan worden.

**Aanpassing achterwaartse kanteling:** 22

1. Verwijder de borgpen uit de kantelhendel. Pak, terwijl u achter het mobiliteitsmiddel staat, de kantelhendel (B) vast. Knijp in de hendel en trek aan de rugleuning. (De rugleuning moet onafhankelijk van de zitting en voetsteun kantelen). Wanneer de gewenste hoek is bereikt, laat u de hendel los en trekt voorzichtig aan de zitting om te controleren of hij in de nieuwe positie is vergrendeld.
2. Deze aanpassing kan van invloed zijn op het evenwichtspunt van het hulpmiddel, dus het is belangrijk om te controleren of de nieuwe instelling niet leidt tot een risico op kantelen.
3. Als de wandelwagen is toegerust met een schouderharnas, pas dan de banden hiervan aan zodat het harnas weer goed past.

**I. AANPASSING KNIEHOEK****⚠ WAARSCHUWING**

Stabiliseer steeds het mobiliteitsmiddel voordat u deze actie uitvoert.

- Draai de voorste zwenkwielen tot ze naar voren gericht staan.
- Activeer de parkeerrem.

Aanpassing hoek knie: 23

1. Wees voorzichtig zodat u niet aan een slang trekt die de levensfuncties van het kind ondersteunt, of deze beknelt. Bij deze aanpassing kan een knelmoment ontstaan, dus wees voorzichtig en verwijder dingen of kleding die bekneld kunnen raken.
2. Ontkoppel de quick-release-hendel (C) en pas de hoek van de knie aan naar de gewenste hoek.
3. Til de quick-release-hendel na iedere aanpassing op om hem goed te vergrendelen.

J. TRAPDOP

De trapbuis wordt gebruikt door begeleiders om de stoel over obstakels te duwen. Trap gewoon op de buis om een rolstoel bijvoorbeeld over een stoep of een trede te duwen.

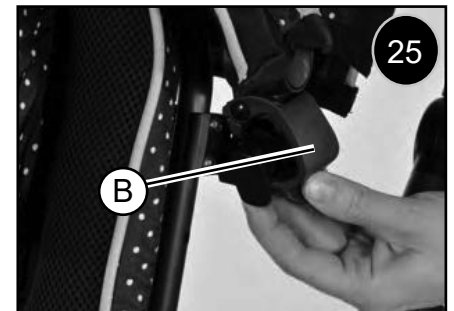
K. BEVESTIGEN EN AANPASSEN VAN DE BESCHERMKAP**⚠ WAARSCHUWING**

Het is altijd het beste om het kind niet in het mobiliteitsmiddel te laten zitten tijdens het bevestigen van accessoires.

Bevestigen van de beschermkap:

24 25

1. Ga achter het mobiliteitsmiddel staan en bevestig de beschermkap aan de beugels van de zitting (A).
2. Controleer visueel of de beschermkap correct is geïnstalleerd en controleer door de beschermkap heen en weer te halen of hij goed vast zit en juist bevestigd is. Voor veilig gebruik moeten de plastic lippen (B) op hun plaats vergrendeld zijn.

**Aanpassing van de huif:**

26

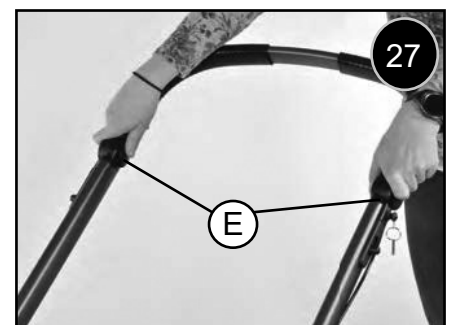
1. Na bevestiging kunt u de hoek van de beschermkap aanpassen door deze naar voren of achteren te duwen, totdat de gewenste bescherming is bereikt.
2. Ook kunt u de balkopbouten (C) losdraaien en de beugels van de beschermkap (D) draaien, om het kind in de wagen meer of minder bescherming te bieden. Let erop dat u beide zijdes even veel verstelt wanneer u de draaibeugels van de beschermkap verstelt.
3. Til de voorkant van de beschermkap helemaal op om het kind meer licht te geven en te kunnen bereiken.
4. Wanneer de beschermkap wordt gebruikt in combinatie met de aanpassingen van de kantelverstellingen, is het misschien nodig de beschermkap meer naar voren of meer naar achteren te plaatsen, om beter bij de duwbeugel te kunnen komen.

**L. UITTREKKEN VAN DE DUWBEUGEL VAN DE WANDELWAGEN****Om de duwbeugel te verstellen:**

27

Voor groter comfort tijdens het duwen kan de hoogte van de duwbeugel versteld worden.

1. De aanpassing wordt gedaan vanaf de achterkant van het hulpmiddel. Duw tegelijkertijd op de knoppen (E) en verstel naar de gewenste hoek.
2. Laat de knoppen los en laat de duwbeugel op zijn plaats vergrendelen.



A. AANPASSINGEN VOOR POSITIONERING EN GROEI

⚠ WAARSCHUWING

Als aanpassingen noodzakelijk zijn, vanwege groei of een andere positionering, moet een arts of therapeut worden geraadpleegd voordat er iets wordt gewijzigd. Deze aanpassingen zijn van groot belang voor de orthopedische en neurologische behoeften van het kind. De veranderingen moeten fysiologisch en medisch passend zijn en hier moet veel zorg aan worden besteed. Sunrise Medical adviseert aanpassingen voor positionering of groei te laten uitvoeren door uw dealer. Aanpassingen mogen niet worden uitgevoerd terwijl het kind in het mobiliteitsmiddel zit.

Vereiste draaikracht (torque):

De instelling van de vereiste draaikracht is de optimale draaikracht die op een bepaalde bevestiging moet worden uitgevoerd. Het is belangrijk om, wanneer dit wordt gespecificeerd, de juiste draaikracht te gebruiken. Wanneer er niets is gespecificeerd, is de draaikracht: M5 bevestigingen = 44 in-lbs (5 Nm), M6 bevestigingen = 62 in-lbs (7 Nm), M8 bevestigingen = 88 in-lbs (10 Nm). Voor alle overige bevestigingen is de draaikracht 60 in-lbs (6,8 Nm).

Benodigde gereedschappen:

28

1. Imperiale inbussleutelset
2. Metrische inbussleutelset
3. Imperiale steeksleutelset
4. Metrische steeksleutelset
5. Momentsleutel
6. Imperiale bitdoppenset
7. Metrische bitdoppenset
8. Kruiskop- en platte schroevendraaiers

OPMERKING: De momentsleutel moet in inch-ponden kunnen meten. U kunt in iedere plaatselijke gereedschapswinkel een momentsleutel kopen met de juiste metrische koppelingen.

In het algemeen moeten positionerings- en groeiaanpassingen in de onderstaande volgorde worden uitgevoerd:

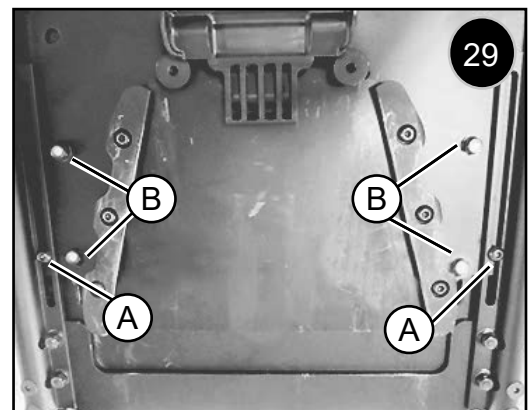
1. Aanpassen zitgedeelte
2. Aanpassen gedeelte rugleuning
3. Aanpassen positioneringsgordel, heup
4. Aanpassen voetsteun
5. Aanpassen hoofdsteun(en)
6. Doe andere standaard en optionele aanpassingen die nodig zijn.
7. Controleer of alle stelschroeven zijn aangedraaid volgens de specificaties

B. AANPASSING COMFORT ZITTING

Aanpassing diepte Comfort zitting: 29

OPMERKING: Zitplaat van onderaf gezien.

1. Verwijder het kussen van de zitting. Dit is met Velcro® klittenband bevestigd.
2. Draai de schroeven (A) aan beide zijden los, maar verwijder ze niet.
3. Draai vier bouten (B) los; voor bepaalde aanpassingen moeten beugels worden verwijderd.
4. Pas de zitdiepte aan door de voorste zitschaal naar voren of achteren te schuiven.
5. Maak het bevestigingsmateriaal weer vast (A) & (B) tot (75-85 in-lbs / 8,5-9,5 Nm).
6. Plaats het zitkussen terug op de zitting.

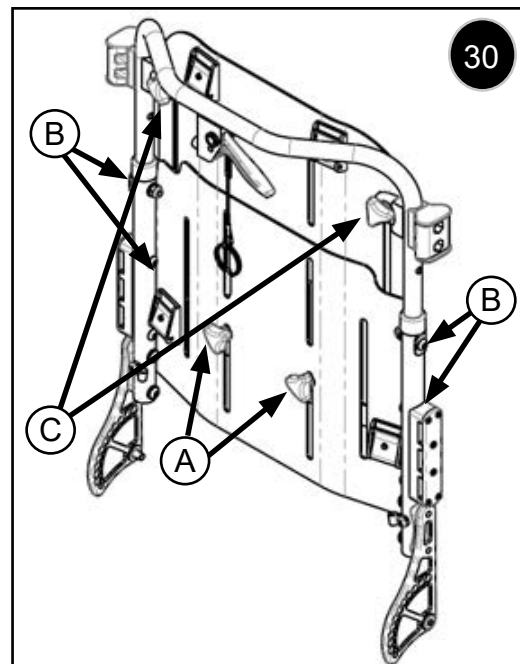


⚠ WAARSCHUWING

- Haal, met het oog op de veiligheid, het kind uit het mobiliteitsmiddel, voordat de aanpassingen worden uitgevoerd. Dit werkt ook gemakkelijker.
- Stabiliseer steeds het mobiliteitsmiddel voordat u deze actie uitvoert.
- De aanpassing van de hoogte van de rugleuning kan het totale zwaartekrachtspunt veranderen. Controleer of het mobiliteitsmiddel stabiel staat en door de nieuwe instellingen niet kantelt.

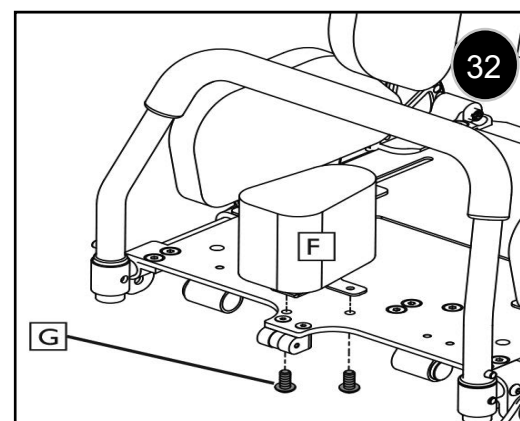
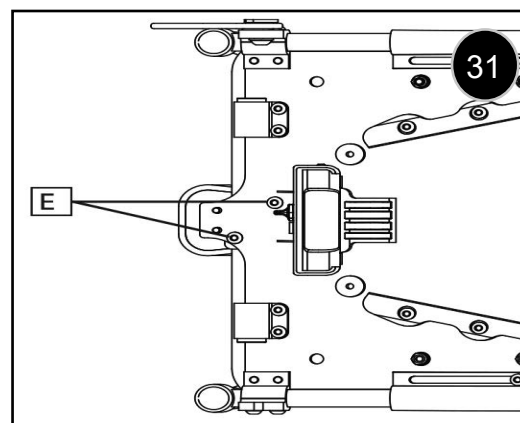
Aanpassing hoogte Comfort rugleuning: 30

1. Draai de voorste zwenkwielen tot ze naar voren gericht staan.
2. Activeer de parkeerrem.
3. Verwijder het rugkussen.
4. Voor een snelle aanpassing, 100 mm (4") draait u de vier knoppen (A) en (C) op de rugleuning los. Eventueel kunt u de knoppen ook verwijderen.
5. Als er laterale ondersteuningselementen aanwezig zijn, draait u de bevestigingsknoppen hiervan ook los.
6. Pas de hoogte aan door de bovenste rugleuning omhoog of omlaag te schuiven.
7. Draai de knoppen (A) en (C) weer aan.
8. Voor extra hoogte (meer dan 100 mm), aanpassingen die verder gaan dan de aanwezige gleuven, verwijdert u de schroeven op de rugbuizen (B) aan beide zijden, en draait u de twee onderste knoppen (A) los.
9. Als er laterale ondersteuningselementen aanwezig zijn, draait u de bevestigingsknoppen hiervan ook los of u verwijdert ze, of u verwijdert de ondersteuningselementen helemaal.
10. Schuif het rugdeel van de zitting en duwbeugel naar boven of beneden naar het volgende gat. De tussenruimte is 76mm (3").
11. Maak het bevestigingsmateriaal weer vast (A) & (B):
12. Plaats het rugkussen terug.



Bevestiging van Comfort positioneringssteun: 31 32

1. Plaats de voetsteun omhoog, horizontaal, parallel aan de vloer.
2. Zoek de twee gaten (E) in de zitschaal, aan beide kanten van de voetsteunstang.
3. Het zitkussen moet bevestigd zijn.
4. Schuif de metalen beugel door de sleuf in het kussen en plaats de gaten in de beugel op één lijn met de gaten in de zitschaal.
5. Bevestig de wig (F) met schroeven (G) aan de zitschaal.



C. AANPASSING HOOGTE SCHOUDERBAND:

1. Draai de handwielen aan beide zijdes van de rugplaat los, maar verwijder ze niet.
2. Pas de schoudergordel aan op de juiste hoogte.
3. Draai alle handwielen weer aan (maar niet te strak) en pas de schoudergordels weer aan zodat ze comfortabel zitten.

D. AANPASSINGEN VOETSTEUN:

33

34

Aanpassing hoogte:

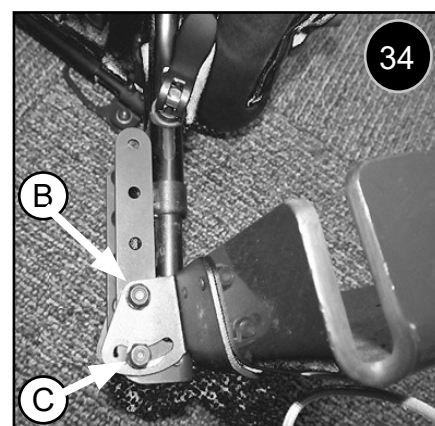
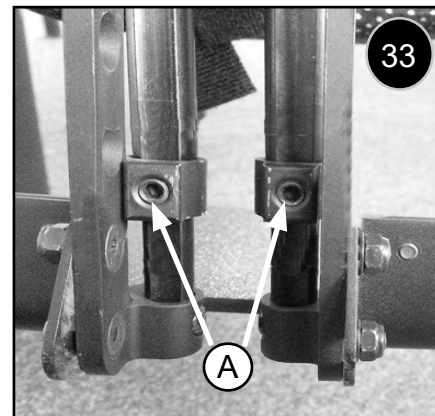
De hoogte van de voetsteun wordt aangepast d.m.v. één uitschuifbare stang, waarmee de hoogte vergrendeld kan worden.

1. Kijk op de achterzijde van de hanger van de voetsteun waar de stelschroeven (A) zitten.
2. Maak eerst de bovenste schroeven aan beide zijden van de voetsteunhanger los.
3. Schuif de voetsteun omhoog of omlaag naar de juiste hoogte.
4. Draai de bovenste schroef weer aan tot 1,7 Nm - 2,26 Nm, (15 - 20 in-lbs.) Draai niet te strak aan.
5. Herhaal deze procedure met een lagere schroef als er meer bereik nodig is.

OPMERKING: De voetsteun wordt omgekeerd weergegeven voor de kortst mogelijke beenlengte. De voetsteun kan op twee manieren worden bevestigd door de voetsteun omhoog te klappen voor meer hoogte, of een zekerder plaatsing van de voet.

Aanpassing hoek

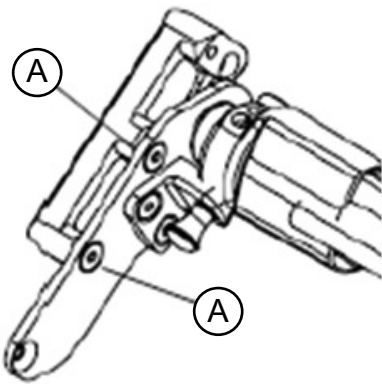


1. De voetsteun heeft twee schroeven (B) en (C) waarmee de draai van de voetsteun wordt afgesteld. Draai beide schroeven aan iedere kant van de voetsteun los, zoals weergegeven in afbeelding 30.
2. Stel de juiste hoek in voor de voetsteun.
3. Draai de stelschroeven vast tot 4,5 Nm - 5,1 Nm, (40 - 45 in-lbs) om de juiste hoek voor de voetsteun te behouden. (Draai de bevestigingsmaterialen niet te strak tegen de plastic onderdelen).

**E. AANPASSING HOOGTE ZITTING** Tabel 1

De Voyage Wandelwagen heeft drie hoogteposities (grond tot zitting):
Laag: 590 mm (23"), Med: 625 mm (24,5"), en Hoog: 660 mm (26") Zie tabel 1.0

Aanpassing hoogte zitting:

1. Verwijder alle vier de schroeven (A), twee aan beide zijden van de wandelwagen.
2. Plaats de dwarsstang van de kantelfunctie op de gewenste hoogte.
3. Plaats de vier schroeven terug in de juiste positie, zoals aangegeven in de afbeeldingen aan de rechterkant.
4. Draai de schroeven weer aan tot 75-85 in-lbs (8,5-9,5 Nm).

LAAG: 590 MM (23")	MED: 625 MM (24,5")	HOOG: 660 MM (26")
		

Tabel 1

F. AANPASSINGEN POSITIONERINGSGORDEL, HEUP: 35**Lengteaanpassing:**

1. Zorg dat de gordels niet gedraaid zijn en plaats ze aan de buitenkant van de zitting.
2. Activeer de wielvergrendeling, zet het kind in de wagen, en maak de heupgordel vast.
3. Pas de lengte van de gordel zodanig aan dat deze strak maar comfortabel zit.
4. Ga aan de linkerkant van het kind staan om deze aanpassing te doen (D-Fig. 35).

Instelling positie:

De gordel kan aan de draaibeugel aan de achterzijde worden bevestigd, of aan de heupbeugel als de gordel meer naar voren geplaatst moet worden.

⚠ WAARSCHUWING

- Controleer voordat u de stoel gebruikt of de heupgordel is aangebracht.
- De heupgordel moet dagelijks worden gecontroleerd op slijtage. Tevens moet worden gecontroleerd of de gordel nergens gehinderd wordt.
- Controleer voor gebruik altijd of de heupgordel op de juiste wijze is bevestigd en aangepast.

⚠ GEVAAR

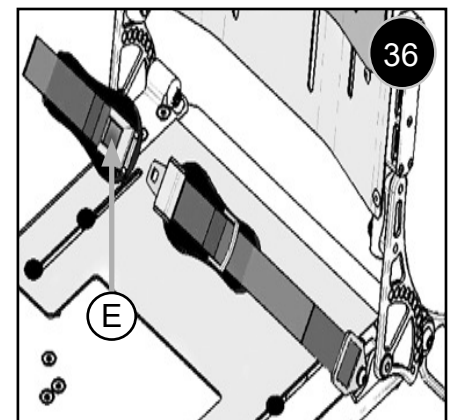
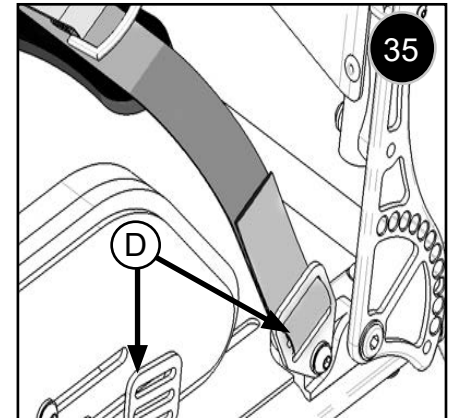
Als de gordel te los zit, kan de rolstoelgebruiker naar beneden glijden en bestaat het gevaar op verstikking of ernstig letsel.

Pas de heupgordel als volgt aan de behoeften van de gebruiker aan: 36 36b

- Activeer de wielvergrendeling, zet het kind in de wagen, en maak de heupgordel vast.
- Pas de gordel zodanig aan dat de sluiting zich in het midden van de stoel bevindt.
- Haal vervolgens het niet-gebruikte deel van de gordel door de gesp en geleiders.
- Controleer of de gordel niet om de sluiting is gedraaid.
- Om de gordel langer te maken, haalt u het niet-gebruikte deel van de gordel door de geleiders en gesp.
- Controleer, nadat de gordel is vastgemaakt, de ruimte tussen de gordel en het kind.
- Wanneer de gordel goed is aangepast, kunt u niet meer dan een vlakke hand tussen het lichaam en de gordel steken wanneer de gordel is omgedaan.

De heupgordel moet zodanig bevestigd worden dat hij in een hoek van 45 graden over het bekken van de gebruiker valt.

Bij het op maat maken dient de gebruiker rechtop en zo ver mogelijk naar achteren te zitten. De heupgordel moet voorkomen dat de gebruiker uit de rolstoel glijdt.



Om de sluiting te sluiten:

Steek de tanden van de gesp in de sluiting.

Om de sluiting los te maken:

Drukt u op de RODE knop "E" in het midden van de sluiting en trekt u de sluiting rustig uit elkaar.

OPMERKING: Neem contact op met uw dealer wanneer u vragen hebt over de heupgordel of stel uw vraag aan uw verzorger of begeleider.

Als u later een heupgordel wilt kopen, neem dan contact op met uw dealer.

⚠ WAARSCHUWING

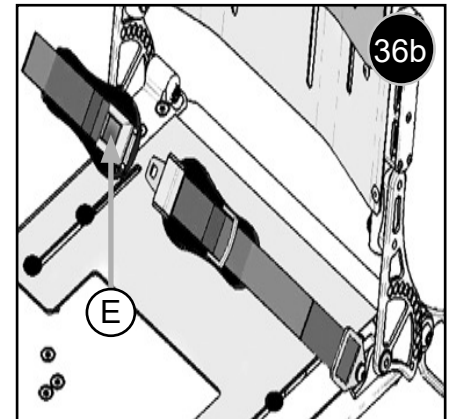
- De heupgordel mag uitsluitend door een door Sunrise Medical erkende dealer/verkoper worden aangebracht of aangepast.
- De heupgordel moet dagelijks worden gecontroleerd om te garanderen dat hij op de juiste wijze is aangebracht, niet is beschadigd en niet wordt gehinderd.
- Sunrise Medical staat het vervoer van een persoon in een voertuig met de heupgordel als veiligheidsgordel niet toe.

Onderhoud:

- Controleer de heupgordel en de onderdelen waarmee deze is bevestigd, regelmatig op slijtage. Afhankelijk van het gebruik zal de heupgordel slijten en moet hij worden vervangen.
- Als u later een gordel wilt bevestigen, neem dan contact op met uw rolstoeldealer.

⚠ WAARSCHUWING

De heupgordel moet naar wens van de gebruiker worden aangepast, zoals hierboven wordt getoond. Sunrise Medical adviseert tevens dat de lengte en 'pasvorm' geregeld worden gecontroleerd om te voorkomen dat de rolstoelgebruiker de gordel ongewild heeft aangepast en te lang heeft gemaakt.



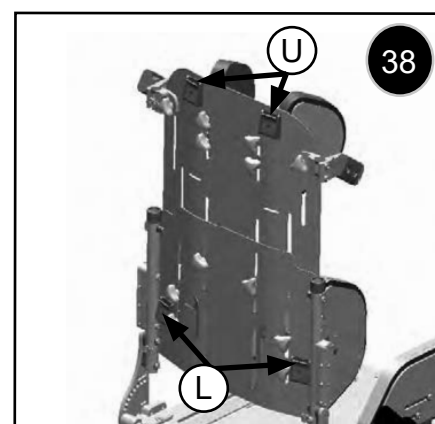
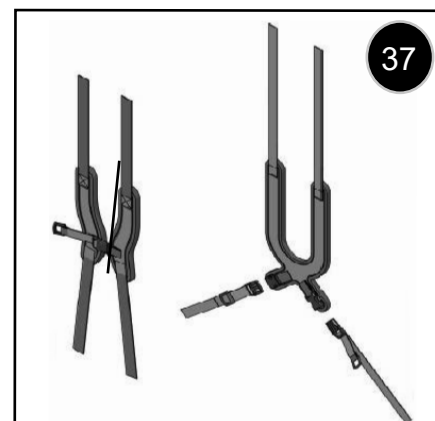
G. KRUISGORDEL VOOR ROMPONDERSTEUNING

⚠ WAARSCHUWING

- Om ernstig letsel of problemen met eten of ademen te voorkomen, moet de heupgordel in combinatie met een rompondersteuning worden gebruikt. Controleer alle aanpassingen twee maal, om te verzekeren dat de luchtwegen niet worden gehinderd of andere, ongewenste beklemmingen plaatsvinden. Gebruik de rompondersteuning niet zonder de heupgordel.
- Sunrise Medical staat het vervoer van een persoon in een voertuig met de rompgordel als veiligheidsgordel niet toe.

Aanpassing van het harnas: 37 38

1. Plaats het kind in het zitsysteem en maak de heupgordel vast.
2. Plaats het bekken van het kind in de juiste positie en maak de gordel strakker in de juiste positie.
3. Ontgrendel de twee onderste sluitnokken (L) en de twee bovenste sluitnokken (U).
4. Pas eerst de lagere banden van het harnas aan, zodat het harnas niet langs het kinderlichaam omhoog kruipt. Vergrendel vervolgens de onderste sluitnokken (L).
5. Maak hierna de bovenste banden vast en let erop dat er genoeg ruimte rond de hals van het kind is om gemakkelijk te kunnen ademen en te eten. Vergrendel vervolgens de bovenste sluitnokken (U).



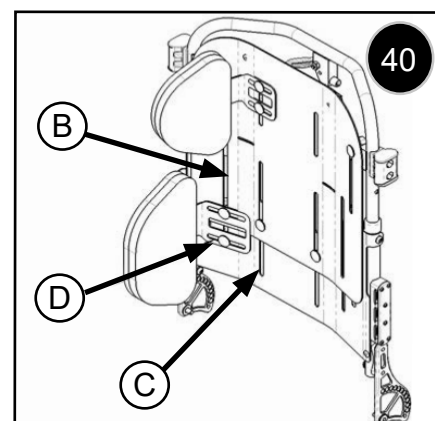
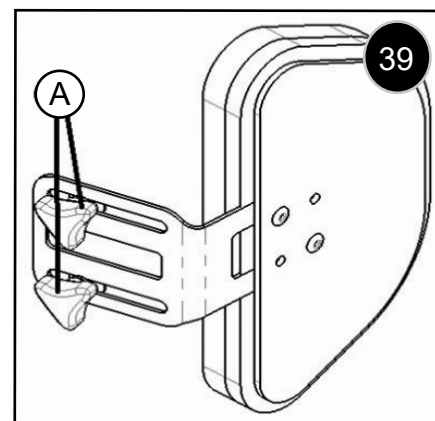
H. LATERALE ROMPONDERSTEUNING EN HOOFDSTEUNEN (OPTIONEEL)

Hoogte- en breedteaanpassingen voor de laterale ondersteuning en hoofdsteunen:

39 40

OPMERKING: De volgende aanpassingen kunnen worden uitgevoerd terwijl het kind in het zitsysteem zit.

1. Maak de twee knoppen (A) aan de achterzijde van de rugplaat los, of verwijder ze helemaal, zodat de laterale ondersteuning aangepast kunnen worden.
2. Gebruik de gleuven in de rugplaat (buitenste 'B', of binnenste 'C') voor aanpassing van de hoogte. Schuif de laterale ondersteuning omhoog of omlaag naar de juiste positie en draai de knoppen weer aan.
3. Gebruik de laterale beugelgleuven 'D' voor aanpassing van de breedte, of ga van de buitenste naar de binnenste gleuven in de rugplaat. Pas de laterale ondersteuning aan qua breedte zodat het totale laterale ondersteuningssysteem de juiste instelling heeft en draai de knoppen weer aan.



I. ONDERSTEUNING VOORZIJDDE

Overleg altijd met uw medisch adviseur als u besluit om een stabilisatiesysteem voor het bovenlichaam te gebruiken.

Sommige kinderen hebben vanwege hun handicap of fysieke conditie wellicht een stabilisatiegordel voor het bovenlichaam nodig om hen te helpen de juiste houding of lichaamspositie te behouden. Hierbij kunt u denken aan hoofdbanden, schouderbanden, banden over de torso, ondersteuning bij het bekken, en andere gordels.

⚠ WAARSCHUWING

Risico op letsel door hoofdsteunen en hoe dit te voorkomen.

Overmatig bewegen of verplaatsing van het bekken - Hierdoor kan het ondersteuningssysteem uit positie raken. Als dit gebeurt, kan dit leiden tot ernstig letsel bij het kind.

Om deze risico's te vermijden adviseren we:

1. Het is van ESSENTIEEL belang dat de heuppositie van het kind stabiel wordt gehouden
2. Een stabilisatiesysteem voor het bovenlichaam mag uitsluitend worden gebruikt met zit-, rug- en heupondersteuning of -gordels, waardoor het kind niet in de stoel naar beneden glijdt.
3. Een stabilisatiesysteem voor het bovenlichaam moet worden aangebracht door uw erkende leverancier en uw arts of therapeut.
4. Nadat een dergelijk stabilisatiesysteem is aangebracht, mag dit UITSLUITEND worden geplaatst en aangepast door hiertoe opgeleid medisch personeel.
5. Laat het kind NOOIT zonder toezicht wanneer gebruikgemaakt wordt van een stabilisatiesysteem voor het bovenlichaam.

J. HEUPONDERSTEUNING (OPTIONEEL): 41

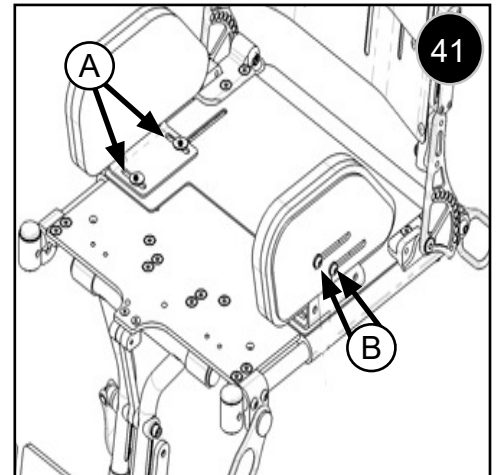
Breedte-instelling, (A):

1. Bepaal voor ieder heupkussen de juiste plaats.
2. Verwijder het zitkussen zodat de schroeven voor de heupkussens zichtbaar worden.
3. Draai twee stelschroeven voor ieder heupkussen voldoende los om aanpassing mogelijk te maken.
4. Plaats de heupkussens in de gewenste positie.
5. Draai de stelschroeven aan en plaats het zitkussen terug.

Voorwaartse/Achterwaartse aanpassing, (B):

1. Bepaal voor ieder heupkussen de juiste plaats.
2. Verwijder het kussen van de heupondersteuning zodat de stelschroeven voor de heupkussens zichtbaar worden.
3. Draai twee stelschroeven voor ieder heupkussen voldoende los om aanpassing mogelijk te maken.
4. Plaats de heupkussens in de gewenste positie.
5. Draai de stelschroeven aan en plaats de hoes van de heupondersteuning terug.

OPMERKING: Voor heupbreedtes breder dan 254 mm moet het bevestigingsmateriaal van de heupkussens worden verwijderd. Om een heupbreedte van 280 mm mogelijk te maken, wordt het schuimheupkussen onder de stof op het draaipunt van de rugleuning bevestigd.

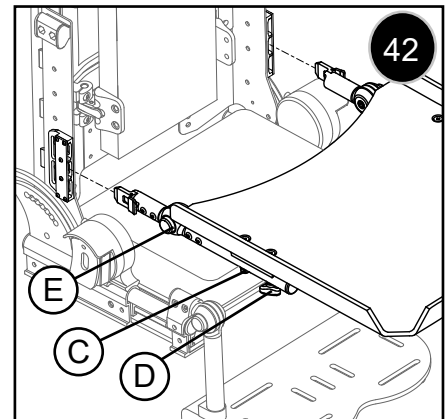


K. BEVESTIGEN EN AANPASSEN VAN HET PLATEAU: 42

1. Plaats het plateau op de plateaugeleiders, pas de diepte aan, en klik vast.
2. Controleer of de bout (C) net los genoeg is gedraaid om het plateau te kunnen aanpassen.
3. Knop (D) wordt losgedraaid om de diepte van het plateau aan te passen en aan beide zijden vastgedraaid om de aanpassing te behouden.
4. De hoek van het plateau wordt aangepast door beide knoppen (E) op de geleiders in te drukken en het plateau in de gewenste hoek te zetten. Het plateau moet vastklikken voor de juiste vergrendeling.

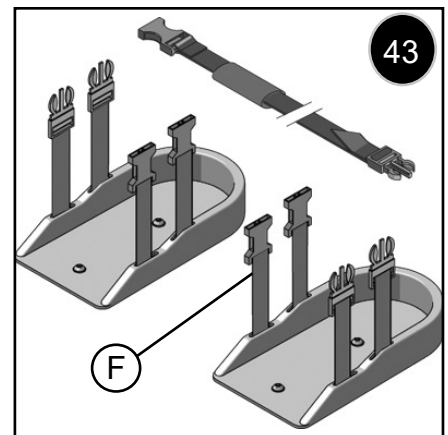
⚠ WAARSCHUWING

Het gebruik van een heupgordel is essentieel voor de veiligheid van het kind wanneer omwille van therapeutische positionering voetbanden of schoenhouders gebruikt moeten worden.

**L. AANPASSING VOETBAND (OPTIONEEL):**

OPMERKING: Optionele voetbanden zijn uitsluitend bedoeld voor therapeutische positionering.

1. Activeer de wielvergrendeling en zet het kind in de stoel.
2. Maak de twee voetbanden los (F).
3. Plaats de voet van het kind in de goede positie en maak de voetband vast.
4. Trek de banden voldoende strak om de therapeutische positie te behouden, maar laat de banden zo los mogelijk.

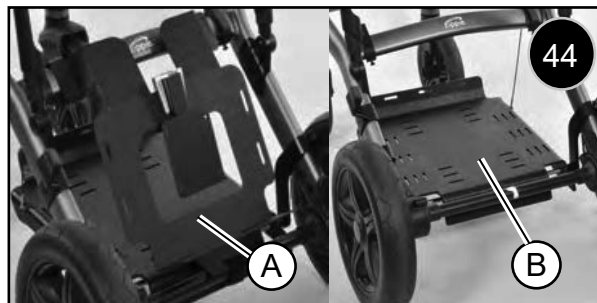
**M. AANPASSING BAND SCHOENHOUDER (OPTIONEEL):** 43

OPMERKING: Schoenhouders zijn uitsluitend bestemd voor therapeutische positionering.

1. Activeer de wielvergrendeling en zet het kind in het medische hulpmiddel.
2. Maak de banden van de schoenhouders los (F).
3. Bij gebruik van de schoenhouder moet het kind schoenen dragen. Plaats de voet van het kind in de goede positie en maak de twee banden van de schoenhouder vast.
4. Trek de banden voldoende strak om de therapeutische positie te behouden, maar laat de banden zo los mogelijk.

**N. PLATEAUS VOOR BEADEMINGSAPPARATUUR/
ACCU'S (OPTIONEEL):** 44

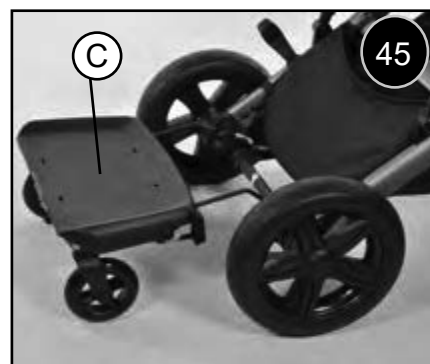
1. Er zijn twee soorten plateaus voor beademingsapparatuur. Een houder aan de achterkant (A) met een maximale belasting van 6,8 kg, en een plateau voor beademingsapparatuur aan de onderkant van het frame (B), met een maximale belasting van 22,7 kg.
2. Deze plateaus zijn gemakkelijk aan het basisframe van de Voyage te bevestigen.
3. Bij deze optie worden bevestigingsbanden meegeleverd om apparatuur vast te maken.
4. De Catch-all (I) wordt meegeleverd en kan naar voren worden gevouwen zodat hij minder ruimte inneemt bij het opbergen.

**O. EXTRA PLATFORM VOOR- OF ACHTERZIJDE (OPTIONEEL):**

45

46

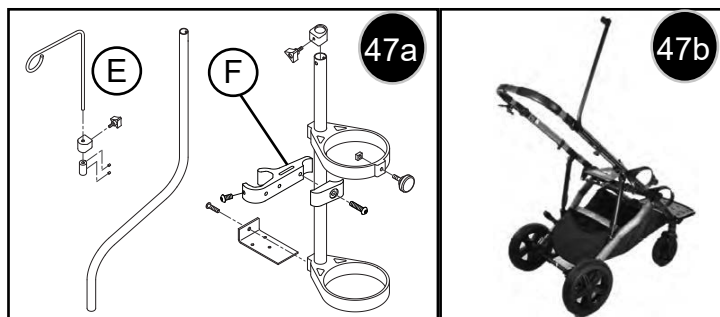
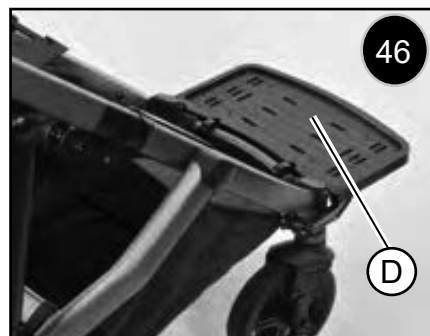
1. Het platform aan de achterzijde (C) kan worden gebruikt voor een beademingsapparaat of andere apparatuur die eventueel nodig is.
2. Het aan de voorzijde gemonteerde platform (D) heeft een maximale belasting van 22,7 kg.
3. Bij deze optie worden bevestigingsbanden meegeleverd om apparatuur vast te maken.

**P. INFUUSHOUDERSTANG / ZUURSTOFTANKHOUDER (OPTIONEEL):**

47a

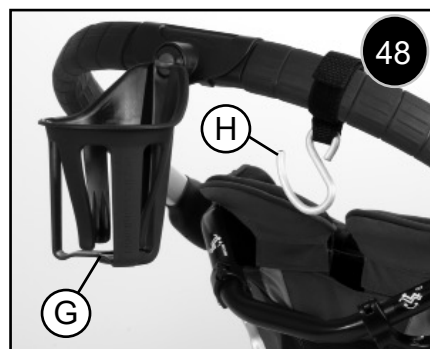
47b

1. De infuushouderstang (E) en zuurstoftankhouder (F) zijn beide volledig verstelbaar en kunnen rechtstreeks op het frame van de Voyage worden bevestigd door middel van het bevestigingsmateriaal dat in Fig. 47a wordt weergegeven.
2. De plaats van de klem wordt weergegeven in (Fig. 47b).

**Q. KOPHOUDER, MULTIFUNCTIONELE HAAK (OPTIONEEL):**

48

1. De kophouder (G) is gemakkelijk te bevestigen en te vergrendelen.
2. De multifunctionele haak (H) wordt met Velcro® klittenband bevestigd en wordt vaak gebruikt om zuurstofslangen te geleiden. Hij kan echter ook worden gebruikt om lichte voorwerpen aan te hangen.



A. OPMERKINGEN

1. Het juiste onderhoud verbetert de prestaties en verlengt de levensduur van uw mobiliteitsmiddel.
2. Maak het product regelmatig schoon. Wanneer u het product regelmatig schoonmaakt, ontdekt u eerder los zittende of versleten onderdelen en bevordert u een soepele werking van het mobiliteitsmiddel.
3. Laat uw leverancier al het grote onderhoudswerk en reparaties uitvoeren, zo wordt uw investering optimaal beschermd.
4. Controleer minstens iedere vier maanden of alle schroeven en knoppen voldoende zijn aangedraaid. Wanneer er onderdelen ontbreken, of een los of kapot onderdeel wordt aangetroffen, gebruik het product dan niet totdat reparaties zijn uitgevoerd met door de fabriek erkende onderdelen.
5. Maak alle plastic onderdelen regelmatig schoon met water en een mild schoonmaakmiddel.
6. Was, wanneer dit nodig is, de stoffen onderdelen op de hand en droog ze aan de lucht.
7. Smeer alle bewegende metalen onderdelen uitsluitend met een smeermiddel op teflonbasis.

OPMERKING: Bij gebruik van een niet op teflon gebaseerd smeermiddel kunnen de bewegende delen beschadigd raken.

8. Controleer wekelijks de pen van de parkeerrem om te verzekeren dat deze gemakkelijk contact maakt met de wielnaaf. Door deze eenvoudige controle wordt de veiligheid van de persoon in het mobiliteitsmiddel gewaarborgd. Smeer al naar gelang nodig is met een smeermiddel op teflon basis.
9. Controleer en reinig regelmatig de wielbevestigingspunten. Hier verzamelt zich het meeste vuil. Vuil in dit gebied kan de prestaties en veiligheid van het product beïnvloeden.

WAARSCHUWING

1. Voor optimale prestaties en om letsel door een falend product, schade of voortijdige slijtage te voorkomen, moet uw medische hulpmiddel regelmatig onderhouden.
2. Inspecteer en onderhoud dit product strikt volgens deze gebruikershandleiding.
3. Als u een probleem ontdekt, laat dan een servicebeurt of reparatie uitvoeren voordat het product weer wordt gebruikt.
4. Laat minstens één maal per jaar een volledige veiligheidscontrole en servicebeurt uitvoeren door uw leverancier.
5. Zand en zeewater (of zout in de winter) kan de rollagers van de voor- en achterwielen beschadigen. Maak de rolstoel grondig schoon nadat die aan zand en zeewater is blootgesteld.

B. REINIGING

Onderdelen basisframe:

- Maandelijks reinigen met water en een mild schoonmaakmiddel.

Bekleding:

- Op de hand wassen, als het nodig is.
- Wassen in de wasmachine, als het nodig is.
- Uitsluitend aan de lucht drogen. De hitte van een droogmachine kan het materiaal beschadigen.
- Brandwerendheid van beklede onderdelen overeenkomstig ISO 7176-16 (EN 1021-1/2).

OPMERKING: Het wassen van de stof kan de brandvertragende eigenschappen verminderen.

C. TIPS VOOR HET OPBERGEN

1. Berg het medische hulpmiddel in een schone, droge ruimte op. In een vochtige omgeving kunnen onderdelen roesten of corroderen.
2. Controleer voor het opbergen of het product goed functioneert. Controleer alle onderwerpen die in deze handleiding worden besproken en voer onderhoud uit.
3. Als u dit hulpmiddel langer dan drie maanden hebt opgeborgen, laat het dan voor gebruik controleren door de leverancier.

D. HERGEBRUIK/AFVALVERWERKING/RECYCLING VAN MATERIALEN** WAARSCHUWING**

Verstikkingsgevaar Houd verpakkingsmateriaal buiten bereik van kinderen.

Hygiënemaatregelen bij hergebruik:

Voordat de rolstoel door een nieuwe gebruiker in gebruik genomen wordt, moet de stoel zorgvuldig worden voorbereid. Alle oppervlaktes waarmee de gebruiker in aanraking komt, moeten behandeld worden met een desinfecterende spray.

Hiertoe moet u een desinfectiemiddel gebruiken dat in uw land is toegestaan/wordt geadviseerd voor snelle, op alcohol gebaseerde ontsmetting van medische producten en medische hulpmiddelen die snel gedesinfecteerd moeten worden.

Wees u bewust van en volg de instructies van de fabrikant van het desinfecterende middel dat u gebruikt.

Over het algemeen kan op de naden van de rolstoel geen volledige ontsmetting worden gegarandeerd. We adviseren zitting- en rugbanden (slings) te verwijderen volgens de voor u geldende wetgeving inzake infectiebescherming om microbacteriële bestemming met actieve agentia te voorkomen.

Wekelijks	Driemaandelijks	6 Maandelijks	Jaarlijks	Onderhoudstaken
○				Inspectie banden (overmatige slijtage, scheuren)
○				Parkeerremmen houden goed (slippen niet)
	○			Visuele controle op losse bevestigingsmaterialen
		○		Veiligheids- en positionering Gordels
		○		Assen en ashoezen (controleer op steenslag)
	○			Quick-release-as (Verwijderen en schoonmaken)
○				Banden van zwenkwielen: (Overmatige slijtage, scheuren)
	○			Zwenkwielen: (zijn op gelijke hoogte en bewegen soepel)
	○			Zitting-interface: (controleer op steenslag)
		○		Frame, vouwmechanisme
		○		Bekleding: (schoon en droog)
			○	Servicebeurt door erkende dealer

OPMERKING: Als het product aan u beschikbaar is gesteld als onderdeel van een uitleenprogramma voor medische hulpmiddelen, is het mogelijk niet uw eigendom. Wanneer u het medische hulpmiddel niet langer nodig hebt, volg dan de instructies betreffende de teruggave zoals u deze hebt ontvangen van de organisatie die het product aan u beschikbaar heeft gesteld.

In het volgende hoofdstuk vindt u, met het oog op de afvalverwerking of hergebruik van de in het product verwerkte materialen en het verpakkingsmateriaal, een omschrijving van het materiaal dat is gebruikt bij de productie van dit mobiliteitsmiddel. Mogelijk kent uw land of woonplaats specifieke wetgeving; neem deze wet- of regelgeving in overweging, wanneer u de rolstoel naar de afvalverwerking wilt brengen. (Het kan bijvoorbeeld zijn dat het product voor afvalverwerking gereinigd of ontsmet moet worden).

- Aluminium:** Frame van wandelwagen, frame van zitsysteem
Staal: Bevestigingspunten, assen, schroeven en bouten
Plastic: Duwstang, zwenkwielvorken, wielen, voetsteunen, banden, ontkoppelingshaak
Verpakkingsmateriaal: Plastic zakken gemaakt van zacht polyethyleen, karton.
Bekleding: Polyester, polyurethaanschuim

Afvalverwerking of recycling dient uitgevoerd te worden door een afvalverwerkingsbedrijf of op een plaatselijk afvaldepot. U kunt het product ook terugbrengen naar uw dealer voor verdere afvalverwerking

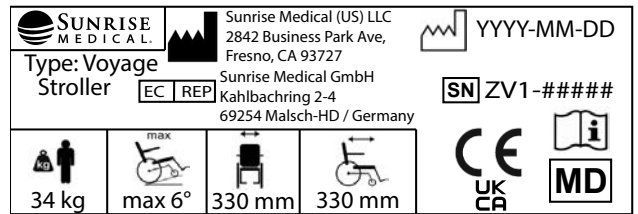
E. BESTELLEN VAN ONDERDELEN

Sticker

De sticker bevindt zich aan de onderkant van de zitting en is vermeld op een sticker in de gebruikershandleiding. Op de sticker met het serienummer staat ook de precieze naam van het model en andere technische gegevens. Wanneer u vervangingsonderdelen bestelt of een schadeclaim indient, moet u de volgende gegevens vermelden:

- Model van het product.
- Serienummer van het product.
- Het nummer, een beschrijving en het aantal dat u van dit onderdeel nodig hebt.
- Vermeld de reden van vervanging.

VOORBEELD



TYPE:	Naam product, SKU nummer
	Breedte zitsysteem.
	Diepte (max.)
	Maximale belasting.
	UKCA-keurmerk.
	CE-keurmerk.
	Raadpleeg de gebruiksaanwijzing
	Productiedatum.
	Serienummer.
	Dit symbool betekent Medisch apparaat.
	Adres fabrikant.
	Crashtest met goed gevolg doorstaan in overeenstemming met: ISO 7176-19:2008.
	Adres van de importeur
	Europese gevolmachtigde
	Verantwoordelijke persoon VK
	Het adres van de vertegenwoordiger in Zwitserland

XI. GARANTIE

DEZE GARANTIE DOET OP GEEN ENKELE WIJZE AFBREUK AAN UW RECHTEN.

Sunrise Medical* biedt haar klanten een wereldwijde garantie op mobiliteitshulpmiddelen, zoals bepaald in de garantievoorwaarden die het onderstaande dekken:

Garantievoorwaarden:

1. Indien een onderdeel of onderdelen van de Zippie Voyage binnen 24 maanden na levering aan de klant gerepareerd of vervangen moet(en) worden als gevolg van een fabricagefout en/of gebrek in het materiaal, wordt het betreffende onderdeel of de betreffende onderdelen kosteloos gerepareerd of vervangen.
2. Om de garantie ten uitvoer te brengen, kunt u contact opnemen met de klantenservice van Sunrise Medical met de exacte gegevens over het probleem. Indien u Zippie Voyage gebruikt buiten het gebied dat wordt gedekt door de klantenservice van Sunrise Medical, wordt de reparatie of vervanging uitgevoerd door een ander servicepunt dat door de fabrikant wordt aangewezen. De Zippie Voyage moet worden gerepareerd door een door Sunrise Medical aangewezen servicepunt (dealer).
3. Voor onderdelen die binnen het bereik van deze garantiebepalingen zijn gerepareerd of vervangen, bieden we een garantie in overeenstemming met deze garantievoorwaarden voor de resterende garantieperiode voor Zippie Voyage in overeenstemming met punt 1.
4. Voor reserveonderdelen die op kosten van de klant zijn gemonteerd, geldt een garantieperiode van 12 maanden (na montage) in overeenstemming met deze garantiebepalingen.
5. Verbruiksartikelen zoals kussens, banden, binnenbanden en soortgelijke onderdelen zijn van garantie uitgesloten, behalve wanneer voortijdige slijtage van het onderdeel het directe gevolg van een fabrieksfout is.
6. Vorderingen op basis van deze garantie kunnen niet worden uitgeoefend indien een reparatie of vervanging van de Zippie Voyage of een onderdeel daarvan noodzakelijk is vanwege de onderstaande redenen:
 - a. Het product of onderdeel is niet onderhouden in overeenstemming met de aanbevelingen van de fabrikant, zoals uiteengezet in de gebruikershandleiding en/of de onderhoudsinstructies.
 - b. Er zijn accessoires gebruikt die niet gespecificeerd zijn als originele onderdelen.
 - c. De Zippie Voyage of het onderdeel is beschadigd door nalatigheid, een ongeval of onjuist gebruik.
 - d. Er zijn veranderingen/wijzigingen aangebracht aan de Zippie Voyage of onderdelen die afwijken van de specificaties van de fabrikant.
 - e. Reparaties zijn uitgevoerd voordat onze Klantenservice is geïnformeerd over de omstandigheden.
7. Deze garantie wordt beheerst door het recht van het land waarin het product van Sunrise Medical werd aangekocht.

* Dit betekent de Sunrise Medical faciliteit waarvan het product werd aangekocht.



Sunrise Medical S.r.l.
Via Riva, 20 – Montale
29122 Piacenza
Italia
Tel.: +39 0523 573111
Fax: +39 0523 570060
www.SunriseMedical.it

Sunrise Medical AG
Erlenauweg 17
CH-3110 Münsingen
Schweiz/Suisse/Svizzera
Fon +41 (0)31 958 3838
Fax +41 (0)31 958 3848
www.SunriseMedical.ch

Sunrise Medical AS
Delitoppen 3
1540 Vestby
Norge
Telefon: +47 66 96 38 00
post@sunrisemedical.no
www.SunriseMedical.no

Sunrise Medical AB
Neogatan 5
431 53 Mölndal
Sweden
Tel.: +46 (0)31 748 37 00
post@sunrisemedical.se
www.SunriseMedical.se

MEDICCO s.r.o.
H – Park, Heršpická 1013/11d,
625 00 Brno
Czech Republic
Tel.: (+420) 547 250 955
Fax: (+420) 547 250 956
www.medicco.cz
info@medicco.cz
Bezplatná linka 800 900 809

Sunrise Medical Aps
Märkærvej 5-9
2630 Taastrup
Denmark
+45 70 22 43 49
info@sunrisemedical.dk
www.Sunrisemedical.dk

Sunrise Medical Australia
11 Daniel Street
Wetherill Park NSW 2164
Australia
Ph: +61 2 9678 6600
enquiries@sunrisemedical.com.au
www.SunriseMedical.com.au

Sunrise Medical (US) LLC
North American Headquarters
2842 N. Business Park Avenue
Fresno, CA, 93727, USA
(800) 333-4000
(800) 300-7502
www.SunriseMedical.com



Sunrise Medical GmbH
Kahlbachring 2-4
69254 Malsch/Heidelberg
Deutschland
Tel.: +49 (0) 7253/980-0
Fax: +49 (0) 7253/980-222
www.SunriseMedical.de

Sunrise Medical Ltd.
Thorns Road
Brierley Hill
West Midlands
DY5 2LD
England
Phone: 0845 605 66 88
Fax: 0845 605 66 89
www.SunriseMedical.co.uk

Sunrise Medical S.L.
Polígono Bakiola, 41
48498 Arrankudiaga – Vizcaya
España
Tel.: +34 (0) 902142434
Fax: +34 (0) 946481575
www.SunriseMedical.es

Sunrise Medical Poland
Sp. z o.o.
ul. Elektronowa 6,
94-103 Łódź
Polska
Telefon: + 48 42 275 83 38
Fax: + 48 42 209 35 23
E-mail: pl@sunrisemedical.de
www.Sunrise-Medical.pl

Sunrise Medical B.V.
Groningenhaven 18-20
3433 PE NIEUWEGEIN
The Netherlands
T: +31 (0)30 – 60 82 100
F: +31 (0)30 – 60 55 880
E: info@sunrisemedical.nl
www.SunriseMedical.nl



Sunrise Medical HCM B.V.
Vossenbeemd 104
5705 CL Helmond
The Netherlands
T: +31 (0)492 593 888
E: customerservice@sunrisemedical.nl
www.SunriseMedical.nl
www.SunriseMedical.eu
(International)

Sunrise Medical S.A.S
ZAC de la Vrillonnerie
17 Rue Mickaël Faraday
37170 Chambray-Lès-Tours
Tel : + 33 (0) 2 47 55 44 00
Email: info@sunrisemedical.fr
www.sunrisemedical.fr

