

Deliver to:	
Name:	
Street:	
Town:	Postal code:
E-Mail:	
Tel:	Fax:



Invoice to:	
Name:	
Street:	
Town:	Postal code:
E-Mail:	
Tel:	Fax:

Order date:
Purchase order:
Number required:

Marked for:
Sunrise order no:

Base Price £4,000

Max. user weight: 34kg



TECHNICAL DATE OVERVIEW

Standard Features

Seating System - Base Configuration

- Stepless seat width, depth, back height and lower leg length
- Angle adjustable footrest
- 80° - 180° backrest recline (lie-flat)
- Canopy
- Air exchange spacer fabric with incontinence protection
- 2 point padded positioning belt
- Lateral thoracic supports (pair)
- Head supports (pair)
- Lateral thigh supports (pair)
- Medial thigh support (Pommel)

Frame - Base Configuration

- Foot operated brake
- 12" rear tires & 8" front castors
- Front castor suspension & swivel locks
- Quick release wheels
- Angle adjustable push handle
- Forward & rearward facing seat
- Under carriage storage
- Transit tie-down brackets (Transit Approved)

FRAME VERSION

199BS9	●	Frame, silver	(incl. Storage basket and canopy; Base configuration see above)
199KJ11	●	Transit Option	

SEATING SYSTEM

199KM01	●	Comfort Seating	(Base configuration see above)
199KM02	●	Recline Feature	

SEAT SIZE (Pre set)

<input type="radio"/>	Small
<input type="radio"/>	Medium
<input type="radio"/>	Large

cm	Seat Width	Seat Depth	Legrest Length	Back Height	Lateral Position
Small	24	20	15	41	13
Medium	27	27	20	49	13
Large	30	34	23	57	20

CS note - please type 'small', 'medium' or 'large' into 'Add note' section on US configurator

Seat Depth:	20 – 33cm (excl. Upholstery)
Seat Width:	24 – 30cm, with insert up to 15.5cm (excl. Upholstery)
Back Height:	41 – 61cm (excl. Upholstery)
Seat Height:	57.5 – 64cm (3 steps possible 57.5 – 60 – 66.4cm)
Leg Length:	15.5 – 31cm
Angle Footplate:	50°
Overall Width	61.5
Overall Length	110cm
Overall Height	81 - 122cm
Weight Seat:	9.8kg
Weight Base:	12.7kg

ZIPPIE Voyage

● = Standard ○ = No cost option □ = Cost option

			£
UPHOLSTERY (Select upholstery colour)			
● Seat upholstery with incontinence protection, removable, breathable, spacer fabric, black w/ dots			
199KN01	○ Blue trim on upholstery		
199KN02	○ Red trim on upholstery		
199KN03	○ Beige trim on upholstery		
199KN04	○ Grey trim on upholstery		
POSITIONING - LATERALS			
199KO01	○ Laterals, padded, spacer fabric, height and width-adjustable, small	(10.5cm x 15 cm; pair)	
199KO02	○ Laterals, padded, spacer fabric, height and width-adjustable, large	(11cm x 20 cm; pair)	
POSITIONING - HIP GUIDES			
199KP01	○ Hip Guides, padded, spacer fabric, width-adjustable	(pair)	
199KP03	□ Seat insert (select with small seat for seat width down to 15.5cm)		30
POSITIONING - HEAD SUPPORT			
199VJ01	○ Head support, padded, spacer fabric, height and width-adjustable, small	(10.5cm x 15 cm; pair)	
199VJ02	○ Head support, padded, spacer fabric, height and width-adjustable, large	(11cm x 20 cm; pair)	
POSITIONING - POMMEL			
199KQ02	○ Pommel, padded, spacer fabric, triangular		
199KQ01	○ Pommel, padded, spacer fabric, rectangular		
GRAB BAR			
199KR01	● Grab Bar, padded, removable (not to be use in conjunction with tray)		
TYRES <small>Standard with quick release rear and front wheels, and front wheel suspension with caster swivel locks</small>			
199WQ07	● 12" rear wheels (Rubber Solid rubber tyres with maintenance free inserts) and 8" front castors - solid rubber tyres		
FOOTREST			
199F329	● Footboard, platform, composite, angle-adjustable, flip-up, heel loop, black		
FOOTREST ACCESSORIES			
199A68	□ Shoe Holders, 6" long	(pair - see back page 2)	90
199A69	□ Shoe Holders, 8" long	(pair - see back page 2)	90
199A79	□ Foot Straps with Covers, 16" length - only for use with above shoe holders	(pair - see back page 2)	45
199A80	□ Foot straps with Covers, 18" length - only for use with above shoe holders	(pair - see back page 2)	45
JAY ANTERIOR TRUNK SUPPORTS <small>(see back page 2 for details)</small>			
Anterior Trunk Support - (please select style - opening type)			
199JY01	□ Chest strap, lateral opening, dynamic (ATS8100 Series)		120
199JY06	□ Chest strap, central opening, dynamic (ATS8800 Series)		120
Anterior Trunk Support - (please select size)			
199JZ05	○ Early Intervention (select for small seat size)	(see backpage 2)	
199JZ06	○ Xtra-Small (select for medium seat size)	(see backpage 2)	
199JZ01	○ Small (select for large seat size)	(see backpage 2)	
JAY ANTERIOR PELVIC BELTS <small>(see back page 2 for details)</small>			
Standard 2 Point Belt - Push Button, small (1")			
199ZZ10	○ no Pad (APB5110)		
199ZZ11	○ with Pad, small (4.5" long pads) (APB5115)		
199ZZ12	○ with Pad, medium (5.5" long pads) (APB5116)		
Standard 2 Point Belt - Push Button large (1 1/2")			
199ZZ14	○ no Pad (APB7210)		
199ZZ15	○ with Pad, large (7.5" long pads) (APB7212)		
V-Contour Pelvic 4 Point Belt			
199ZZ23	□ with Pad, small size, small Push Button (1" wide buckle) (APB3716)		120
199ZZ24	□ with Pad, medium size, large Push Button (1.5" wide buckle) (APB3627)		120

ZIPPIE Voyage

● = Standard ○ = No cost option □ = Cost option

£

ACCESSORIES				
199LF1	<input type="checkbox"/>	Hardware for LTV ventilators, dovetail slot, vertical frame mounted	(max equipment weight limit 7 Kg)	260
199LF11	<input type="checkbox"/>	Hardware for Trilogy ventilators, dovetail slot, vertical frame mounted	(max equipment weight limit 7 Kg)	260
199LF2	<input type="checkbox"/>	Battery and Vent/Utility underframe tray, central mounted, incl. 1 Utility Hook	(max equipment weight limit 23 Kg)	335
199LF3	<input type="checkbox"/>	Utility platform, front mounted	(max equipment weight limit 23 Kg)	205
199LF4	<input type="checkbox"/>	Rear add-on Accessory platform (Glider board)	(max equipment weight limit 20 Kg)	120
199A713	<input type="checkbox"/>	Bottle holder, Oxygen Tank	(max equipment weight limit 4.5 Kg)	120
199A714	<input type="checkbox"/>	IV/O2 Combination		240
199LF5	<input type="checkbox"/>	Cup holder	(max. load 0.5 kg)	20
199LF7	<input type="checkbox"/>	Utility Hook	(Attention: risk of tipping)	20
	<input type="checkbox"/>	Tray, push-fit, height-adjustable (not in combination with Grab bar)	(angle adjustable hardware included)	
199A91	<input type="checkbox"/>	Light Grey		235
199A92	<input type="checkbox"/>	Clear Poly		235

Maximum weight limit (maximum user weight plus equipment) is 77kg

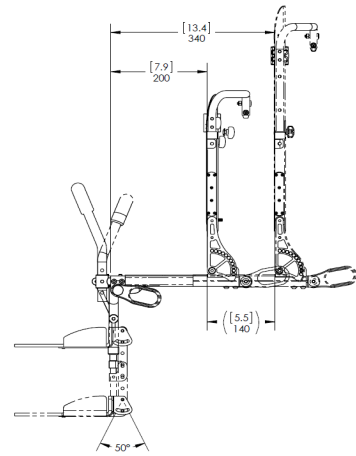
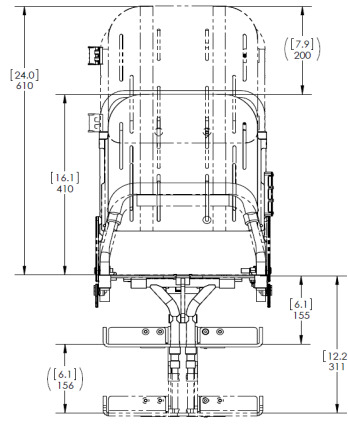
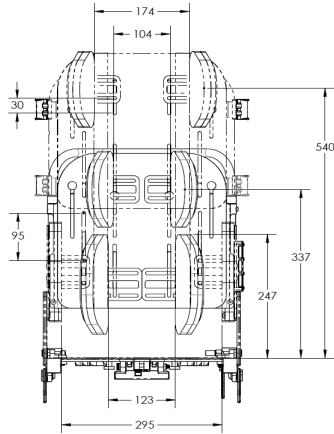
Table of maximum weight with different accessories - common combinations

Maximum user weight	Storage Basket	Dovetail Vent	Central Underframe tray	Front utility mount	IV pole	Oxygen Holder	Total user & equipment weight (must not exceed 77kg)
34kg	7kg	7kg	23kg	23kg	1kg	4.5kg	
●	●						41 kg
●		●		●			64 kg
●			●				57 kg
●		●		●	●	●	69.5 kg
●			●		●	●	62.5 kg

COMMENTS FOR SPECIAL BUILD:



Zippie Voyage - Base Price	£4,000
Option price	
Total Price	



Measurements Zippie Voyage

Seat Depth:	20 – 33cm (excl. Upholstery)
Seat Width:	24 – 30cm, with insert up to 15.5cm (excl. Upholstery)
Back Height:	41 – 61cm (excl. Upholstery)
Seat Height:	57.5 – 64cm (3 steps possible 57.5 – 60 – 66.4cm)
Leg Length:	15.5 – 31cm
Angle Footplate:	50°
Overall Width	61.5
Overall Length	110cm
Overall Height	81 - 122cm
Weight Seat:	9.8kg
Weight Base:	12.7kg

Accessories for Posture, Function and Medical Equipment



Dovetail Vertical Vent Mount (LTV/Trilogy)



Battery and Vent/Utility Underframe Tray



IV Support Pole



O2 Tank Holder



Upper Extremity Support Tray

Lifestyle and Functional Accessories



Front Mount Utility Platform



Rear Add On Accessory Platform



Cup Holder



Utility Hook

Anterior Trunk Support - Style

Lateral opening Dynamic (ATS8100)
(Butterfly style)



	DYNAMIC	A	B
EI	ATS8107	6.5"	9.75"
XS	ATS8100	7.5"	12.5"
S	ATS8101	8.5"	15"

Centre Opening Dynamic (ATS8800 Series)



	DYNAMIC	A	B
EI	ATS8807	5"	9.75"
XS	ATS8800	5.75"	11"
S	ATS8801	6.5"	12.25"

JAY Anterior Pelvic Belts

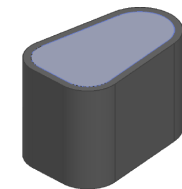
Standard 2 Point Belt - Push Button 1"
No Pad (APB5110)
4.5" Pad (APB5115)
5.5" Pad (APB5116)



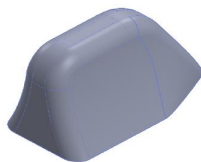
1" WEBBING	NON-PADDED	4.5" PAD	5.5" PAD
Single Pull	APB5110	APB5115	APB5116

1.5" WEBBING	NON-PADDED	7.5" PAD
Single Pull	APB7210	APB7212

V-Contour Pelvic 4 Point Belt
Push Button Varies



Rectangular Pommel



Triangular Pommel

